

BONNIE

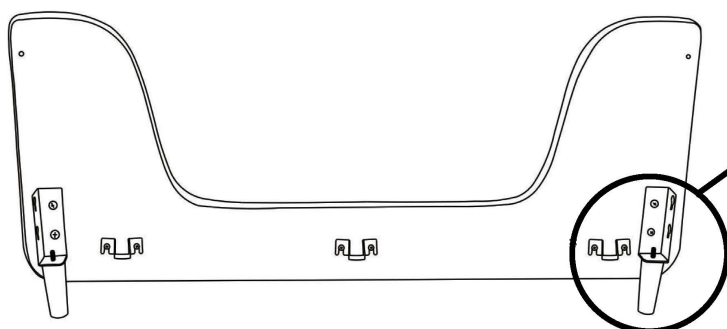
Junior Bed



- 2 Side Panels
- 2 Back Panels

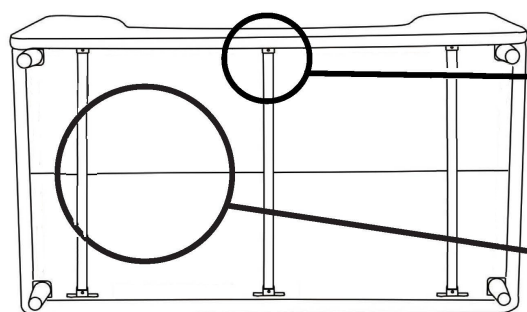
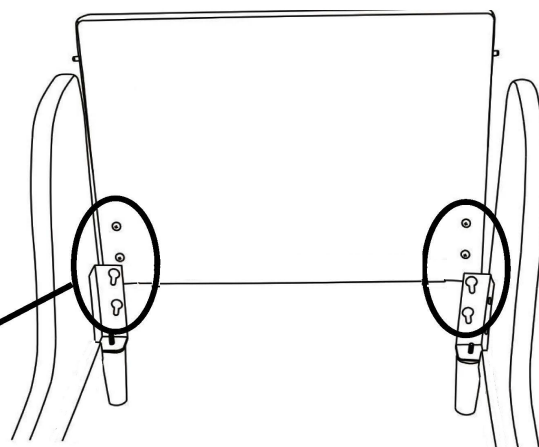
- 3 Wooden Stabilizer
- 2 Bottom Panels

- 4 side Brackets / 16 M8 Screws
- 4 Legs
- 6 Support Brackets 16 M6 screws
- 4 Dowels



For the side Panels, use 4x M8 Screws to attach the 2x side brackets and 8xM6 Screws to attach the 3x support brackets into the side panel.

To attach the back panel, insert the screws that are prescrewed, to the bracket on the side panels. Once they are inserted, press down on the panel to lock it in. Insert a wooden dowel into either side of the back panel and then press into the side panel to lock them together and offer extra support.



When finished attaching all panels, lay the wooden stabilizer between the two side panels, locking it into the holders.

The last step is to lay the bottom panels down, lining them up with the wooden supports on all sides of the bed frame.

CAUTION: ANY MATTRESS USED IN THIS TODDLER BED MUST BE AT LEAST 70cm x 1320mm with a minimum thickness of 100mm.

TODDLER BED WARNING

ENTRAPMENT/STRANGULATION HAZARD:

INFANTS HAVE DIED IN TODDLER BEDS FROM ENTRAPMENT AND STRANGULATION.

Failure to follow these warnings and the assembly instructions could result in serious injury or death from entrapment or strangulation.

NEVER use the bed with children under 15 months, maximum weight 23kg.

Do not suspend strings over the toddler bed for any reason or attach strings to toys.

WARNING INFANTS HAVE DIED IN TODDLER BEDS FROM ENTRAPMENT.

Openings in and between bed parts can entrap head and neck of small children.

NEVER use bed with children under 15 months.

ALWAYS follow assembly instructions.

WARNING STRANGULATION HAZARD

NEVER place bed near windows where cords from blinds or drapes may strangle a child.

NEVER suspend strings over the bed

NEVER place items with a string cord or ribbon, such as hood strings or pacifier cords, around child's neck. These items may catch on bed parts.

CAUTION ENTRAPMENT HAZARD

To avoid dangerous gaps, any mattress used in this bed must be sized 1320mm L x 700mm W and a minimum 100mm Thick.

FABRIC LIFESPAN IS RELATIVE TO ITS CARE AND USE. AVOID DIRECT SUNLIGHT. FABRIC MAY FADE OVER TIME. VACUUM REGULARLY. PROFESSIONAL CLEANING IS RECOMMENDED.

Il Tutto International Pty Ltd
PO Box 616
South Melbourne, Vic 3205
Australia
Ph: 1300 780 548
www.iltutto.com.au

