



Quinn

Electric Recliner Swivel & Glider Chair with USB

Item Number: ITI-QUI-EGG-E / ITI-QUI-P-GREY-E

Item Number: ITI-QUI-VAN-BOU-E

**IMPORTANT: PLEASE READ CAREFULLY AND RETAIN
THESE INSTRUCTIONS FOR FUTURE REFERENCE.**

SAFETY PRECAUTIONS

Please follow these instructions carefully to assemble your Quinn Recliner Chair.

If you are missing any parts or require some assistance please contact us via the contact details on this page.

MAXIMUM *WEIGHT LIMIT 130KG*

⚠ WARNING ⚠

ADULT ASSEMBLY REQUIRED:

DUE TO THE PRESENCE OF HEAVY PARTS DURING ASSEMBLY, KEEP OUT OF REACH OF CHILDREN UNTIL ASSEMBLY IS COMPLETE.

DO NOT SIT ON THE EDGE OF THE SEAT, ARMRESTS OR ON THE BACKREST AS THIS COULD CAUSE THE CHAIR TO TIP OVER.

DO NOT USE THE CHAIR AS A STEP STOOL.

DO NOT LEAVE CHILDREN UNATTENDED ON OR BESIDE THE CHAIR.

Assembly Instructions

Your QUINN RECLINER CHAIR has been designed in Australia by Il Tutto International Pty Ltd with safety and comfort in mind.

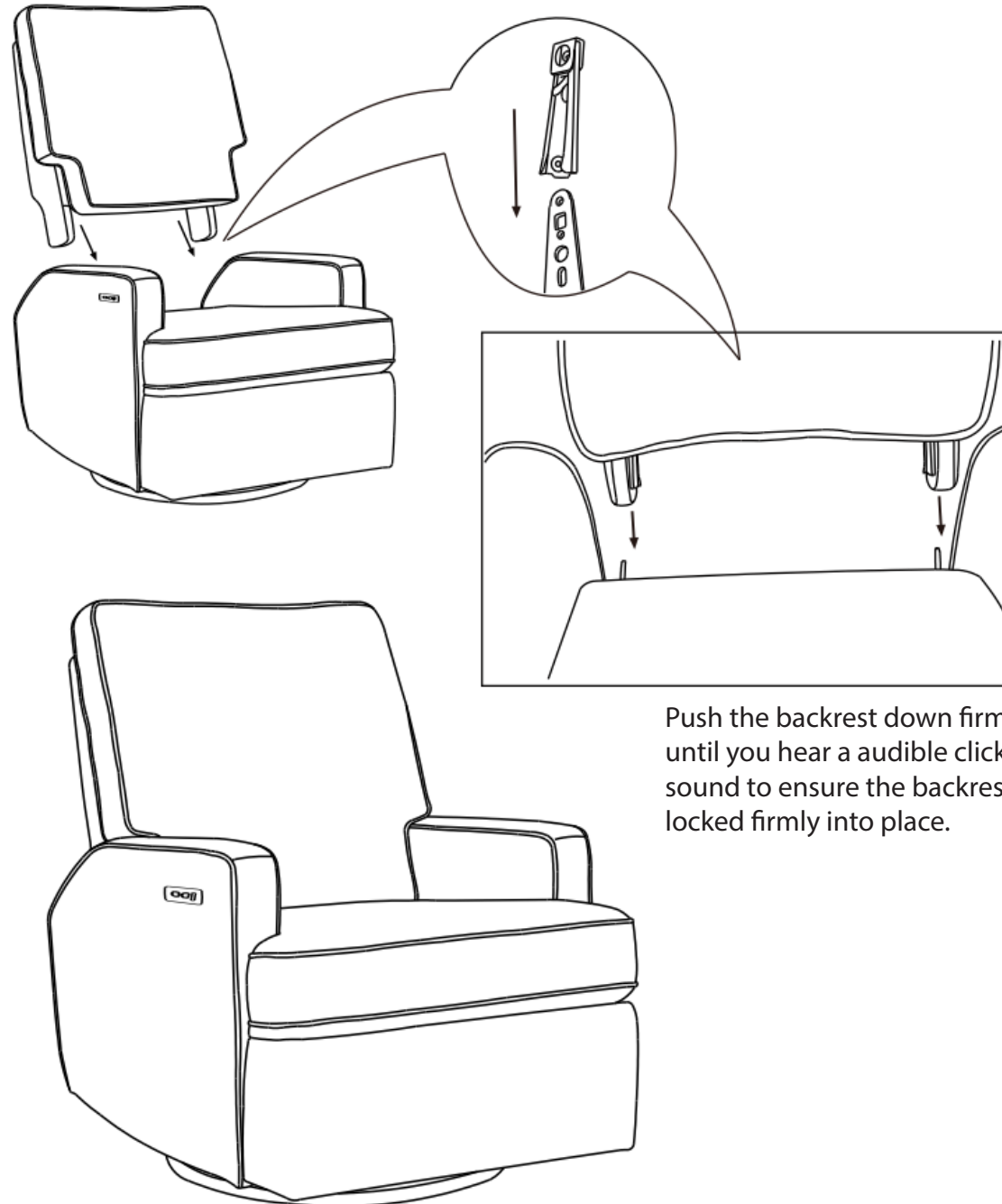
Please read all instructions carefully before and during assembly and use of this chair.

Do not allow children to play near or on the chair during assembly or use.

Dispose of all packaging material immediately after assembly.

We recommend 2 people assemble the chair.

Keep these instructions for future reference.



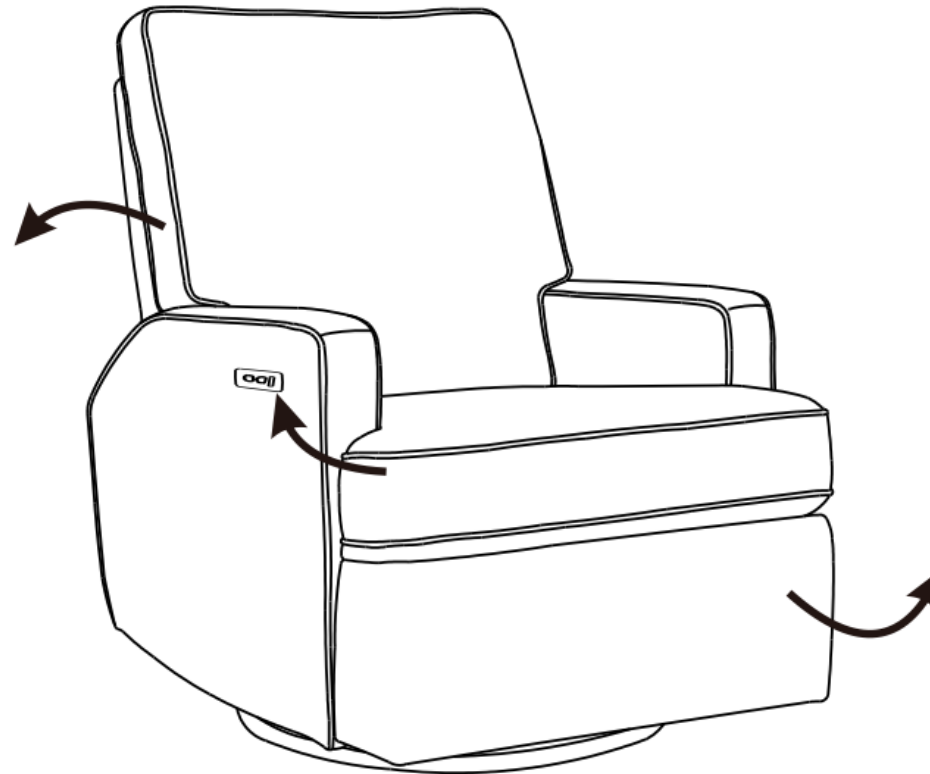
Push the backrest down firmly until you hear a audible clicking sound to ensure the backrest is locked firmly into place.

OPERATING THE RECLINE POSITION

1. To recline the chair and release the foot-rest, push one button on the side of the chair.

2. To retract the chair back into the upright position, push the 2nd button on the side of the chair to replace it back into the upright position.

3. USB port is located on the side of the chair for you to charge your device.



CAUTION: Do not allow children to play on this electronic chair or operate the mechanism. The leg rest folds down on closing and could possibly injure a child if they are near the folding mechanism. Do not leave children unattended on or near the chair. Always leave the chair in an upright and closed position. Keep hands and feet clear of mechanism. Only the adult occupant should operate the chair.



CAUTION

RISK OF ELECTRIC SHOCK.

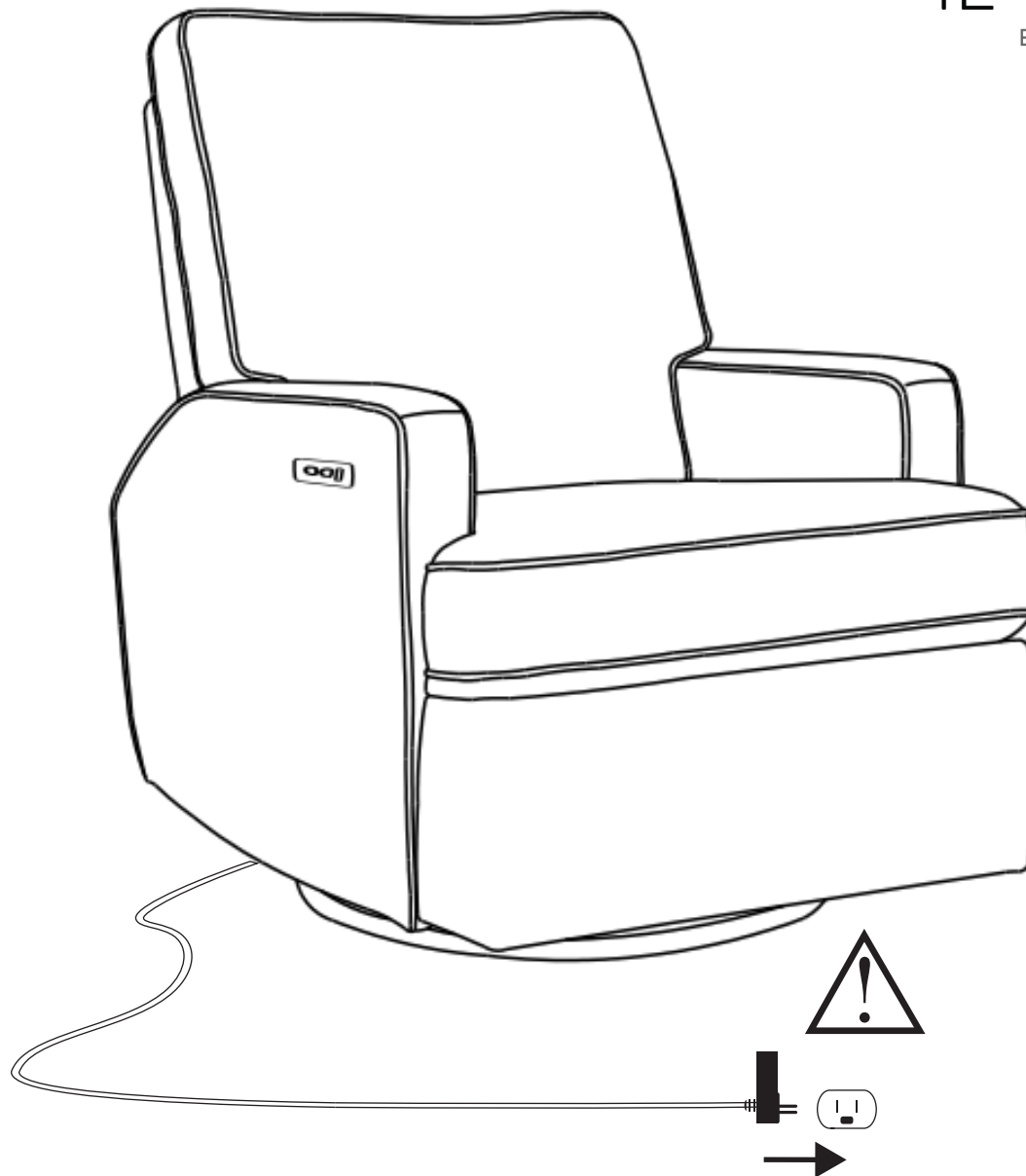
USE IN DRY LOCATION ONLY.

POWER CORD SAFETY

UNPLUG AND REMOVE POWER CORD FROM THE WALL AND THE BACK OF THE ELECTRONIC CHAIR WHEN NOT IN USE. STORE THE CORD OUT OF REACH OF CHILDREN.

DANGER

TO REDUCE THE RISK OF ELECTRIC SHOCK;
ALWAYS UNPLUG THE POWERED ELECTRONIC CHAIR FROM THE ELECTRICAL OUTLET BEFORE CLEANING.





**RISK OF FIRE.
MAKE SURE THE POWER
CORD IS NOT UNDER THE
METAL BASE OF THE ELEC-
TRONIC CHAIR. THIS IS A
FIRE HAZARD.**

POWER CORD SAFETY

**UNPLUG AND REMOVE
POWER CORD FROM THE
WALL AND THE BACK OF THE
ELECTRONIC CHAIR WHEN
NOT IN USE. STORE THE
CORD OUT OF REACH OF
CHILDREN.**

**DANGER
TO REDUCE THE RISK OF
ELECTRIC SHOCK;
ALWAYS UNPLUG THE POW-
ERED ELECTRONIC CHAIR
FROM THE ELECTRICAL
OUTLET BEFORE CLEANING.**



iL TUTTO
Est. 2007

CLEANING & MAINTENANCE

Wipe clean with a damp cloth. Use mild soap if required.

Do not use bleach.

Treat spills and stains as soon as possible.

Made in China.

Seat Lining 100% Polyester

Seat Filling Polyester/ Polyurethane Foam

Always check parts regularly and tighten or replace any screws, nuts or fasteners if required. Always contact us immediately if you have any concerns or require any spare parts for your Quinn recliner chair. Only use Il Tutto replacement parts.

If you require assistance with assembly please contact us via the information on this page.



SAFETY STANDARDS

The electrical component of this chair has been tested to the following standards.

AS/NZS CISPR 14.1:2013

IEC 60335-1:2010 +A1:2013 +A2:2016

AS/NZS 60335.1:2011 + A1:2012 + A2:2014 + A3:2015

**Il Tutto
International
Pty Ltd**

PO Box 45

Bulimba Q 4171

Australia

Ph: 1300 780 548

www.iltutto.com.au

hello@iltutto.com



Visit our channel for videos!

<https://www.youtube.com/@iltutto/videos>