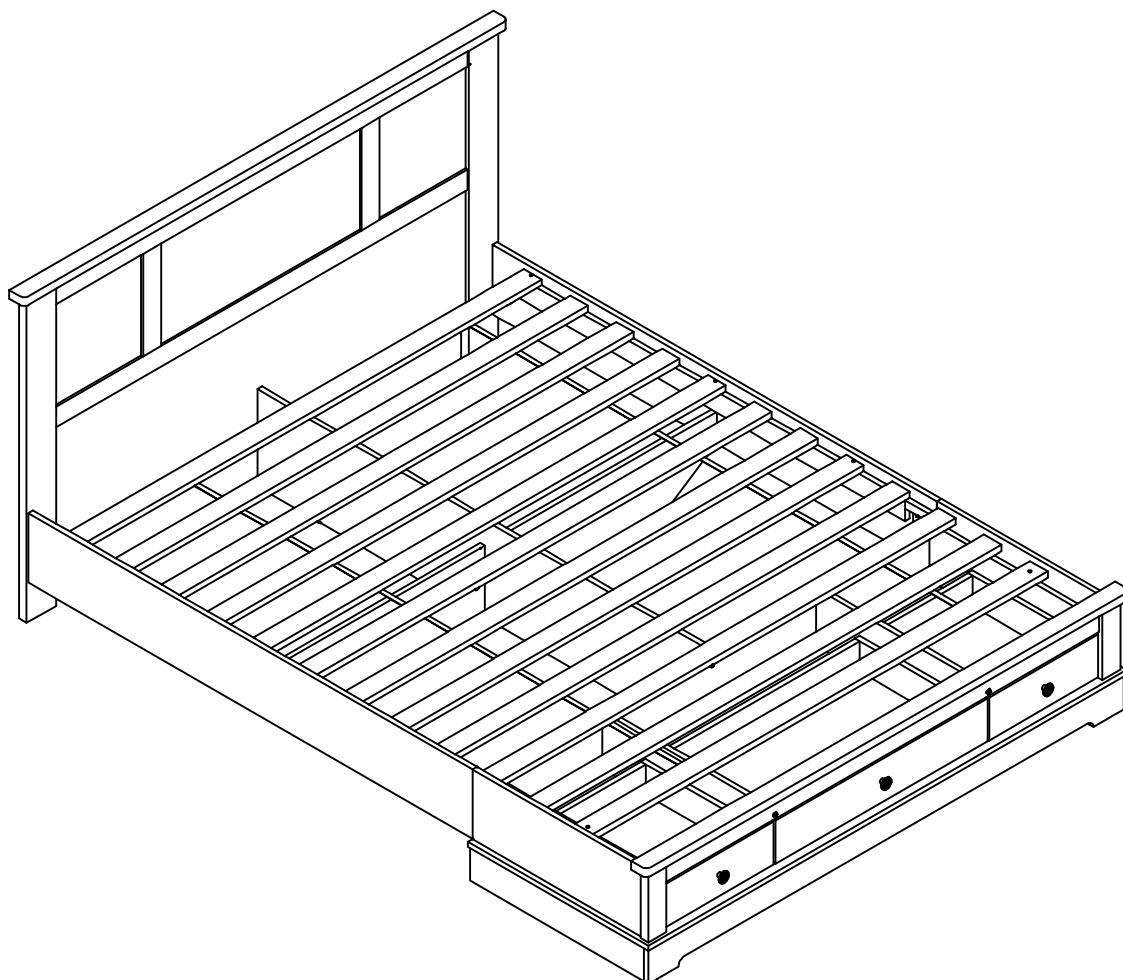


# Assemble Instructions

## COCO Series



# Lifely\*

Product Code

CCO-DEBED137-WHT

King Bed Frame

Dimensions(W x D x H)

1995\*460\*950mm

---

### Important

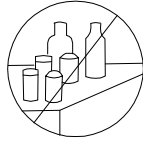
Please read through instructions carefully  
Before assembly and keep for future reference.

For our full catalogue of assembly instructions,  
Visit:[lifely.com.au/assembly](http://lifely.com.au/assembly).

## Important Tips and Maintenance



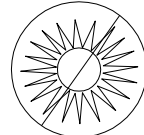
1. Keep children and animals away from working area as smaller parts may cause choking if swallowed



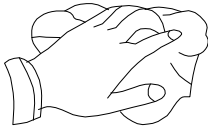
2. Never place liquids or anything damp upon furniture as it will mark, Ensure a coaster or running is beneath.



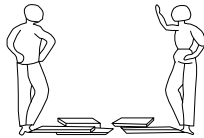
3. New use ammonia based cleaning products as it will damage the finish.



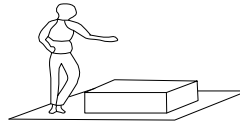
4. To avoid fading, keep furniture out of direct sunlight.



5. Use a soft or damp cloth (dry cloth) when wiping or cleaning surface.



6. Two person are required



7. Lay a soft mat down to protect the furniture pieces before and during assembly.

So your relationship is strong. But is it flat-pack furniture strong? Unless you're an aerospace engineer, assembling furniture can be slightly stressful. We recommend meditating quietly, pouring yourself a herbal tea (or slightly less herbal wine) and tackling things one step at a time. If you feel a passive aggressive remark coming on, try a compliment instead. E.g. "You're so good looking".

This 49-Step assembly should take around 75 minutes with an Allen Key-or 55 minutes with an electric drill.

Godspeed.

Designed for everyday

# Components Hardware

Please check you have all the fittings  
part or tools are listed in below.

No.A  
Quantity:66Pcs  
Cam Bolt



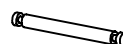
No.A  
Quantity:66Pcs  
Cam Nut



No.B  
Quantity:88Pcs  
Dowel



No.C  
Quantity:12Pcs  
Double Head Bolt



No.C  
Quantity:24Pcs  
Cam Nut



No.D  
Quantity:48Pcs  
Screw M3.5\*35mm



No.E  
Quantity:4Pcs  
Connect Metal Sheet



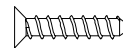
No.F  
Quantity:74Pcs  
Screw M3.5\*14mm



No.G  
Quantity:4Pcs  
Plastic Hammer Head Screw



No.H  
Quantity:12Pcs  
Screw M3.5\*25mm



No.I  
Quantity:4Pcs  
Angle Iron



No.J  
Quantity:2Pcs  
Dowel



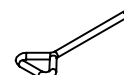
No.K  
Quantity:3Pcs  
Handle



No.L  
Quantity:3Pcs  
Drawer Runner



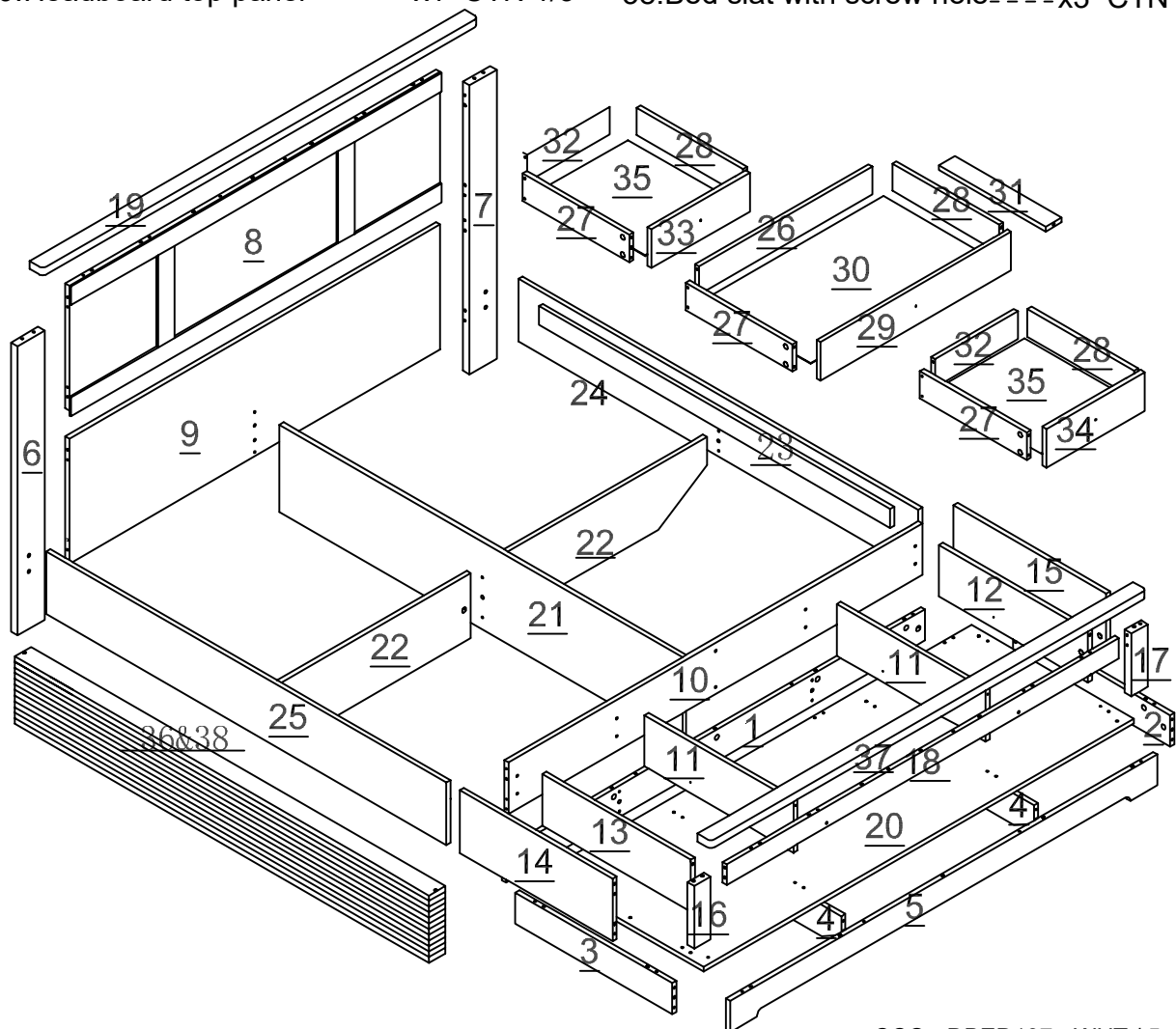
No.M  
Quantity:1Pcs  
Screwdriver



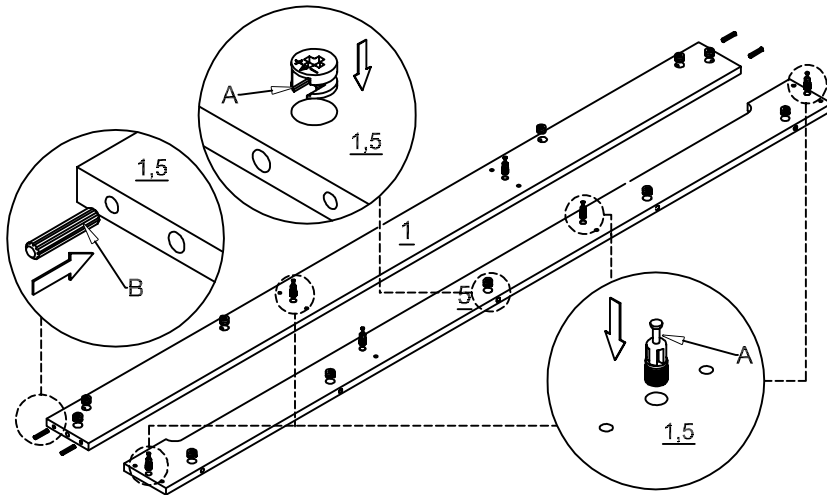
## Components Panels & Part List

Please check you have all the panels  
are listed below.

1. Backleg footboard -----x1	CTN 1/3	20. Bottom panel footboard ----x1	CTN 1/3
2. Side leg footboard right ---x1	CTN 2/3	21. Centre rail bed -----x1	CTN 3/3
3. Side leg footboard left ----x1	CTN 2/3	22. Left support bed -----x2	CTN 2/3
4. Middleleg footboard -----x2	CTN 2/3	23. Side support brace-----x2	CTN 1/3
5. Frontleg footboard -----x1	CTN 1/3	24. Right side rail panel -----x1	CTN 3/3
6. Large pillar leg left-----x1	CTN 1/3	25. Left side rail panel-----x1	CTN 3/3
7. Large pillar leg right-----x1	CTN 1/3	26. Large drawer back -----x1	CTN 2/3
8. Headboard upper-----x1	CTN 2/3	27. Drawer side left-----x3	CTN 1/3
9. Headboardlower -----x1	CTN 2/3	28. Drawer side right-----x3	CTN 1/3
10. Back panel footboard-----x1	CTN 3/3	29. Large drawerfront -----x1	CTN 2/3
11. Middle panel footboard---x2	CTN 1/3	30. Large drawer base -----x1	CTN 1/3
12. Inner right side footboard__x1	CTN 1/3	31. Drawer base support rail ---x1	CTN 2/3
13. Inner left side footboard_---x1	CTN 1/3	32. Small drawer back -----x2	CTN 2/3
14. Outer left side footboard ___x1	CTN 2/3	33. Small drawer front left-----x1	CTN 2/3
15. Outer right side footboard__x1	CTN 2/3	34. Small drawer front right-----x1	CTN 2/3
16. Small pillar leg left -----x1	CTN 2/3	35. Small drawer base-----x2	CTN 1/3
17. Small pillar leg right-----x1	CTN 2/3	36. Bed slat-----x9	CTN 3/3
18. Footboard top crossbar-----x1	CTN 2/3	37. Footboard top panel-----x1	CTN 1/3
19. Headboard top panel-----x1	CTN 1/3	38. Bed slat with screw hole----x3	CTN 3/3



# STEP1



No.A  
Quantity:6Pcs  
Cam Bolt



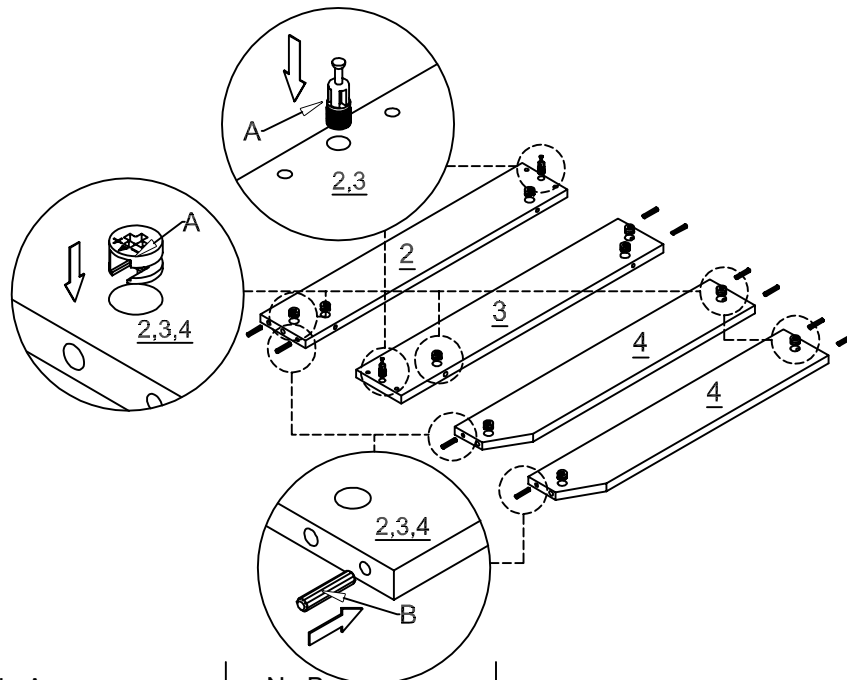
No.A  
Quantity:11Pcs  
Cam Nut



No.B  
Quantity:4Pcs  
Dowel



# STEP2



No.A  
Quantity:2Pcs  
Cam Bolt



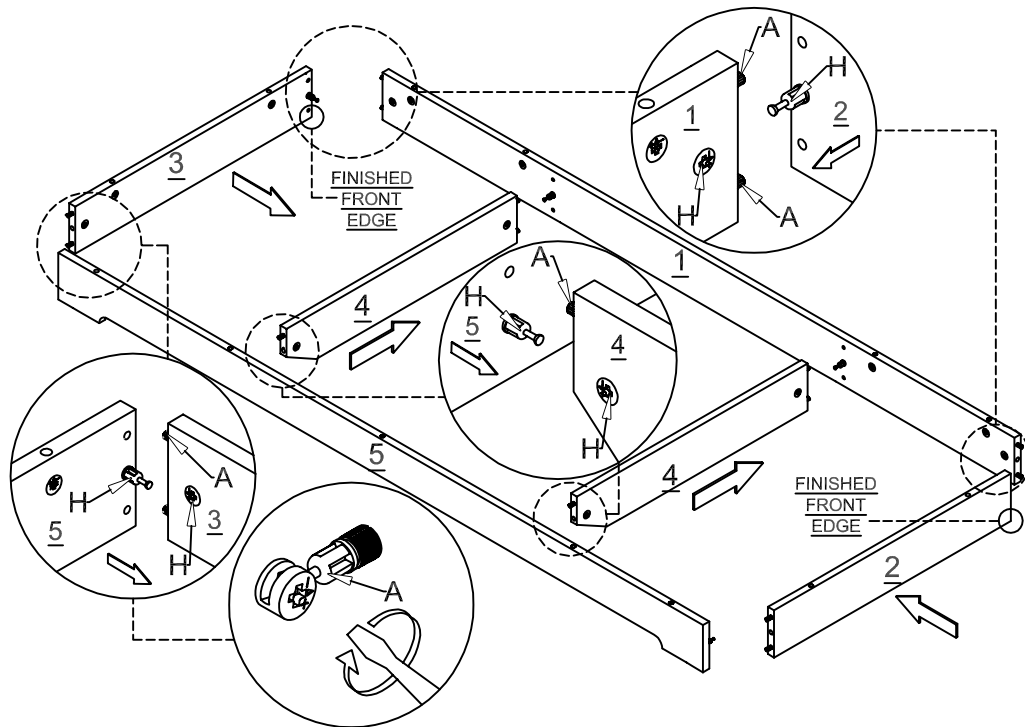
No.A  
Quantity:10Pcs  
Cam Nut



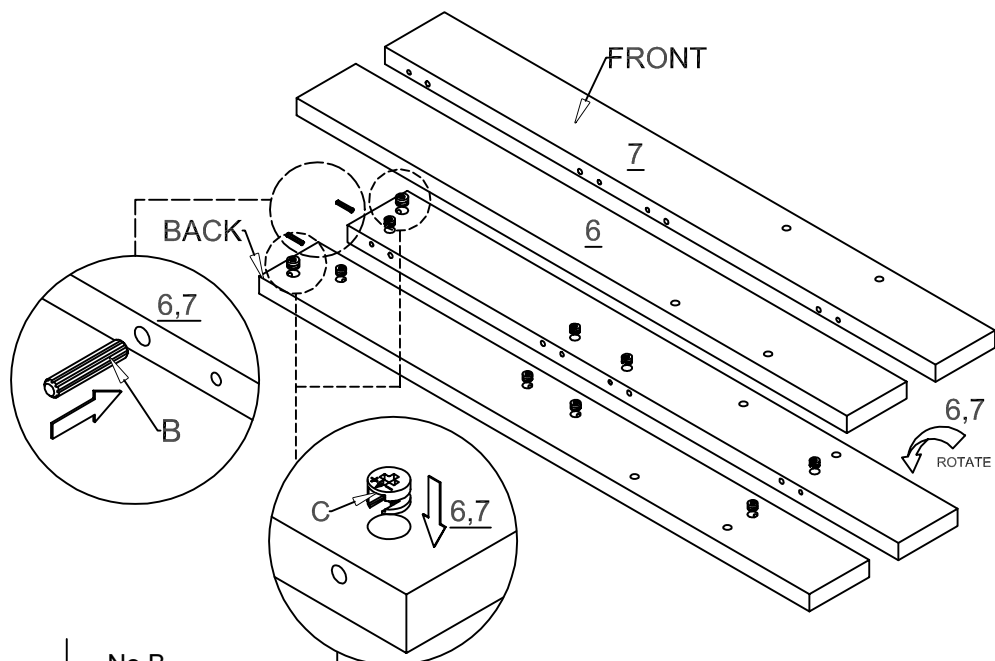
No.B  
Quantity:10Pcs  
Dowel



# STEP3



# STEP4



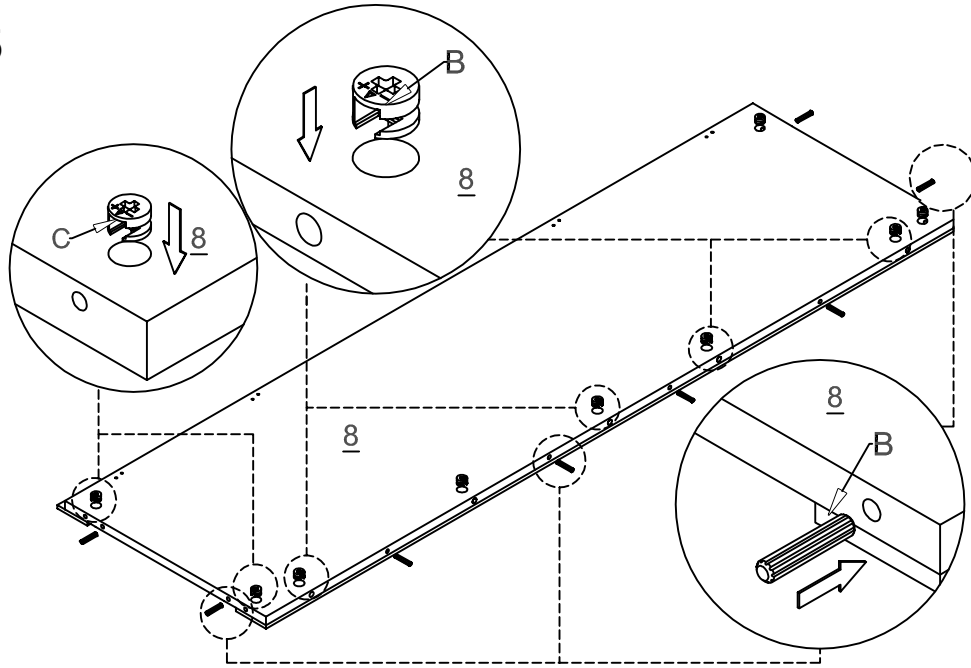
No.C  
Quantity:10Pcs  
Cam Nut



No.B  
Quantity:2Pcs  
Dowel



# STEP5



No.A  
Quantity:5Pcs  
Cam Nut



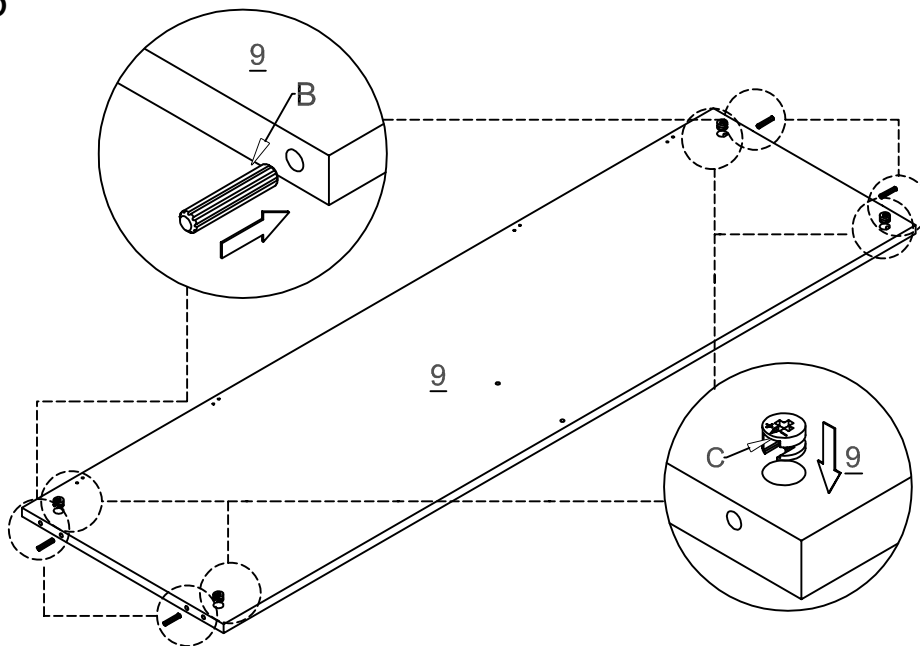
No.B  
Quantity:8Pcs  
Dowel



No.C  
Quantity:4Pcs  
Cam Nut



# STEP6



No.B  
Quantity:4Pcs  
Dowel

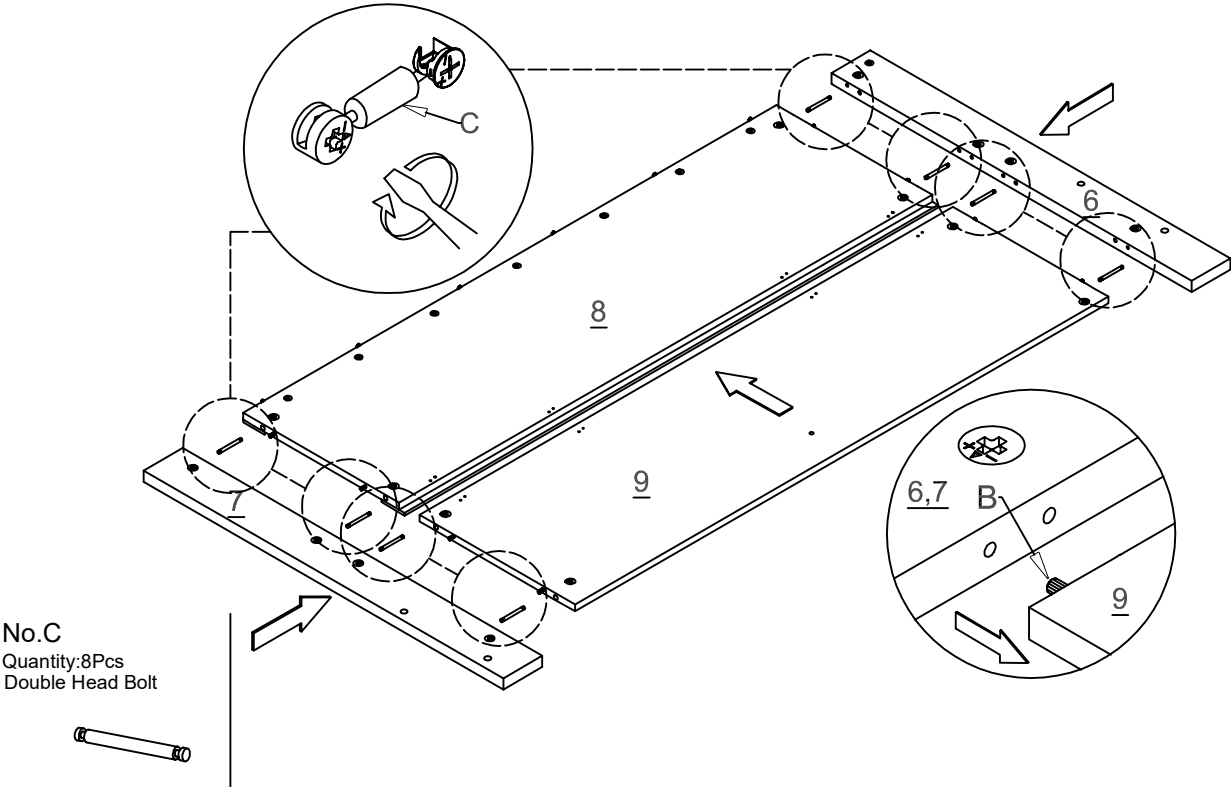


No.C  
Quantity:4Pcs  
Cam Nut

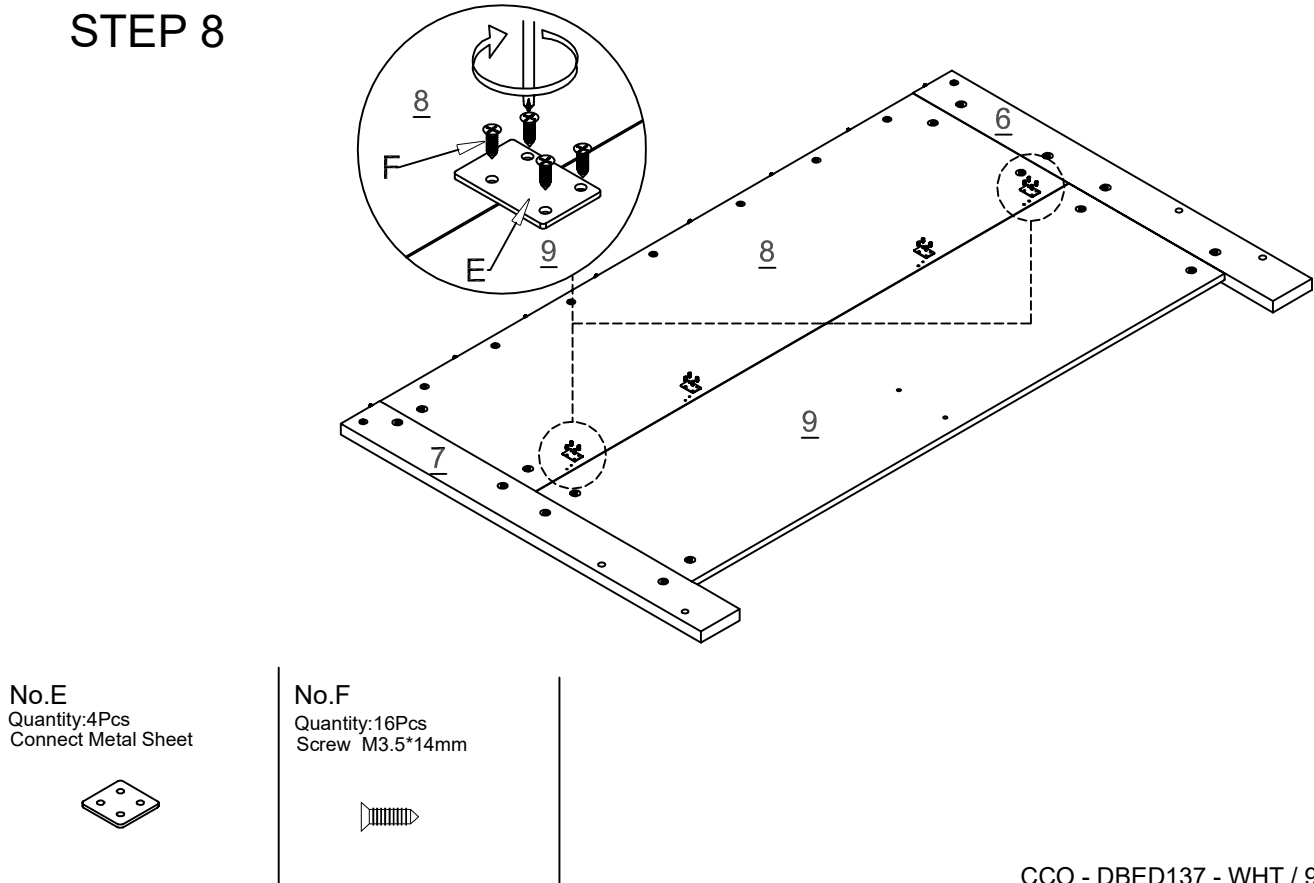




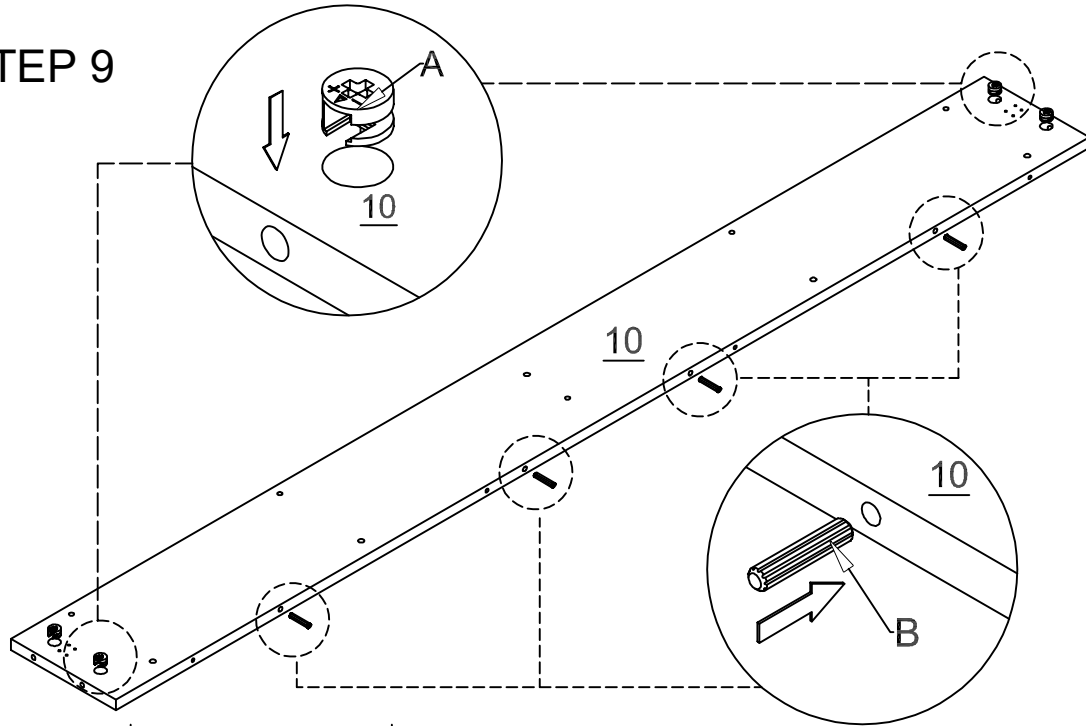
# STEP 7



# STEP 8



# STEP 9



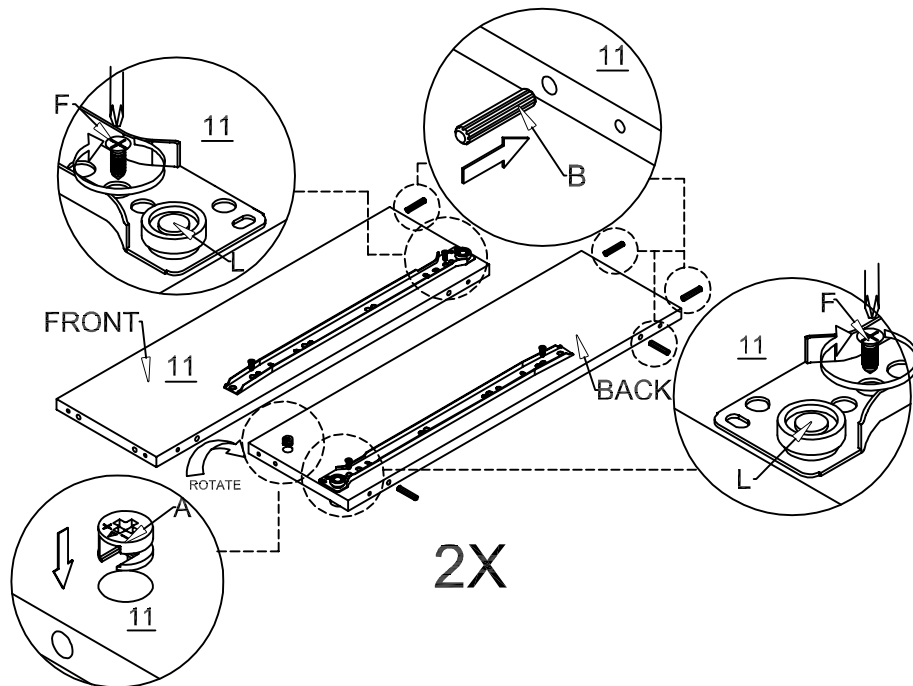
No.A  
Quantity:4Pcs  
Cam Nut



No.B  
Quantity:4Pcs  
Dowel



# STEP 10



No.A  
Quantity:2Pcs  
Cam Nut



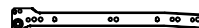
No.B  
Quantity:10Pcs  
Dowel



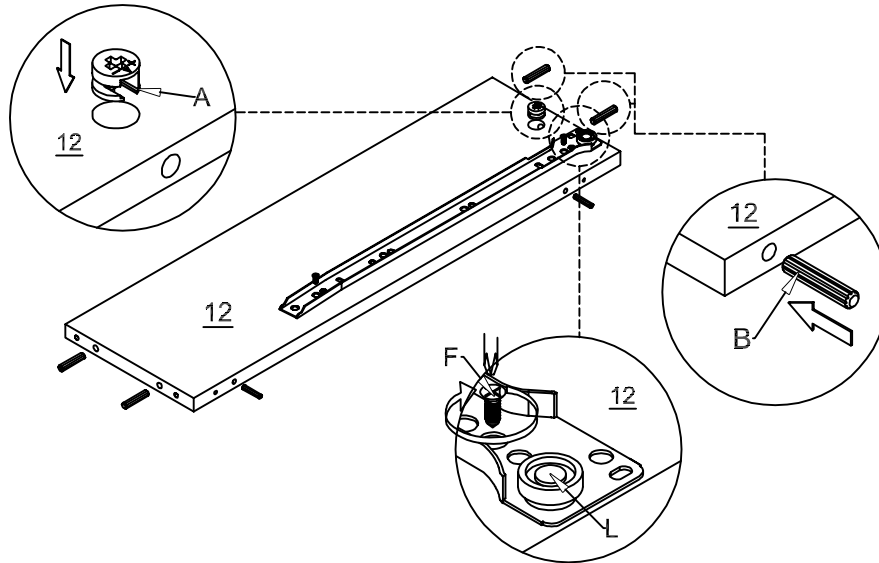
No.F  
Quantity:8Pcs  
Screw M3.5\*14mm



No.L  
Quantity:4Pcs  
Drawer Runner



## STEP 11



No.A  
Quantity:1Pcs  
Cam Nut



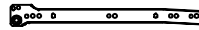
No.B  
Quantity:6Pcs  
Dowel



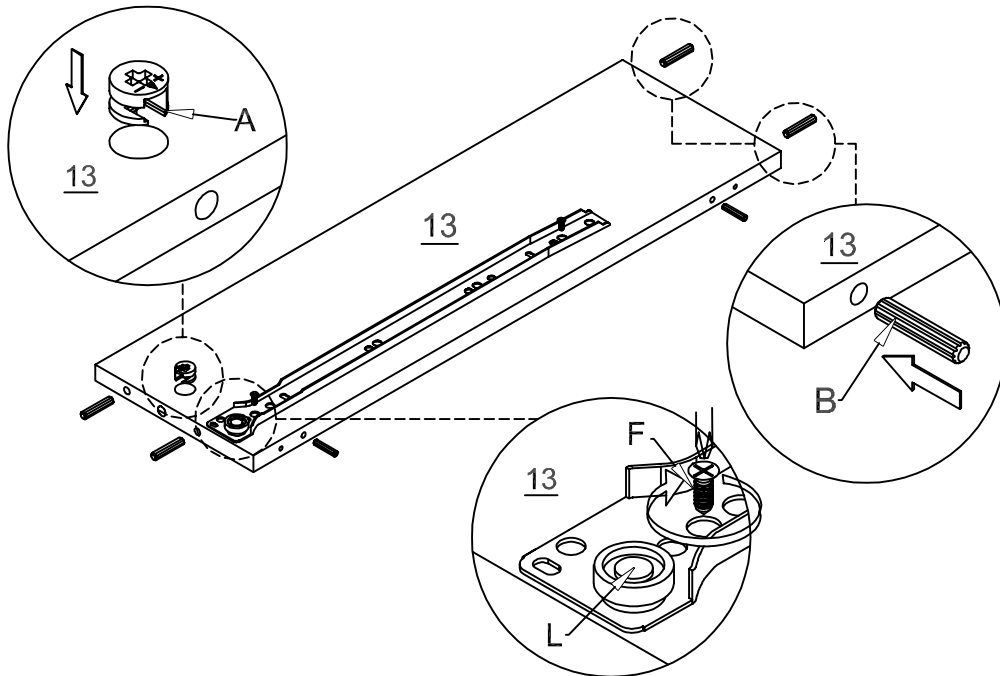
No.F  
Quantity:2Pcs  
Screw M3.5\*14mm



No.L  
Quantity:1Pcs  
Drawer Runner



## STEP 12



No.A  
Quantity:1Pcs  
Cam Nut



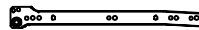
No.B  
Quantity:6Pcs  
Dowel



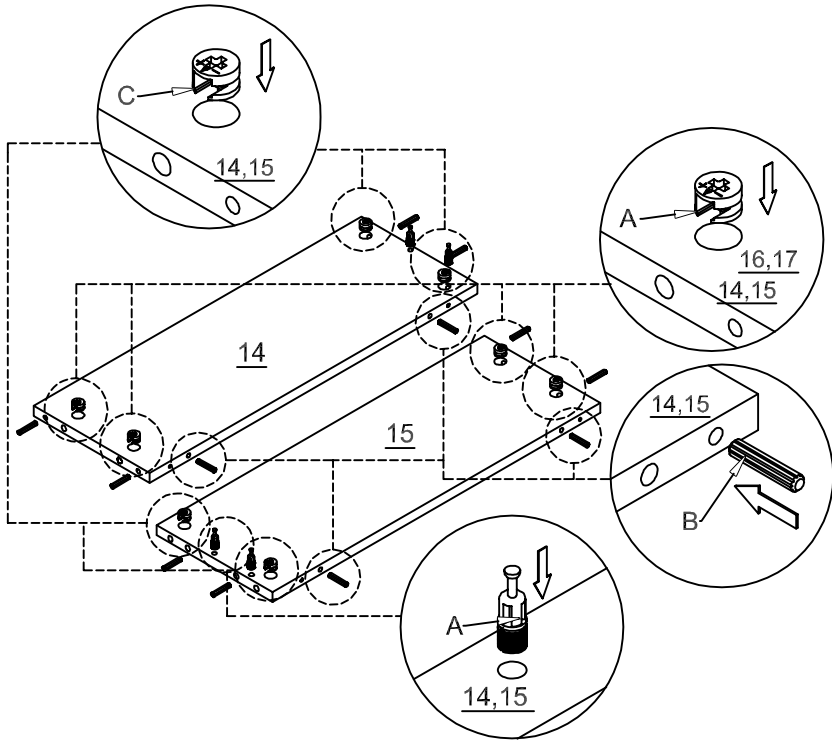
No.F  
Quantity:2Pcs  
Screw M3.5\*14mm



No.L  
Quantity:1Pcs  
Drawer Runner



# STEP 13



No.A  
Quantity:4Pcs  
Cam Bolt



No.A  
Quantity:4Pcs  
Cam Nut



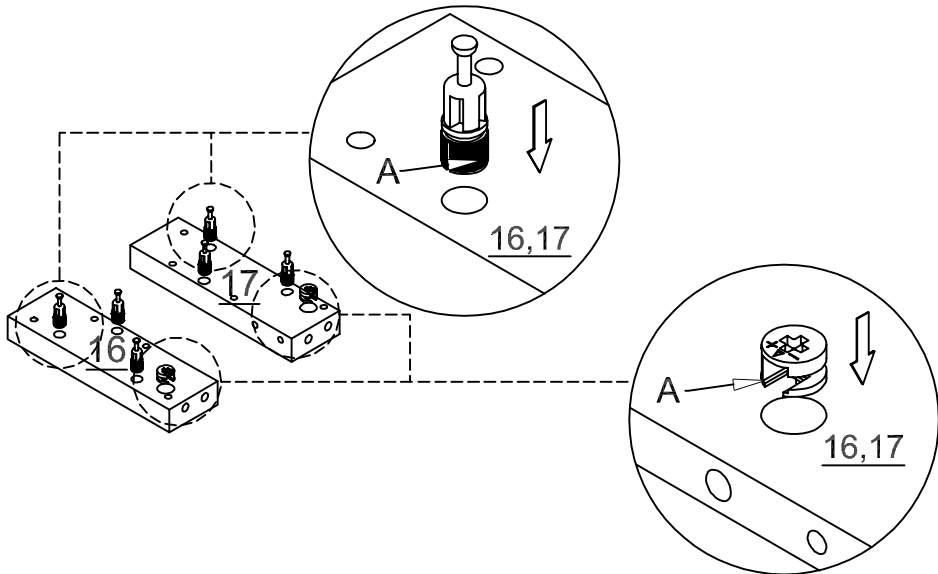
No.B  
Quantity:12Pcs  
Dowel



No.C  
Quantity:4Pcs  
Cam Nut



# STEP 14



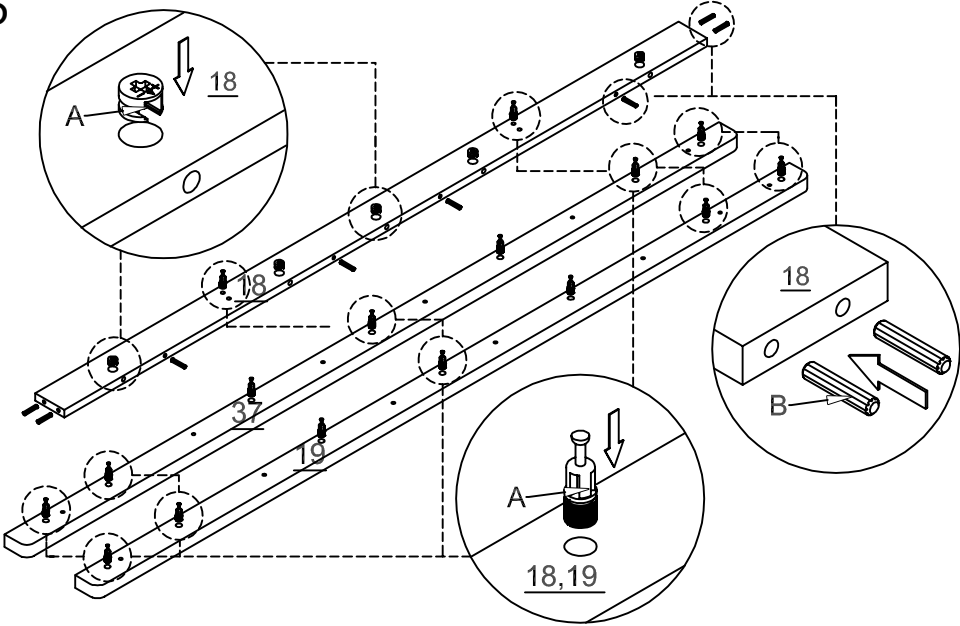
No.A  
Quantity:6Pcs  
Cam Bolt



No.A  
Quantity:2Pcs  
Cam Nut



# STEP 15



No.A  
Quantity:16Pcs  
Cam Bolt



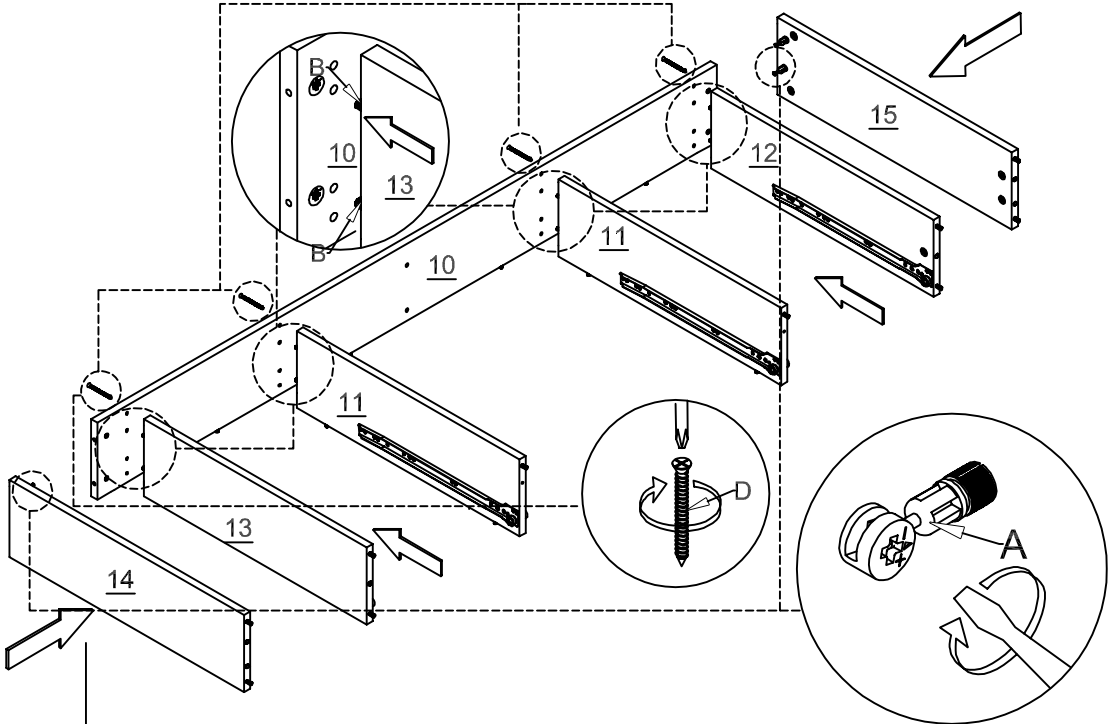
No.A  
Quantity:5Pcs  
Cam Nut



No.B  
Quantity:8Pcs  
Dowel



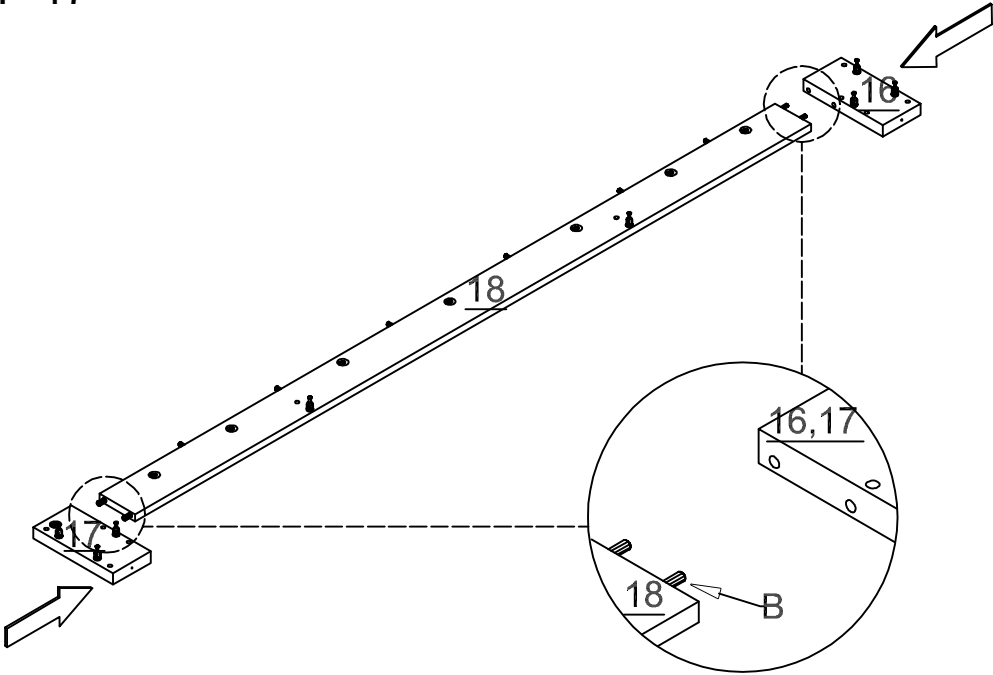
# STEP 16



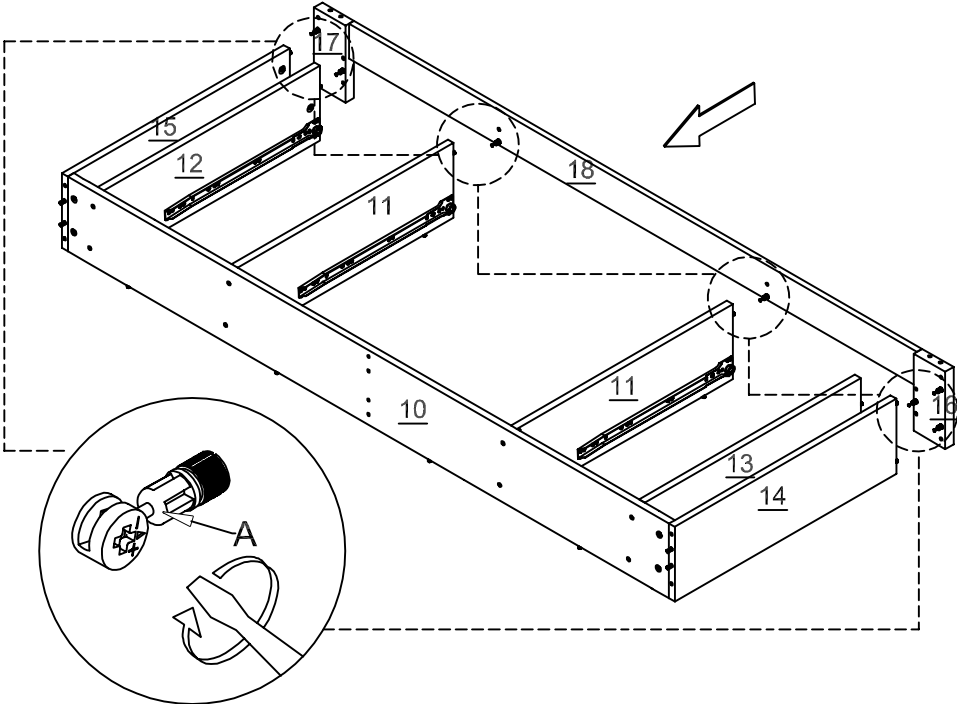
No.D  
Quantity:8Pcs  
Screw M3.5\*35mm



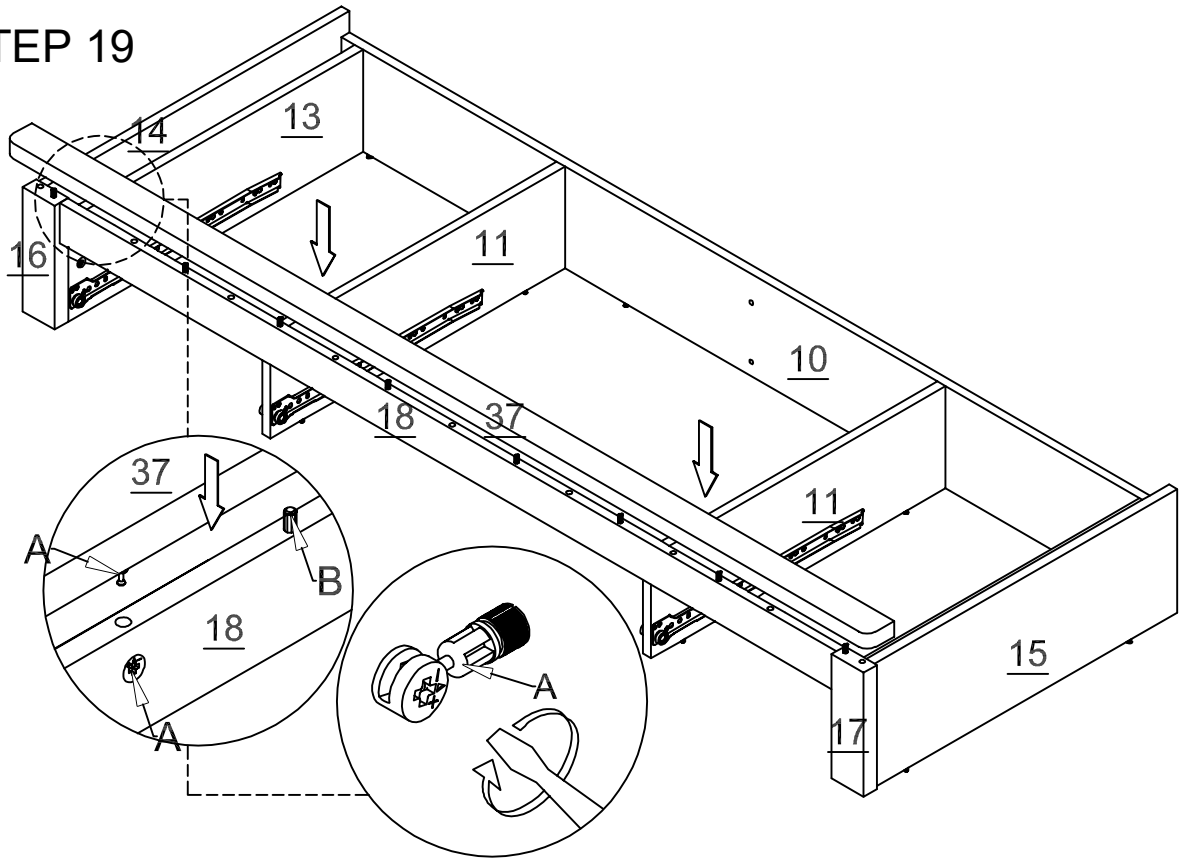
STEP 17



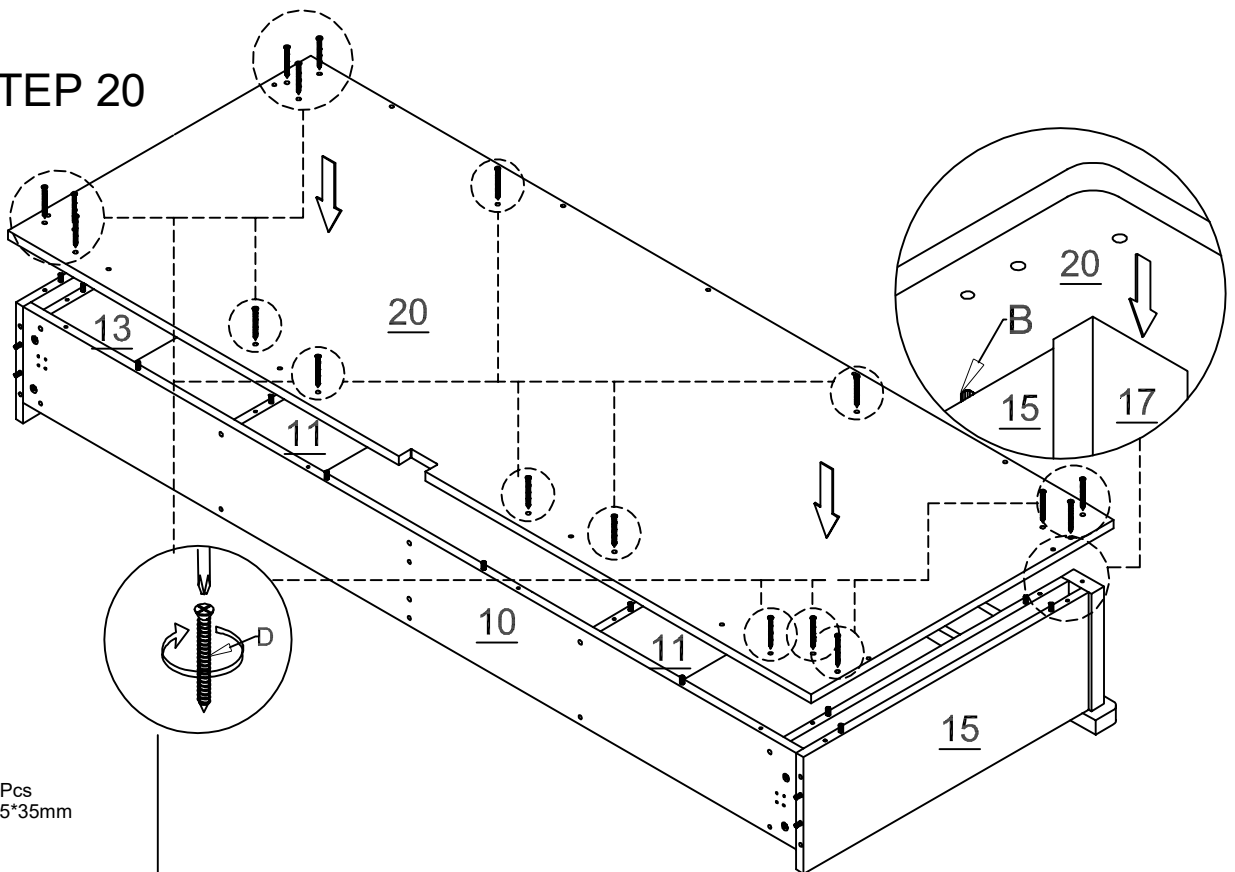
STEP 18



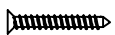
# STEP 19



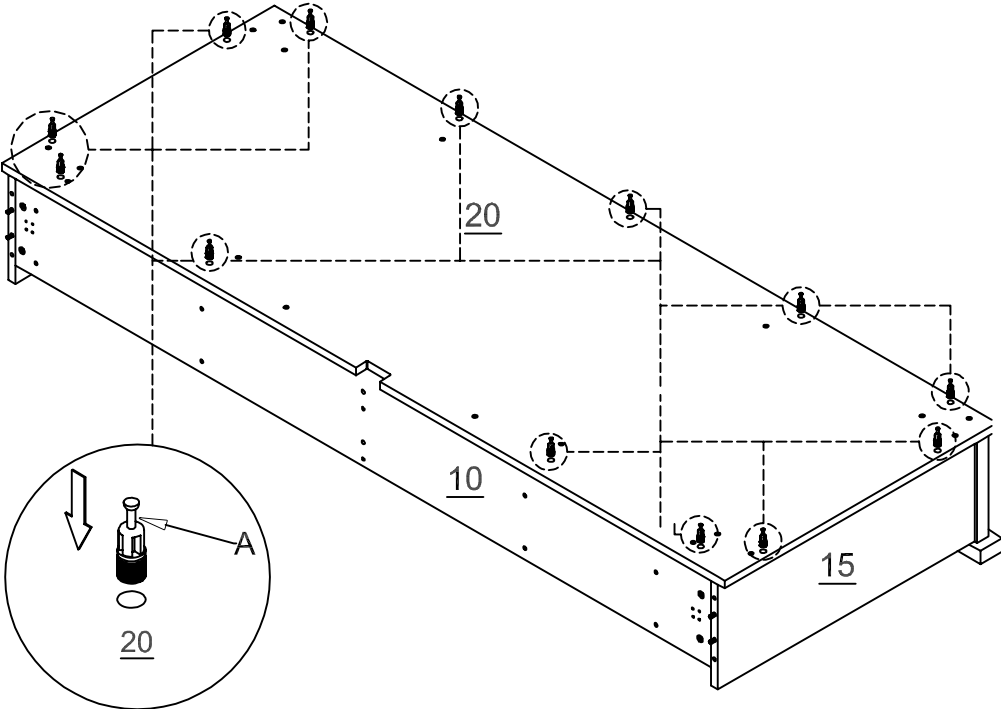
# STEP 20



No.D  
Quantity: 18Pcs  
Screw M3.5\*35mm



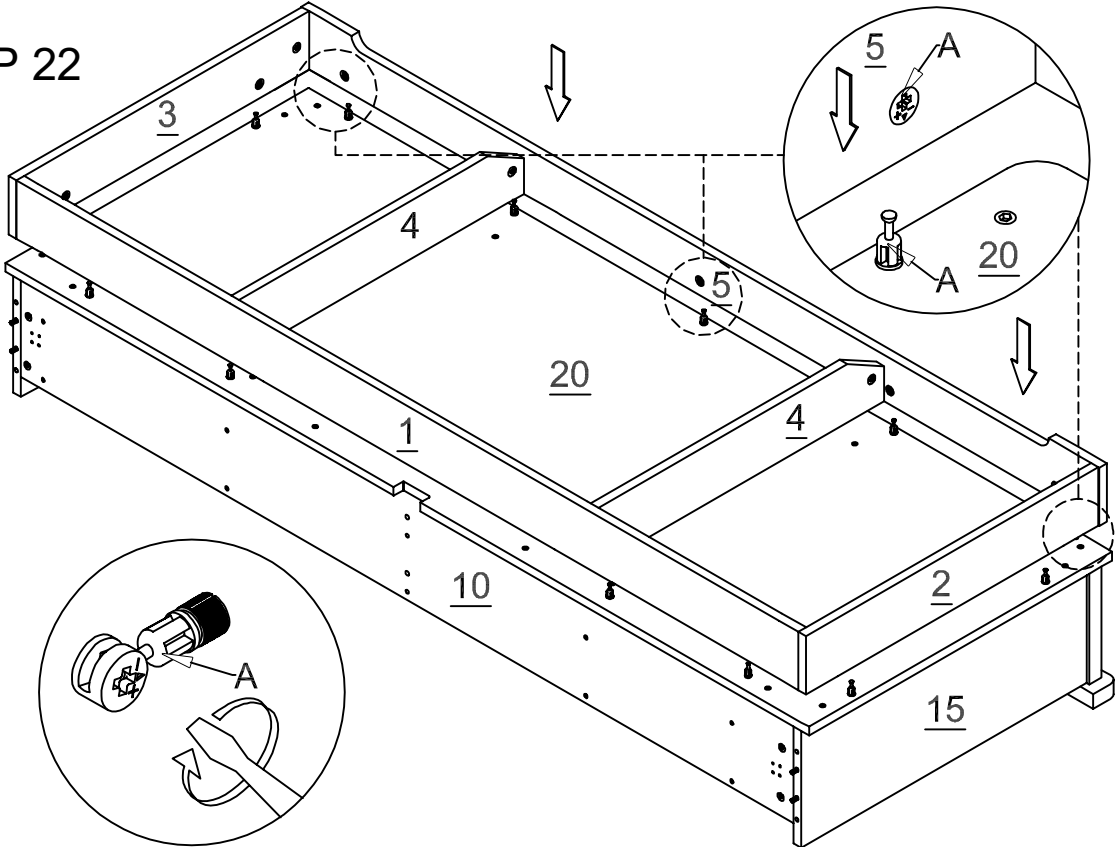
# STEP 21



No.A  
Quantity:13Pcs  
Cam Bolt

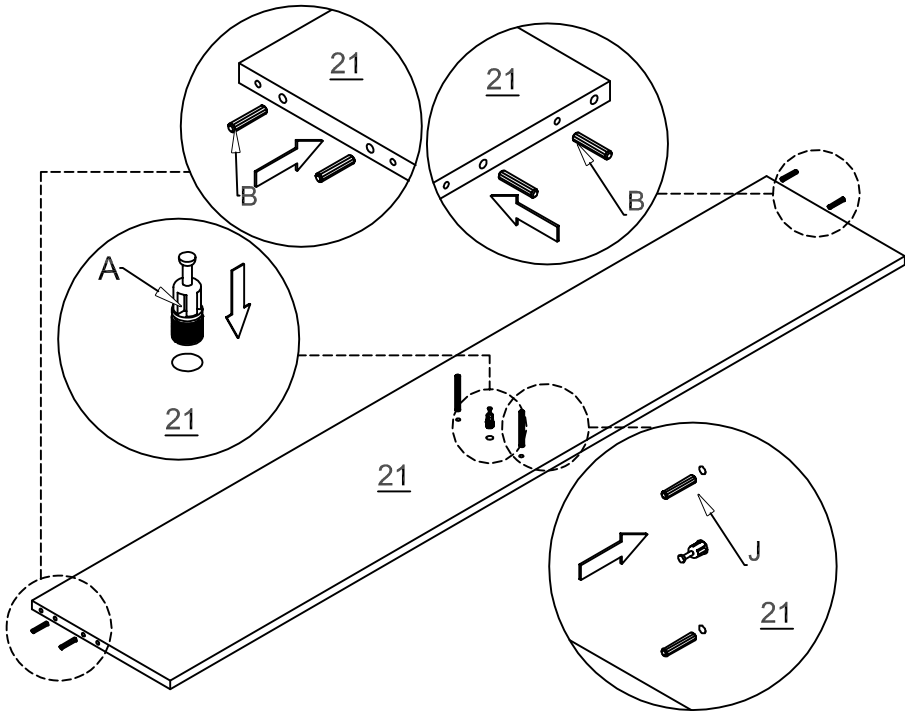


# STEP 22





# STEP 23



No.A  
Quantity:1Pcs  
Cam Bolt



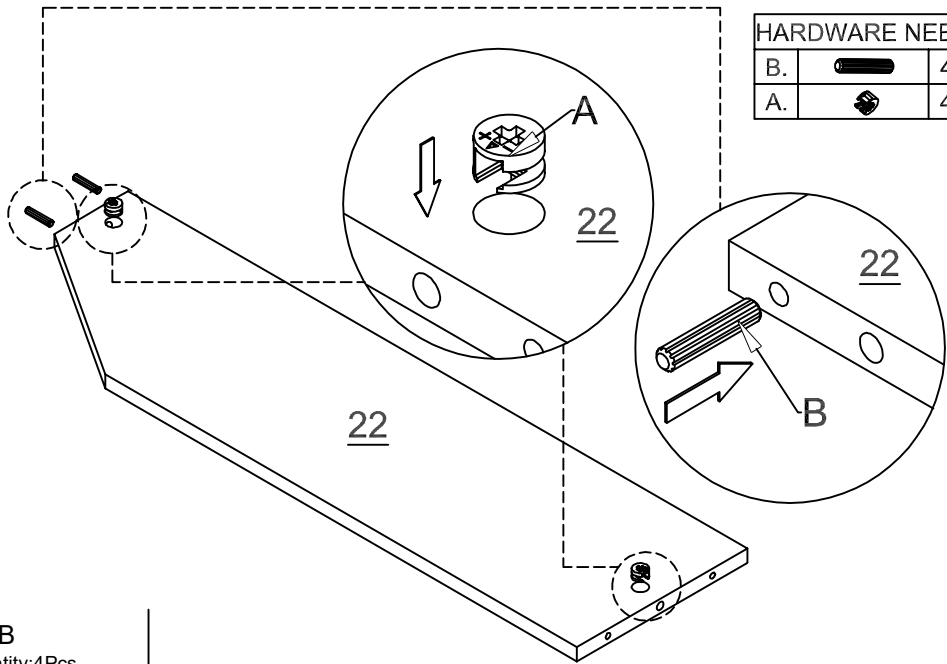
No.B  
Quantity:4Pcs  
Dowel



No.J  
Quantity:2Pcs  
Dowel



# STEP 24



HARDWARE NEEDED:		
B.		4PCS
A.		4PCS

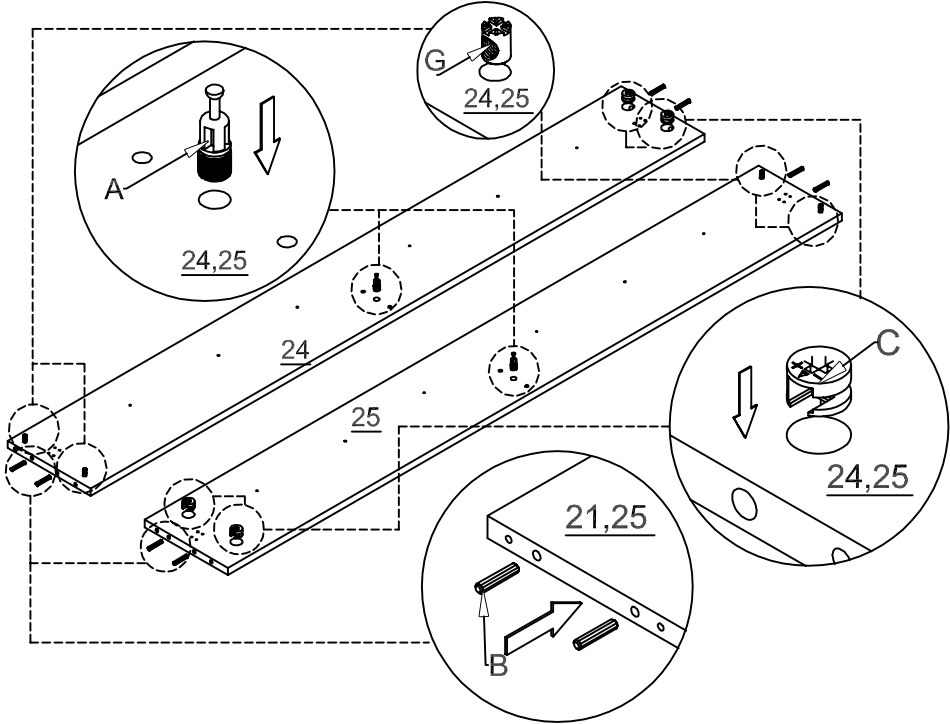
No.A  
Quantity:4Pcs  
Cam Nut



No.B  
Quantity:4Pcs  
Dowel



# STEP 25



No.A  
Quantity:2Pcs  
Cam Bolt



No.B  
Quantity:8Pcs  
Dowel



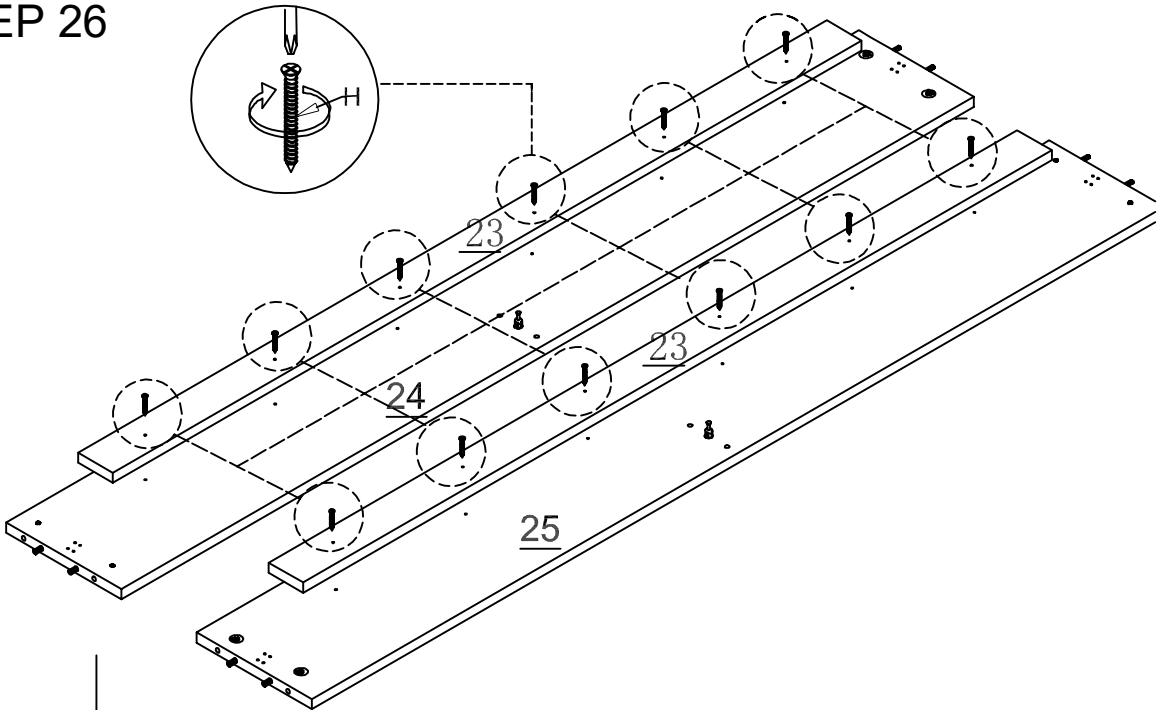
No.C  
Quantity:4Pcs  
Cam Nut



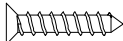
No.G  
Quantity:4Pcs  
Plastic hammer head



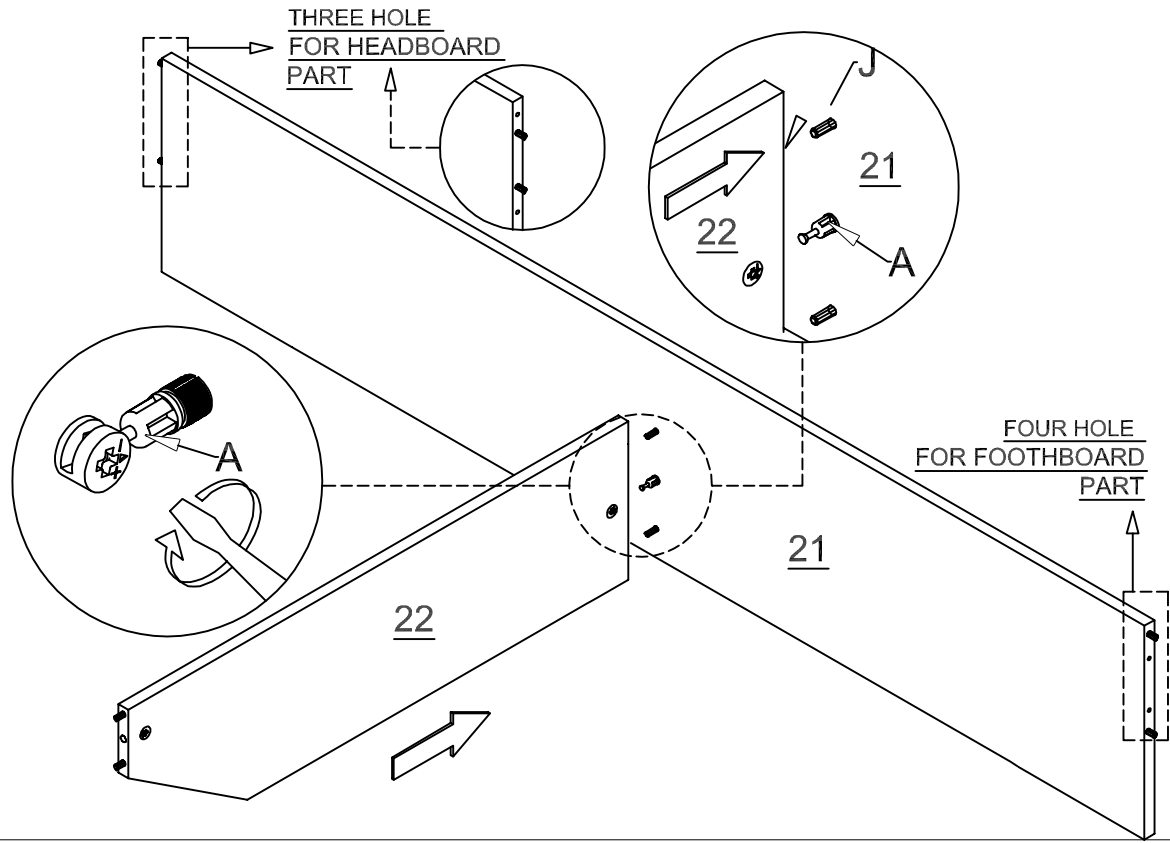
# STEP 26



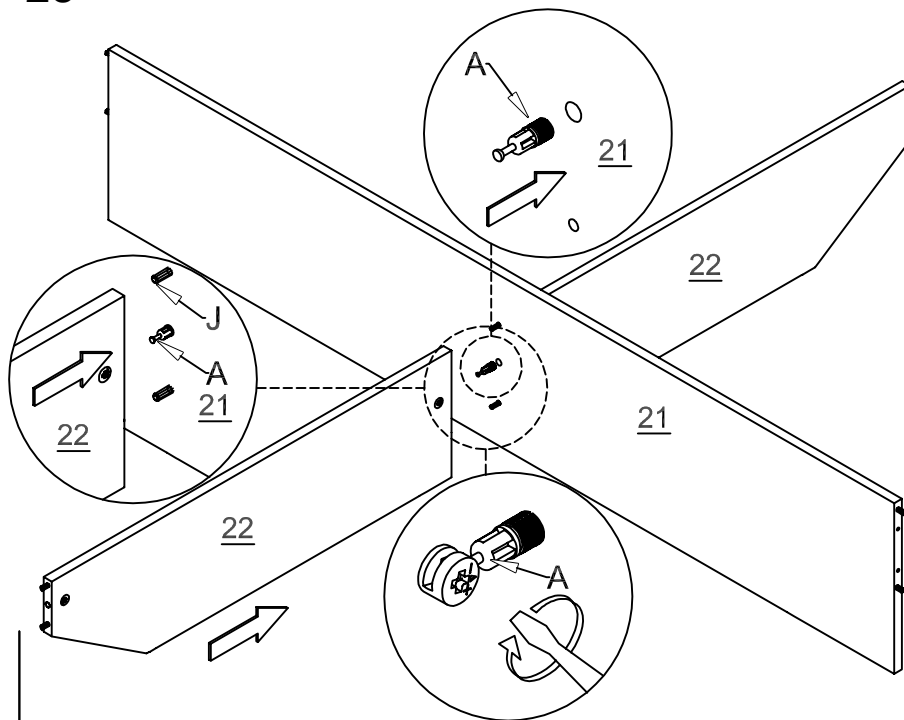
No.H  
Quantity:12Pcs  
Screw M3.5\*25mm



## STEP 27



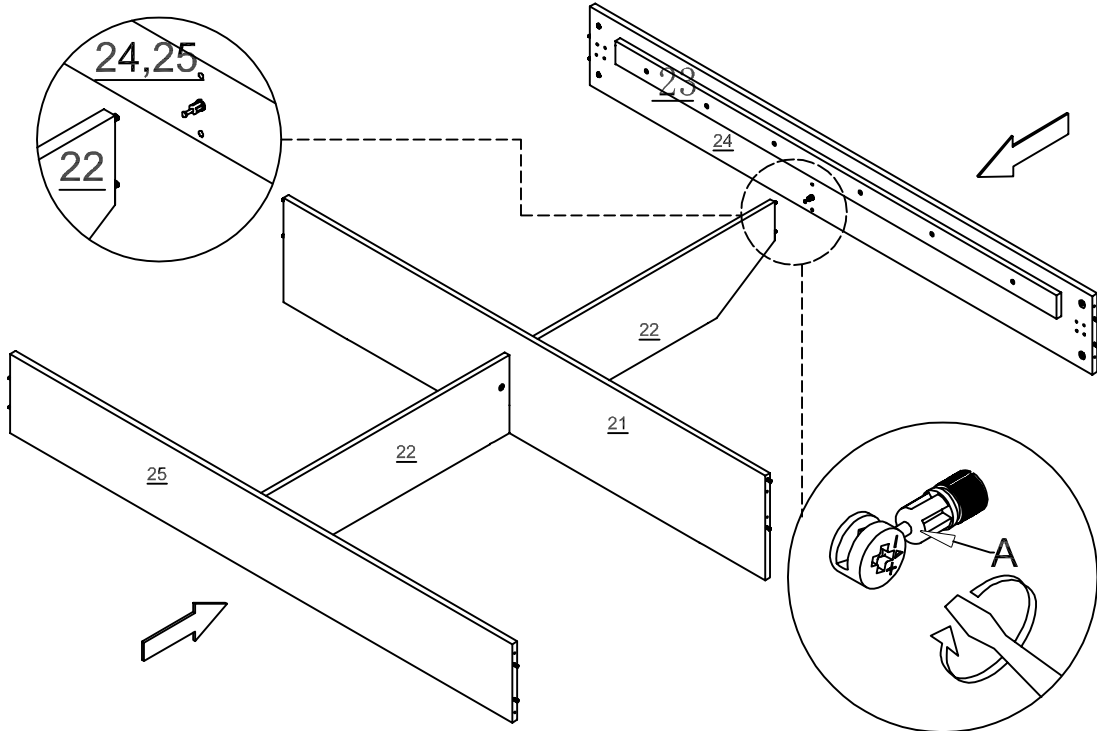
## STEP 28



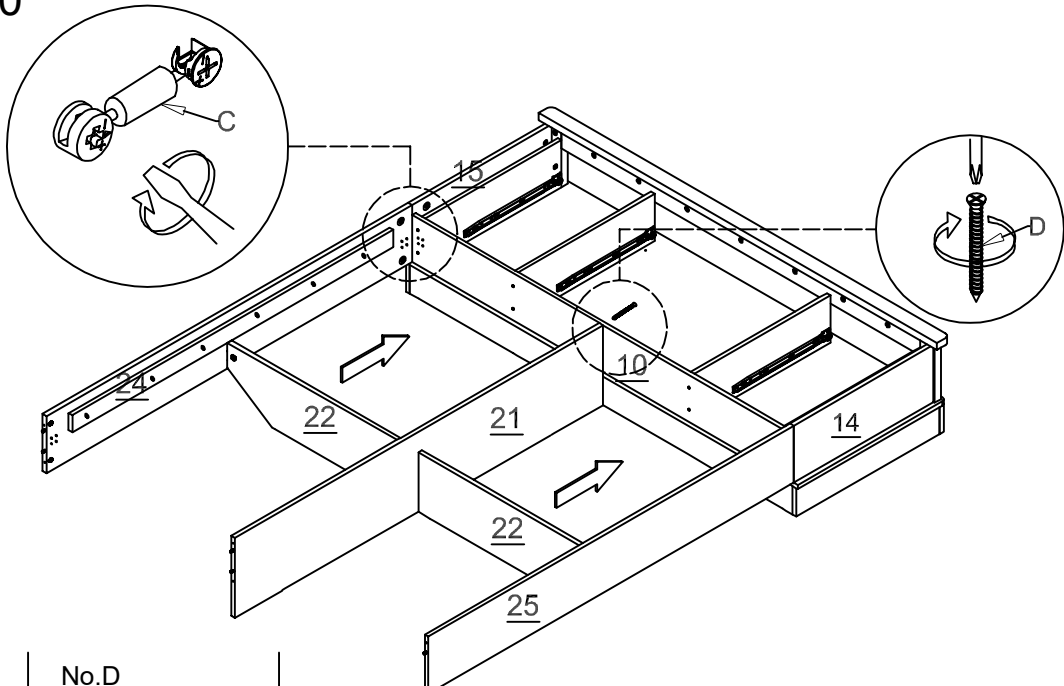
No.A  
Quantity: 1Pcs  
Cam Bolt



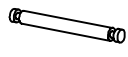
# STEP 29



# STEP 30



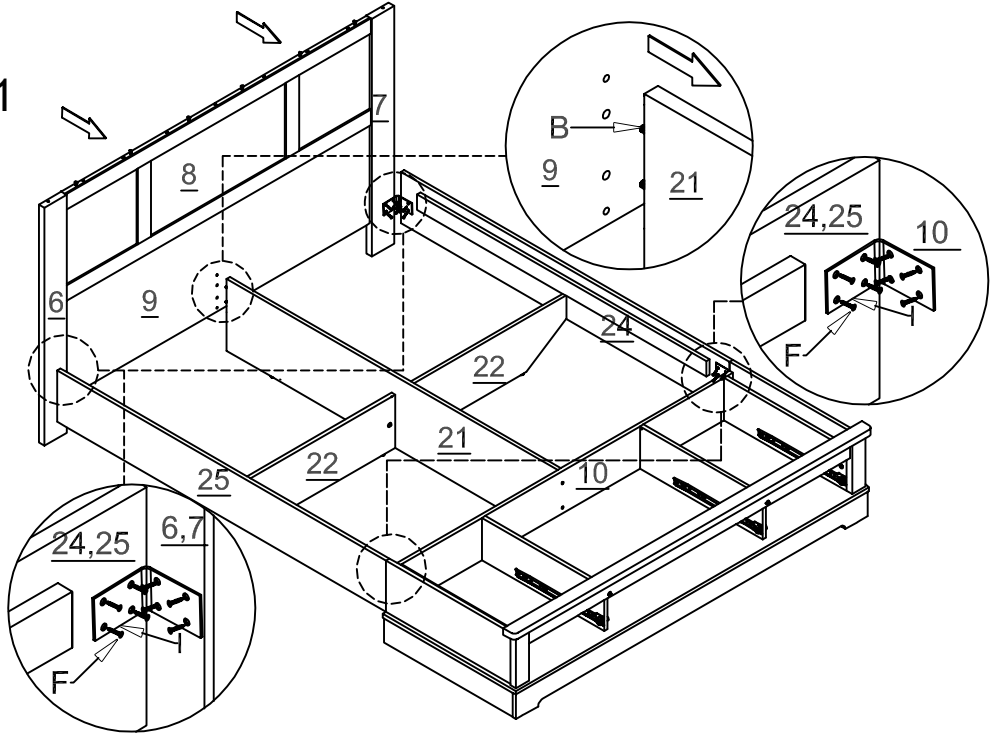
No.C  
Quantity:4Pcs  
Double Head Bolt



No.D  
Quantity:2Pcs  
Screw M3.5\*35mm



# STEP 31



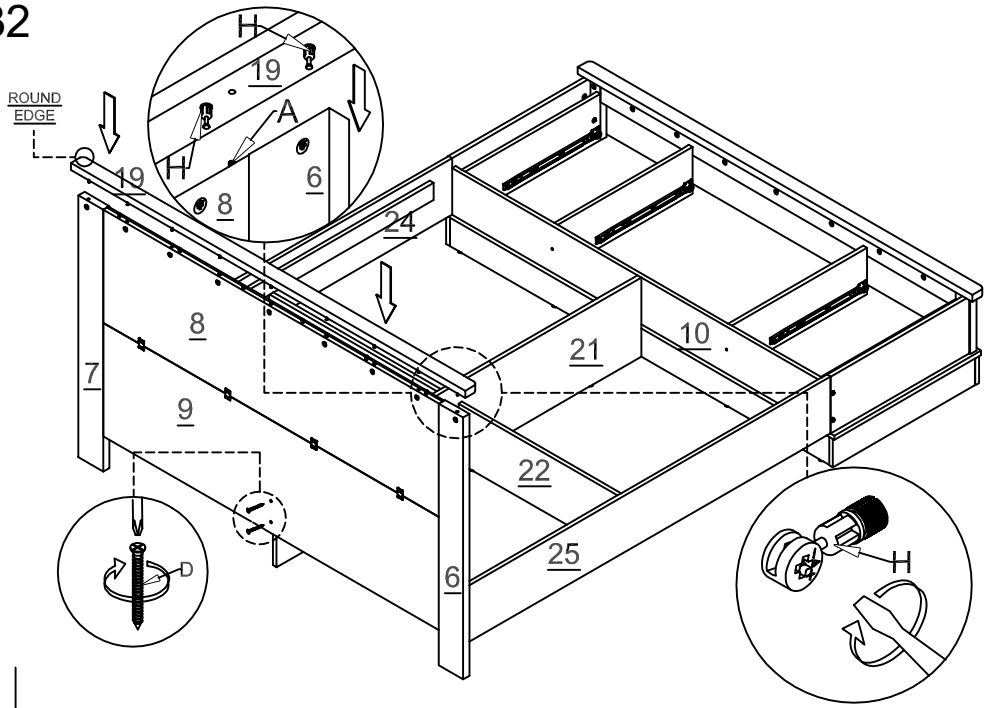
No.I  
Quantity:4Pcs  
Angle Iron



No.F  
Quantity:32Pcs  
Screw M3.5\*14mm



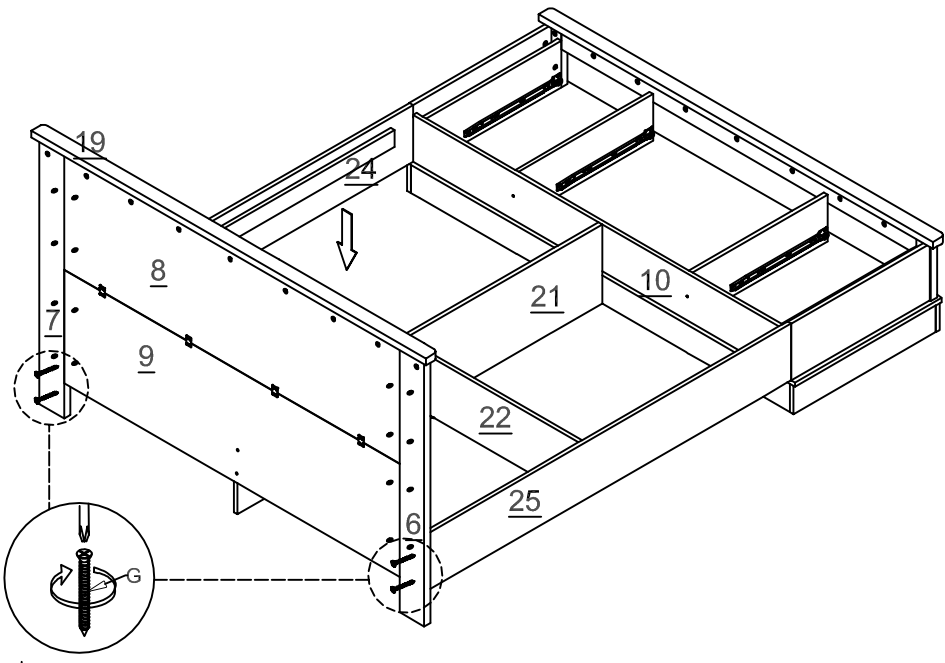
# STEP 32



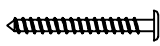
No.D  
Quantity:2Pcs  
Screw M3.5\*35mm



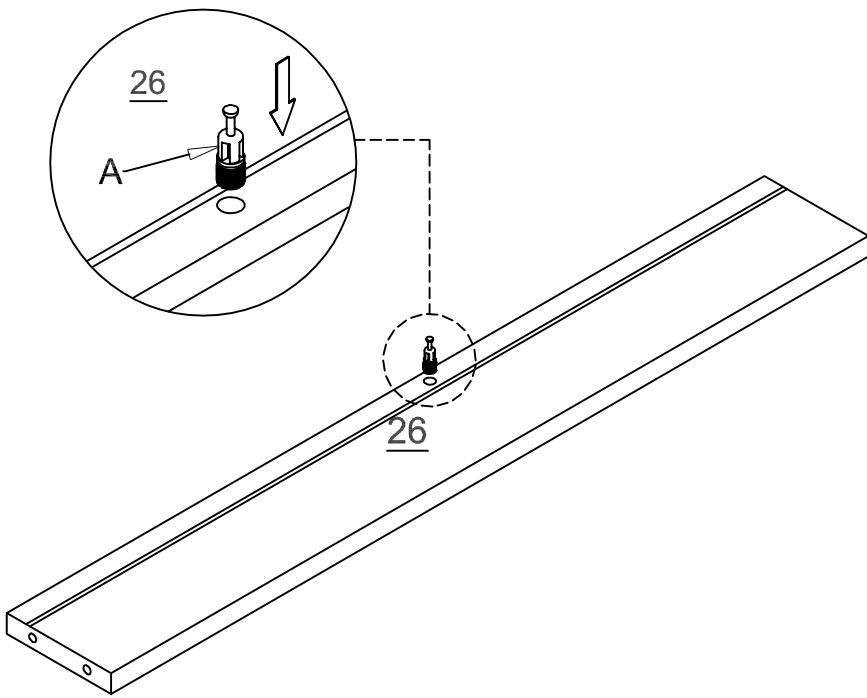
# STEP 33



No.G  
Quantity:4Pcs  
Screw



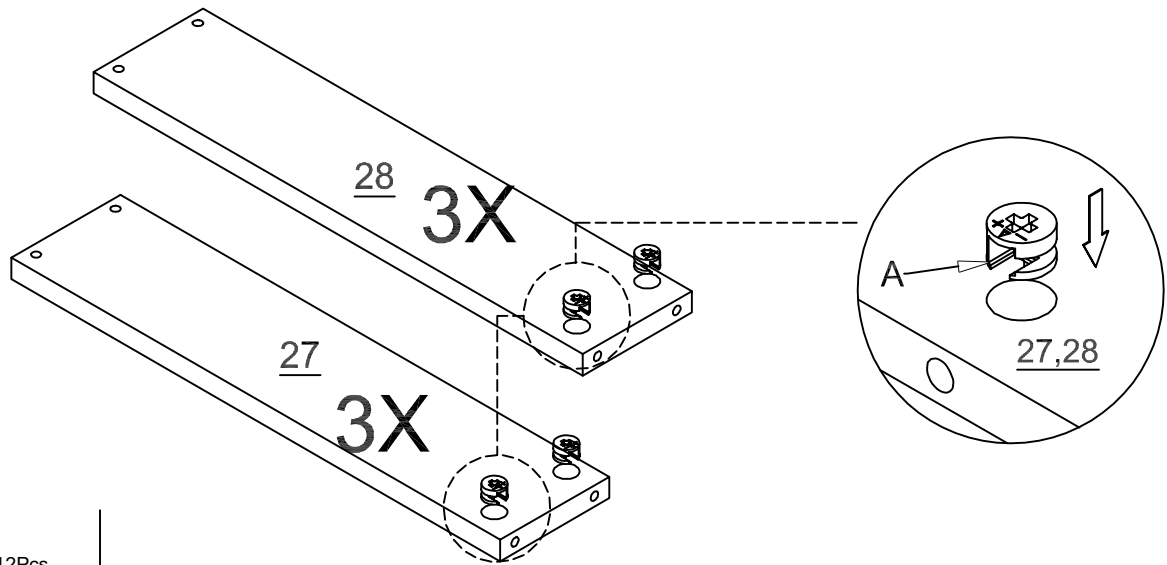
# STEP 34



No.A  
Quantity:1Pcs  
Cam Bolt



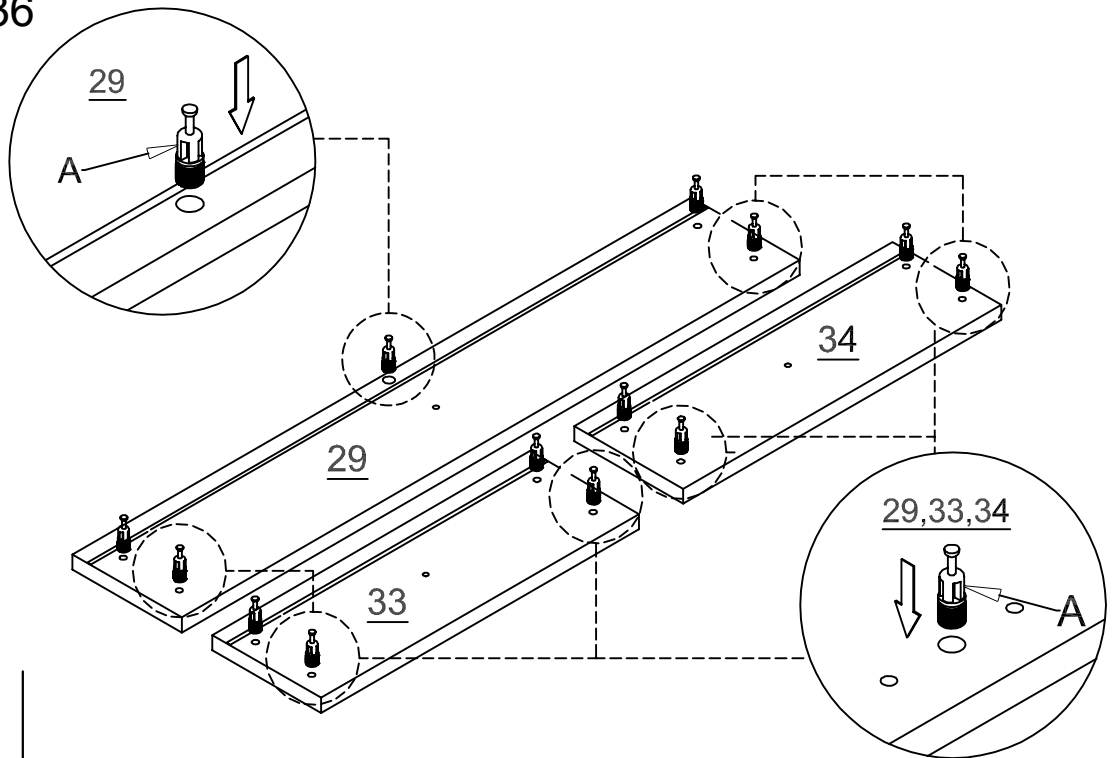
# STEP 35



No.A  
Quantity:12Pcs  
Cam Nut



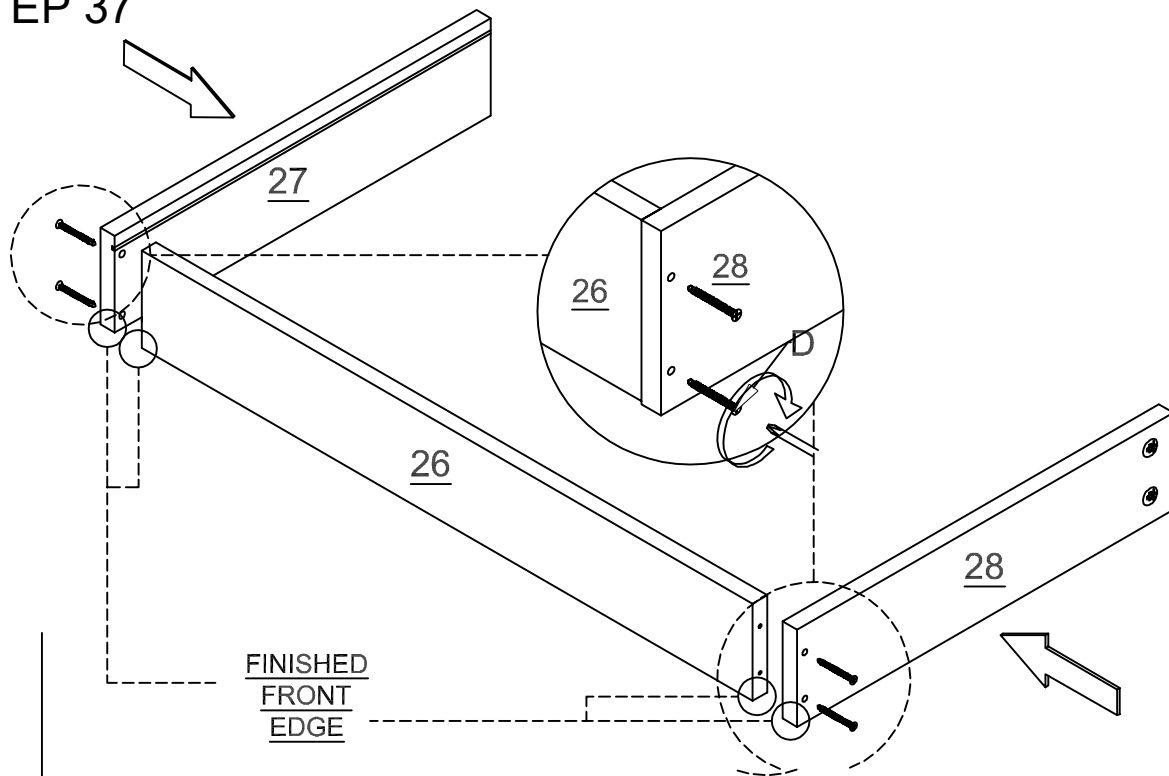
# STEP 36



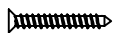
No.A  
Quantity:13Pcs  
Cam Bolt



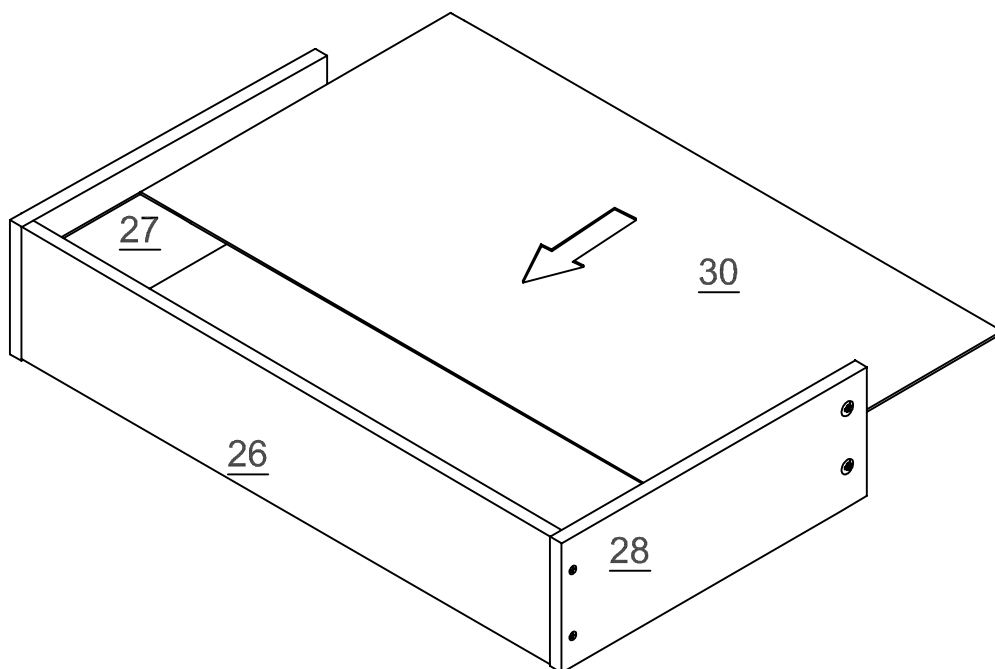
### STEP 37



No.D  
Quantity:4Pcs  
Screw M3.5\*35mm

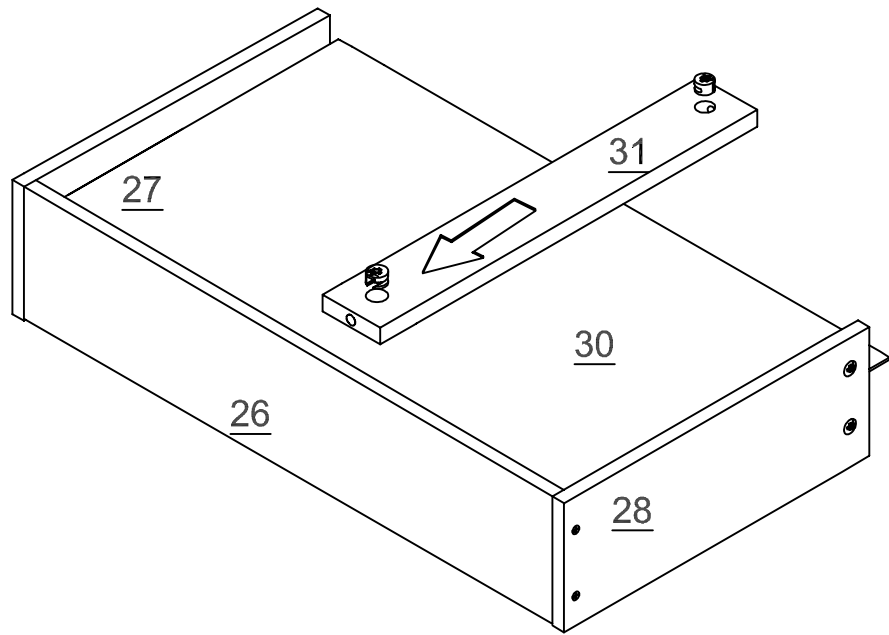


### STEP 38





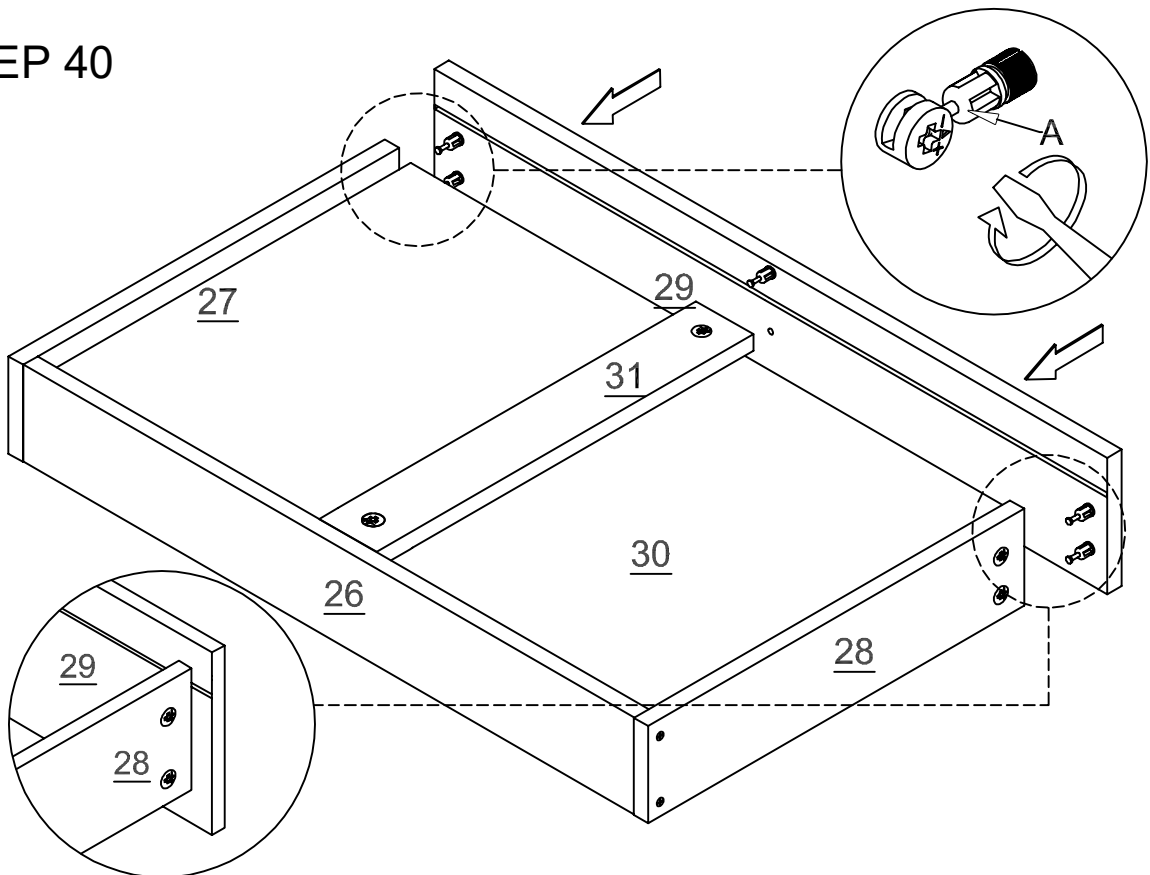
# STEP 39



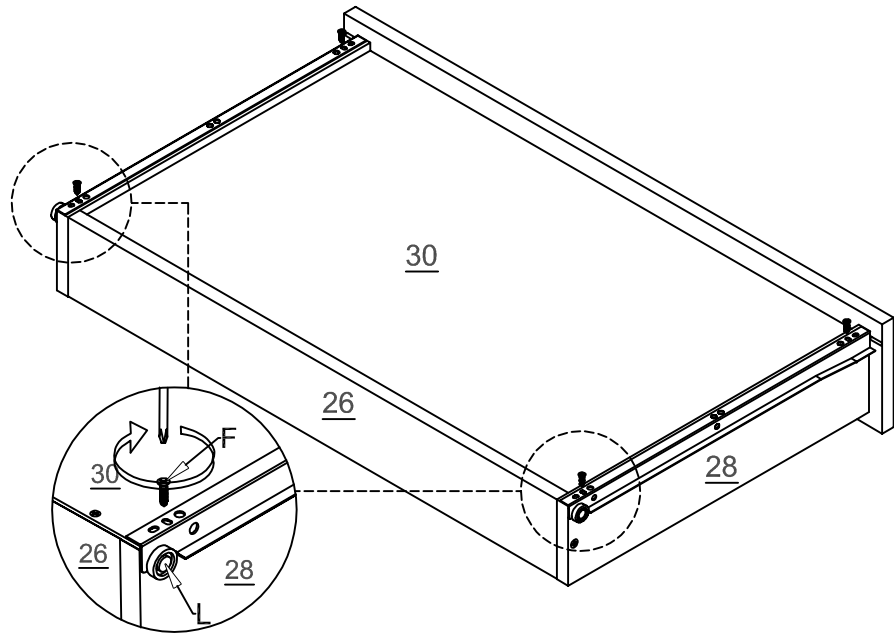
No.A  
Quantity:2Pcs  
Cam Nut



# STEP 40



# STEP 41



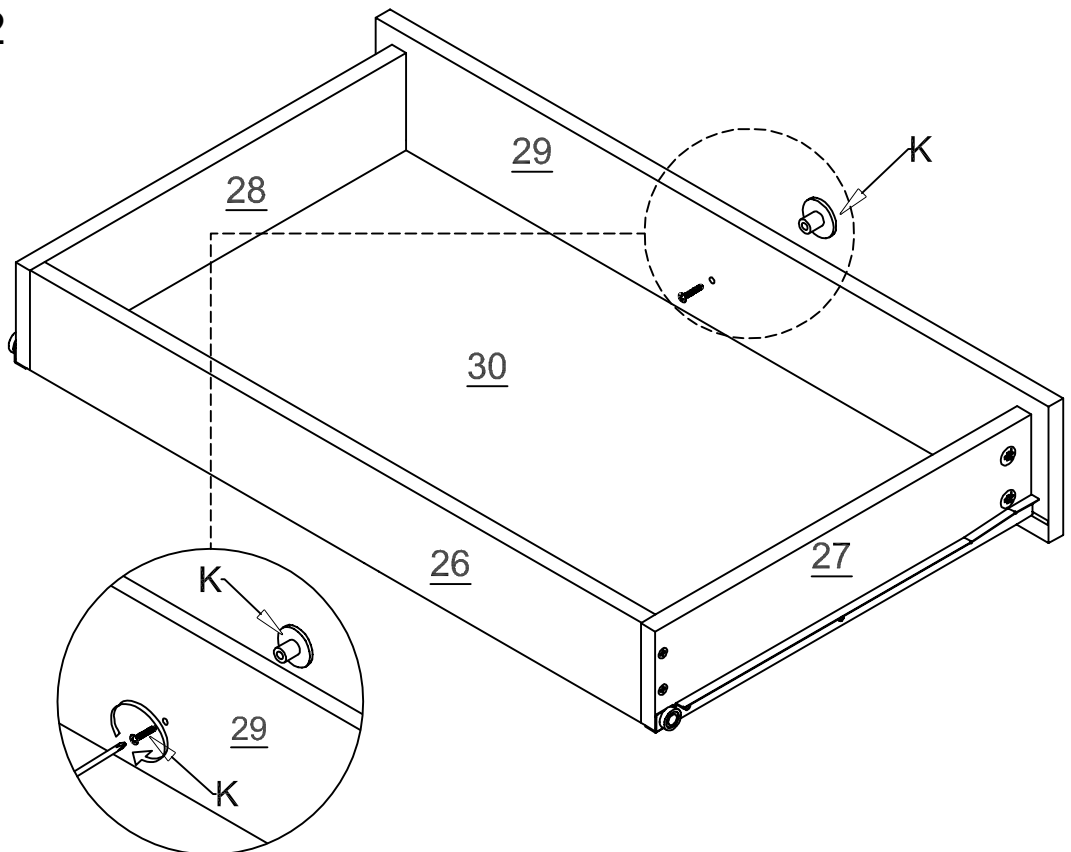
No.F  
Quantity:4Pcs  
Screw M3.5\*14mm



No.L  
Quantity:2Pcs  
Drawer Runner



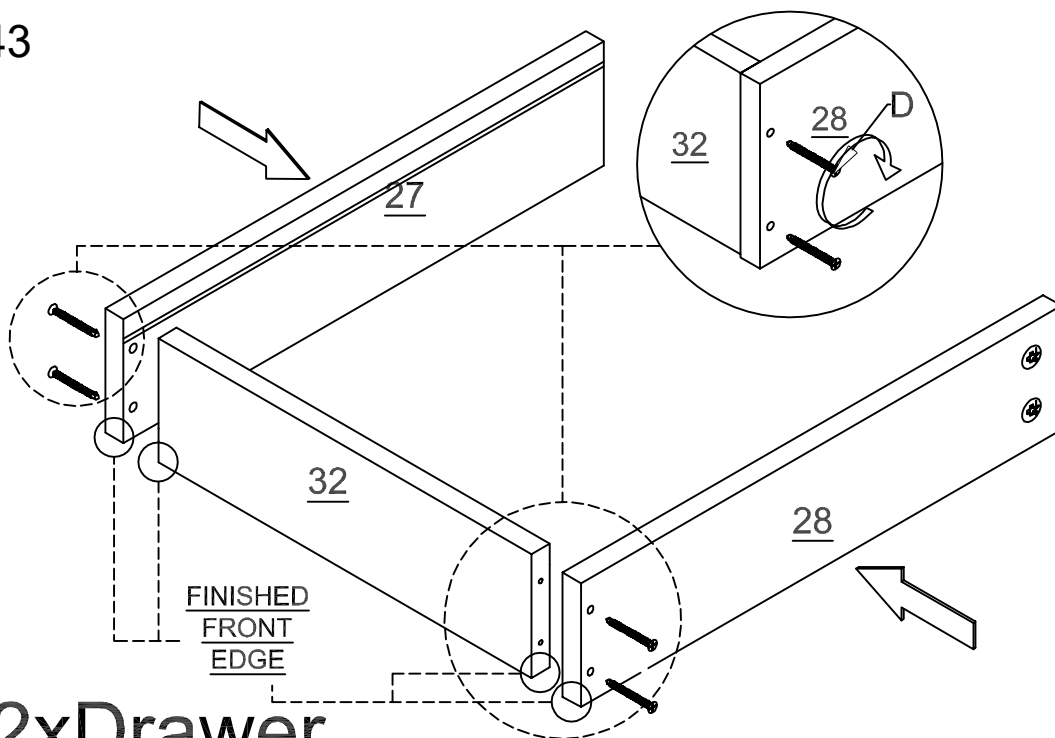
# STEP 42



No.K  
Quantity:1Pcs  
Handle



### STEP 43

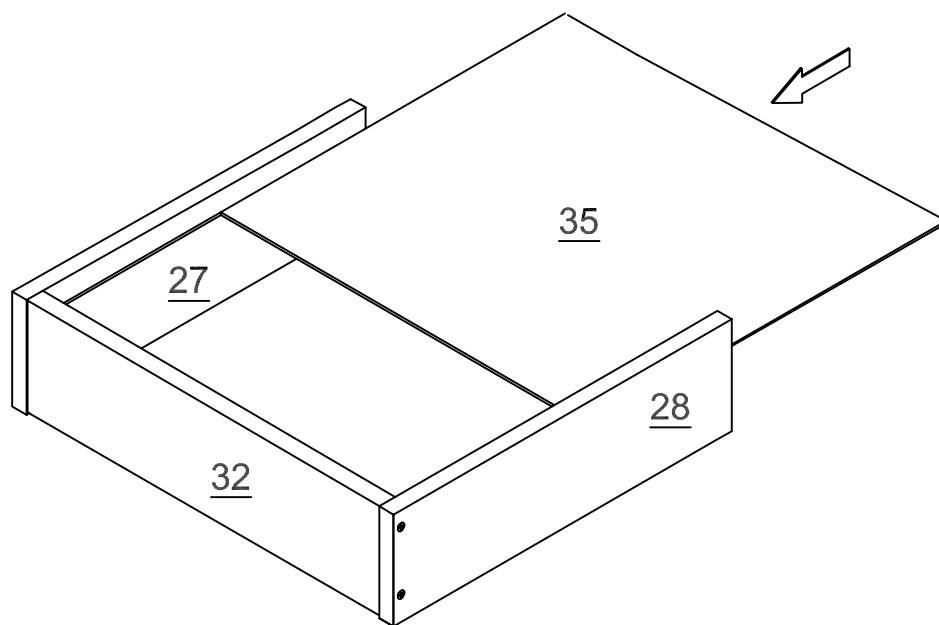


No.D  
Quantity:8Pcs  
Screw M3.5\*35mm

## 2xDrawer

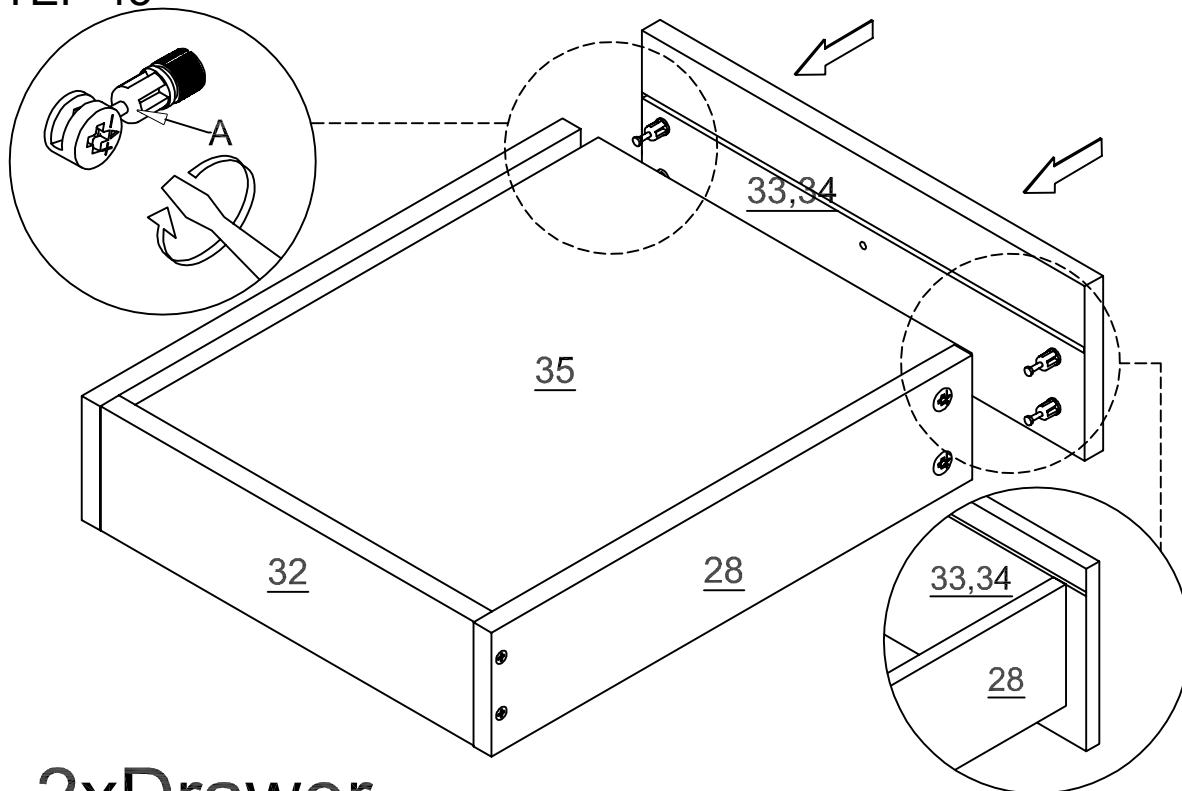


### STEP 44



## 2xDrawer

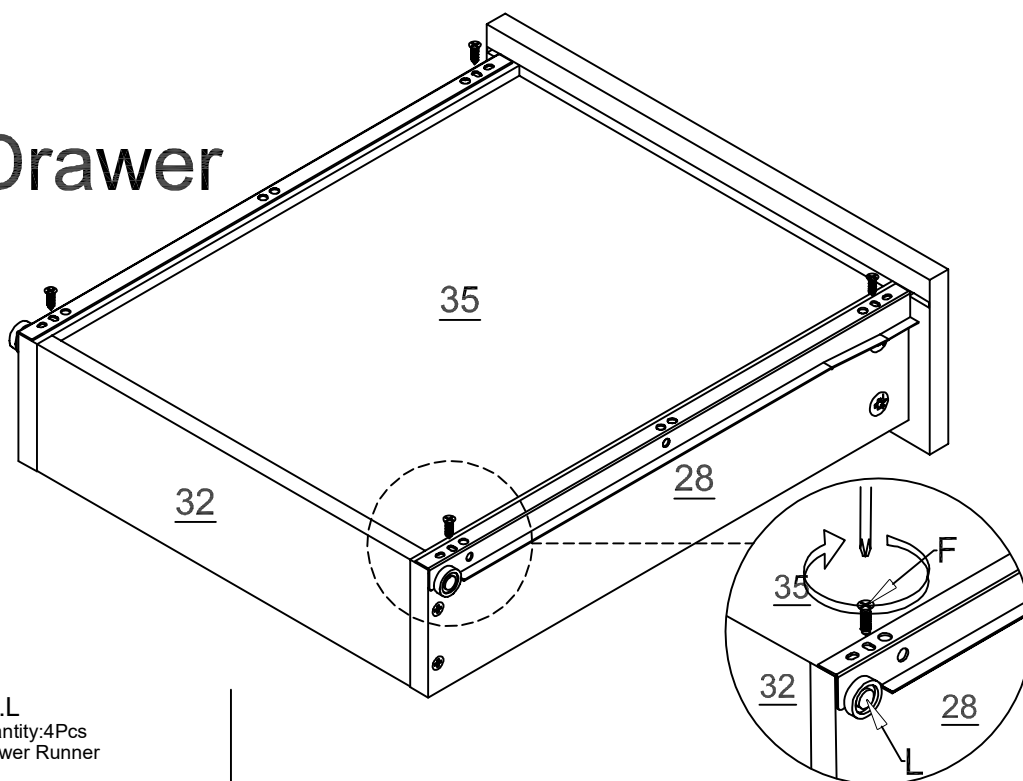
### STEP 45



## 2xDrawer

### STEP 46

## 2xDrawer



No.F  
Quantity:8Pcs  
Screw M3.5\*14mm

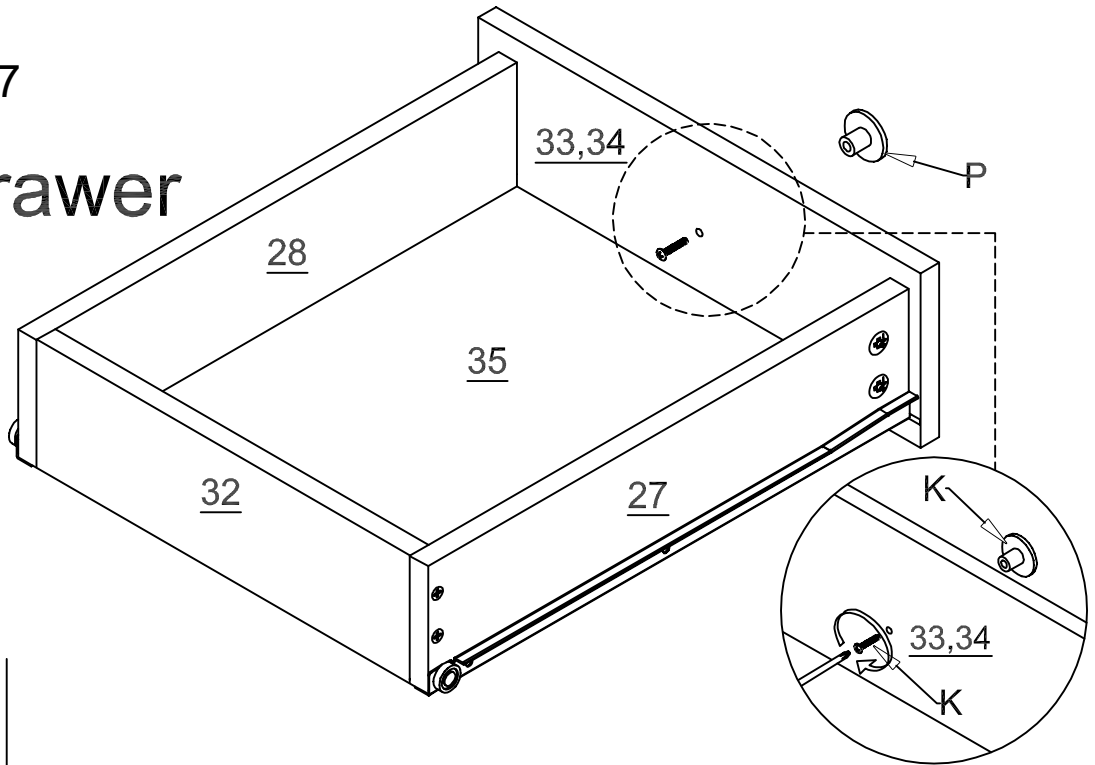


No.L  
Quantity:4Pcs  
Drawer Runner



# STEP 47

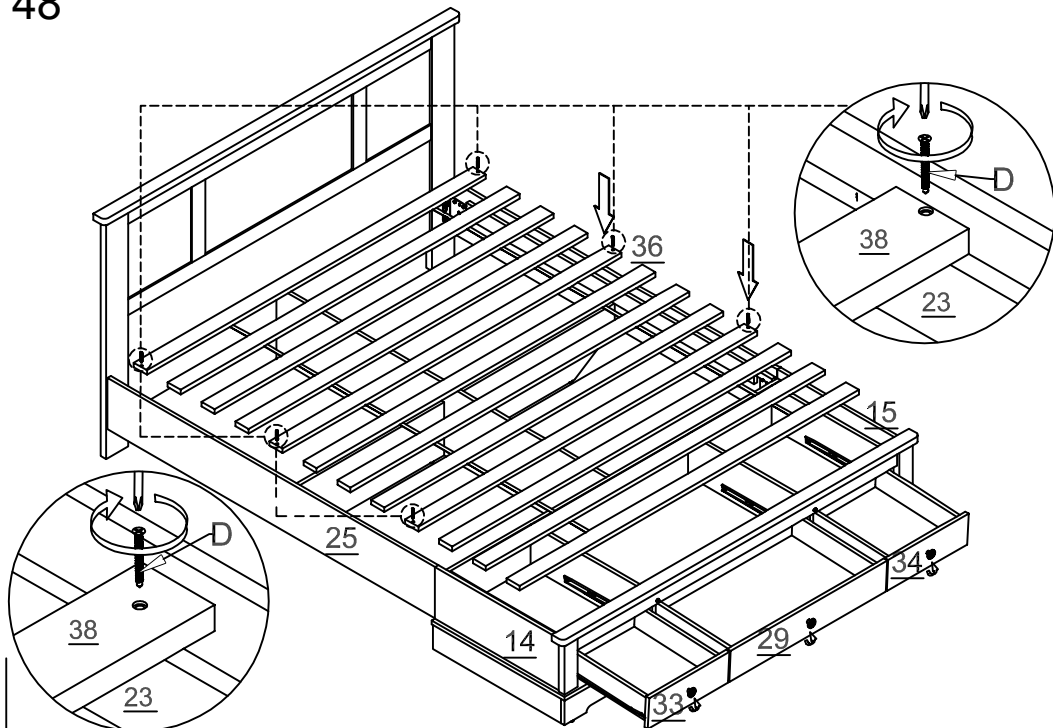
## 2xDrawer



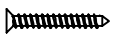
No.K  
Quantity:2Pcs  
Handle



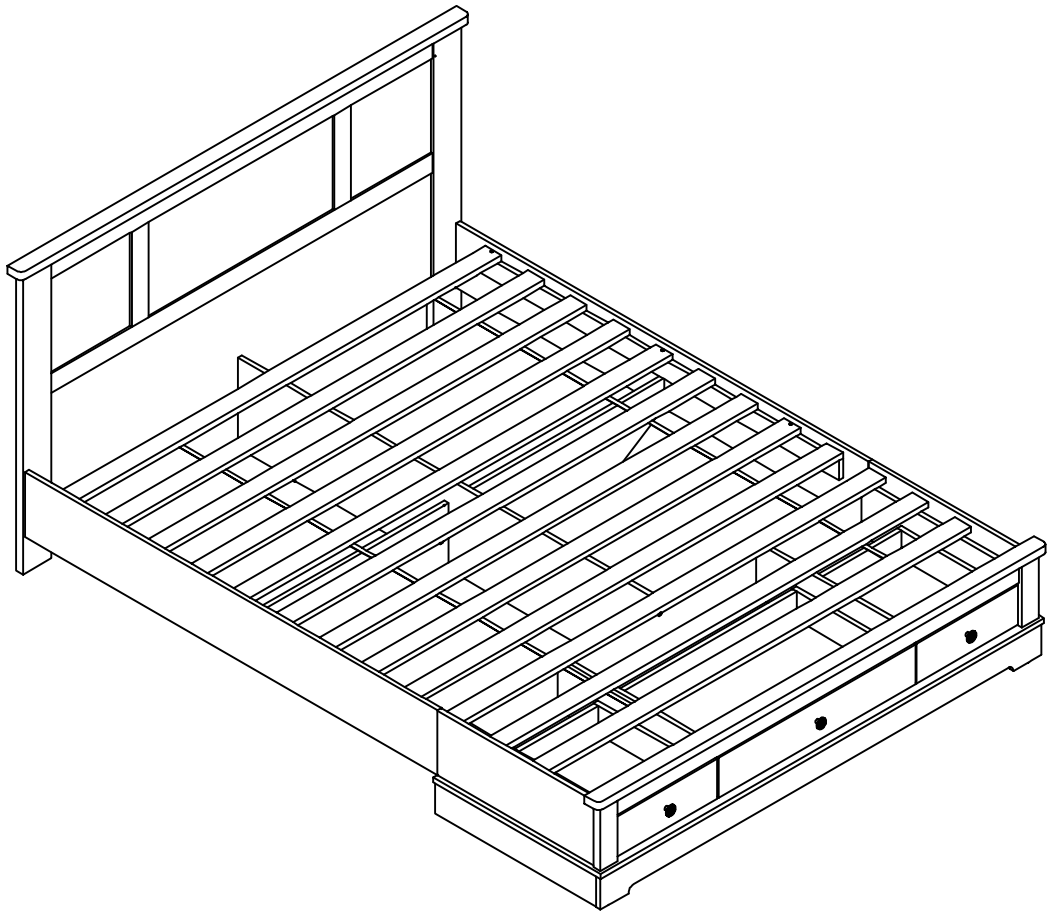
# STEP 48



No.D  
Quantity:6Pcs  
Screw M3.5\*35mm



# STEP 49



[lifely.com.au](http://lifely.com.au)

**Great Job, You're done!**

Don't forget to share how it looks in  
your space and tag us on Instagram.

[@lifelyhome#homewithlifely!](#)