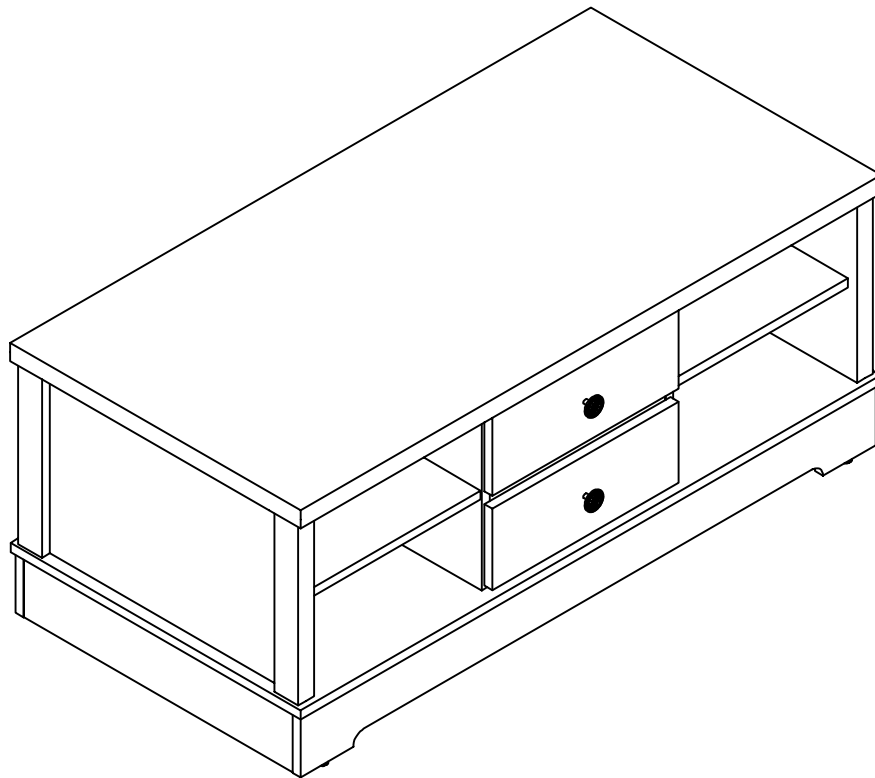


Assemble Instructions

Coco Series



Lifely*

Product Code
CCO-CT122-WHT
Coffee Table

Dimensions(W x D x H)
1100*550*445mm

Important

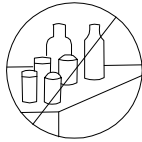
Please read through instructions carefully
Before assembly and keep for future reference.

For our full catalogue of assembly instructions,
Visit:lifely.com.au/assembly.

Important Tips and Maintenance



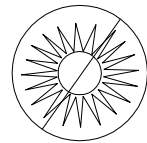
1. Keep children and animals away from working area as smaller parts may cause choking if swallowed



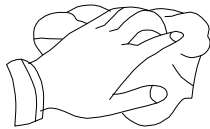
2. Never place liquids or anything damp upon furniture as it will mark. Ensure a coaster or running is beneath.



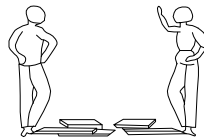
3. New use ammonia based cleaning products as it will damage the finish.



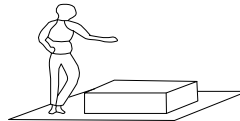
4. To avoid fading, keep furniture out of direct sunlight.



5. Use a soft or damp cloth (dry cloth) when wiping or cleaning surface.



6. Two person are required



7. Lay a soft matt down to protect the furniture pieces before and during assembly.

So your relationship is strong. But is it flat-pack furniture strong? Unless you're an aerospace engineer, assembling furniture can be slightly stressful. We recommend meditating quietly, pouring yourself a herbal tea (or slightly less herbal wine) and tackling things one step at a time. If you feel a passive aggressive remark coming on, try a compliment instead. E.g. "You're so good looking".

This 30-Step assembly should take around 50 minutes with an Allen Key-or 35 minutes with an electric drill.
Godspeed.

Designed for everyday

Components Hardware

Please check you have all the fittings
part or tools are listed in below.

No.A
Quantity:52Pcs
Cam Bolt



No.A
Quantity:52Pcs
Cam Nut



No.B
Quantity:40Pcs
Dowel



No.C
Quantity:16Pcs
Screw M3.5*14mm



No.D
Quantity:16Pcs
Screw M3.5*35mm



No.E
Quantity:4Pcs
Pvcglide



No.F
Quantity:2Pcs
Drawer Runner



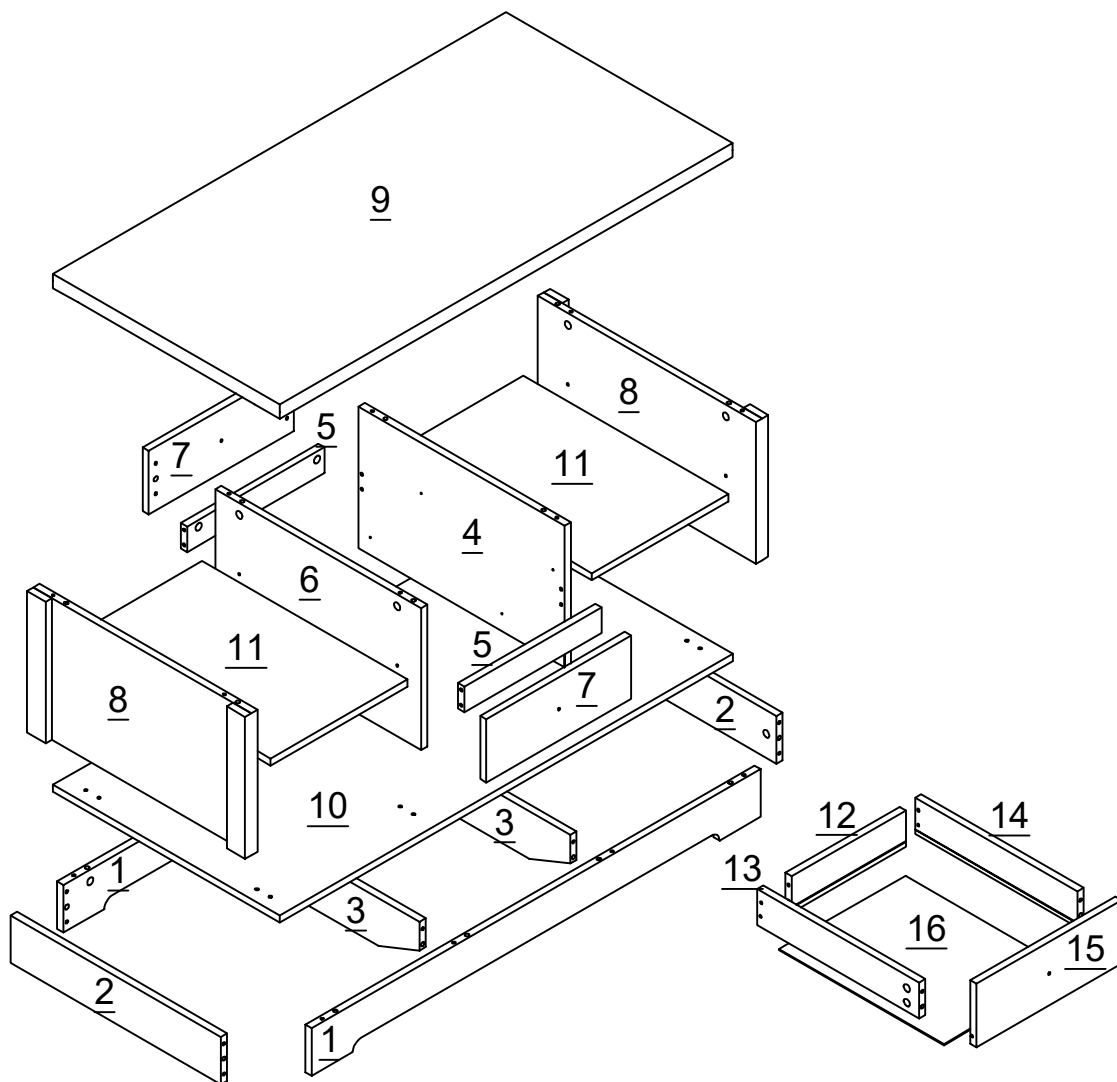
No.H
Quantity:4Pcs
Handle



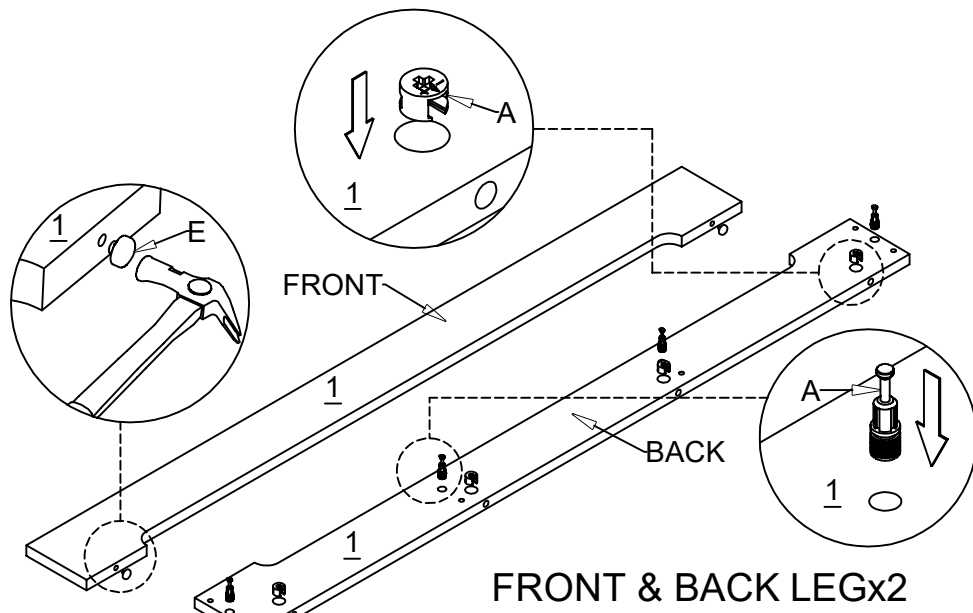
Components Panels & Part List




Please check you have all the panels
are listed below.

1. Front & back leg -----x2	CTN1/2	9. Top panel -----x1	CTN1/2
2. Side leg_R&L-----x2	CTN2/2	10. Bottom panel -----x1	CTN1/2
3. Center leg -----x2	CTN2/2	11. Shelf panel -----x2	CTN2/2
4. Center panel_R -----x1	CTN2/2	12. Drawer back -----x2	CTN1/2
5. F & B Cross bar-----x2	CTN2/2	13. Drawer side_L-----x2	CTN2/2
6. Center panel_L -----x1	CTN2/2	14. Drawer side_R-----x2	CTN1/2
7. Drawer front A&B -----x2	CTN1/2	15. Drawer front -----x2	CTN1/2
8. Side panel_R&L-----x2	CTN2/2	16. Drawer base -----x2	CTN2/2

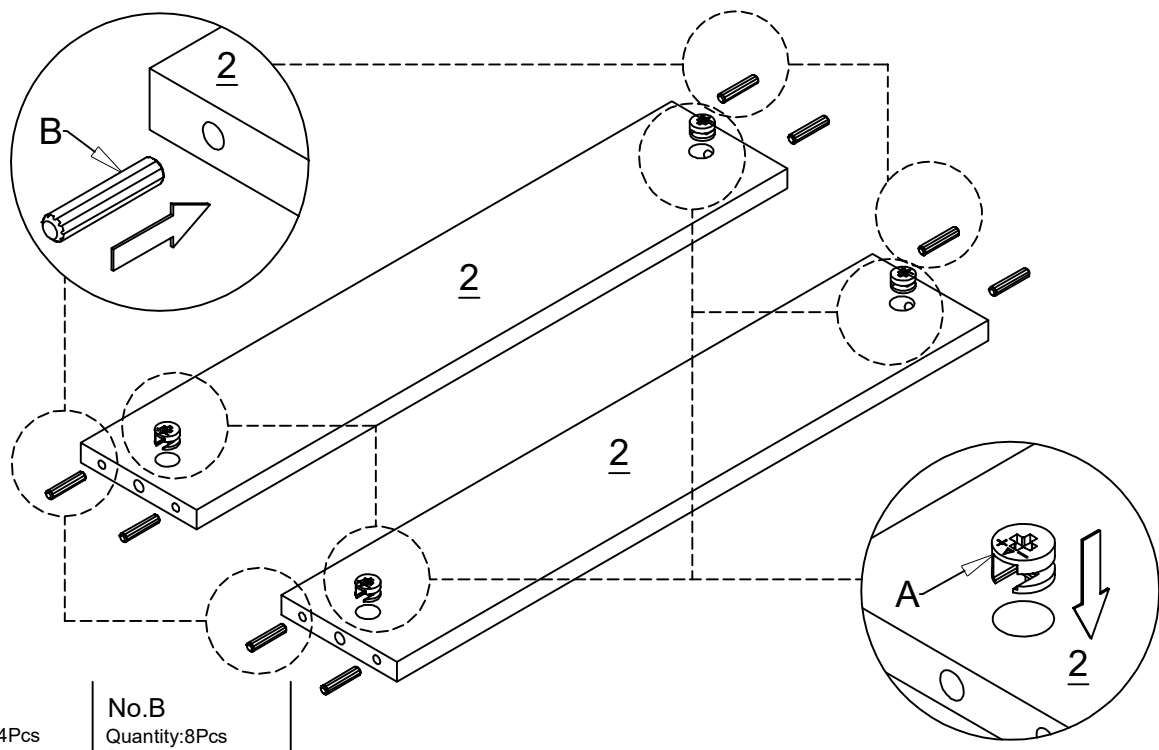




STEP1



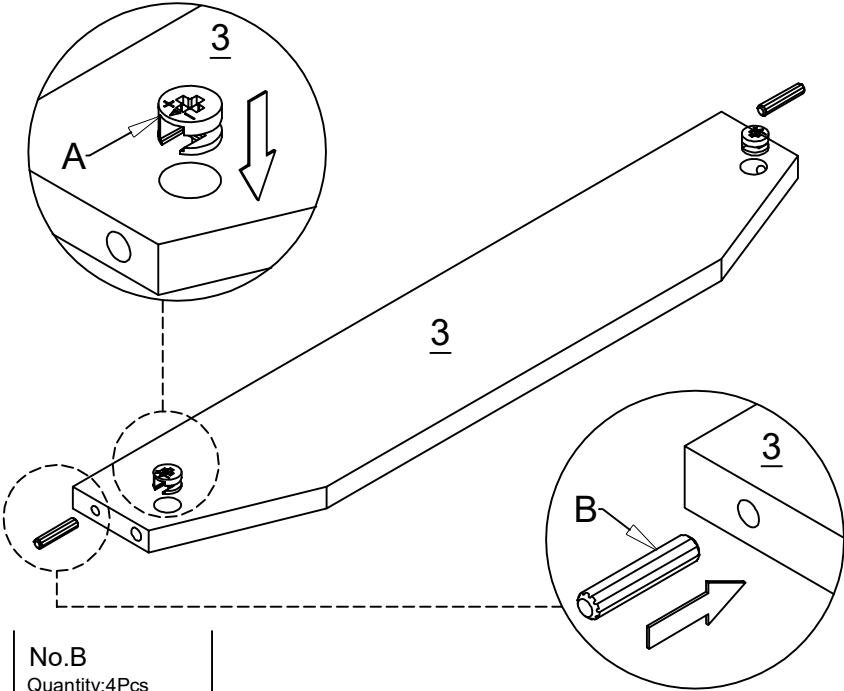
- | | | |
|-------------------------------------------------------------------------------------------------------------------------------|------------------------------------------------------------------------------------------------------------------------------|-------------------------------------------------------------------------------------------------------------------------------|
| <p>No.A
Quantity:8Pcs
Cam Bolt</p>  | <p>No.A
Quantity:8Pcs
Cam Nut</p>  | <p>No.E
Quantity:4Pcs
Pvcglide</p>  |
|-------------------------------------------------------------------------------------------------------------------------------|------------------------------------------------------------------------------------------------------------------------------|-------------------------------------------------------------------------------------------------------------------------------|

STEP2



- | | |
|-------------------------------------------------------------------------------------------------------------------------------|-----------------------------------------------------------------------------------------------------------------------------|
| <p>No.A
Quantity:4Pcs
Cam Nut</p>  | <p>No.B
Quantity:8Pcs
Dowel</p>  |
|-------------------------------------------------------------------------------------------------------------------------------|-----------------------------------------------------------------------------------------------------------------------------|

STEP3



No.A
Quantity:4Pcs
Cam Nut

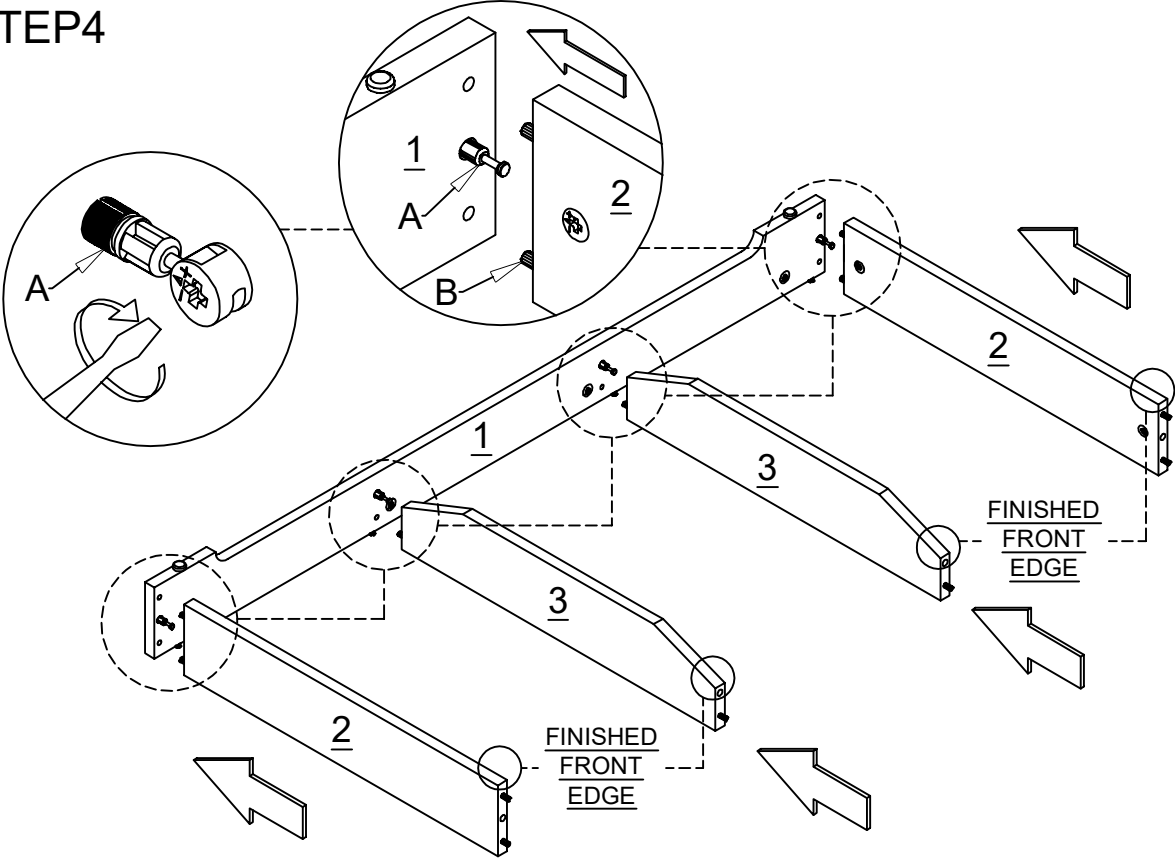


No.B
Quantity:4Pcs
Dowel

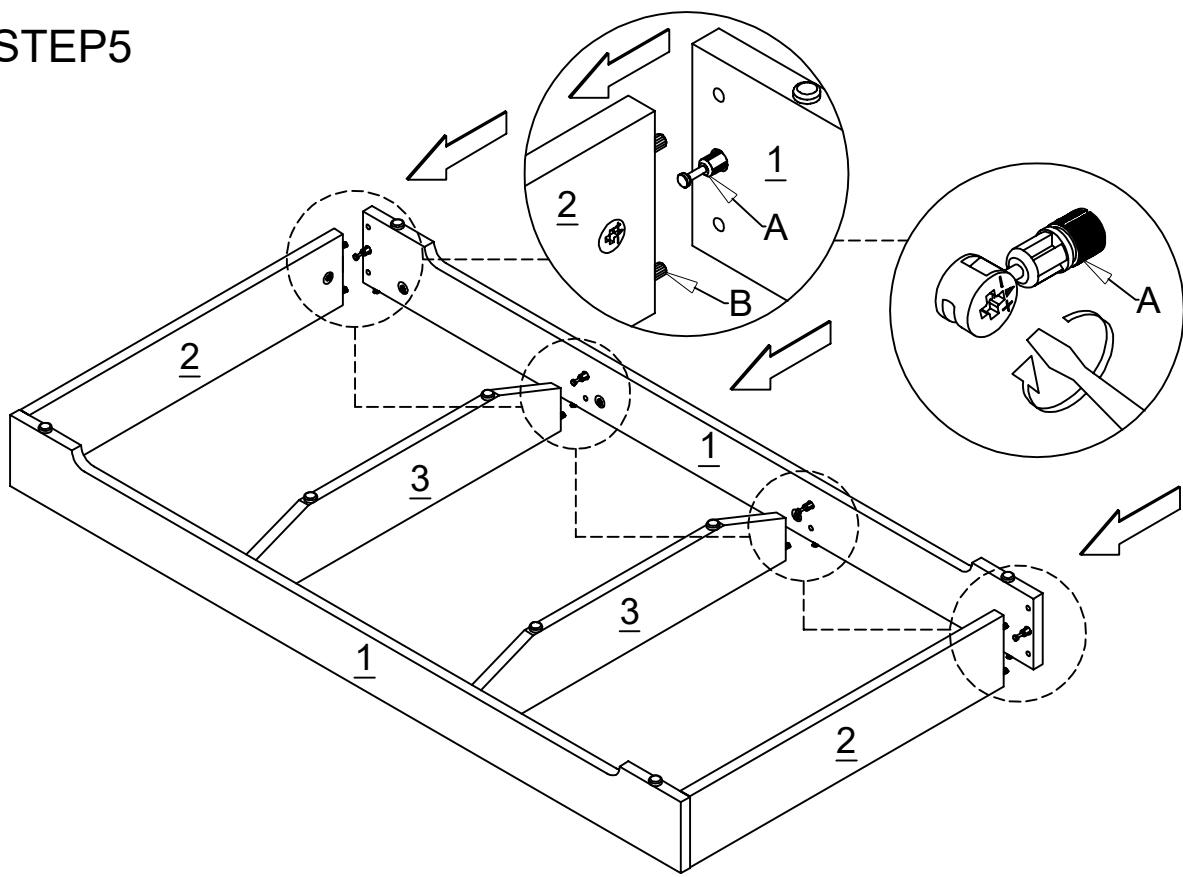


CENTER LEGx2

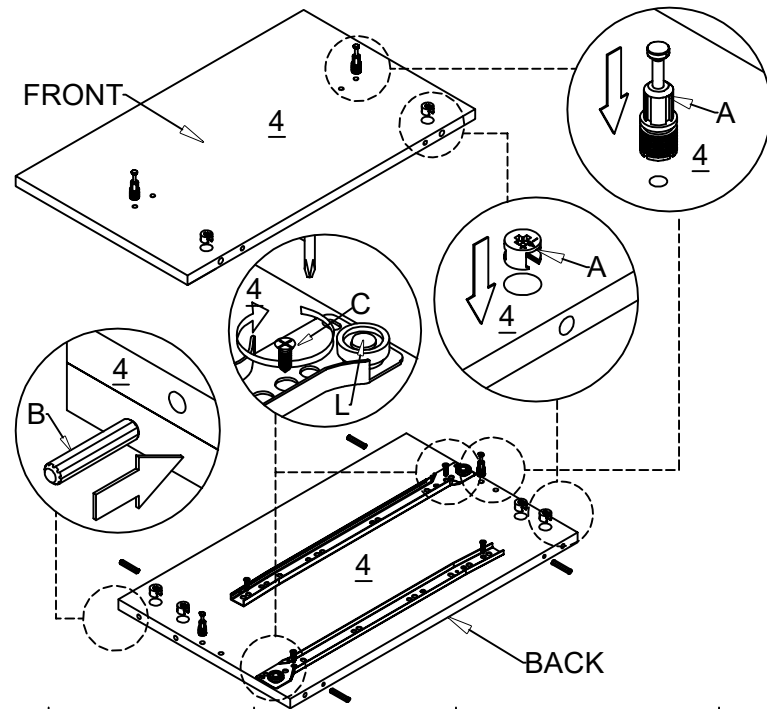
STEP4



STEP5



STEP6



No.A
Quantity:4Pcs
Cam Bolt



No.A
Quantity:6Pcs
Cam Nut



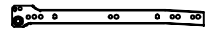
No.B
Quantity:4Pcs
Dowel



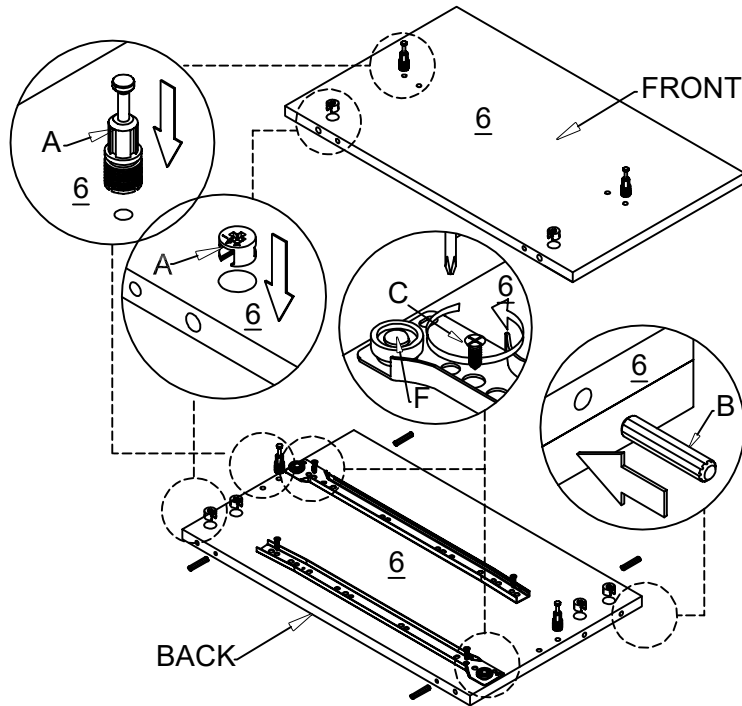
No.C
Quantity:4Pcs
Screw M3.5*14mm



No.F
Quantity:2Pcs
Drawer Runner



STEP7



No.A
Quantity:4Pcs
Cam Bolt



No.A
Quantity:6Pcs
Cam Nut



No.B
Quantity:4Pcs
Dowel



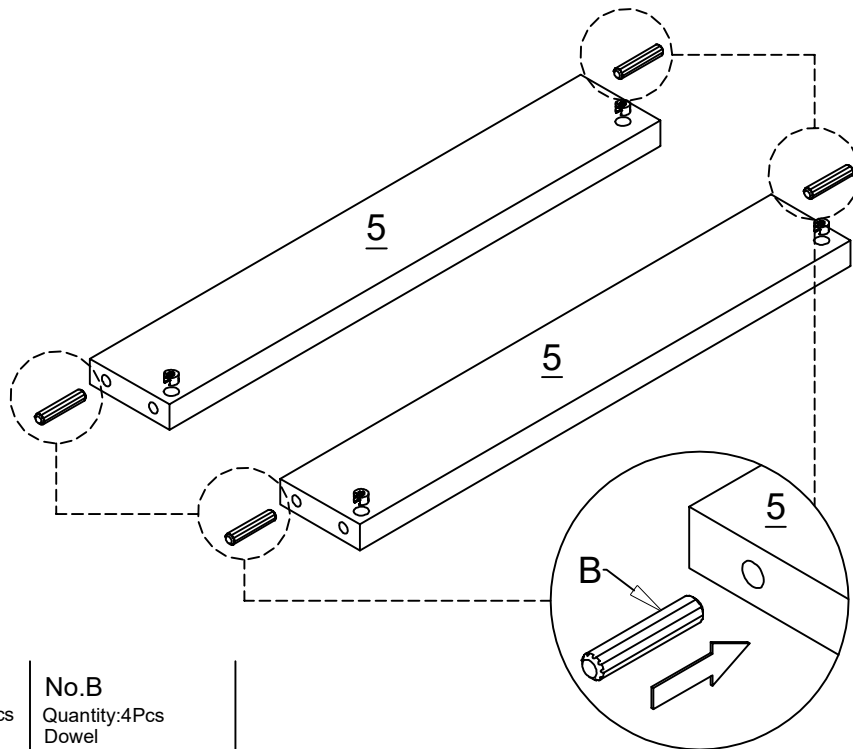
No.C
Quantity:4Pcs
Screw M3.5*14mm



No.F
Quantity:2Pcs
Drawer Runner



STEP8



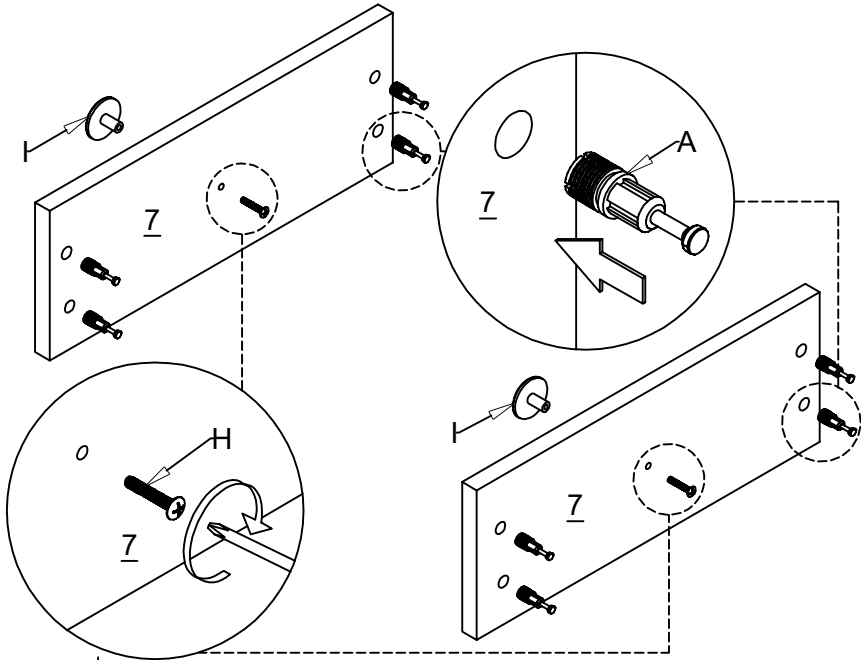
No.A
Quantity:4Pcs
Cam Nut



No.B
Quantity:4Pcs
Dowel



STEP9



No.A
Quantity:8Pcs
Cam Nut

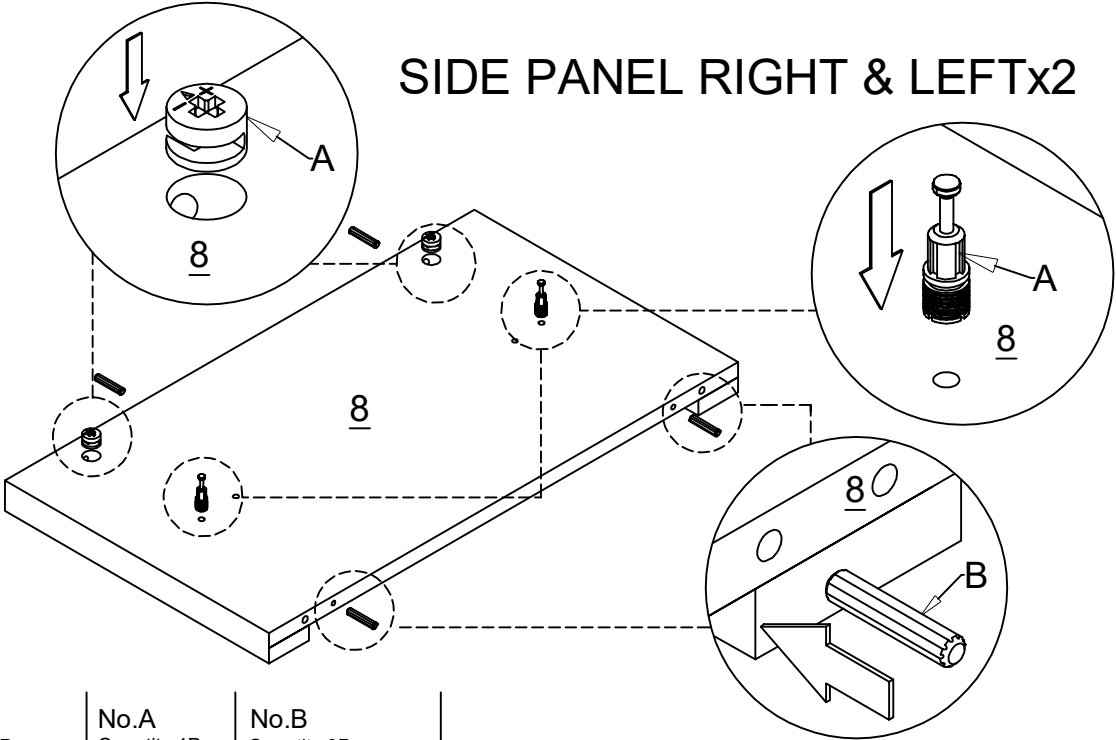


No.H
Quantity:2Pcs
Handle



STEP10

SIDE PANEL RIGHT & LEFTx2



No.A
Quantity:4Pcs
Cam Bolt



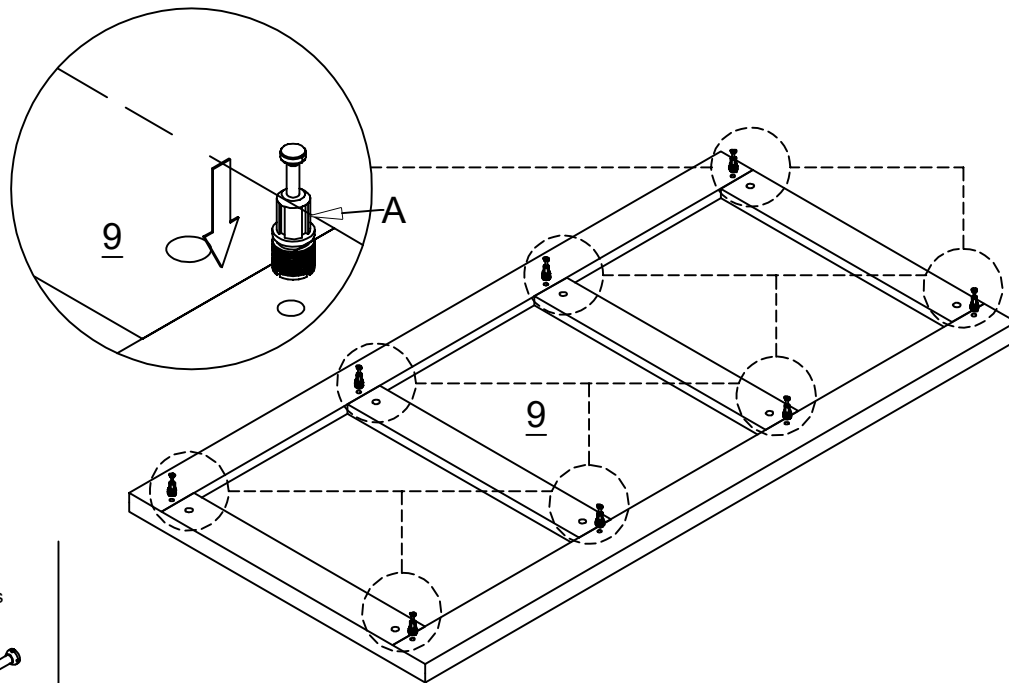
No.A
Quantity:4Pcs
Cam Nut



No.B
Quantity:8Pcs
Dowel



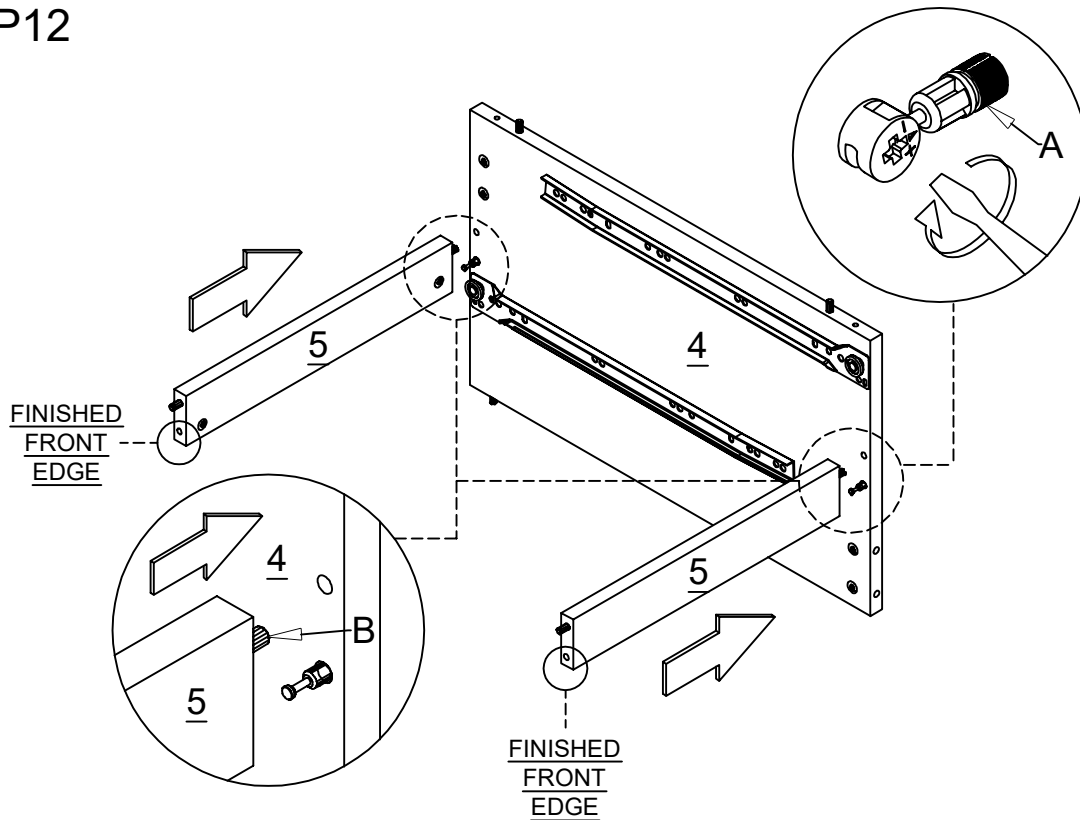
STEP11



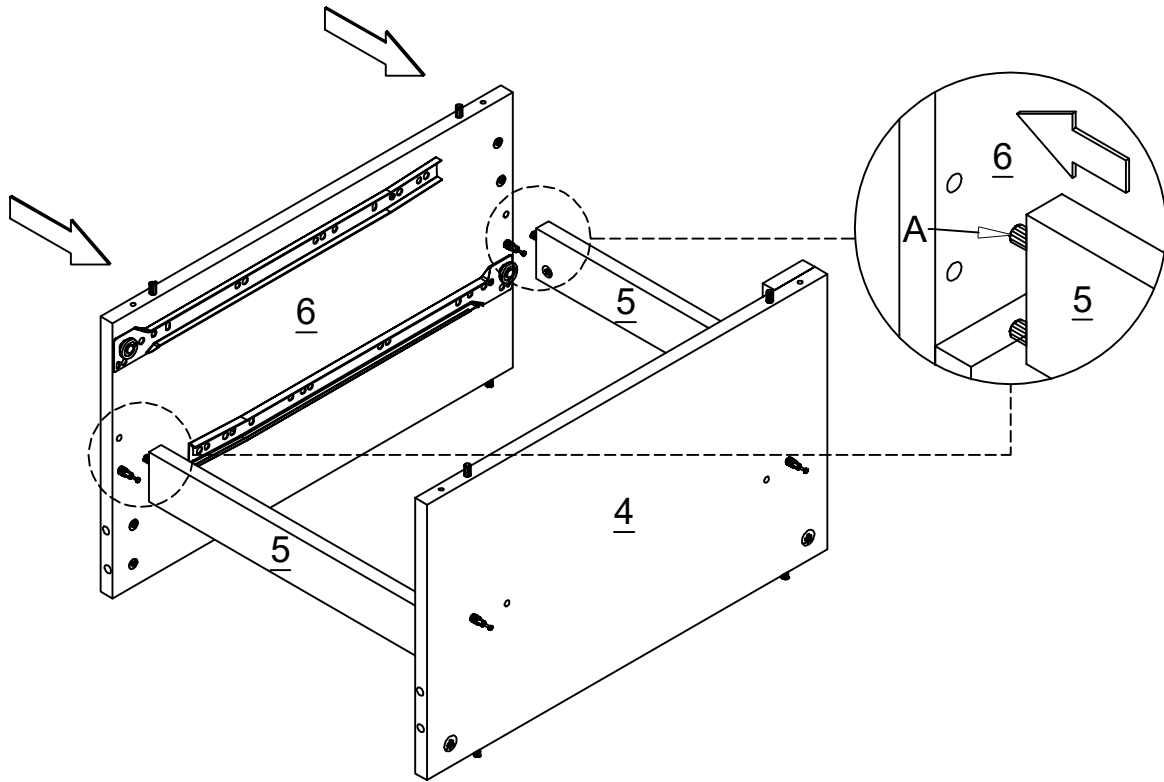
No.A
Quantity:8Pcs
Cam Bolt



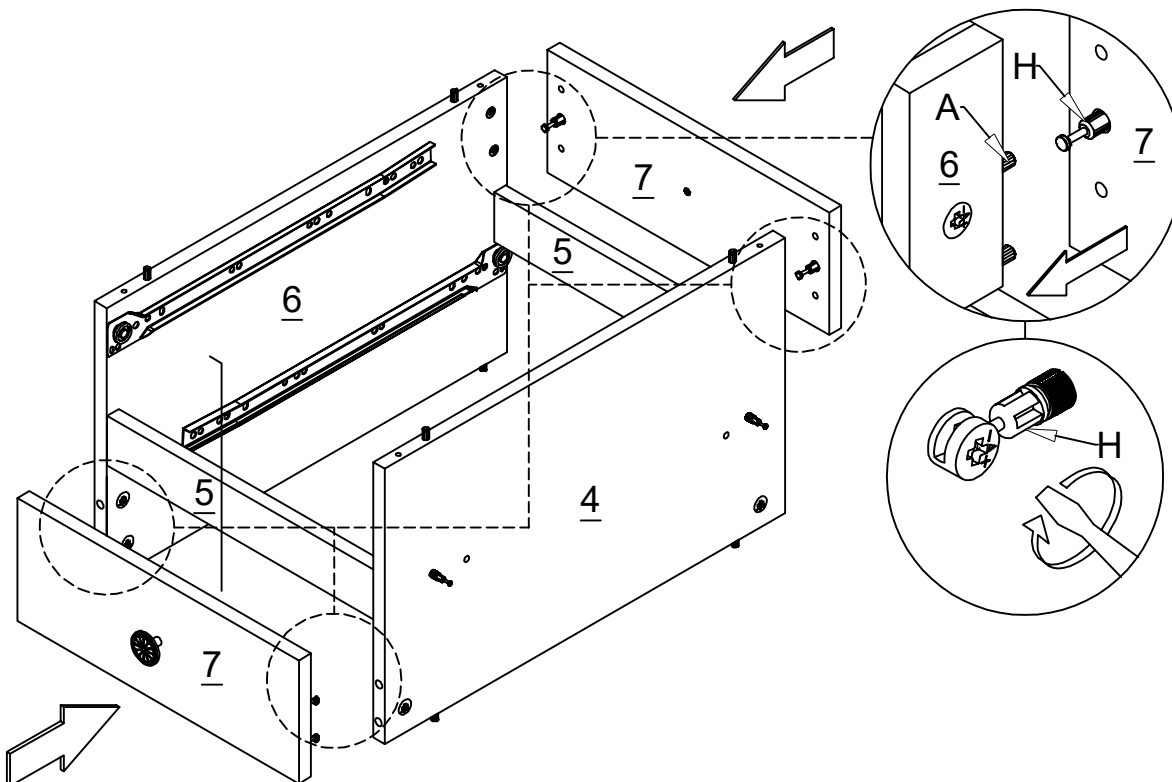
STEP12



STEP13

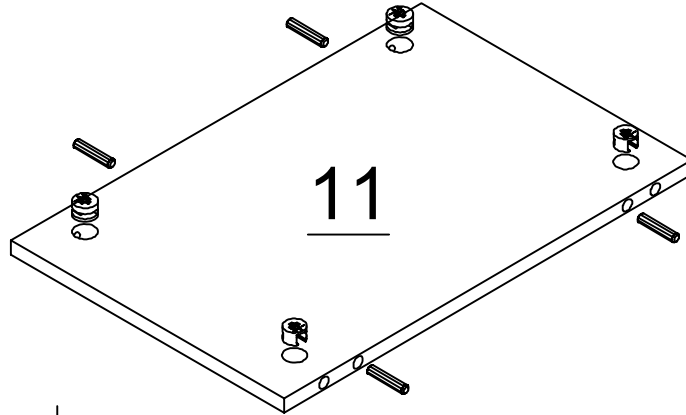


STEP14



STEP15

2X



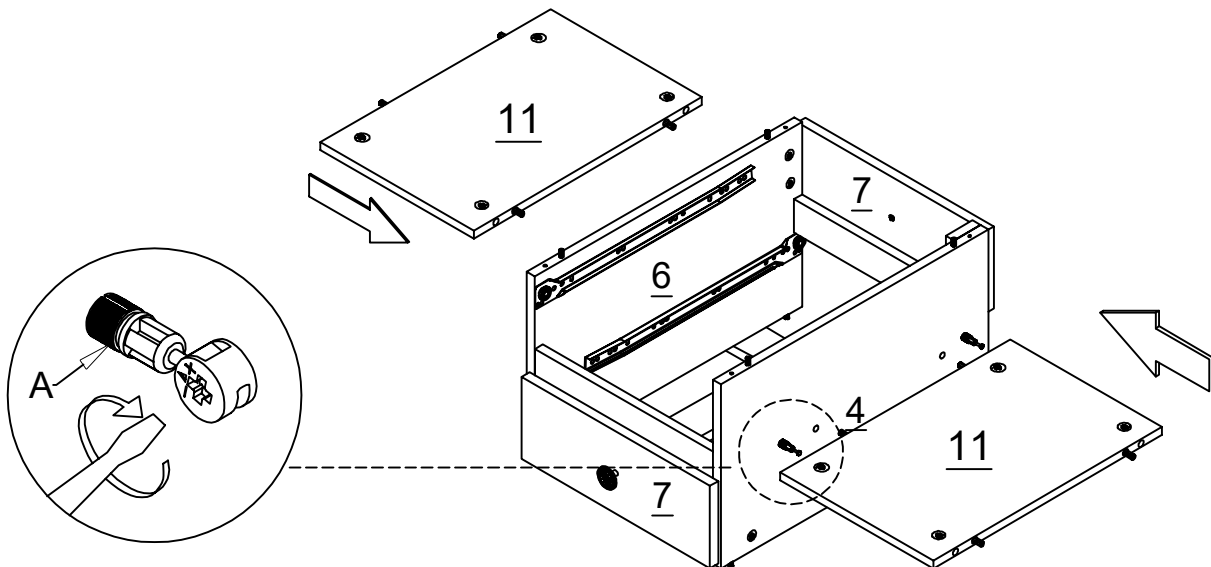
No.A
Quantity:8Pcs
Cam Nut



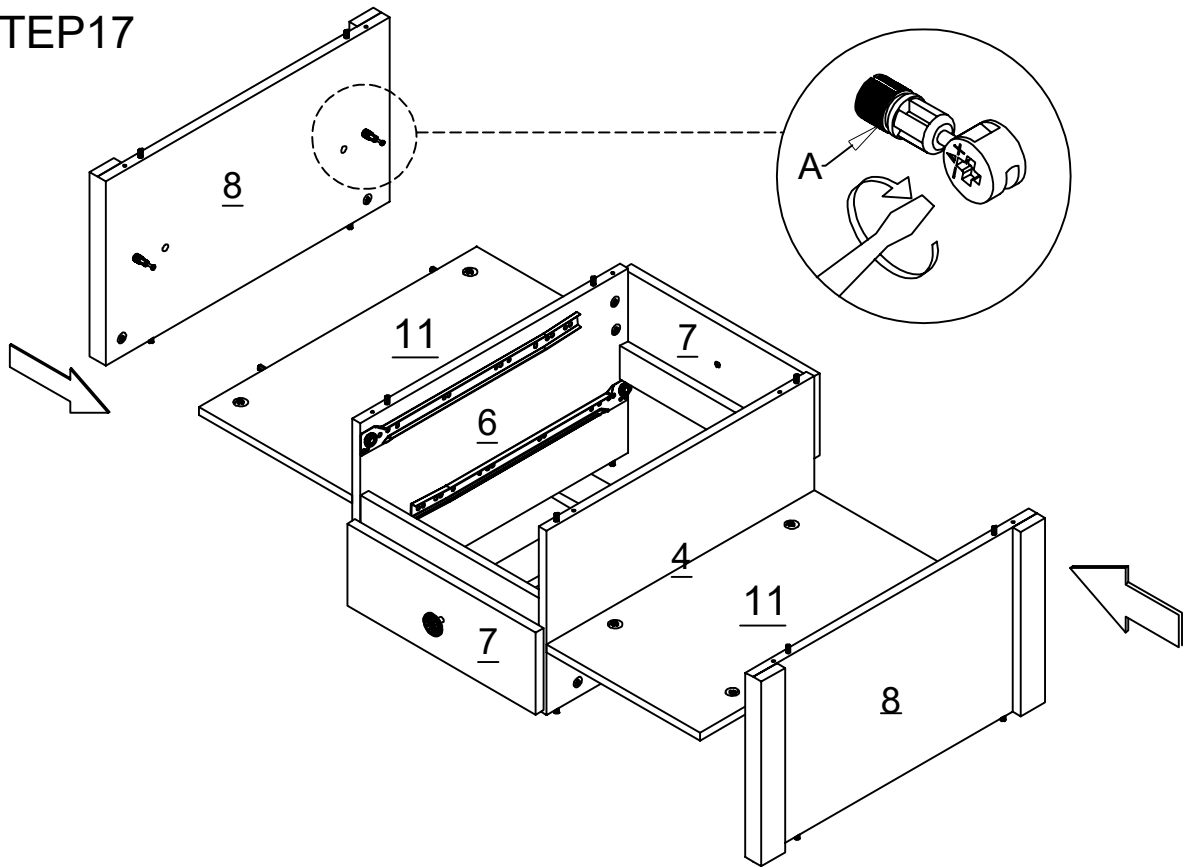
No.B
Quantity:8Pcs
Dowel



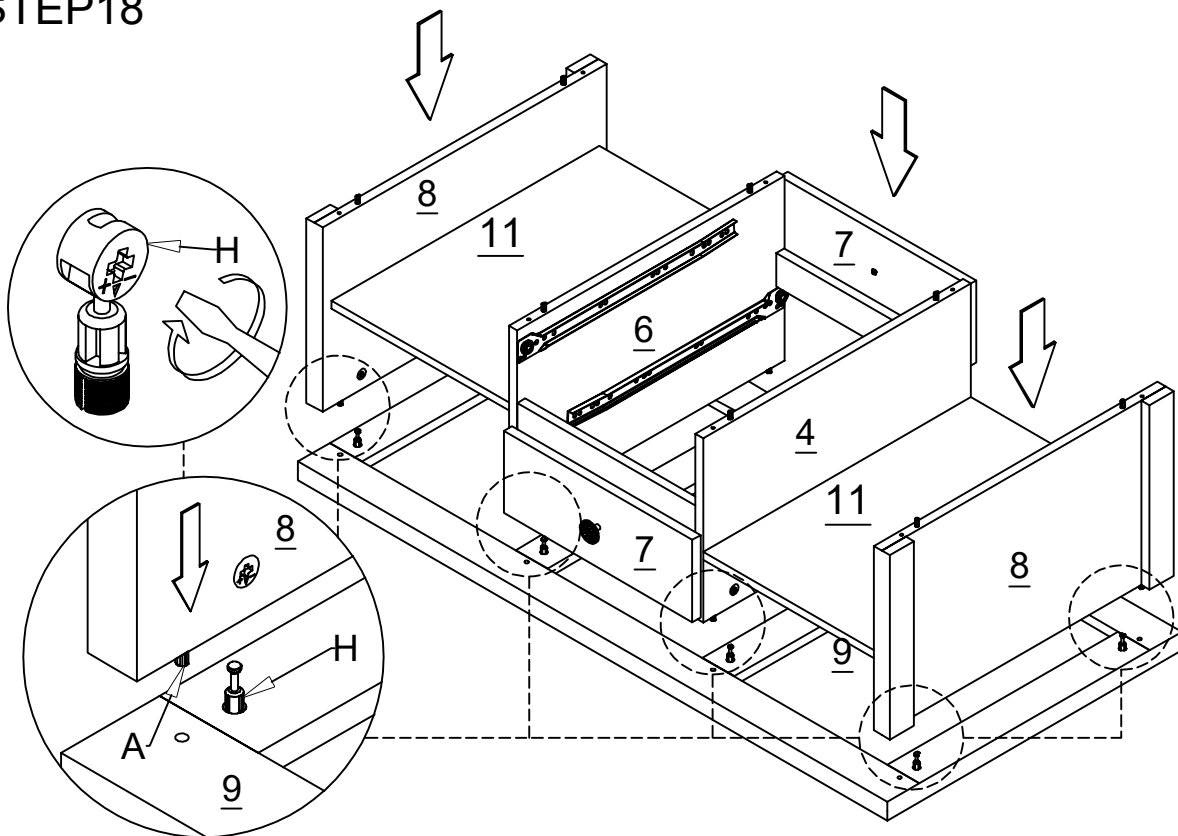
STEP16



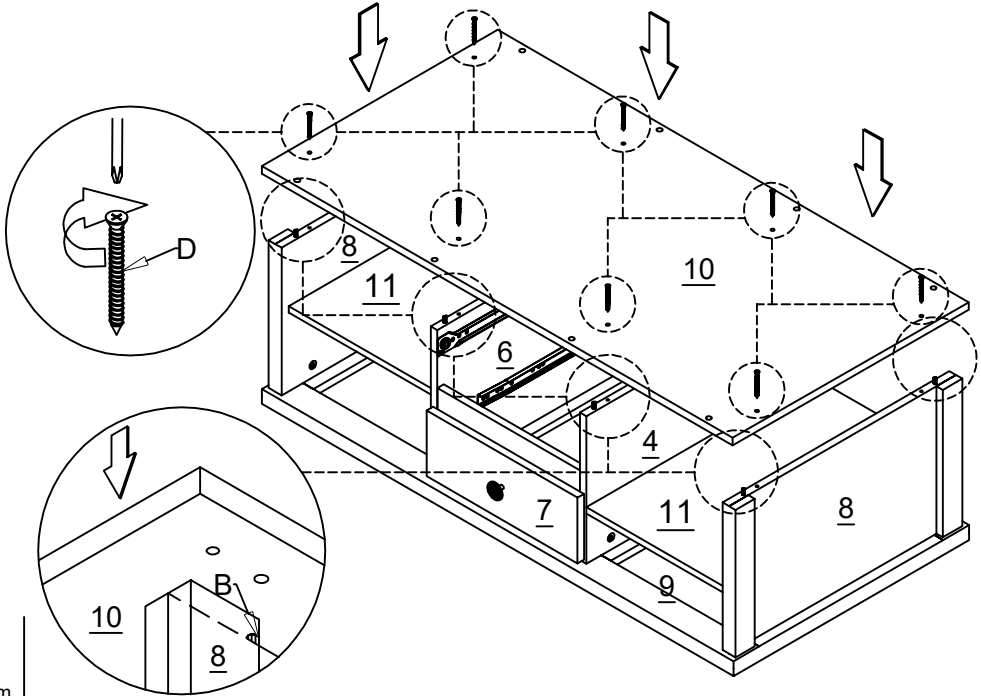
STEP17



STEP18



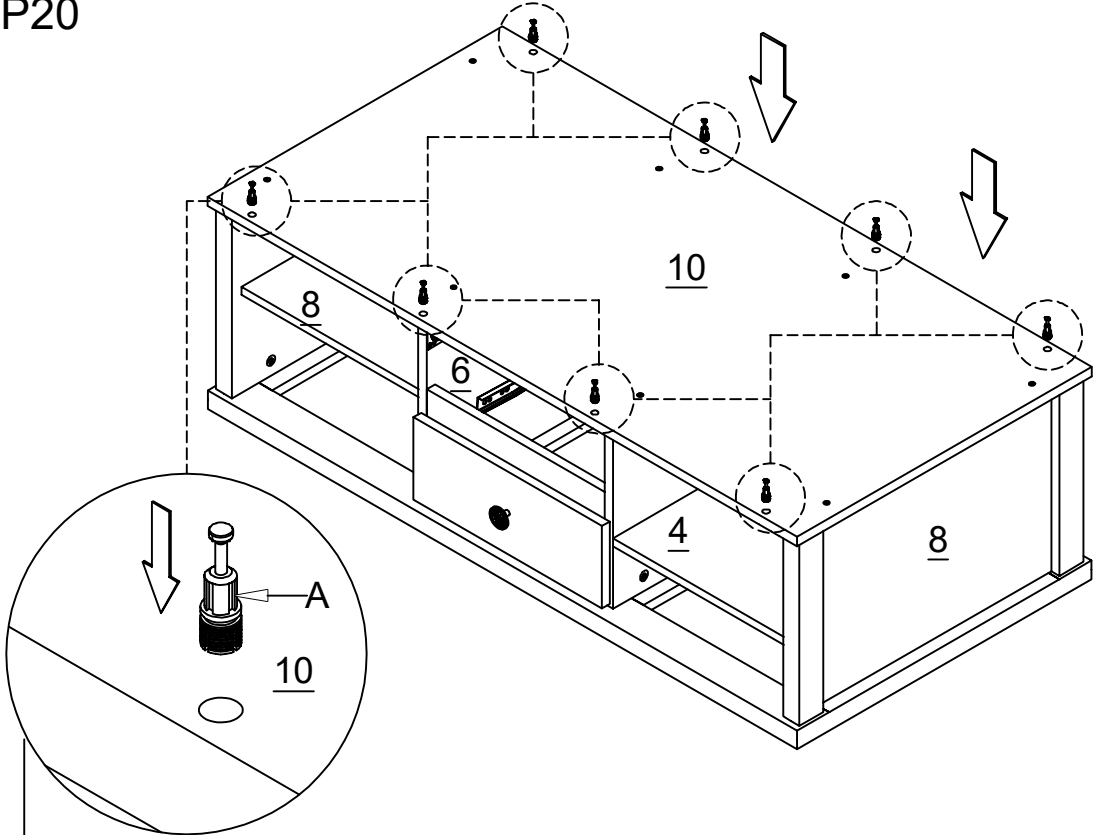
STEP19



No.D
Quantity:8Pcs
Screw M3.5*35mm



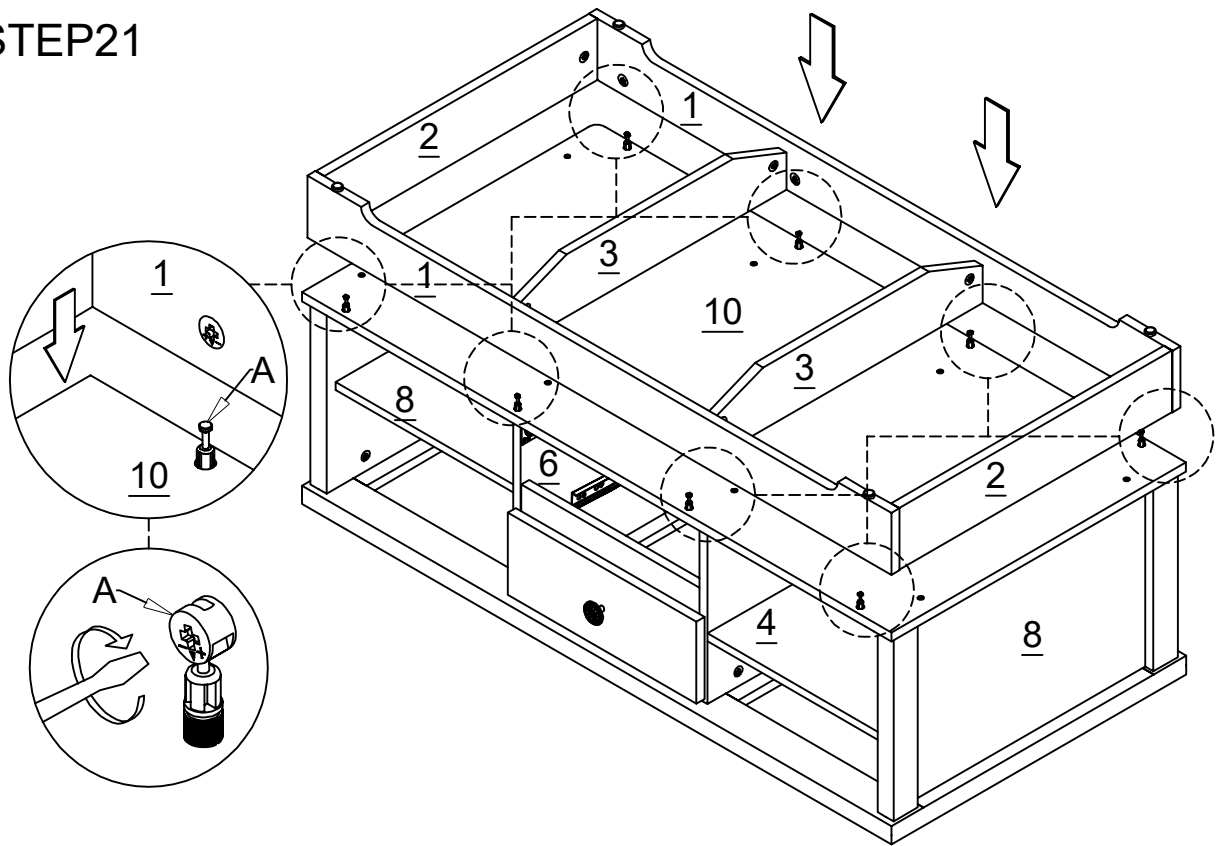
STEP20



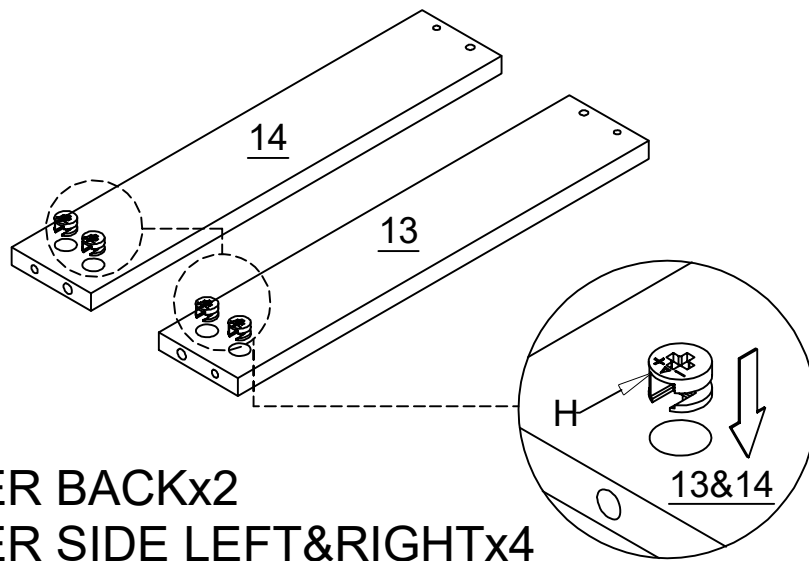
No.A
Quantity:8Pcs
Cam Bolt



STEP21



STEP22

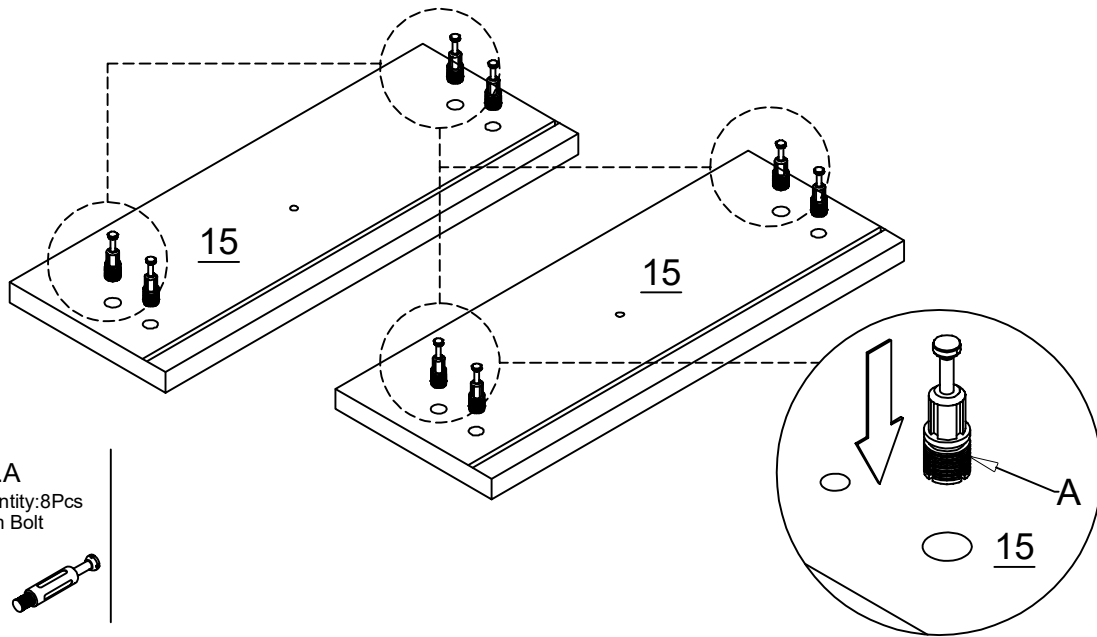


DRAWER BACKx2
DRAWER SIDE LEFT&RIGHTx4

No.A
Quantity:8Pcs
Cam Nut



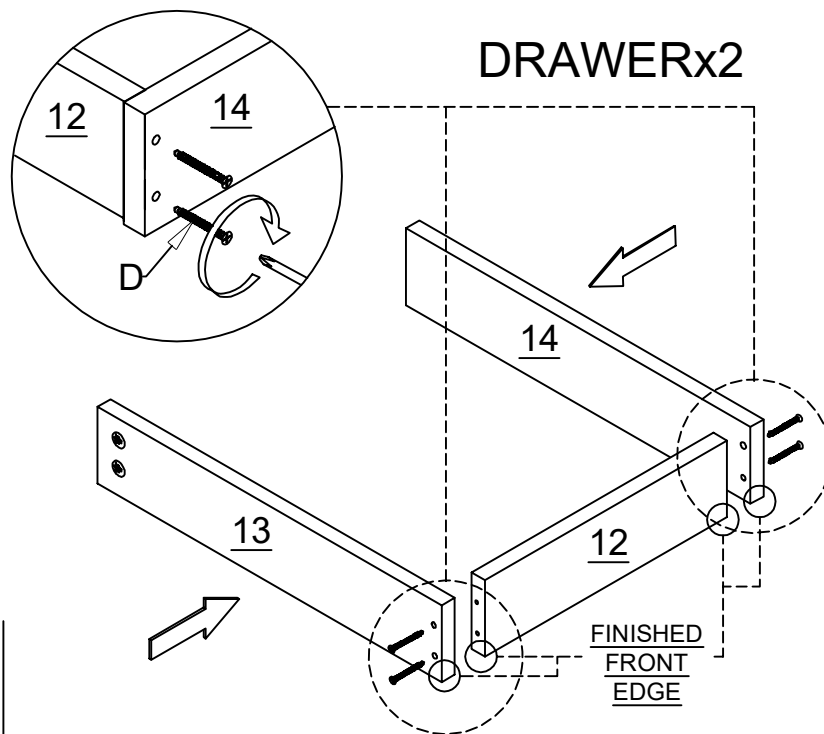
STEP23



No.A
Quantity:8Pcs
Cam Bolt



STEP24

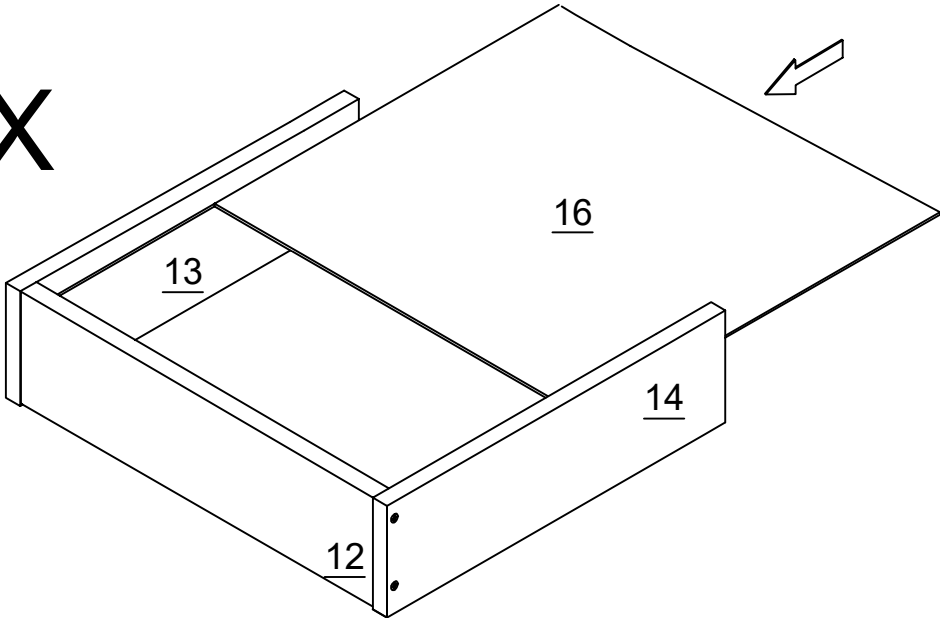


No.D
Quantity:8Pcs
Screw M3.5*35mm

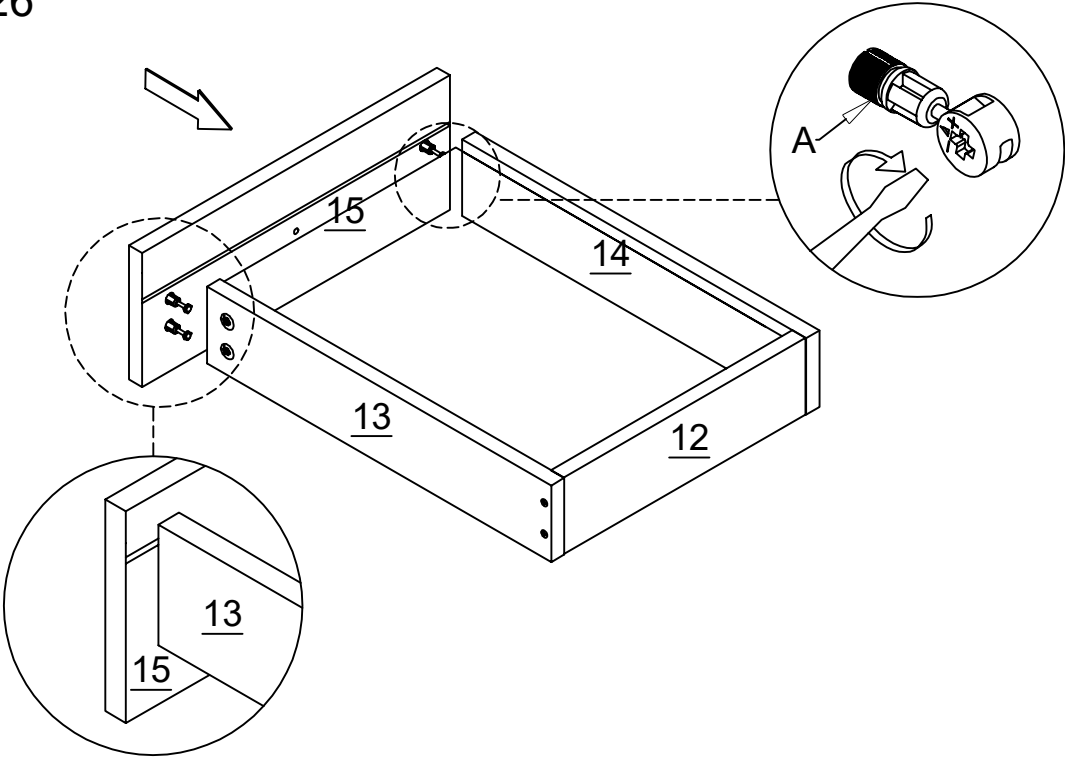


STEP25

2X

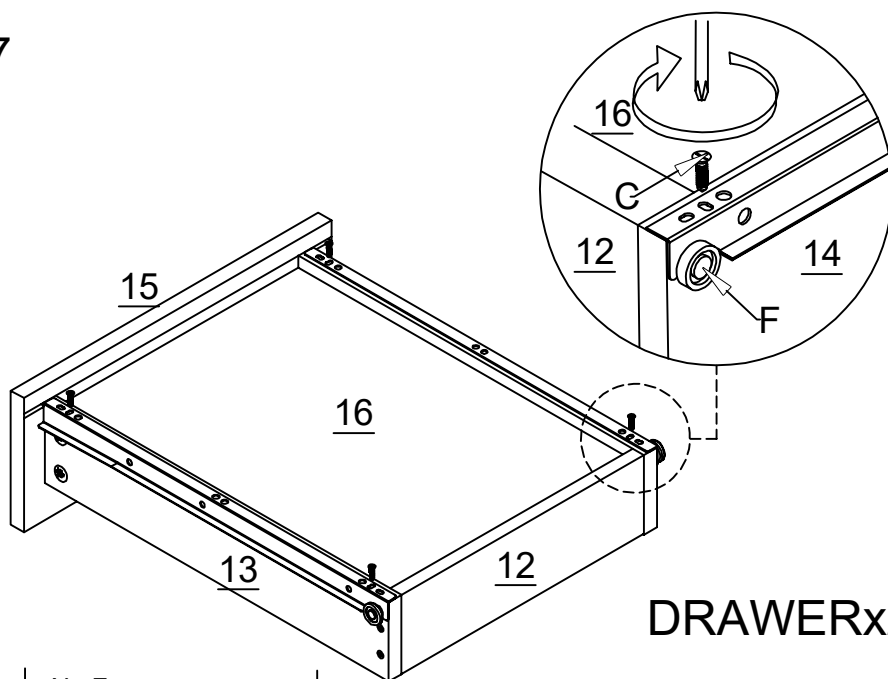


STEP26



DRAWERx2

STEP27



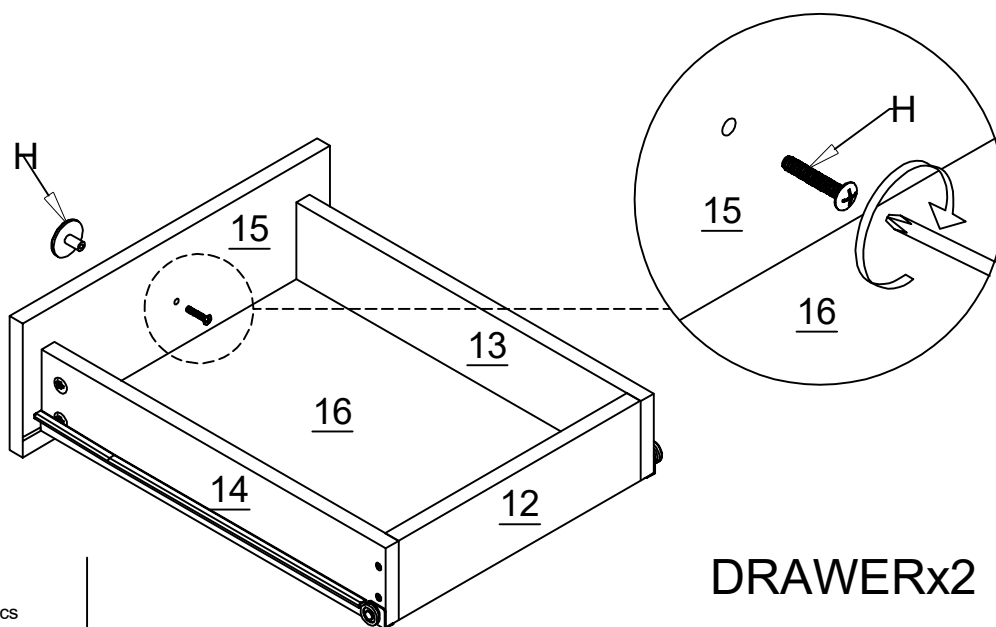
No.C
Quantity:8Pcs
Screw M3.5*14mm



No.F
Quantity:4Pcs
Drawer Runner



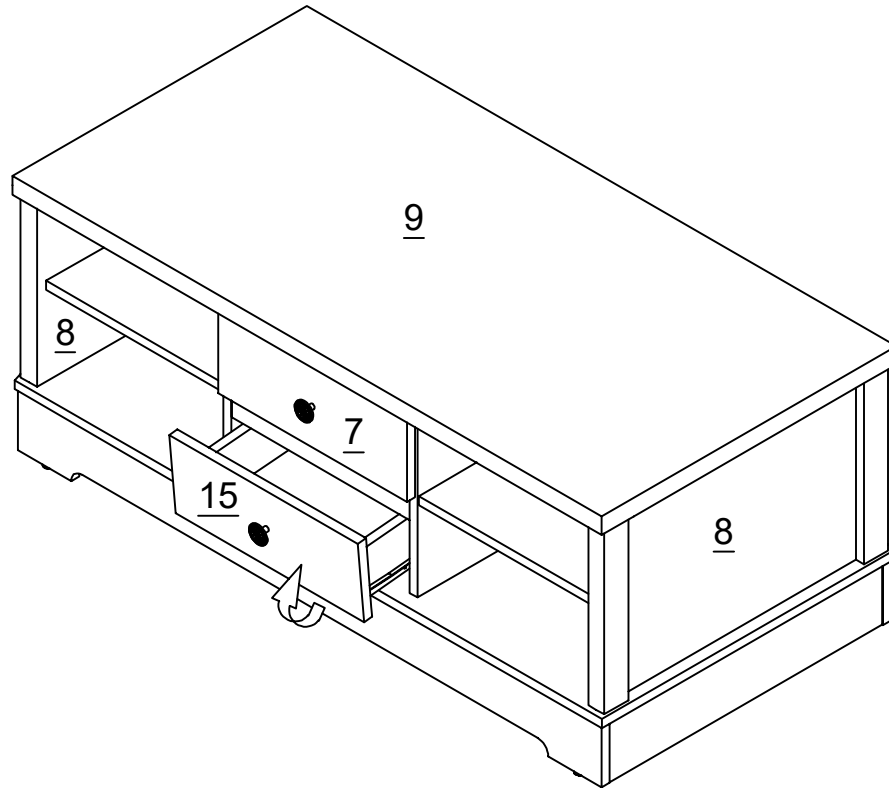
STEP28



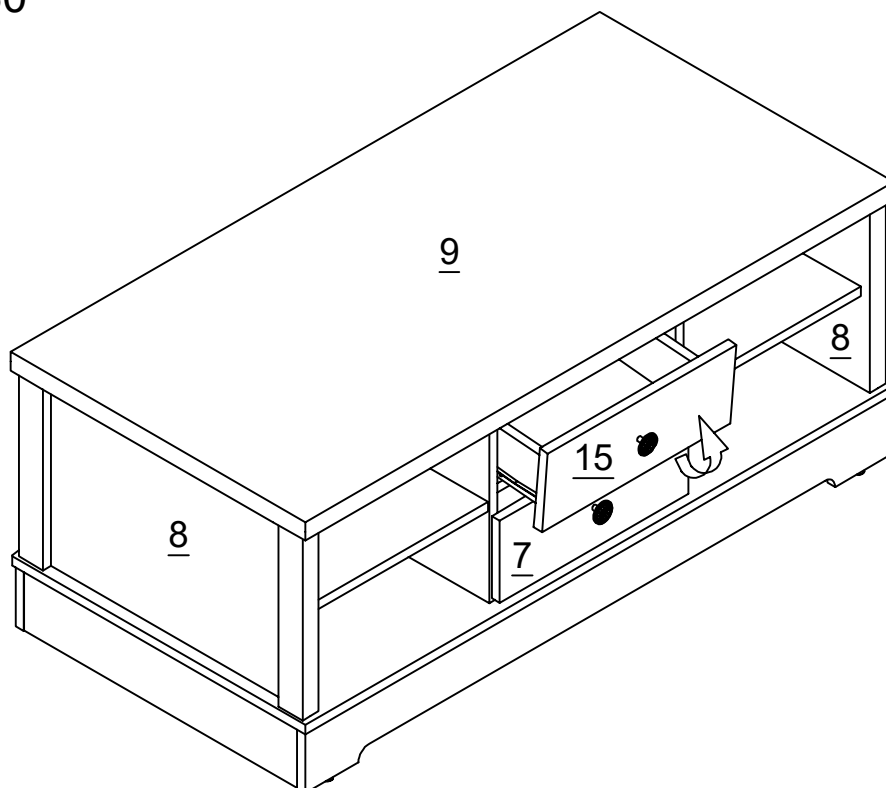
No.H
Quantity:2Pcs
Handle



STEP29



STEP30



lifely.com.au

Great Job, You're done!

Don't forget to share how it looks in
your space and tag us on Instagram.

[@lifelyhome#homewithlifely!](#)