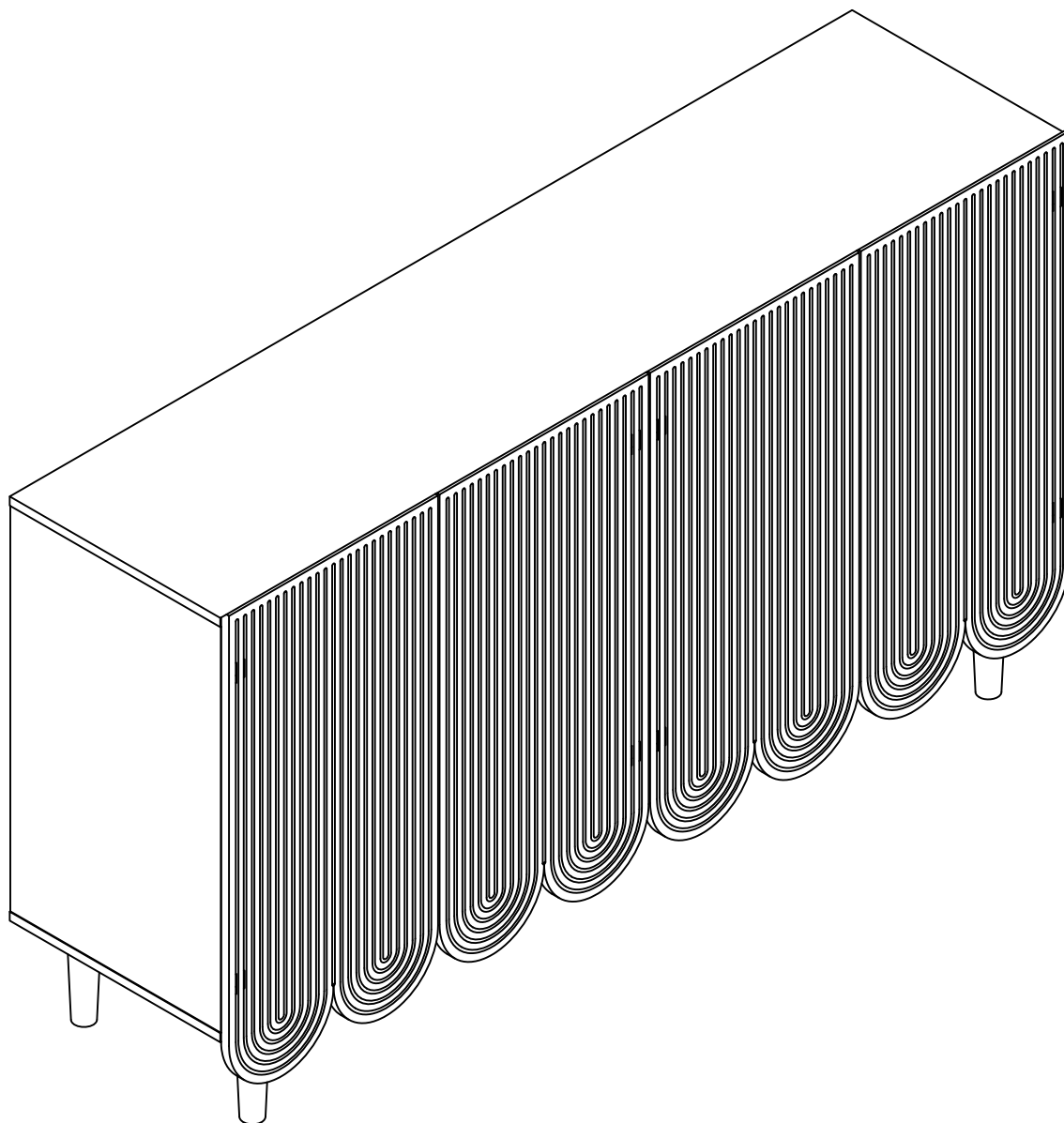


Assembly Instructions

Riley Series



Lifely*

Product Code

RILY-SB-160 Riley Sideboard

Dimensions (W x D x H)

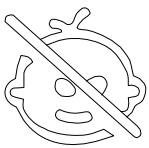
1600*415*898mm

Important

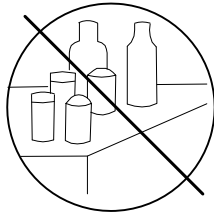
Please read through instruction carefully
Before assembly and keep for future reference.

For our full catalogue of assembly instructions,
Visit: lifely.com.au/assembly.

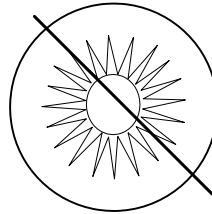
Important Tips and Maintenance



1. Keep children and animals away from working area as smaller parts may cause choking if swallowed.



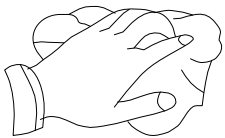
2. Never place liquids or anything damp upon furniture as it will mark. Ensure a coaster or running is beneath.



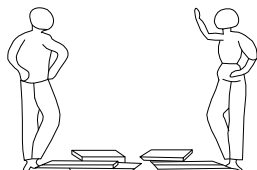
3. Never use ammonia based cleaning products as it will damage the finish.



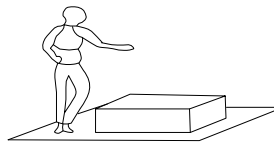
4. To avoid fading, keep furniture out of direct sunlight.



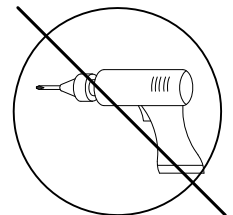
5. Use a soft or dry cloth when wiping or cleaning surfaces.



6. Two person are required.



7. Lay a soft matt down to protect the furniture piece before and during assembly.



8. NO POWER TOOLS

So your relationship is strong. But is it flat-pack furniture strong? Unless you're an aerospace engineer, assembling furniture can be slightly stressful. We recommend meditating quietly, pouring yourself a herbal tea (or slightly less herbal wine) and tackling things one step at a time. If you feel a passive aggressive remark coming on, try a compliment instead. E.g. "You're so good looking."

This 13-step assembly should take around 59 minutes with an Allen key - or 46 minutes with an electric drill.

Designed for everyday

Component Hardware are in box 1
 Please check you have all the fittings
 part or tools are listed in below.

No. A
 Quantity:29 Pcs
 Cam
 ϕ 15*12mm



No. B
 Quantity:29 Pcs
 Cam Lock Dowel
 ϕ 7*25



No. C
 Quantity:4 Pcs
 Angle plastic
 ϕ 3*18mm



No. D
 Quantity:70 Pcs
 Screw
 ϕ 3.5*14mm



No. E
 Quantity:8 Pcs



No. F
 Quantity:14 Pcs
 Wood Dowel
 ϕ 8*30mm



No. G
 Quantity:5 Pcs
 EVA Pad
 ϕ 15



No. H
 Quantity:29 Pcs
 Cover
 ϕ 21mm



No. I
 Quantity:4 Pcs
 Spring Hinge
 ϕ 35mm



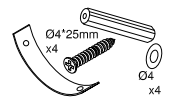
No. J
 Quantity:4 Pcs
 Spring Hinge
 ϕ 35mm



No. K
 Quantity:5 Pcs
 Screw
 M8*25mm



No. L
 ϕ 4*25mm
 ϕ 4
 ϕ 4
 L=200mm



No. M
 Quantity:1 Pc
 Key
 5mm



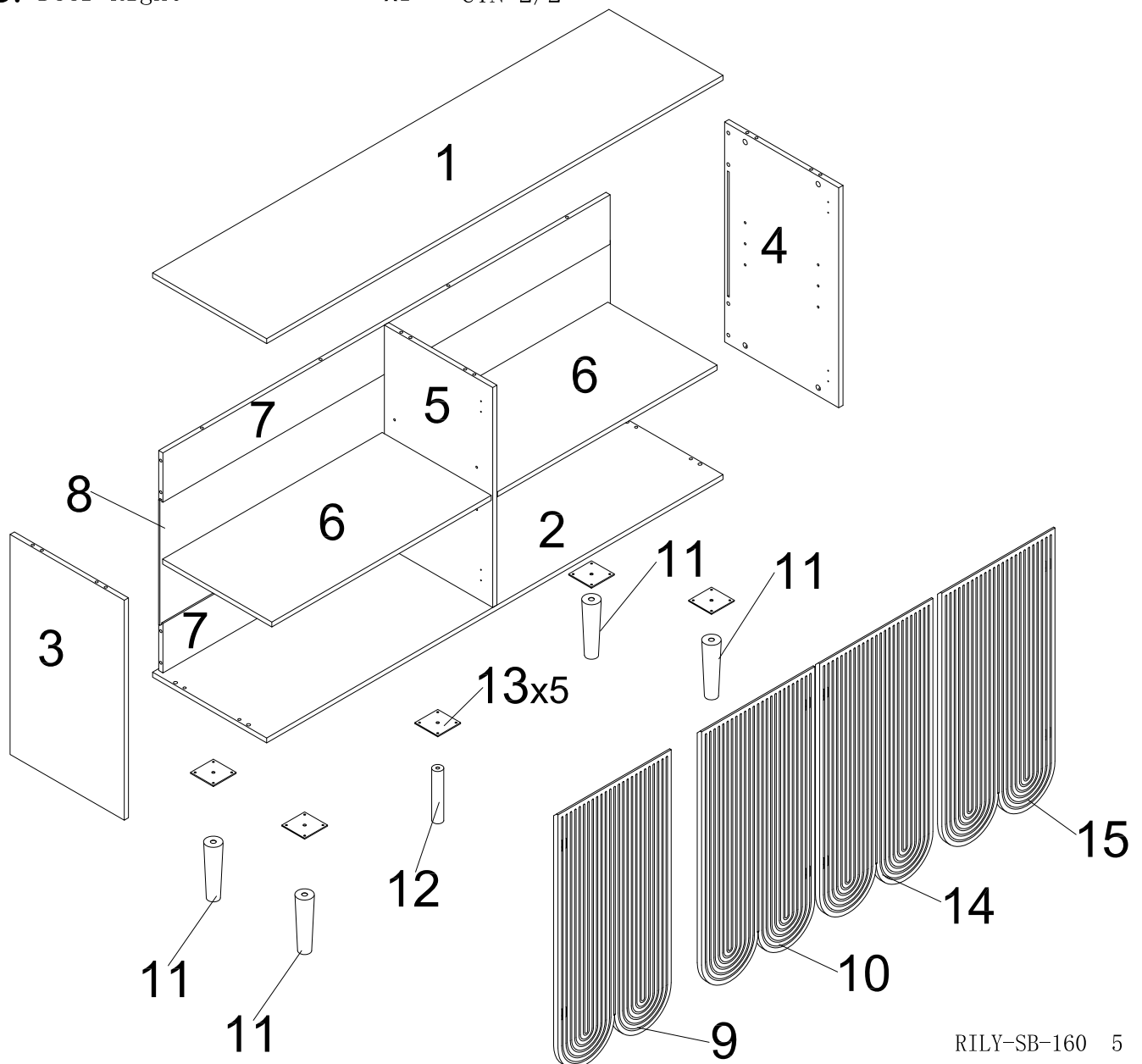
No. N
 Quantity:1 Pc
 Key



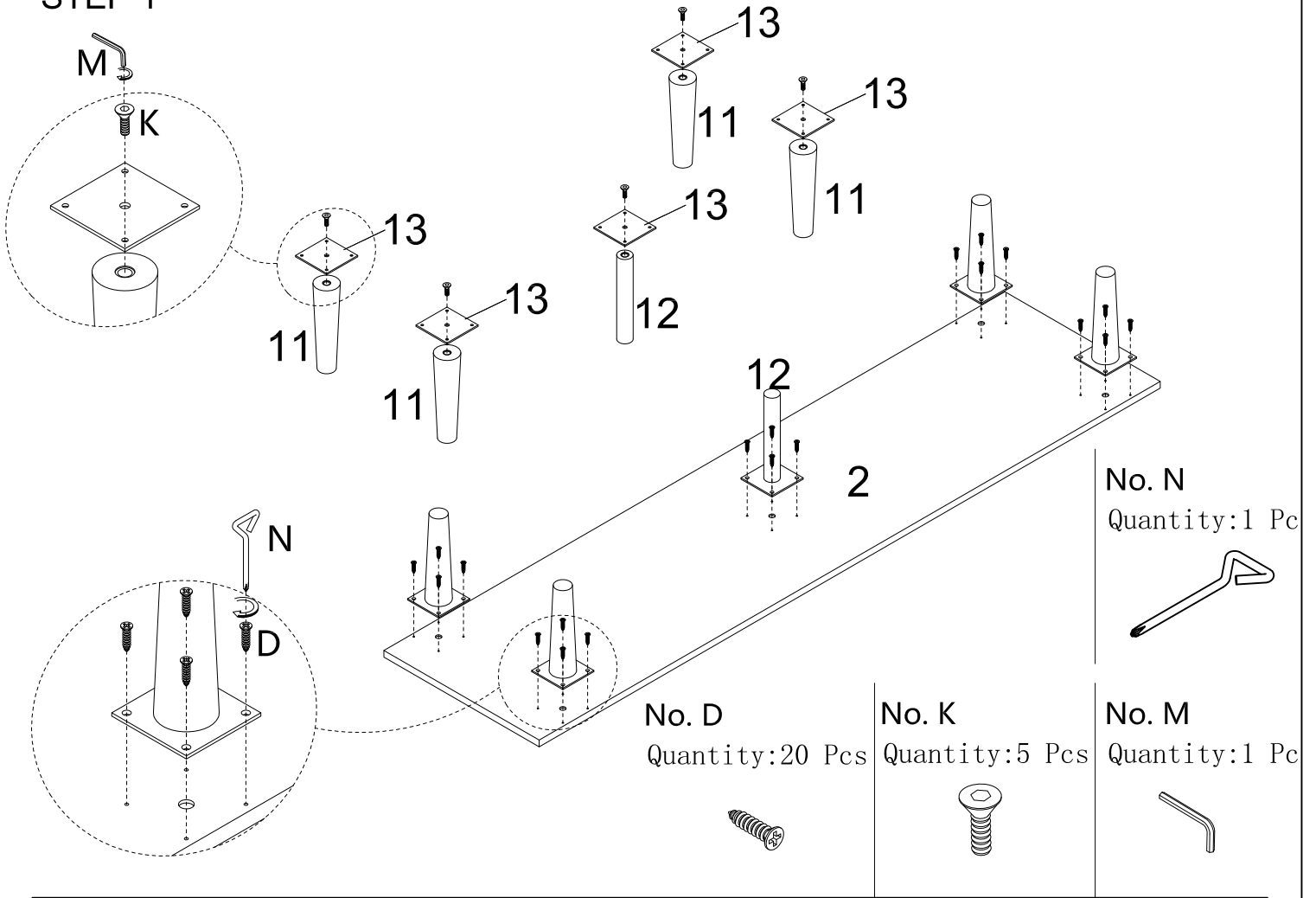
Component Panels & part List

Please check you have all the panels are listed below.

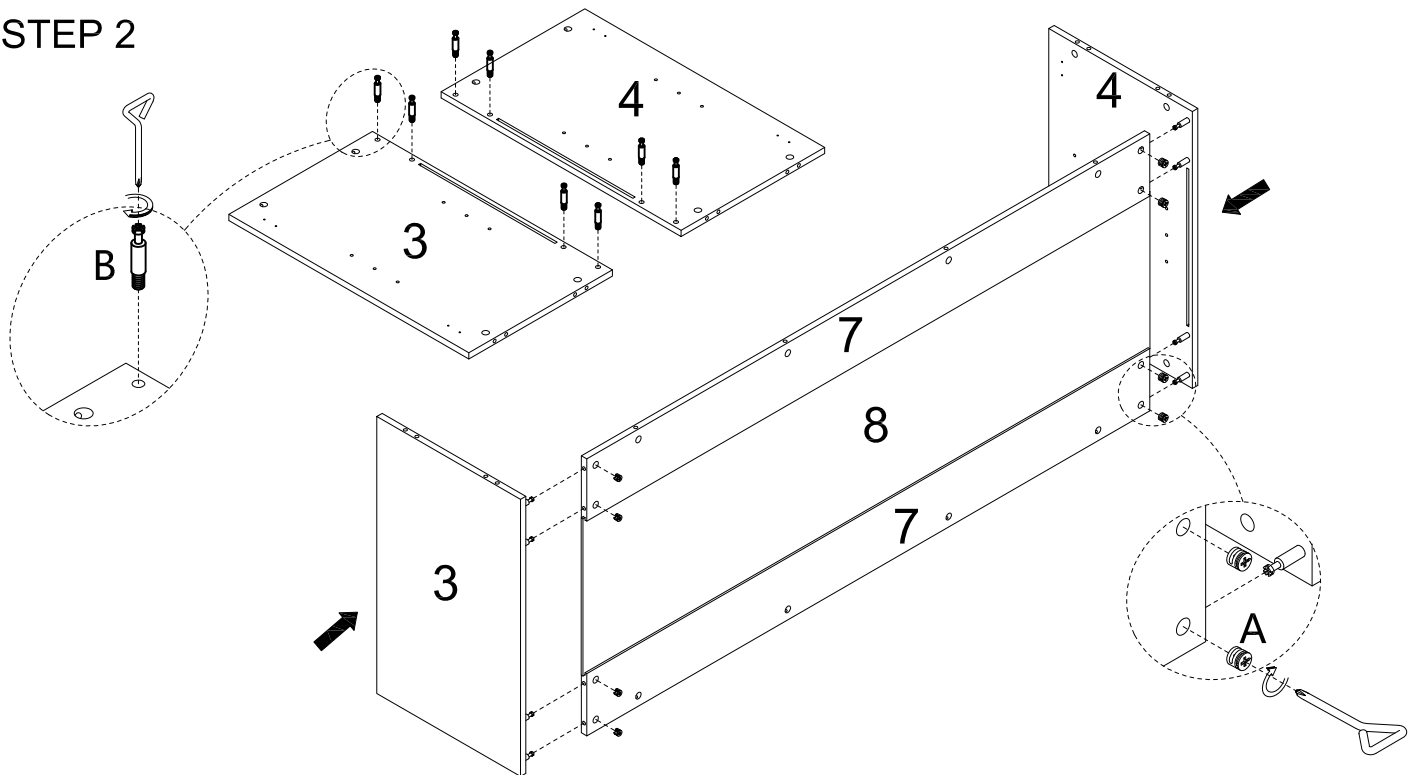
- | | | | |
|-----|------------------------|-----|---------|
| 1. | Top Panel----- | -x1 | CTN 1/2 |
| 2. | Bottom Panel----- | -x1 | CTN 1/2 |
| 3. | Side Panel-Left----- | -x1 | CTN 2/2 |
| 4. | Side Panel-Right----- | -x1 | CTN 2/2 |
| 5. | Division Panel----- | -x1 | CTN 2/2 |
| 6. | Shelf----- | -x2 | CTN 1/2 |
| 7. | Back Supporting----- | -x2 | CTN 1/2 |
| 8. | Back Panel----- | -x1 | CTN 1/2 |
| 9. | Door-Left----- | -x1 | CTN 2/2 |
| 10. | Door-Middle Right----- | -x1 | CTN 2/2 |
| 11. | Side Leg----- | -x4 | CTN 2/2 |
| 12. | Middle Leg----- | -x1 | CTN 2/2 |
| 13. | Metal Bar----- | -x5 | CTN 1/2 |
| 14. | Door-Middle Left----- | -x1 | CTN 2/2 |
| 15. | Door-Right----- | -x1 | CTN 2/2 |



STEP 1



STEP 2

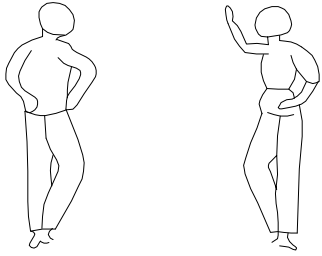


No. A
Quantity: 8 Pcs

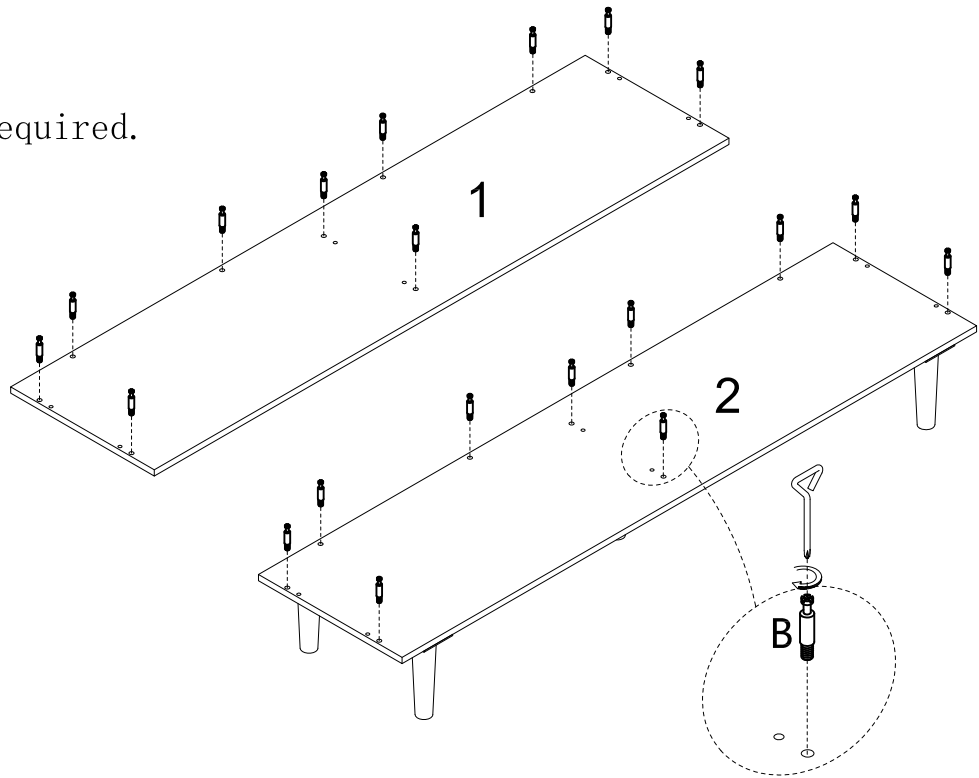
No. B
Quantity: 8 Pcs



STEP 3



Two person are required.



No. B

Quantity:20 Pcs



STEP 4

No. G

Quantity:5 Pcs



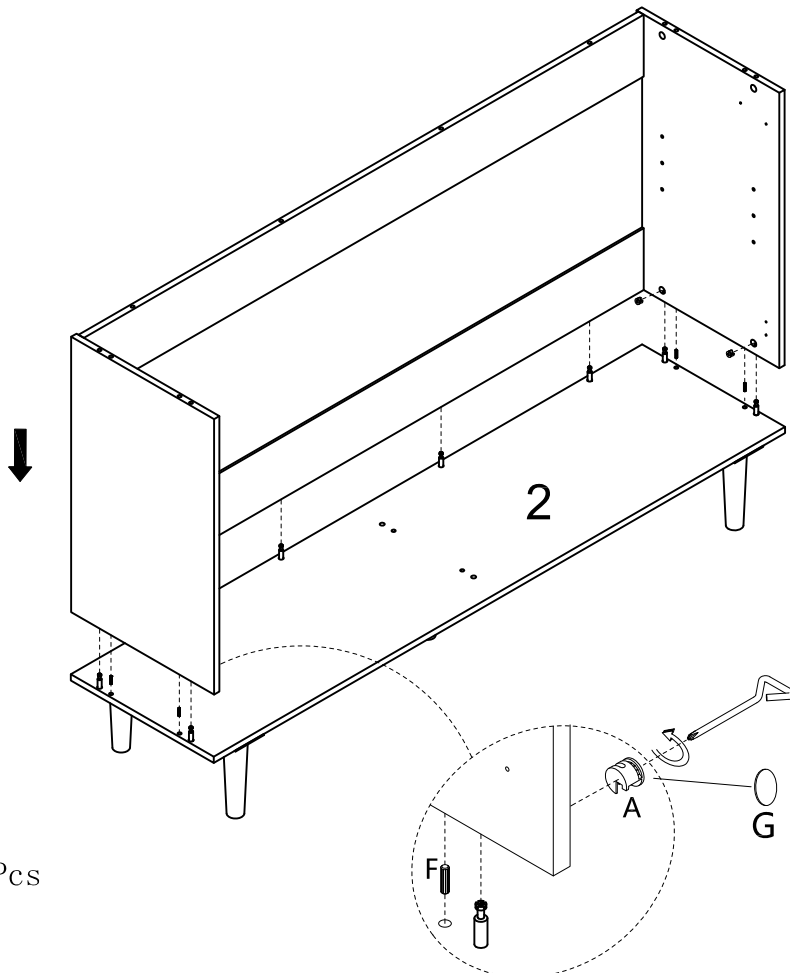
No. A

Quantity:8 Pcs

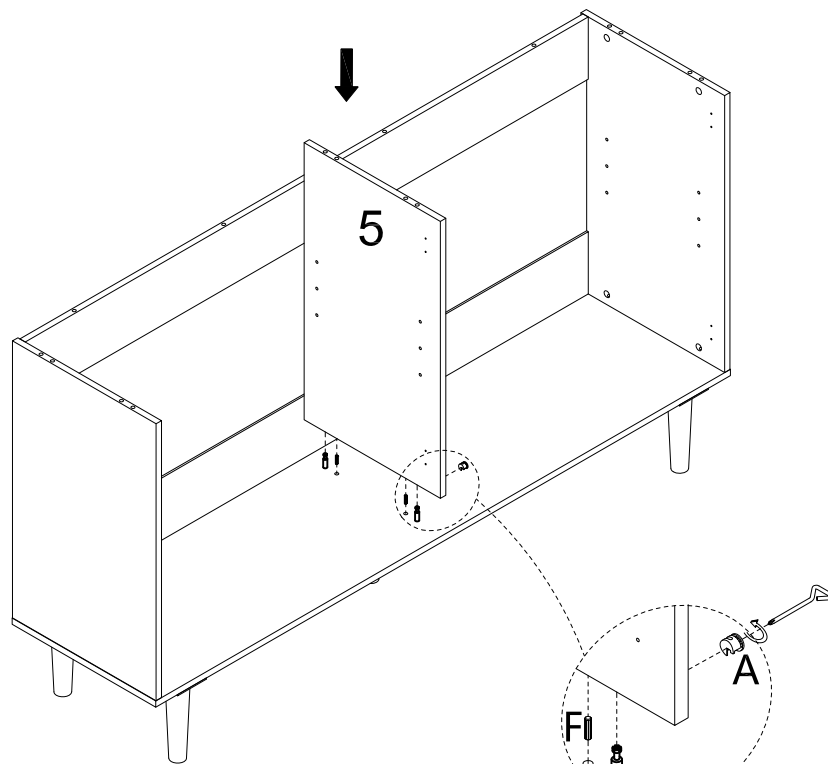


No. F

Quantity:4 Pcs



STEP 5



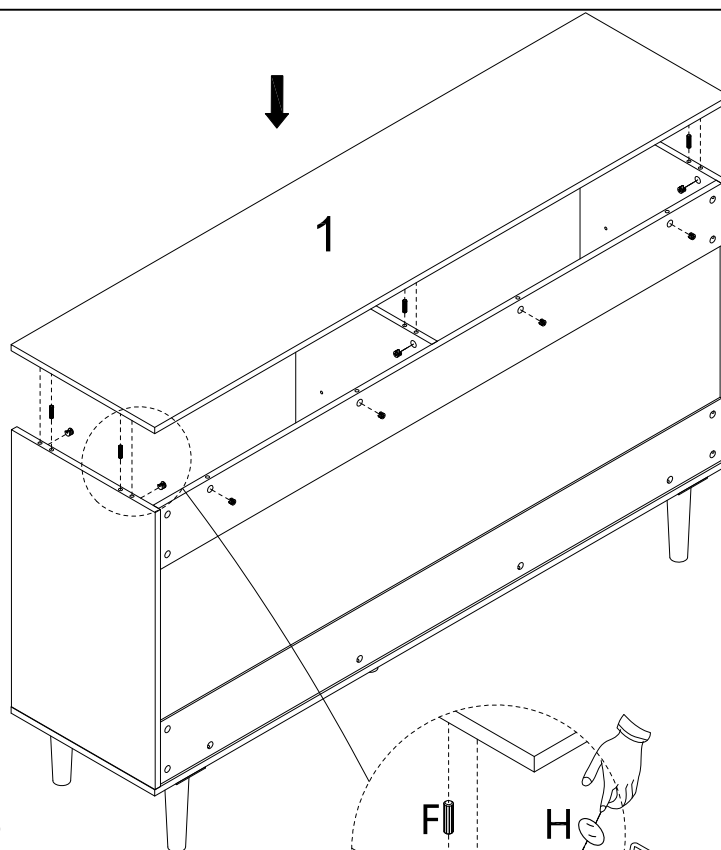
No. A
Quantity:2 Pcs



No. F
Quantity:2 Pcs



STEP 6



No. A
Quantity:10 Pcs



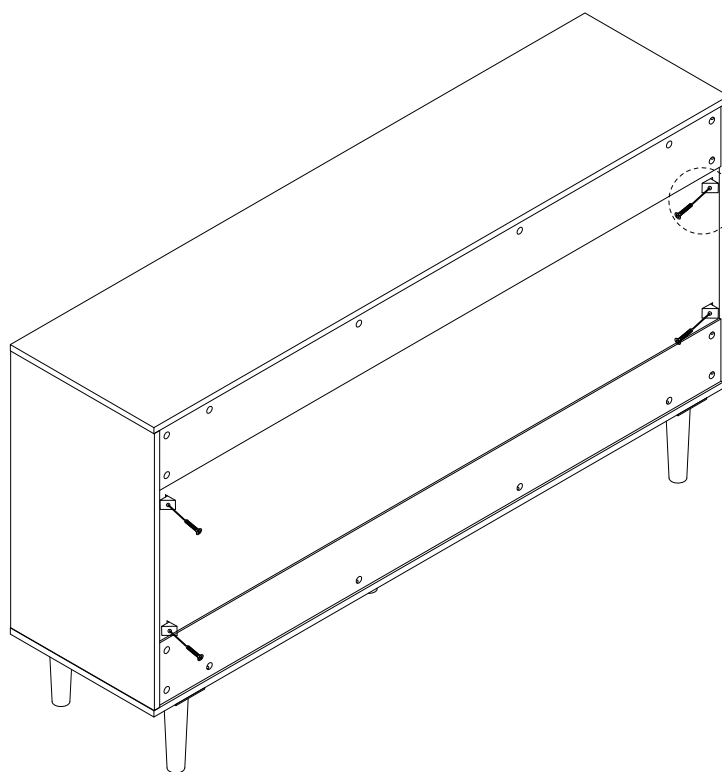
No. F
Quantity:6 Pcs



No. H
Quantity:28 Pcs

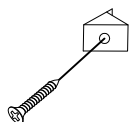


STEP 7

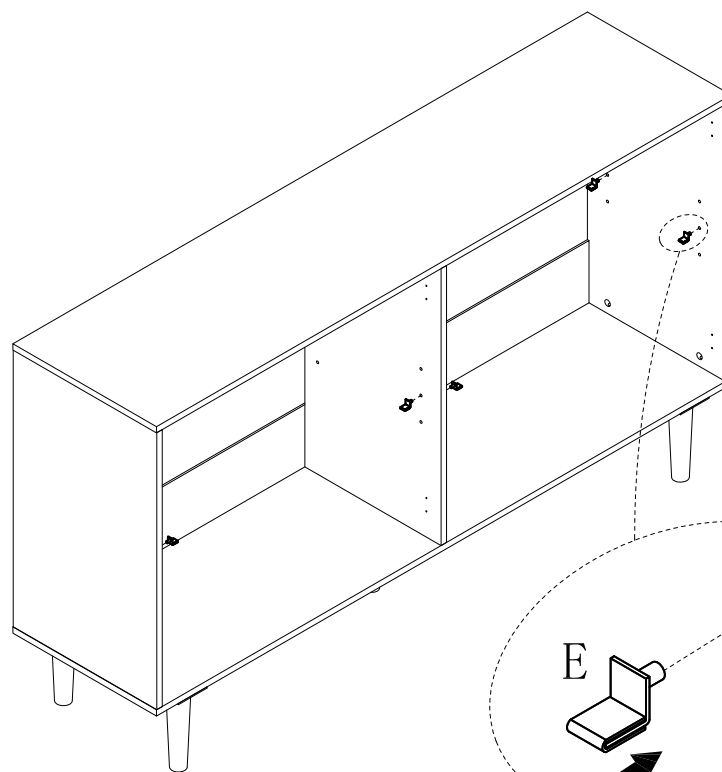


No. C

Quantity:4 Pcs



STEP 8

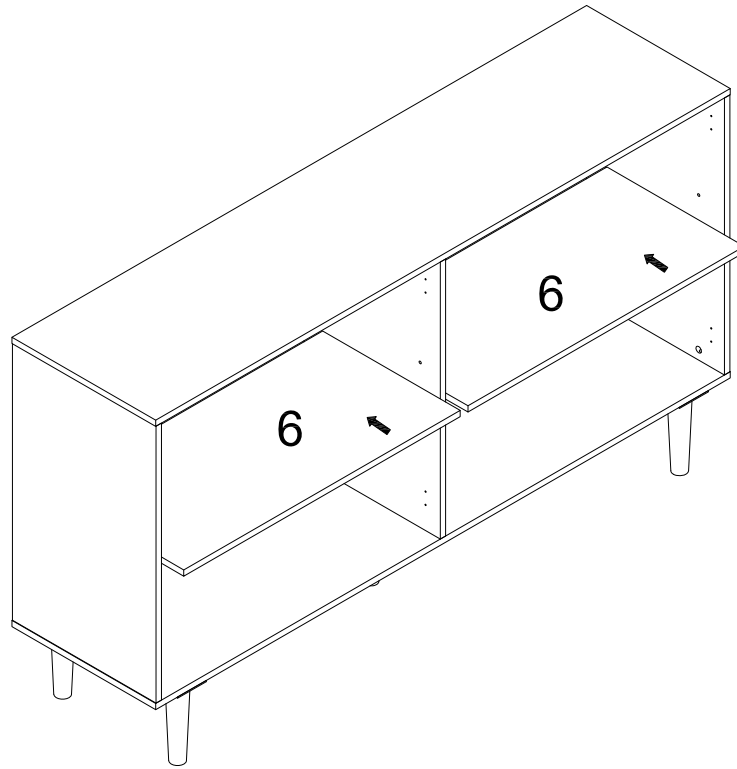


No. E

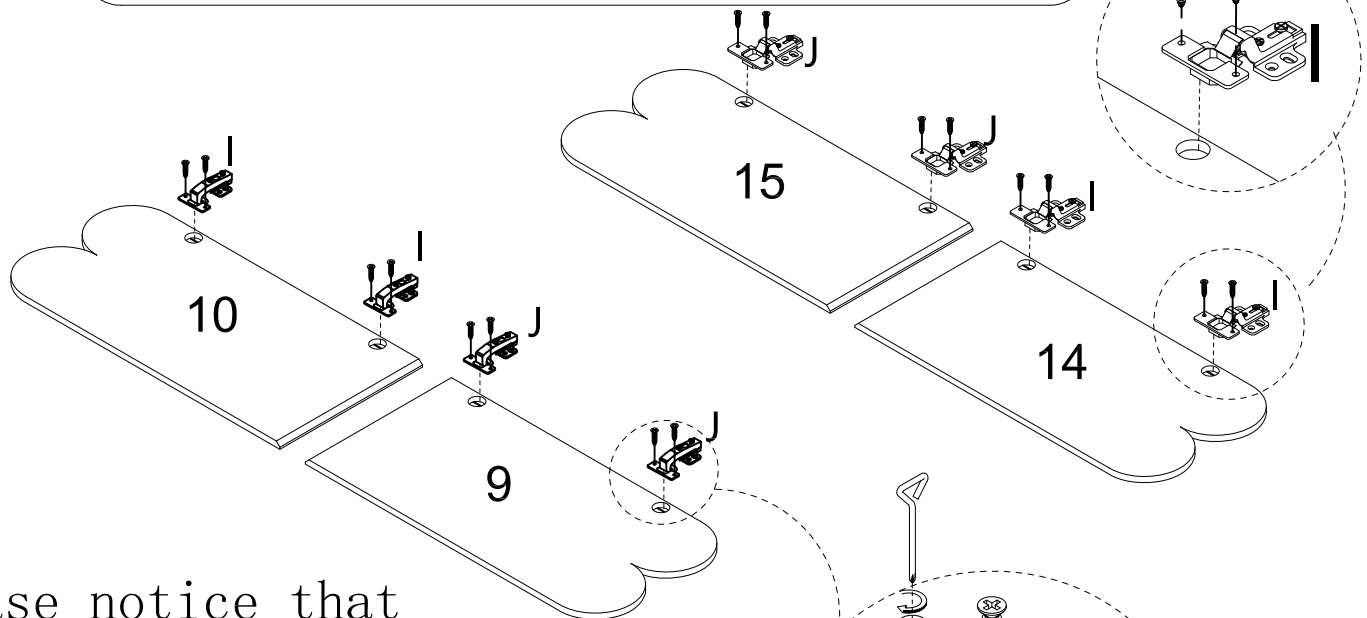
Quantity:8 Pcs



STEP 9

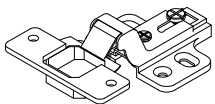


STEP 10 To avoid mixing up the spring hinges, please unpack one and install it before unpacking another one.

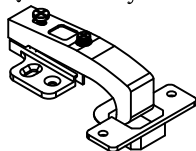


Please notice that I and J is different hinge.

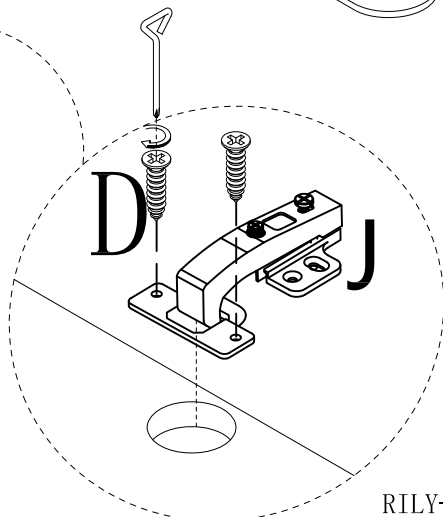
No. I
Quantity: 4 Pcs



No. J
Quantity: 4 Pcs



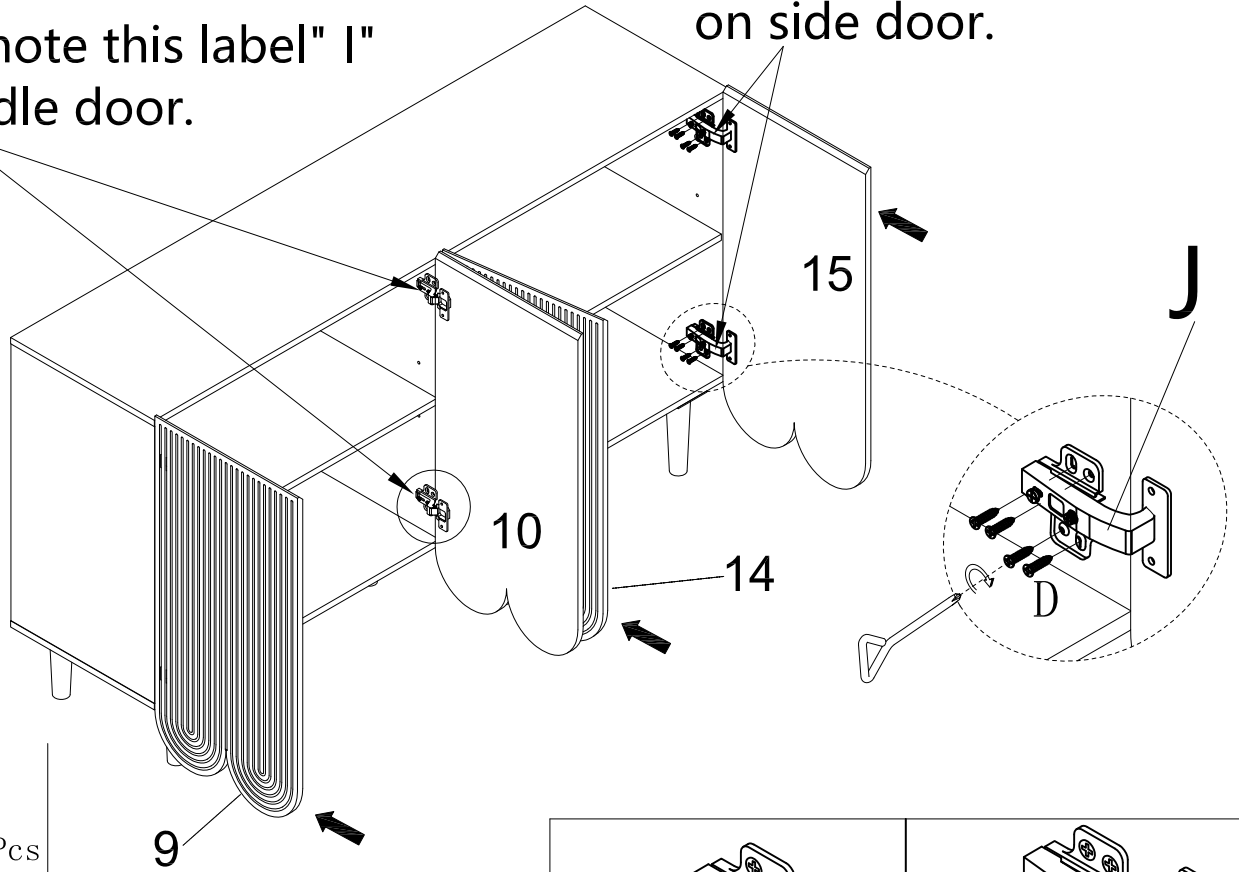
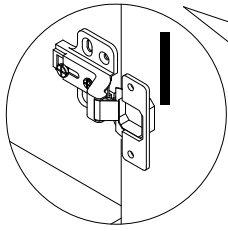
No. D
Quantity: 16 Pcs



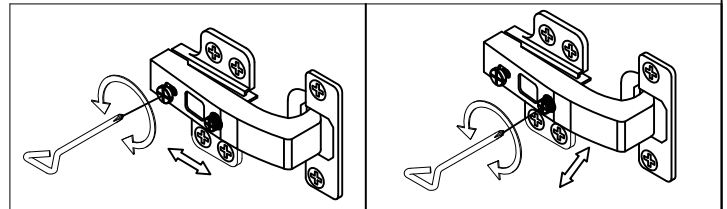
STEP 11

Please note this label " I" on middle door.

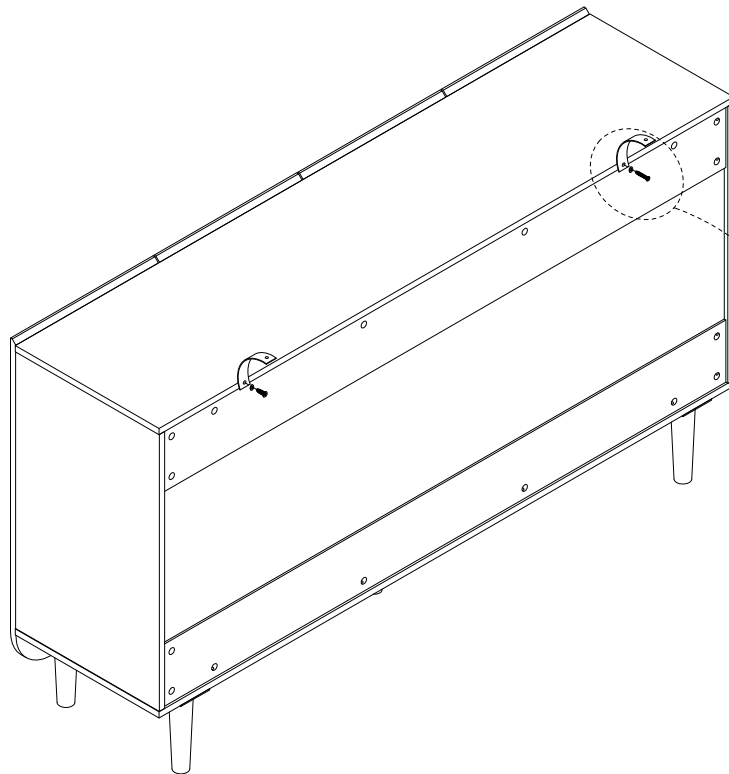
Please note this label " J" on side door.



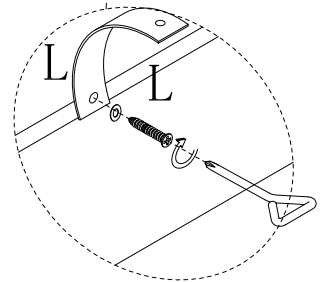
No. D
Quantity:32 Pcs



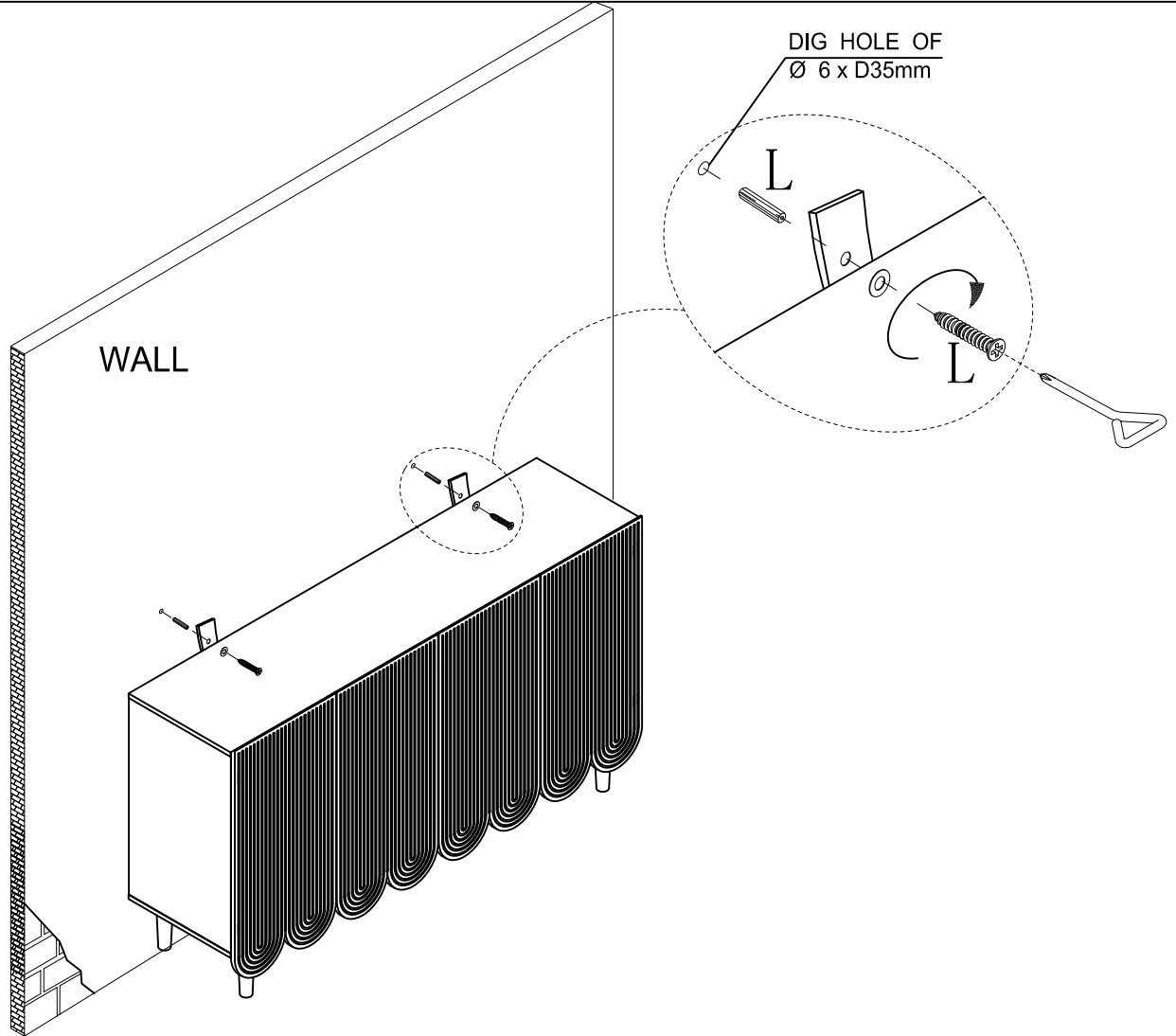
STEP 12



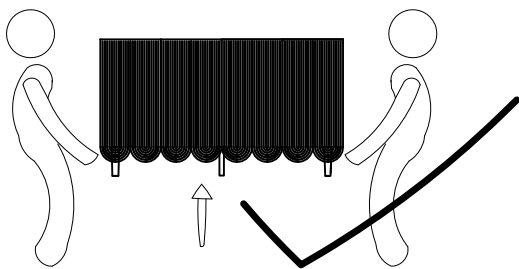
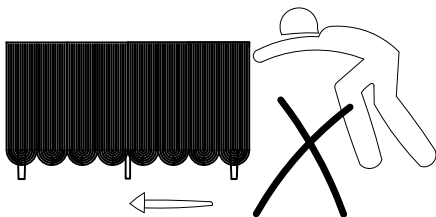
No. L
Quantity:2 Pcs



STEP 13



If you want to move this sideboard, please make sure two people lift it, don't push sideboard otherwise will damage the leg.



No. L

Quantity: 2 Pcs



TOPPLING FURNITURE WARNING:

- It is strongly recommended that this product is permanently fixed to the wall.
- Please seek professional advice if you are in doubt of what fixing device to use.
- Regularly check that anchors are securely maintained.
- Stability of tall items may be affected by thick pile carpet or uneven floors .
- Do not place unanchored televisions on furniture .

CAUTION: for your safety when attaching the anchor fixings, please note the following:

- Check any electrical wires or plumbing inside the wall before drilling any holes (if you are unsure please seek professional advice from a qualified tradesperson).



WARNING: PLEASE SECURE YOUR FURNITURE WITH THE SUPPLIED WALL FIXING. SCAN THE CODE FOR MORE INFORMATION.



lifely.com.au

Great job. You're done!

Don't forget to share how it looks in
your space and tag us on Instagram.

@lifelyhome #homewithlifely!