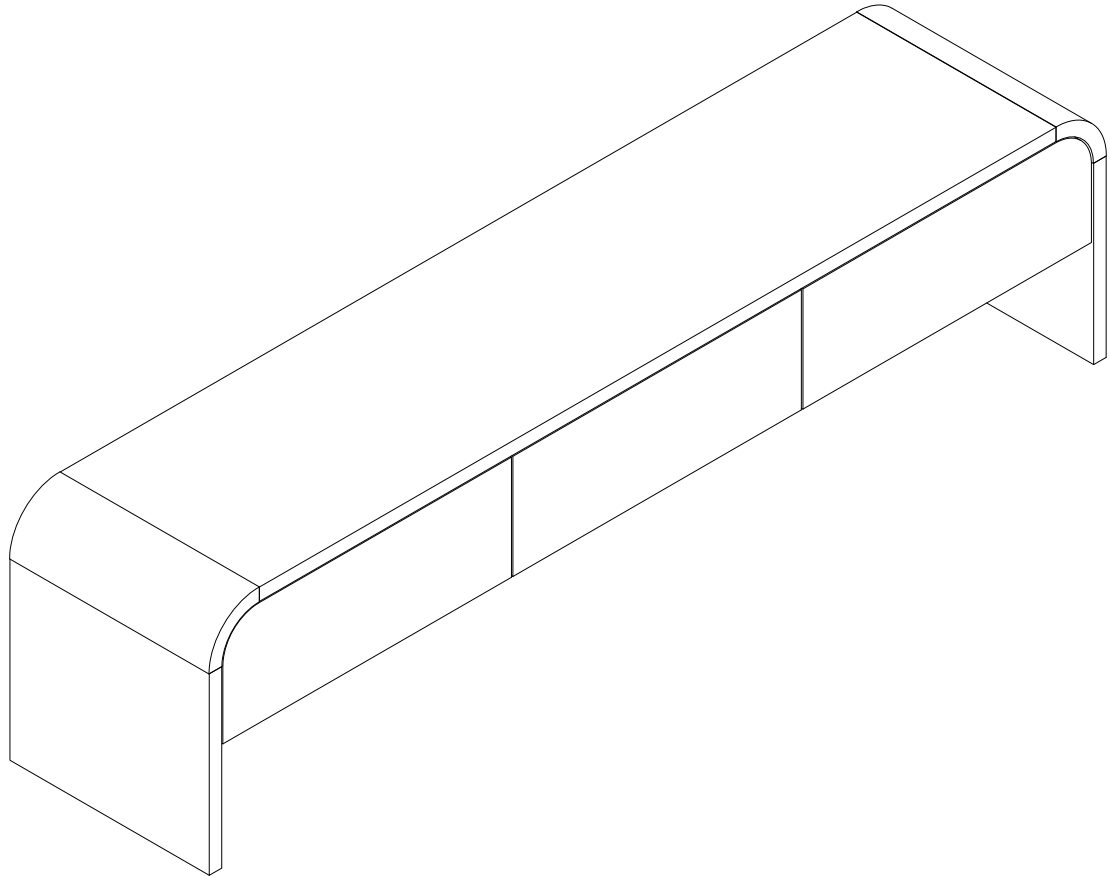


Assembly Instructions

Otis Series



Lifely*

Product Code

OTIS-TV180-NAL TV Unit

Dimensions(W x D x H)

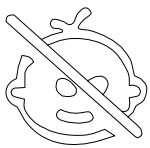
1800*400*450mm

Important

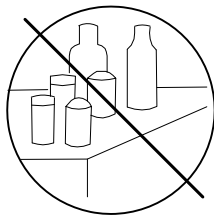
Please read through instruction carefully
Before assembly and keep for future reference.

For our full catalogue of assembly instructions,
Visit: lifely.com.au/assembly.

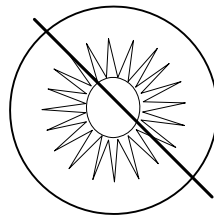
Important Tips and Maintenance



1. Keep children and animals away from working area as smaller parts may cause choking if swallowed.



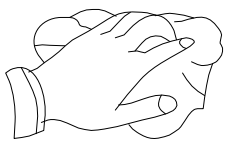
2. Never place liquids or anything damp upon furniture as it will mark. Ensure a coaster or running is beneath.



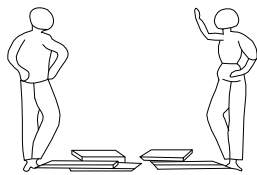
3. Never use ammonia based cleaning products as it will damage the finish.



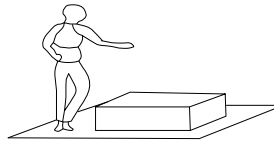
4. To avoid fading, keep furniture out of direct sunlight.



5. Use a soft or damp cloth(dry cloth) when wiping or cleaning surfaces.



6. Two person are required.



7. Lay a soft matt down to protect the furniture piece before and during assembly.

So your relationship is strong. But is it flat-pack furniture strong? Unless you're an aerospace engineer, assembling furniture can be slightly stressful. We recommend meditating quietly, pouring yourself a herbal tea (or slightly less herbal wine) and tackling things one step at a time. If you feel a passive aggressive remark coming on, try a compliment instead. E.g. "You're so good looking."

This 9-step assembly should take around 45 minutes with an Allen key- or 31 minutes with an electric drill.

Designed for everyday

Component Hardware

Please check you have all the fittings
part or tools are listed in below.

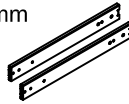
No. A
Quantity:52 Pcs
Cam
Ø15*12mm



No. B
Quantity:52 Pcs
Cam Lock Dowel
Ø7*25



No. C
Quantity:3 Sets
Runner
L=250mm



No. D
Quantity:12 Pcs
Screw
Ø4*35mm



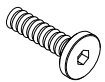
No. E
Quantity:22Pcs
Wooden Dowel
Ø8*30mm



No. F
Quantity:4 Pcs
Screw
M8*15mm



No. G
Quantity:3 Pcs
Screw
M8*40mm



No. H
Quantity:38 Pcs
Screw
Ø3.5*14mm



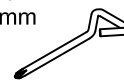
No. I
Quantity:52Pcs
Cover
Ø20mm



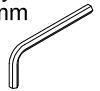
No. J
Quantity:6 Pcs
EVA Pad
Ø15mm



No. K
Quantity:1 Pc
Key
5mm



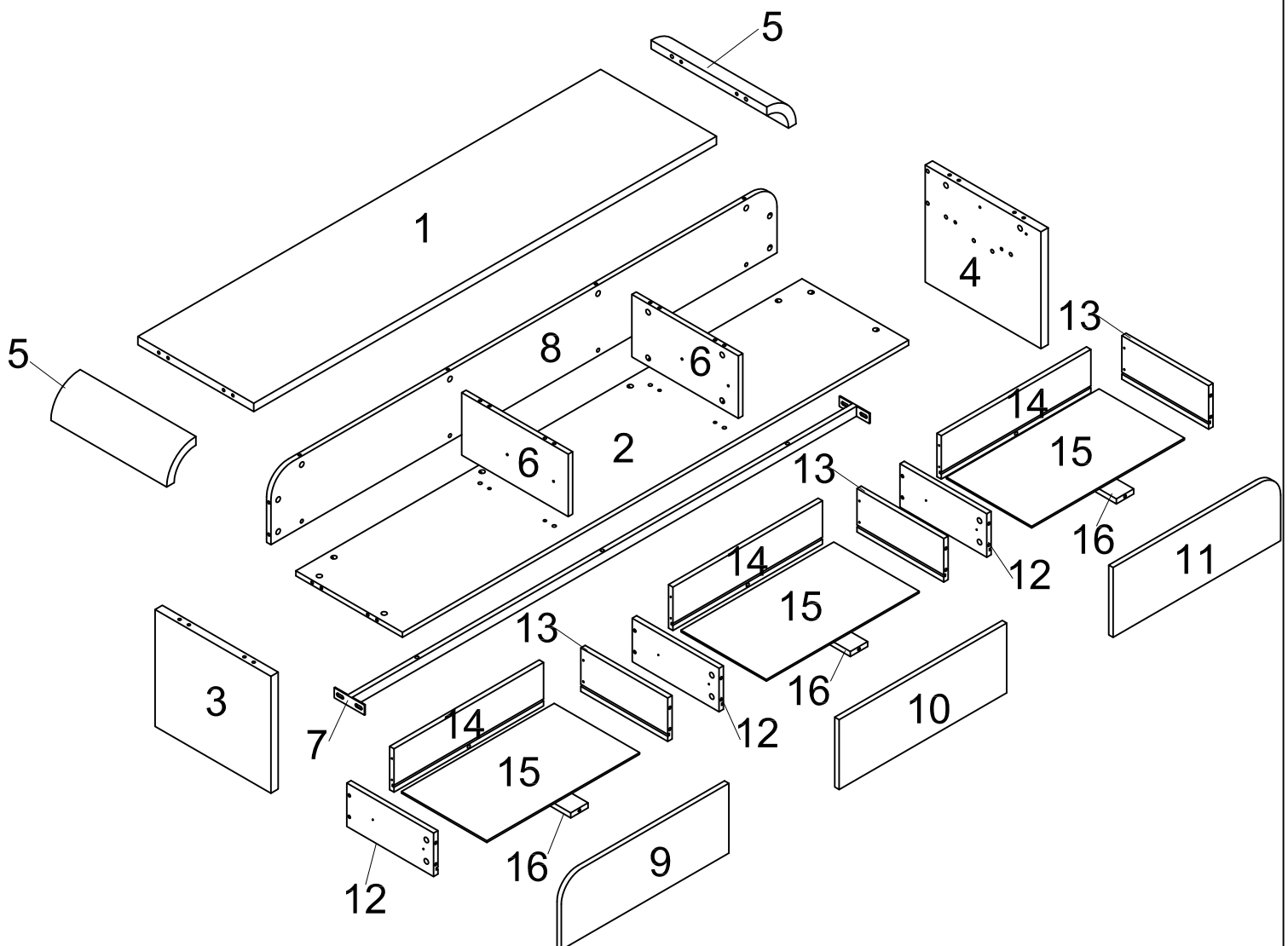
No. L
Quantity:1 Pc
Key
5mm



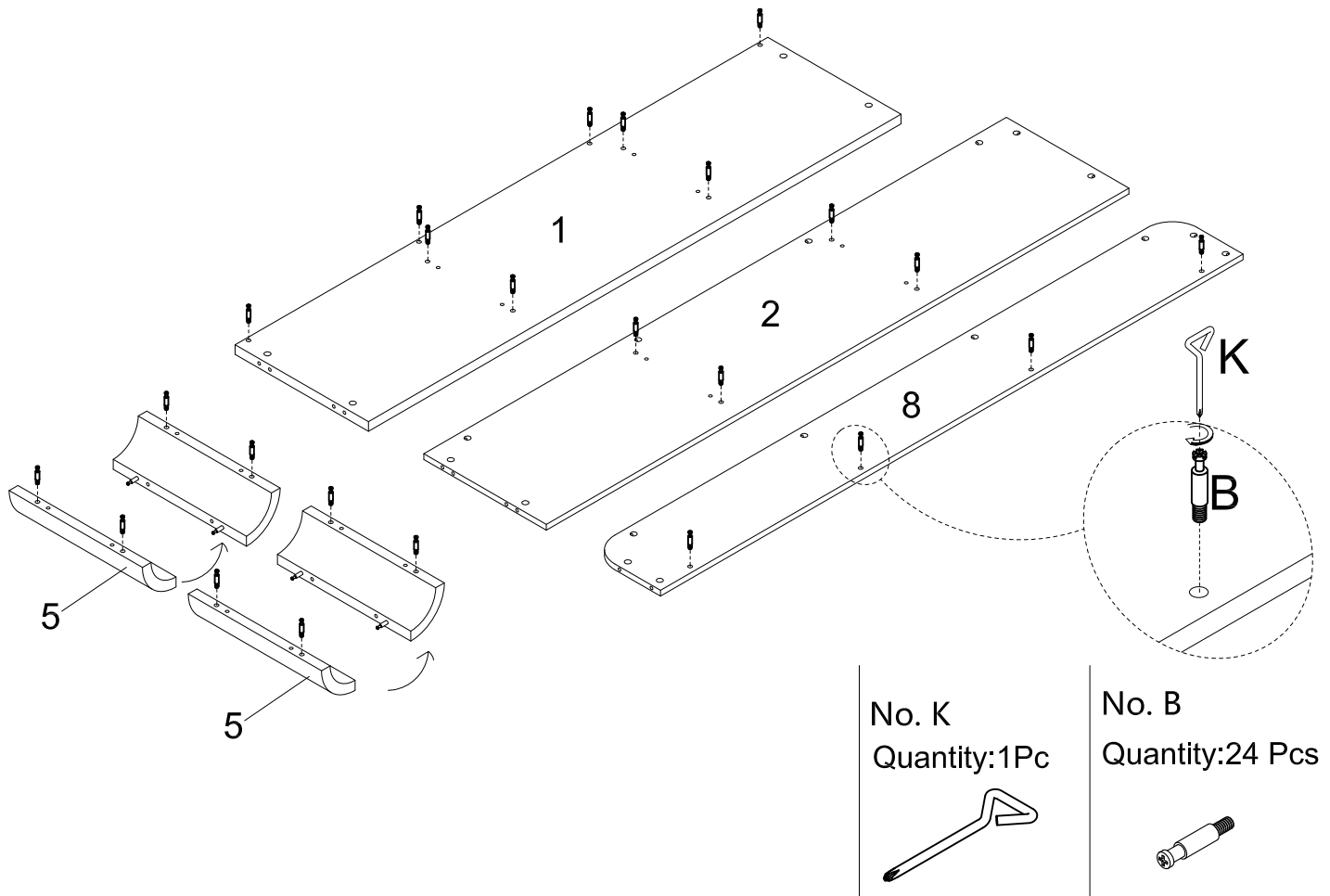
Component Panels & part List

Please check you have all the panels
are listed below.

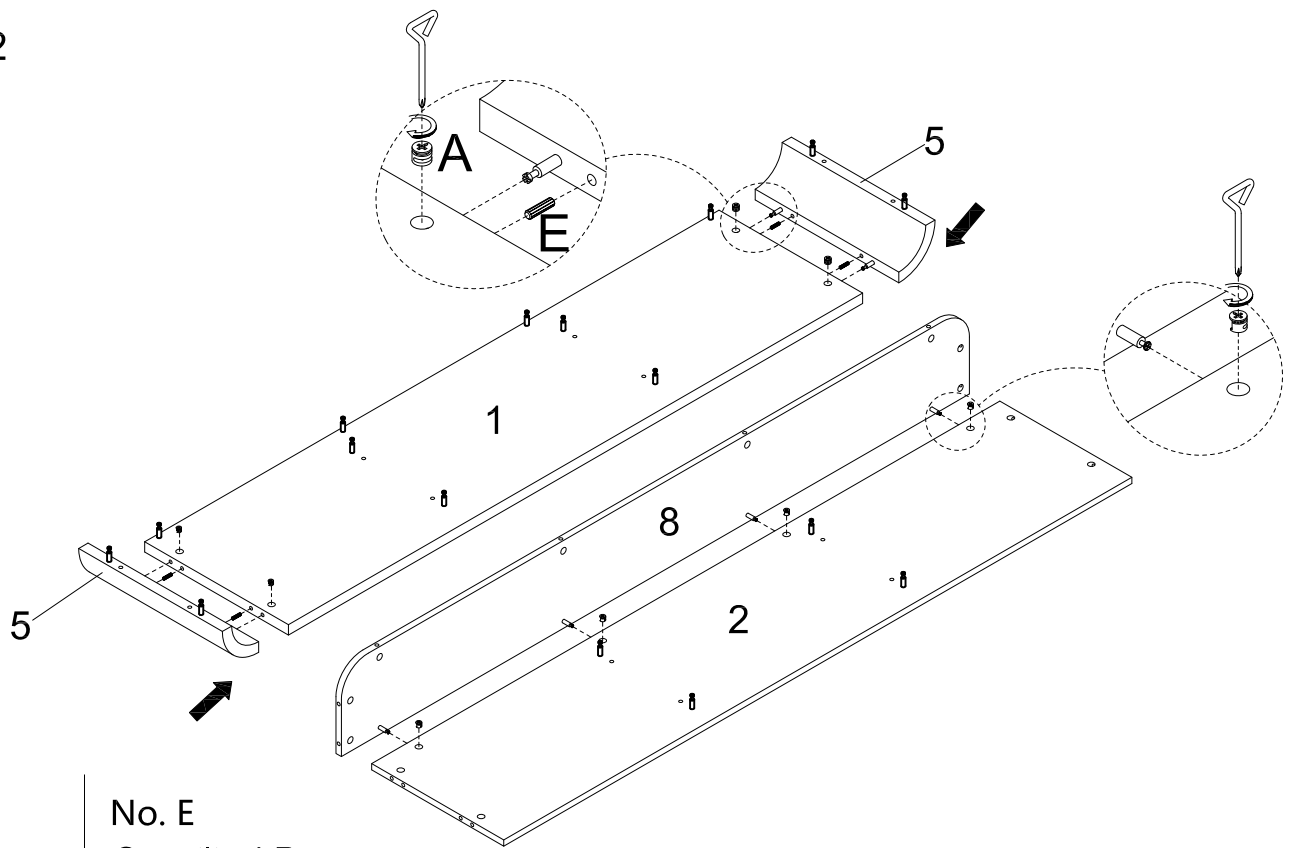
- | | | | |
|--------------------------------|---------|---------------------------------|---------|
| 1. Top Panel-----x1 | CTN 2/2 | 13. Drawer Side Panel-Right--x3 | CTN 1/2 |
| 2. Bottom Panel-----x1 | CTN 2/2 | 14. Drawer Back Panel-----x3 | CTN 1/2 |
| 3. Side Panel-Left-----x1 | CTN 1/2 | 15. Drawer Bottom Panel-----x3 | CTN 1/2 |
| 4. Side Panel-Right-----x1 | CTN 1/2 | 16. Drawer Bottom Support----x3 | CTN 1/2 |
| 5. Corner-----x2 | CTN 1/2 | | |
| 6. Division Panel-----x2 | CTN 1/2 | | |
| 7. Bottom Metal Bar-----x1 | CTN 2/2 | | |
| 8. Back Panel-----x1 | CTN 2/2 | | |
| 9. Drawer Panel-Left-----x1 | CTN 2/2 | | |
| 10. Drawer Panel-Middle----x1 | CTN 2/2 | | |
| 11. Drawer Panel-Right-----x1 | CTN 2/2 | | |
| 12. Drawer Side Panel-Left--x3 | CTN 1/2 | | |



STEP 1



STEP 2

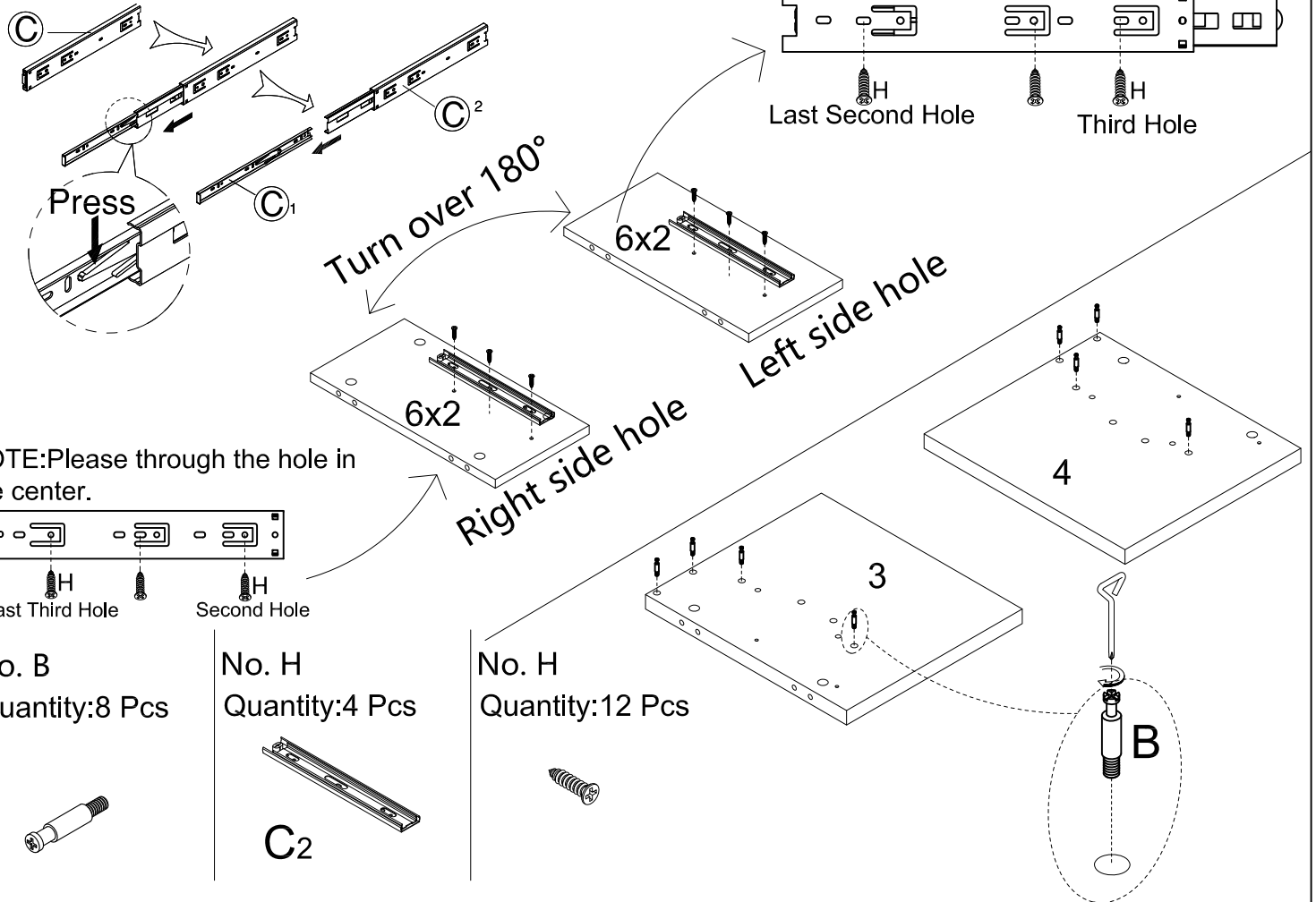


No. A
Quantity: 8 Pcs

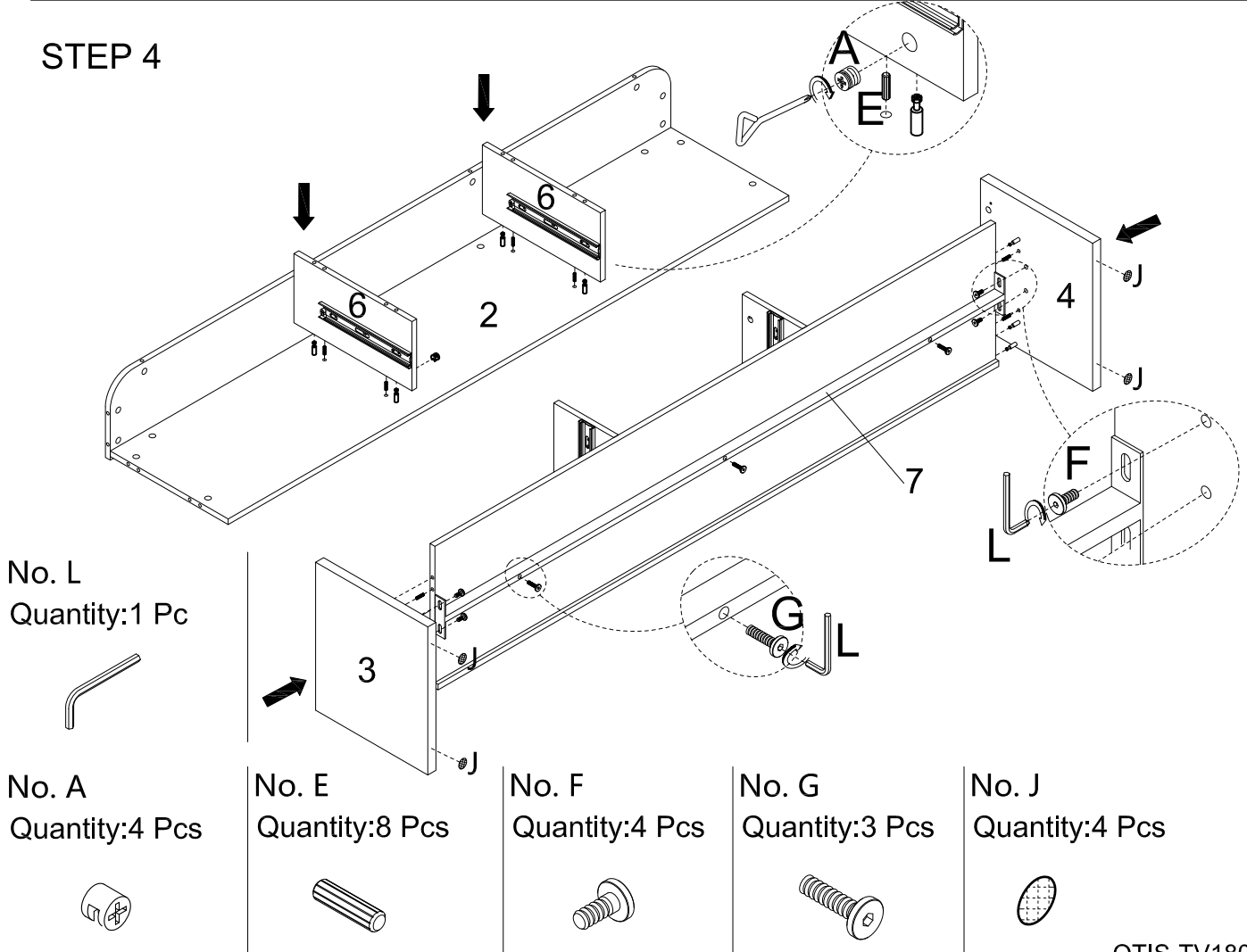
No. E
Quantity: 4 Pcs



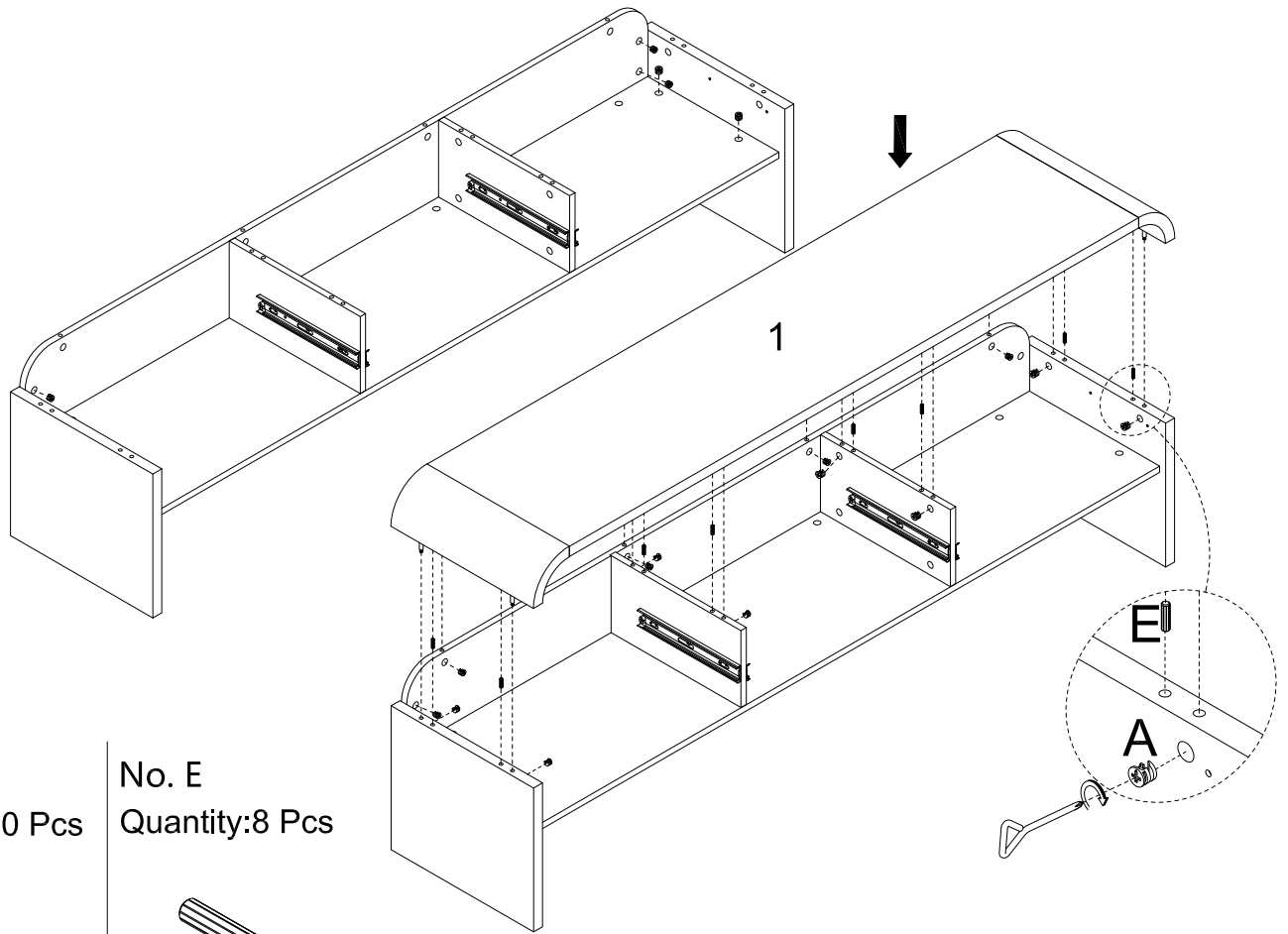
STEP 3



STEP 4



STEP 5

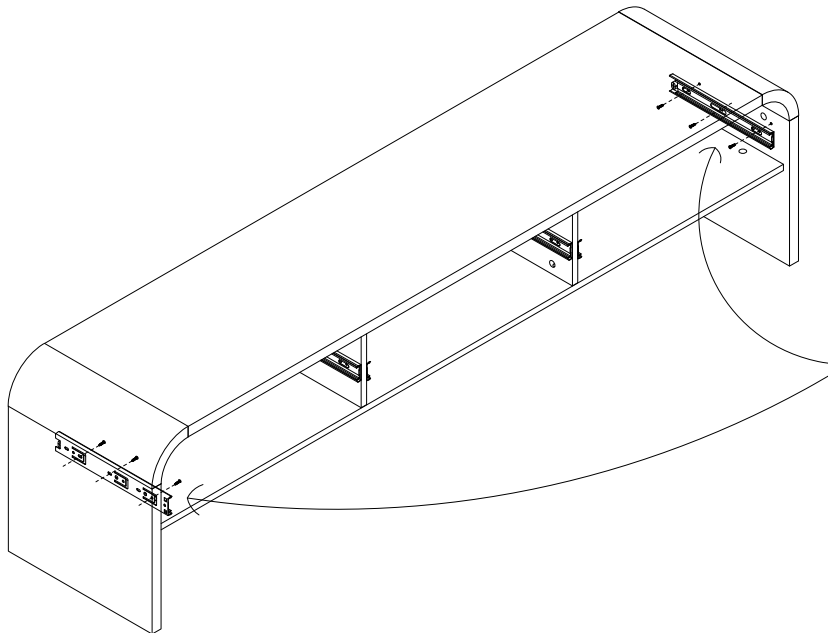


No. A
Quantity:20 Pcs

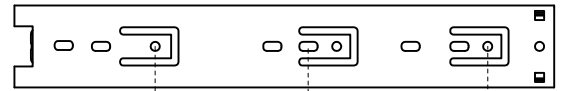
No. E
Quantity:8 Pcs



STEP 6



NOTE:Please through the hole in the center.

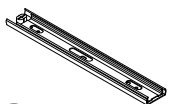


Last Third Hole

Second Hole

No. H
Quantity:2 Pcs

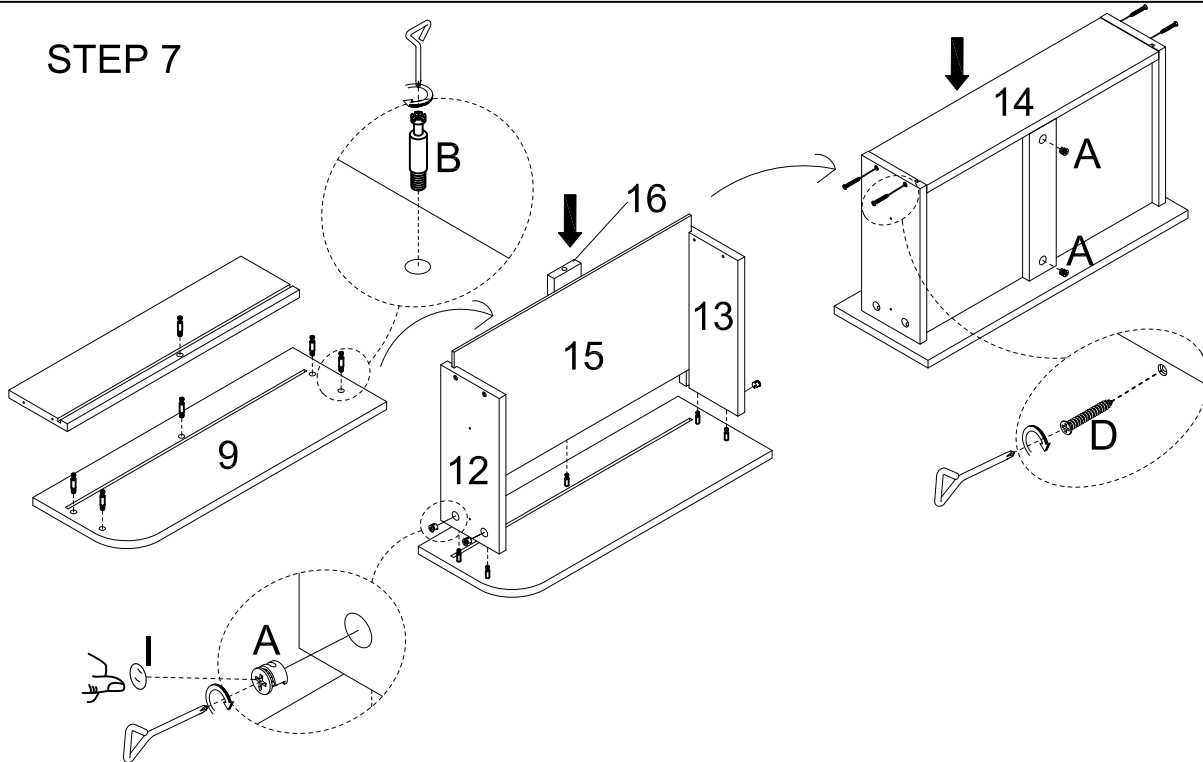
No. H
Quantity:6 Pcs



C2



STEP 7



No. A
Quantity:18Pcs



No. B
Quantity:18Pcs



No. D
Quantity:12Pcs

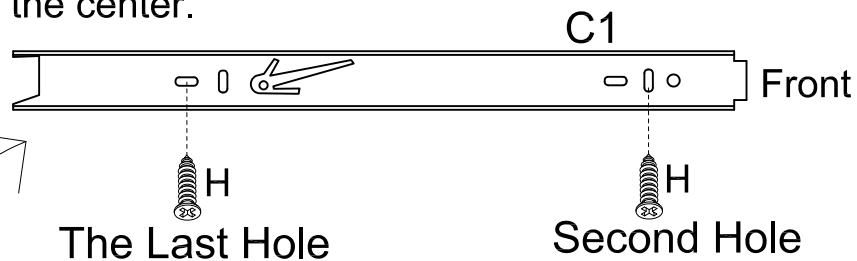


No. I
Quantity:50Pcs

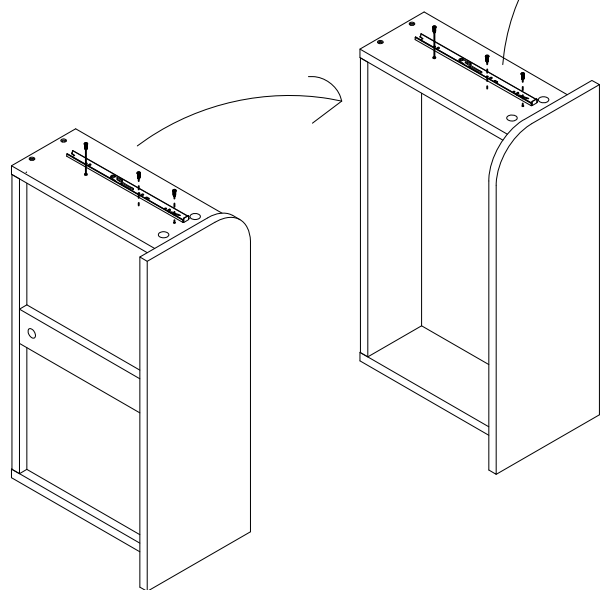


STEP 8

NOTE:Please through the hole in the center.

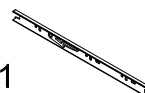


All drawers in the same way for installing runner.



No. C
Quantity:6Pcs

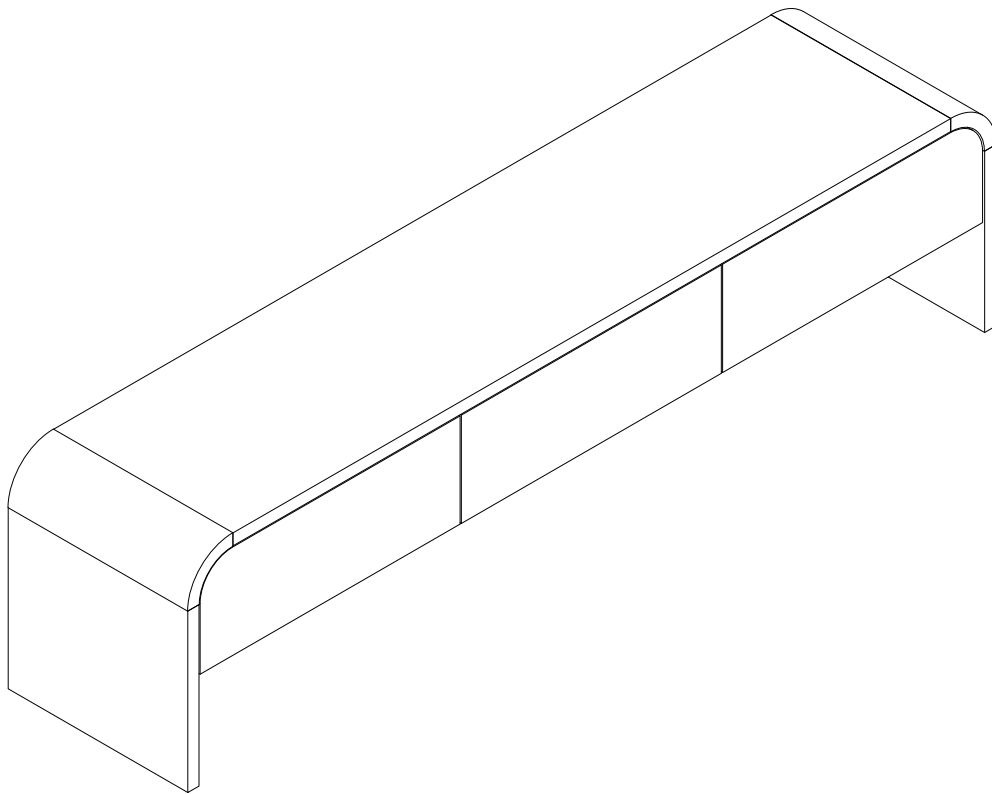
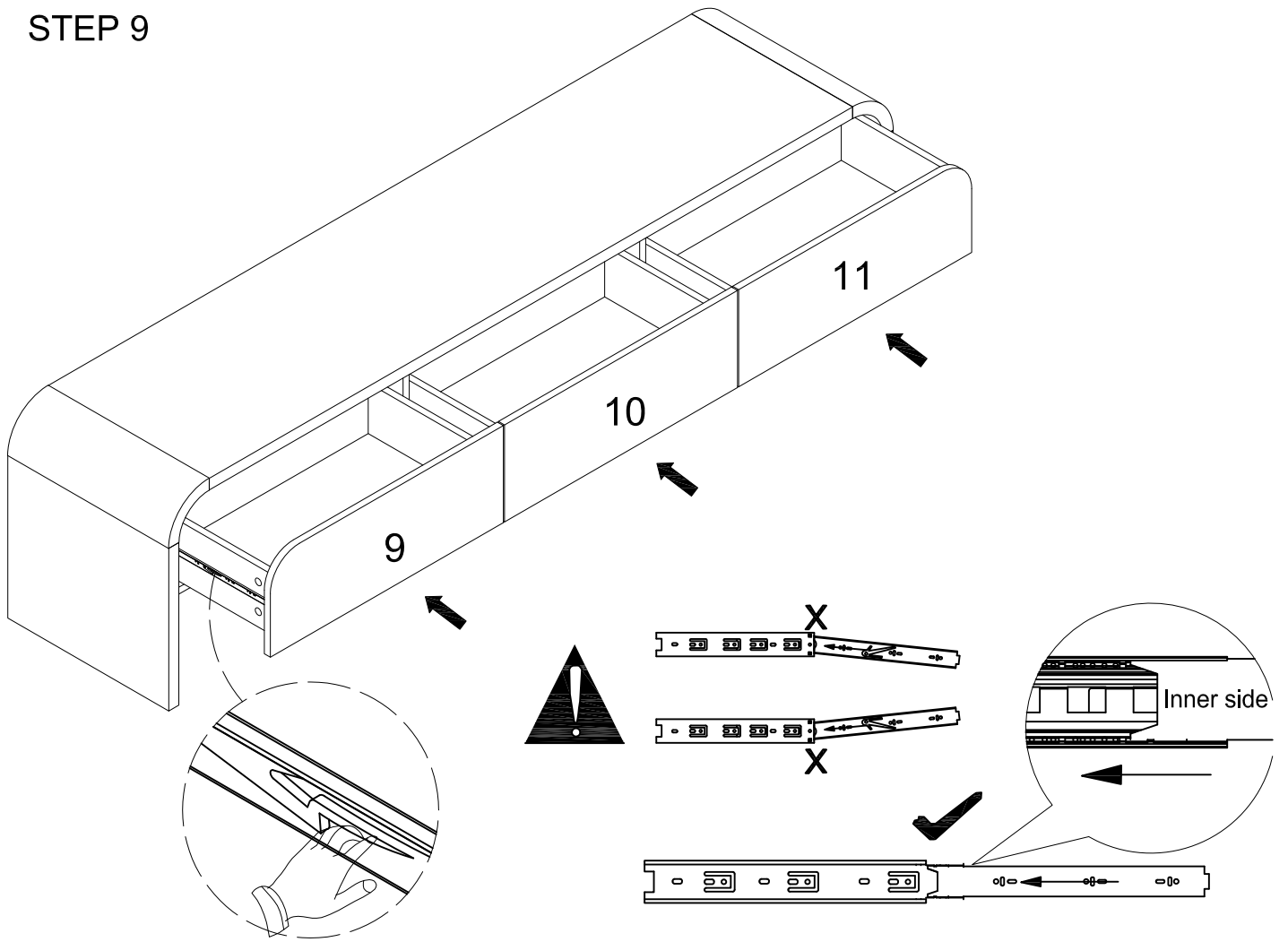
C1



No. H
Quantity:18Pcs



STEP 9



lifely.com.au

Great job. You're done!

Don't forget to share how it looks in
your space and tag us on Instagram.

@lifelyhome #homewithlifely!