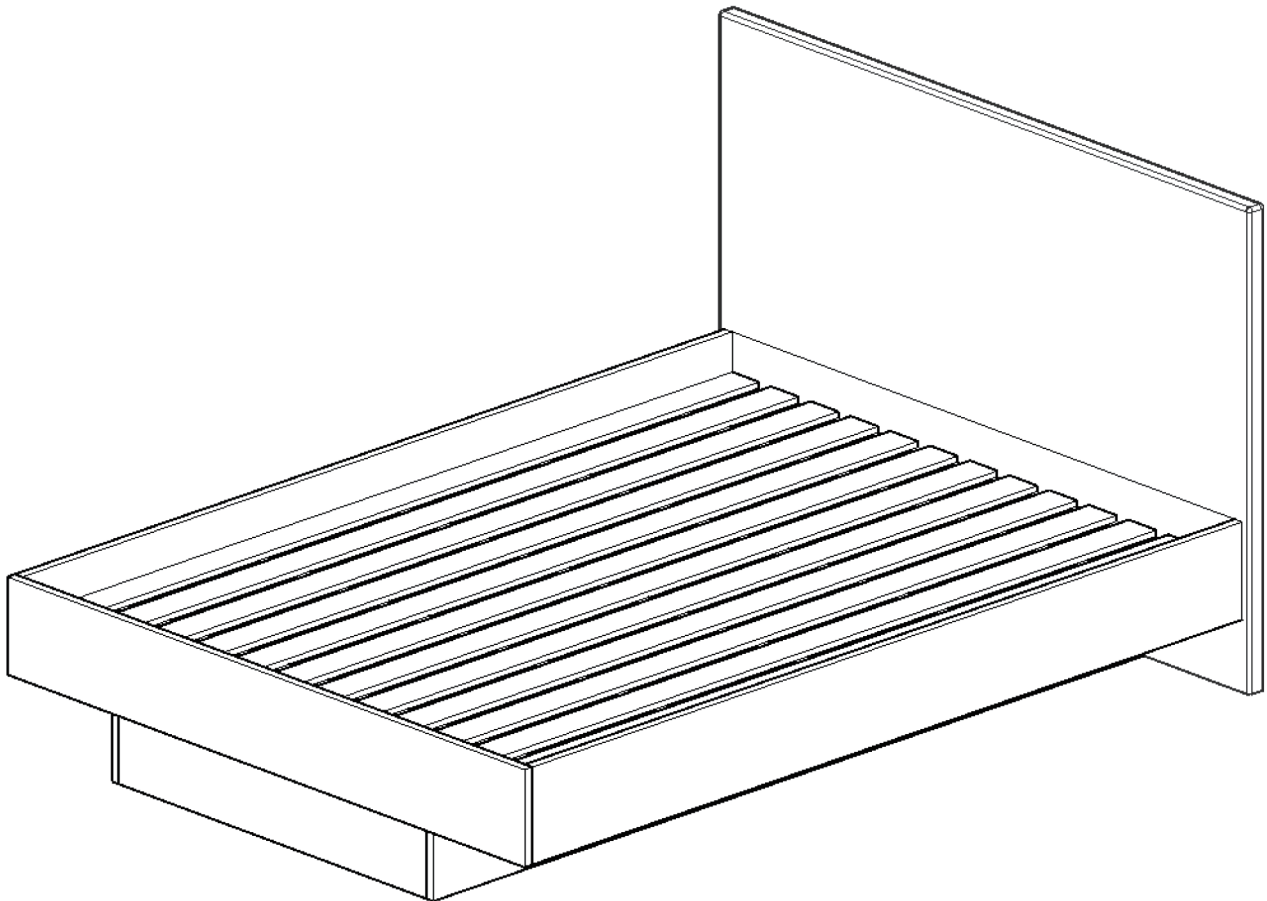


Assembly Instructions

NOOK SERIES



Lifely*

Product Name
Nook Wooden Bed Frame

Dimensions(W x D x H)
King Size:1912x2121x1000mm
Queen Size:1594x2121x1000mm
Double Size:1454x1971x1000mm

Important

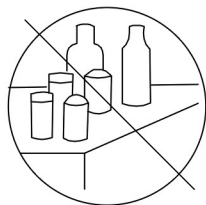
Please read through instruction carefully
Before assembly and keep for future reference.

For our full catalogue of assembly instructions,
Visit: lifely.com.au/assembly.

Important Tips and Maintenance



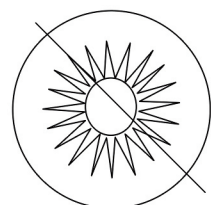
1. Keep children and animals away from working area as smaller parts may cause choking if swallowed.



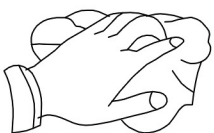
2. Never place liquids or anything damp upon furniture as it will mark. Ensure a coaster or running is beneath.



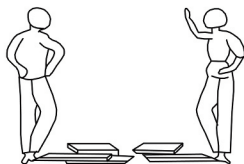
3. Never use ammonia based cleaning products as it will damage the finish.



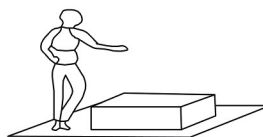
4. To avoid fading, keep furniture out of direct sunlight.



5. Use a soft or damp cloth (dry cloth) when wiping or cleaning surfaces.



6. Two person are required.



7. Lay a soft matt down to protect the furniture piece before and during assembly.

So your relationship is strong. But is it flat-pack furniture strong? Unless you're an aerospace engineer, assembling furniture can be slightly stressful. We recommend meditating quietly, pouring yourself a herbal tea (or slightly less herbal wine) and tackling things one step at a time. If you feel a passive aggressive remark coming on, try a compliment instead. E.g. "You're so good looking".

This 9-Step assembly should take around 30 minutes with an Allen Key-or 20 minutes with an electric drill. Godspeed.

Designed for everyday

Component Hardware

Please check you have all the fittings
part or tools are listed in below.

No. A
Quantity:16Pcs
Cam Bolt



No. B
Quantity:16Pcs
Cam Nut



No. C
Quantity:16Pcs
Dowel



No. D
Quantity:12Pcs
Screw $\varnothing 6 \times 30\text{mm}$



No. E
Quantity:1Pc
Allen Key



No. F
Quantity:4Pcs
Screw $\varnothing 6 \times 80\text{mm}$



No. G
Quantity:4Pcs
Hammer Nut 12*15mm



No. H
Quantity:20Pcs
Screw



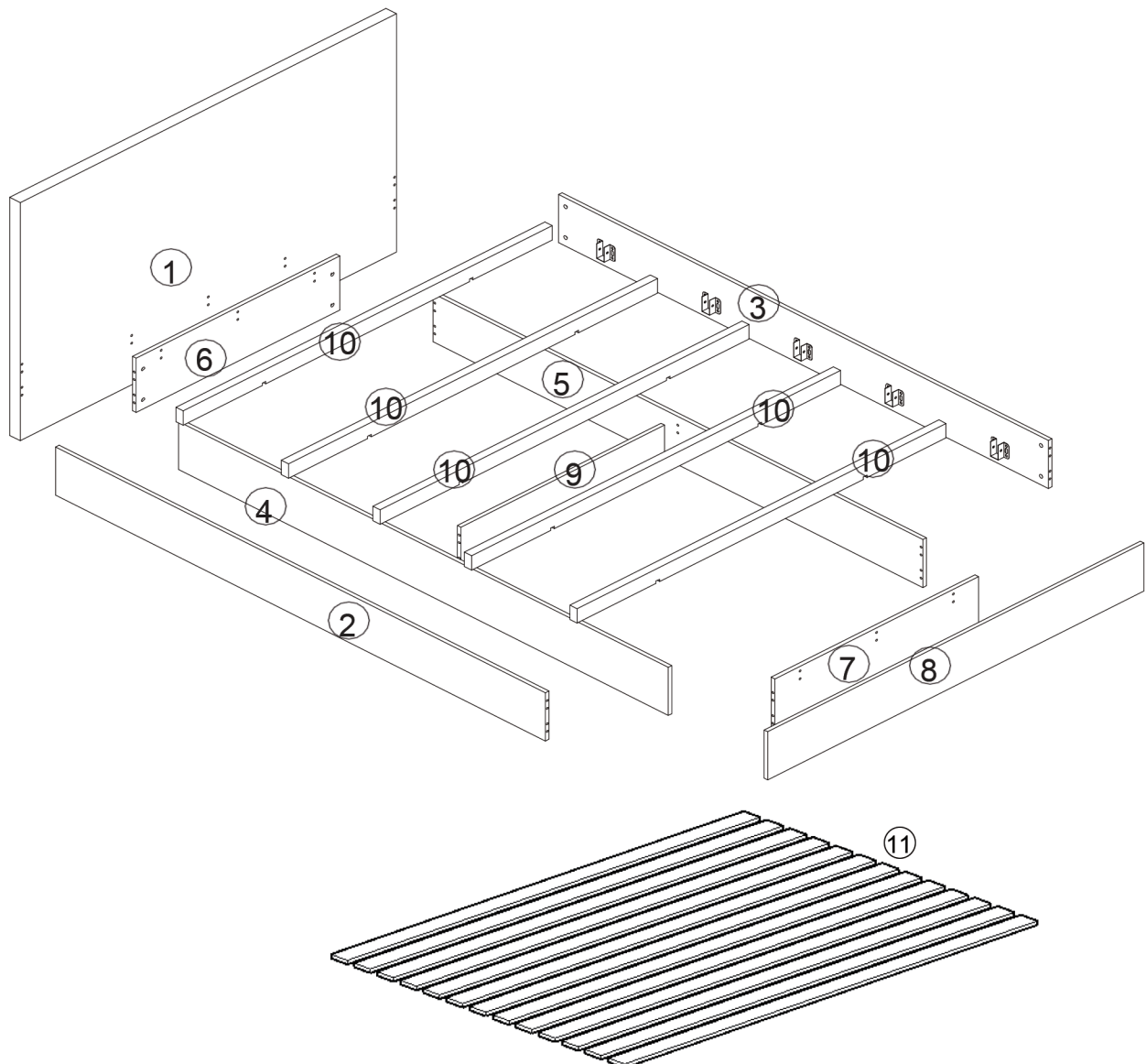
No. I
Quantity: 6Pcs
Screw



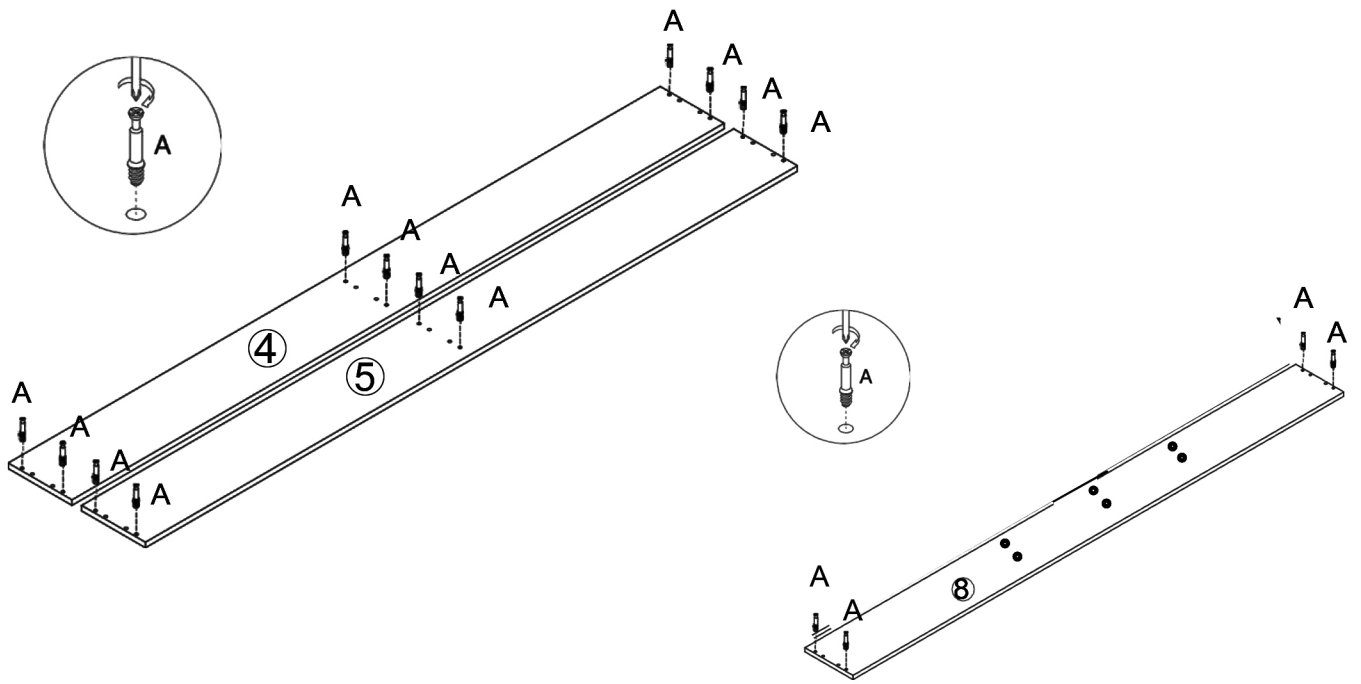
Component Panels & part List

Please check you have all the panels
are listed below.

1. BED HEAD ----- x1 Carton 4/4
2. SIDE PANEL-L ----- x1 Carton 1/4
3. SIDE PANEL-R ----- x1 Carton 1/4
4. SUPPORT PANEL-L ----- x1 Carton 1/4
5. SUPPORT PANEL-R ----- x1 Carton 2/4
6. CONNECTING PANEL -1 ----- x1 Carton 2/4
7. CONNECTING PANEL -2 ----- x1 Carton 2/4
8. BED END ----- x1 Carton 1/4
9. MIDDLE CONNECTING PAN ----- x1 Carton 2/4
10. SUPPORT BAR ----- x5 Carton 3/4
11. BEF SLATS ----- x1 Carton 3/4



STEP 1

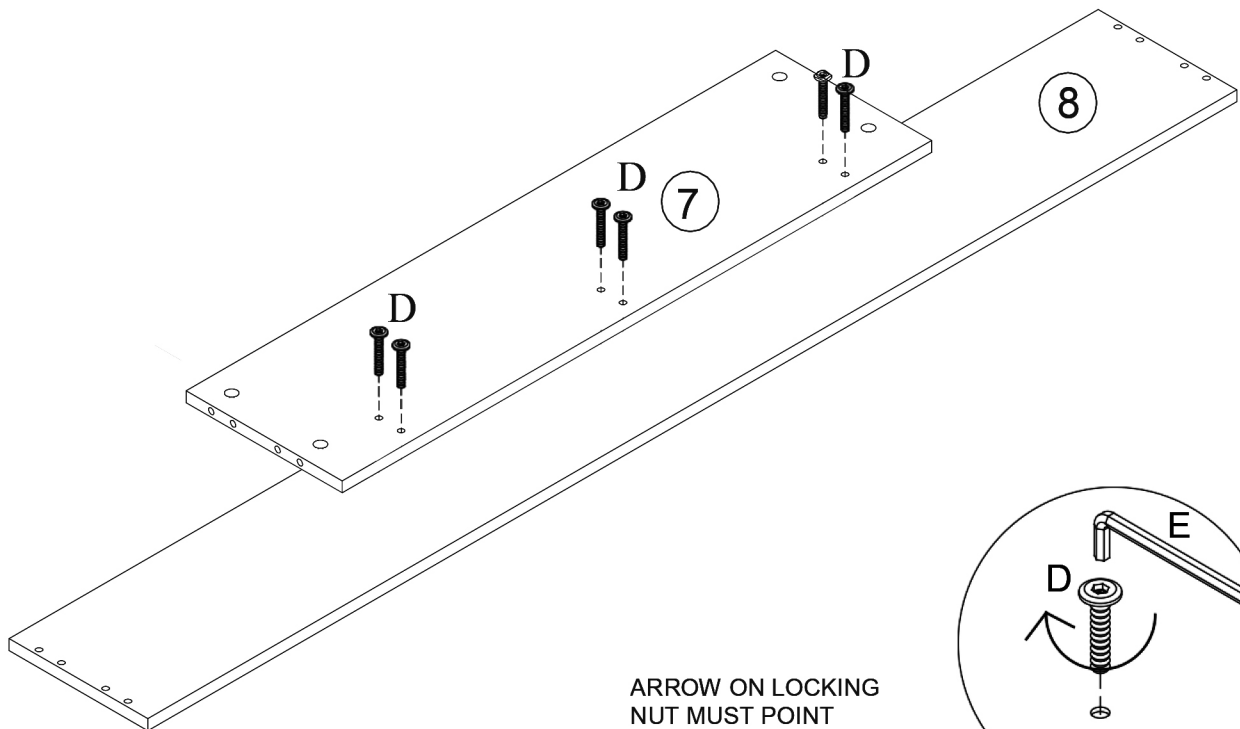


No. A
Quantity: 16Pcs
Cam Bolt

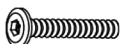


ARROW ON LOCKING NUT MUST POINT TOWARDSHOLE IN EDGE OF PANEL

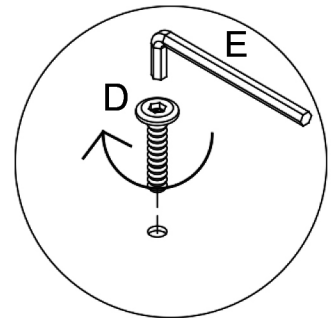
STEP 1



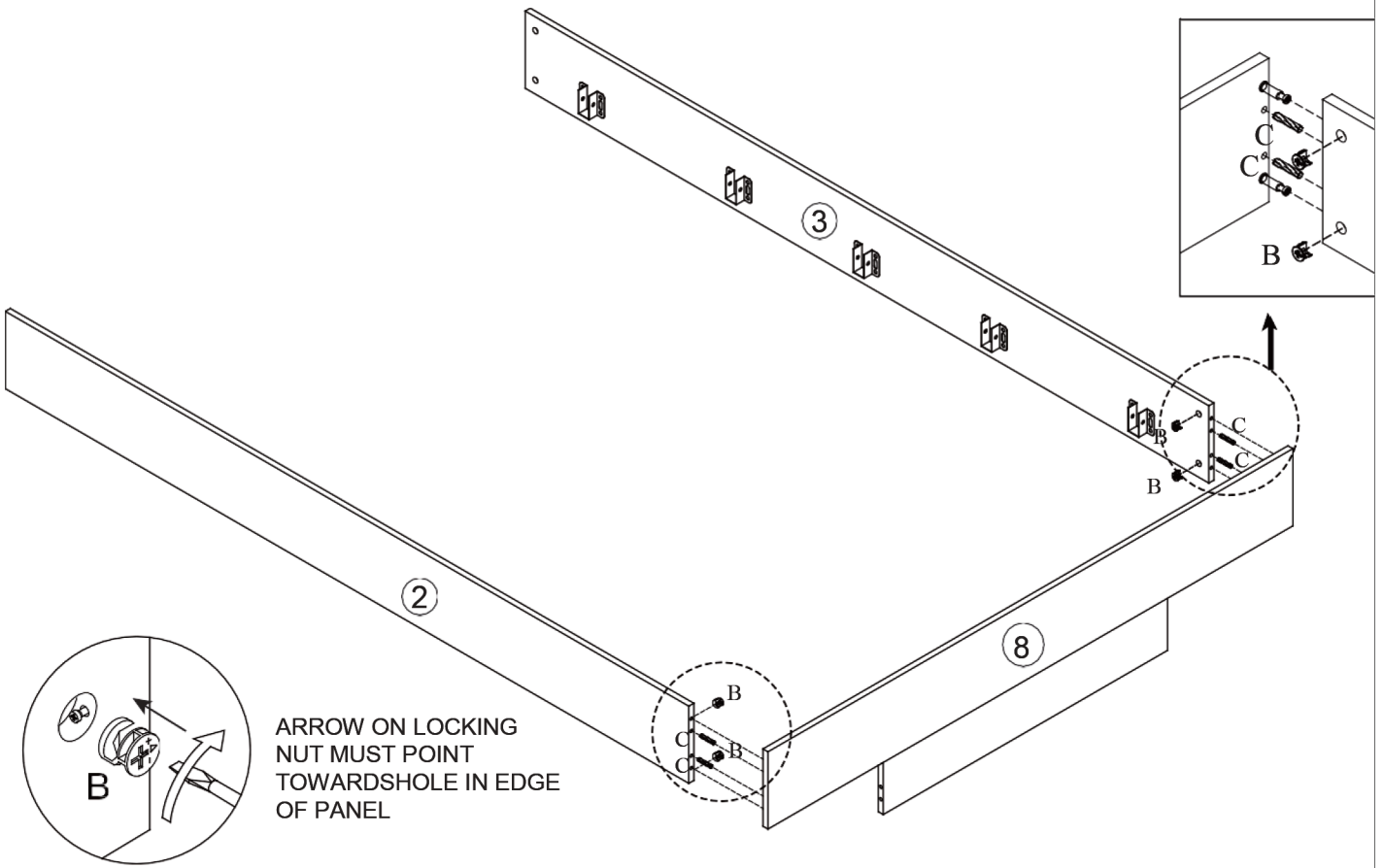
No. D
Quantity: 6Pcs
Screw $\phi 6 \times 30\text{mm}$



ARROW ON LOCKING NUT MUST POINT TOWARDSHOLE IN EDGE OF PANEL



STEP 3



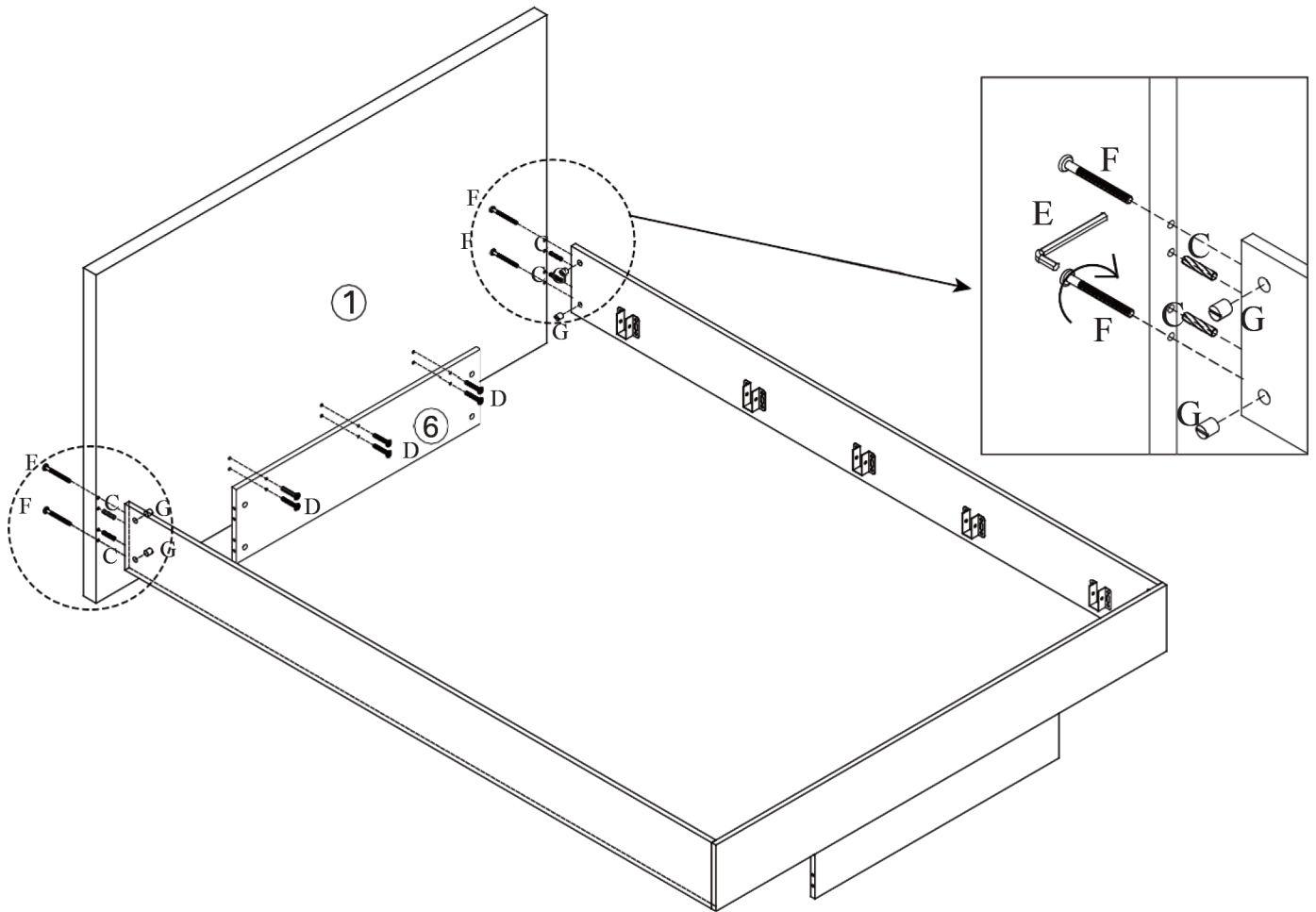
No. B
Quantity: 4Pcs
Cam Nut



No. C
Quantity: 4Pcs
Dowel



STEP 4



No. F
Quantity: 4Pcs
Screw $\varnothing 6 \times 80\text{mm}$



No. G
Quantity: 4Pcs
Hammer Nut $12 \times 15\text{mm}$



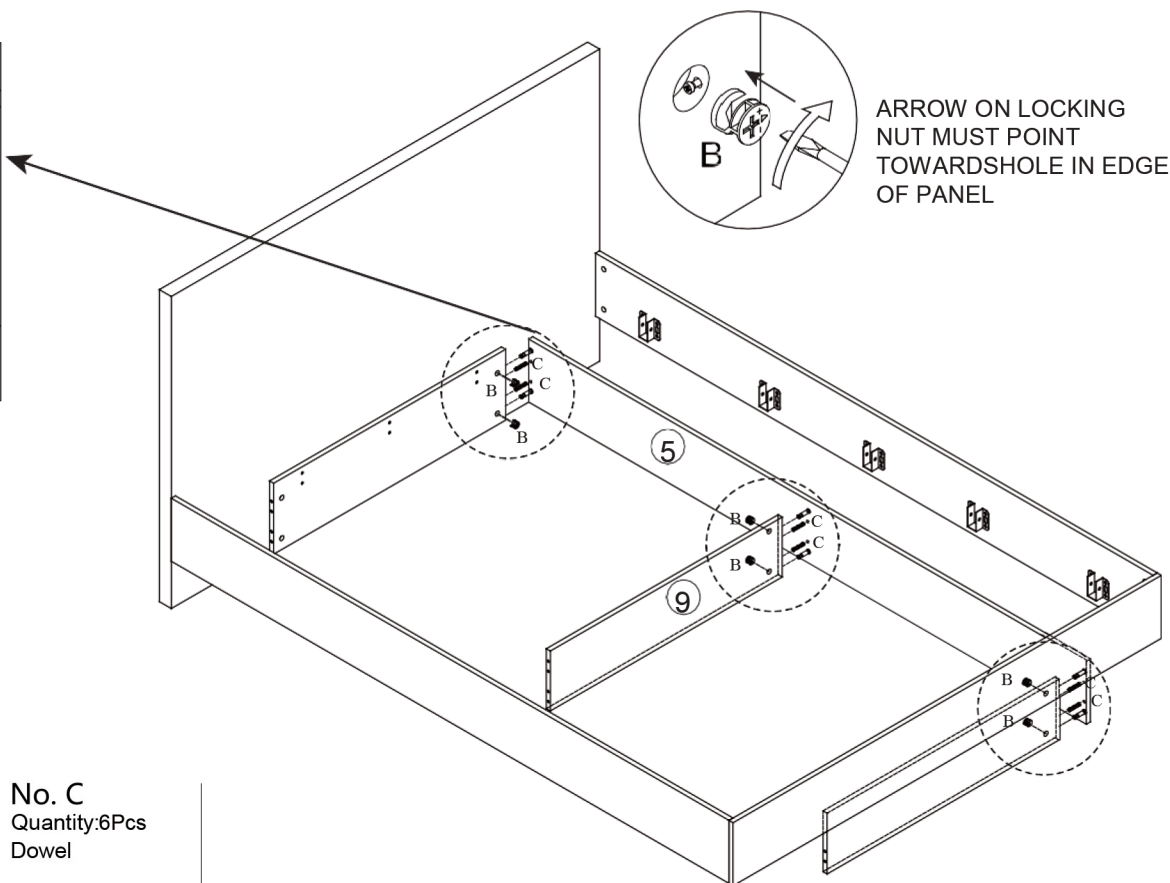
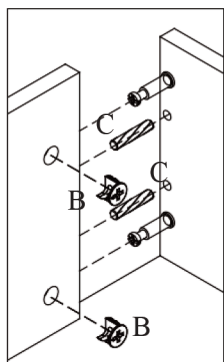
No. D
Quantity: 6Pcs
Screw $\varnothing 6 \times 30\text{mm}$



No. C
Quantity: 4Pcs
Dowel



STEP 5

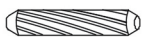


ARROW ON LOCKING NUT MUST POINT TOWARDSHOLE IN EDGE OF PANEL

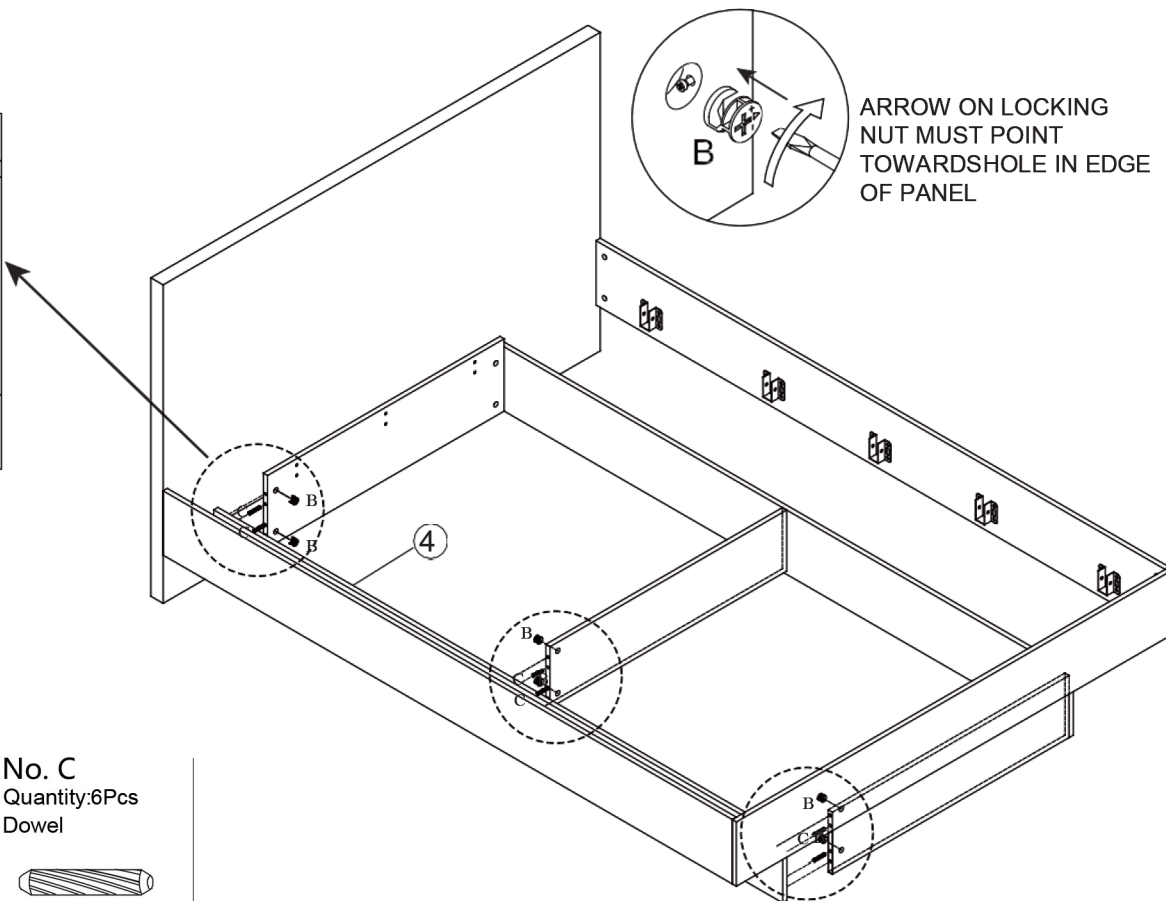
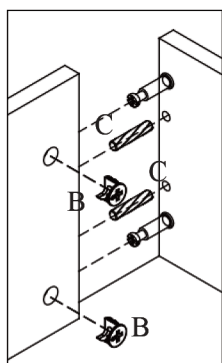
No. B
Quantity:6Pcs
Cam Nut



No. C
Quantity:6Pcs
Dowel



STEP 6

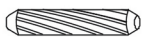


ARROW ON LOCKING NUT MUST POINT TOWARDSHOLE IN EDGE OF PANEL

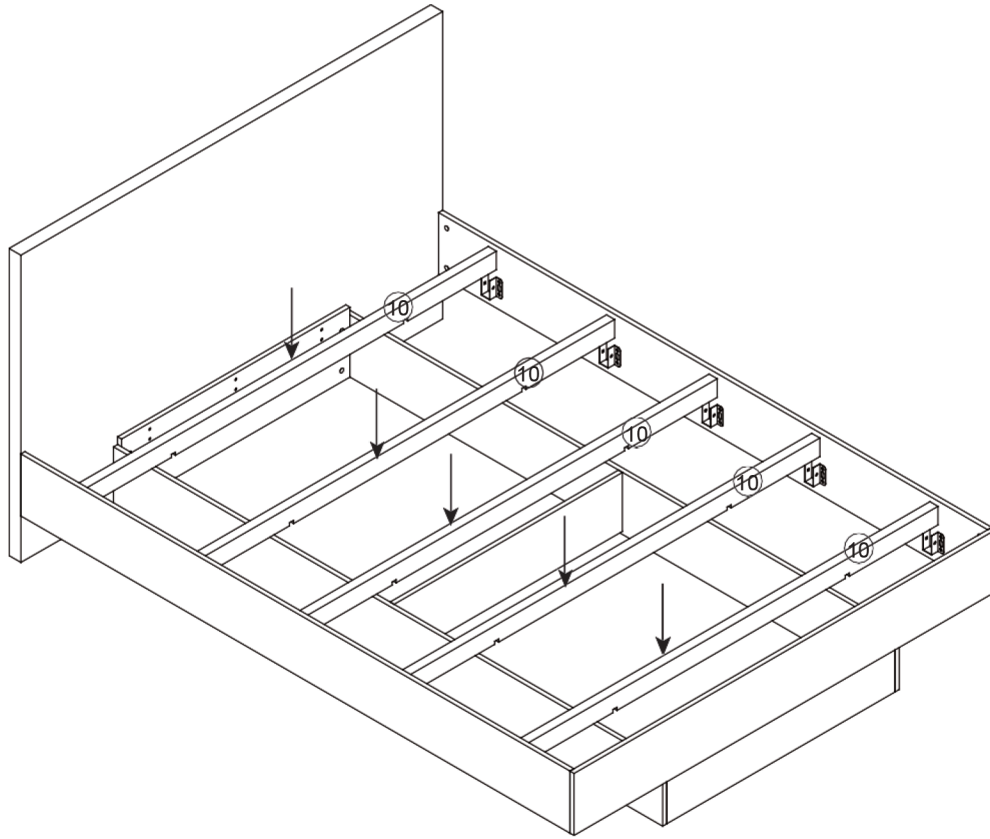
No. B
Quantity:6Pcs
Cam Nut



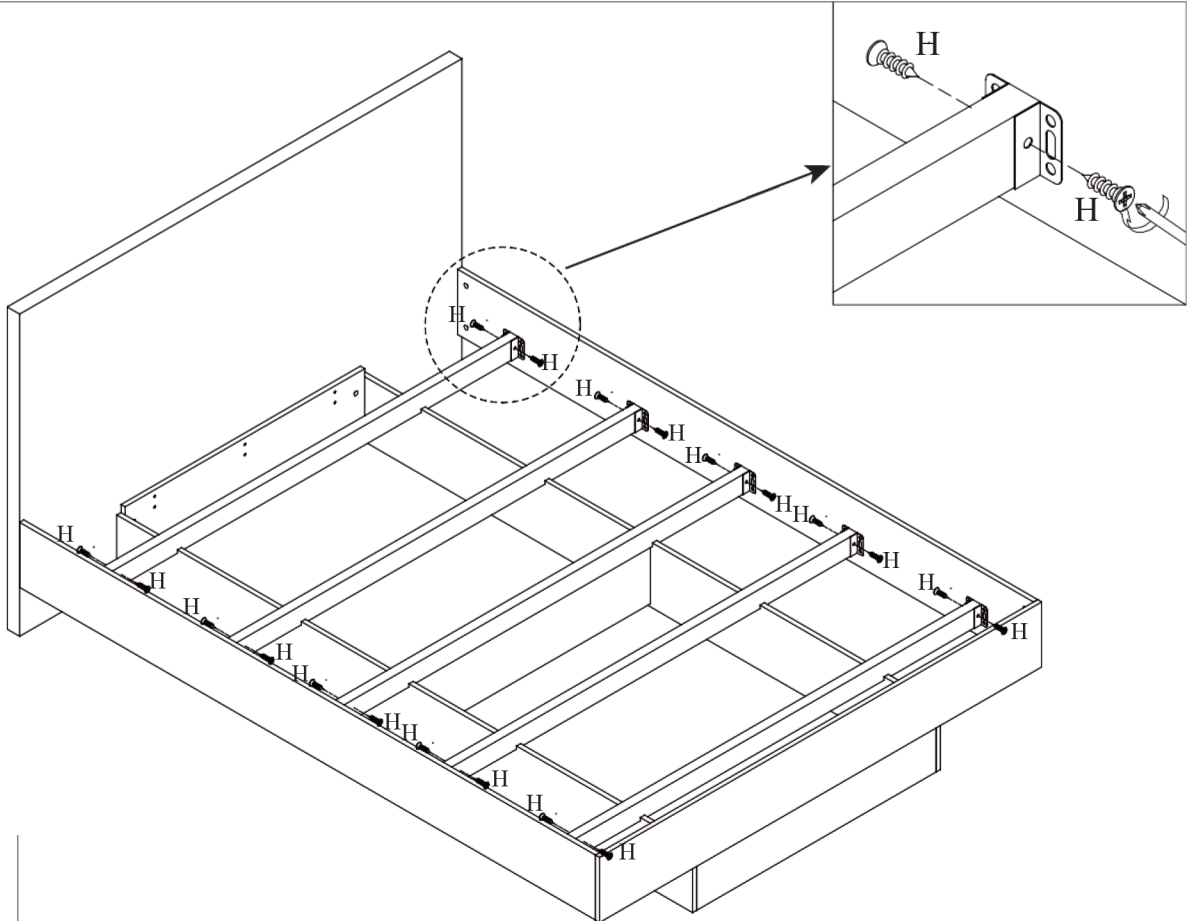
No. C
Quantity:6Pcs
Dowel



STEP 7



STEP 8

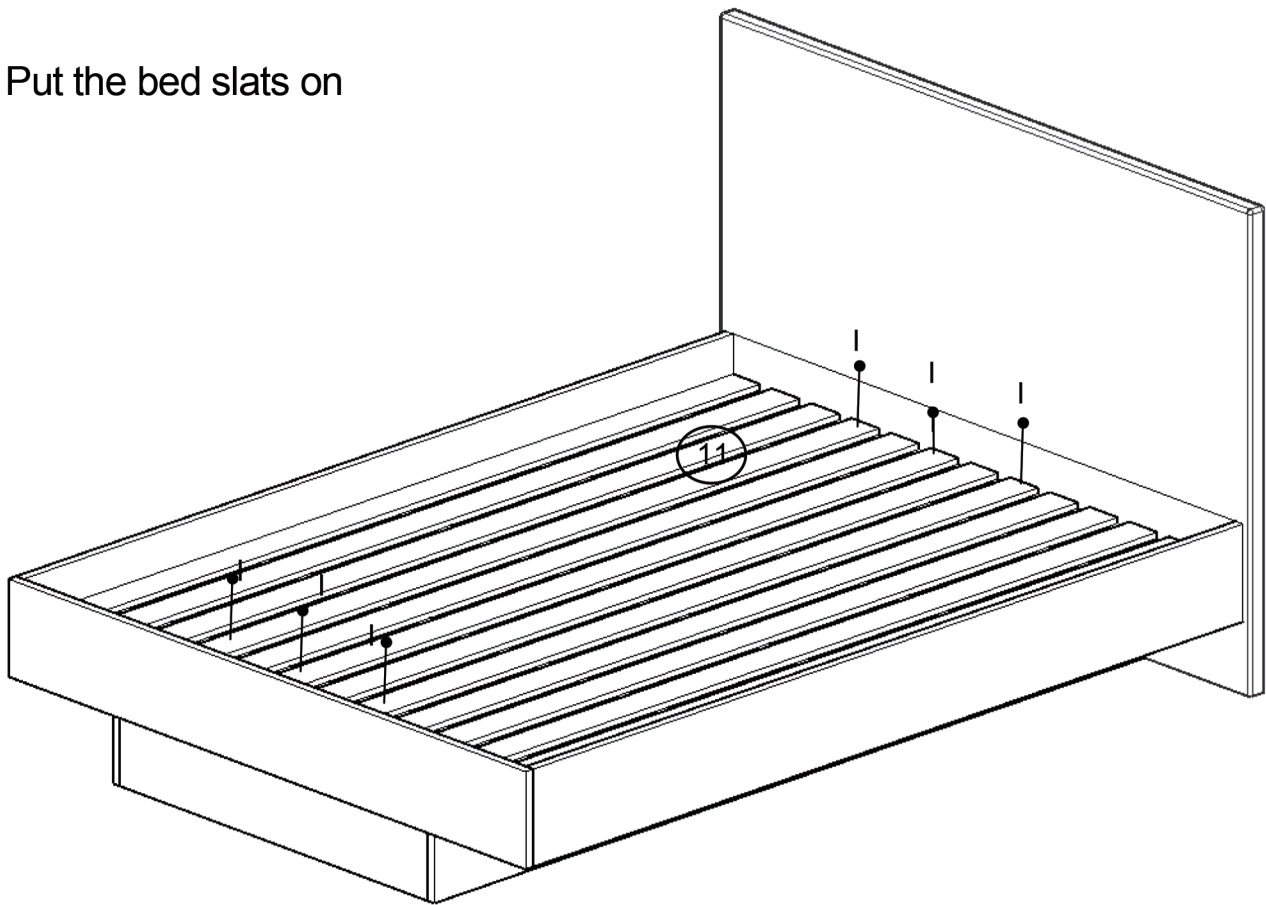


No. H
Quantity: 20Pcs
Screw



STEP 9

Put the bed slats on



No. 1
Quantity: 6Pcs
Screw



lifely.com.au

Great job. You're done!

Don't forget to share how it looks in
your space and tag us on Instagram.
[@lifelyhome#homewithlifely!](#)