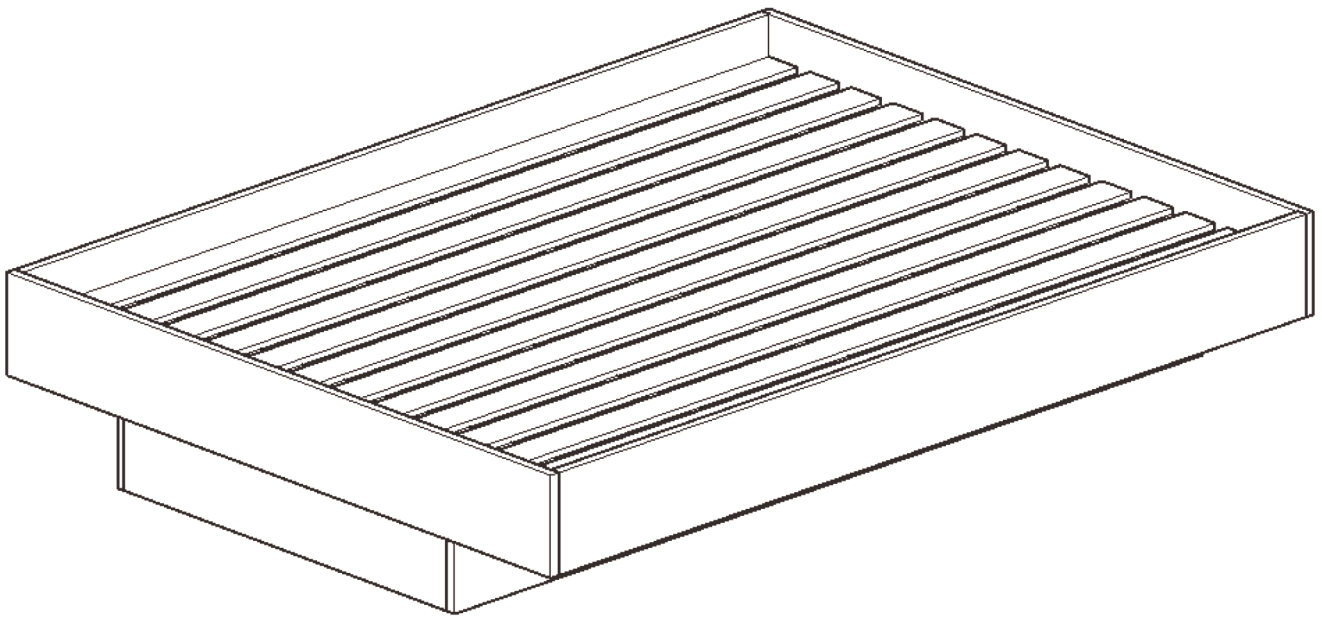


# Assembly Instructions

## NOOK SERIES



# Lifely\*

Product Name  
Nook Wooden Bed Base

Dimensions(W x D x H)

King Size:1912x2121x1000mm  
Queen Size:1594x2121x1000mm  
Double Size:1454x1971x1000mm

---

### Important

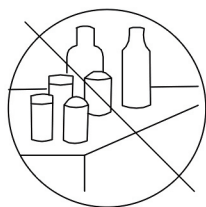
Please read through instruction carefully  
Before assembly and keep for future reference.

For our full catalogue of assembly instructions,  
Visit: [lifely.com.au/assembly](http://lifely.com.au/assembly).

## Important Tips and Maintenance



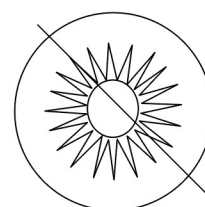
1. Keep children and animals away from working area as smaller parts may cause choking if swallowed.



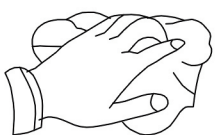
2. Never place liquids or anything damp upon furniture as it will mark. Ensure a coaster or running is beneath.



3. Never use ammonia based cleaning products as it will damage the finish.



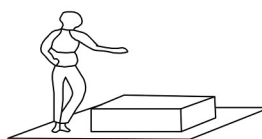
4. To avoid fading, keep furniture out of direct sunlight.



5. Use a soft or damp cloth (dry cloth) when wiping or cleaning surfaces.



6. Two person are required.



7. Lay a soft matt down to protect the furniture piece before and during assembly.

So your relationship is strong. But is it flat-pack furniture strong? Unless you're an aerospace engineer, assembling furniture can be slightly stressful. We recommend meditating quietly, pouring yourself a herbal tea (or slightly less herbal wine) and tackling things one step at a time. If you feel a passive aggressive remark coming on, try a compliment instead. E.g. "You're so good looking".

This 9-Step assembly should take around 30 minutes with an Allen Key-or 20 minutes with an electric drill. Godspeed.

Designed for everyday

## Component Hardware

Please check you have all the fittings  
part or tools are listed in below.

No. A  
Quantity: 20Pcs  
Cam Bolt



No. B  
Quantity: 20Pcs  
Cam Nut



No. C  
Quantity: 20Pcs  
Dowel



No. D  
Quantity: 12Pcs  
Screw  $\varnothing 6 \times 30\text{mm}$



No. E  
Quantity: 1Pc  
Allen Key



No. F  
Quantity: 20Pcs  
Screw



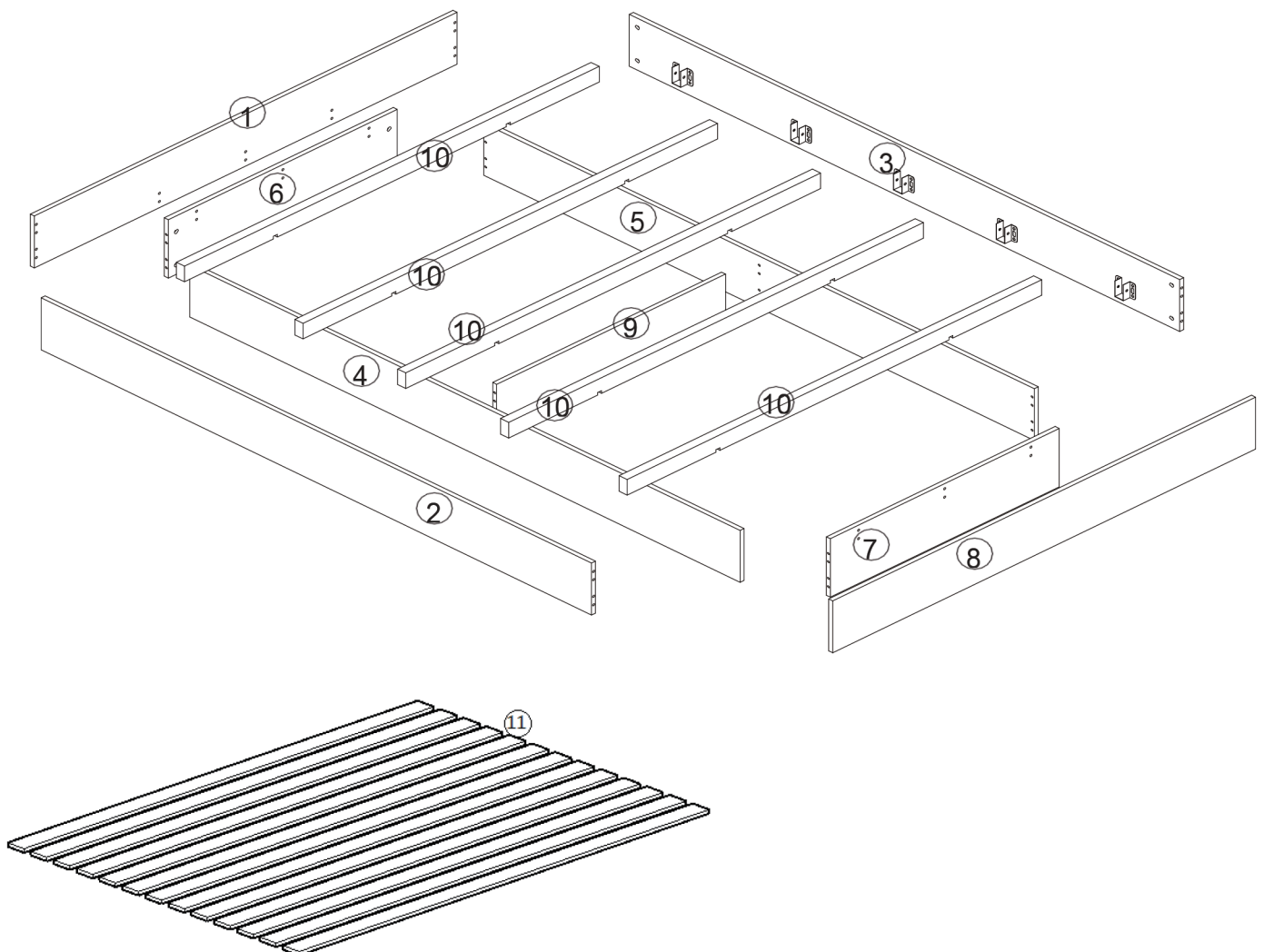
No. L  
Quantity: 6Pcs  
Screw



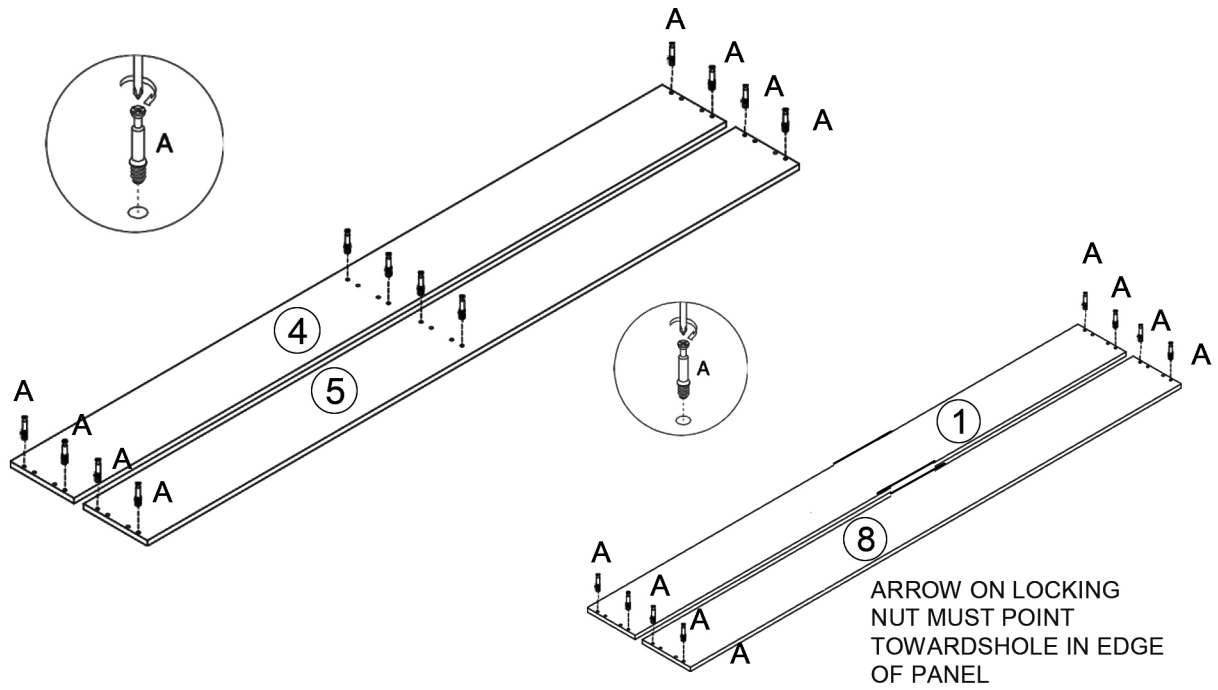
## Component Panels & part List

Please check you have all the panels  
are listed below.

1. BED END-1 ----- x1 Carton 1/3
2. SIDE PANEL-L ----- x1 Carton 1/3
3. SIDE PANEL-R ----- x1 Carton 1/3
4. SUPPORT PANEL-L ----- x1 Carton 1/3
5. SUPPORT PANEL-R ----- x1 Carton 1/3
6. CONNECTING PANEL-1 ----- x1 Carton 2/3
7. CONNECTING PANEL-2 ----- x1 Carton 2/3
8. BED END-2 ----- x1 Carton 1/3
9. MIDDLE CONNECTING PAN ----- x1 Carton 2/3
10. SUPPORT BAR ----- x5 Carton 3/3
11. BED SLATS ----- x1 Carton 3/3



# STEP 1

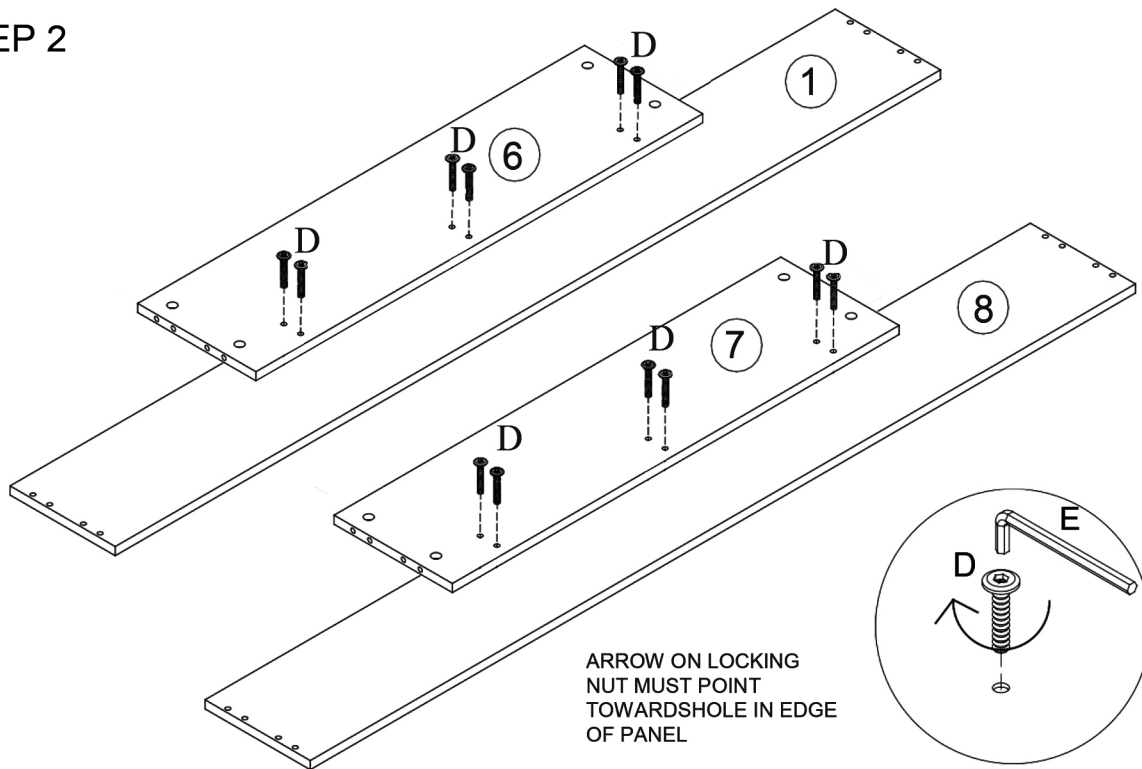


ARROW ON LOCKING NUT MUST POINT TOWARDSHOLE IN EDGE OF PANEL

No. A  
Quantity: 20Pcs  
Cam Bolt



# STEP 2

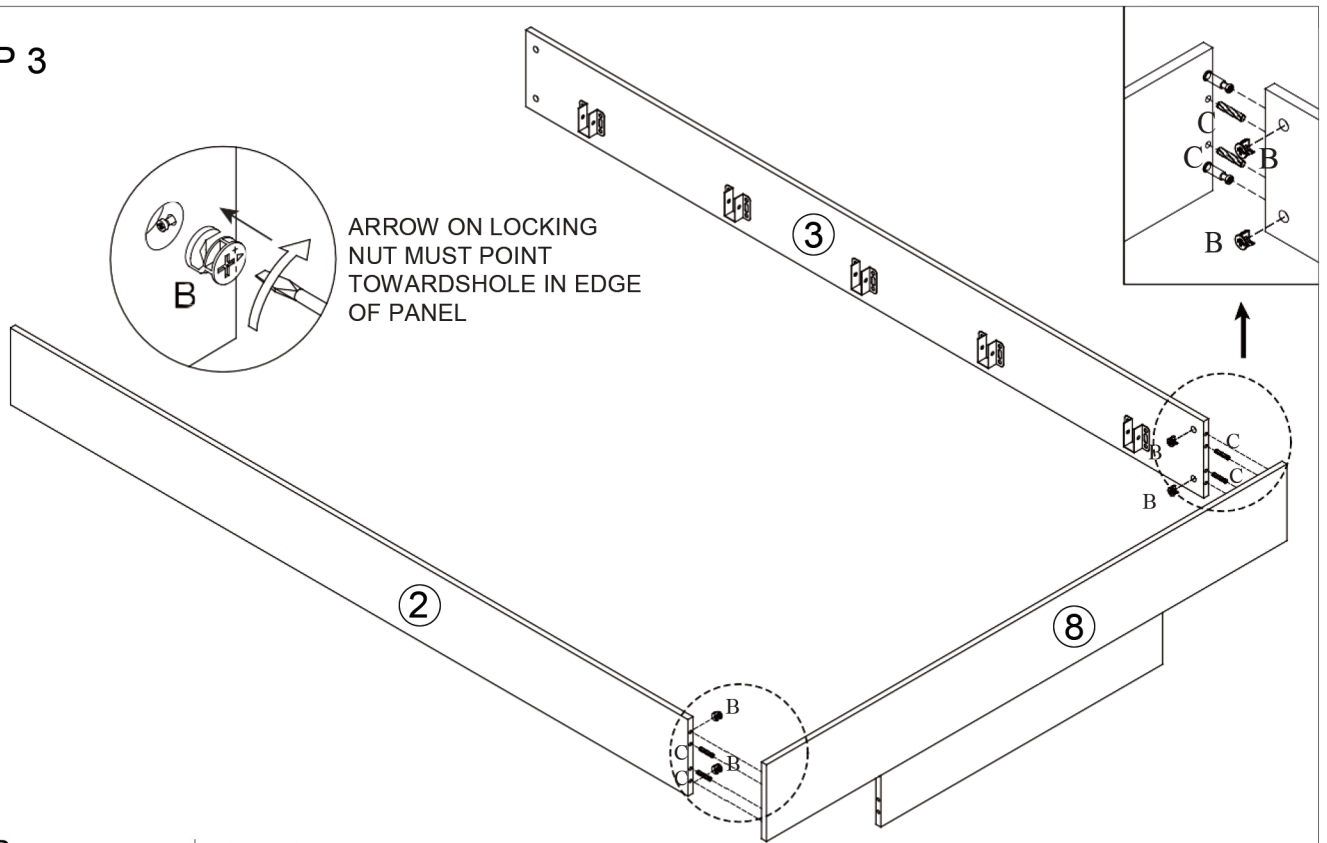


ARROW ON LOCKING NUT MUST POINT TOWARDSHOLE IN EDGE OF PANEL

No. D  
Quantity: 12Pcs  
Screw  $\varnothing 6 \times 30 \text{mm}$



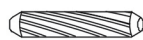
### STEP 3



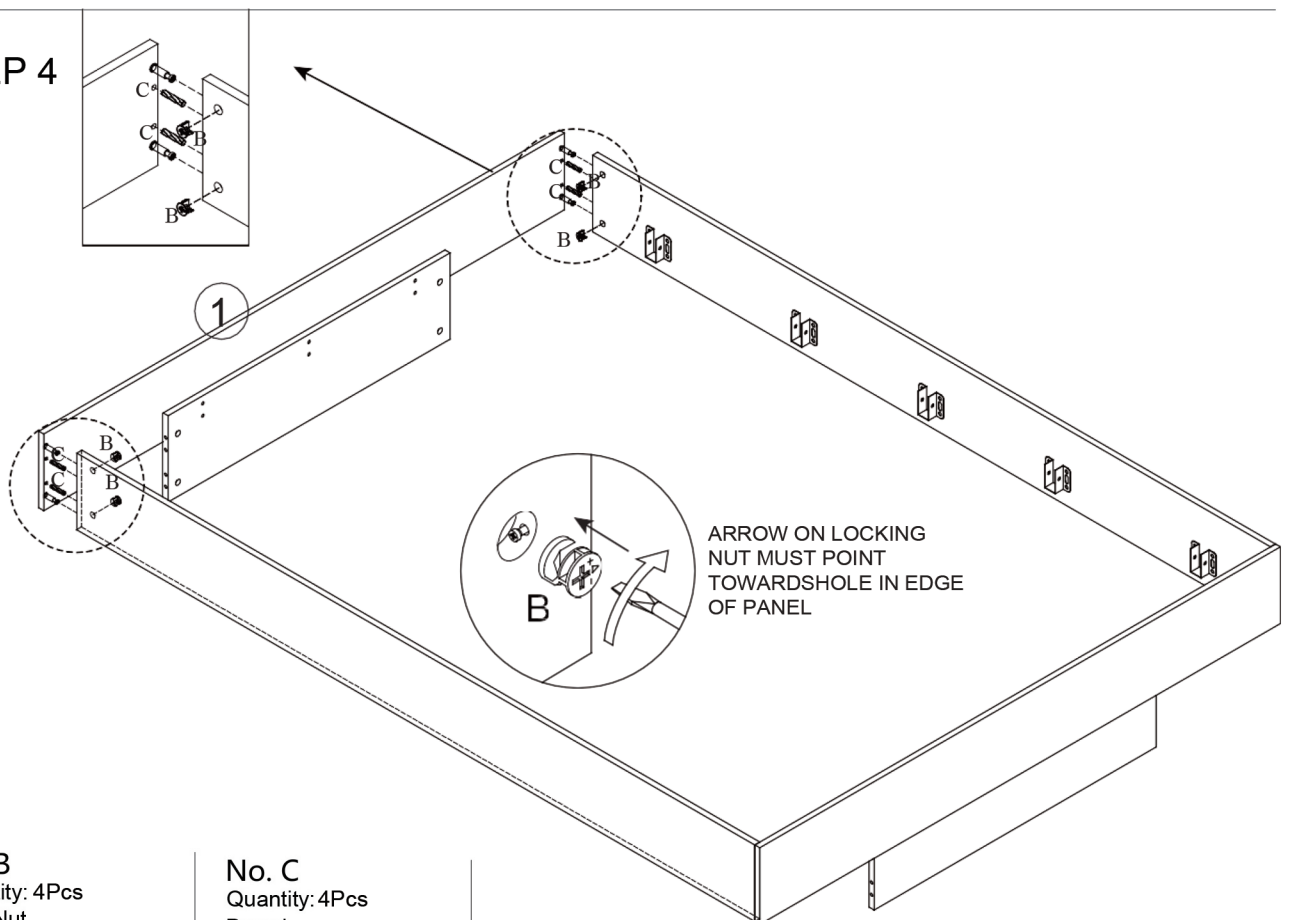
No. B  
Quantity: 4Pcs  
Cam Nut



No. C  
Quantity: 4Pcs  
Dowel



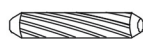
### STEP 4



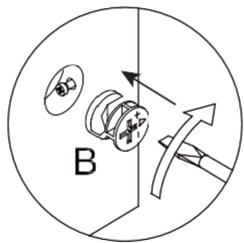
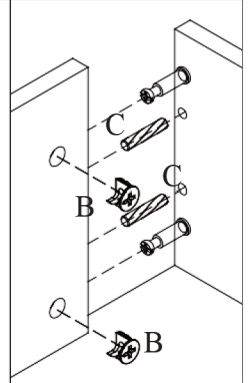
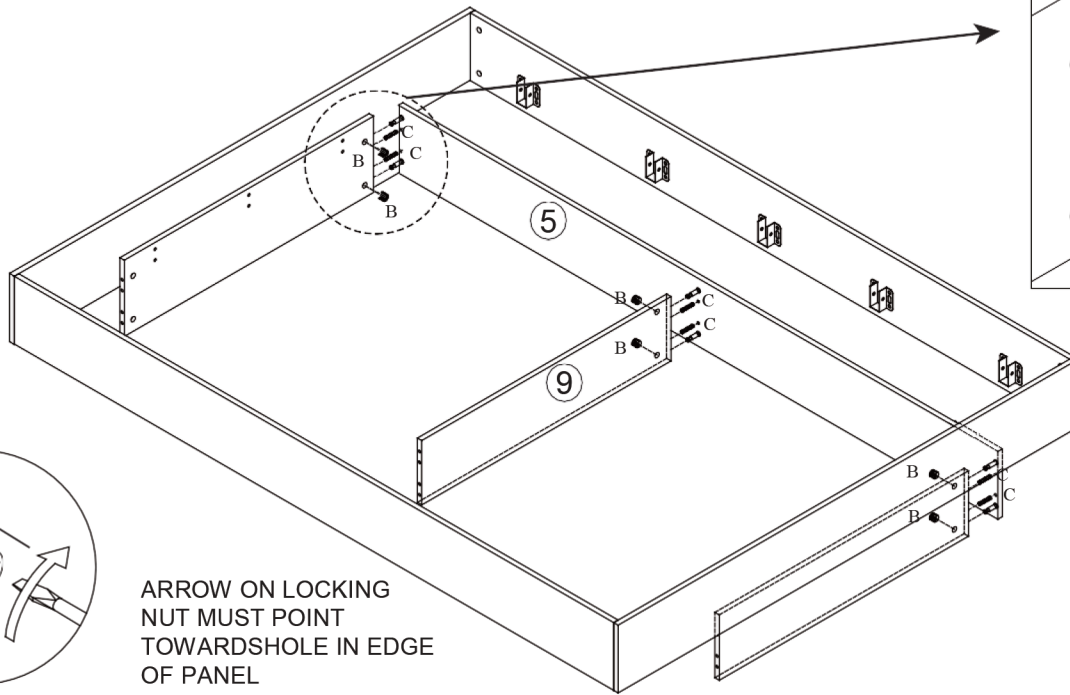
No. B  
Quantity: 4Pcs  
Cam Nut



No. C  
Quantity: 4Pcs  
Dowel



# STEP 5



ARROW ON LOCKING NUT MUST POINT TOWARDSHOLE IN EDGE OF PANEL

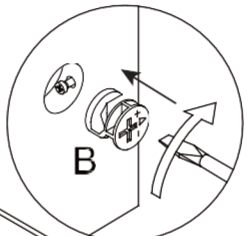
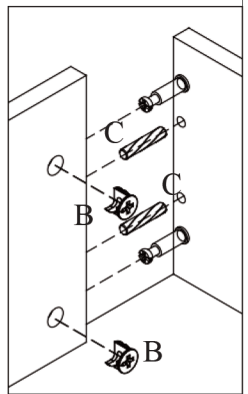
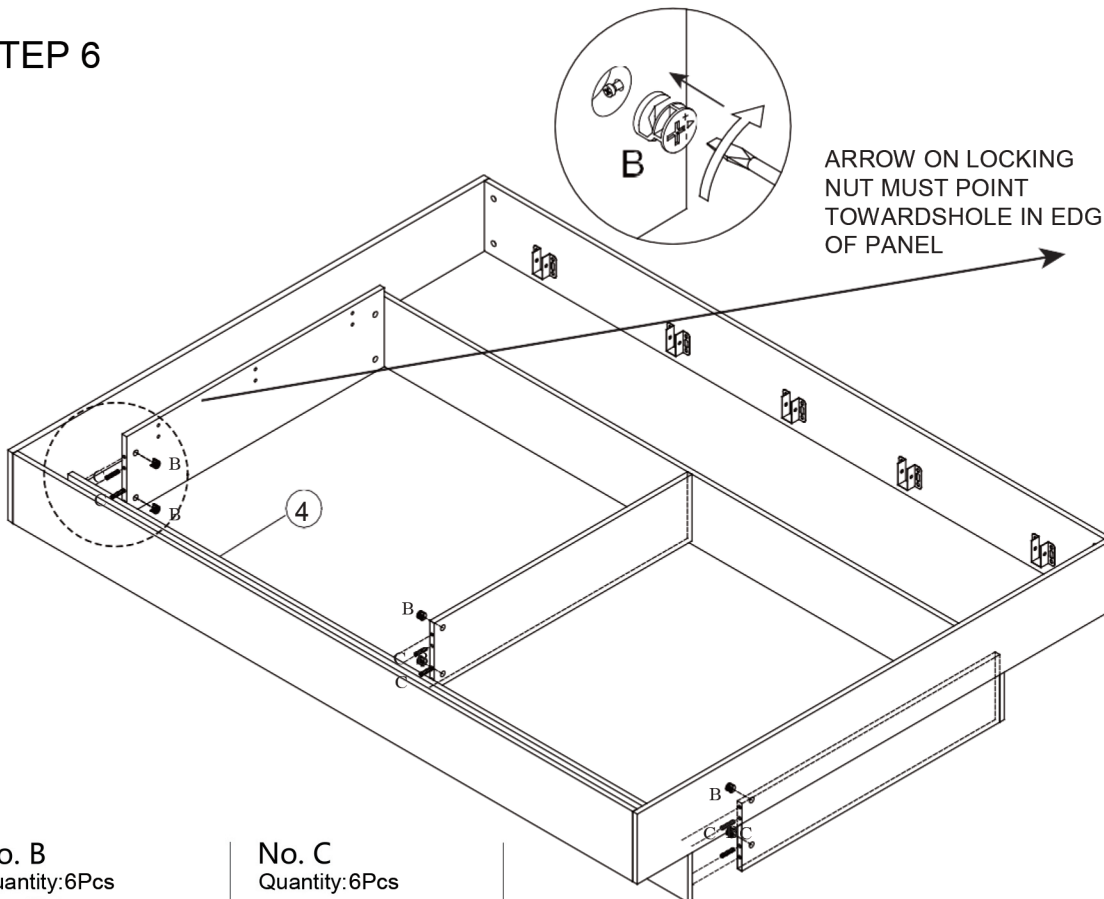
**No. B**  
Quantity: 6Pcs  
Cam Nut



**No. C**  
Quantity: 6Pcs  
Dowel



# STEP 6



ARROW ON LOCKING NUT MUST POINT TOWARDSHOLE IN EDGE OF PANEL

**No. B**  
Quantity: 6Pcs  
Cam Nut

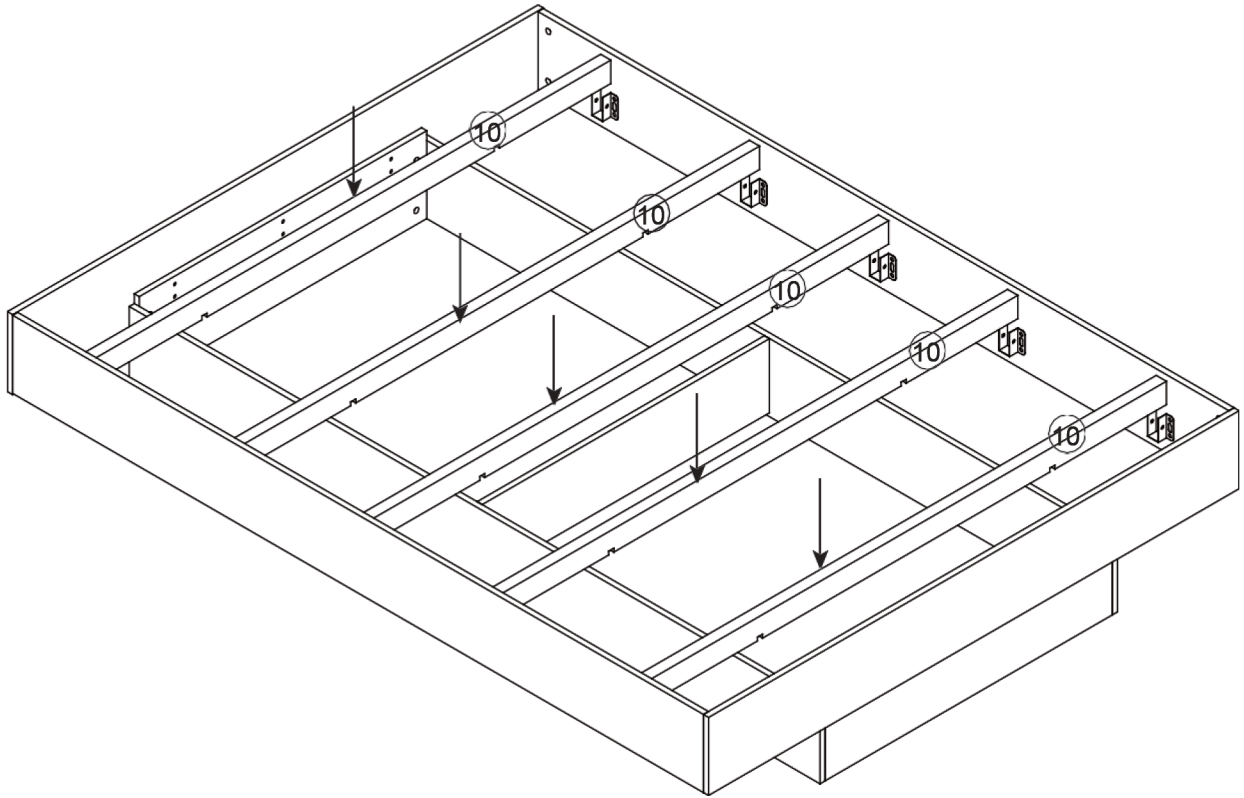


**No. C**  
Quantity: 6Pcs  
Dowel

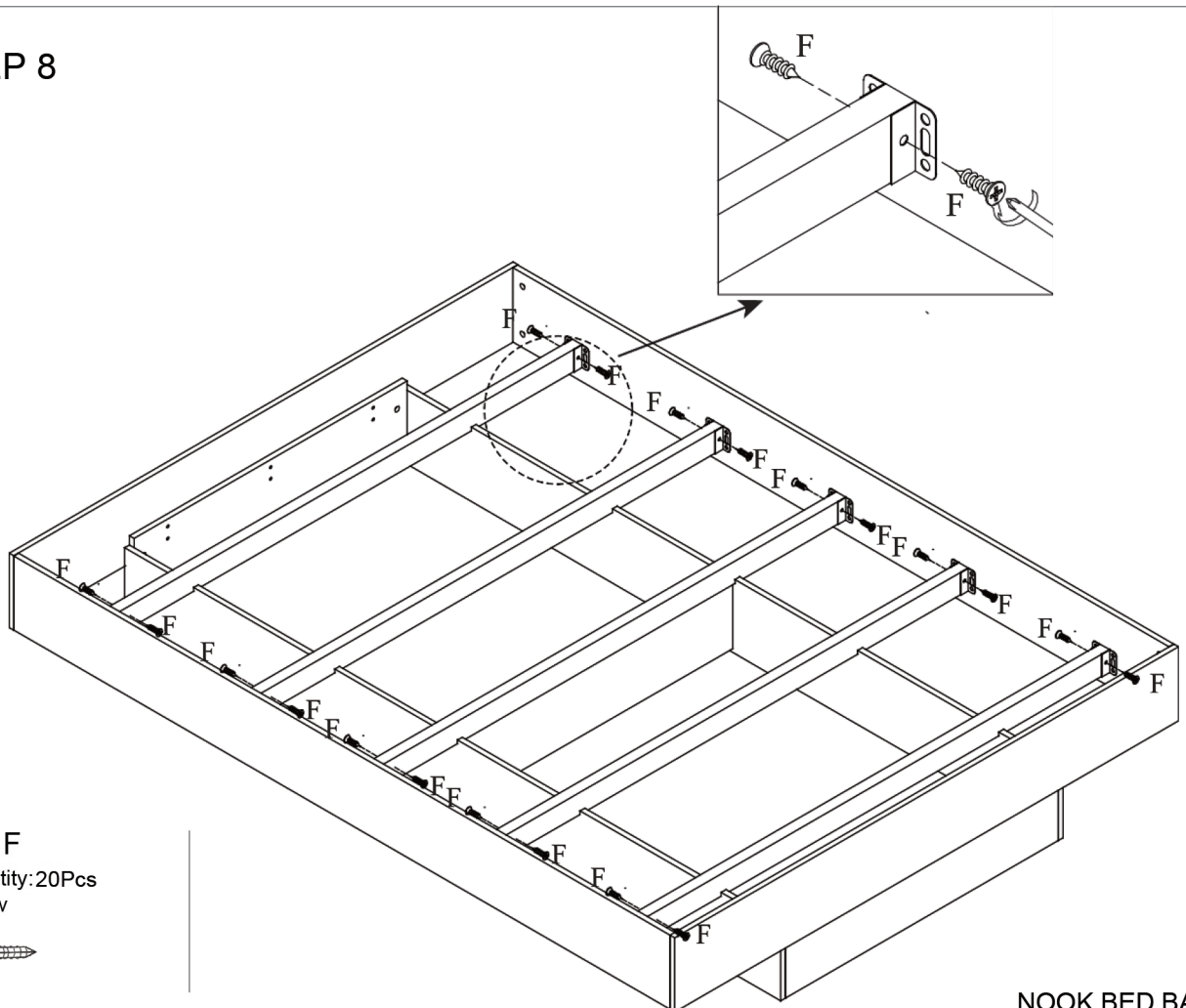




# STEP 7



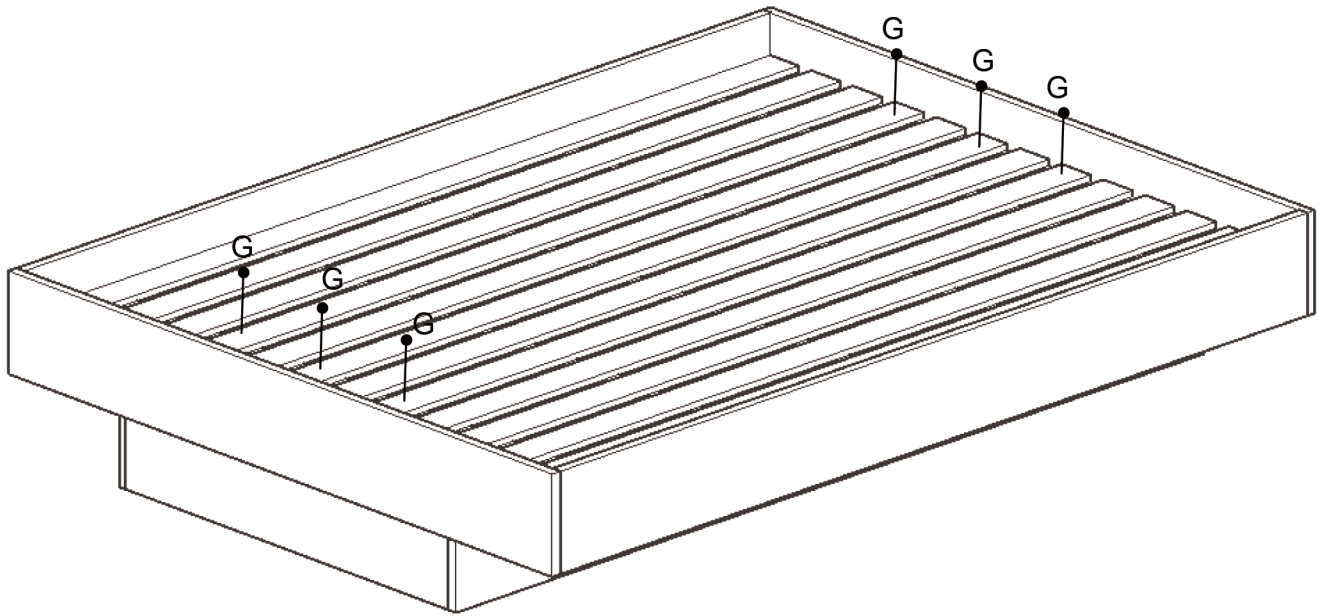
# STEP 8



No. F  
Quantity: 20Pcs  
Screw



# STEP 9



No. L  
Quantity: 6Pcs  
Screw



lifely.com.au

Great job. You're done!

Don't forget to share how it looks in  
your space and tag us on Instagram.

@lifelyhome#homewithlifely!