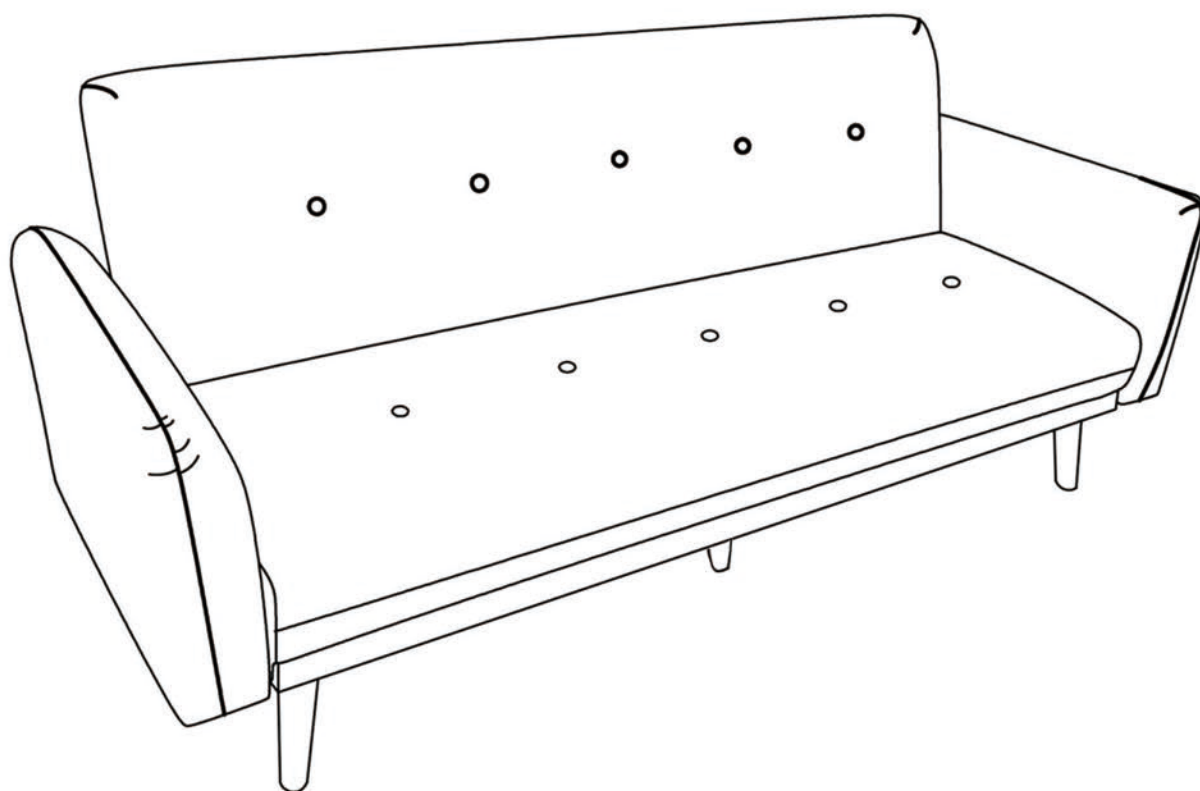


Assembly Instructions

Nikko Series



Lifely*

Product Code
NKO-19284-SOFA BED

Dimensions(W x D x H)
1970*760*810mm

Important

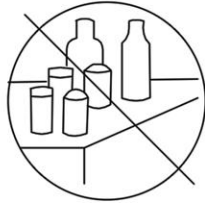
Please read through instruction carefully
Before assembly and keep for future reference.

For our full catalogue of assembly instructions,
Visit: lifely.com.au/assembly.

Important Tips and Maintenance



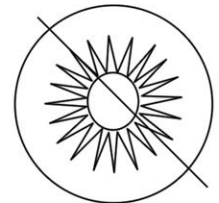
1. Keep children and animals away from working area as smaller parts may cause choking if swallowed.



2. Never place liquids or anything damp upon furniture as it will mark. Ensure a coaster or running is beneath.



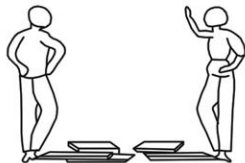
3. Never use ammonia based cleaning products as it will damage the finish.



4. To avoid fading, keep furniture out of direct sunlight.



5. Use a soft or damp cloth (dry cloth) when wiping or cleaning surfaces.



6. Two person are required.



7. Lay a soft mat down to protect the furniture piece before and during assembly.

So your relationship is strong. But is it flat-pack furniture strong? Unless you're an aerospace engineer, assembling furniture can be slightly stressful. We recommend meditating quietly, pouring yourself a herbal tea (or slightly less herbal wine) and tackling things one step at a time. If you feel a passive aggressive remark coming on, try a compliment instead. E.g. "You're so good looking".

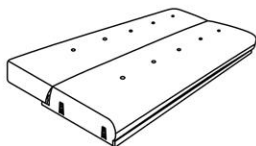
This 4-Step assembly should take around 20 minutes with an Allen Key-or 10 minutes with an electric drill. Godspeed.

Designed for everyday

Component Hardware

Please check you have all the fittings
part or tools are listed in below.

No. A
Quantity: 1Pc



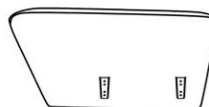
No. B
Quantity: 4Pcs



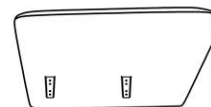
No. C
Quantity: 1Pc



No. D
Quantity: 1Pc



No. E
Quantity: 1Pc



No. F
Quantity: 1Pc



M5

No. G
Quantity: 4Pcs



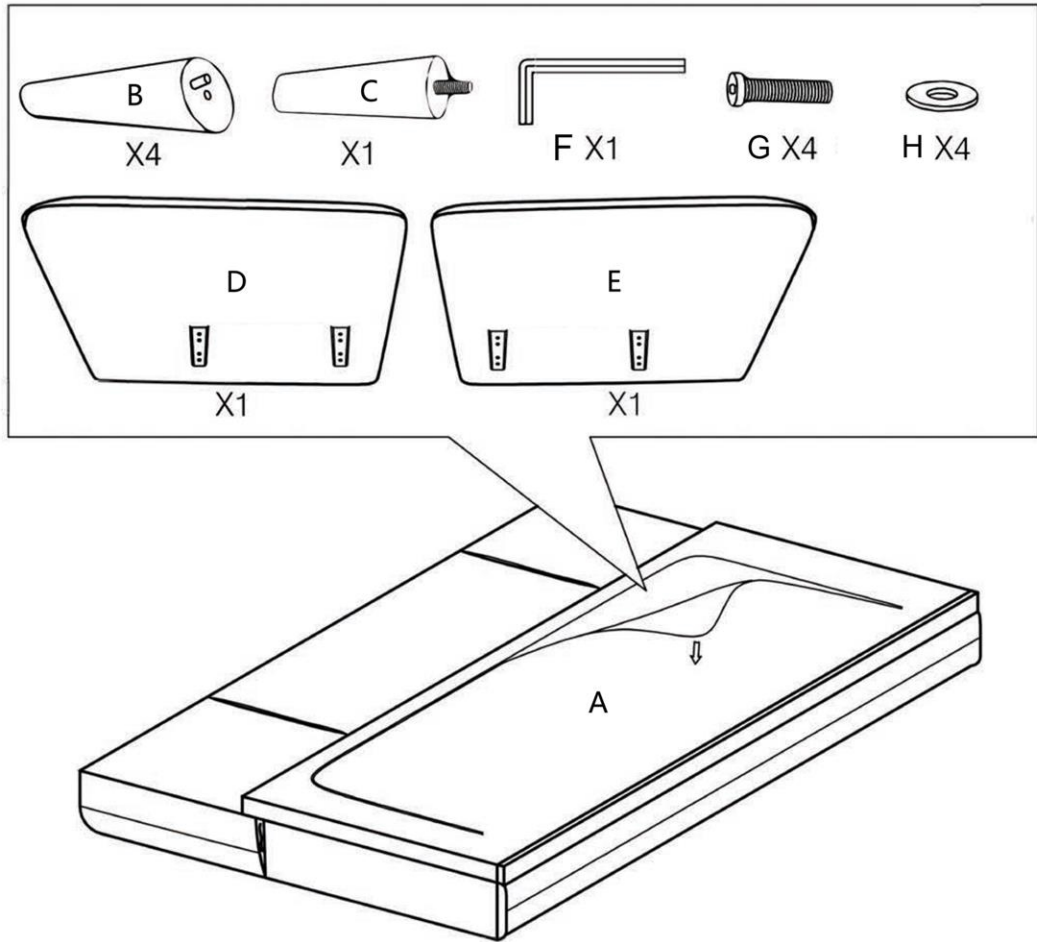
M8*65MM

No. H
Quantity: 4Pcs

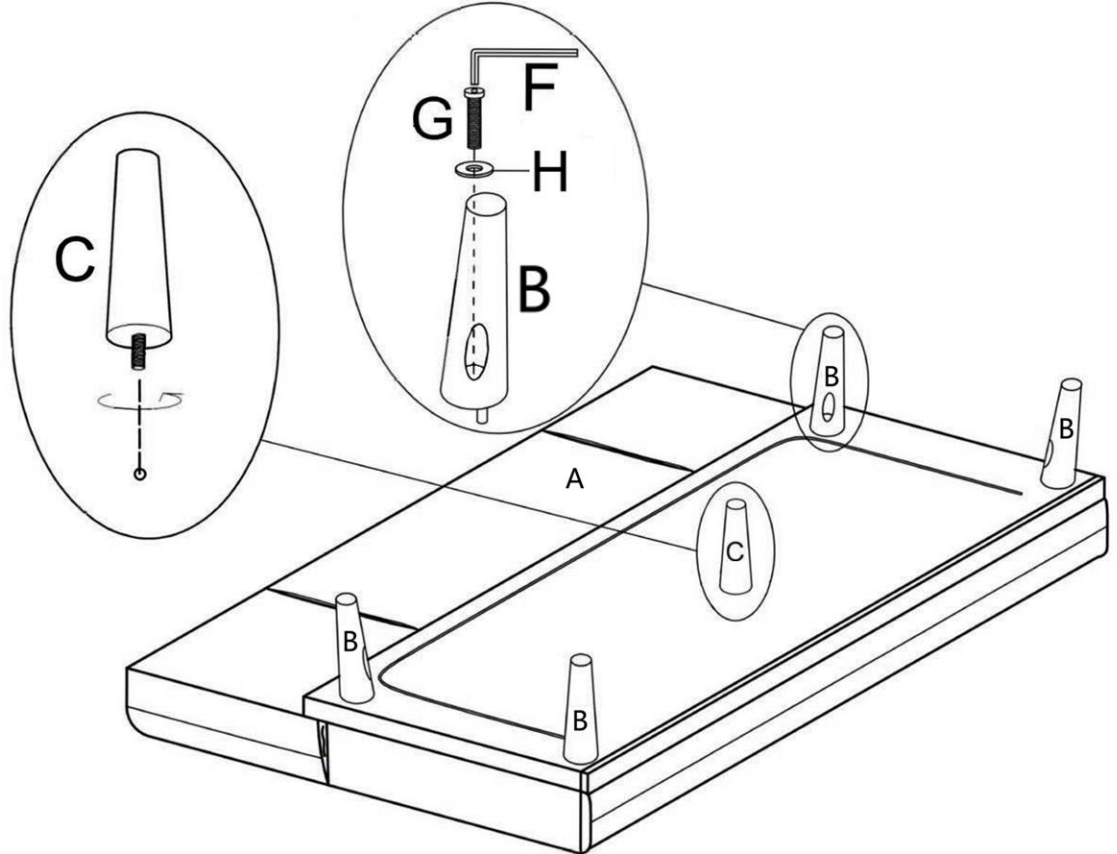


20MM

STEP 1



STEP 2



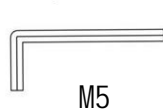
No. B
Quantity: 4Pcs



No. C
Quantity: 1Pc



No. F
Quantity: 1Pc



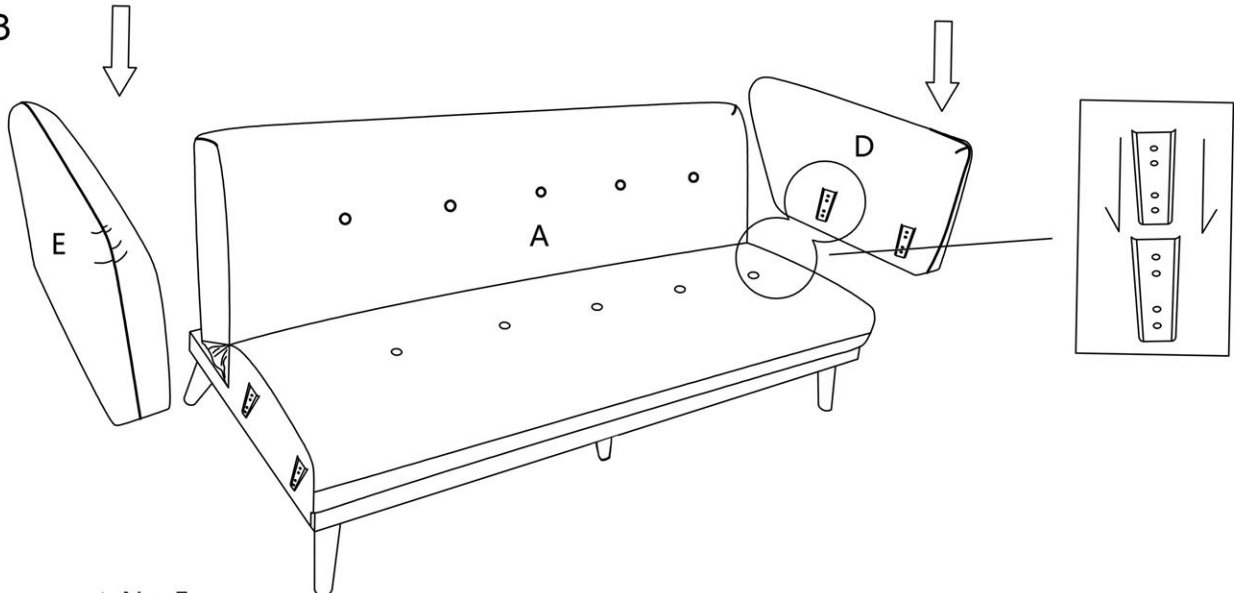
No. G
Quantity: 4Pcs



No. H
Quantity: 4Pcs

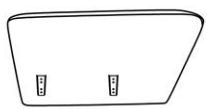
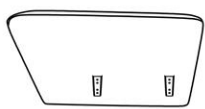


STEP 3

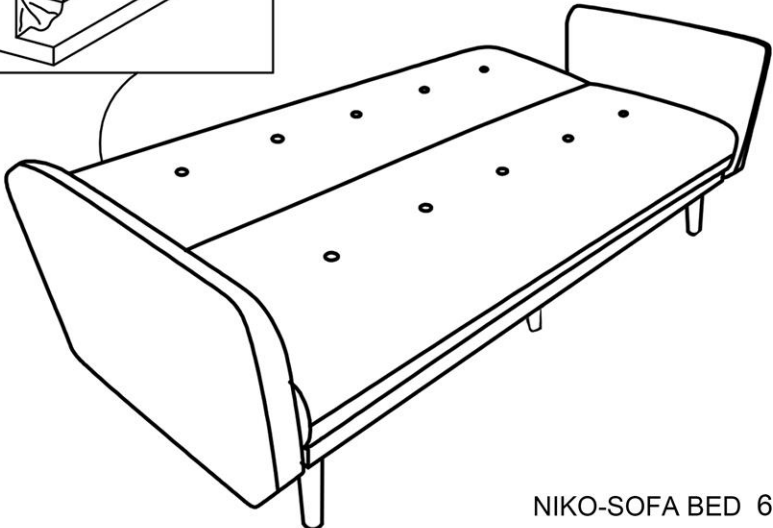
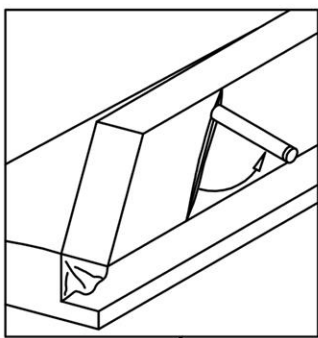
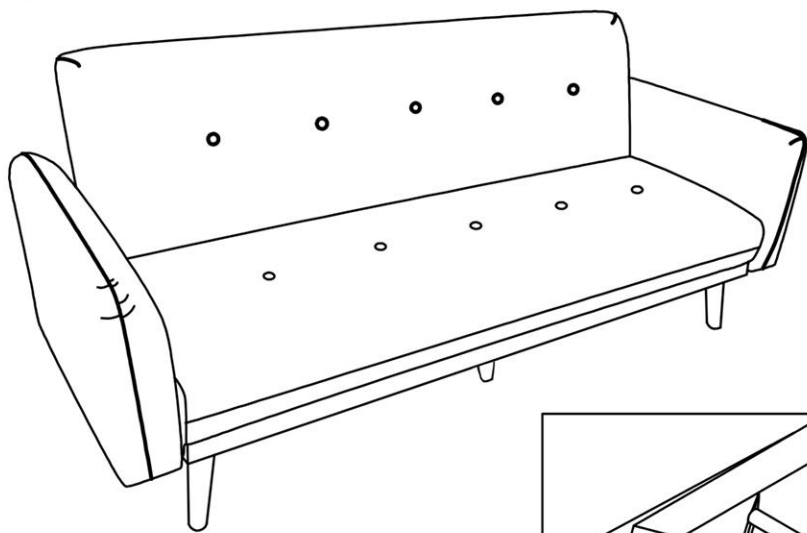


No. D
Quantity: 1Pc

No. E
Quantity: 1Pc



STEP 4



lifely.com.au

Great job. You're done!

Don't forget to share how it looks in
your space and tag us on Instagram.
@lifelyhome #homewithlifely!