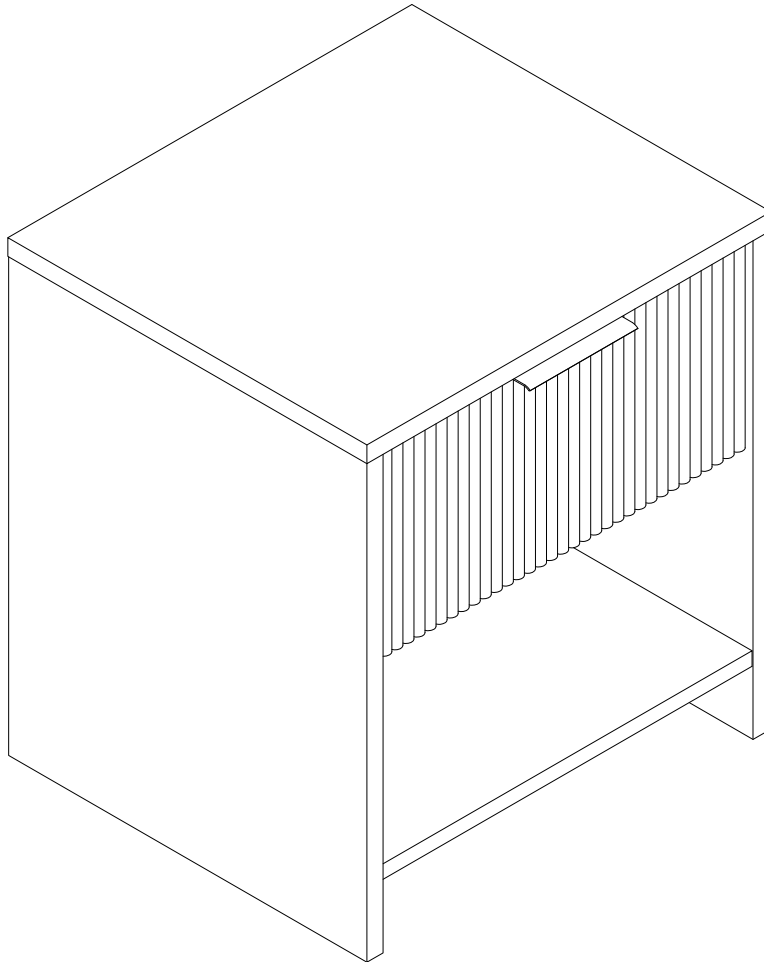


Assembly Instructions

Miles Series



Lifely*

Product Code

MILS-BT-OAK Miles Bedside Table

Dimensions(W x D x H)

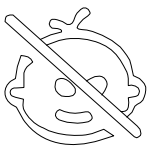
450*400*500mm

Important

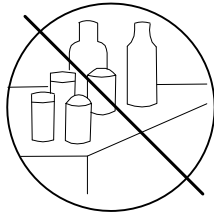
Please read through instruction carefully
Before assembly and keep for future reference.

For our full catalogue of assembly instructions,
Visit: lifely.com.au/assembly.

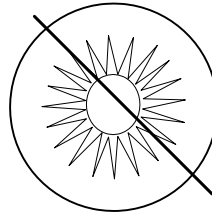
Important Tips and Maintenance



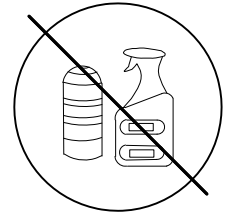
1. Keep children and animals away from working area as smaller parts may cause choking if swallowed.



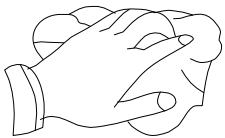
2. Never place liquids or anything damp upon furniture as it will mark. Ensure a coaster or running is beneath.



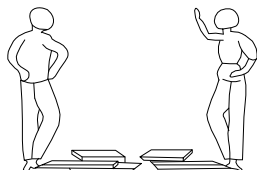
3. Never use ammonia based cleaning products as it will damage the finish.



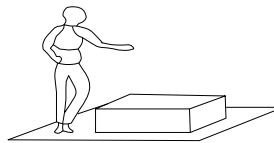
4. To avoid fading, keep furniture out of direct sunlight.



5. Use a soft or damp cloth (dry cloth) when wiping or cleaning surfaces.



6. Two person are required.



7. Lay a soft matt down to protect the furniture piece before and during assembly.

So your relationship is strong. But is it flat-pack furniture strong? Unless you're an aerospace engineer, assembling furniture can be slightly stressful. We recommend meditating quietly, pouring yourself a herbal tea (or slightly less herbal wine) and tackling things one step at a time. If you feel a passive aggressive remark coming on, try a compliment instead. E.g. "You're so good looking."

This 8-step assembly should take around 39 minutes with an Allen key.

Designed for everyday

Component Hardware

Please check you have all the fittings
part or tools are listed in below.

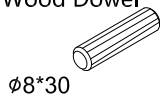
No. A
Quantity:28 Pcs
Cam



No. B
Quantity:28 Pcs
Cam Lock Dowel



No. C
Quantity:12 Pcs
Wood Dowel



No. D
Quantity:4 Pcs
Screw



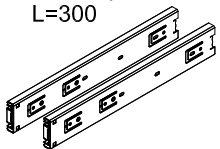
No. E
Quantity:15 Pcs
Screw



No. F
Quantity:4 Pcs
EVA Pad
ø15mm



No. G
Quantity:1 Set
L=300



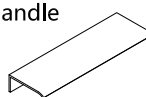
No. H
Quantity:28 Pcs
Cover
ø21



No. I
Quantity:1 Pc
Key
5mm



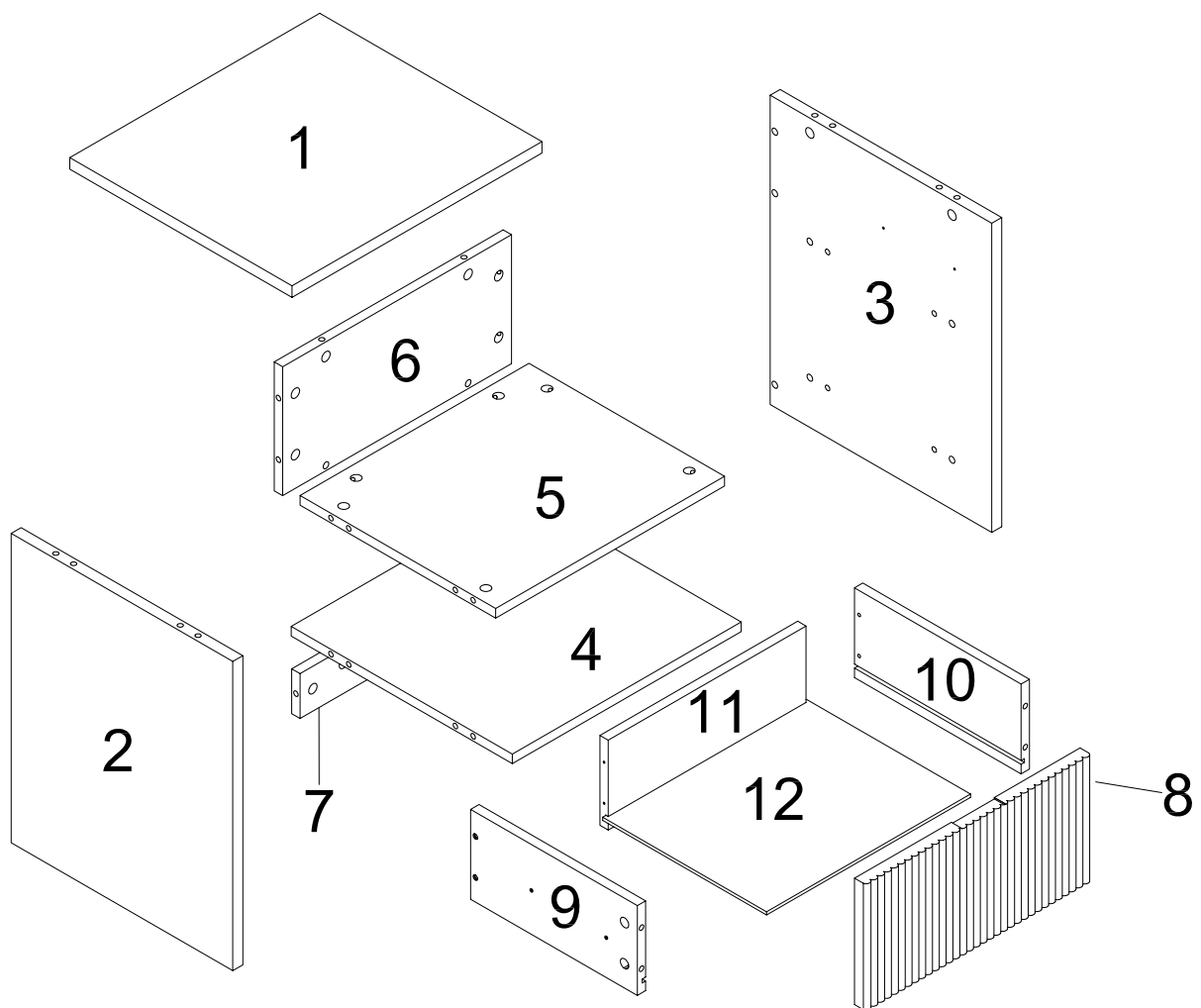
No. J
Quantity:1 Pc
Handle



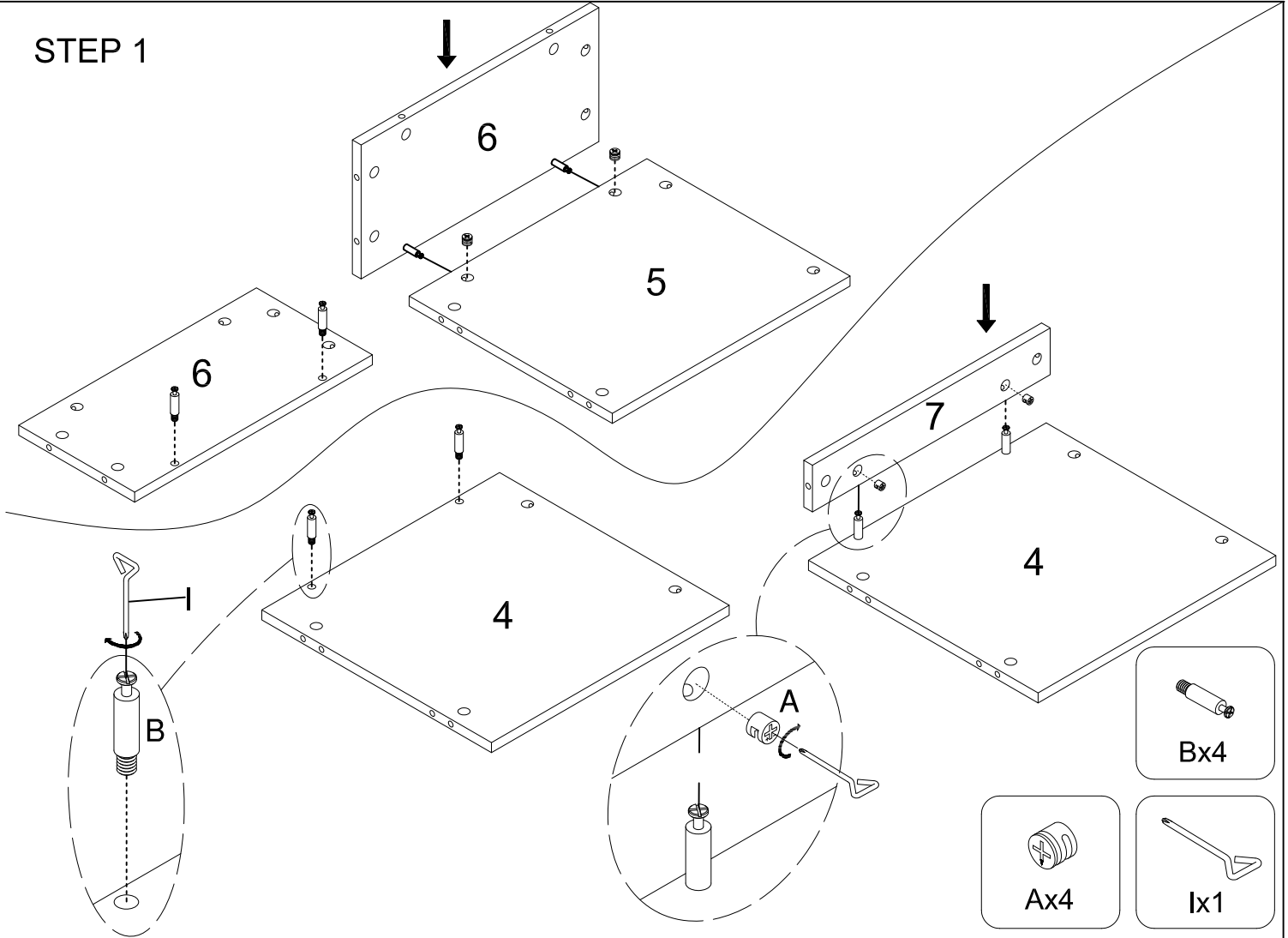
Component Panels

Please check you have all the panels
are listed below.

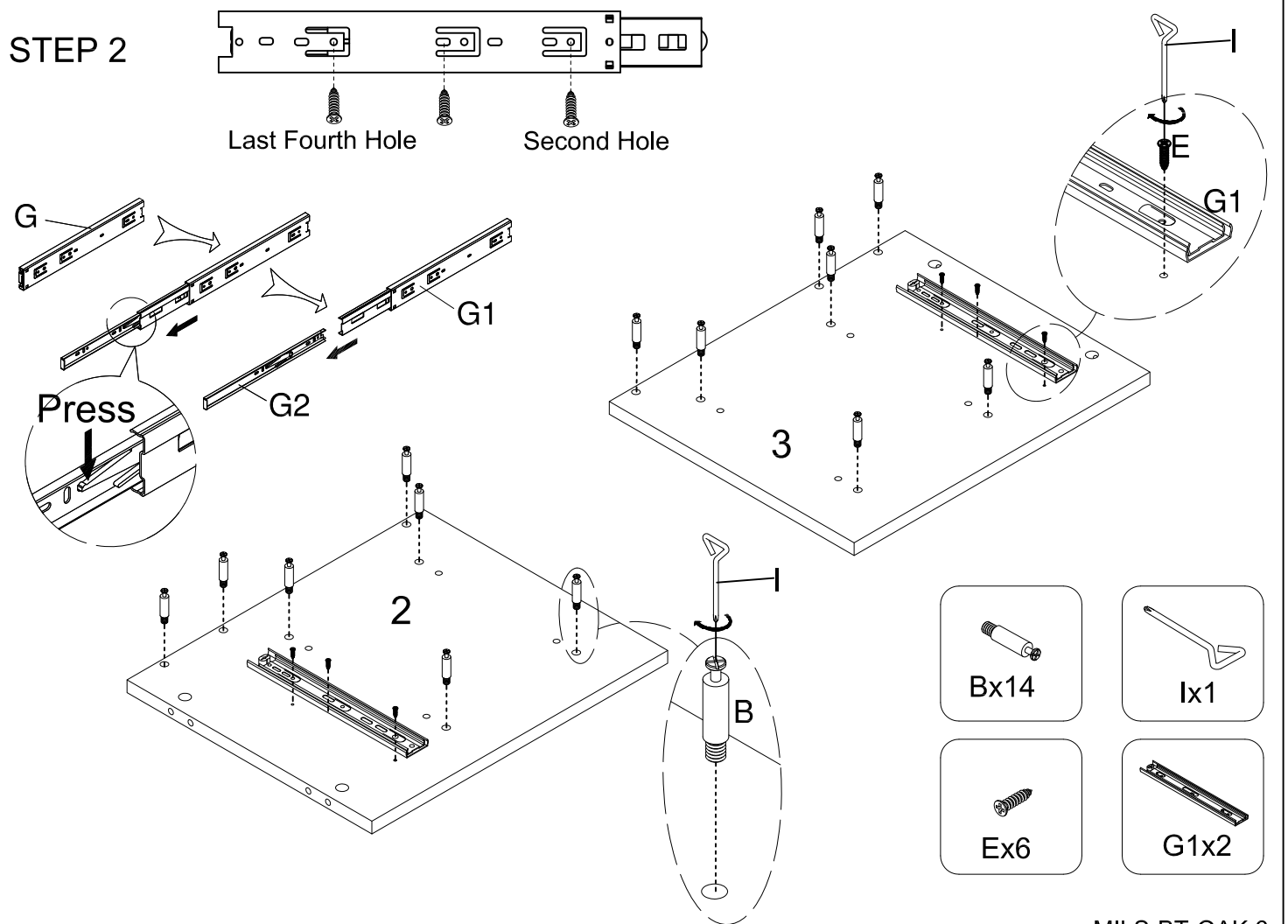
- | | |
|---------------------------------|-------------------------------------|
| 1. Top Panel - - - - -x1 | 7. Back Foot - - - - -x1 |
| 2. Side Panel-Left - - - - -x1 | 8. Drawer Panel - - - - -x1 |
| 3. Side Panel-Right - - - - -x1 | 9. Drawer Side Panel-Left - - - -x1 |
| 4. Bottom Panel - - - - -x1 | 10. Drawer Side Panel-Right - - -x1 |
| 5. Shelf - - - - -x1 | 11. Drawer Back Panel - - - - -x1 |
| 6. Back Panel - - - - -x1 | 12. Drawer Bottom Panel - - - - -x1 |



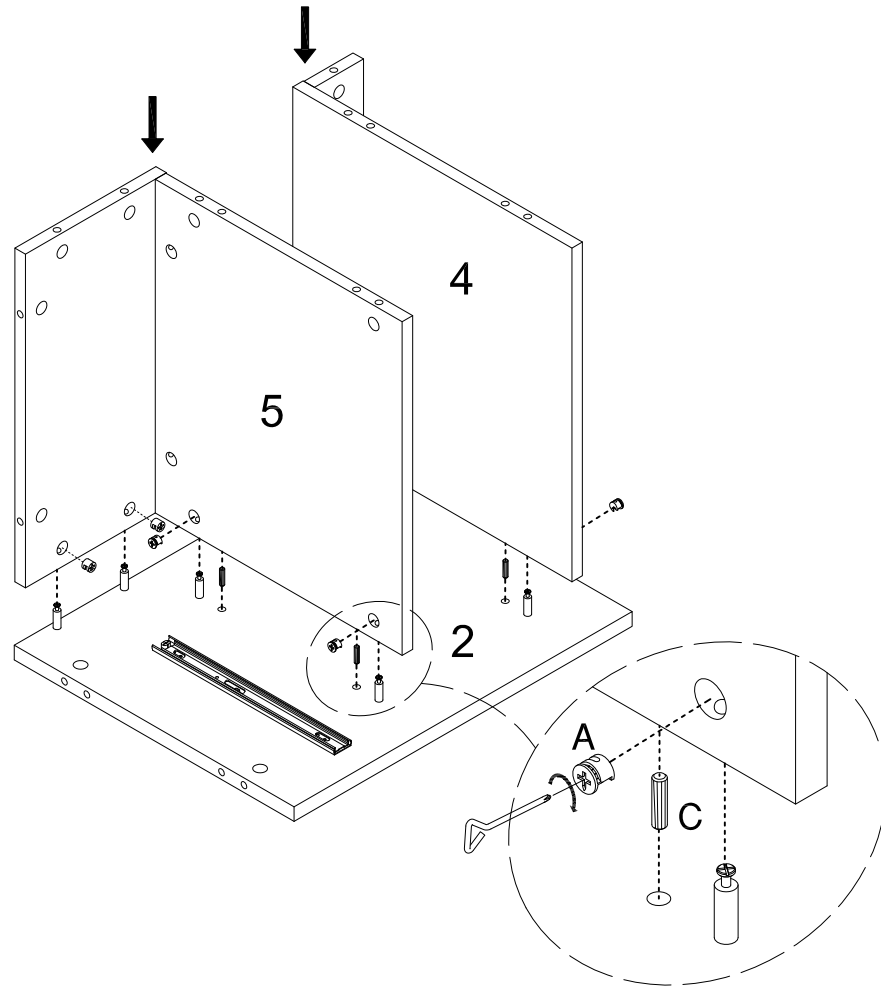
STEP 1


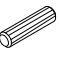



STEP 2

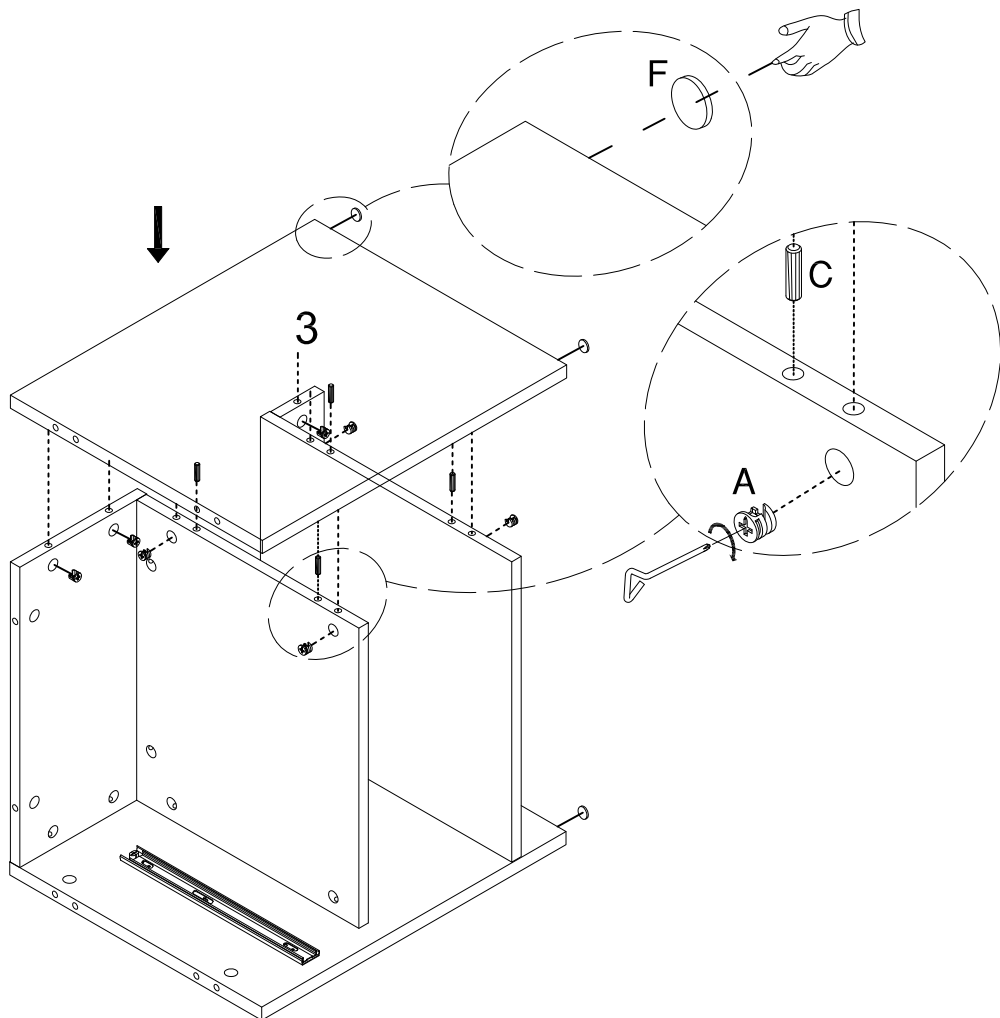



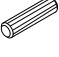


STEP 3



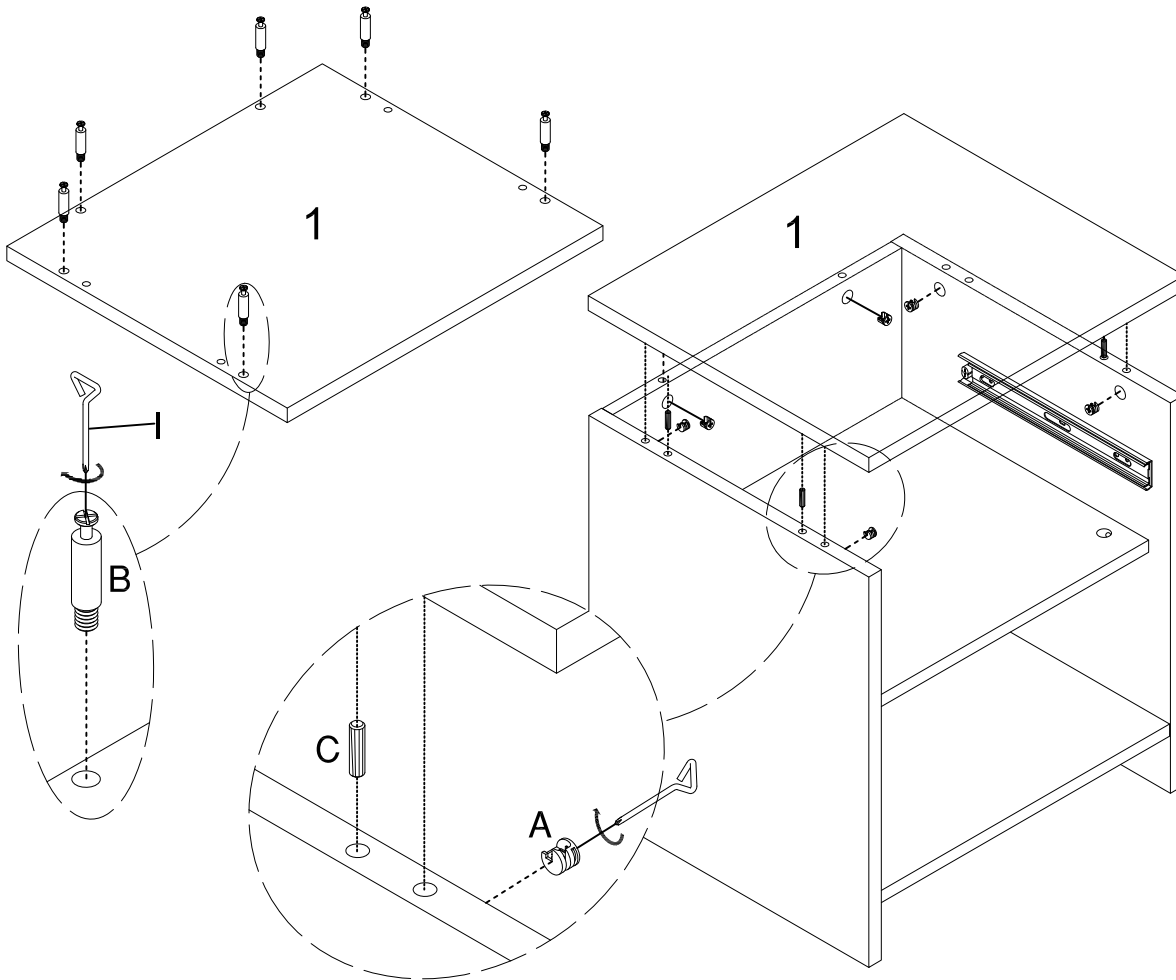
-  Ax7
-  Cx4
-  lx1



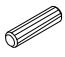

STEP 4



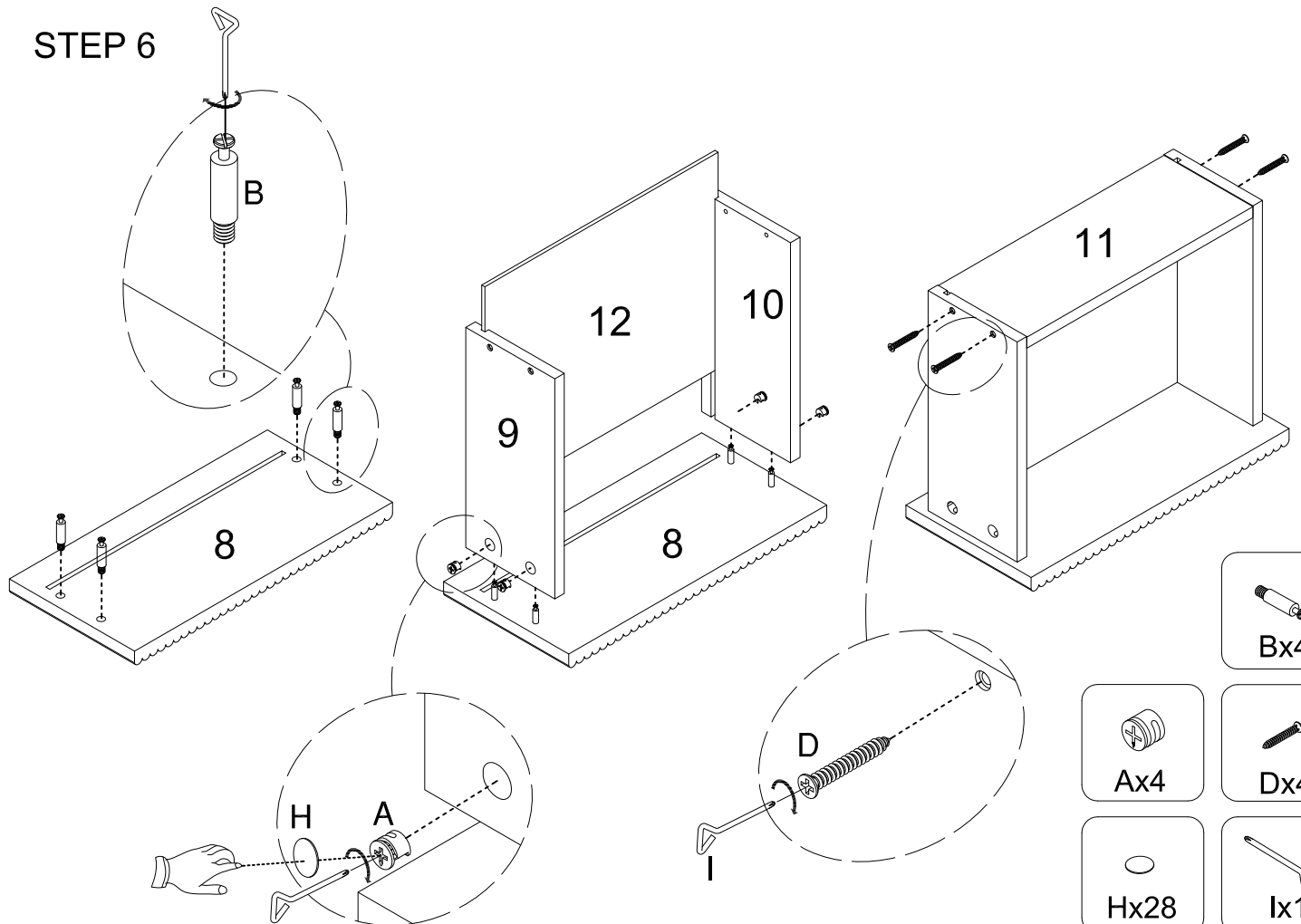
-  Ax7
-  Cx4
-  Fx4
-  lx1






STEP 5



-  Ax6
-  Bx6
-  Cx4
-  Ix1

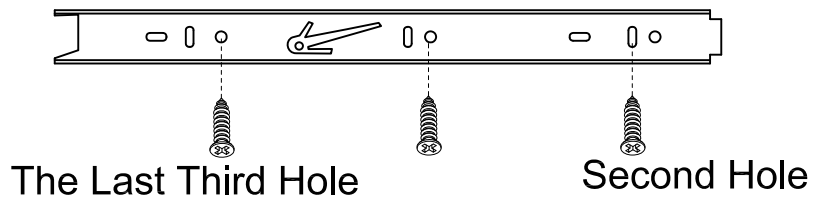
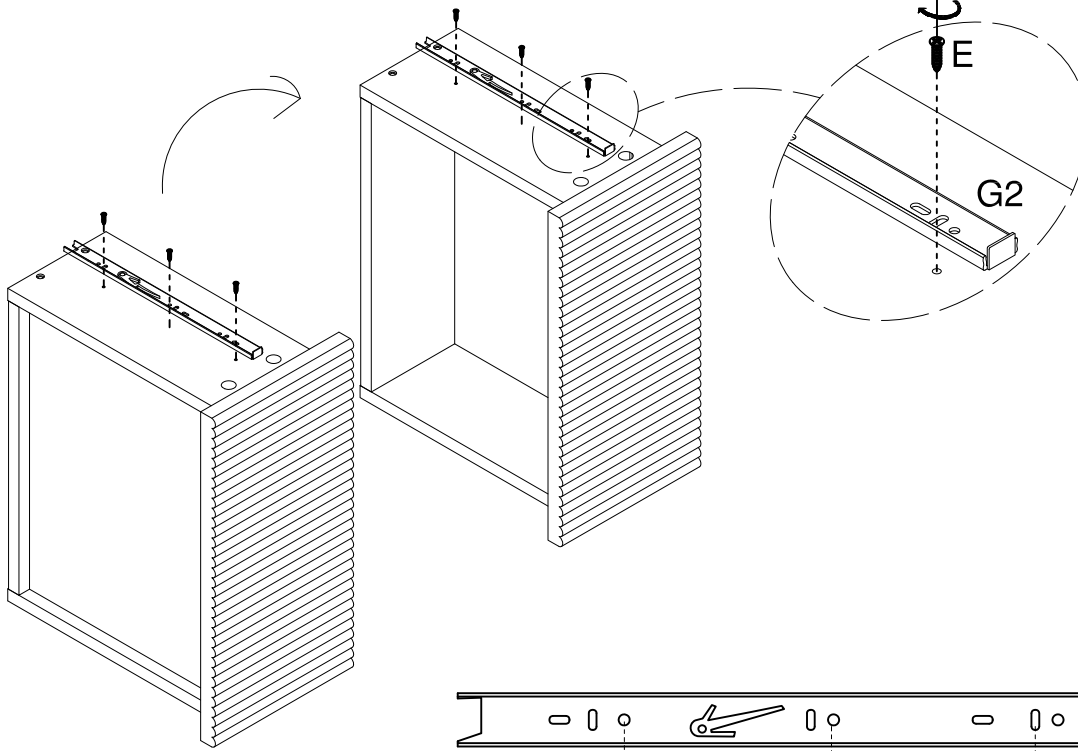
STEP 6



-  Bx4
-  Dx4
-  Ax4
-  Hx28
-  Ix1

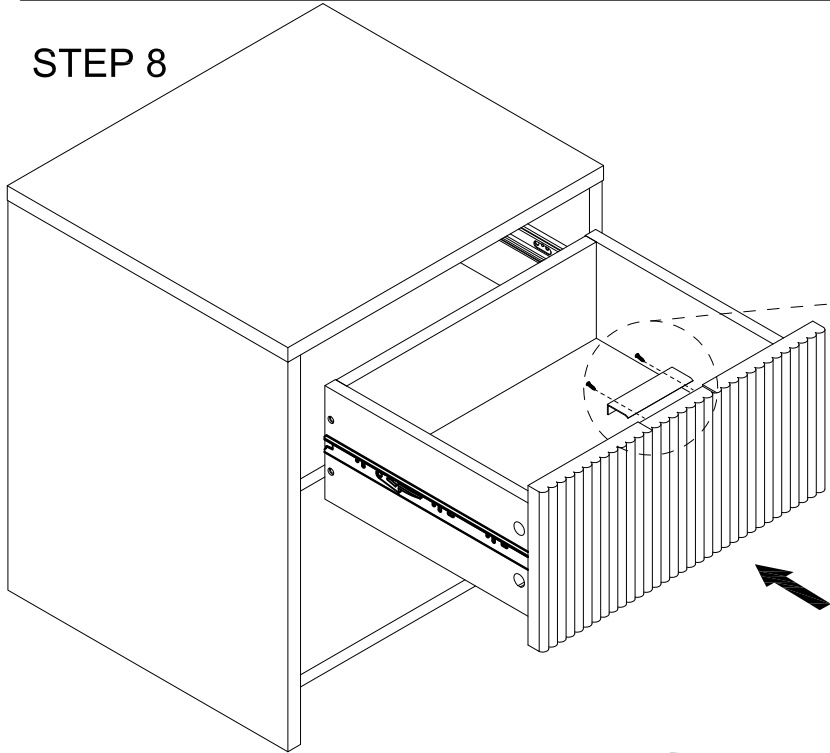
MILS-BT-OAK 8


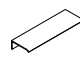
STEP 7

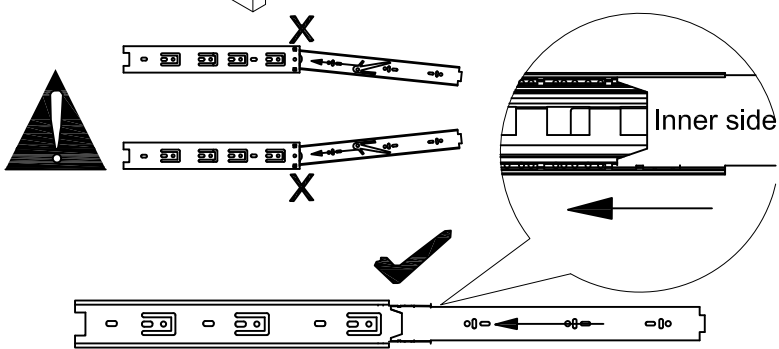


-  Ex6
-  G2x2
-  lx1

STEP 8



-  Ex2
-  Jx1



lifely.com.au

Great job. You're done!

Don't forget to share how it looks in
your space and tag us on Instagram.

@lifelyhome #homewithlifely!