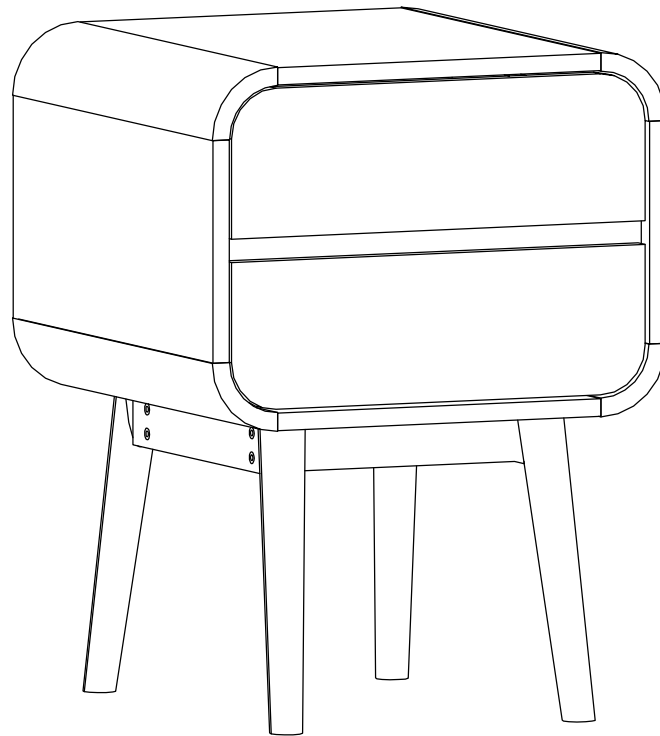


Assemble Instructions

Muzi Series



Lifely*

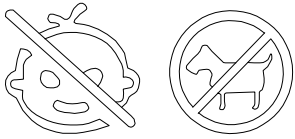
Product Code
MZI-BT4242-WOK
Muzi Bedside Table
Dimensions(W x D x H)
420*420*570mm

Important

Please read through instructions carefully
Before assembly and keep for future reference.

For our full catalogue of assembly instructions,
Visit:lifely.com.au/assembly.

Important Tips and Maintenance



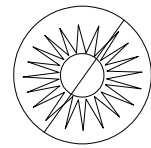
1. Keep children and animals away from working area as smaller parts may cause choking if swallowed



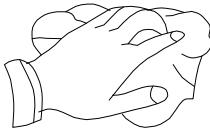
2. Never place liquids or anything damp upon furniture as it will mark, Ensure a coaster or running is beneath.



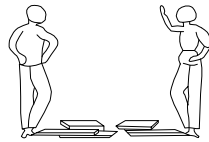
3. Never use ammonia based cleaning products as it will damage the finish.



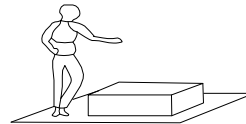
4. To avoid fading, keep furniture out of direct sunlight.



5. Use a soft or damp cloth (dry cloth) when wiping or cleaning surface.



6. Two person are required



7. Lay a soft mat down to protect the furniture pieces before and during assembly.

So your relationship is strong. But is it flat-pack furniture strong? Unless you're an aerospace engineer, assembling furniture can be slightly stressful. We recommend meditating quietly, pouring yourself a herbal tea (or slightly less herbal wine) and tackling things one step at a time. If you feel a passive aggressive remark coming on, try a compliment instead. E.g. "You're so good looking".

This 14-Step assembly should take around 55 minutes with an Allen Key-or 40 minutes with an electric drill.
Godspeed.

Designed for everyday

Components Hardware

Please check you have all the fittings part or tools are listed in below.

No.A
Quantity:20Pcs
Dowel



No.B
Quantity:28Pcs
Cam Bolt



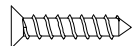
No.B
Quantity:28Pcs
Cam Nut



No.C
Quantity:20Pcs
Screw M3.5*14mm



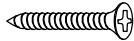
No.D
Quantity:8Pcs
Screw M3.5*35mm



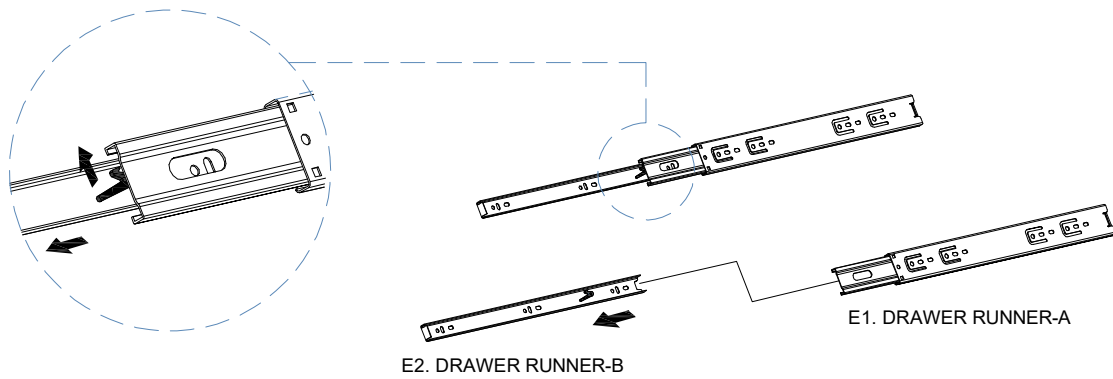
No.E
Quantity:2Pcs
Drawer Runner



No.F
Quantity:16Pcs
Screw M4*40mm



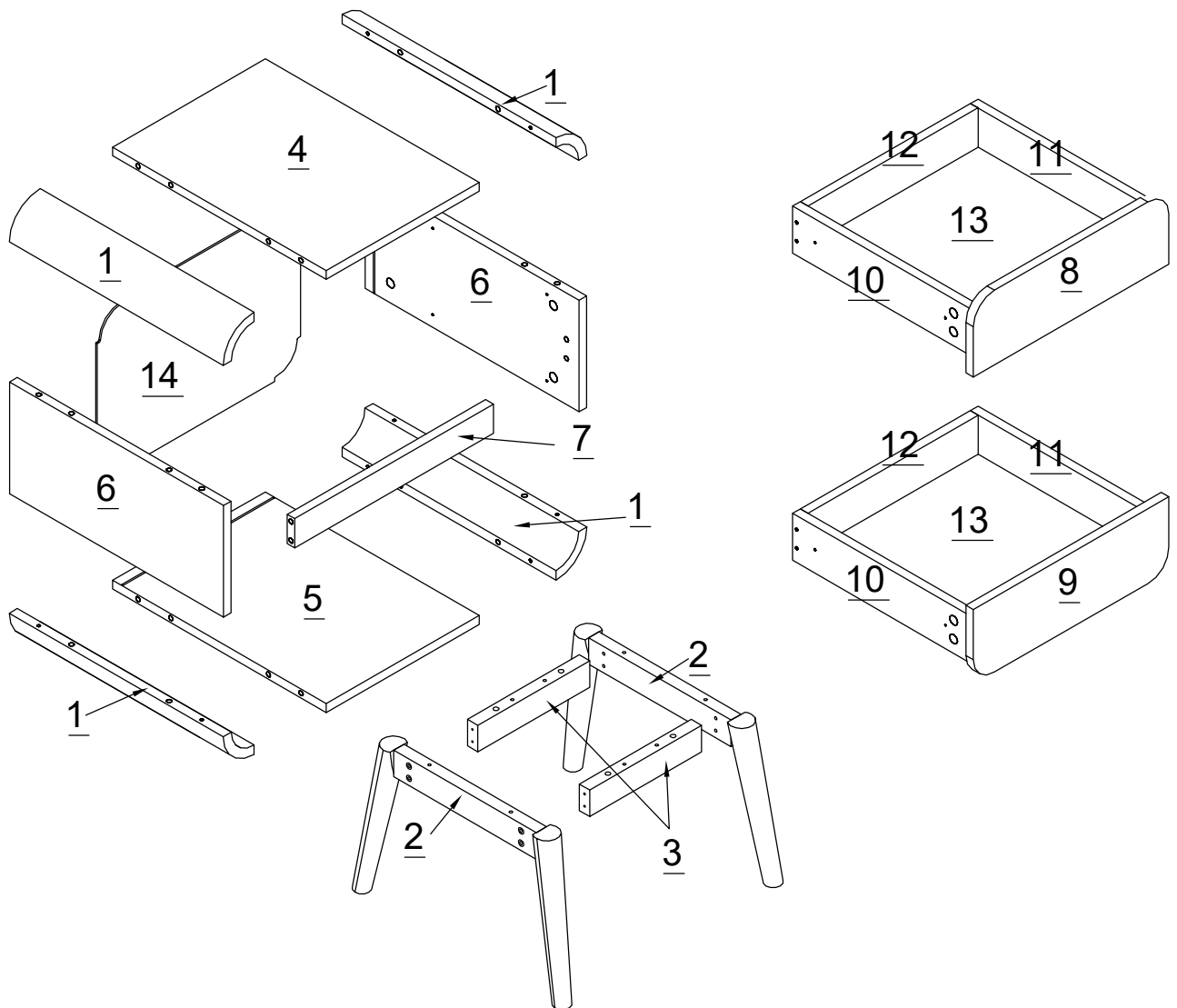
No.G
Quantity:4Pcs
Back Plate Clamp



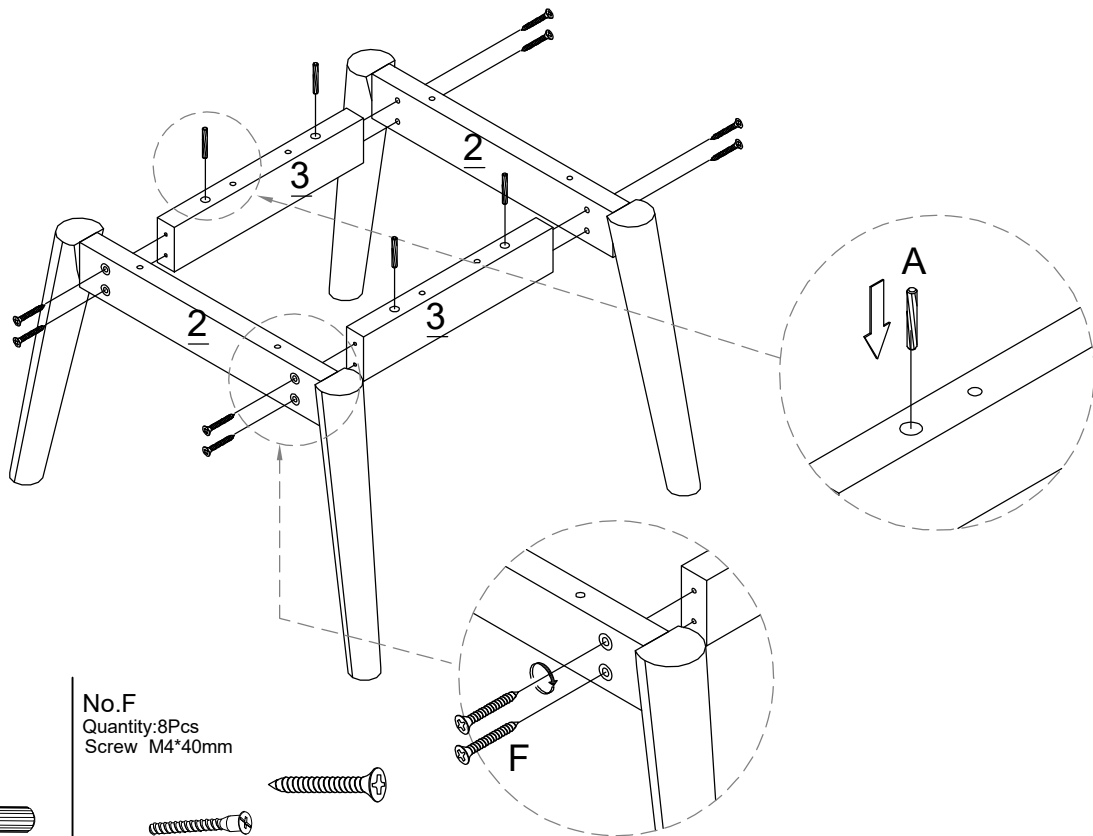
Components Panels & Part List

Please check you have all the panels are listed below.

- | | | | | | |
|-----------------|-------|----|-------------------|-------|----|
| 1. Arc Edge | _____ | x4 | 8. Drawer Front_1 | _____ | x1 |
| 2. Legs | _____ | x2 | 9. Drawer Front_2 | _____ | x1 |
| 3. Brace Panel | _____ | x2 | 10. Drawer Side_L | _____ | x2 |
| 4. Top Panel | _____ | x1 | 11. Drawer Side_R | _____ | x2 |
| 5. Bottom Panel | _____ | x1 | 12. Drawer Back | _____ | x2 |
| 6. Side Panel | _____ | x1 | 13. Drawer Base | _____ | x2 |
| 7. Front Panel | _____ | x1 | 14. Back Panel | _____ | x1 |



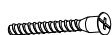
STEP1



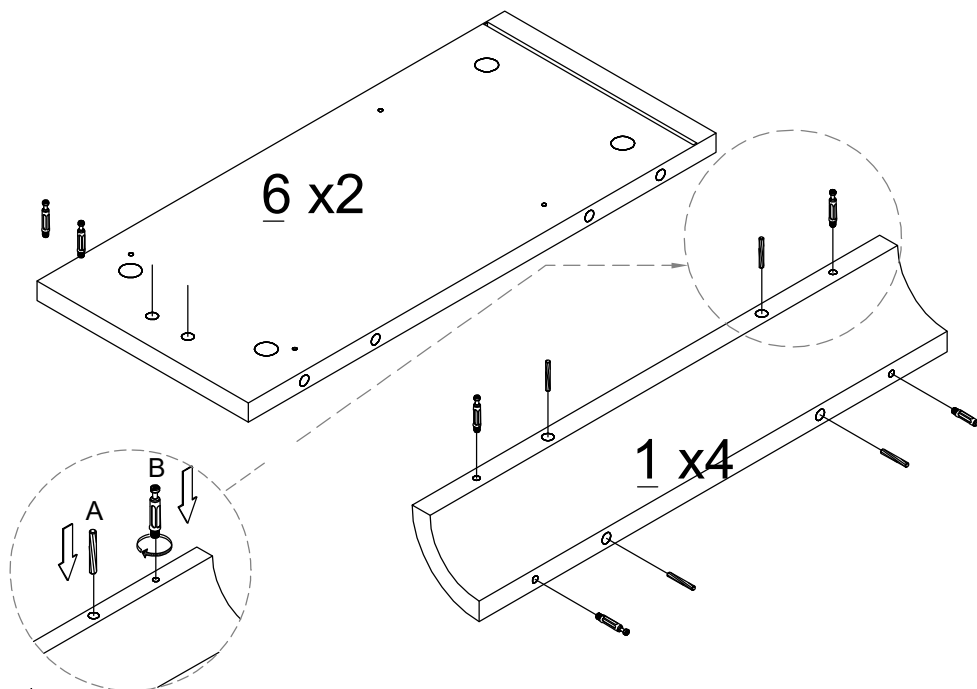
No.A
Quantity:4Pcs
Dowel



No.F
Quantity:8Pcs
Screw M4*40mm



STEP2



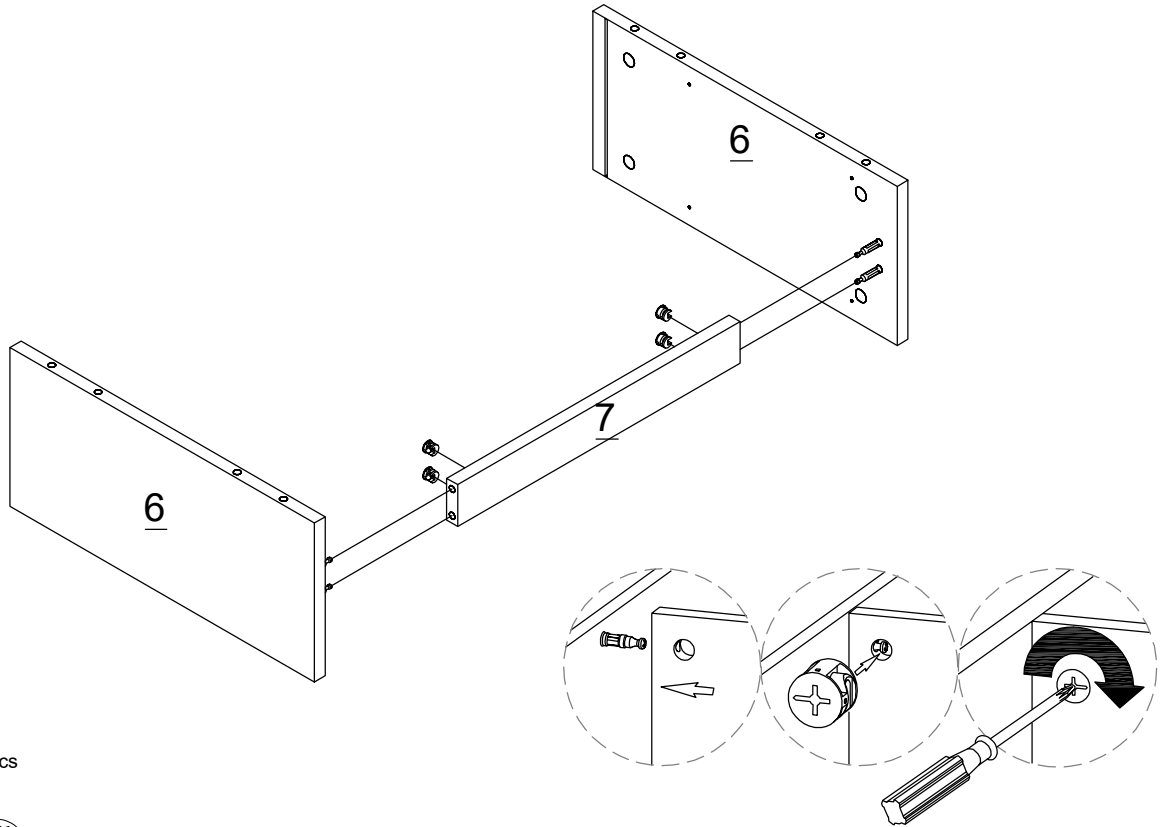
No.A
Quantity:16Pcs
Dowel



No.B
Quantity:20Pcs
Cam Bolt



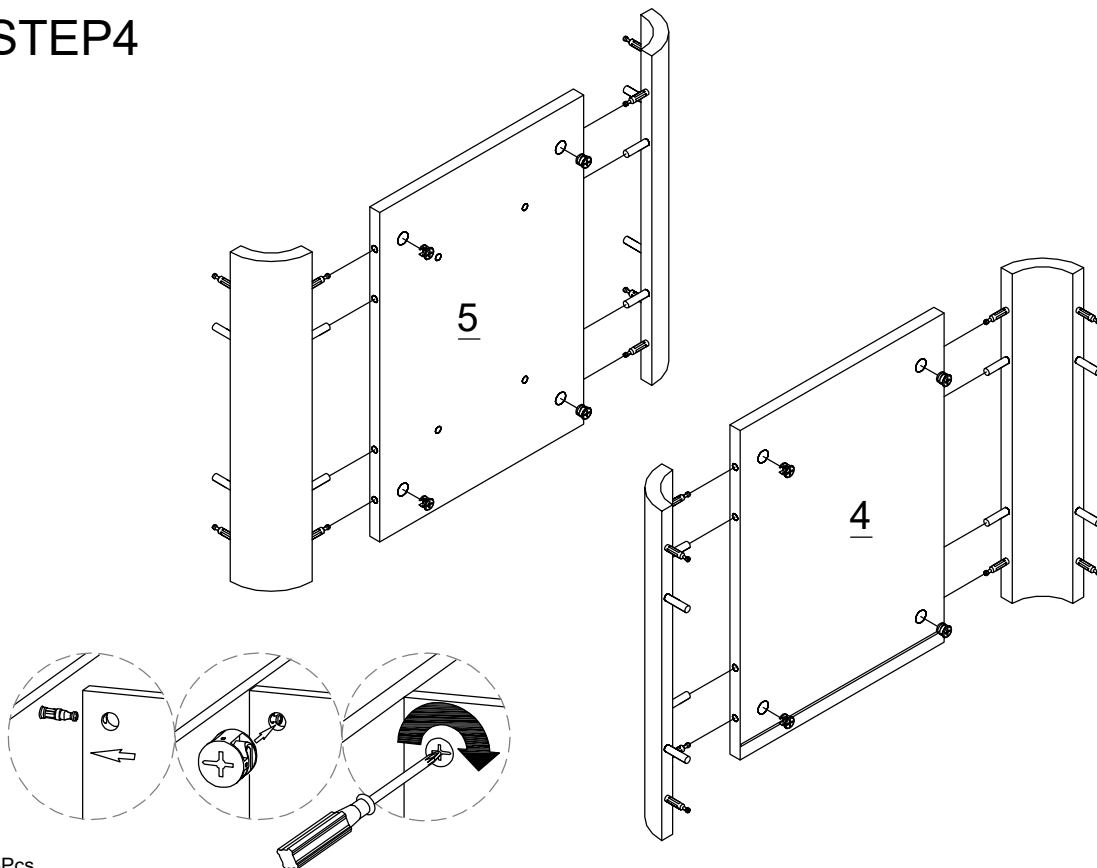
STEP3



No.B
Quantity:4Pcs
Cam Nut



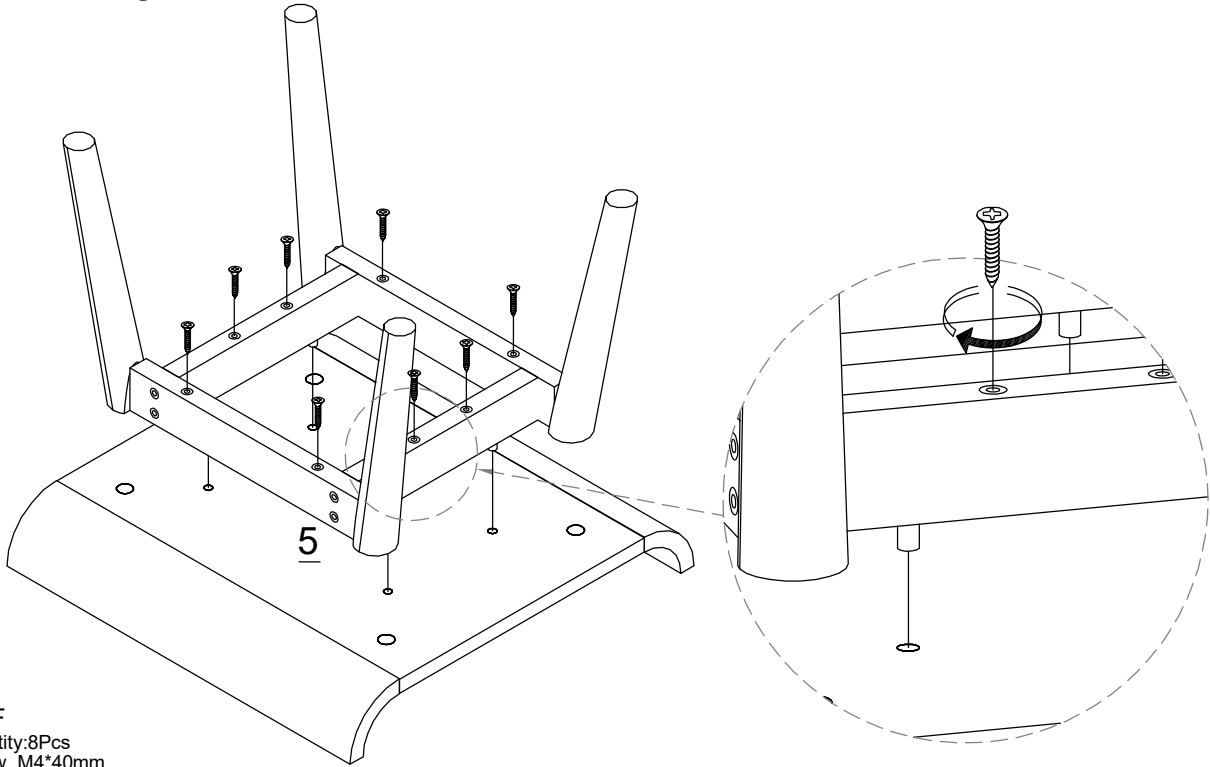
STEP4



No.B
Quantity:8Pcs
Cam Nut



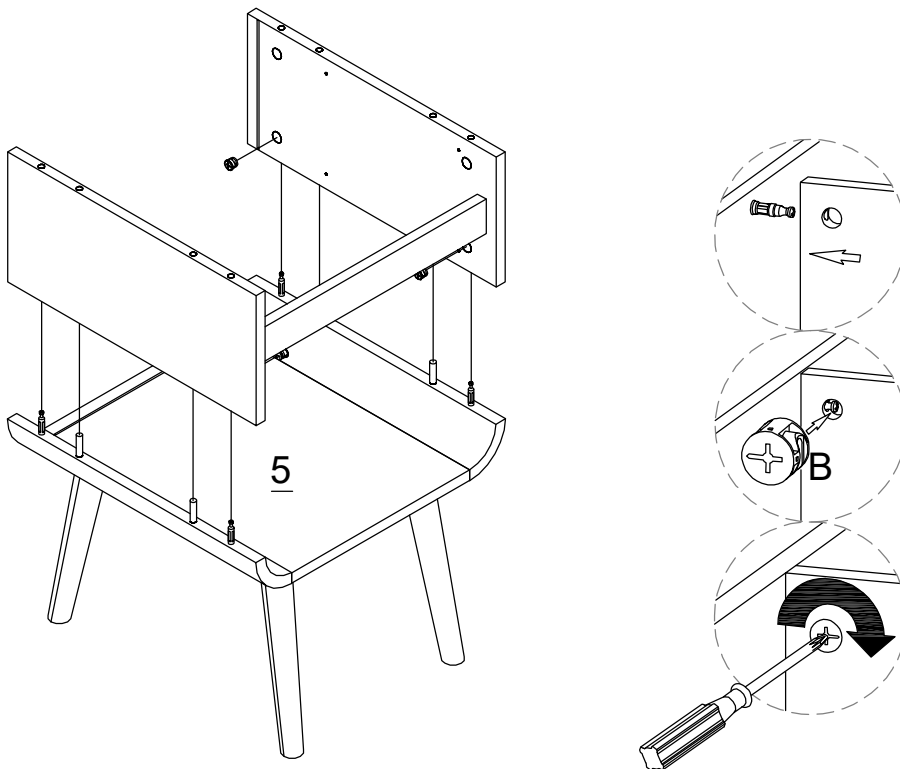
STEP5



No.F
Quantity:8Pcs
Screw M4*40mm



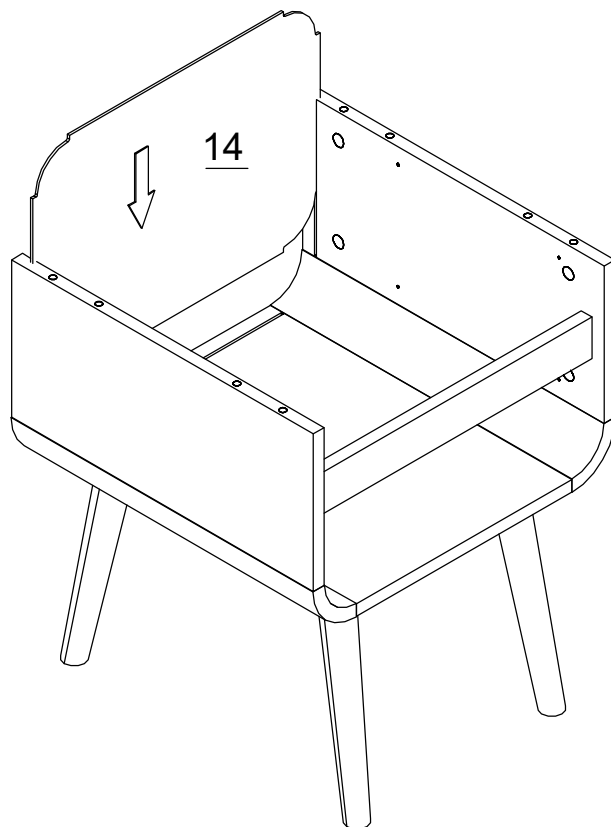
STEP6



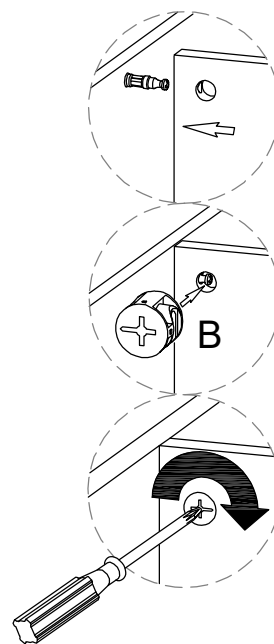
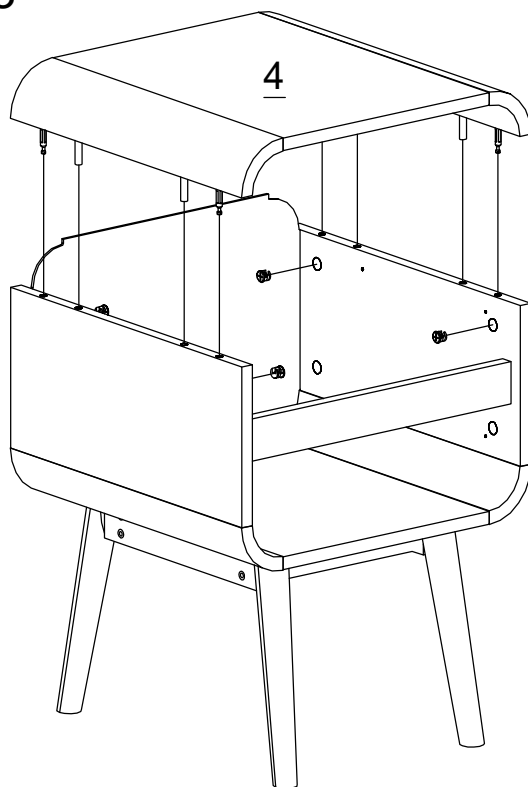
No.B
Quantity:4Pcs
Cam Nut



STEP7



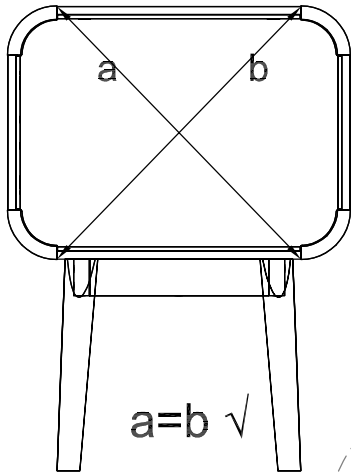
STEP8



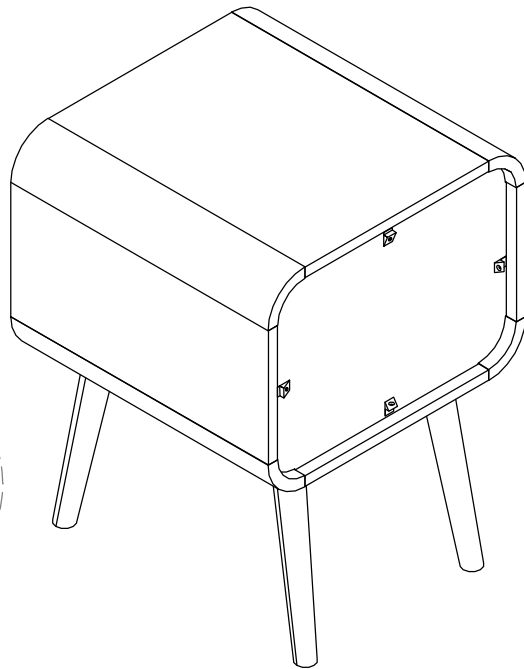
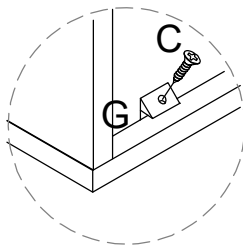
No.B
Quantity:4Pcs
Cam Nut



STEP9



$a=b \checkmark$



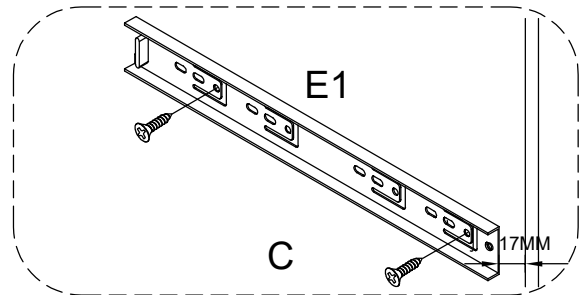
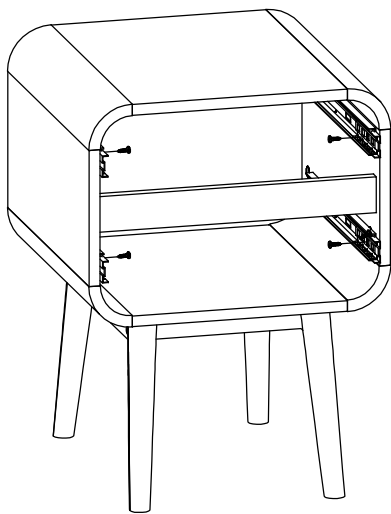
No.C
Quantity:4Pcs
Screw M3.5*14mm



No.G
Quantity:4Pcs
Back Plate Clamp



STEP10



Second Hole

Last Third Hole

Keep hardware E1 17mm away from the front edge of panel 6

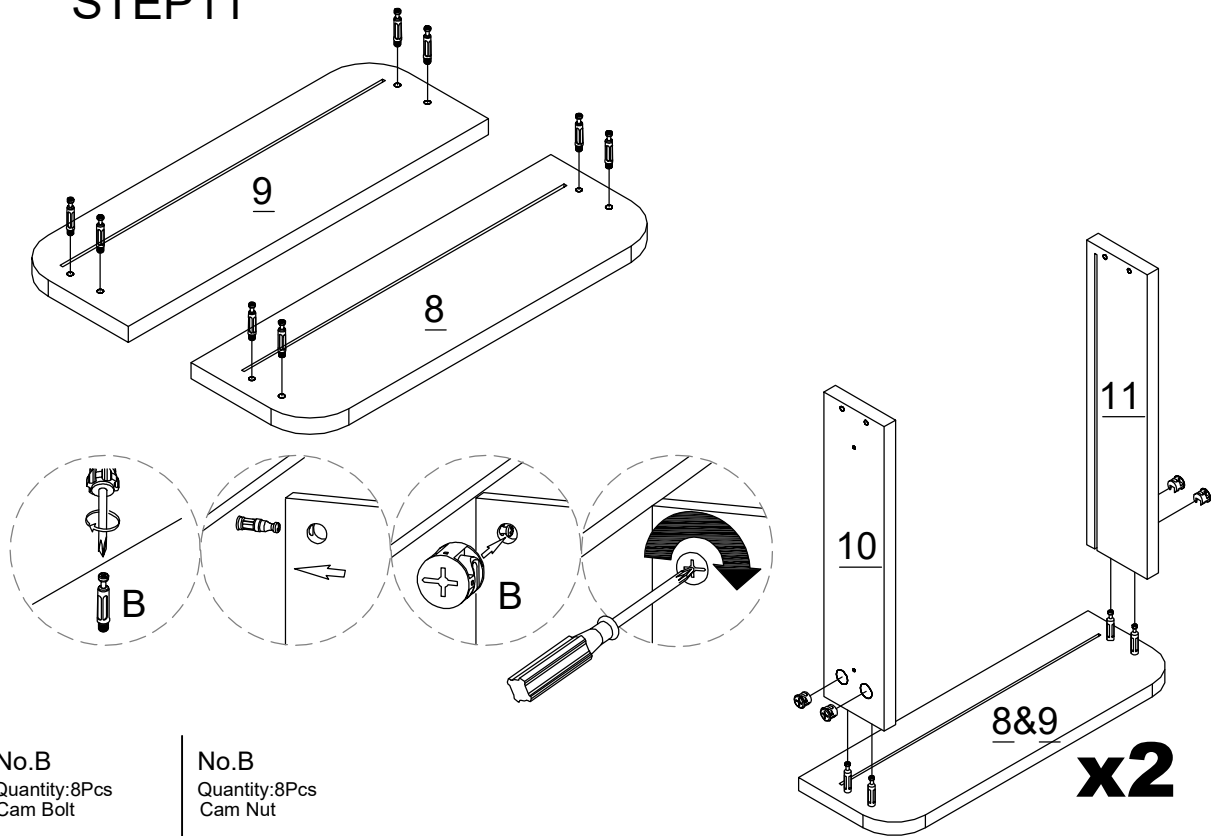
No.C
Quantity:8Pcs
Screw M3.5*14mm



No.E
Quantity:4Pcs
Drawer Runner



STEP11



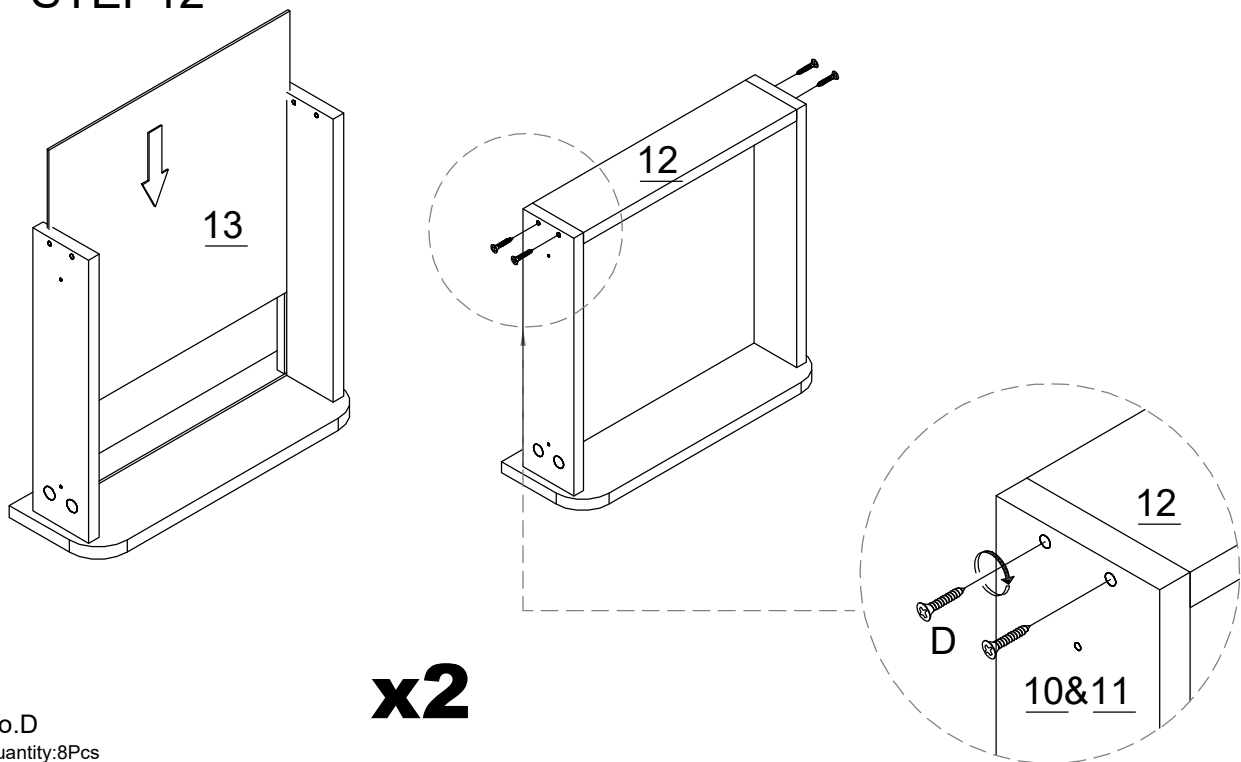
No.B
Quantity:8Pcs
Cam Bolt



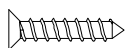
No.B
Quantity:8Pcs
Cam Nut



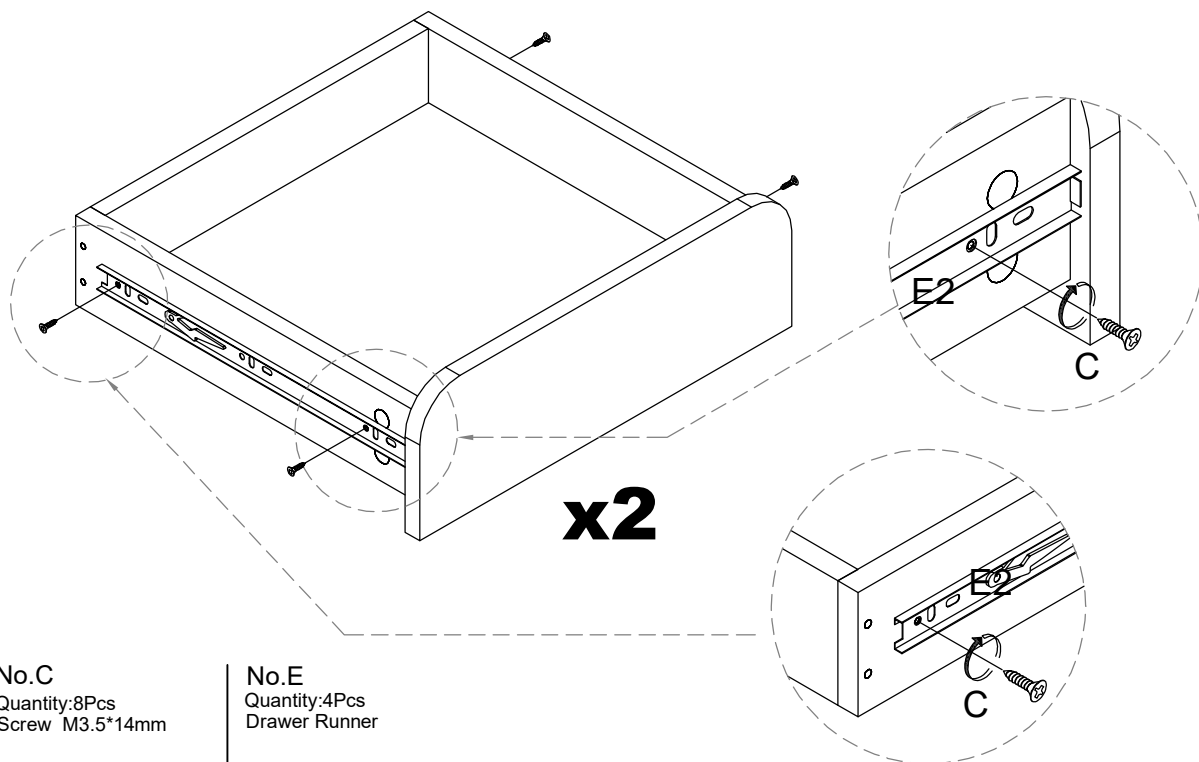
STEP12



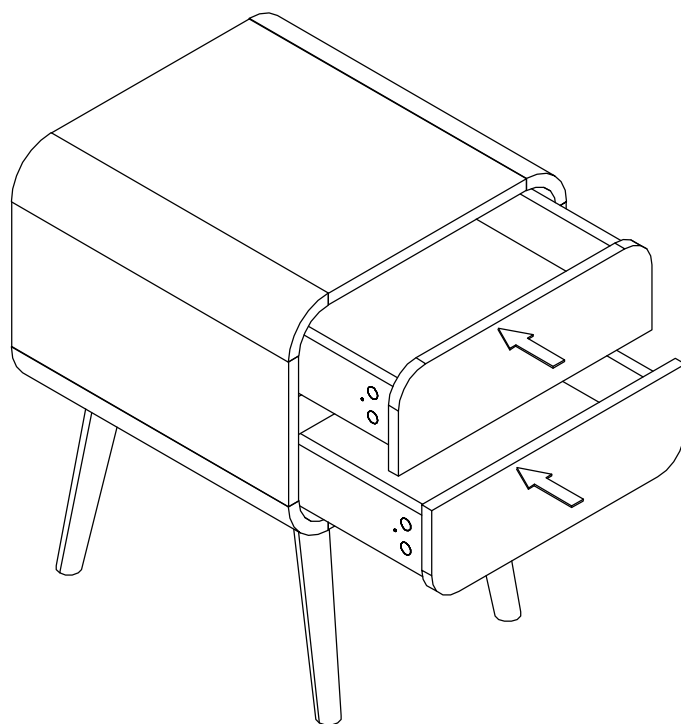
No.D
Quantity:8Pcs
Screw M3.5*35mm



STEP13



STEP14



lifely.com.au

Great Job, You're done!

Don't forget to share how it looks in
your space and tag us on Instagram.

[@lifelyhome](#) [#homewithlifely!](#)