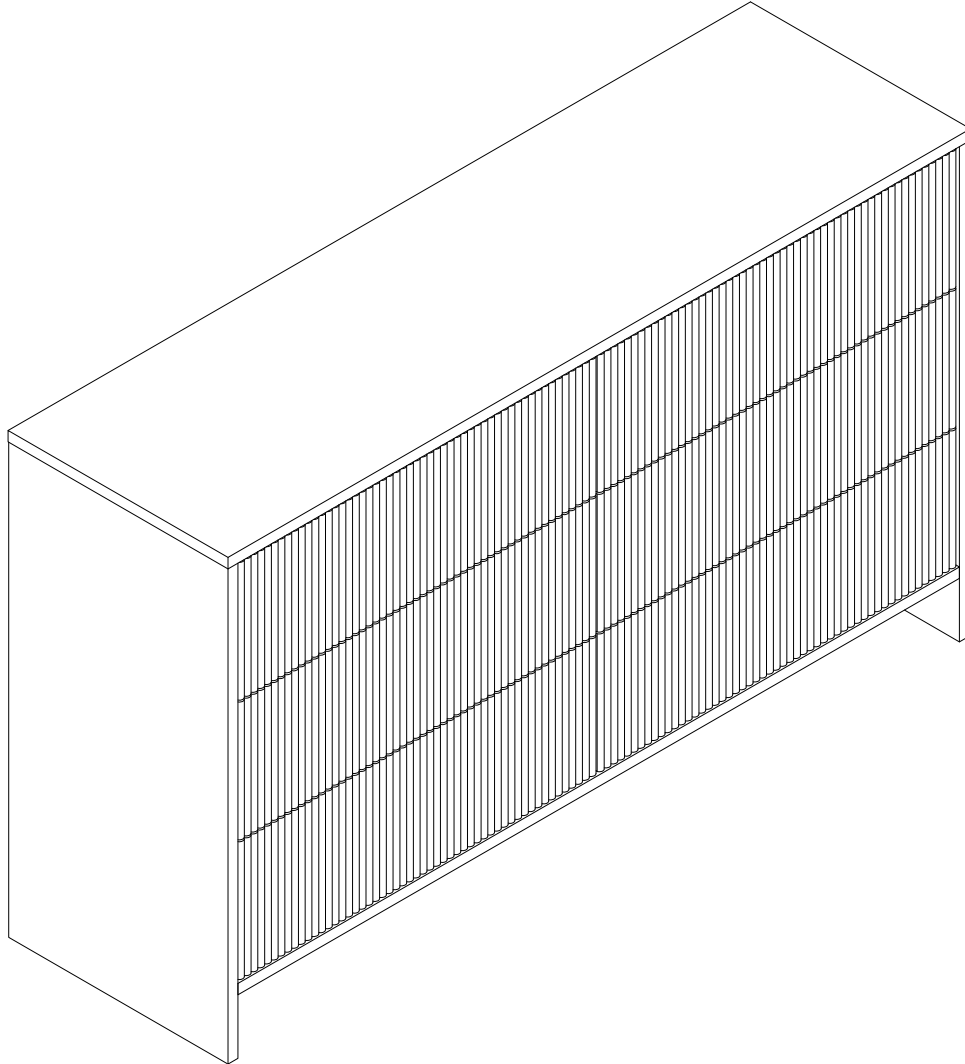


Assembly Instructions

Miles Series



Lifely*

Product Code

MILS-6COD-OAK Miles Sideboard

Dimensions (W x D x H)

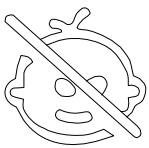
1350*400*799mm

Important

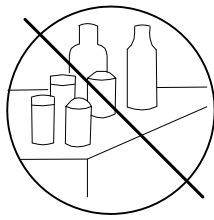
Please read through instruction carefully
Before assembly and keep for future reference.

For our full catalogue of assembly instructions,
Visit: lifely.com.au/assembly.

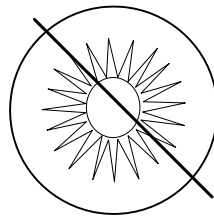
Important Tips and Maintenance Hardware are in box 1



1. Keep children and animals away from working area as smaller parts may cause choking if swallowed.



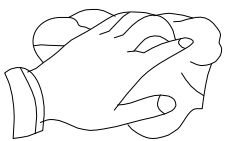
2. Never place liquids or anything damp upon furniture as it will mark. Ensure a coaster or running is beneath.



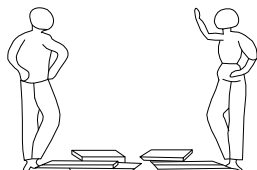
3. Never use ammonia based cleaning products as it will damage the finish.



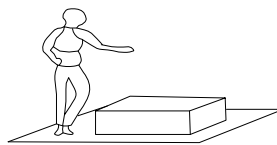
4. To avoid fading, keep furniture out of direct sunlight.



5. Use a soft or damp cloth(dry cloth)when wiping or cleaning surfaces.



6. Two person are required.



7. Lay a soft matt down to protect the furniture piece before and during assembly.

So your relationship is strong. But is it flat-pack furniture strong? Unless you're an aerospace engineer, assembling furniture can be slightly stressful. We recommend meditating quietly, pouring yourself a herbal tea (or slightly less herbal wine) and tackling things one step at a time. If you feel a passive aggressive remark coming on, try a compliment instead. E.g. "You're so good looking."

This 13-step assembly should take around 60 minutes with an Allen key - or 46 minutes with an electric drill.

Designed for everyday

Component Hardware

Please check you have all the fittings part or tools are listed in below.

No. A
Quantity:72 Pcs
Cam
 ϕ 15*12mm



No. B
Quantity:72 Pcs
Cam Lock Dowel
 ϕ 7*25



No. C
Quantity:4 Pcs
Angle plastic
 ϕ 3*18mm



No. D
Quantity:74 Pcs
Screw
 ϕ 3.5*14mm



No. E
Quantity:36 Pcs
Screw
 ϕ 4*35mm



No. F
Quantity:14 Pcs
Wood Dowel
 ϕ 8*30mm



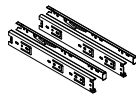
No. G
Quantity:5 Pcs
EVA Pad
 ϕ 15mm



No. H
Quantity:58 Pcs
Cover
 ϕ 21mm



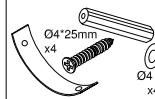
No. I
Quantity:6 Set
Slider
300mm



No. J
Quantity:1 Pcs
Screw
M8*25mm



No. K
 ϕ 4*25mm
x4
 ϕ 4
x4
L=200mm



No. L
Quantity:1 Pc
Key
5mm



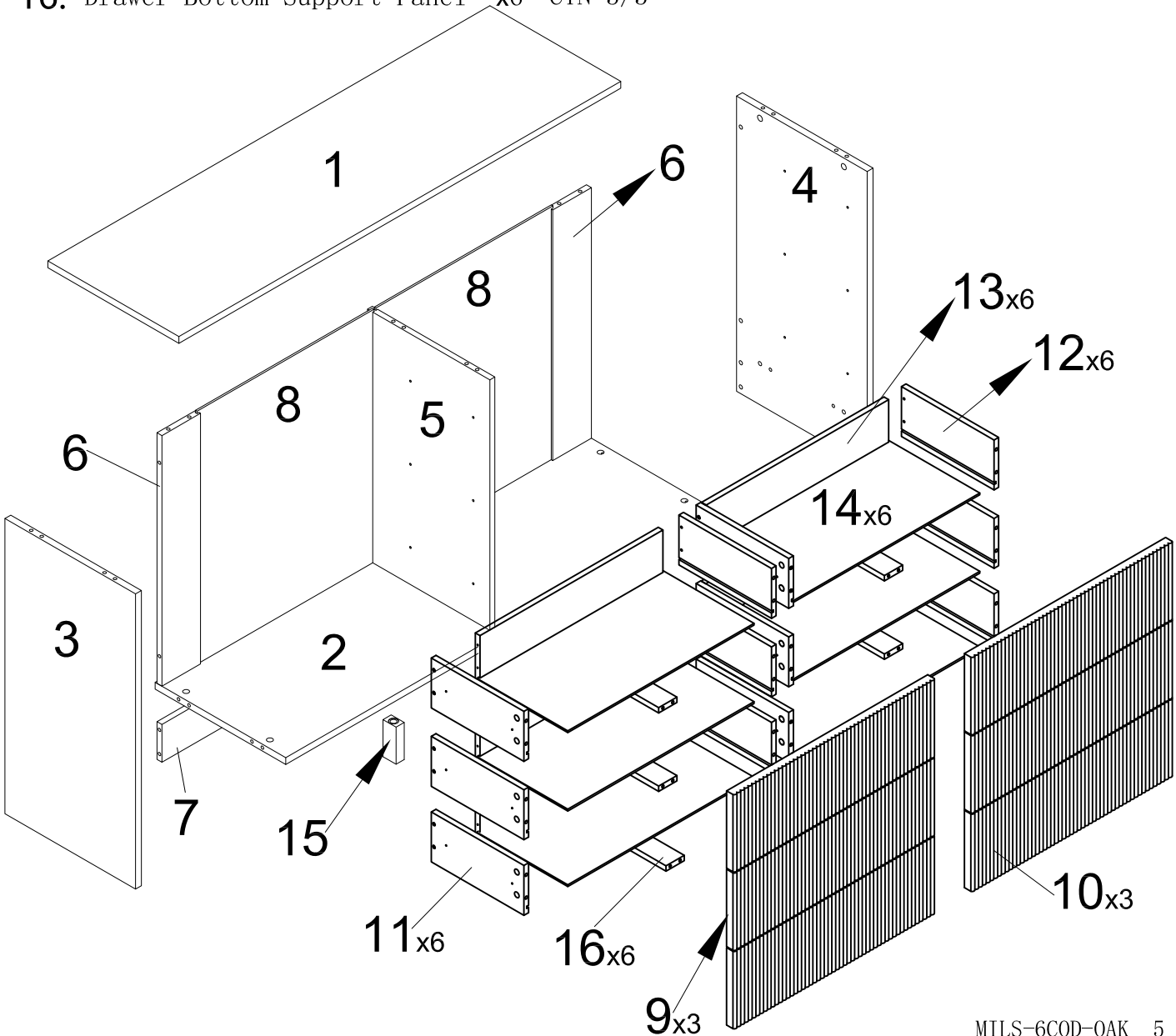
No. M
Quantity:1 Pc
Key
5mm



Component Panels & part List

Please check you have all the panels are listed below.

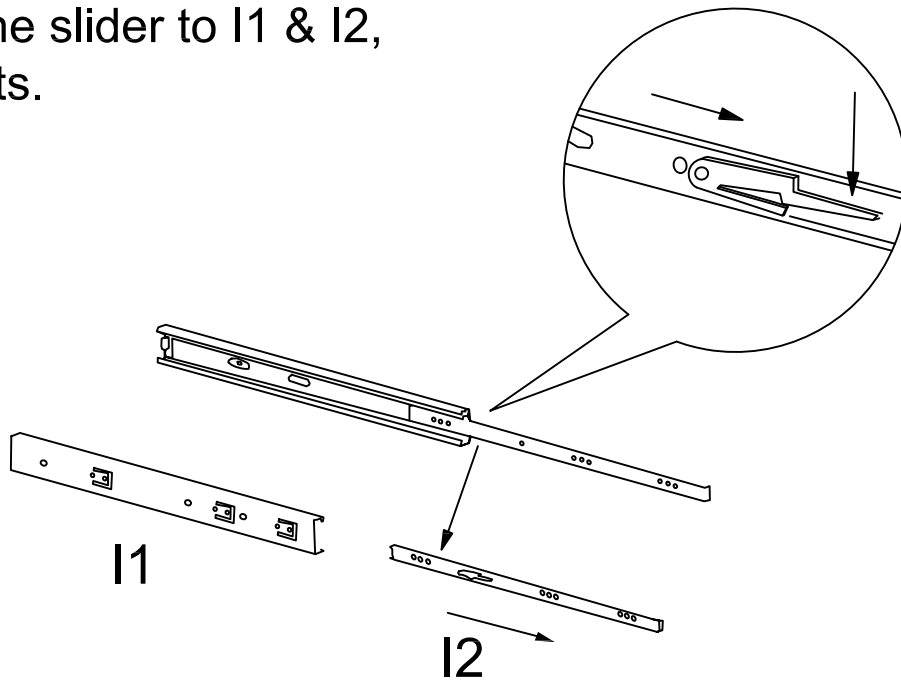
- 1. Top Panel- - - - - -x1 CTN 3/3
- 2. Bottom Panel- - - - - -x1 CTN 3/3
- 3. Side Panel-Left- - - - -x1 CTN 3/3
- 4. Side Panel-Right- - - - -x1 CTN 3/3
- 5. Division Panel- - - - -x1 CTN 1/3
- 6. Back Support Panel- - - -x2 CTN 2/3
- 7. Back Foot- - - - - -x1 CTN 3/3
- 8. Back Panel- - - - - -x2 CTN 1/3
- 9. Drawer Front Panel-Left- x3 CTN 2/3
- 10. Drawer Front Panel-Right-x3 CTN 2/3
- 11. Drawer Side Panel-Left- -x6 CTN 1/3
- 12. Drawer Side Panel-Right- x6 CTN 1/3
- 13. Drawer Back Panel- - - - -x6 CTN 1/3
- 14. Drawer Bottom Panel- - - - -x6 CTN 3/3
- 15. Middle Leg- - - - - -x1 CTN 3/3
- 16. Drawer Bottom Support Panel- x6 CTN 3/3



STEP 1

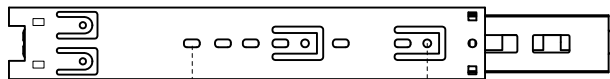
Drawer sliders Knock-down Instruction

- Press the slider to I1 & I2, two parts.



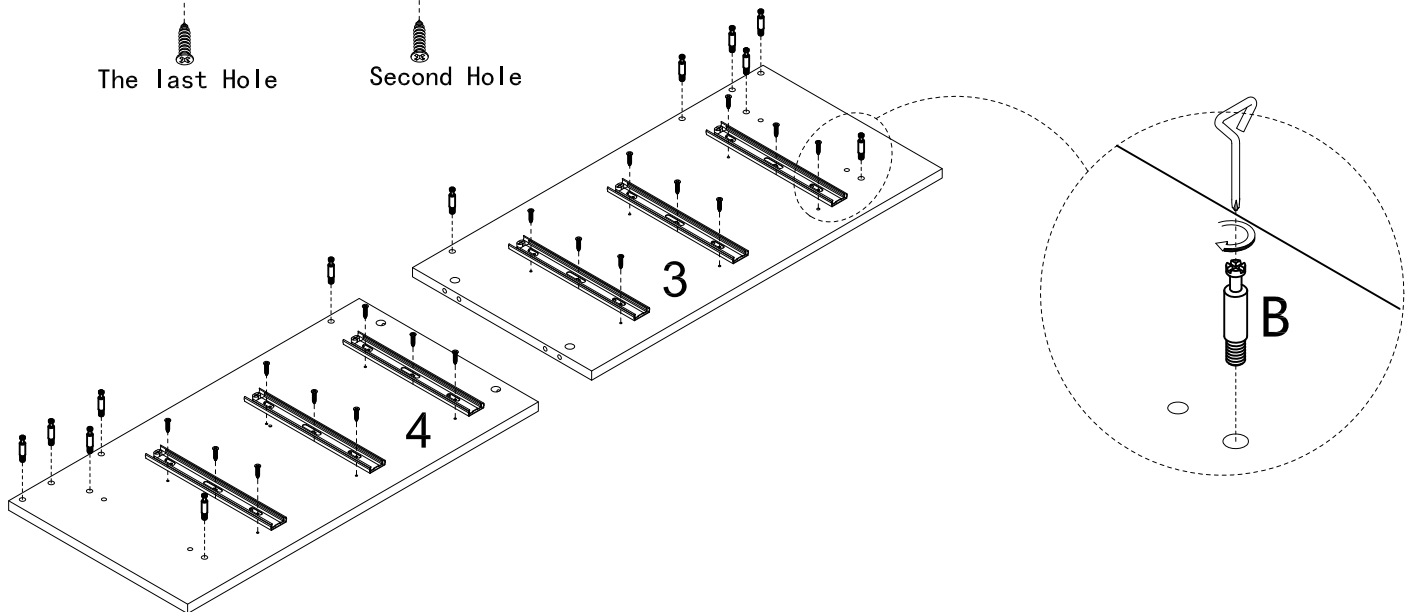
STEP 2

NOTE: Please through the hole in the center.



The last Hole

Second Hole



No. B

Quantity:12 Pcs



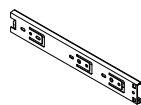
No. D

Quantity:18 Pcs

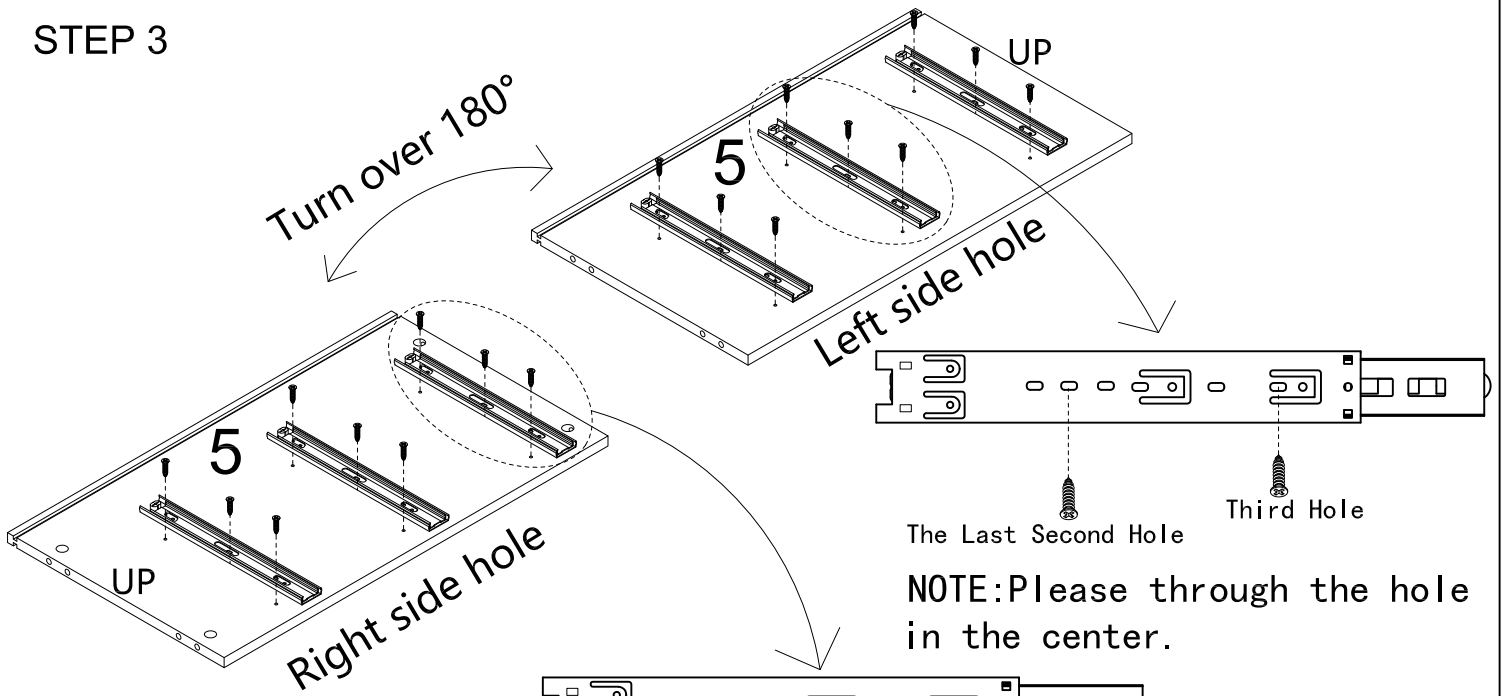


No. I

Scrw:6 PCS



STEP 3



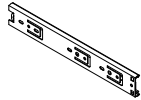
No. D

Quantity: 18 Pcs



No. I

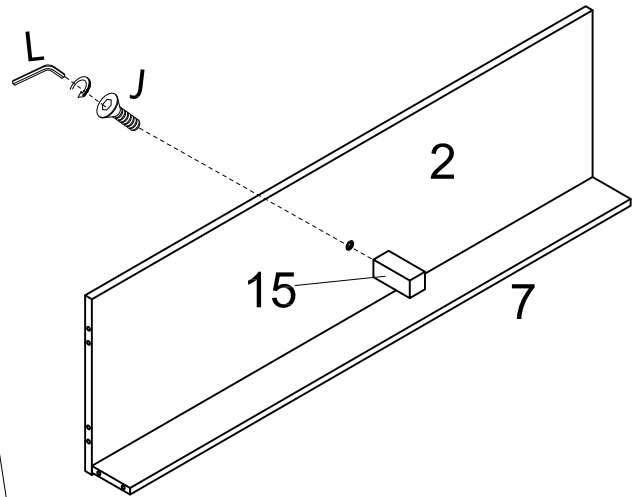
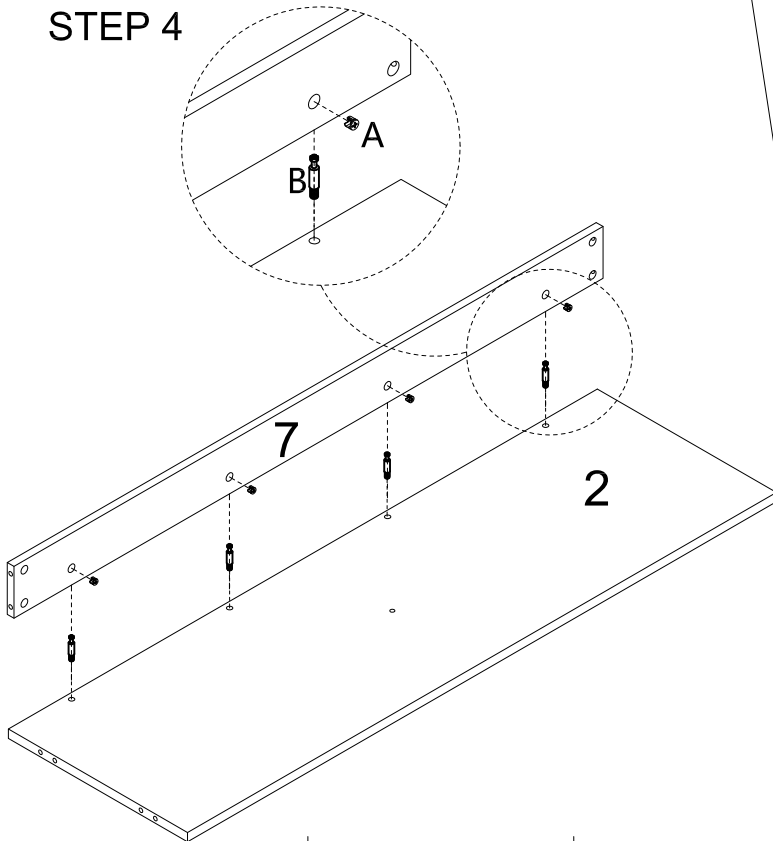
Scrw: 6 PCS



The last Hole

Second Hole

STEP 4



No. A

Quantity: 4 Pcs



No. B

Quantity: 10 Pcs



No. J

Quantity: 1 Pcs



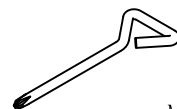
No. L

Quantity: 1 Pc

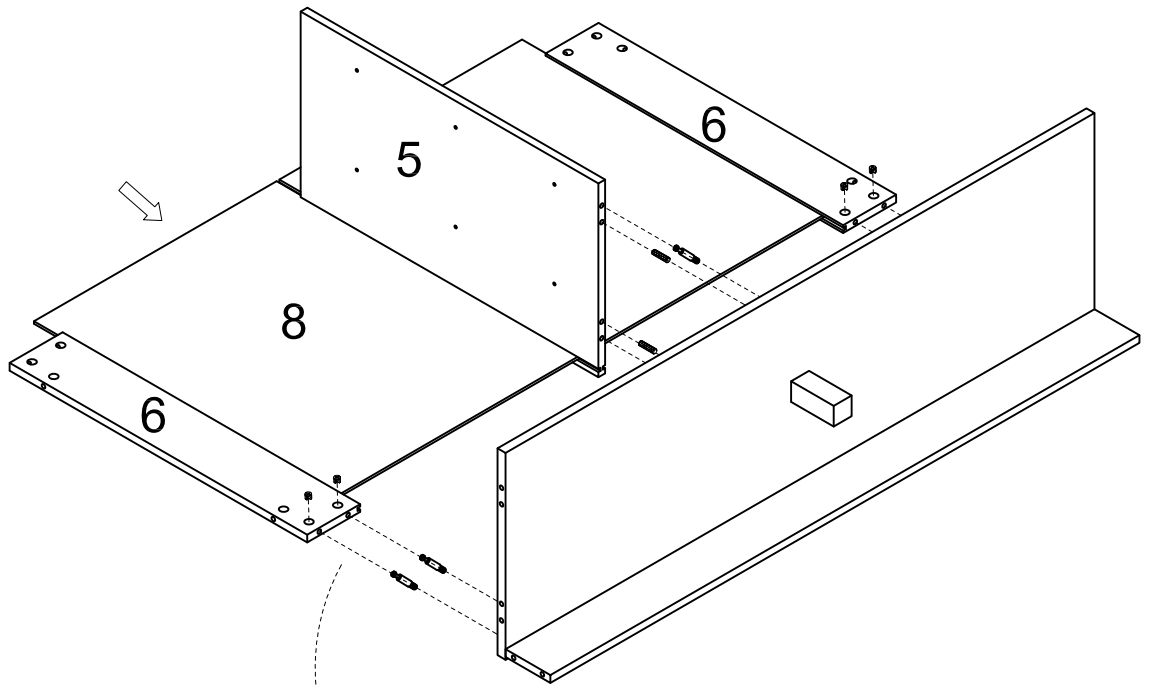


No. M

Quantity: 1 Pc



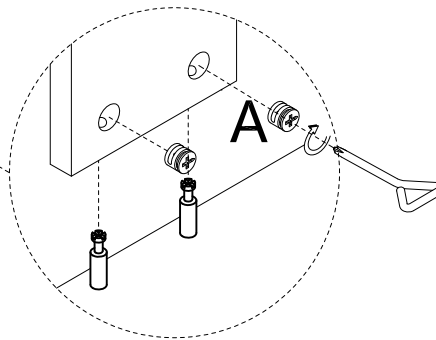
STEP 5



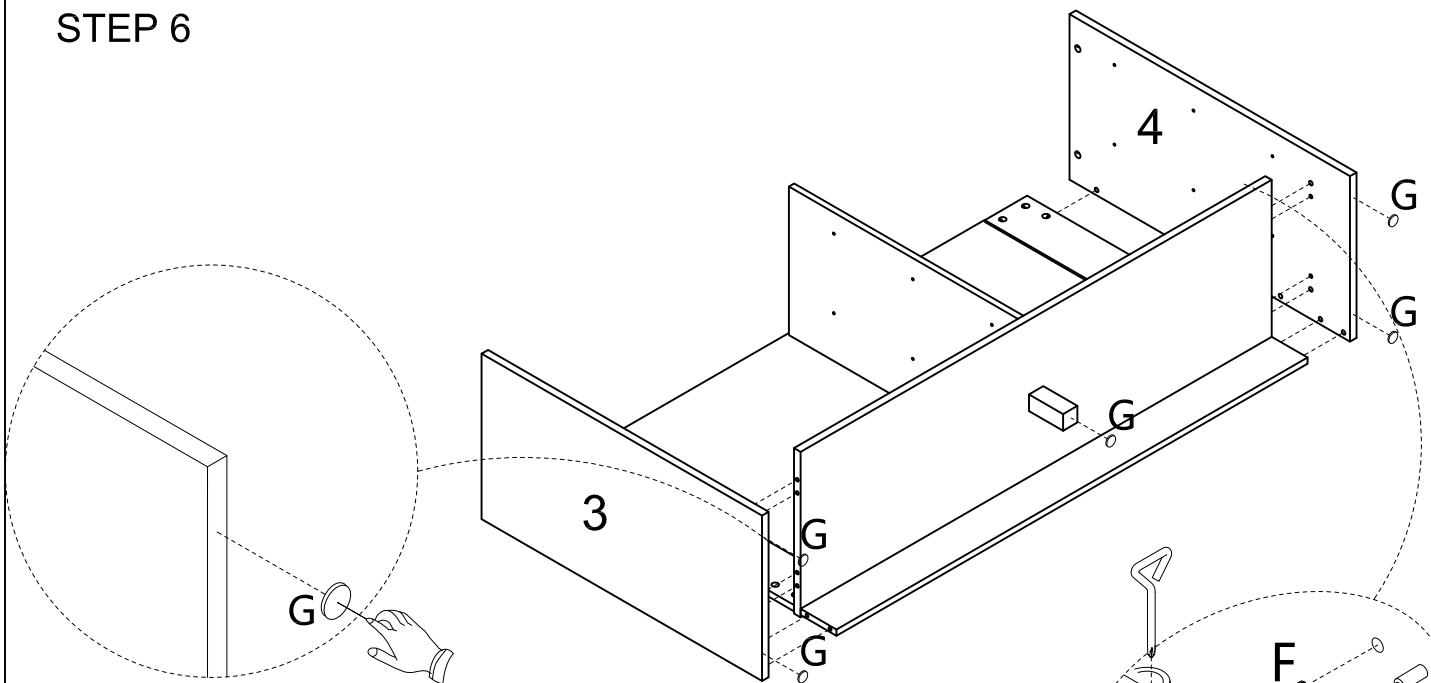
No. A
Quantity: 6 Pcs



No. F
Quantity: 2 Pcs



STEP 6



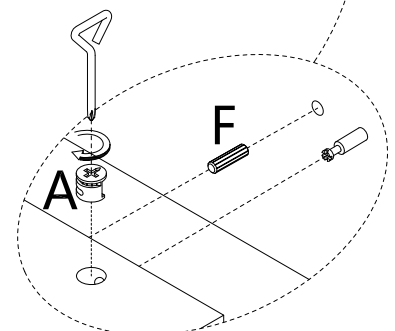
No. A
Quantity: 8 Pcs



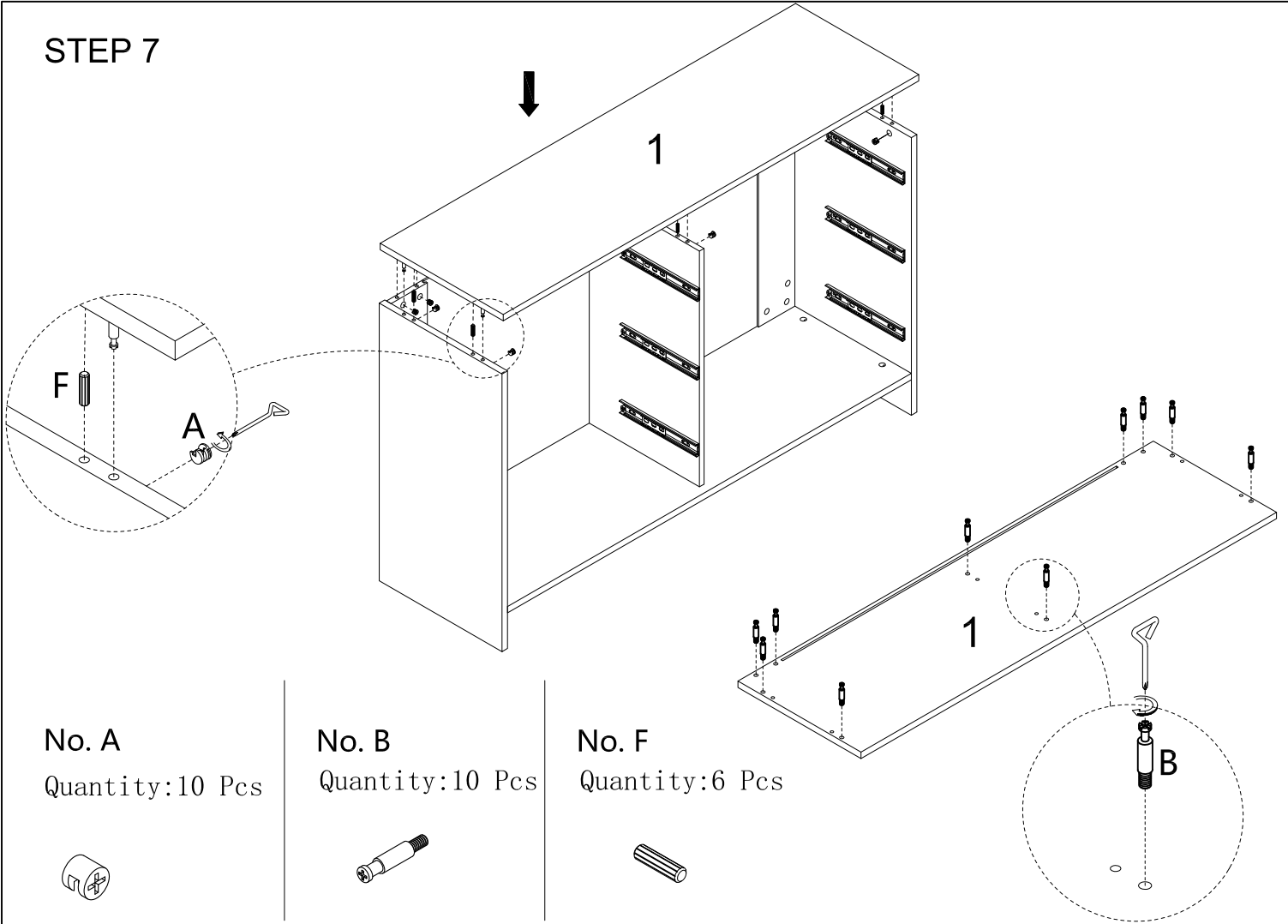
No. F
Quantity: 4 Pcs



No. G
Quantity: 5 Pcs



STEP 7



No. A
Quantity:10 Pcs



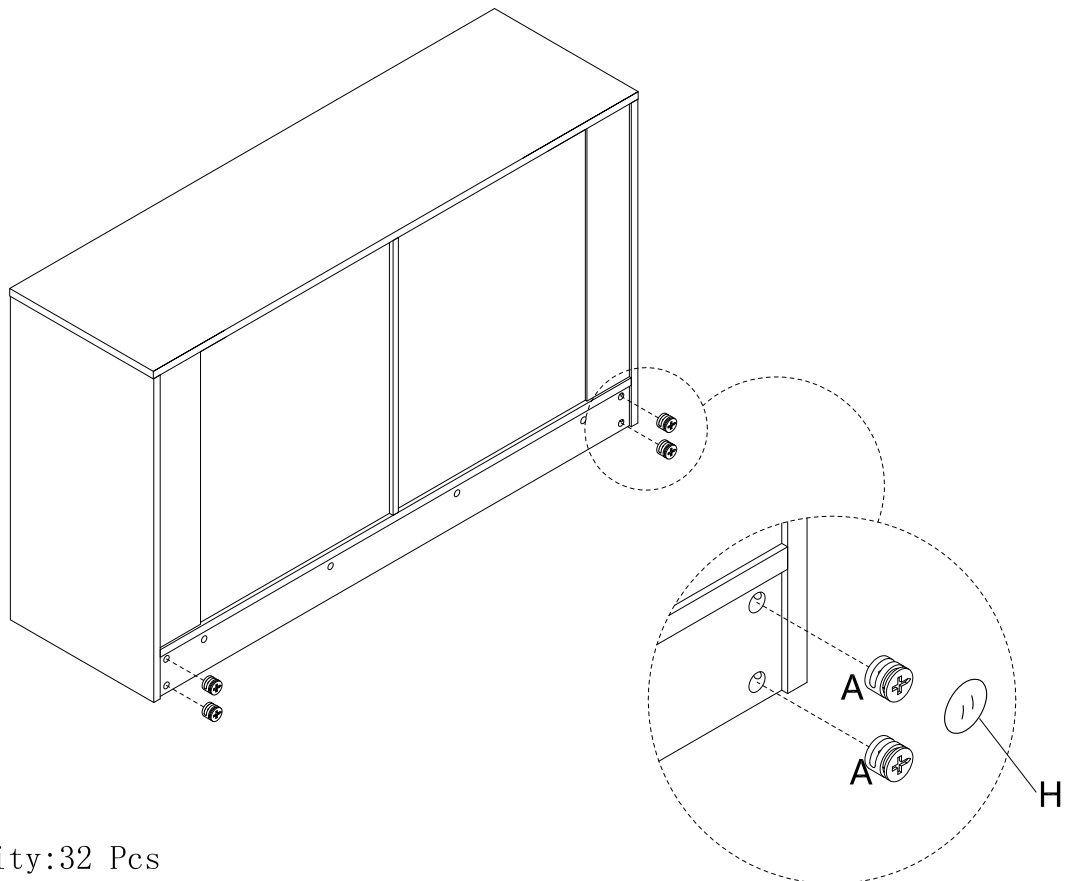
No. B
Quantity:10 Pcs



No. F
Quantity:6 Pcs



STEP 8



No. A
Quantity:4 Pcs

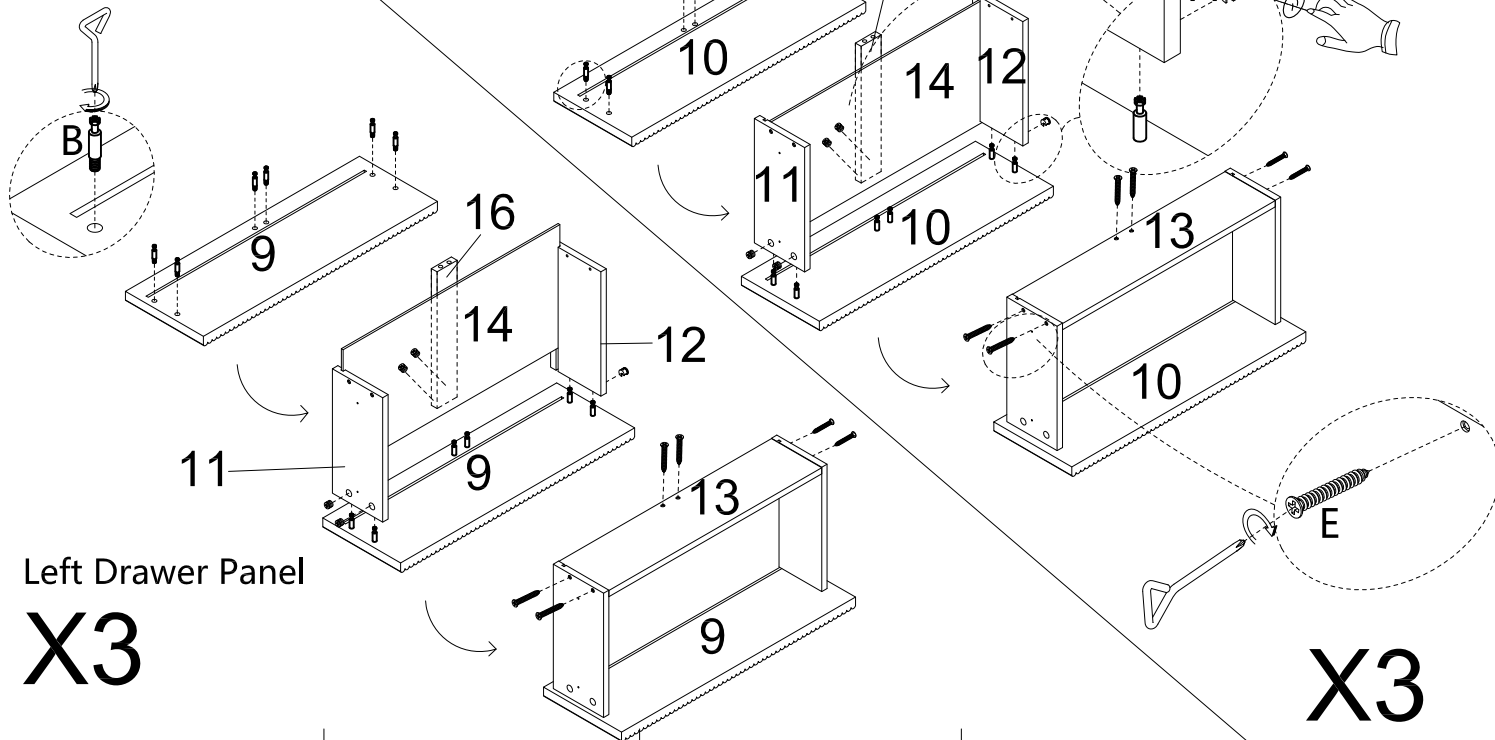


No. H
Quantity:32 Pcs



STEP 9

Right Drawer Panel



Left Drawer Panel

X3

X3

No. A

Quantity:36 Pcs



No. B

Quantity:36 Pcs



No. E

Quantity:36 Pcs

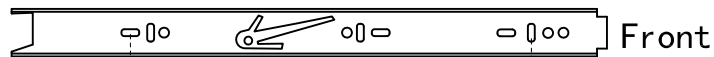


No. H

Quantity:24 Pcs



STEP 10



The Last Hole

Third Hole

NOTE: Please through the hole in the center.

X3

9

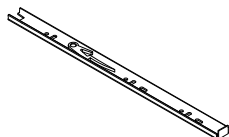
No. D

Quantity:36 Pcs



No. I

Scrw:12 PCS

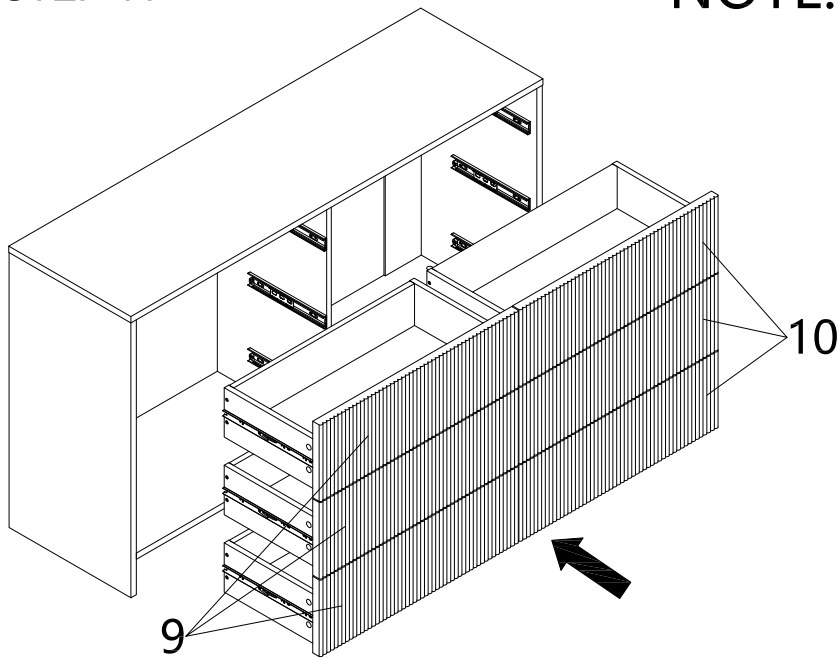


10

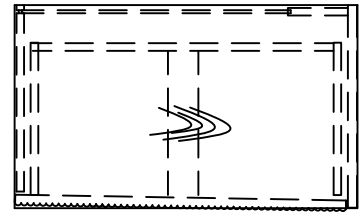
X3

STEP 11

NOTE: 1, It might not be perfect aligned if push the edge of the drawers, when you find one of the corner of drawer panel not level please push one more time.

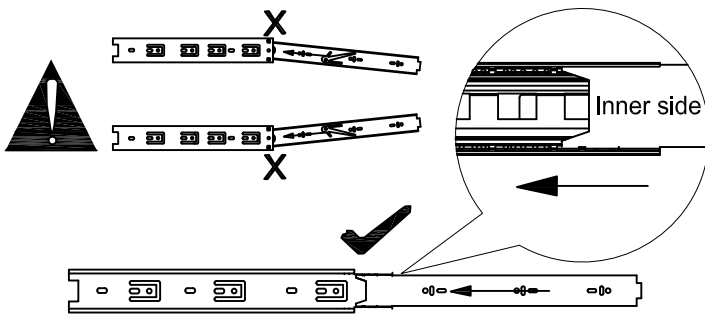


For example:

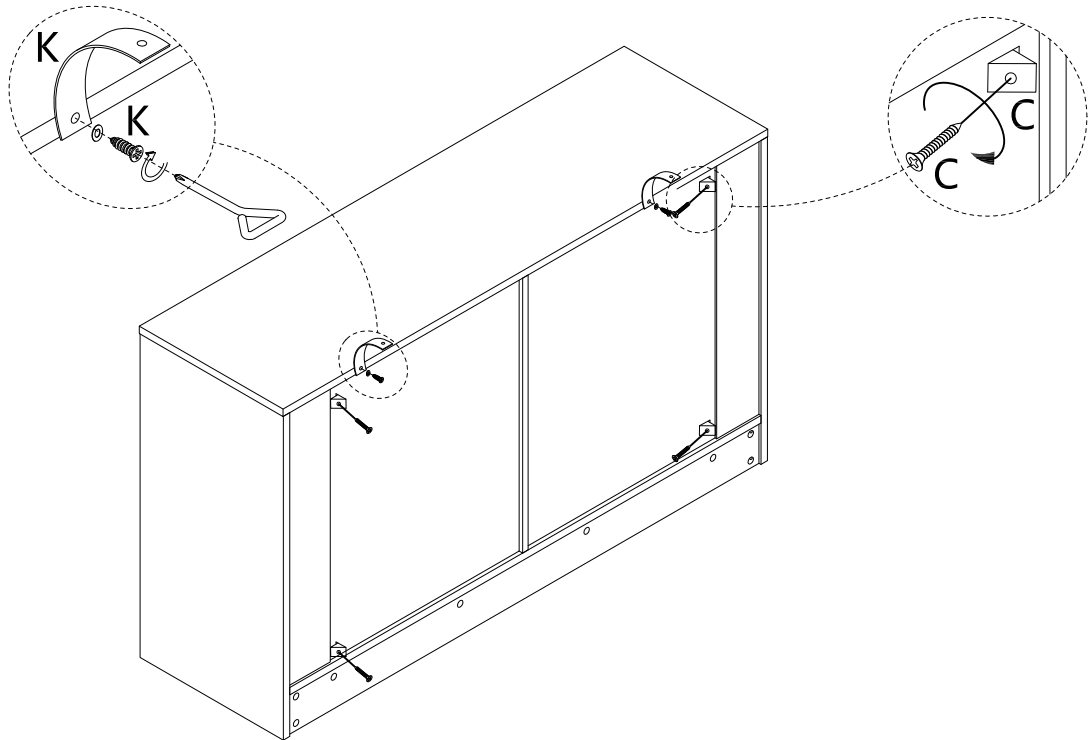


Push here will back normal.

2, Please push the middle area of the drawers to open or close the drawers.

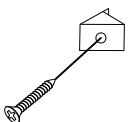


STEP 12

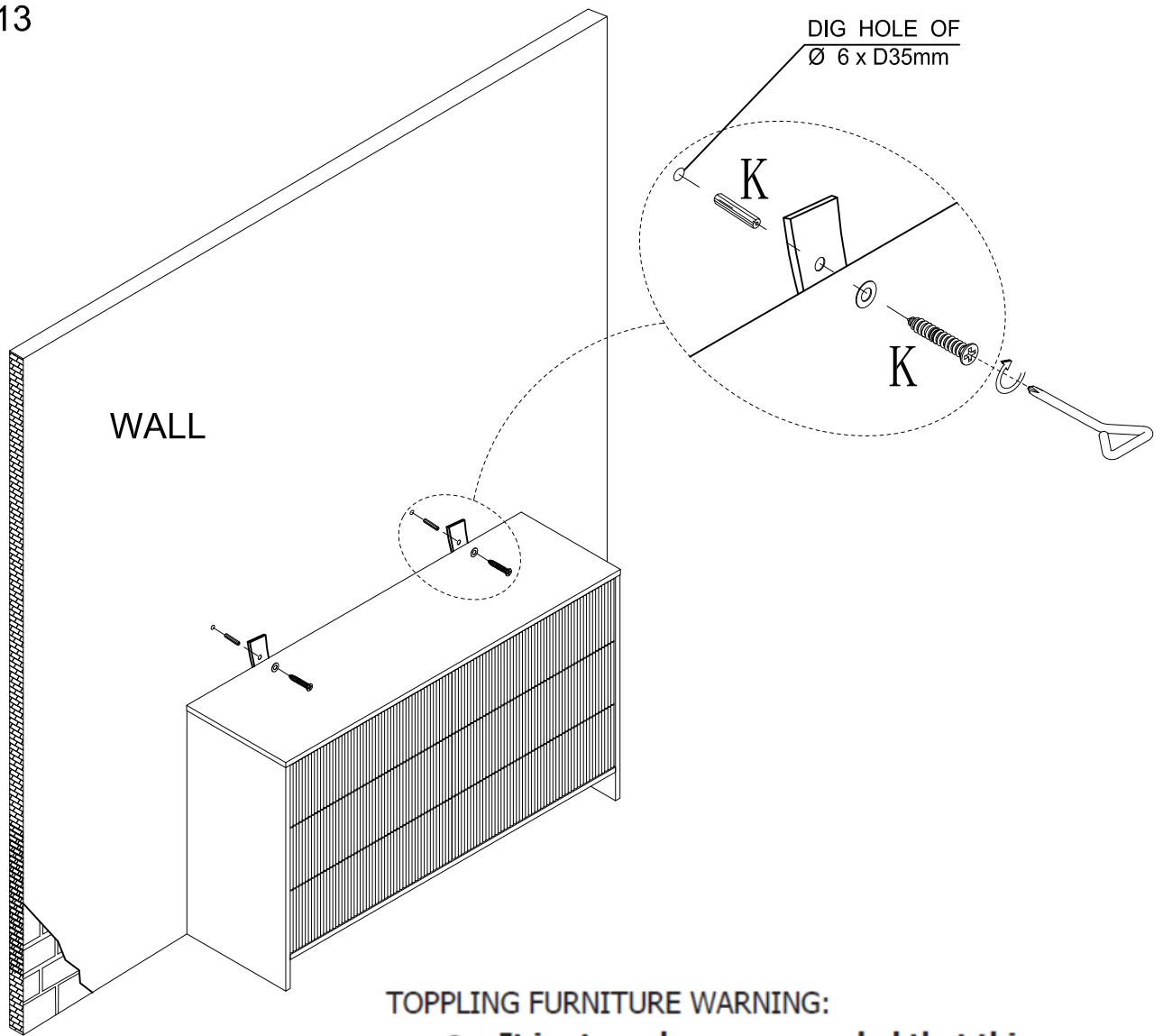


No. C
Quantity: 4 Pcs

No. K
Quantity: 2 Pcs



STEP 13



TOPPLING FURNITURE WARNING:

- **It is strongly recommended that this product is permanently fixed to the wall.**
- **Please seek professional advice if you are in doubt of what fixing device to use.**
- **Regularly check that anchors are securely maintained.**
- **Stability of tall items may be affected by thick pile carpet or uneven floors .**
- **Do not place unanchored televisions on furniture .**

CAUTION: for your safety when attaching the anchor fixings, please note the following:

- **Check any electrical wires or plumbing inside the wall before drilling any holes (if you are unsure please seek professional advice from a qualified tradesperson).**

No. K

Quantity:2 Pcs



WARNING: PLEASE SECURE YOUR FURNITURE WITH THE SUPPLIED WALL FIXING. SCAN THE CODE FOR MORE INFORMATION.



lifely.com.au

Great job. You're done!

Don't forget to share how it looks in
your space and tag us on Instagram.

@lifelyhome #homewithlifely!