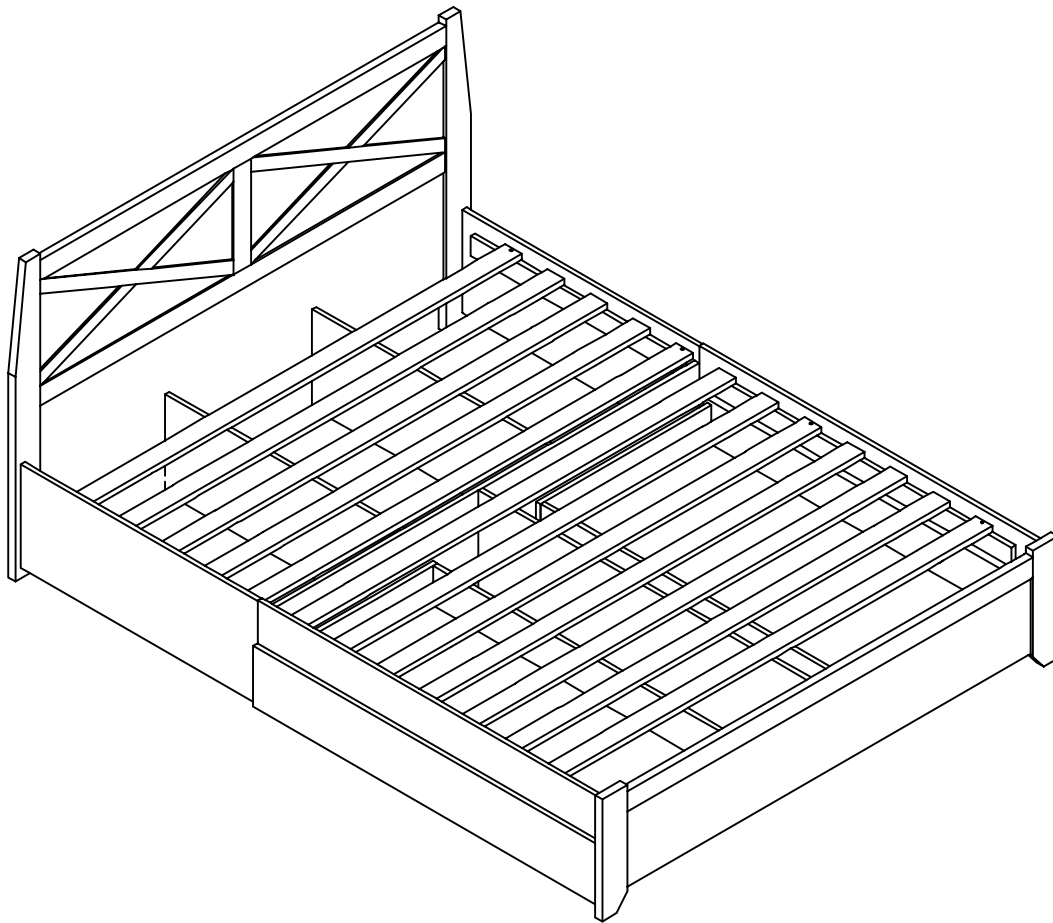


# Assemble Instructions

## Mia Series



# Lifely\*

Product Code  
MIA DQB1500-NT  
Queen Size Bed With Storage  
Dimensions(W x D x H)  
2080\*1600\*950mm

---

### Important

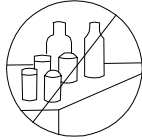
Please read through instructions carefully  
Before assembly and keep for future reference.

For our full catalogue of assembly instructions,  
Visit:[lifely.com.au/assembly](http://lifely.com.au/assembly).

## Important Tips and Maintenance



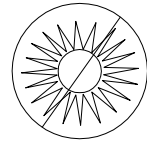
1. Keep children and animals away from working area as smaller parts may cause choking if swallowed



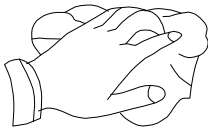
2. Never place liquids or anything damp upon furniture as it will mark. Ensure a coaster or running is beneath.



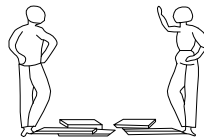
3. Never use ammonia based cleaning products as it will damage the finish.



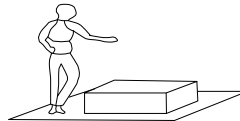
4. To avoid fading, keep furniture out of direct sunlight.



5. Use a soft or damp cloth (dry cloth) when wiping or cleaning surface.



6. Two person are required



7. Lay a soft matt down to protect the furniture pieces before and during assembly.

So your relationship is strong. But is it flat-pack furniture strong? Unless you're an aerospace engineer, assembling furniture can be slightly stressful. We recommend meditating quietly, pouring yourself a herbal tea (or slightly less herbal wine) and tackling things one step at a time. If you feel a passive aggressive remark coming on, try a compliment instead. E.g. "You're so good looking".

This 32-Step assembly should take around 65 minutes with an Allen Key-or 45 minutes with an electric drill.  
Godspeed.

Designed for everyday

# Components Hardware

Please check you have all the fittings  
part or tools are listed in below.

No.A  
Quantity:32Pcs  
Dowel



No.B  
Quantity:38Pcs  
Cam Bolt



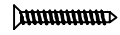
No.B  
Quantity:38Pcs  
Cam Nut



No.C  
Quantity:78Pcs  
Screw M3.5\*14mm



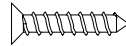
No.D  
Quantity:22Pcs  
Screw M3.5\*35mm



No.E  
Quantity:10Pcs  
Wheel Drawer



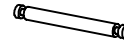
No.F  
Quantity:12Pcs  
Screw M3.5\*25mm



No.G  
Quantity:4Pcs  
Plastic Hammer Head Screw



No.H  
Quantity:14Pcs  
Double Head Bolt



No.H  
Quantity:28Pcs  
Cam Nut



No.J  
Quantity:14Pcs  
Dowel



No.K  
Quantity:6Pcs  
Connect Metal Sheet



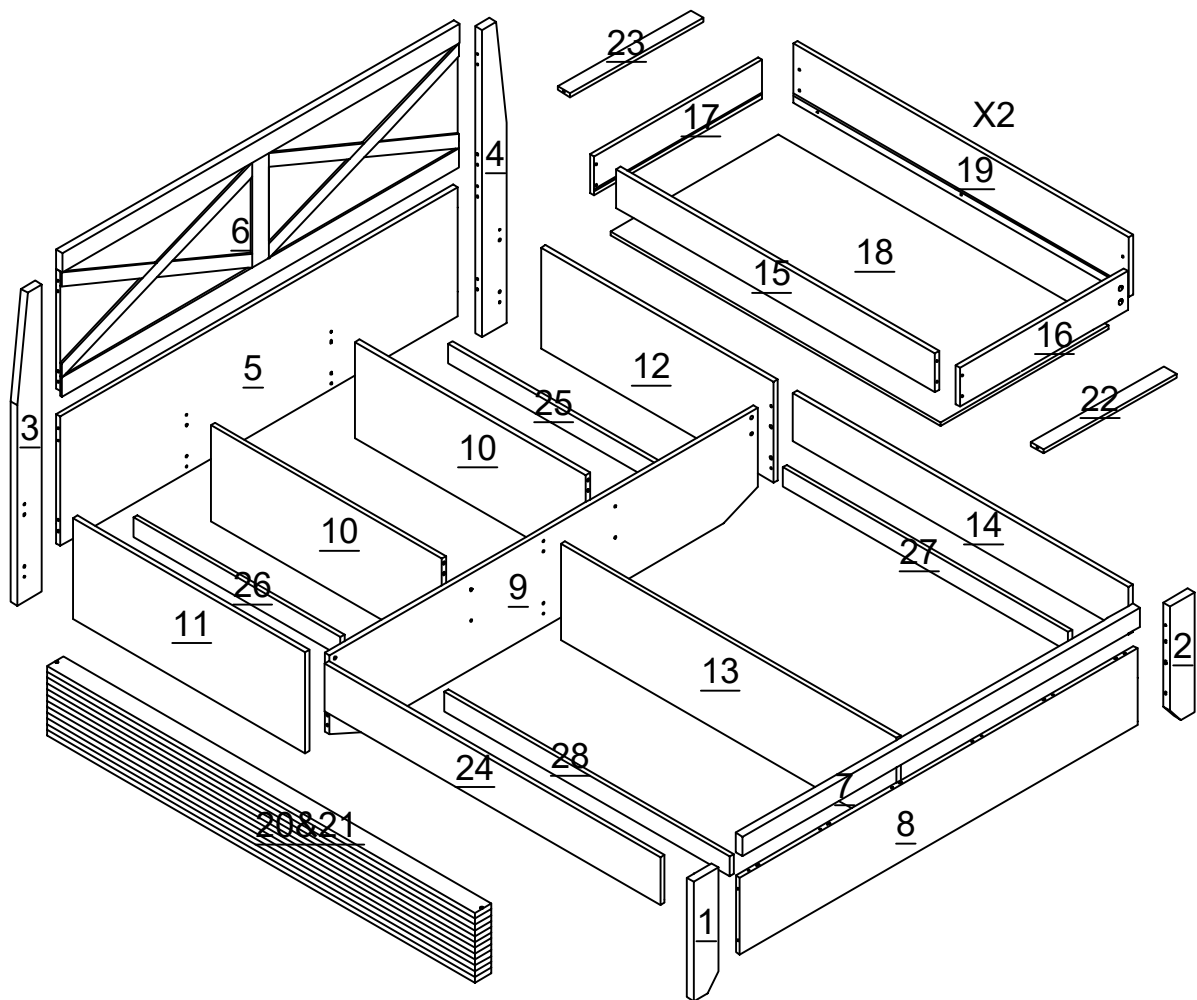
No.L  
Quantity:4Pcs  
Angle Iron



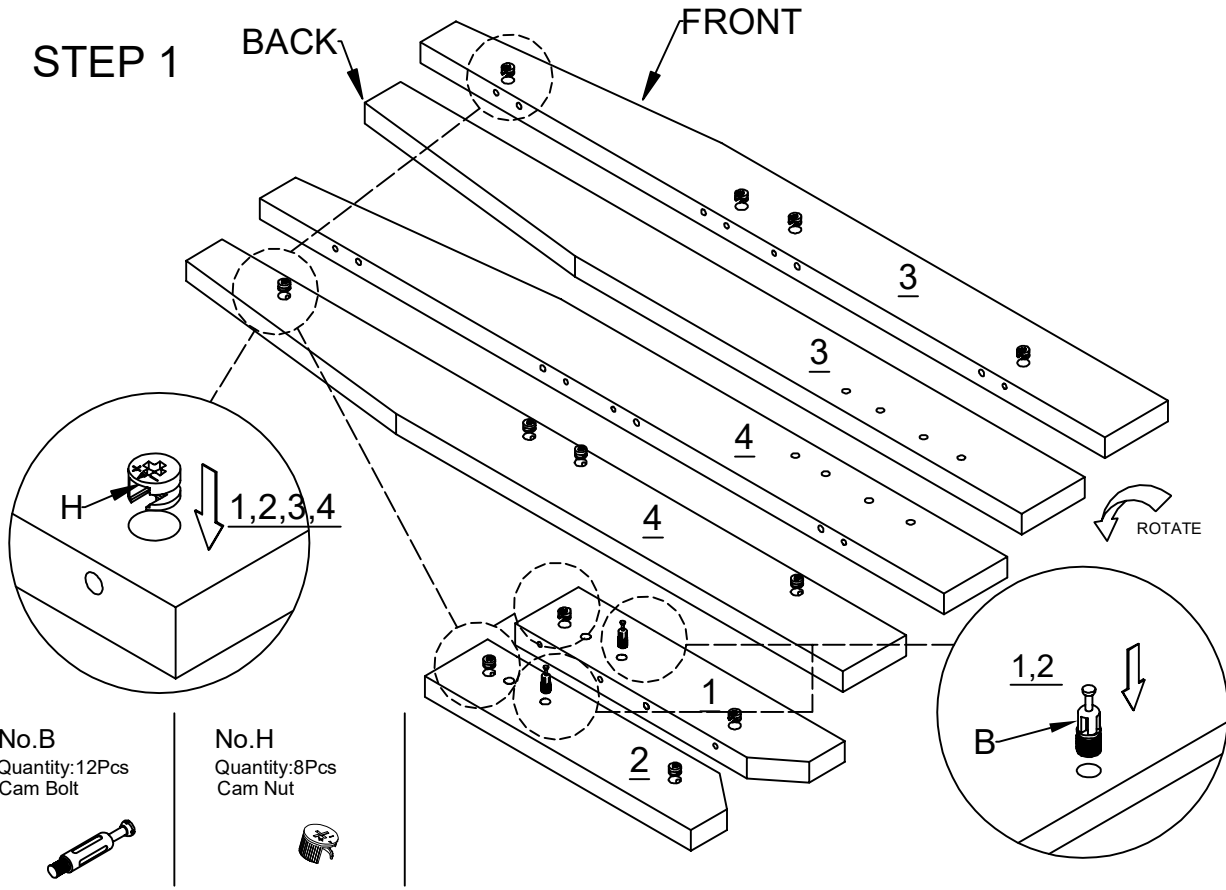
# Components Panels & Part List

Please check you have all the panels are listed below.

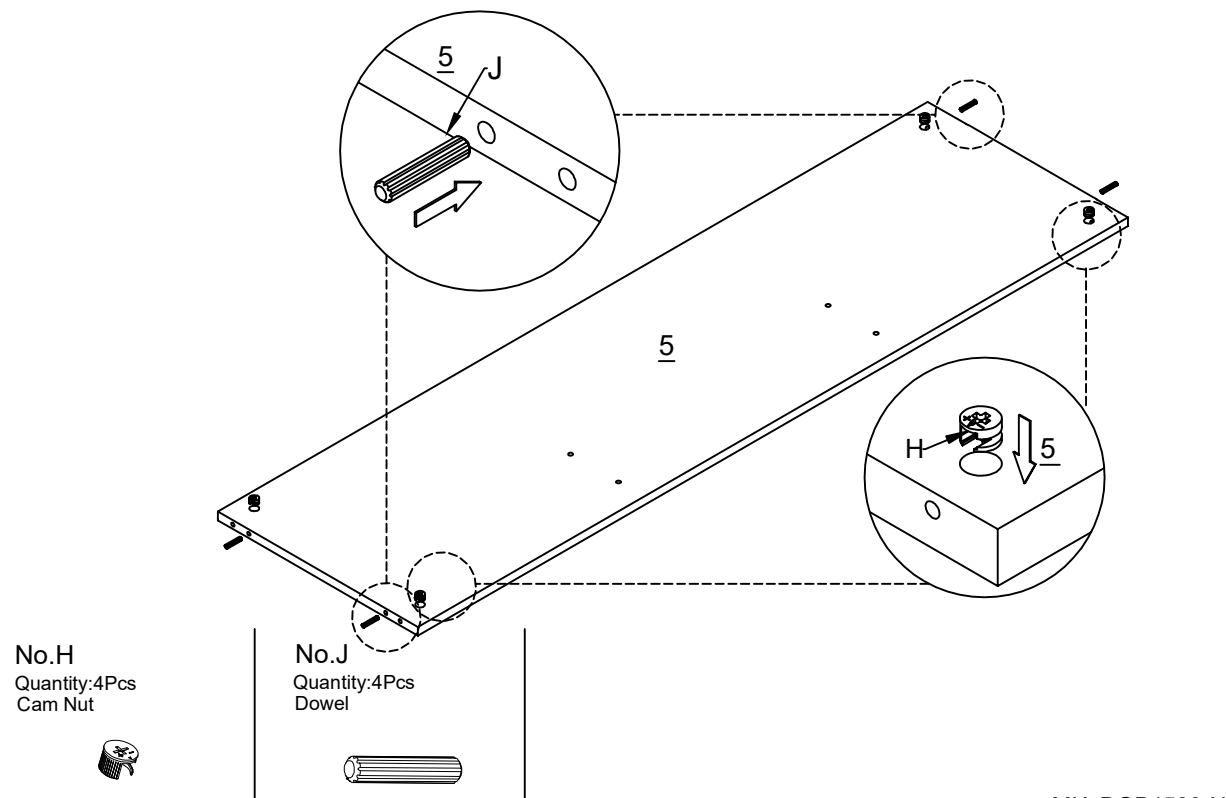
1. Small pillar leg_L-----x1	CTN1/3	15. Drawer back -----x2	CTN2/3
2. Small pillar leg_R-----x1	CTN1/3	16. Drawer side left-----x2	CTN2/3
3. Large pillar leg_L-----x1	CTN2/3	17. Drawer side right-----x2	CTN2/3
4. Large pillar leg_R-----x1	CTN2/3	18. Drawer base -----x2	CTN2/3
5. Headboard lower-----x1	CTN1/3	19. Drawer front -----x2	CTN1/3
6. Headboard upper-----x1	CTN1/3	20. Bed slat -----x9	CTN3/3
7. FB top plinth-----x1	CTN1/3	21. Bed slat_hole -----x5	CTN3/3
8. Front board panel-----x1	CTN3/3	22. Dwr base s. rail_1 -----x4	CTN1/3
9. Middle support bed -----x1	CTN3/3	23. Dwr base s. rail_2-----x2	CTN1/3
10. Back centre rail-----x2	CTN2/3	24. Front side rail_L-----x1	CTN1/3
11. Back left side rail-----x1	CTN2/3	25. S Support brace_R-----x1	CTN2/3
12. Back right side rail-----x1	CTN2/3	26. S Support brace_L-----x1	CTN2/3
13. Front centre rail-----x1	CTN2/3	27. L Support brace_R-----x1	CTN1/3
14. Front side rail_R-----x1	CTN2/3	28. L Support brace_L-----x1	CTN1/3



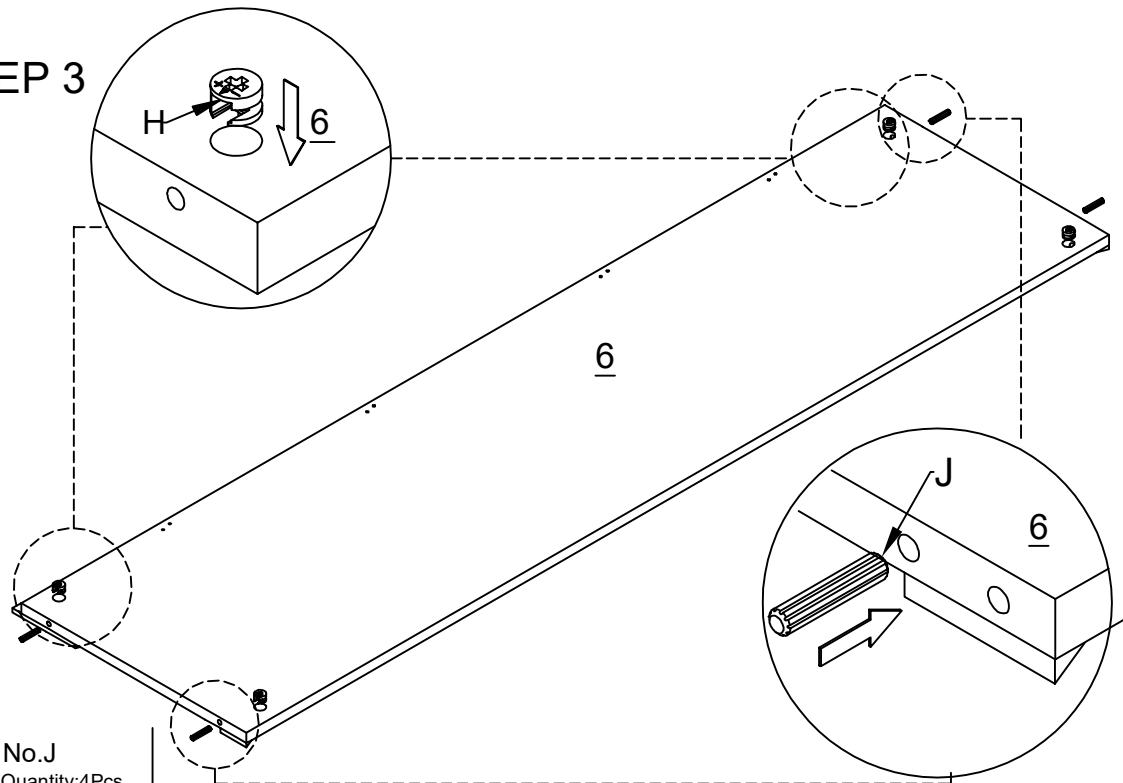
# STEP 1



# STEP 2



### STEP 3



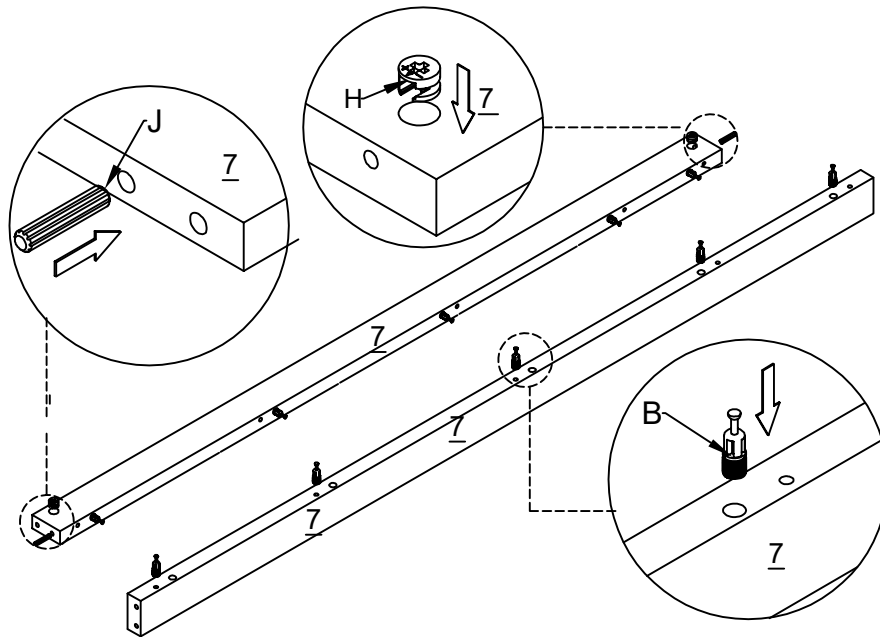
No.H  
Quantity:4Pcs  
Cam Nut



No.J  
Quantity:4Pcs  
Dowel



### STEP 4



No.B  
Quantity:5Pcs  
Cam Bolt



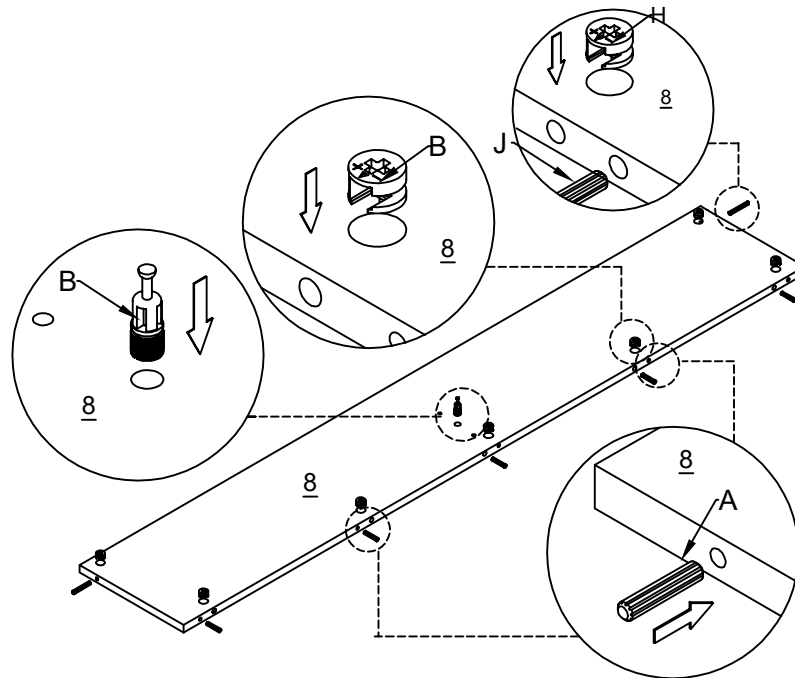
No.H  
Quantity:2Pcs  
Cam Nut



No.J  
Quantity:2Pcs  
Dowel



# STEP 5



No.A  
Quantity:5Pcs  
Dowel



No.B  
Quantity:1Pcs  
Cam Bolt



No.B  
Quantity:5Pcs  
Cam Nut



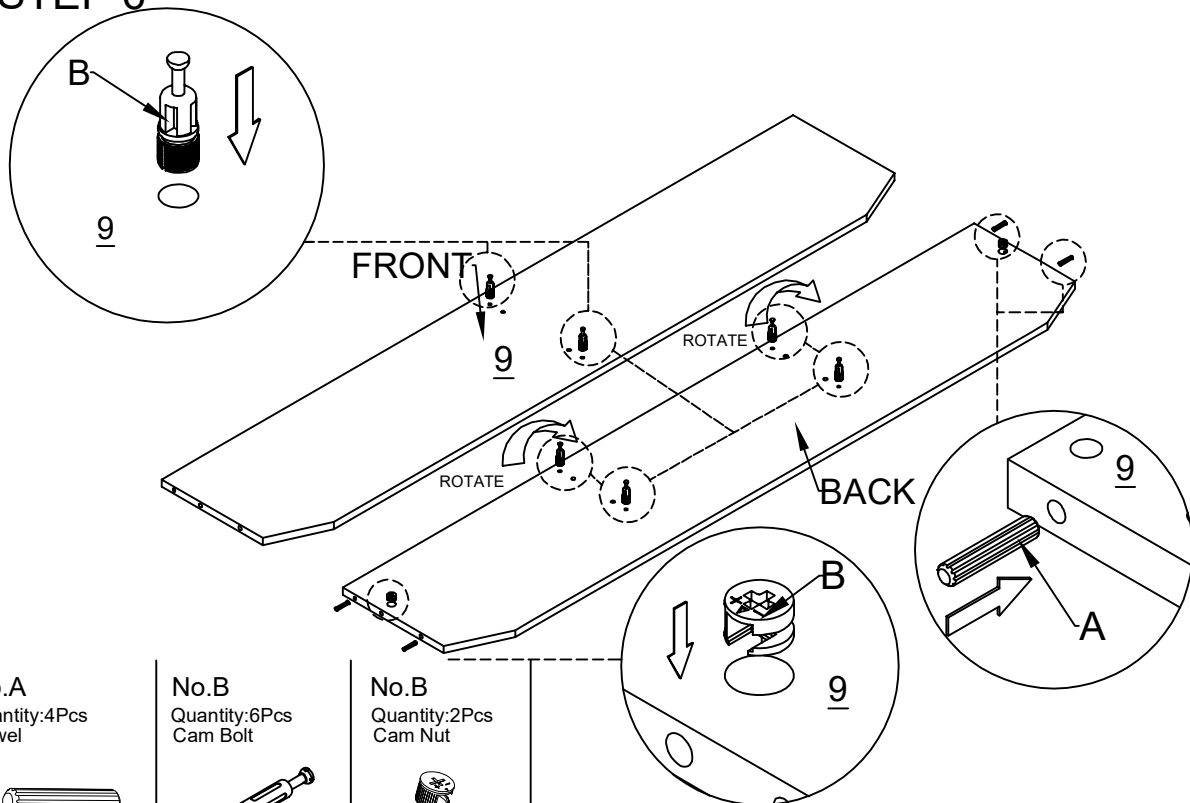
No.H  
Quantity:2Pcs  
Cam Nut



No.J  
Quantity:2Pcs  
Dowel



# STEP 6



No.A  
Quantity:4Pcs  
Dowel



No.B  
Quantity:6Pcs  
Cam Bolt

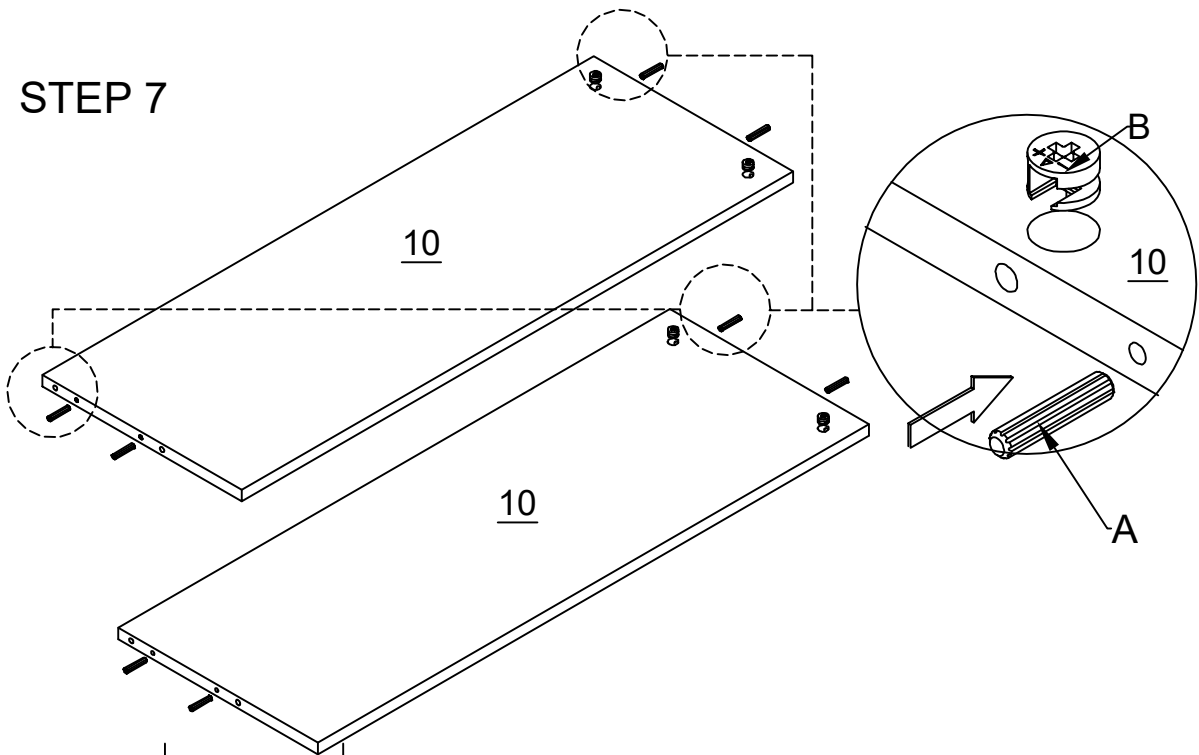


No.B  
Quantity:2Pcs  
Cam Nut





# STEP 7



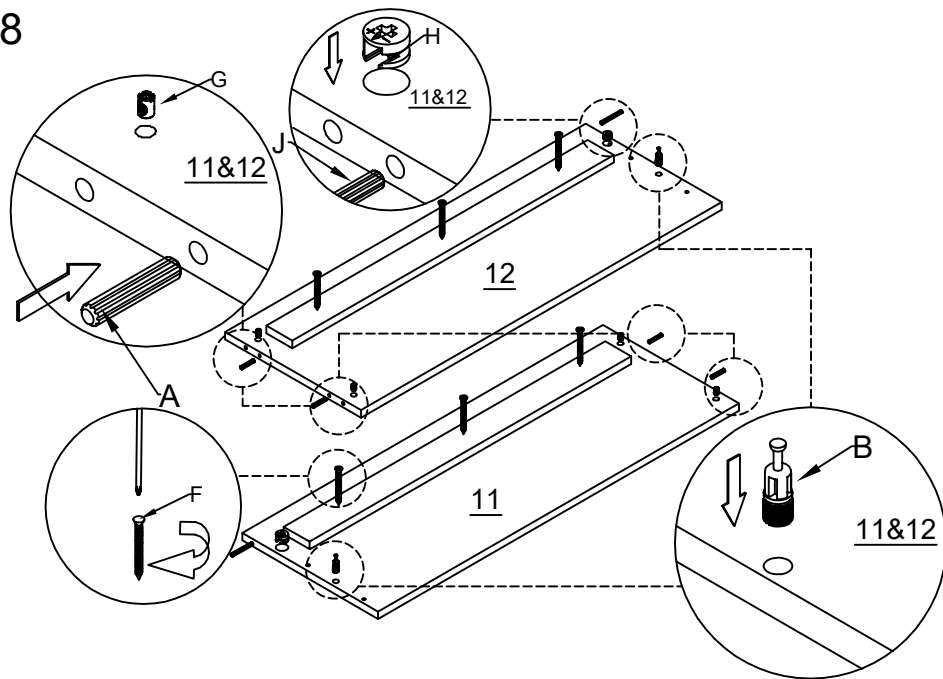
No.A  
Quantity:8Pcs  
Dowel



No.B  
Quantity:4Pcs  
Cam Nut



# STEP 8



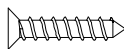
No.A  
Quantity:4Pcs  
Dowel



No.B  
Quantity:2Pcs  
Cam Bolt



No.F  
Quantity:6Pcs  
Screw M3.5\*25mm



No.G  
Quantity:4Pcs  
Plastic Hammer Head Screw



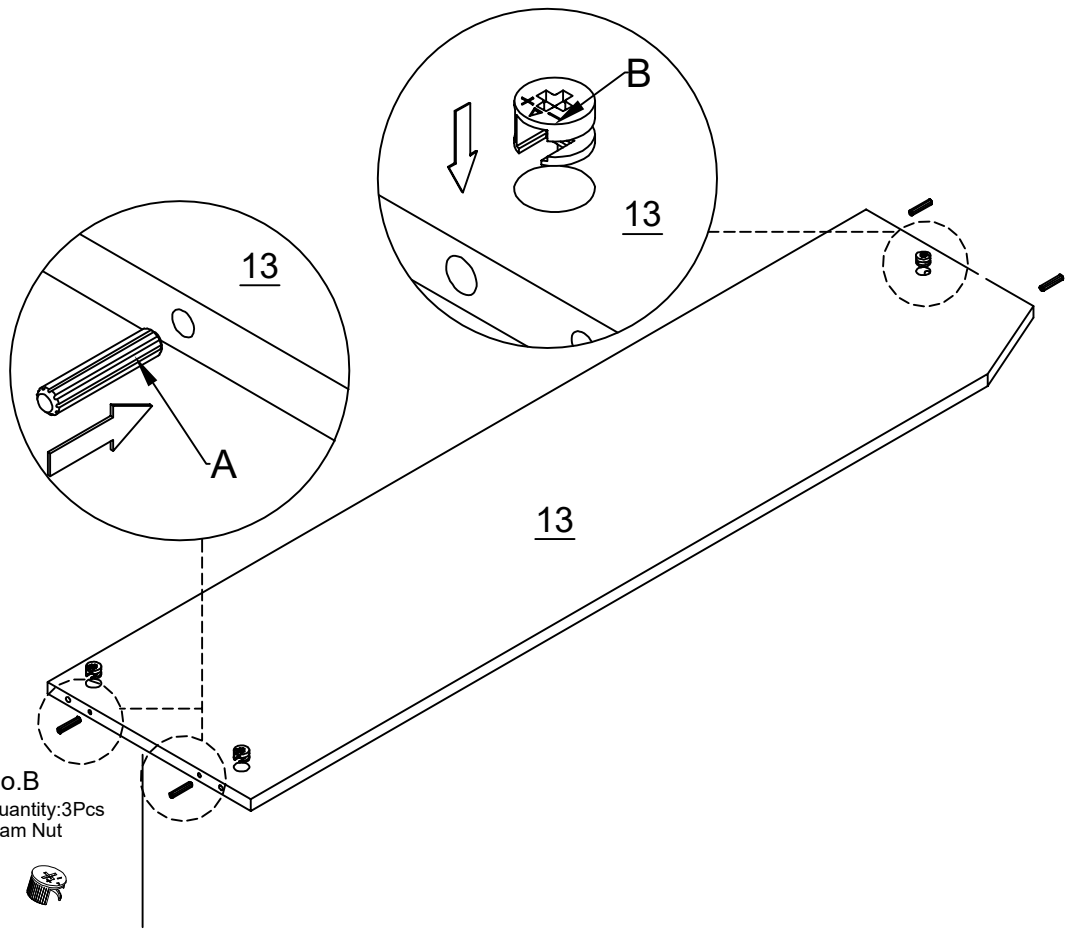
No.H  
Quantity:2Pcs  
Cam Nut



No.J  
Quantity:2Pcs  
Dowel



# STEP 9



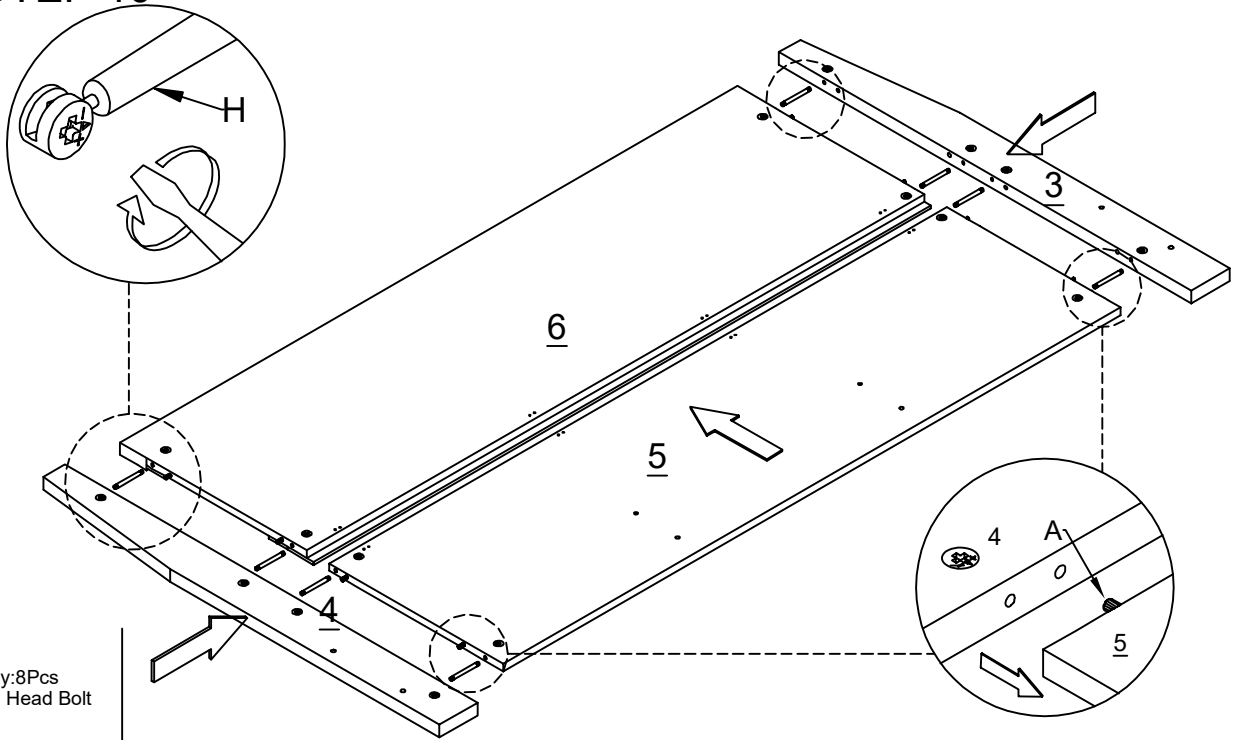
No.A  
Quantity:4Pcs  
Dowel



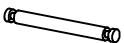
No.B  
Quantity:3Pcs  
Cam Nut



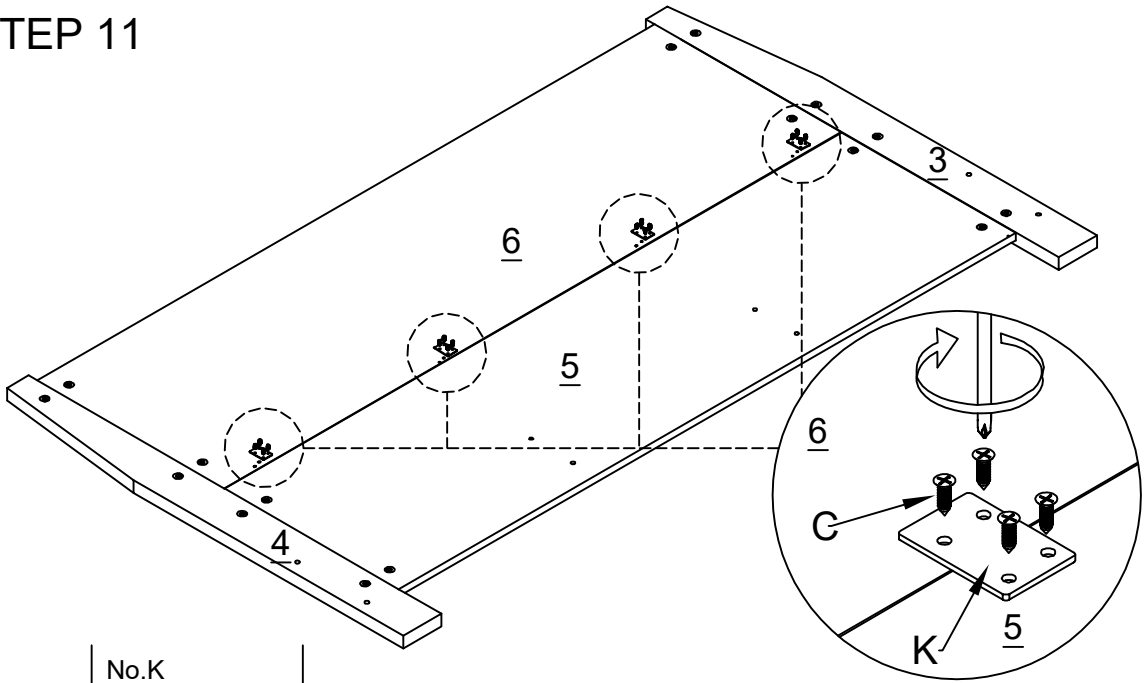
# STEP 10



No.H  
Quantity:8Pcs  
Double Head Bolt



# STEP 11



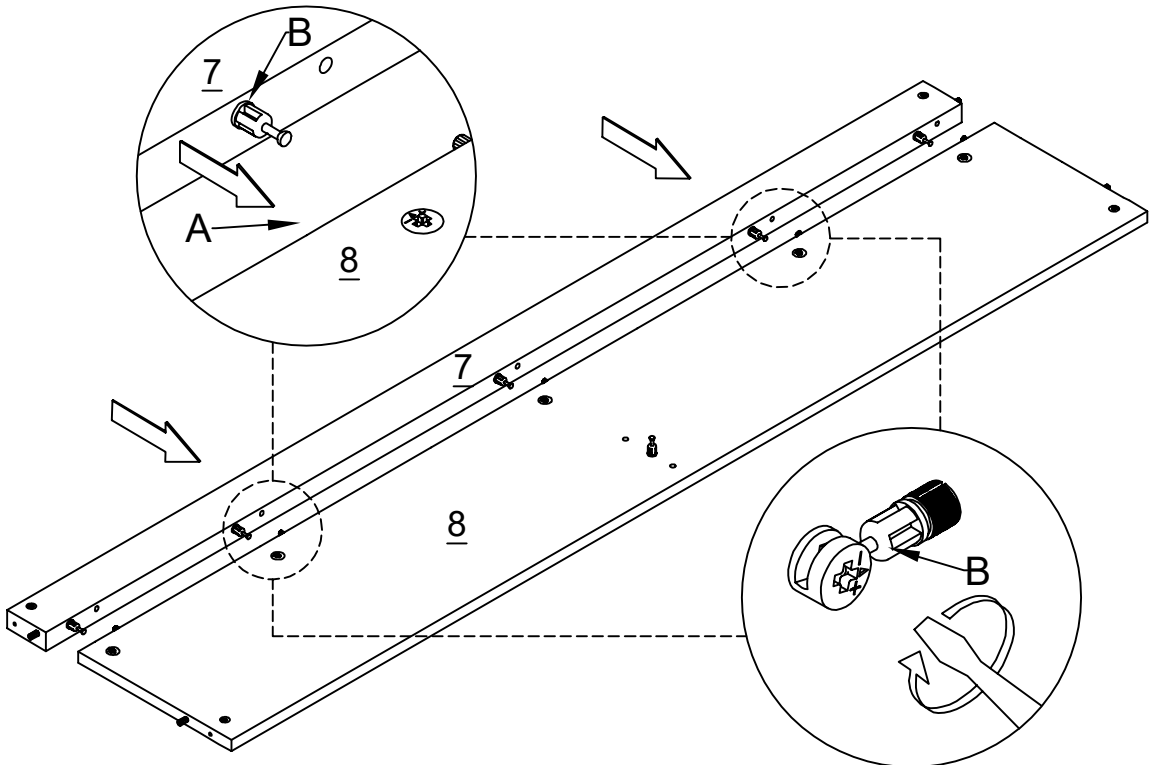
No.C  
Quantity:16Pcs  
Screw M3.5\*14mm



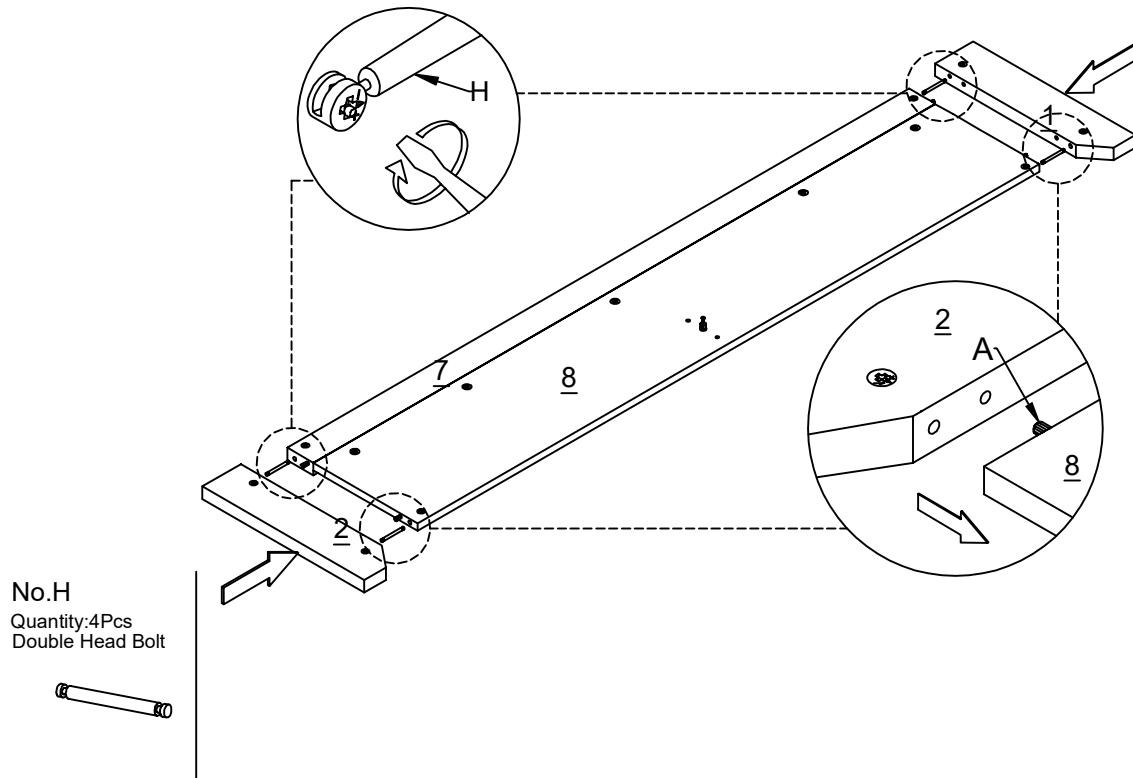
No.K  
Quantity:4Pcs  
Connect Metal Sheet



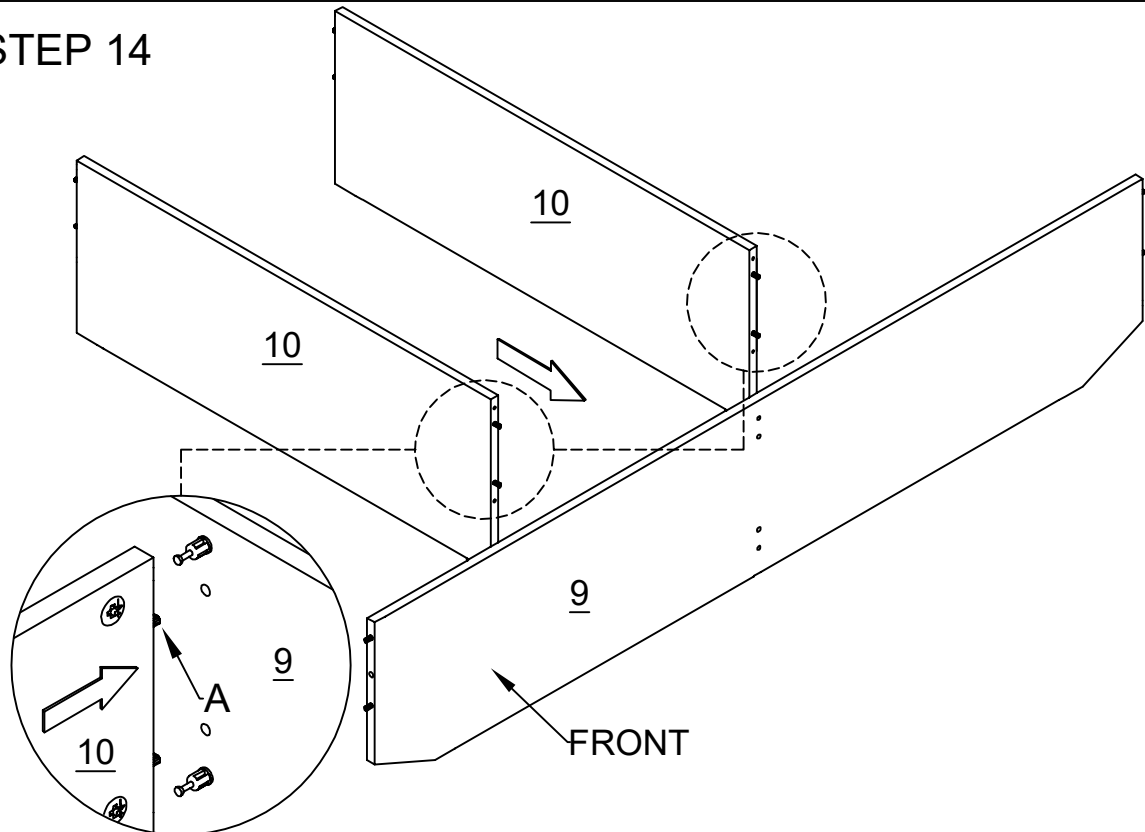
# STEP 12



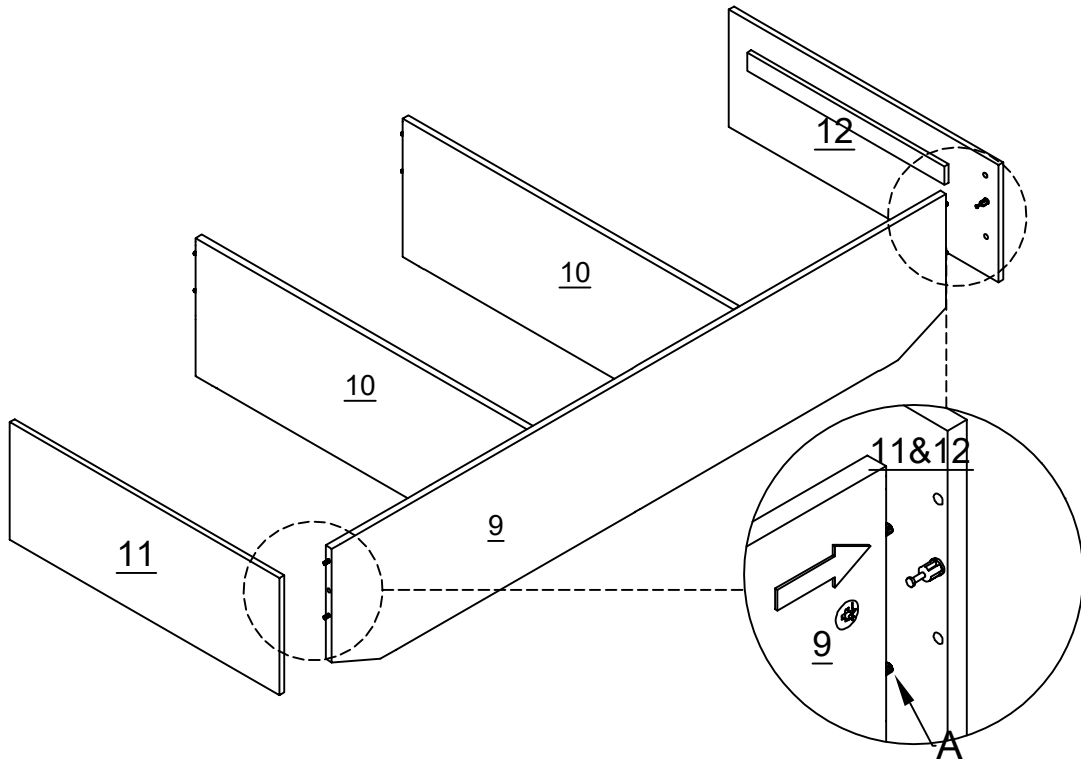
# STEP 13



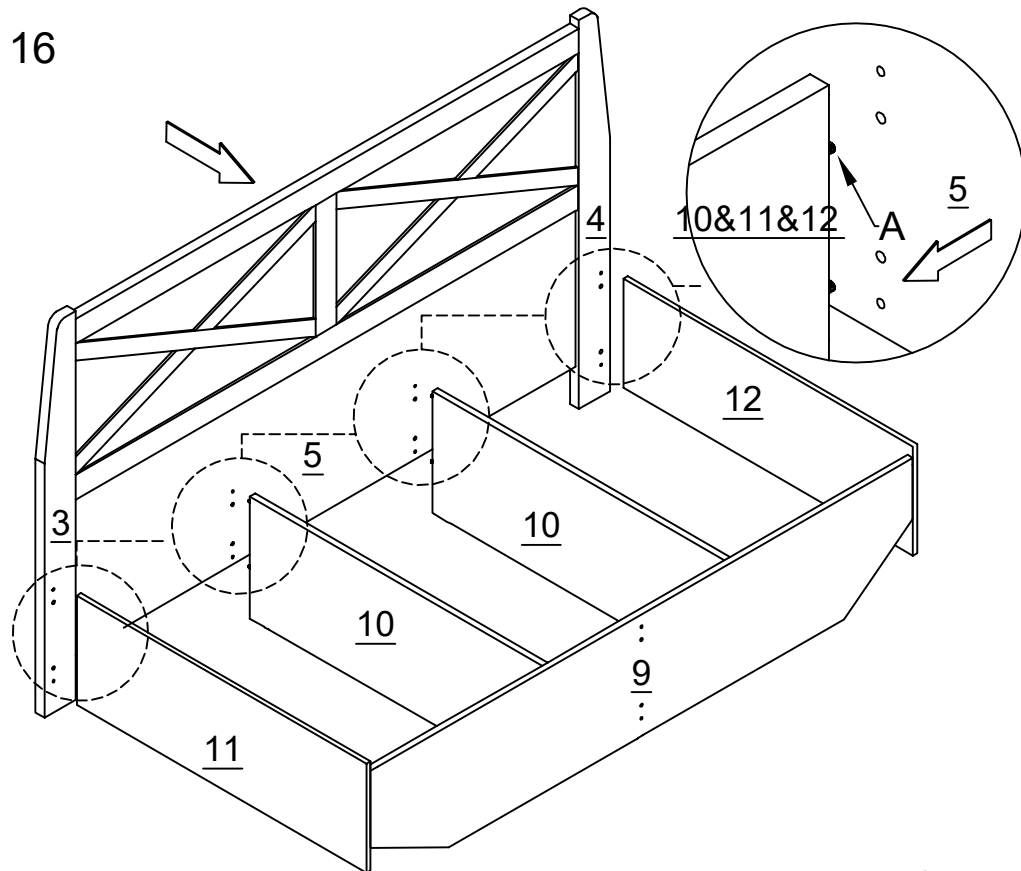
# STEP 14



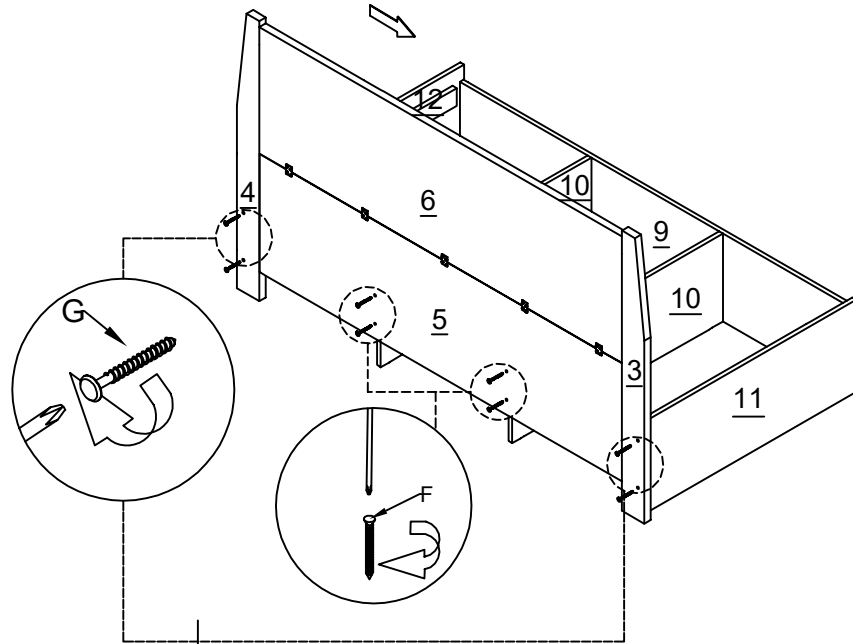
# STEP 15



# STEP 16



# STEP 17



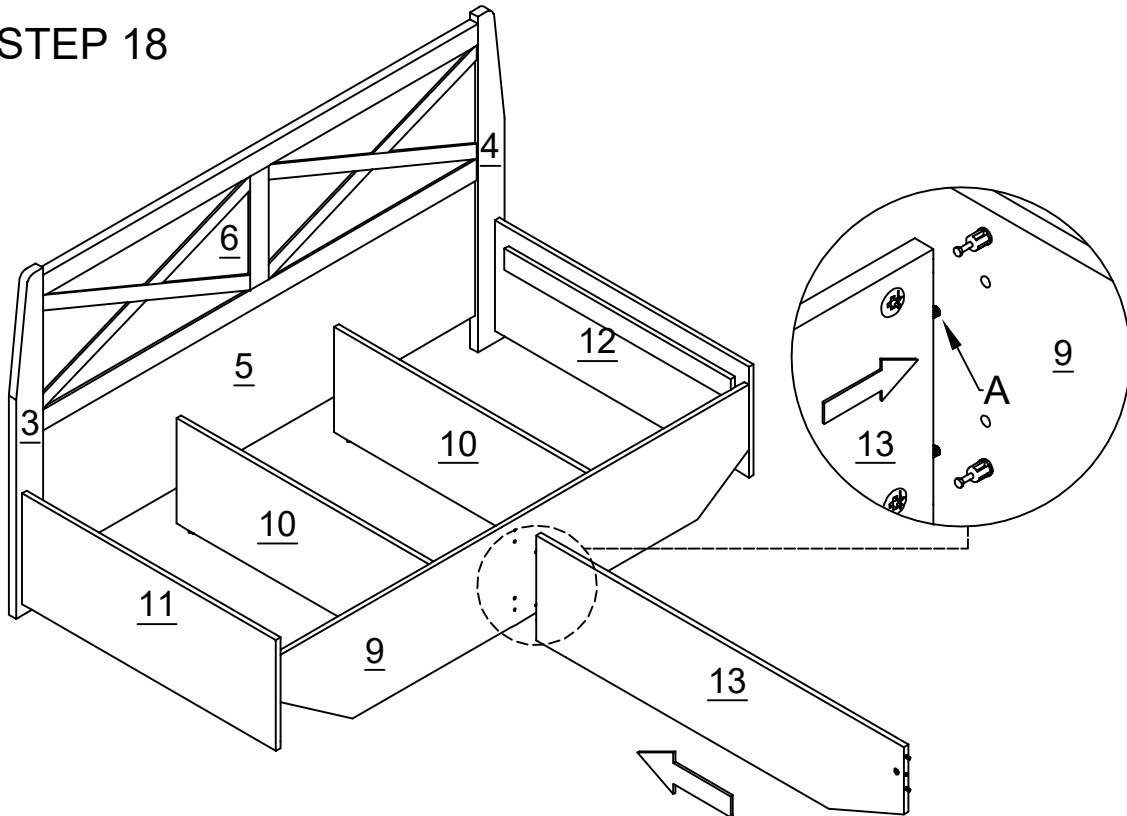
No.D  
Quantity:4Pcs  
Screw M3.5\*35mm



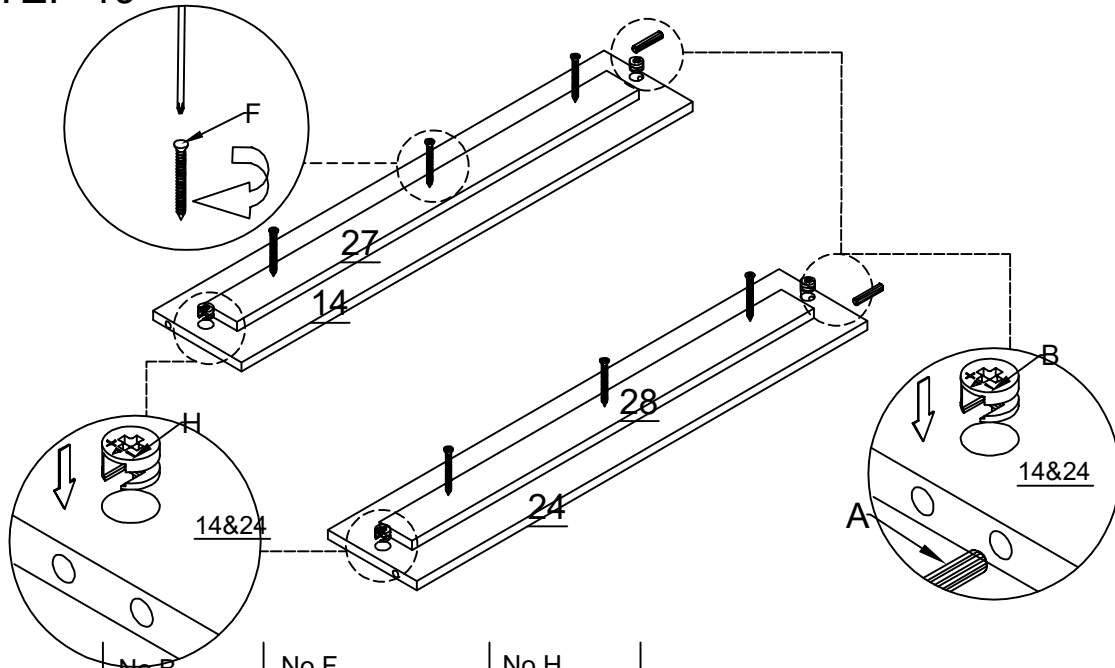
No.G  
Quantity:4Pcs  
Plastic Hammer Head Screw



# STEP 18



## STEP 19



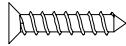
No.A  
Quantity:2Pcs  
Dowel



No.B  
Quantity:2Pcs  
Cam Nut



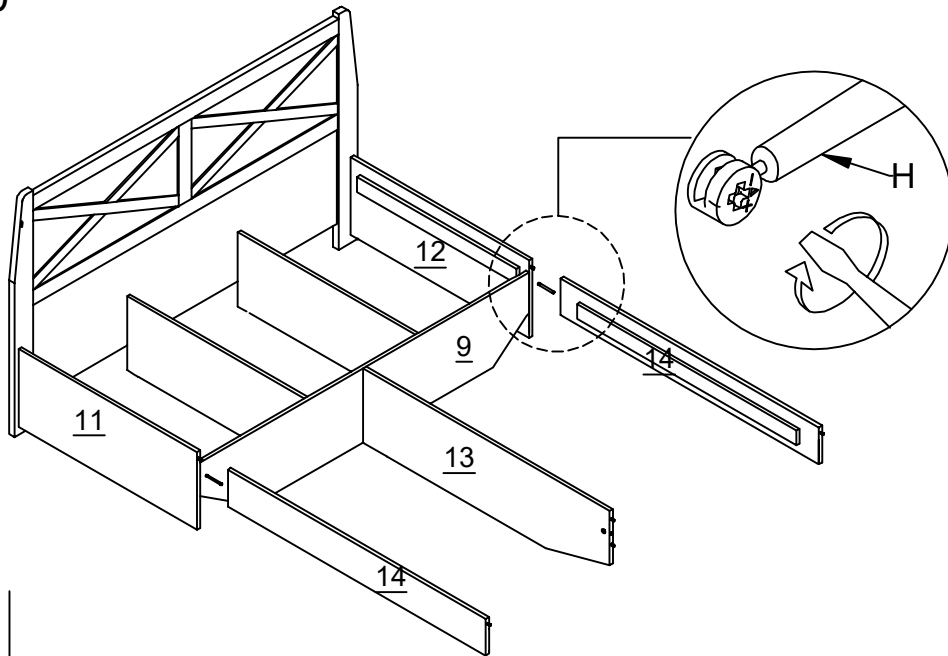
No.F  
Quantity:6Pcs  
Screw M3.5\*25mm



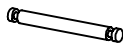
No.H  
Quantity:2Pcs  
Cam Nut



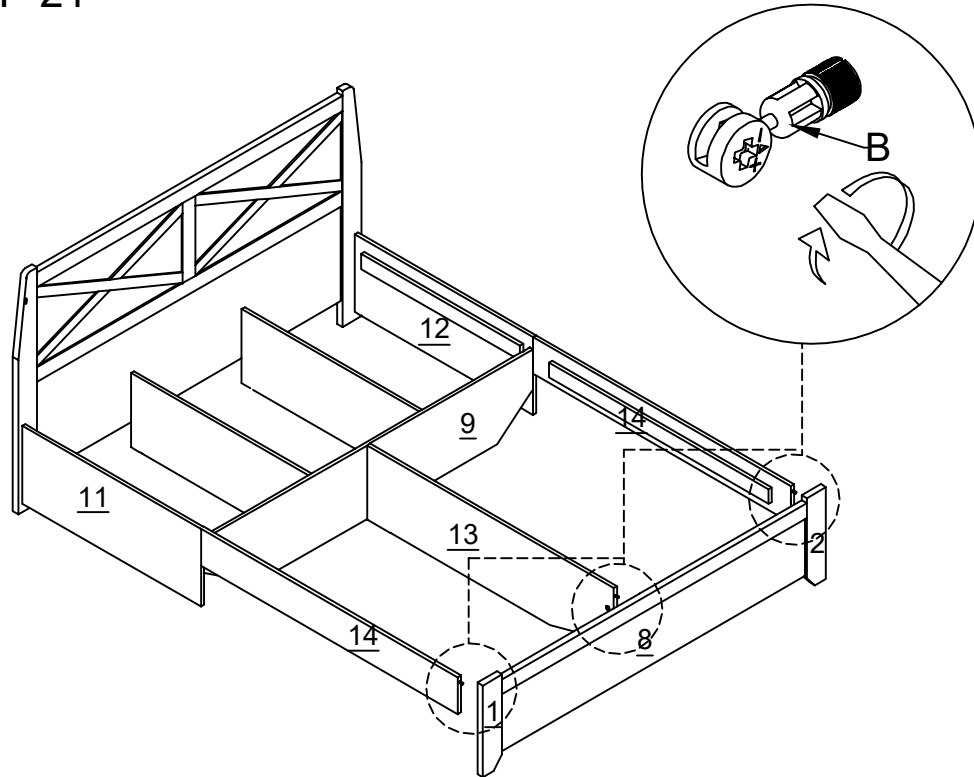
## STEP 20



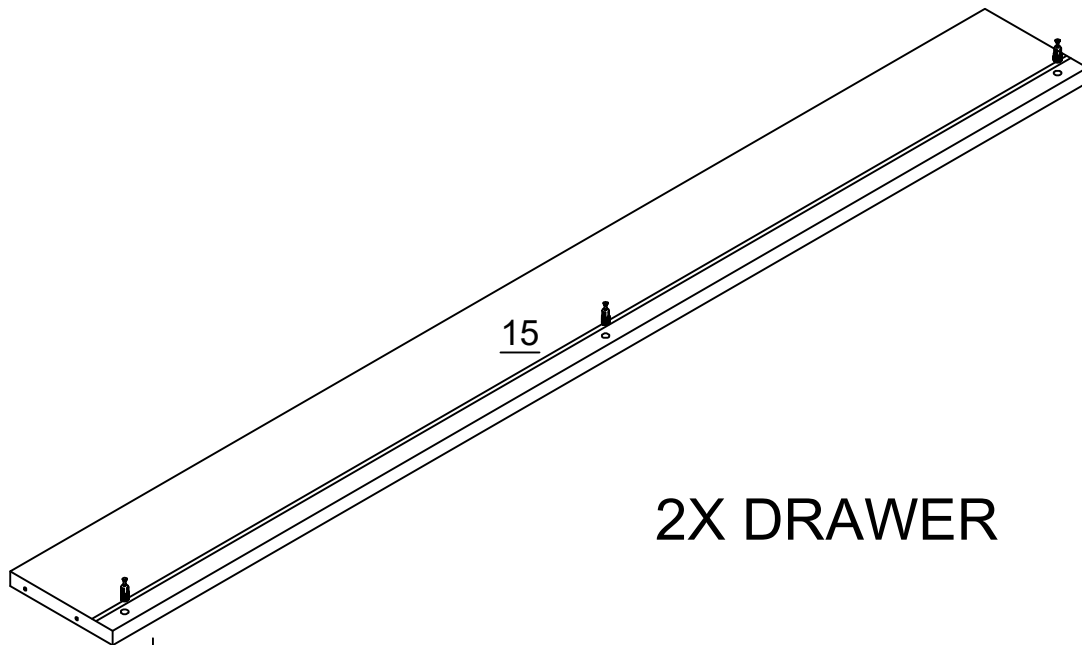
No.H  
Quantity:2Pcs  
Double Head Bolt



## STEP 21



## STEP 22

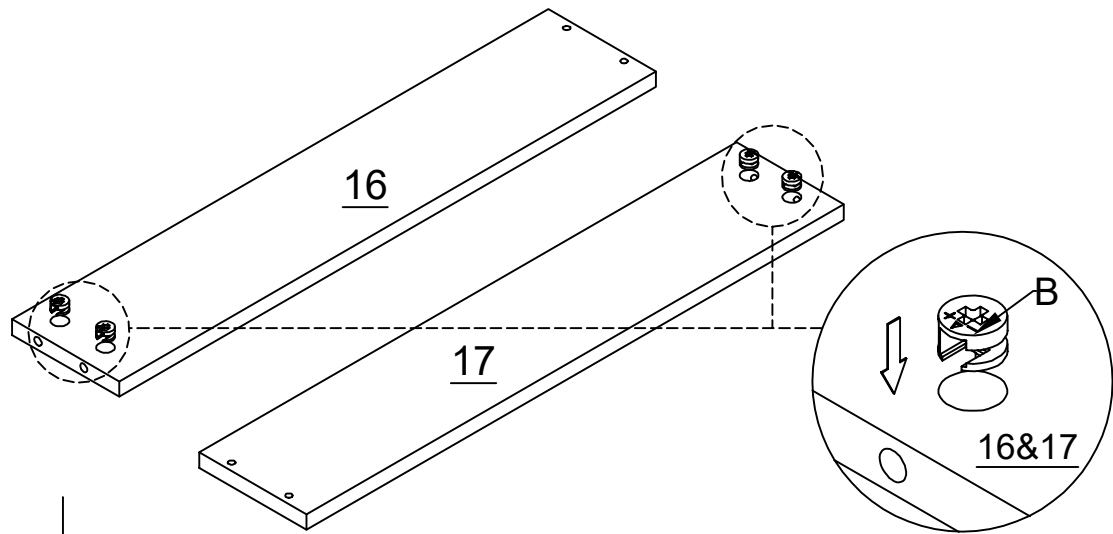


No.B  
Quantity:6Pcs  
Cam Bolt





# STEP 23

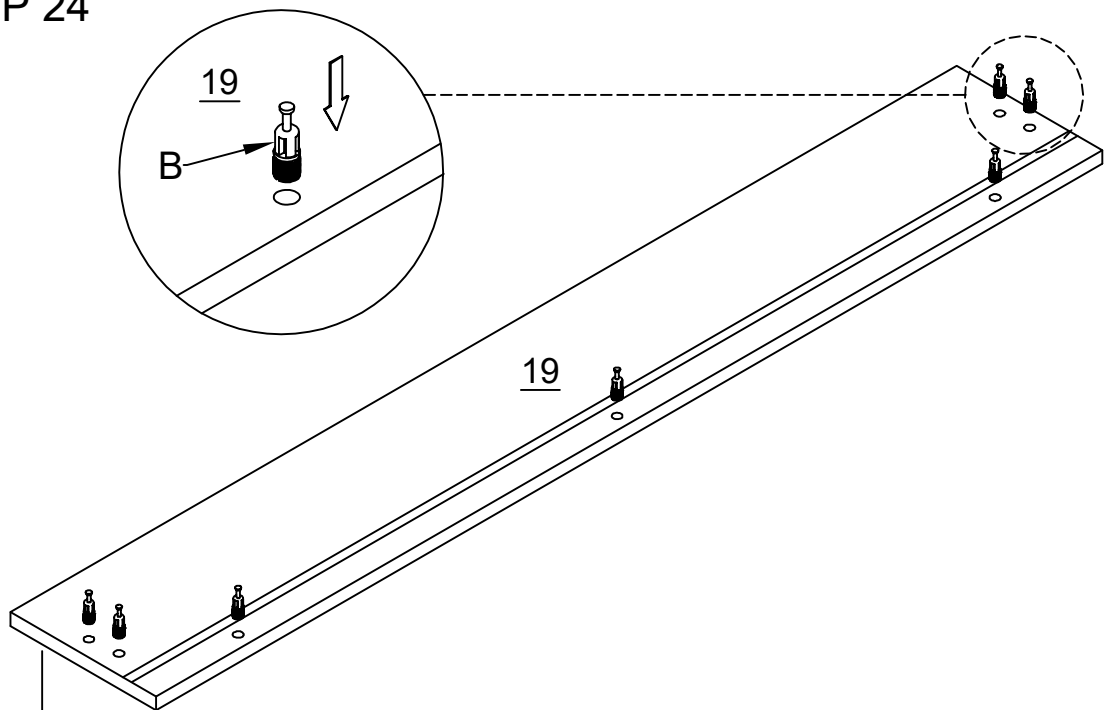


No.B  
Quantity:8Pcs  
Cam Nut



## 2X DRAWER

# STEP 24

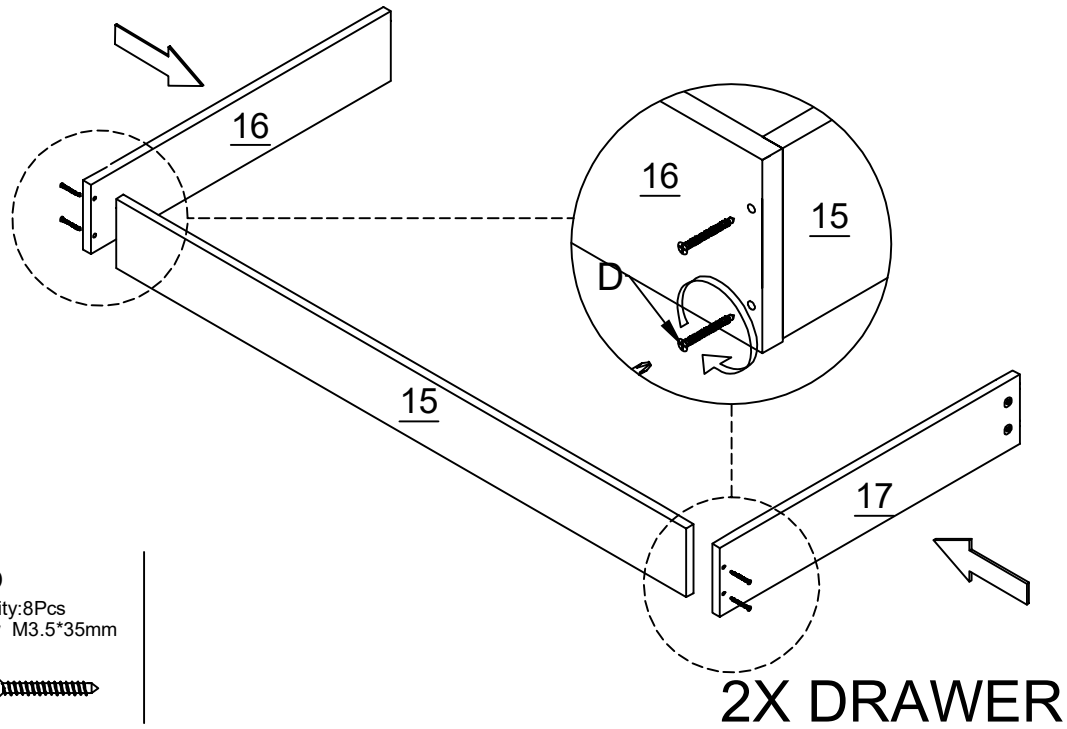


No.B  
Quantity:14Pcs  
Cam Bolt

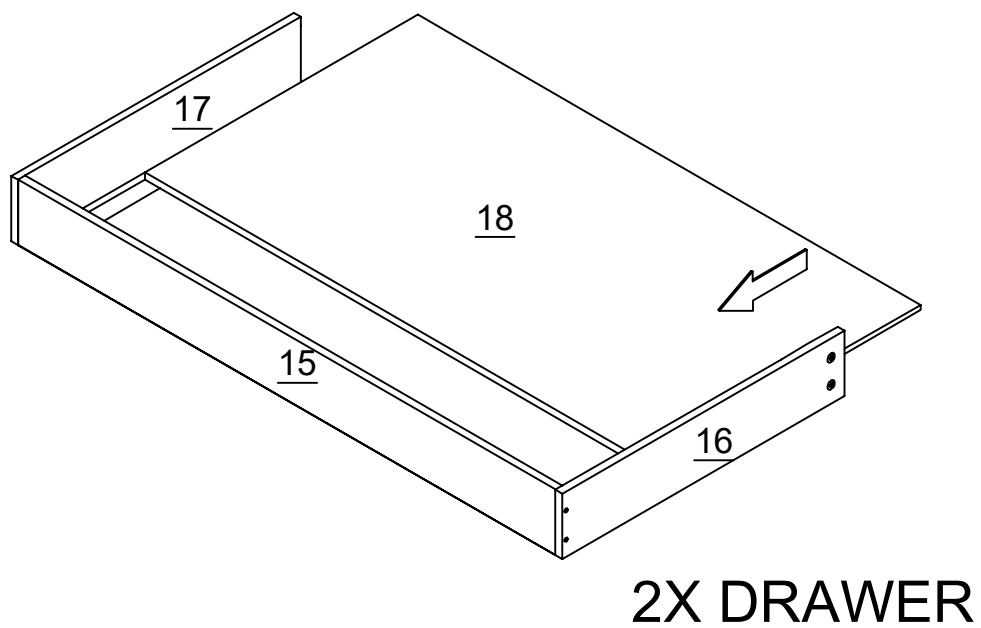


## 2X DRAWER

## STEP 25

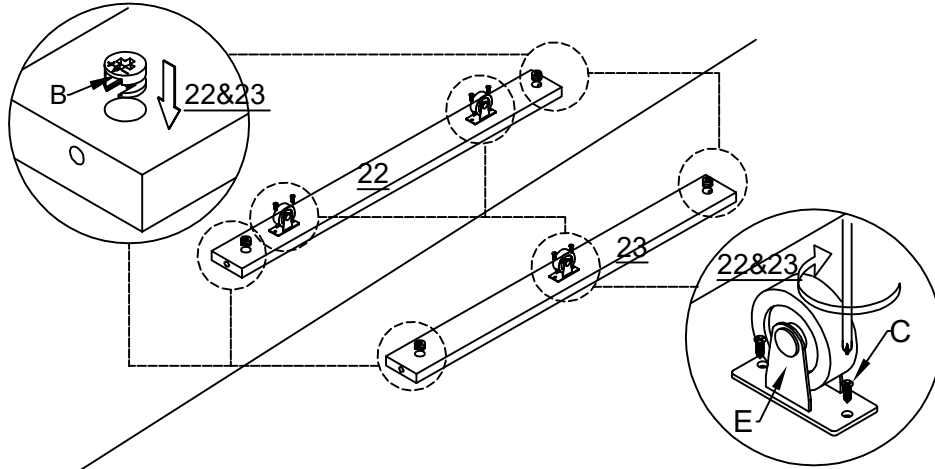


## STEP 26



# STEP 27

## 4X DRAWER



No.B  
Quantity:12Pcs  
Cam Nut



No.C  
Quantity:20Pcs  
Screw M3.5\*14mm

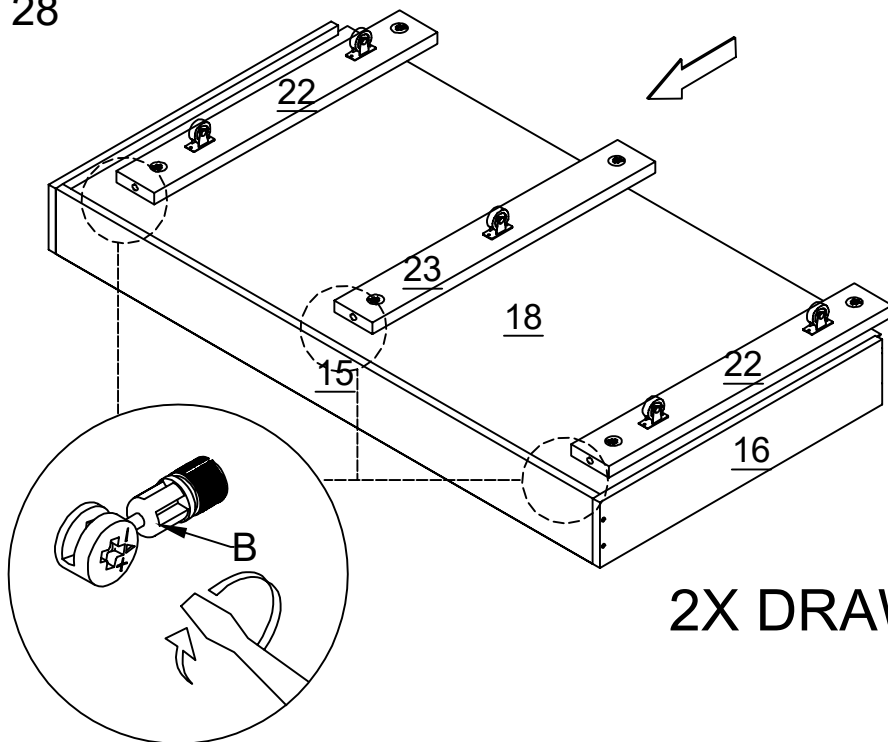


No.E  
Quantity:10Pcs  
Wheel Drawer



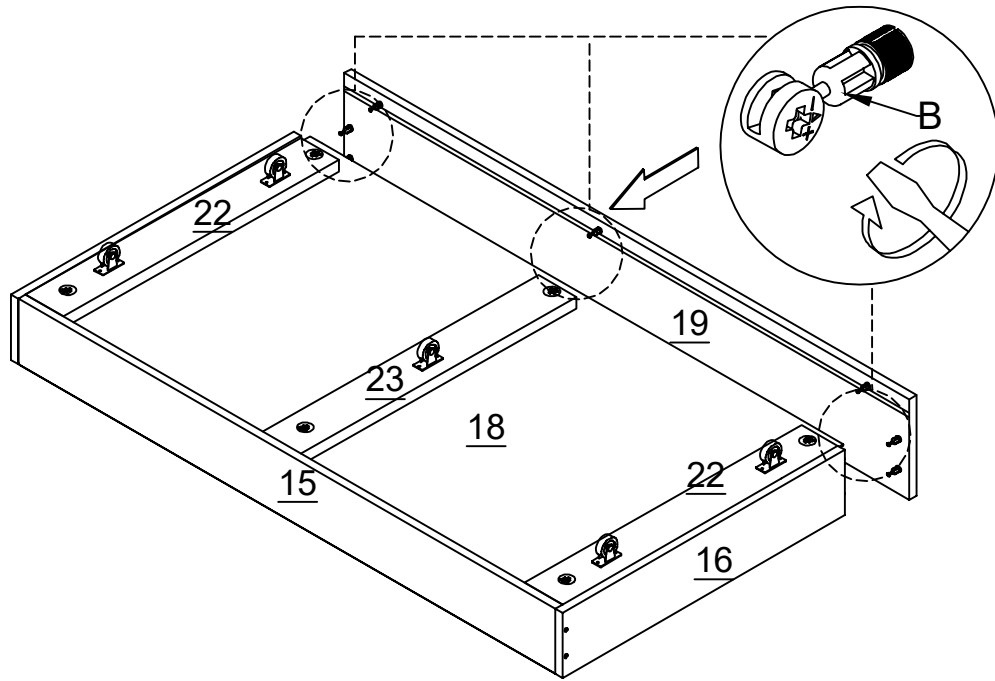
## 2X DRAWER

# STEP 28



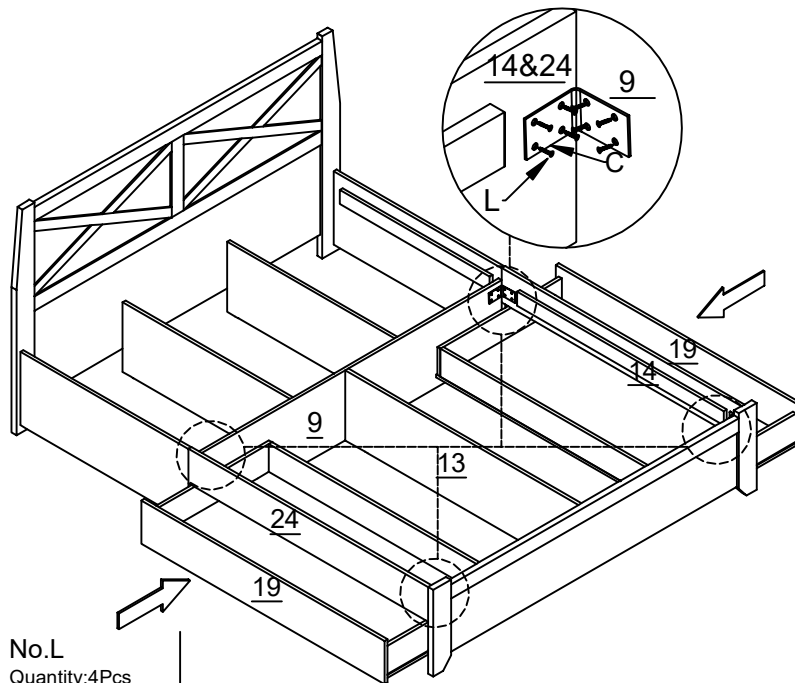
## 2X DRAWER

# STEP 29



## 2X DRAWER

# STEP 30



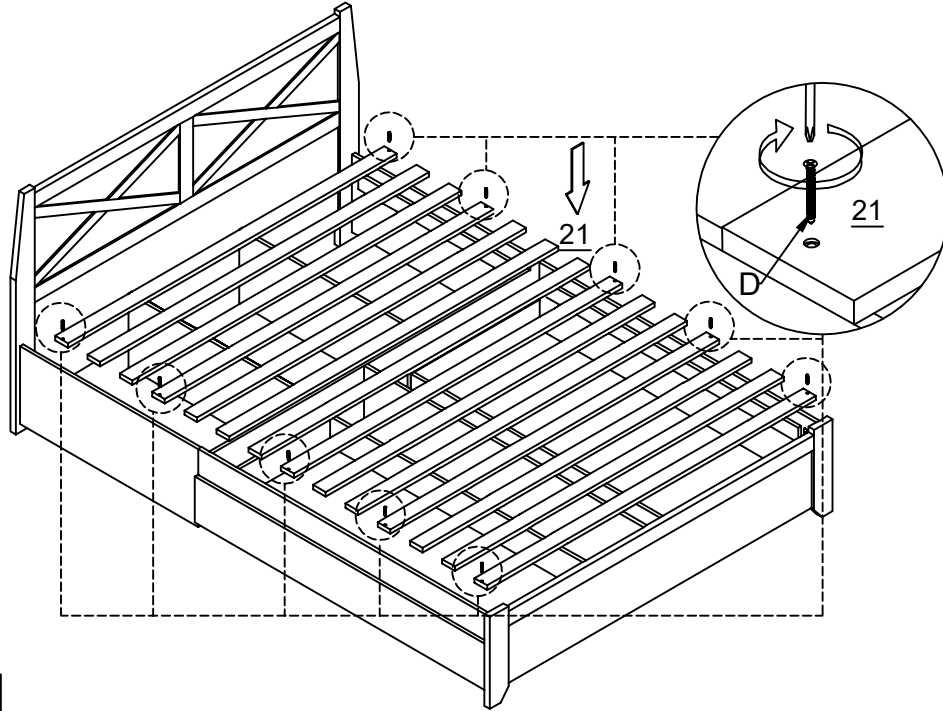
No.C  
Quantity:32Pcs  
Screw M3.5\*14mm



No.L  
Quantity:4Pcs  
Angle Iron



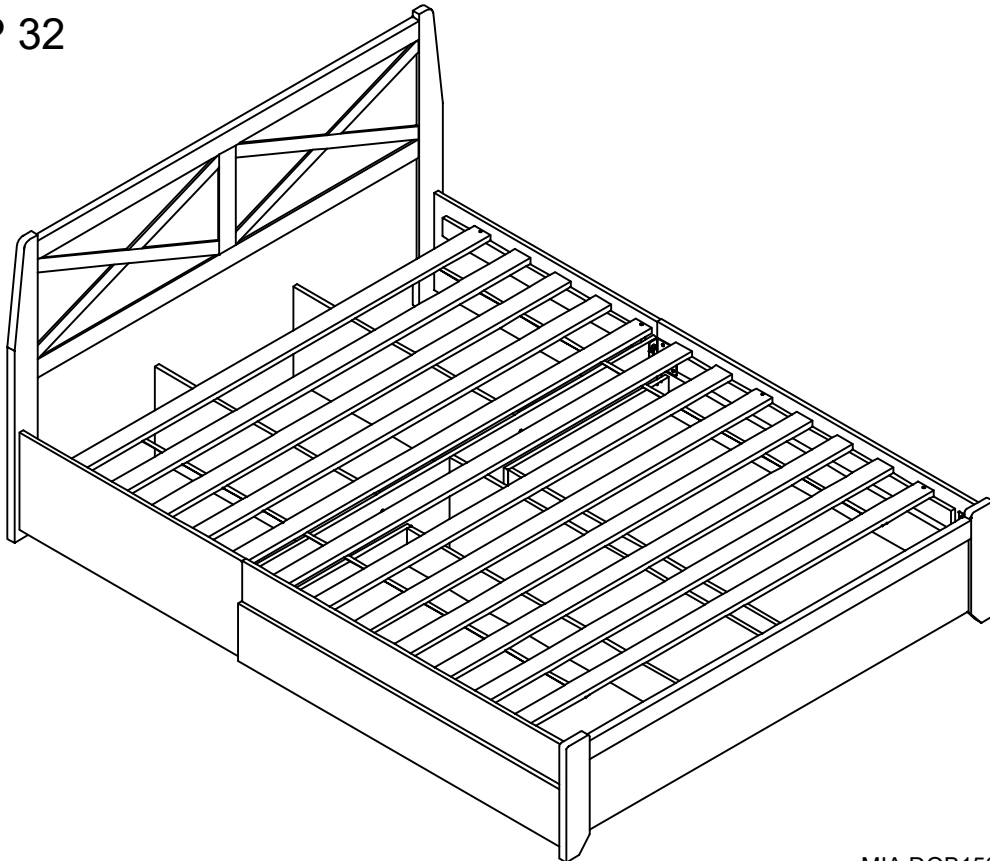
## STEP 31



No.D  
Quantity:10Pcs  
Screw M3.5\*35mm



## STEP 32



[lifely.com.au](http://lifely.com.au)

**Great Job, You're done!**

Don't forget to share how it looks in  
your space and tag us on Instagram.

[@lifelyhome#homewithlifely!](#)