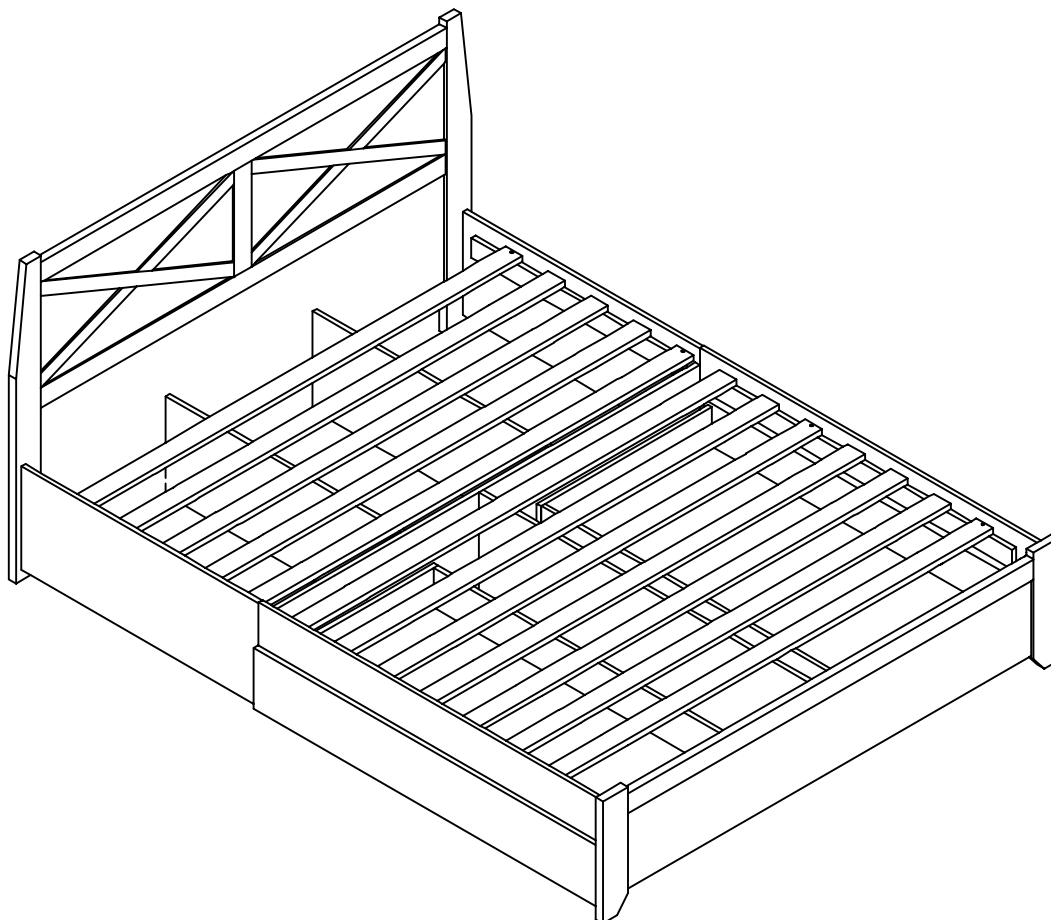


Assemble Instructions

Mia Series



Lifely*

Product Code

MIA DKB1800-NT

King Size Bed With Storage

Dimensions(W x D x H)

2080*1900*950mm

Important

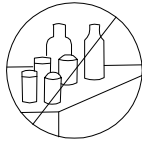
Please read through instructions carefully
Before assembly and keep for future reference.

For our full catalogue of assembly instructions,
Visit:lifely.com.au/assembly.

Important Tips and Maintenance



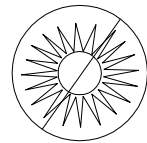
1. Keep children and animals away from working area as smaller parts may cause choking if swallowed



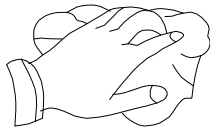
2. Never place liquids or anything damp upon furniture as it will mark. Ensure a coaster or running is beneath.



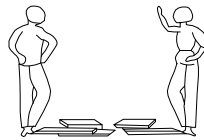
3. Never use ammonia based cleaning products as it will damage the finish.



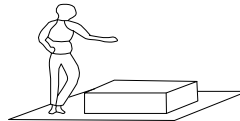
4. To avoid fading, keep furniture out of direct sunlight.



5. Use a soft or damp cloth (dry cloth) when wiping or cleaning surface.



6. Two person are required



7. Lay a soft matt down to protect the furniture pieces before and during assembly.

So your relationship is strong. But is it flat-pack furniture strong? Unless you're an aerospace engineer, assembling furniture can be slightly stressful. We recommend meditating quietly, pouring yourself a herbal tea (or slightly less herbal wine) and tackling things one step at a time. If you feel a passive aggressive remark coming on, try a compliment instead. E.g. "You're so good looking".

This 32-Step assembly should take around 65 minutes with an Allen Key-or 45 minutes with an electric drill.
Godspeed.

Designed for everyday

Components Hardware

Please check you have all the fittings
part or tools are listed in below.

No.A
Quantity:32Pcs
Dowel



No.B
Quantity:38Pcs
Cam Bolt



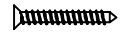
No.B
Quantity:38Pcs
Cam Nut



No.C
Quantity:78Pcs
Screw M3.5*14mm



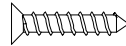
No.D
Quantity:22Pcs
Screw M3.5*35mm



No.E
Quantity:10Pcs
Wheel Drawer



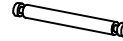
No.F
Quantity:12Pcs
Screw M3.5*25mm



No.G
Quantity:4Pcs
Plastic Hammer Head Screw



No.H
Quantity:14Pcs
Double Head Bolt



No.H
Quantity:28Pcs
Cam Nut



No.J
Quantity:14Pcs
Dowel



No.K
Quantity:6Pcs
Connect Metal Sheet



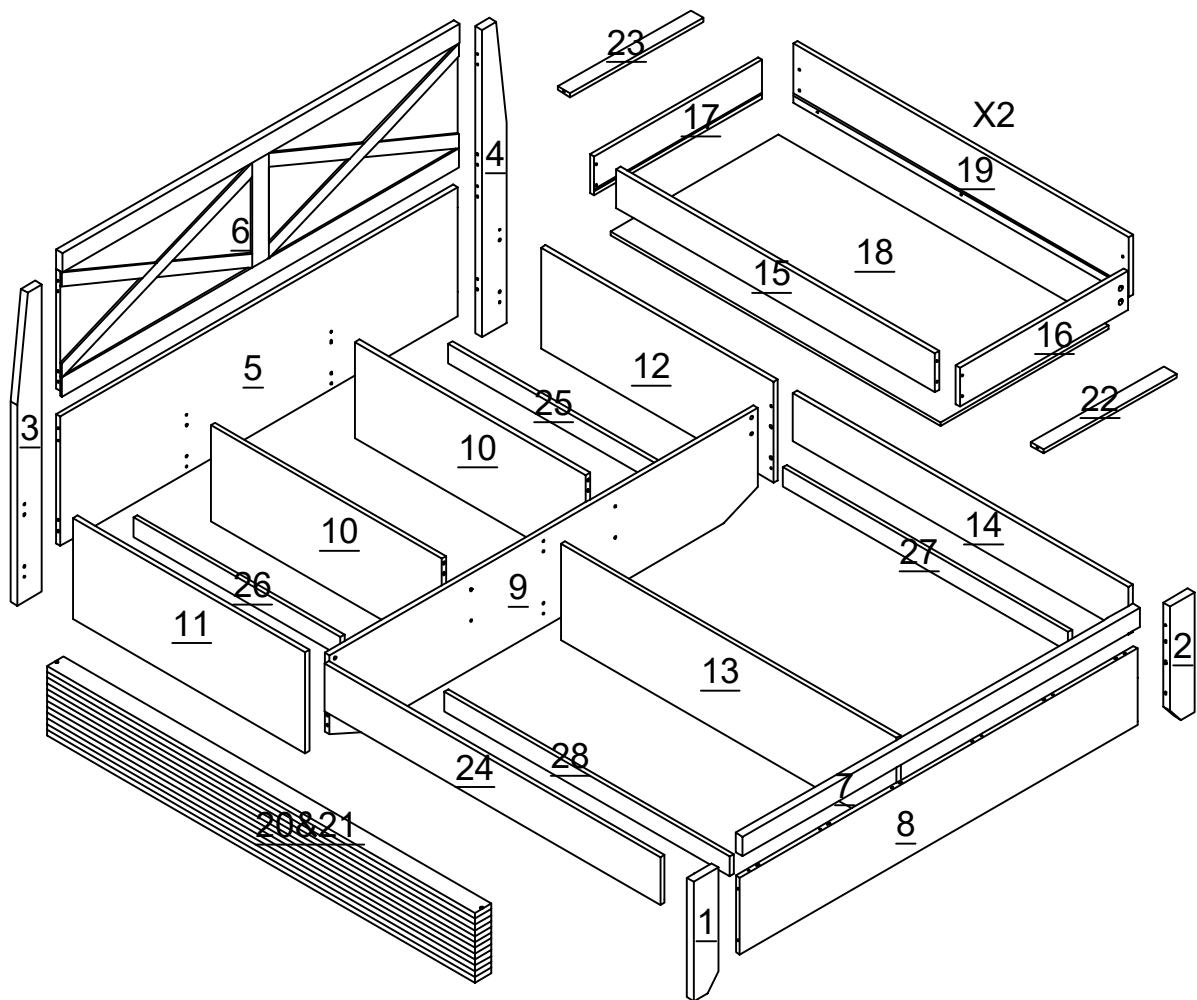
No.L
Quantity:4Pcs
Angle Iron



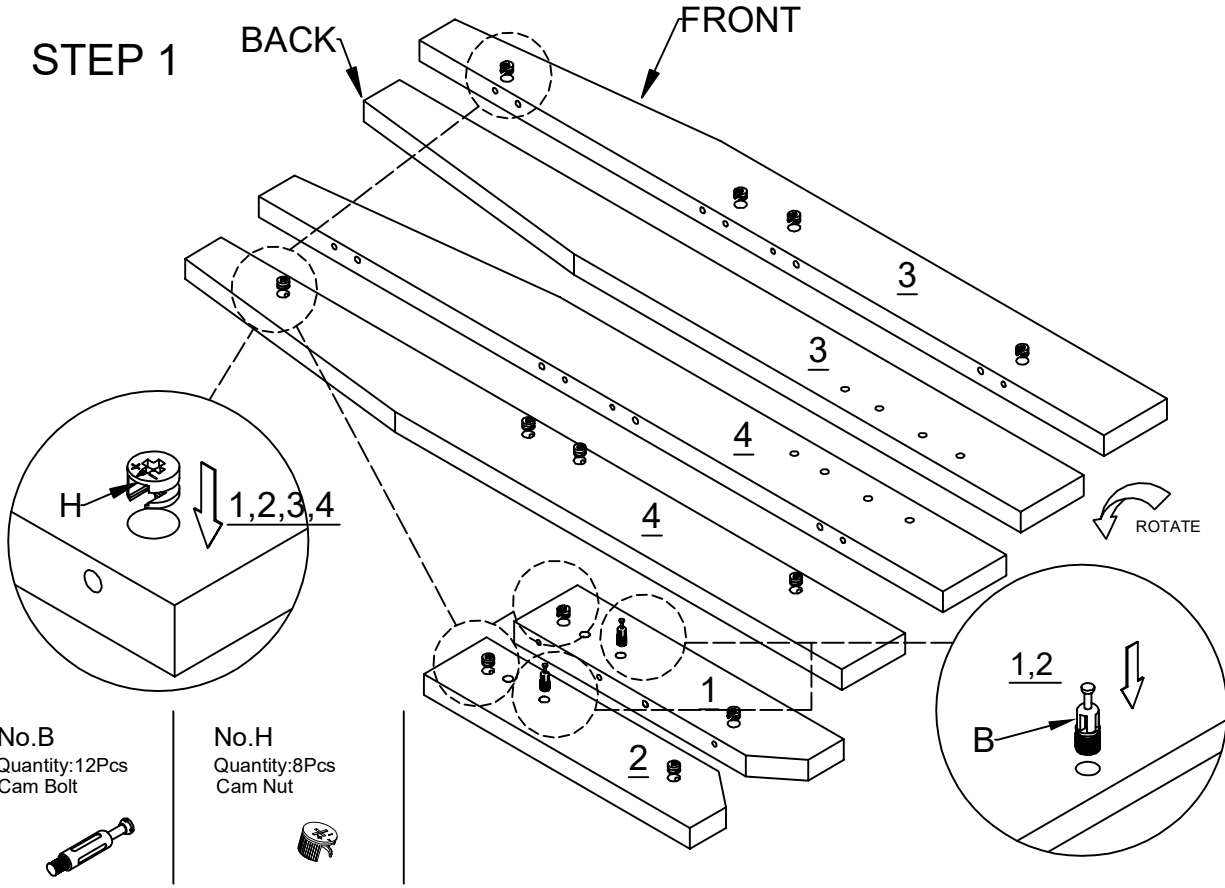
Components Panels & Part List

Please check you have all the panels
are listed below.

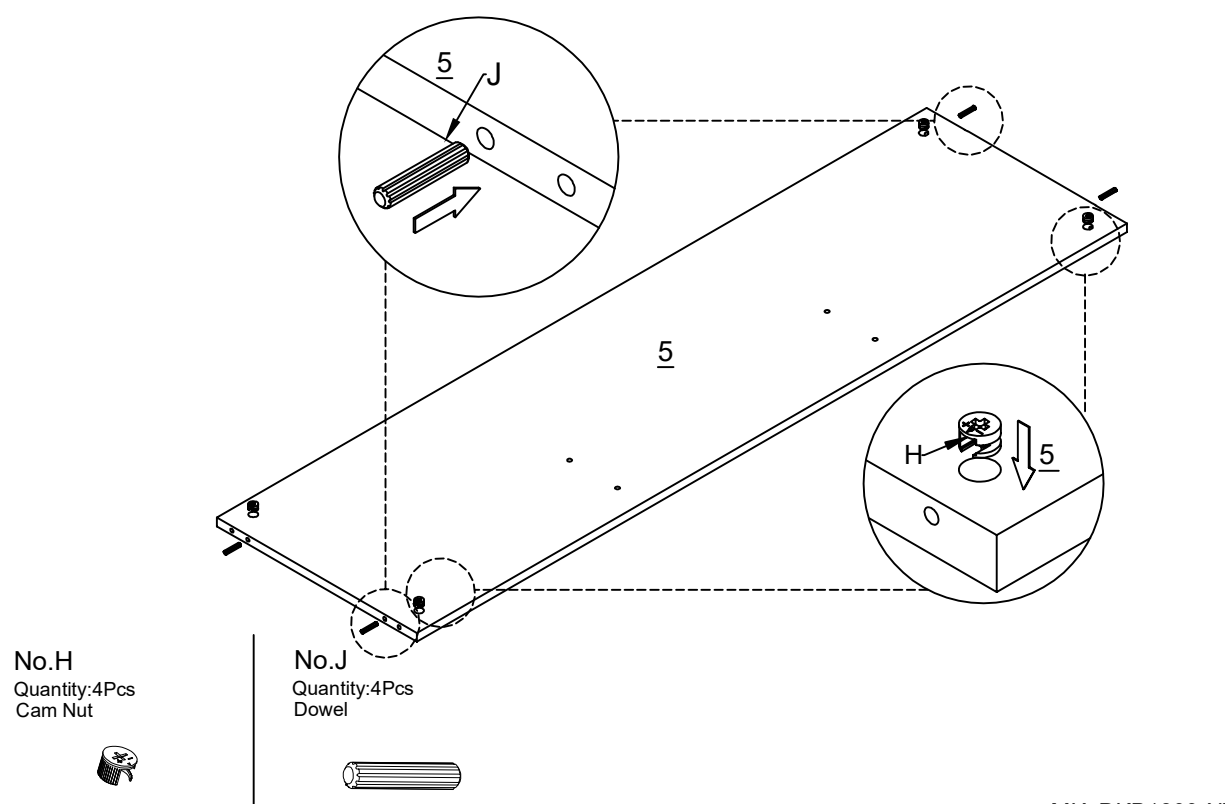
1. Small pillar leg_L-----x1	CTN2/3	15. Drawer back -----x2	CTN2/3
2. Small pillar leg_R-----x1	CTN2/3	16. Drawer side left-----x2	CTN1/3
3. Large pillar leg_L-----x1	CTN2/3	17. Drawer side right-----x2	CTN1/3
4. Large pillar leg_R-----x1	CTN2/3	18. Drawer base -----x2	CTN2/3
5. Headboard lower-----x1	CTN1/3	19. Drawer front -----x2	CTN2/3
6. Headboard upper-----x1	CTN1/3	20. Bed slat -----x9	CTN3/3
7. FB top plinth-----x1	CTN3/3	21. Bed slat_hole -----x5	CTN3/3
8. Front board panel-----x1	CTN3/3	22. Dwr base s. rail_1 -----x4	CTN1/3
9. Middle support bed -----x1	CTN3/3	23. Dwr base s. rail_2-----x2	CTN2/3
10. Back centre rail -----x2	CTN2/3	24. Front side rail_L-----x1	CTN1/3
11. Back left side rail-----x1	CTN2/3	25. S Support brace_R-----x1	CTN2/3
12. Back right side rail-----x1	CTN2/3	26. S Support brace_L-----x1	CTN2/3
13. Front centre rail -----x1	CTN1/3	27. L Support brace_R-----x1	CTN2/3
14. Front side rail_R-----x1	CTN1/3	28. L Support brace_L-----x1	CTN2/3



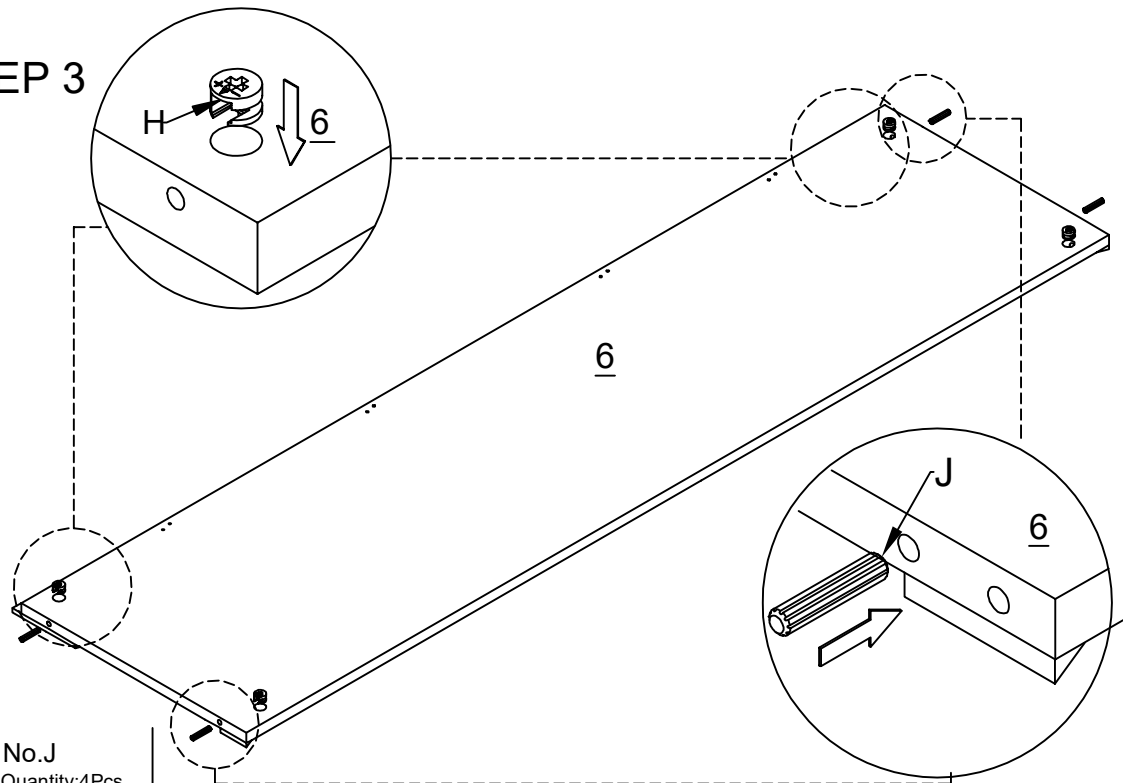
STEP 1



STEP 2



STEP 3



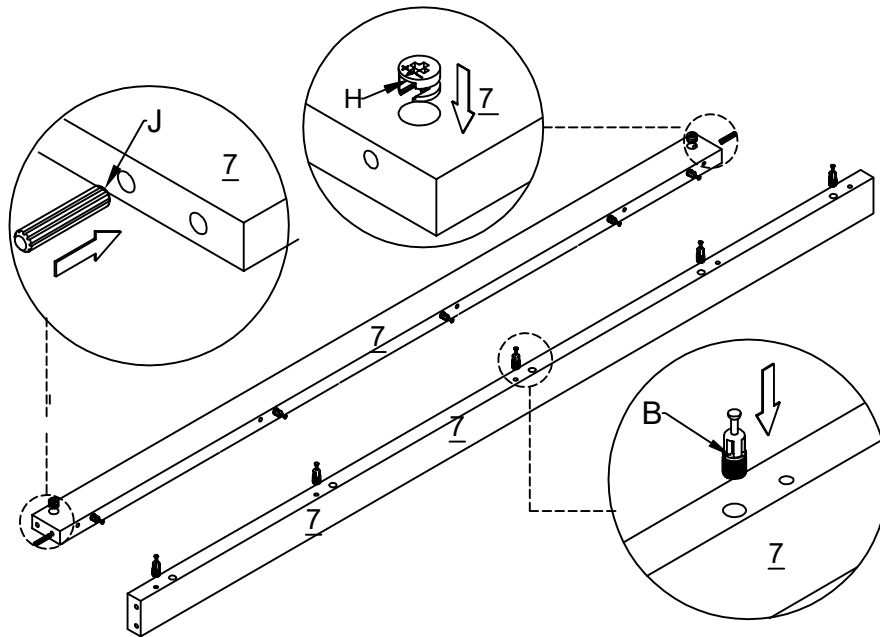
No.H
Quantity:4Pcs
Cam Nut



No.J
Quantity:4Pcs
Dowel



STEP 4



No.B
Quantity:5Pcs
Cam Bolt



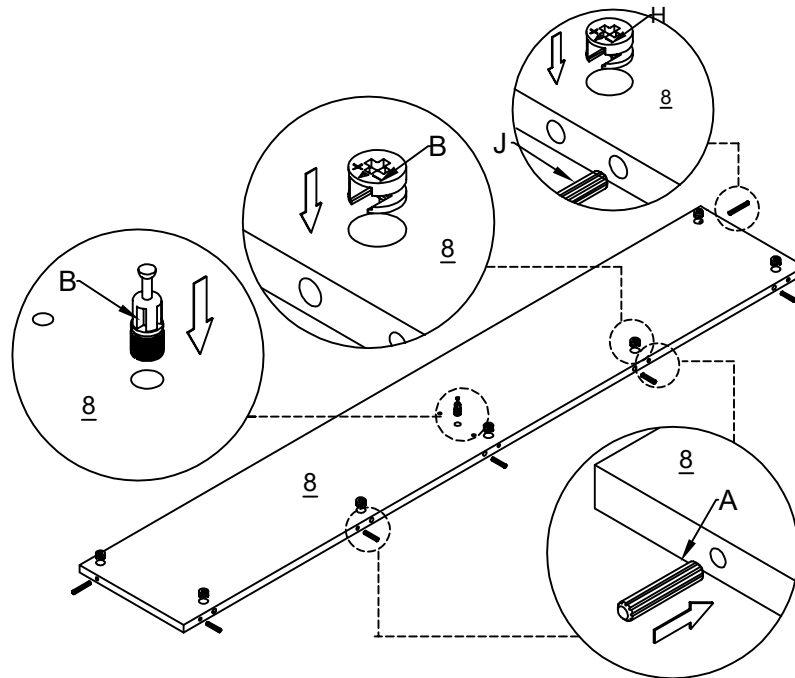
No.H
Quantity:2Pcs
Cam Nut



No.J
Quantity:2Pcs
Dowel



STEP 5



No.A
Quantity:5Pcs
Dowel



No.B
Quantity:1Pcs
Cam Bolt



No.B
Quantity:5Pcs
Cam Nut



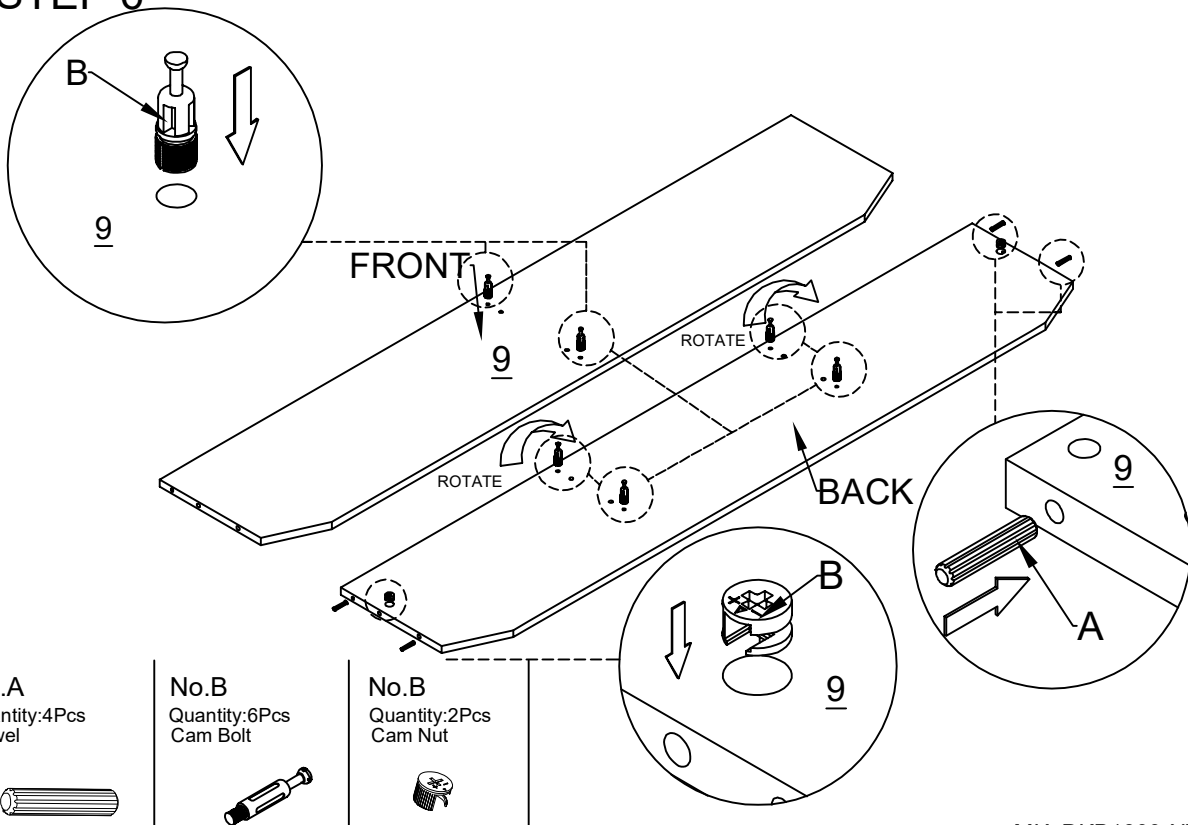
No.H
Quantity:2Pcs
Cam Nut



No.J
Quantity:2Pcs
Dowel



STEP 6



No.A
Quantity:4Pcs
Dowel



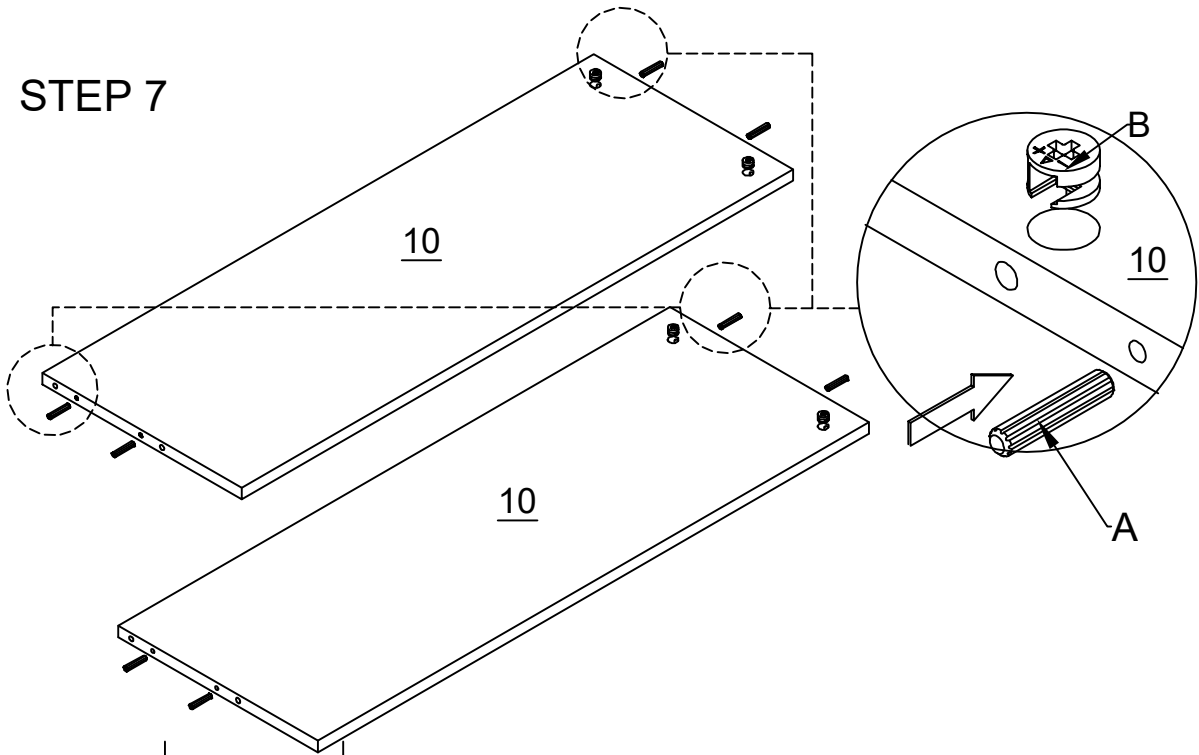
No.B
Quantity:6Pcs
Cam Bolt



No.B
Quantity:2Pcs
Cam Nut



STEP 7



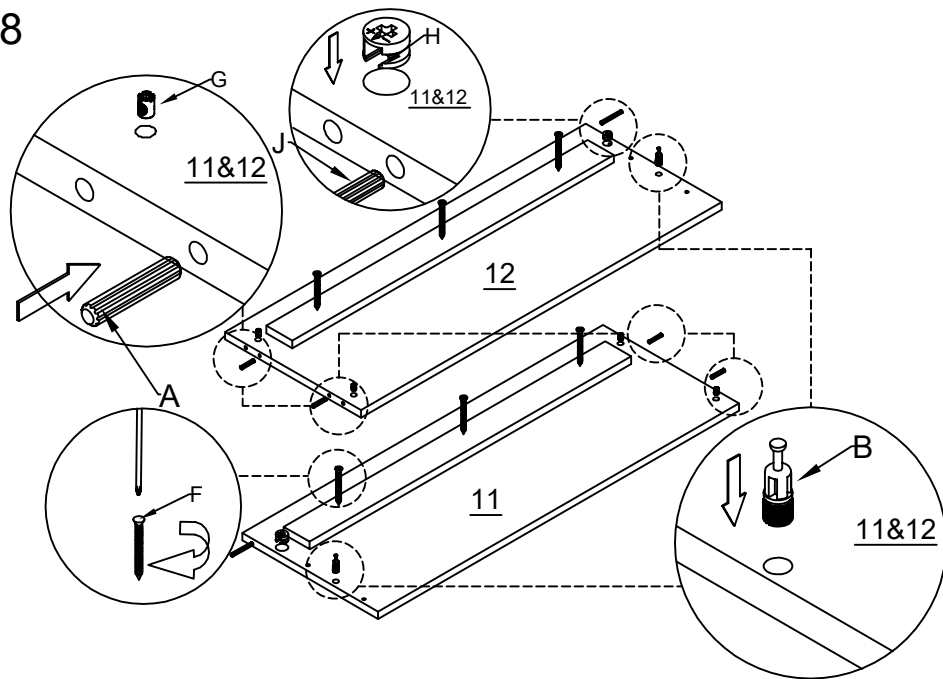
No.A
Quantity:8Pcs
Dowel



No.B
Quantity:4Pcs
Cam Nut



STEP 8



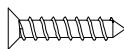
No.A
Quantity:4Pcs
Dowel



No.B
Quantity:2Pcs
Cam Bolt



No.F
Quantity:6Pcs
Screw M3.5*25mm



No.G
Quantity:4Pcs
Plastic Hammer Head Screw



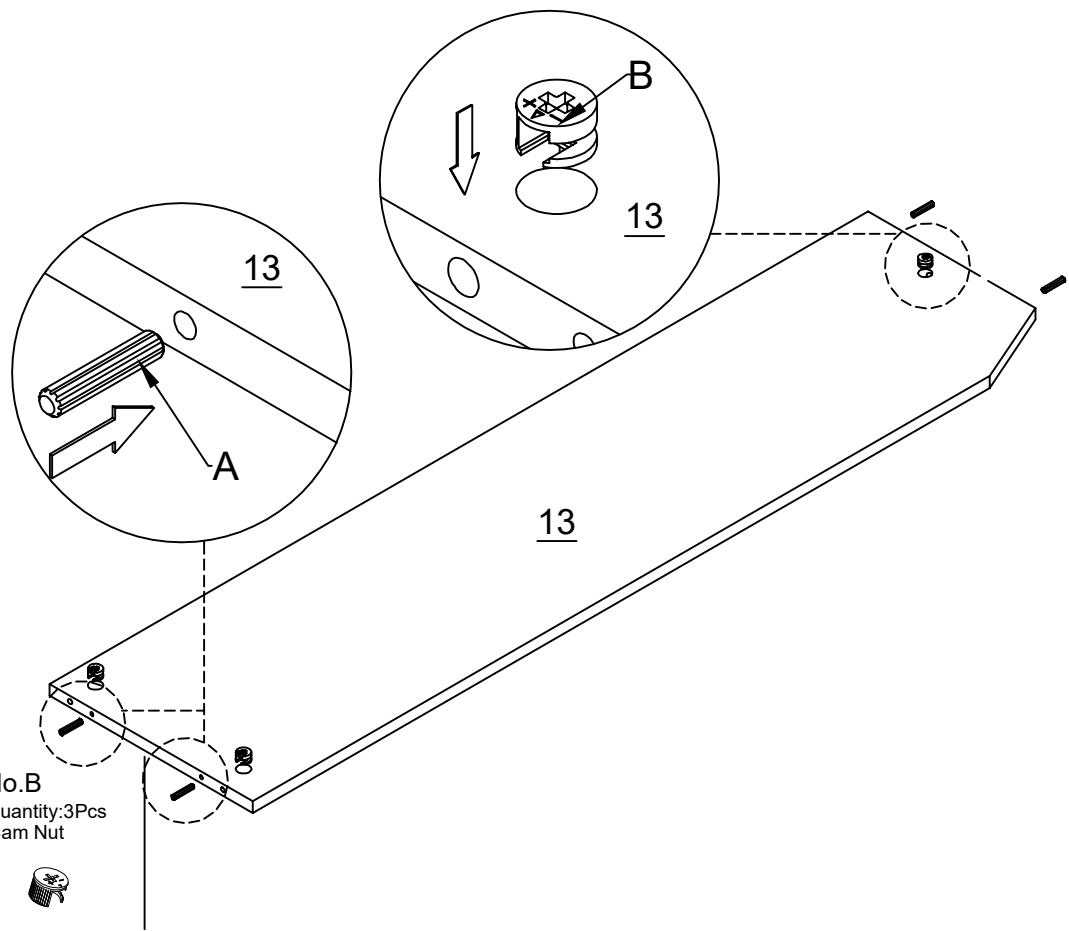
No.H
Quantity:2Pcs
Cam Nut



No.J
Quantity:2Pcs
Dowel



STEP 9



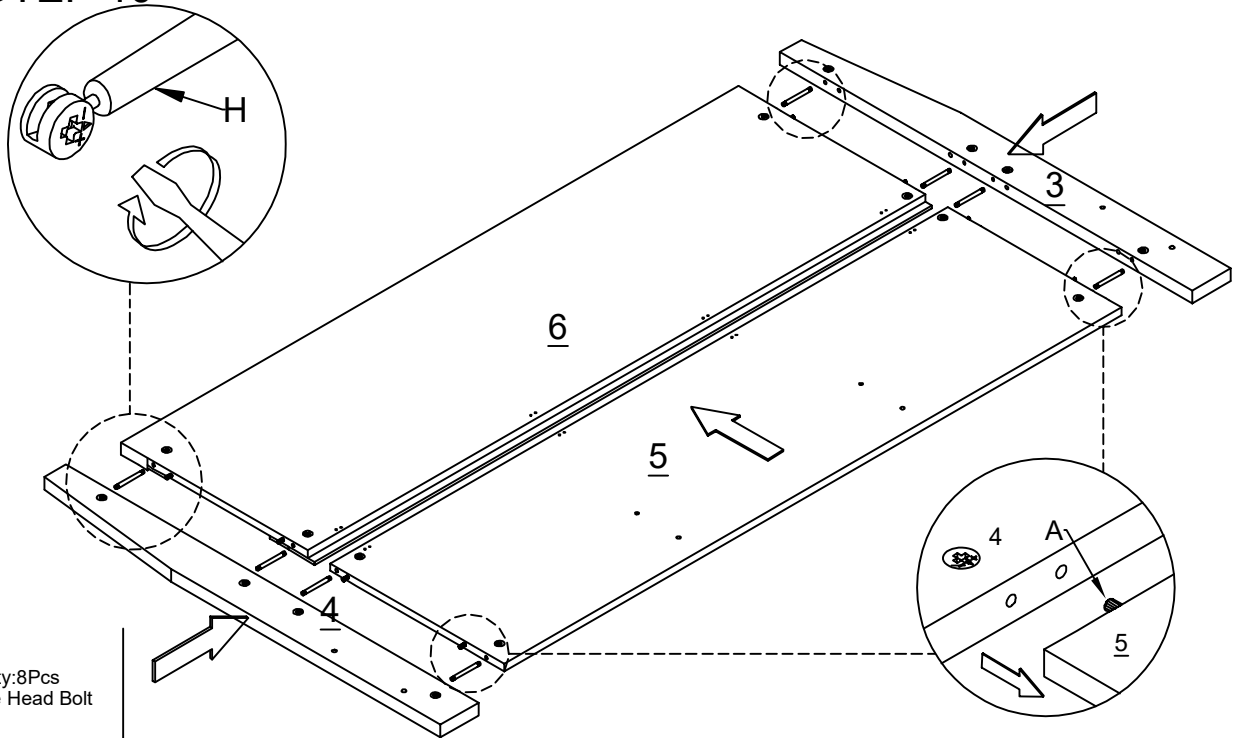
No.A
Quantity:4Pcs
Dowel



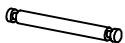
No.B
Quantity:3Pcs
Cam Nut



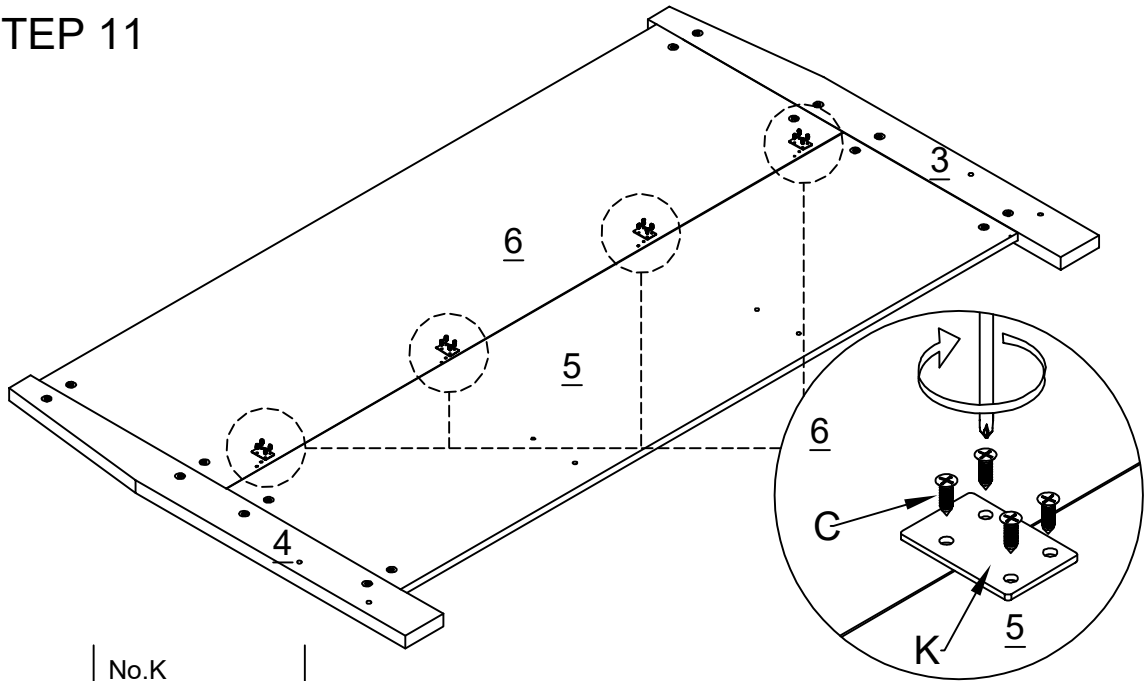
STEP 10



No.H
Quantity:8Pcs
Double Head Bolt



STEP 11



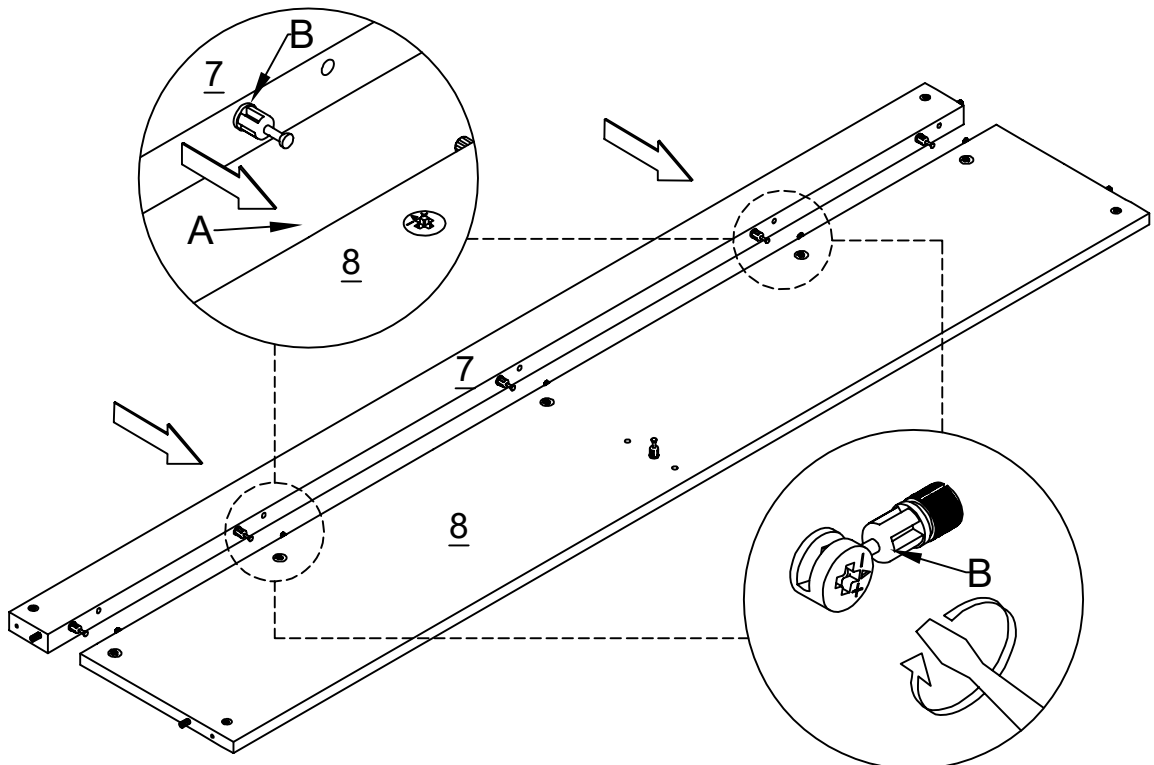
No.C
Quantity:16Pcs
Screw M3.5*14mm



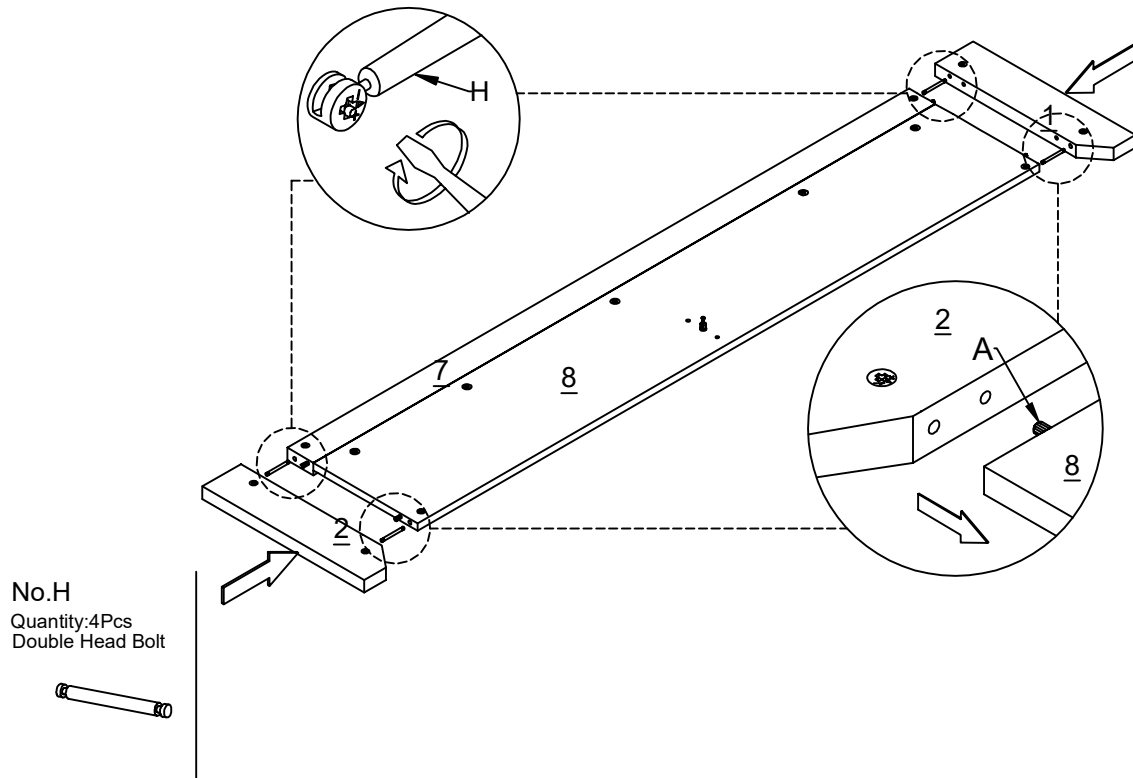
No.K
Quantity:4Pcs
Connect Metal Sheet



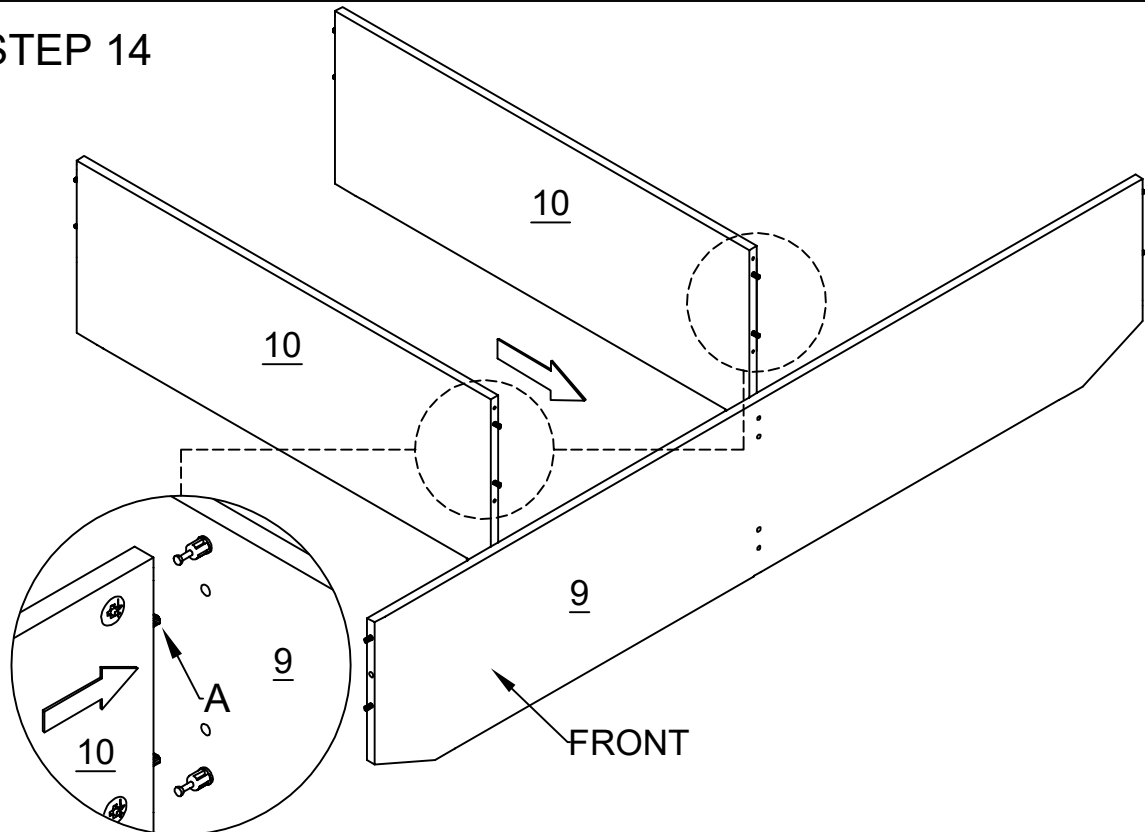
STEP 12



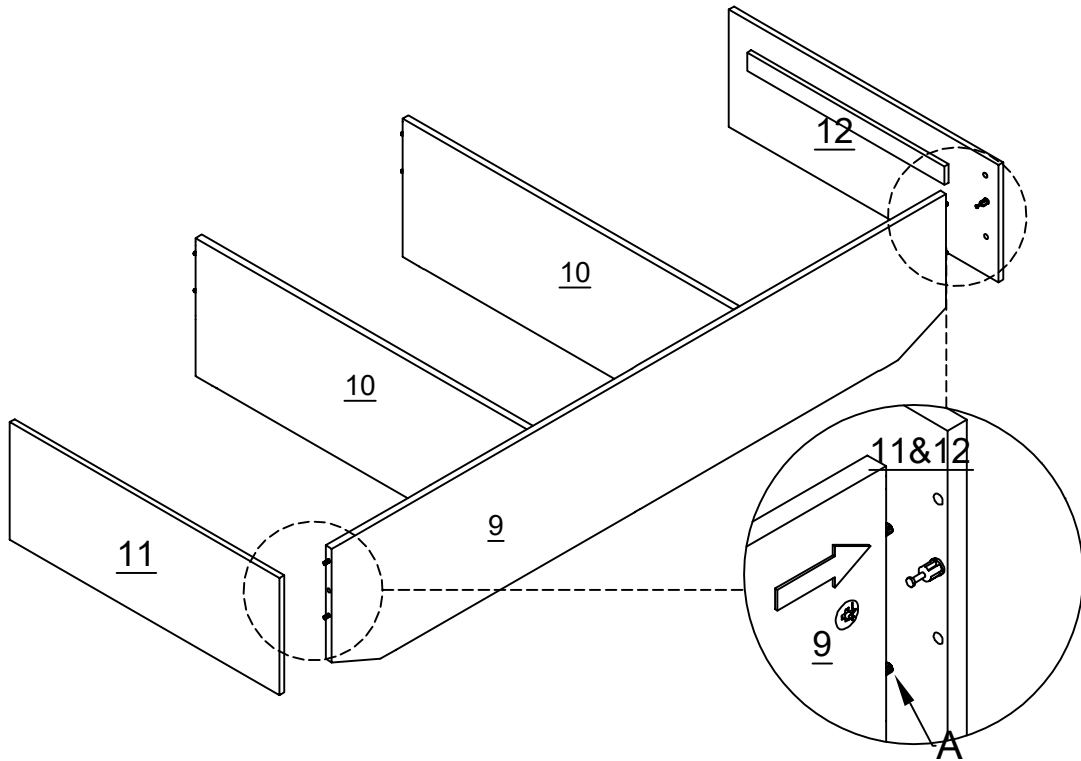
STEP 13



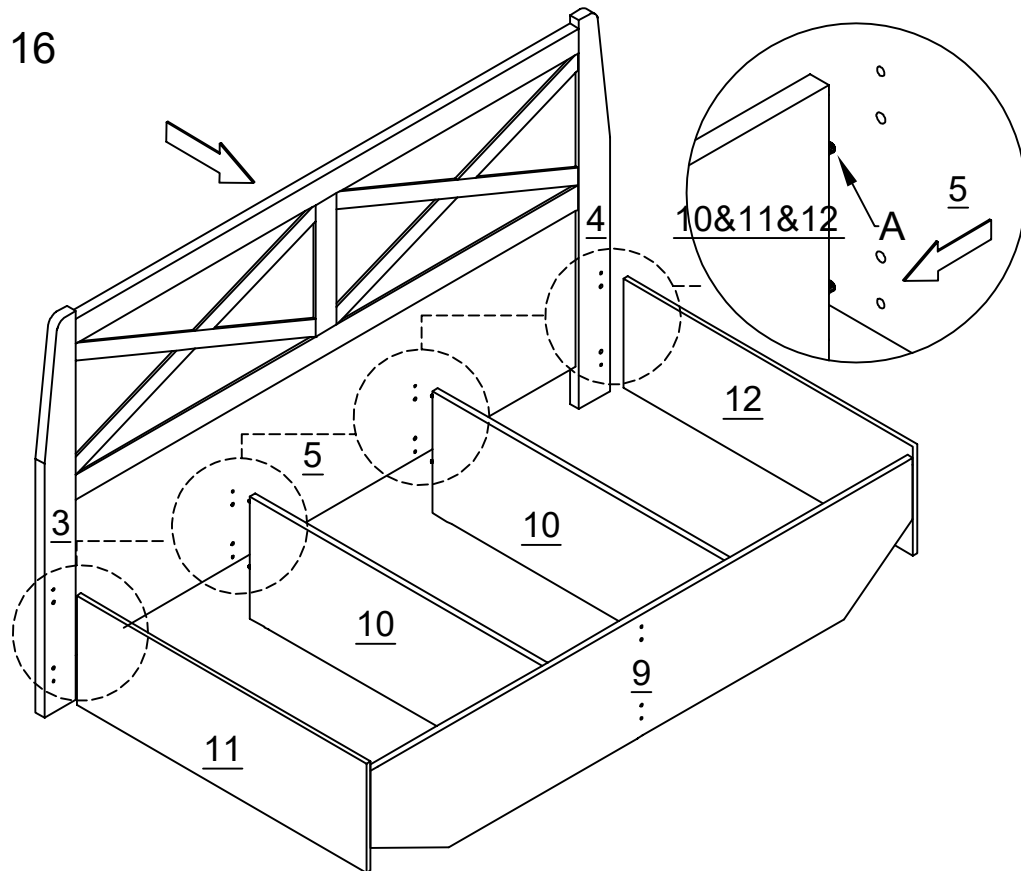
STEP 14



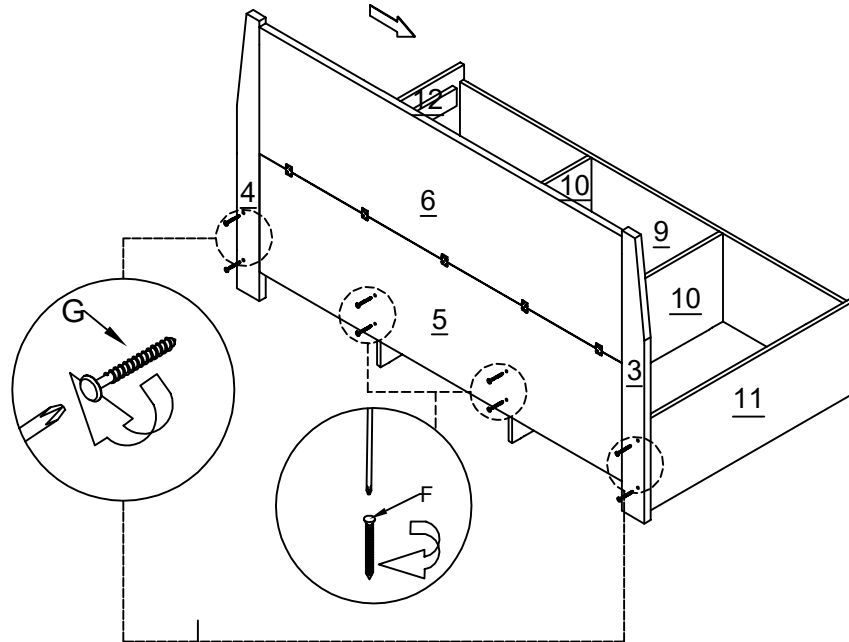
STEP 15



STEP 16



STEP 17



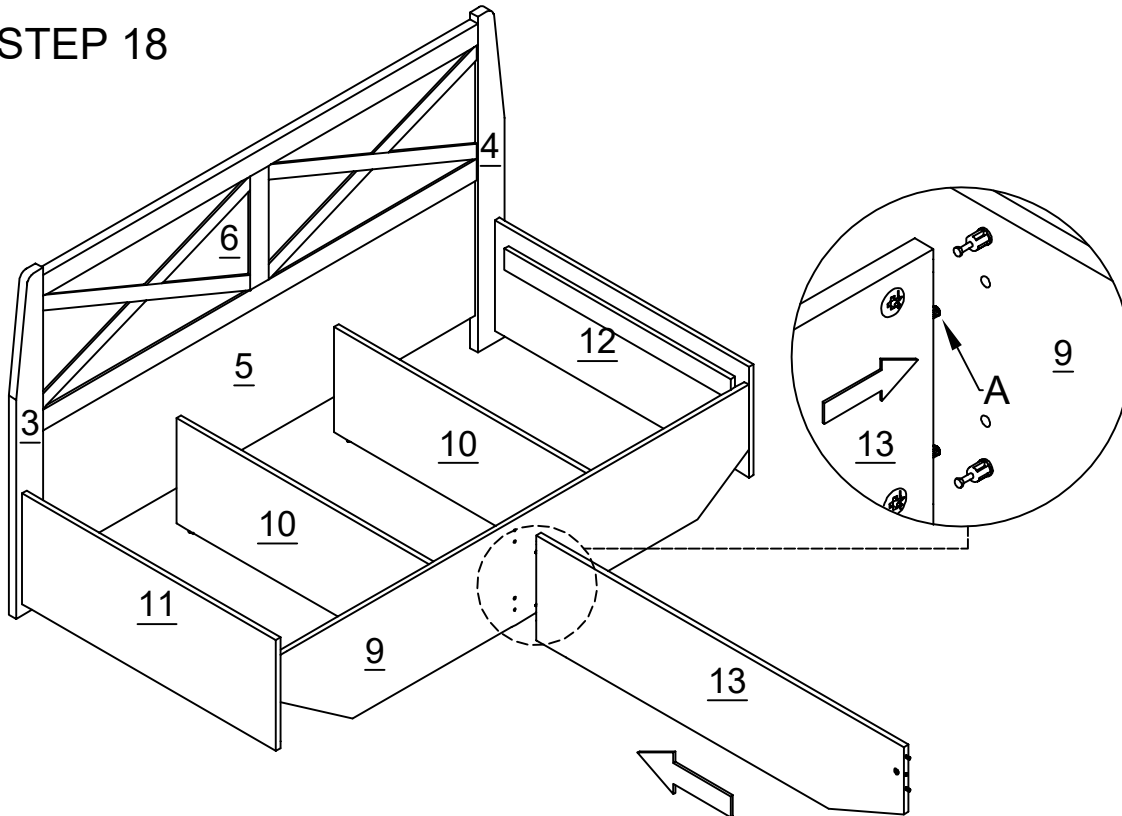
No.D
Quantity:4Pcs
Screw M3.5*35mm



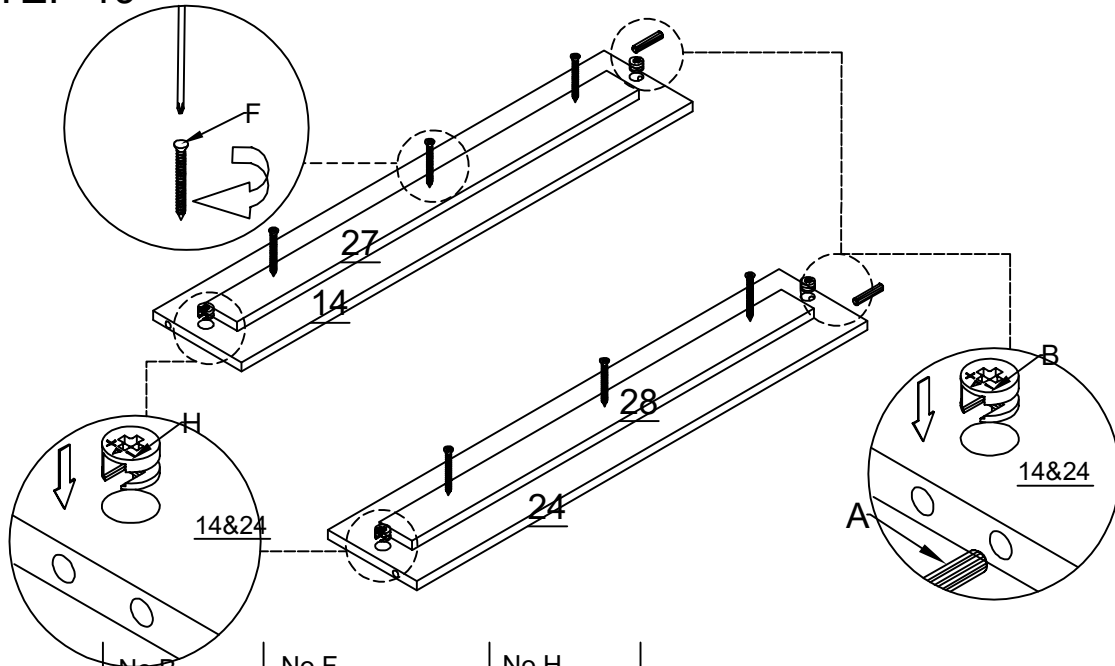
No.G
Quantity:4Pcs
Plastic Hammer Head Screw



STEP 18



STEP 19



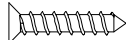
No.A
Quantity:2Pcs
Dowel



No.B
Quantity:2Pcs
Cam Nut



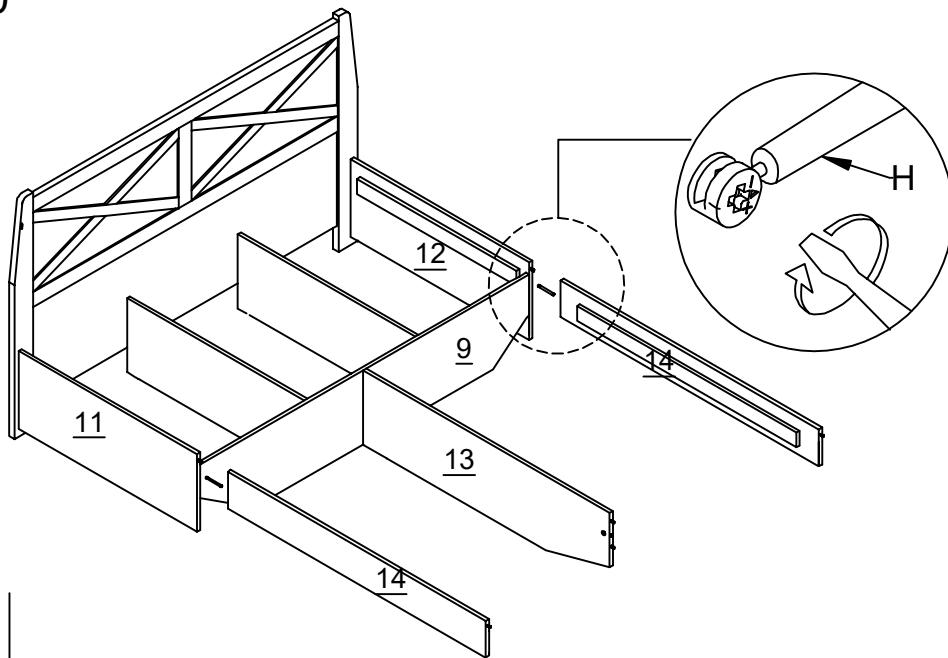
No.F
Quantity:6Pcs
Screw M3.5*25mm



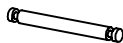
No.H
Quantity:2Pcs
Cam Nut



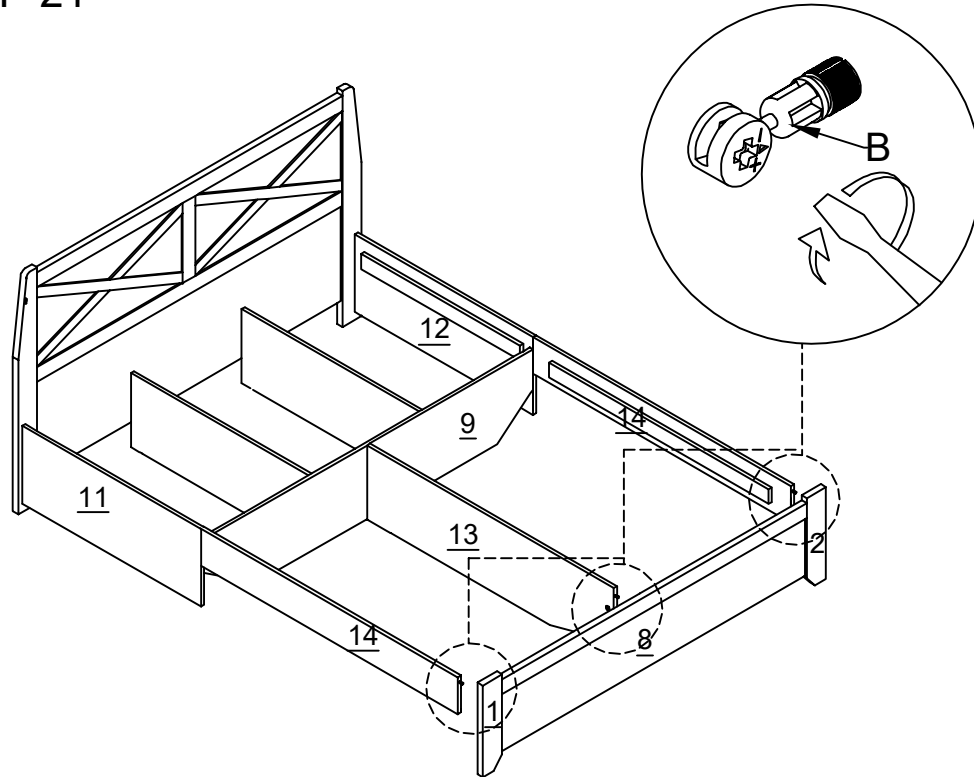
STEP 20



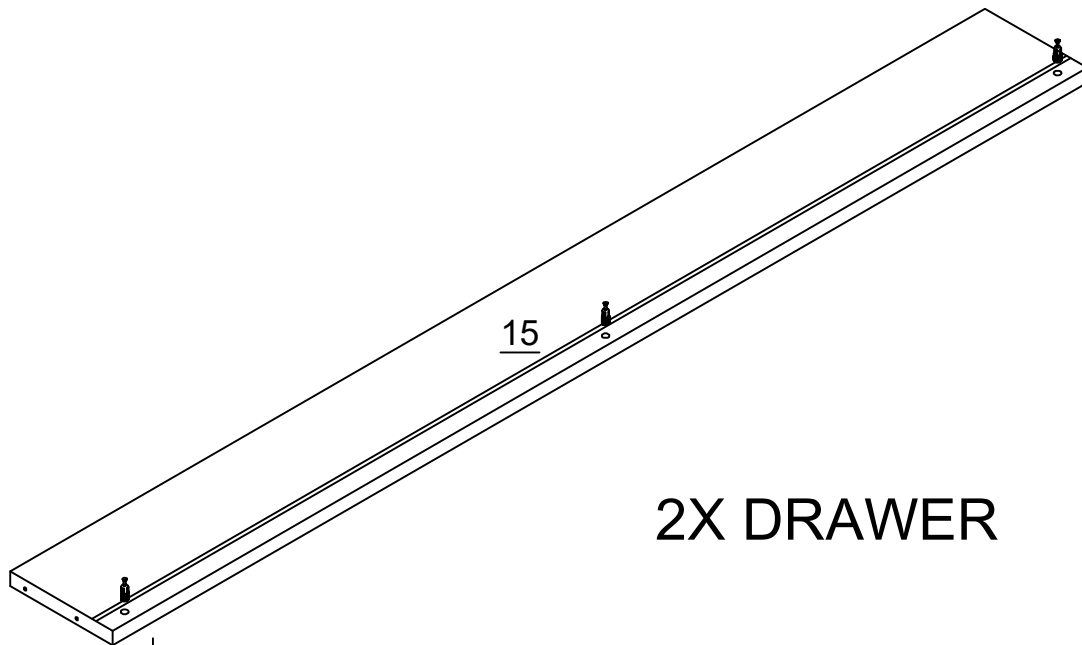
No.H
Quantity:2Pcs
Double Head Bolt



STEP 21



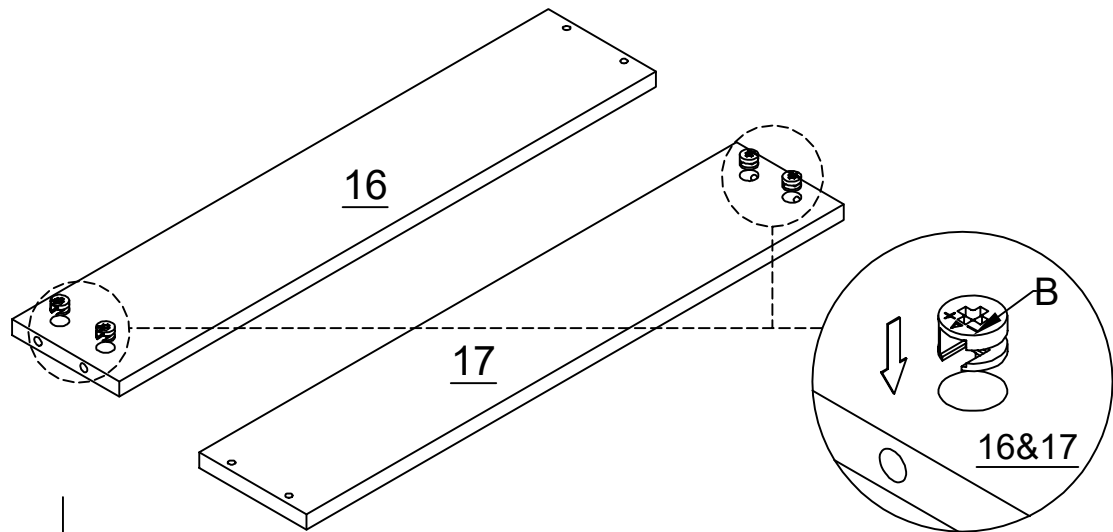
STEP 22



No.B
Quantity:6Pcs
Cam Bolt



STEP 23

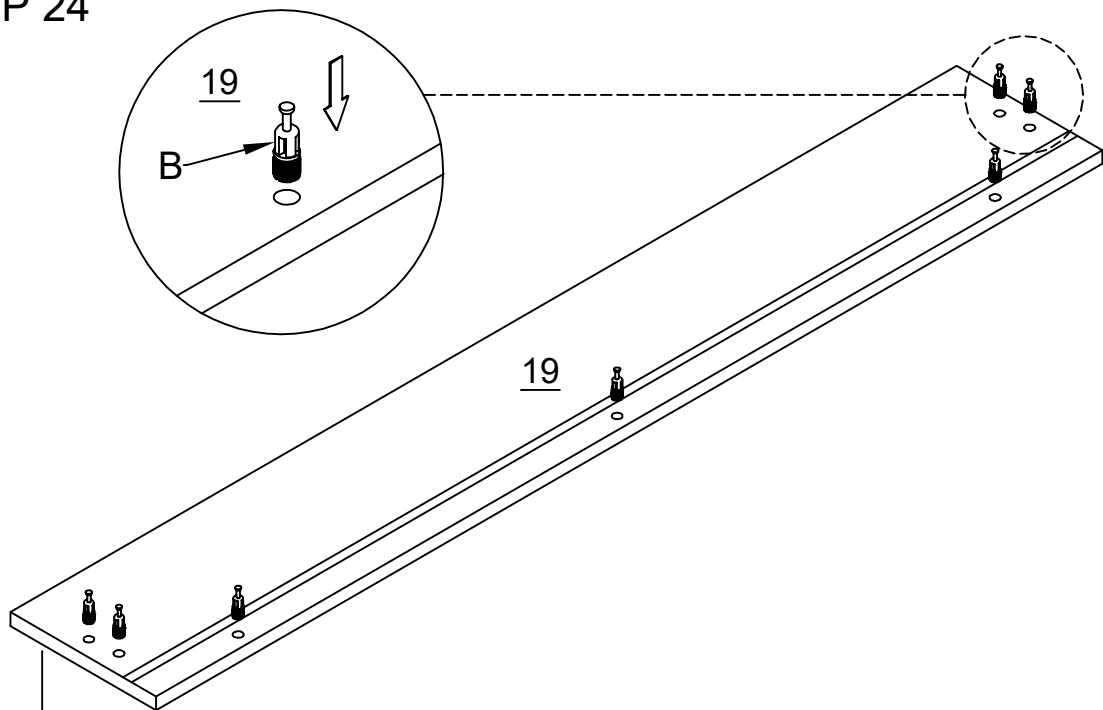


No.B
Quantity:8Pcs
Cam Nut



2X DRAWER

STEP 24

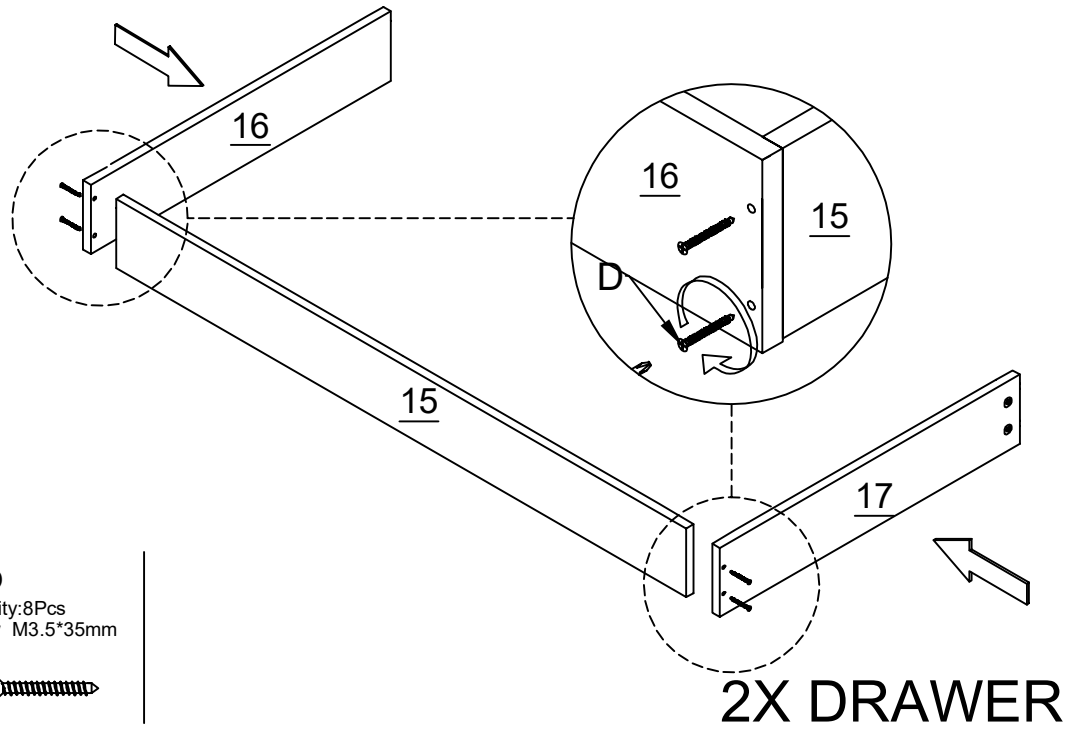


No.B
Quantity:14Pcs
Cam Bolt

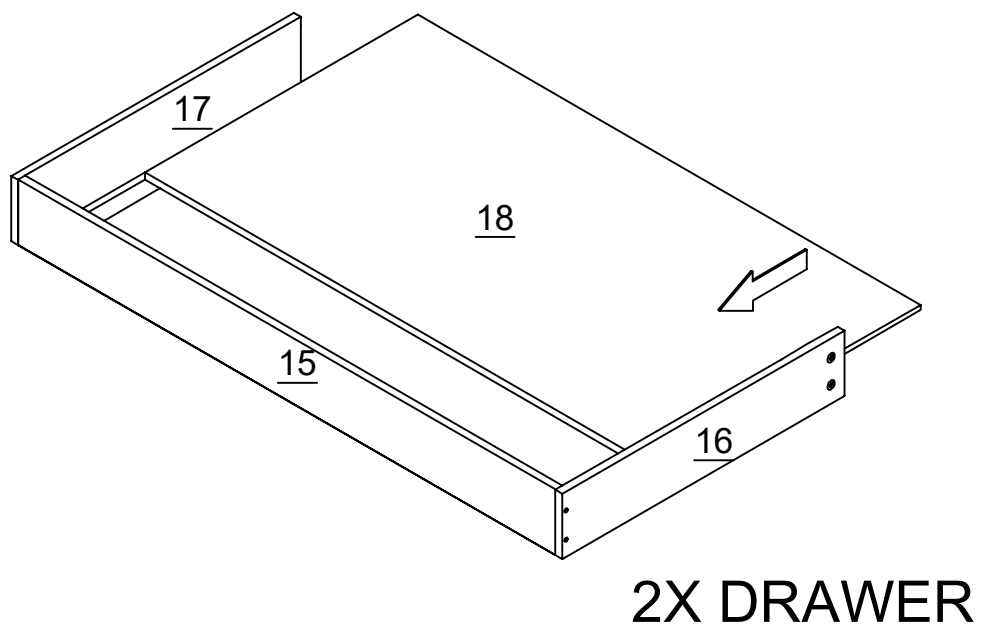


2X DRAWER

STEP 25

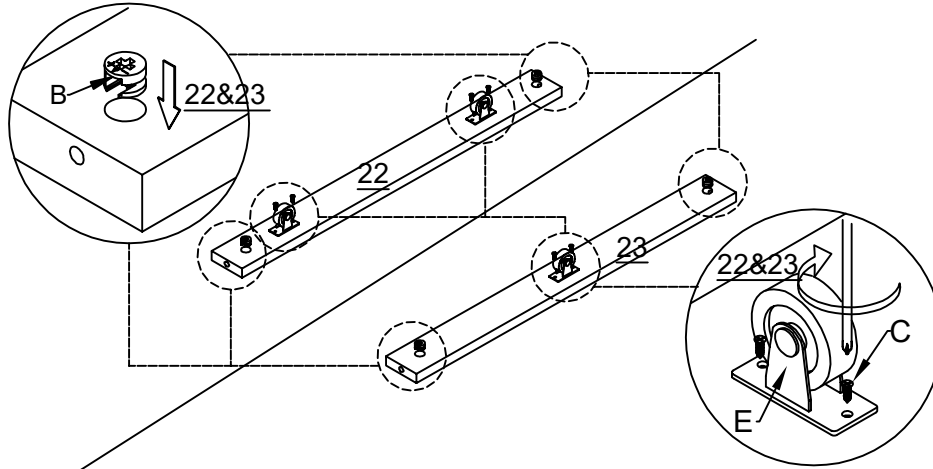


STEP 26



STEP 27

4X DRAWER



No.B
Quantity:12Pcs
Cam Nut



No.C
Quantity:20Pcs
Screw M3.5*14mm

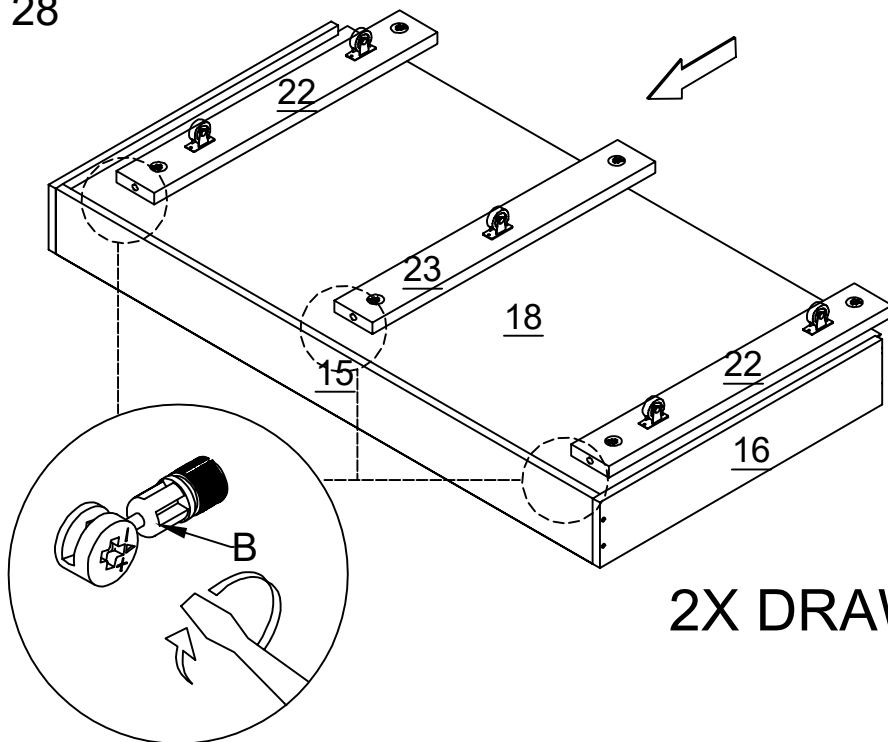


No.E
Quantity:10Pcs
Wheel Drawer



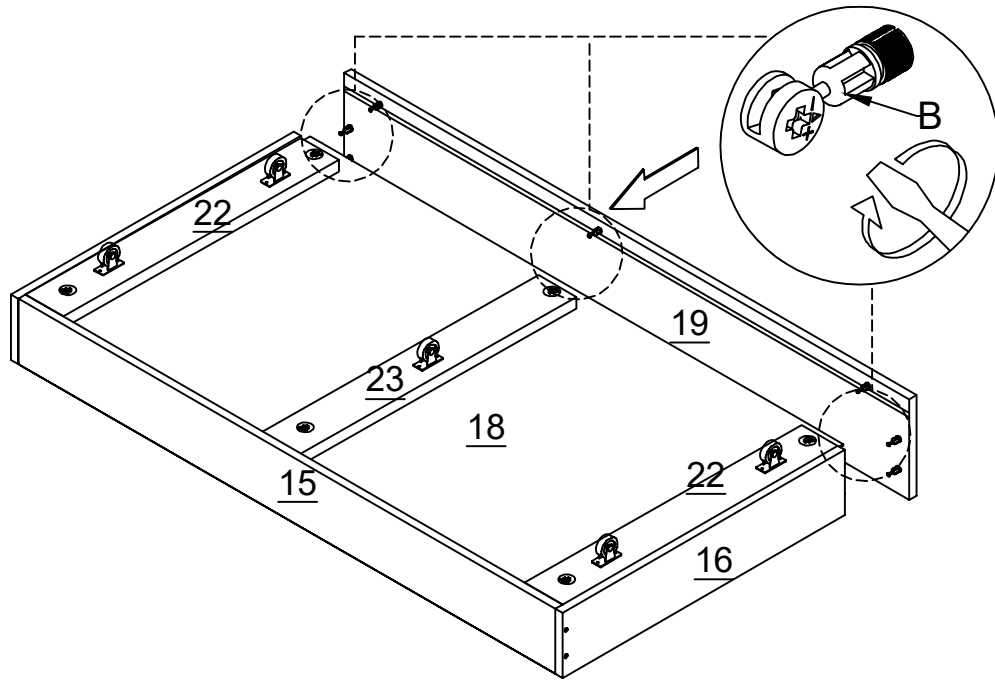
2X DRAWER

STEP 28



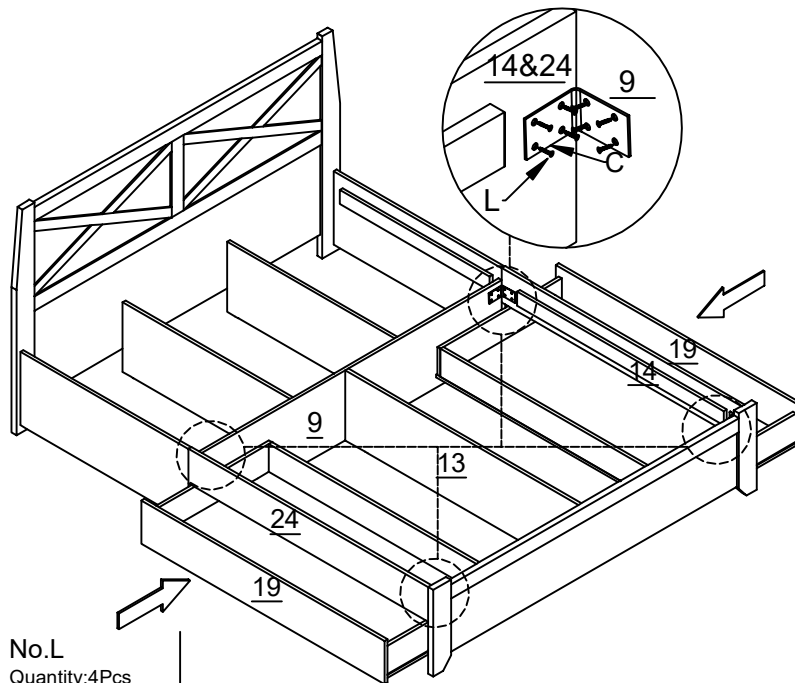
2X DRAWER

STEP 29



2X DRAWER

STEP 30



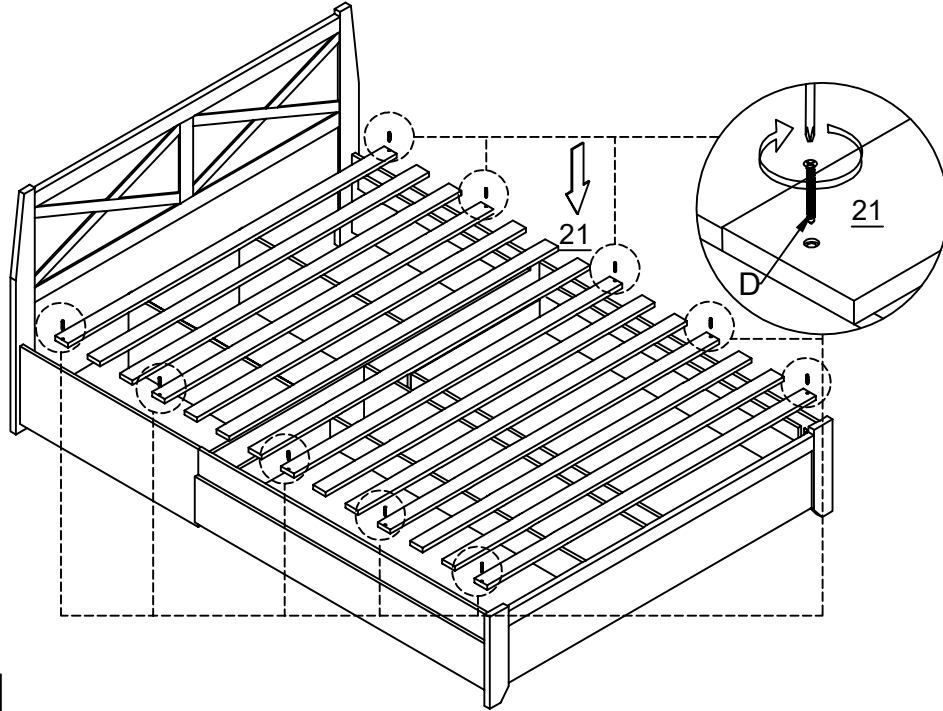
No.C
Quantity:32Pcs
Screw M3.5*14mm



No.L
Quantity:4Pcs
Angle Iron



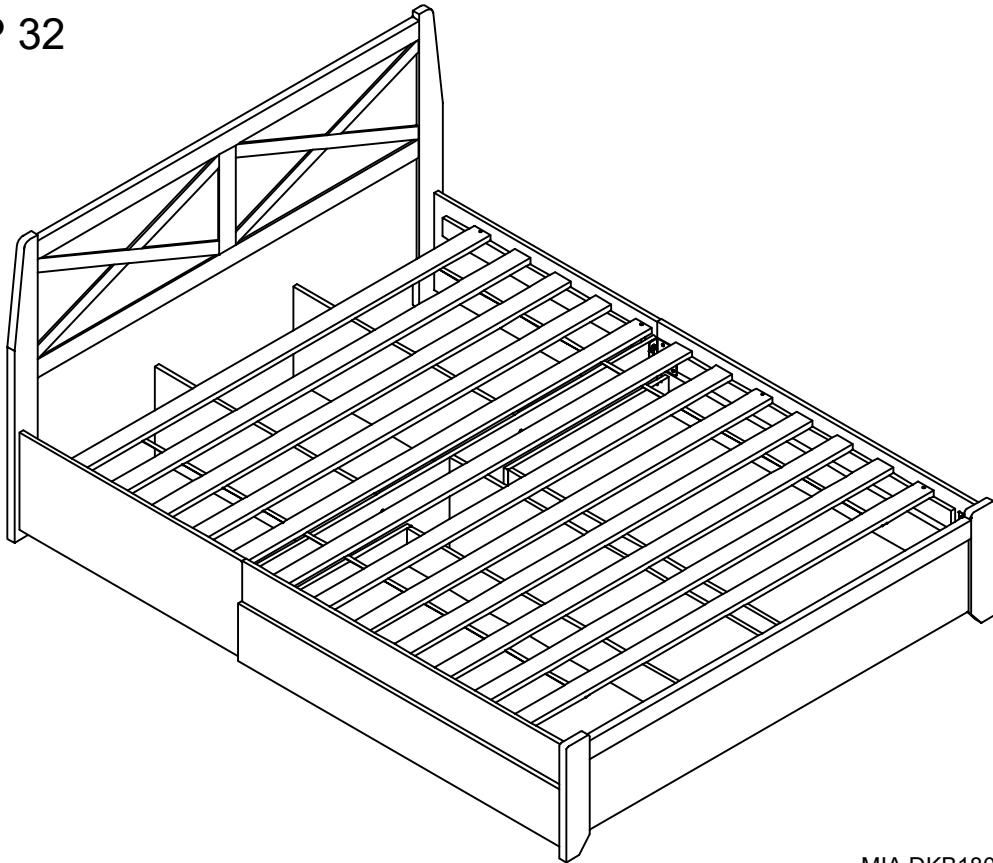
STEP 31



No.D
Quantity:10Pcs
Screw M3.5*35mm



STEP 32



MIA DKB1800-NT / 21

lifely.com.au

Great Job, You're done!

Don't forget to share how it looks in
your space and tag us on Instagram.

@lifelyhome#homewithlifely!