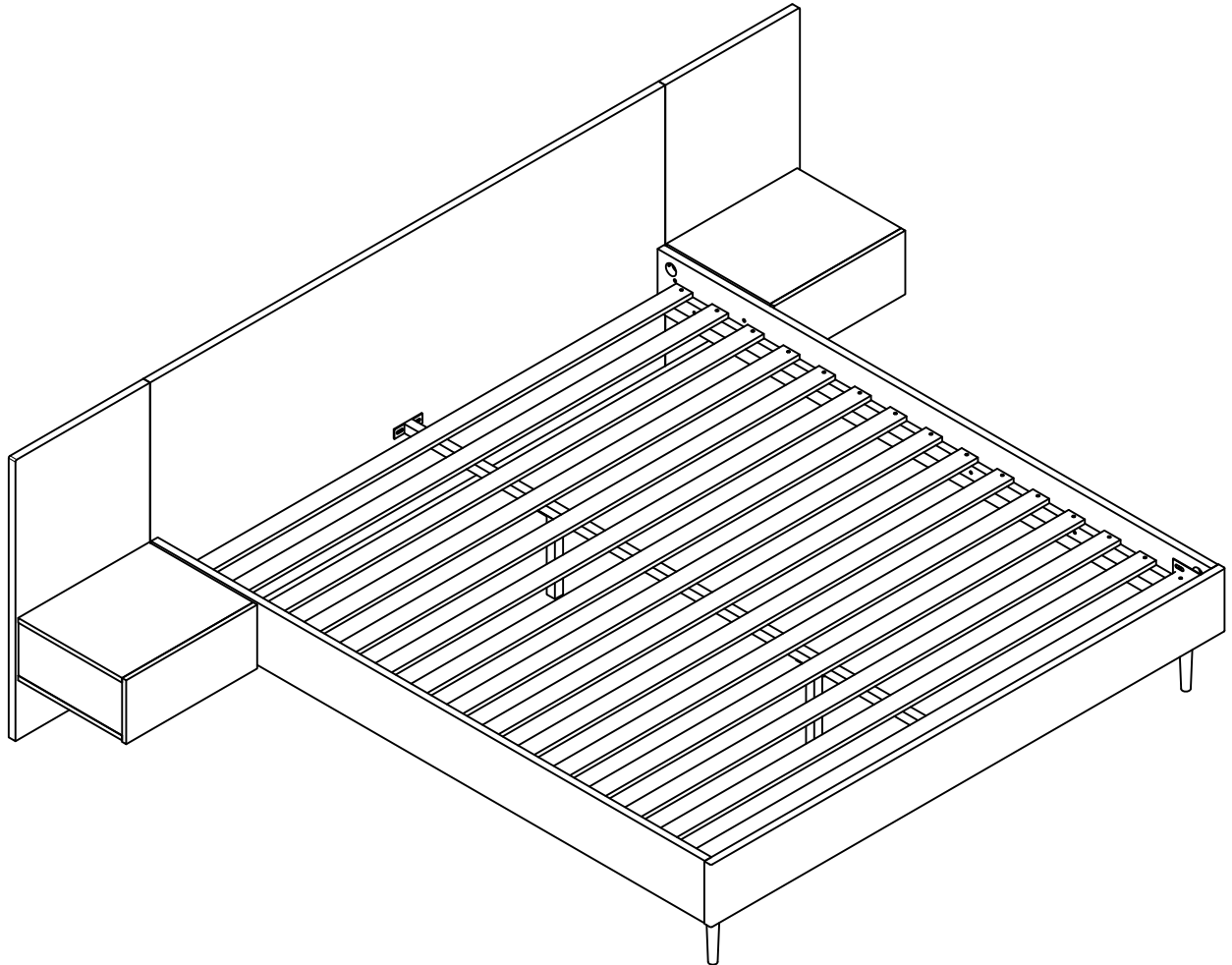


Assembly Instructions

Eve Series



Lifely*

Product Code

EVE-BF-Q/EVE-BF-K Eve Queen / King Bed

Dimensions(W x D x H)

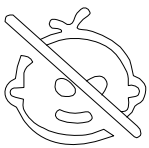
2604*2100*900mm / 2904*2100*900mm

Important

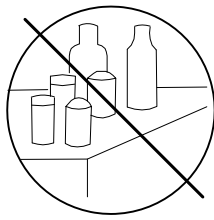
Please read through instruction carefully
Before assembly and keep for future reference.

For our full catalogue of assembly instructions,
Visit: lifely.com.au/assembly.

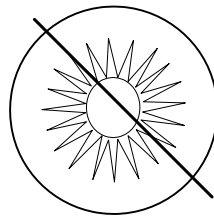
Important Tips and Maintenance



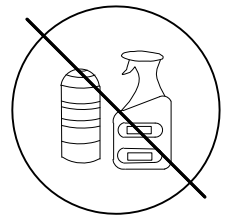
1. Keep children and animals away from working area as smaller parts may cause choking if swallowed.



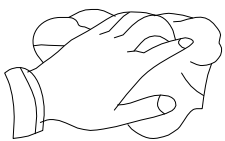
2. Never place liquids or anything damp upon furniture as it will mark. Ensure a coaster or running is beneath.



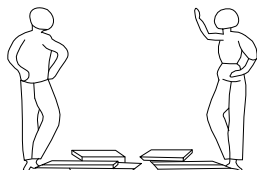
3. To avoid fading, keep furniture out of direct sunlight.



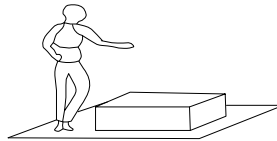
4. Never use ammonia based cleaning products as it will damage the finish.



5. Use a soft or dry cloth when wiping or cleaning surfaces.



6. Two person are required.



7. Lay a soft matt down to protect the furniture piece before and during assembly.

So your relationship is strong. But is it flat-pack furniture strong? Unless you're an aerospace engineer, assembling furniture can be slightly stressful. We recommend meditating quietly, pouring yourself a herbal tea (or slightly less herbal wine) and tackling things one step at a time. If you feel a passive aggressive remark coming on, try a compliment instead. E.g. "You're so good looking."

This 14-step assembly should take around 55 minutes with an Allen key - or 39 minutes with an electric drill.

Designed for everyday

Component Hardware are in box 1
 Please check you have all the fittings
 part or tools are listed in below.

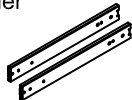
No. A
 Quantity:42 Pcs
 Cam
 Ø15*12mm



No. B
 Quantity:42 Pcs
 Cam Lock Dowel
 Ø7*25



No. C
 Quantity:2 Sets
 L=250mm
 Slider



No. D
 Quantity:40 Pcs
 Screw
 Ø4*35mm



No. E
 Quantity:26 Pcs
 Screw
 Ø3.5*14mm



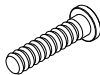
No. F
 Quantity:29 Pcs
 Wooden Dowel
 Ø8*30mm



No. G
 Quantity:4 Pcs
 Screw
 M8*70mm



No. H
 Quantity:12 Pcs
 Screw
 M8*35mm



No. I
 Quantity:30 Pcs
 Screw
 M8*20mm



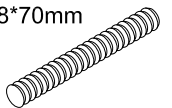
No. J
 Quantity:16 Pcs
 Screw
 Ø4*40mm



No. K
 Quantity:26 PcS
 Nut
 M8



No. L
 Quantity:4 PcS
 Screw Bolt
 M8*70mm



No. M
 Quantity:20 Pcs
 Half Fasten
 Ø8mm



No. N
 Quantity:22 Pcs
 Cover
 Ø50mm



No. O
 Quantity:4 Pcs
 Gasket
 Ø8*7mm



No. P
 Quantity:2 Pcs
 Adjustable Leg
 M6



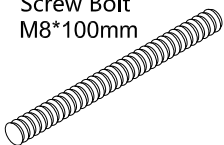
No. Q
 Quantity:2 Pcs
 Adjustable Leg
 M8



No. R
 Quantity:42 PcS
 Cover
 Ø21mm



No. S
 Quantity:6 Pcs
 Screw Bolt
 M8*100mm



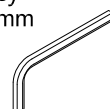
No. T
 Quantity:12 Pcs
 Metal Gasket
 Ø8mm



No. U
 Quantity:1 Pc
 Key



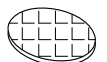
No. V
 Quantity:1 Pc
 Key
 5mm



No. W
 Quantity:2 Pcs
 Spanner



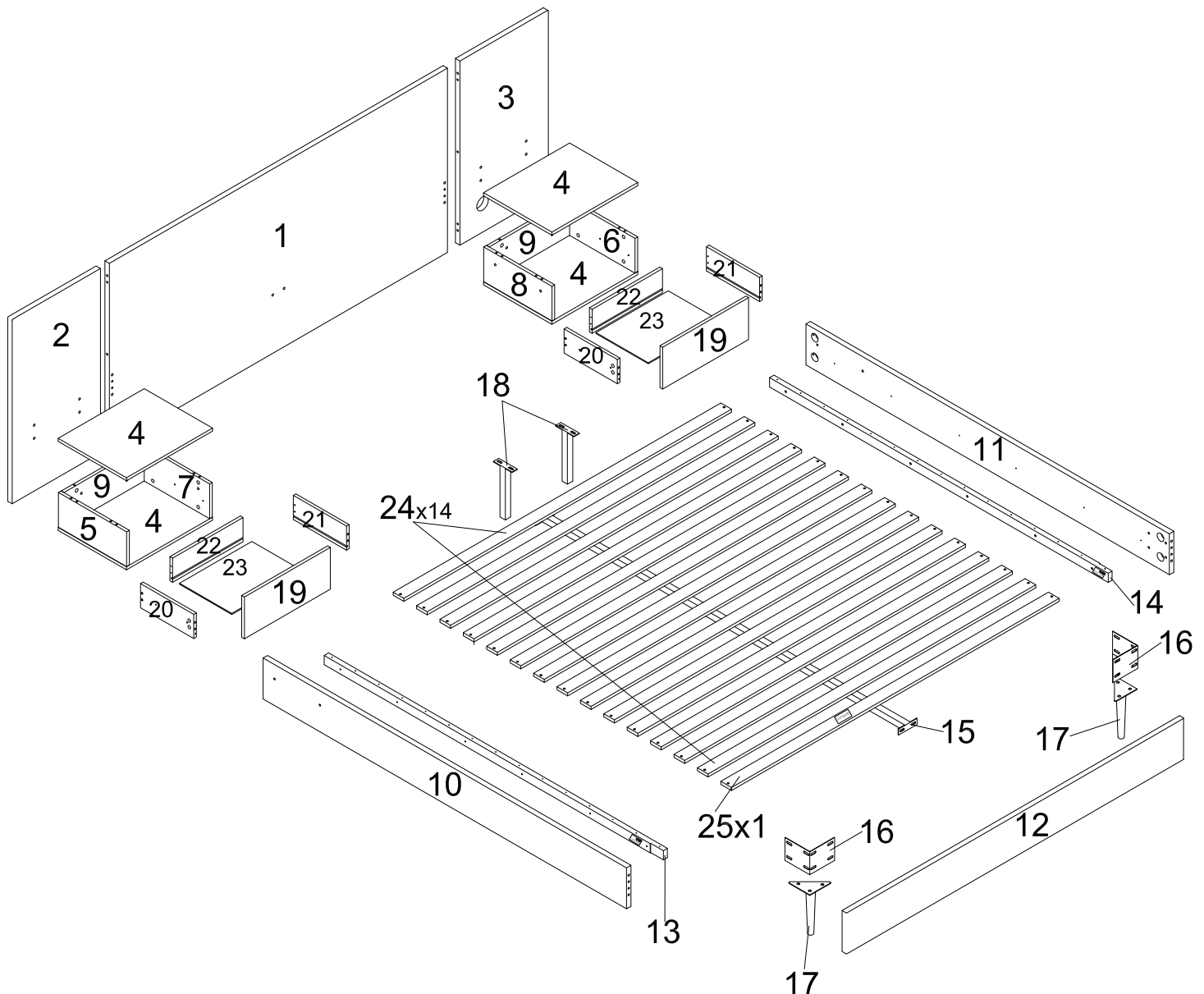
No. X
 Quantity:6 Pcs
 EVA Pad
 Ø25mm



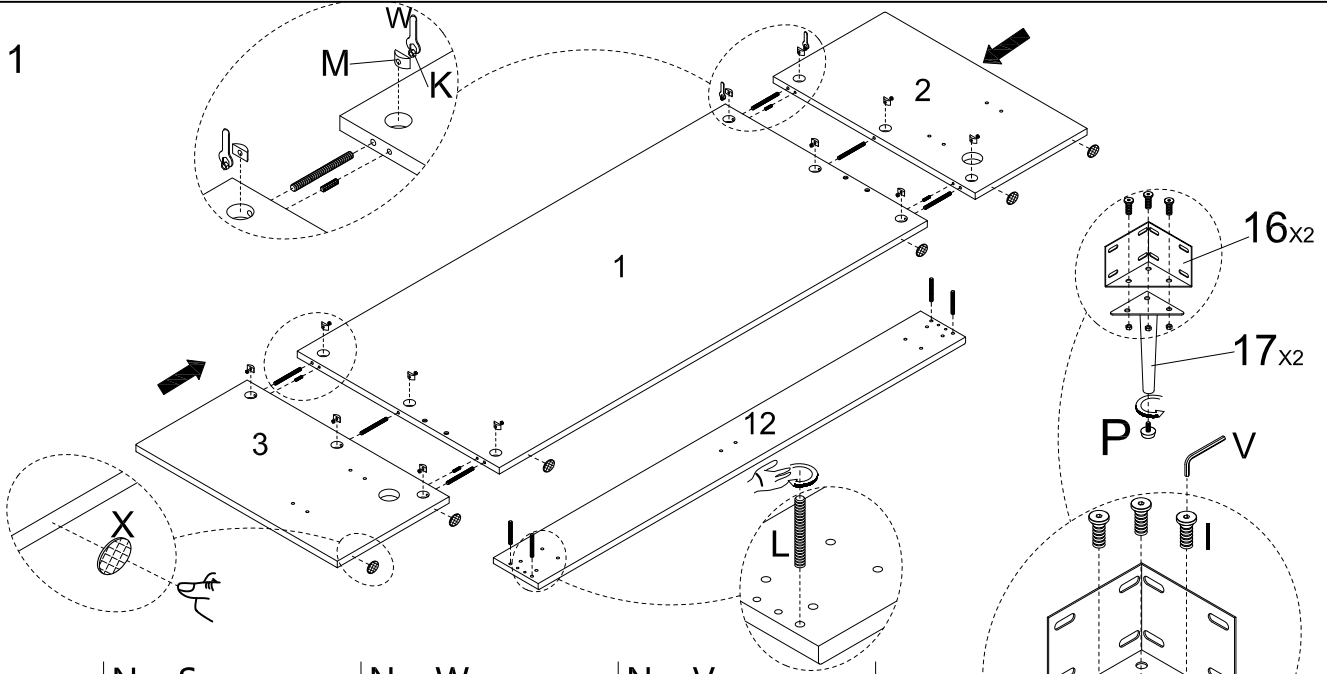
Component Panels & part List

Please check you have all the panels
are listed below.

- | | | | |
|--------------------------------|---------|----------------------------------|---------|
| 1. Headboard-Middle-----x1 | CTN 2/4 | 13. Side Panel Support-Left---x1 | CTN 1/4 |
| 2. Headboard-Left-----x1 | CTN 4/4 | 14. Side Panel Support-Right--x1 | CTN 1/4 |
| 3. Headboard-Right-----x1 | CTN 4/4 | 15. Center Bar-----x1 | CTN 1/4 |
| 4. Bedside Table-Top-----x4 | CTN 4/4 | 16. Metal Angle-----x2 | CTN 1/4 |
| 5. Bedside Table-Side-----x1 | CTN 3/4 | 17. Footboard Leg-----x2 | CTN 1/4 |
| 6. Bedside Table-Side-----x1 | CTN 3/4 | 18. Middle Leg-----x2 | CTN 1/4 |
| 7. Bedside Table-Side-----x1 | CTN 3/4 | 19. Drawer Panel-----x2 | CTN 4/4 |
| 8. Bedside Table-Side-----x1 | CTN 3/4 | 20. Drawer Side Panel-Left----x2 | CTN 4/4 |
| 9. Bedside Back Panel-----x2 | CTN 3/4 | 21. Drawer Side Panel-Right---x2 | CTN 4/4 |
| 10. Bed Side Rail-Left-----x1 | CTN 1/4 | 22. Drawer Back-----x2 | CTN 4/4 |
| 11. Bed Side Rail-Right-----x1 | CTN 1/4 | 23. Drawer Bottom-----x2 | CTN 4/4 |
| 12. Bed Footboard-----x1 | CTN 3/4 | 24. Slat-----x14 | CTN 3/4 |
| | | 25. Slat-Shorter-----x1 | CTN 3/4 |



STEP 1



No. P
Quantity:2 Pcs



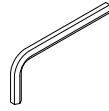
No. S
Quantity:6 Pcs



No. W
Quantity:2 Pcs



No. V
Quantity:1 Pc



No. F
Quantity:4 Pcs



No. I
Quantity:6 Pcs



No. X
Quantity:6 Pcs



No. K
Quantity:18 Pcs



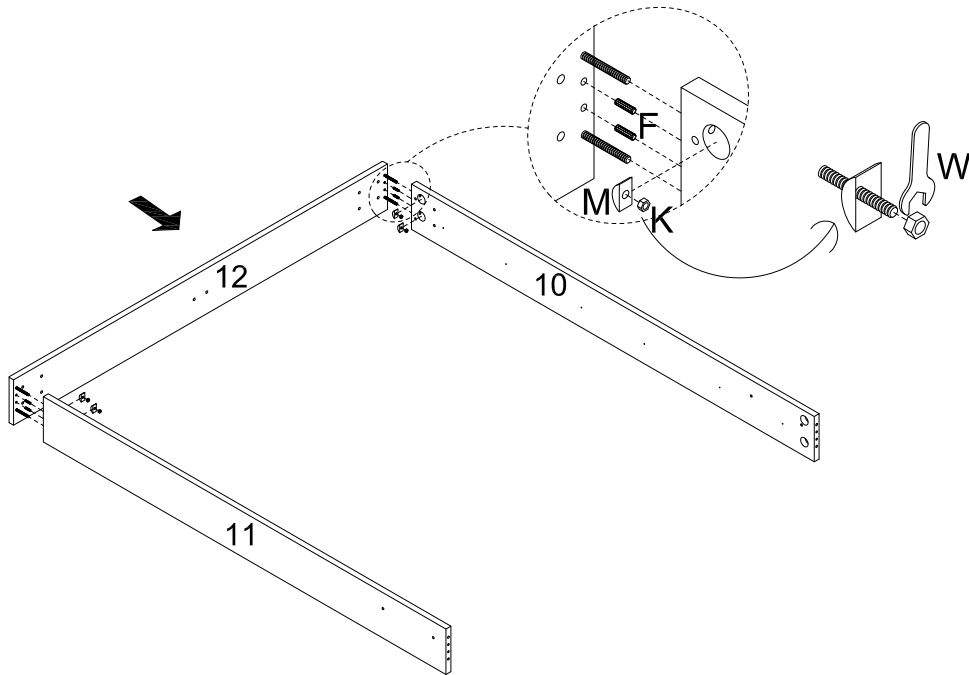
No. L
Quantity:4 Pcs



No. M
Quantity:12 Pcs



STEP 2



No. F
Quantity:4 Pcs



No. K
Quantity:4 Pcs

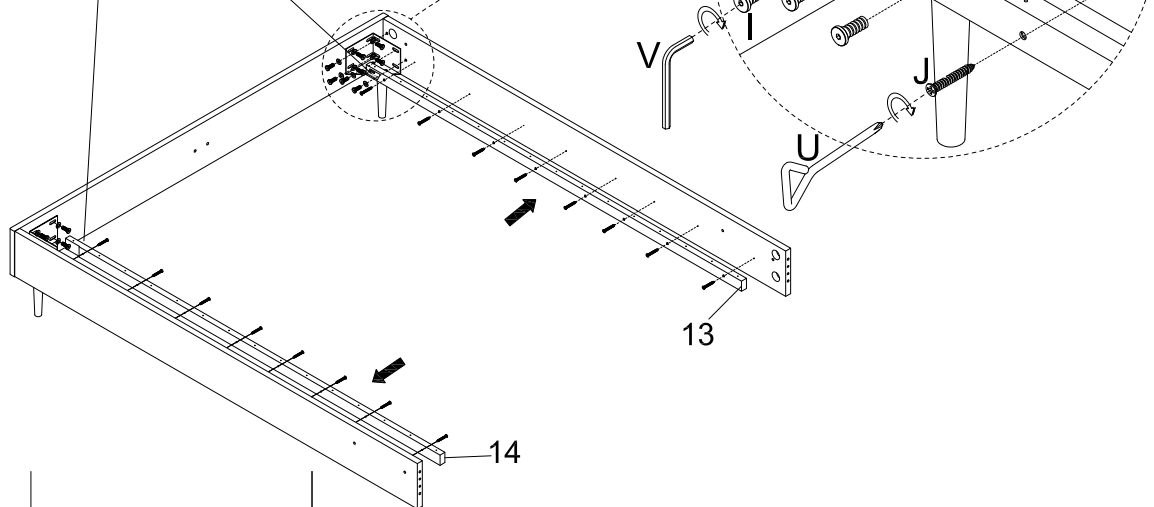


No. M
Quantity:4 Pcs



STEP 3

←
This end is installed
near Bed Footboard



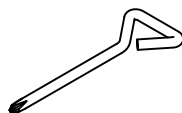
No. J
Quantity: 16 Pcs



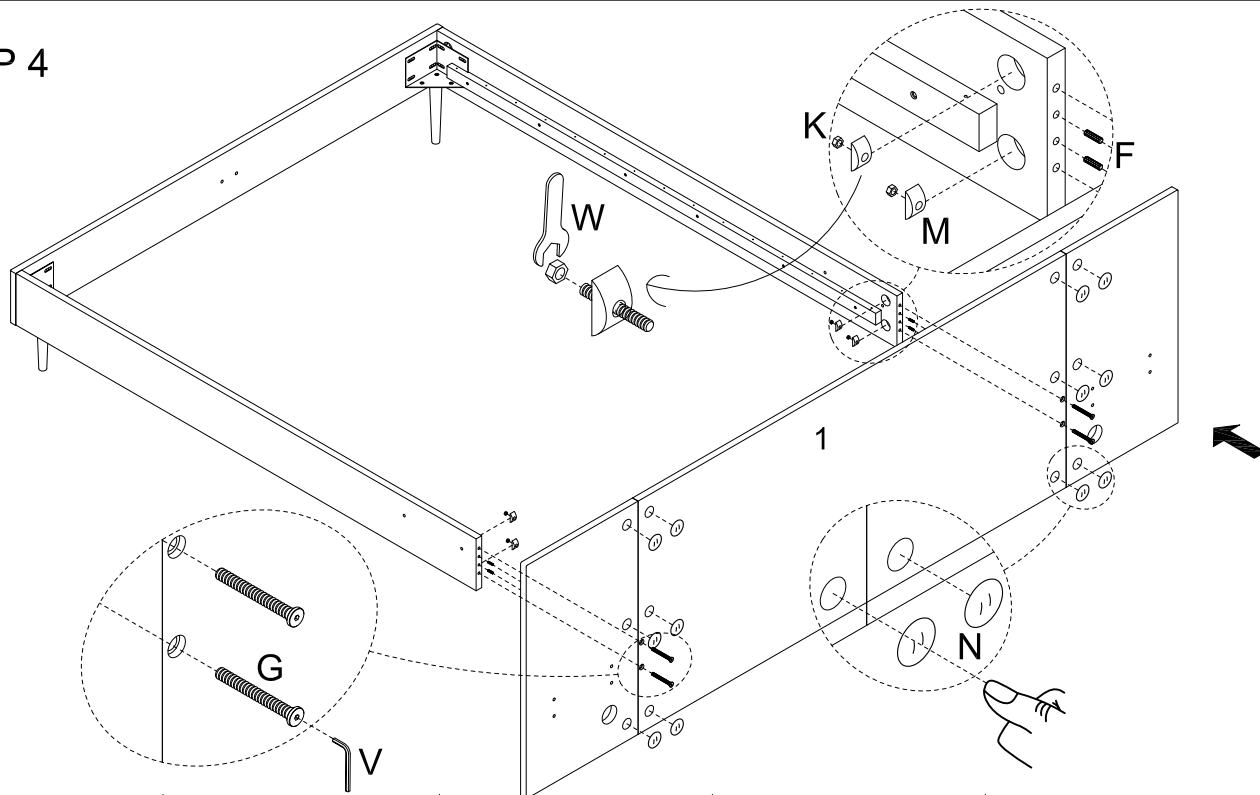
No. I
Quantity: 16 Pcs



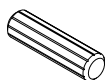
No. U
Quantity: 1 Pc



STEP 4



No. F
Quantity: 4 Pcs



No. G
Quantity: 4 Pcs



No. K
Quantity: 4 Pcs



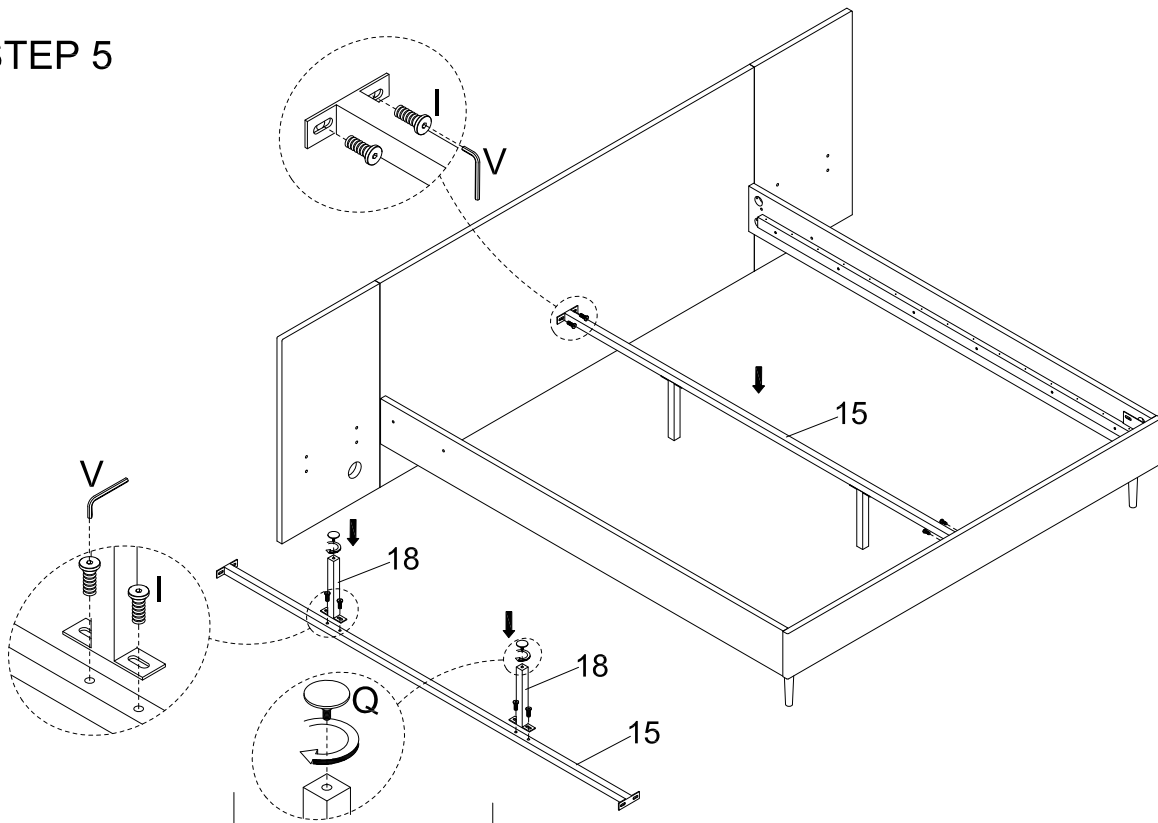
No. M
Quantity: 4 Pcs



No. N
Quantity: 20 Pcs



STEP 5



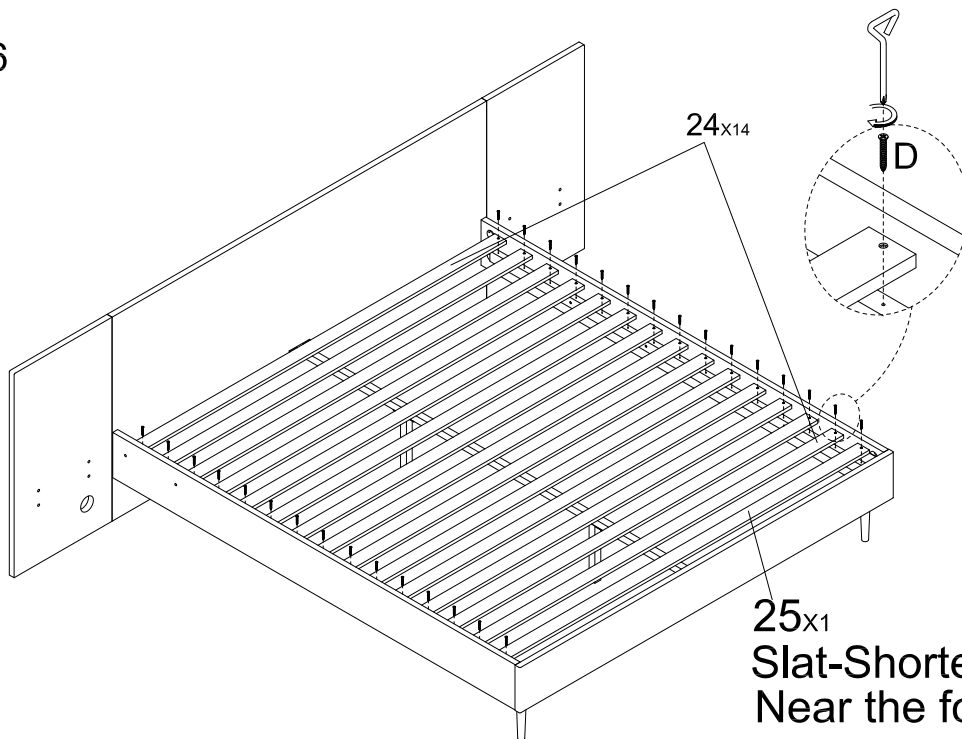
No. I
Quantity: 8 Pcs



No. Q
Quantity: 2 Pcs



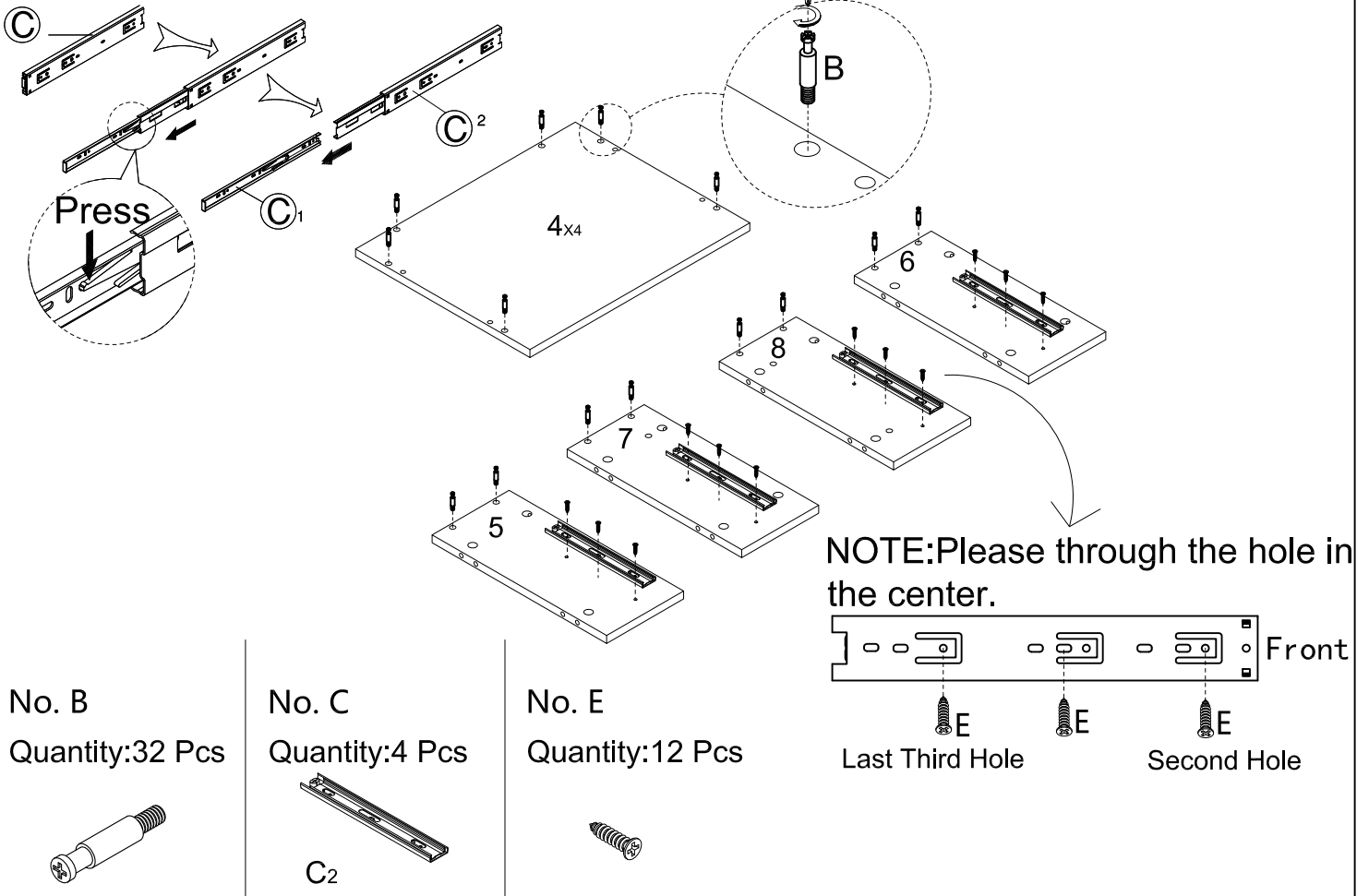
STEP 6



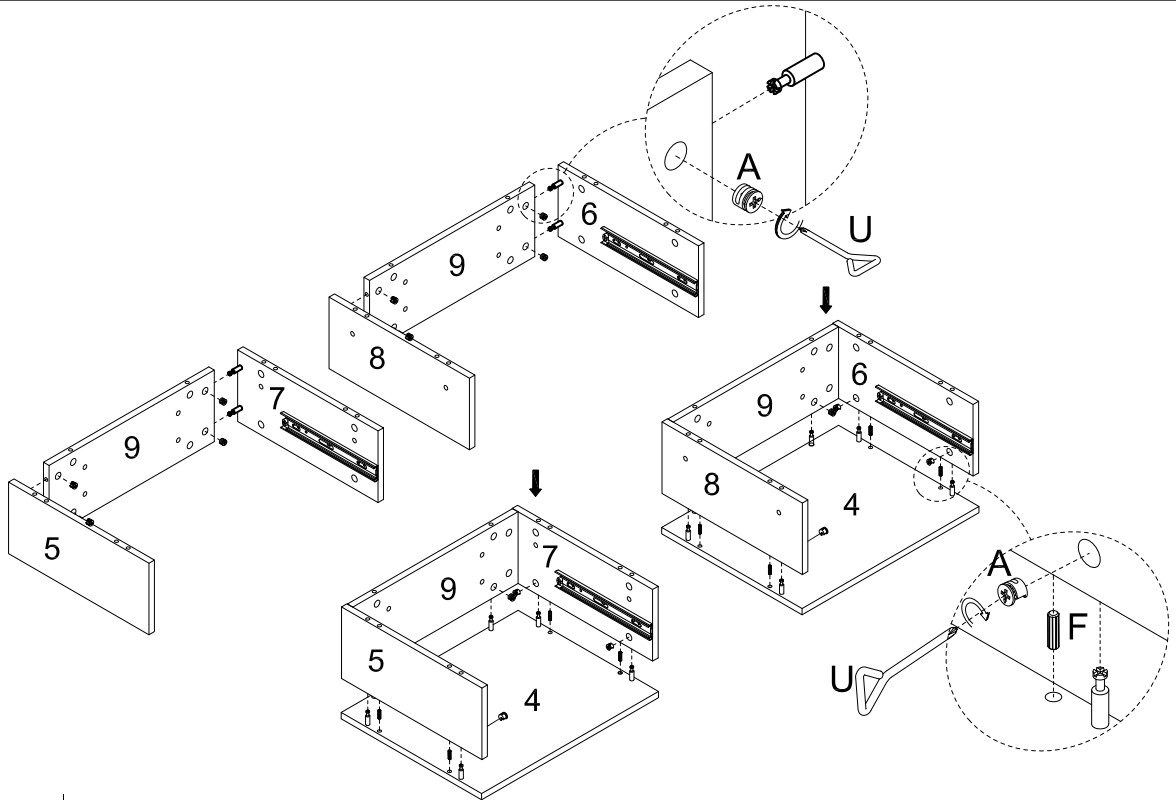
No. D
Quantity: 30 Pcs



STEP 7

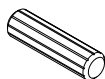


STEP 8

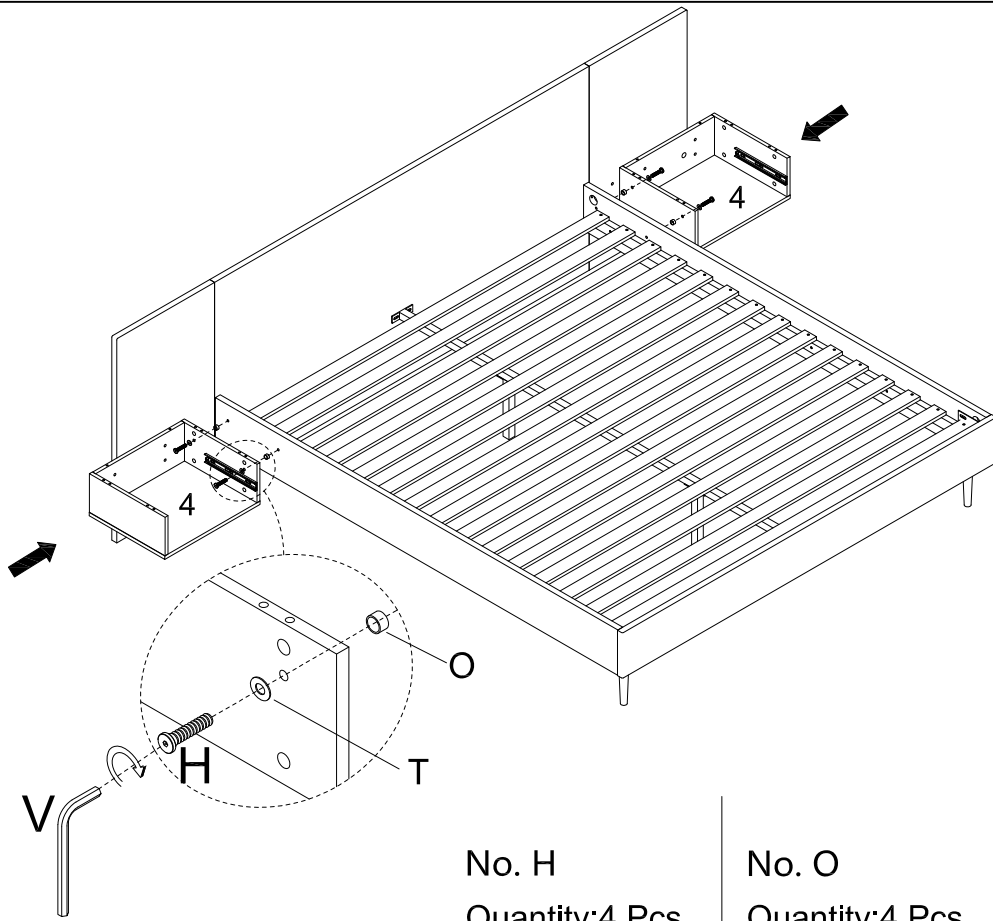


No. A
Quantity: 20 Pcs

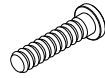
No. F
Quantity: 8 Pcs



STEP 9



No. H
Quantity: 4 Pcs



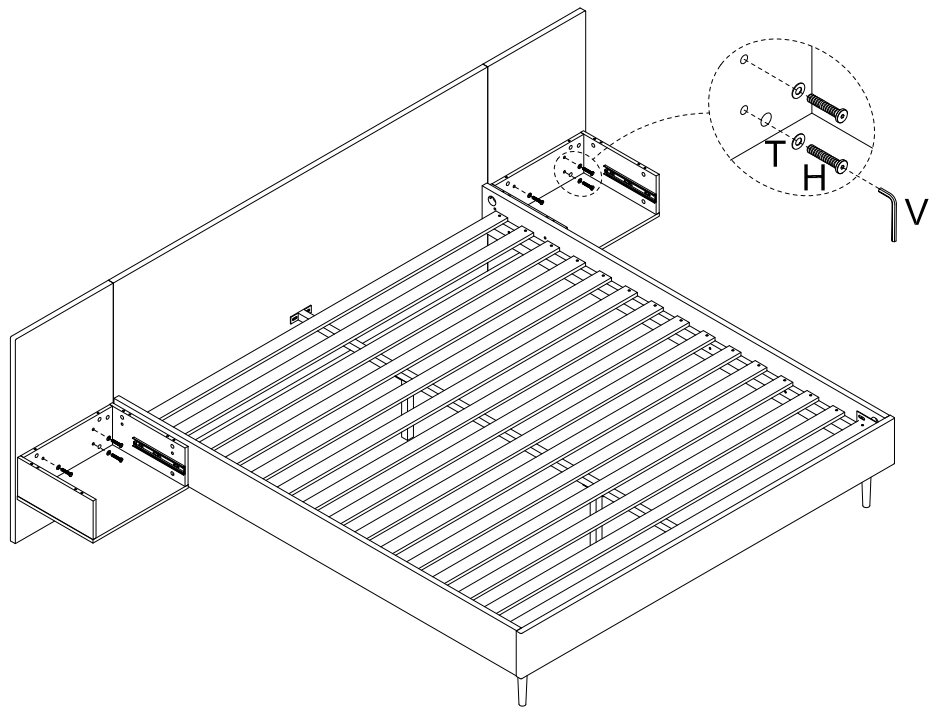
No. O
Quantity: 4 Pcs



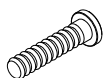
No. T
Quantity: 4 Pcs



STEP 10



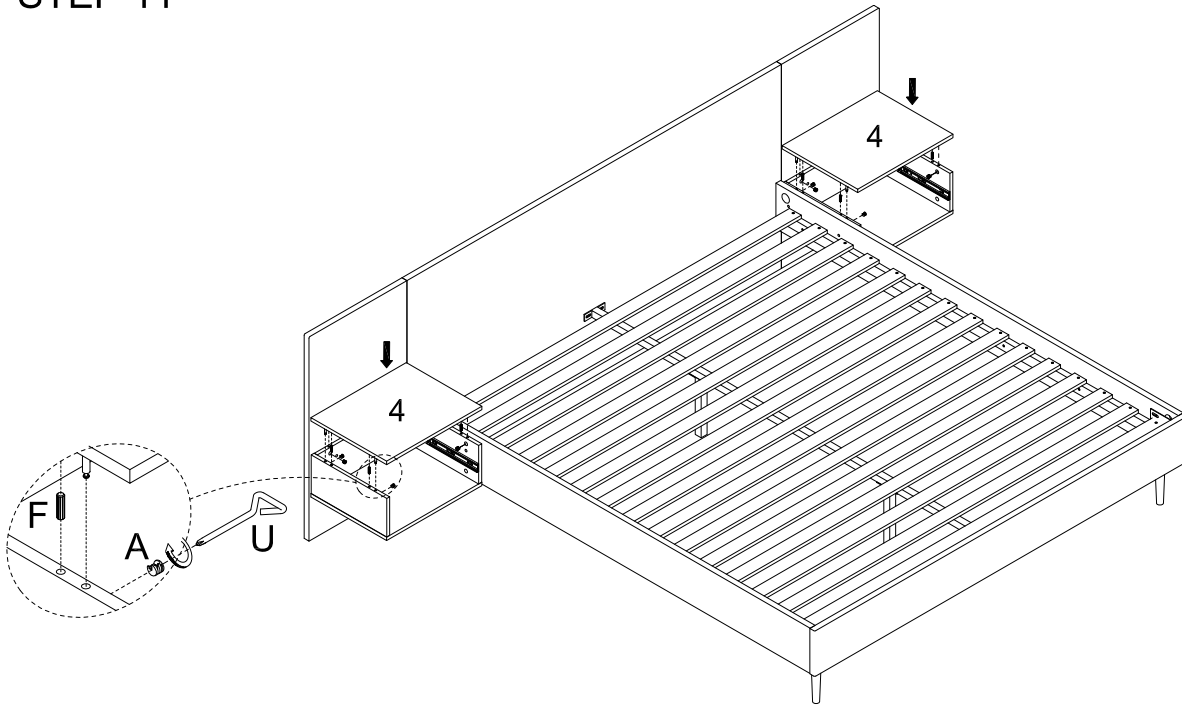
No. H
Quantity: 8 Pcs



No. T
Quantity: 8 Pcs



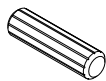
STEP 11



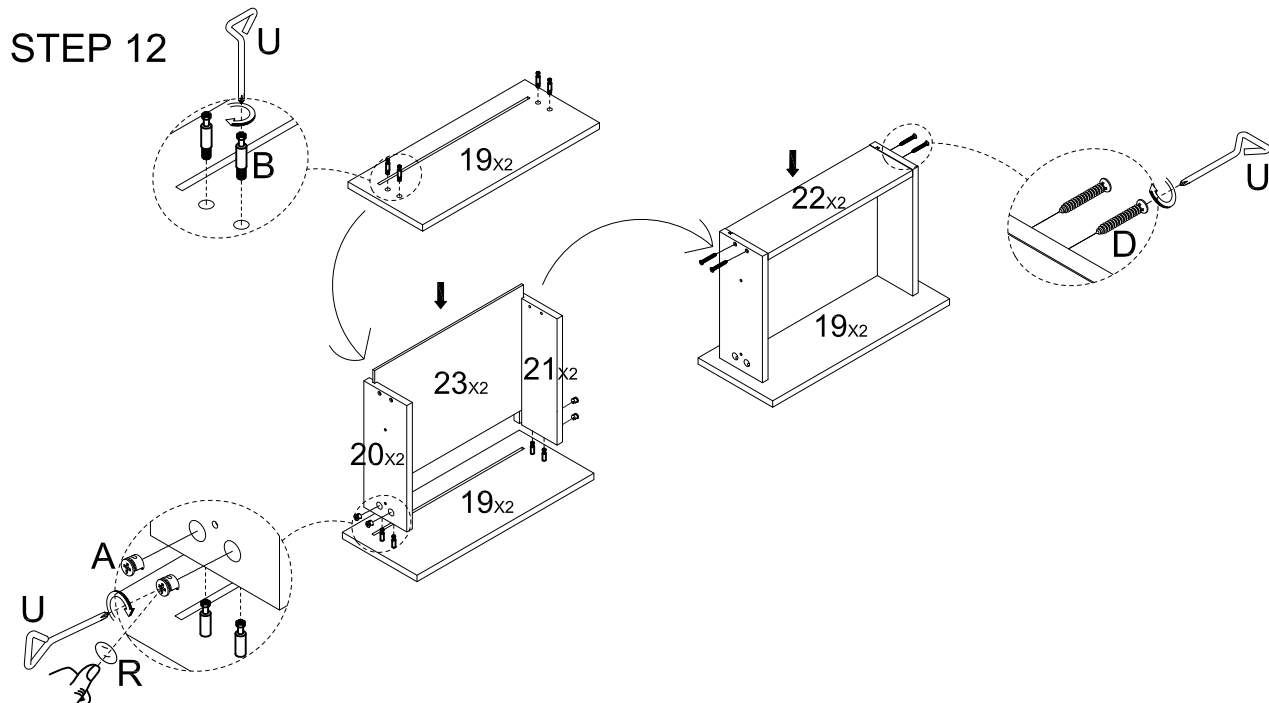
No. A
Quantity: 12 Pcs



No. F
Quantity: 8 Pcs



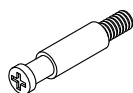
STEP 12



No. A
Quantity: 8 Pcs



No. B
Quantity: 8 Pcs



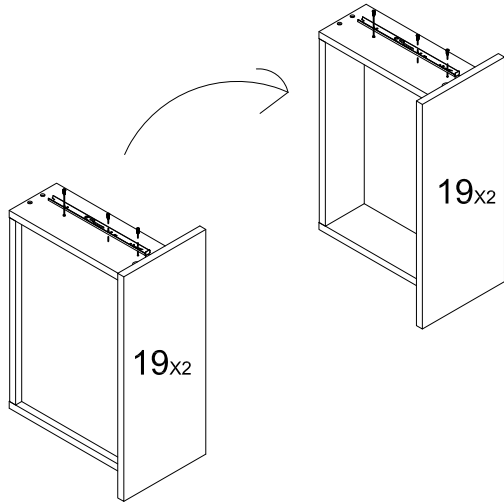
No. D
Quantity: 8 Pcs



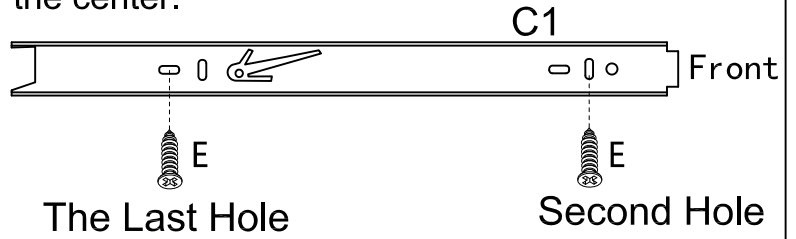
No. R
Quantity: 40 Pcs



STEP 13

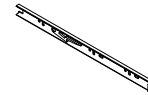


NOTE: Please through the hole in the center.



No. C
Quantity: 4 Pcs

C1



No. E
Quantity: 12 Pcs



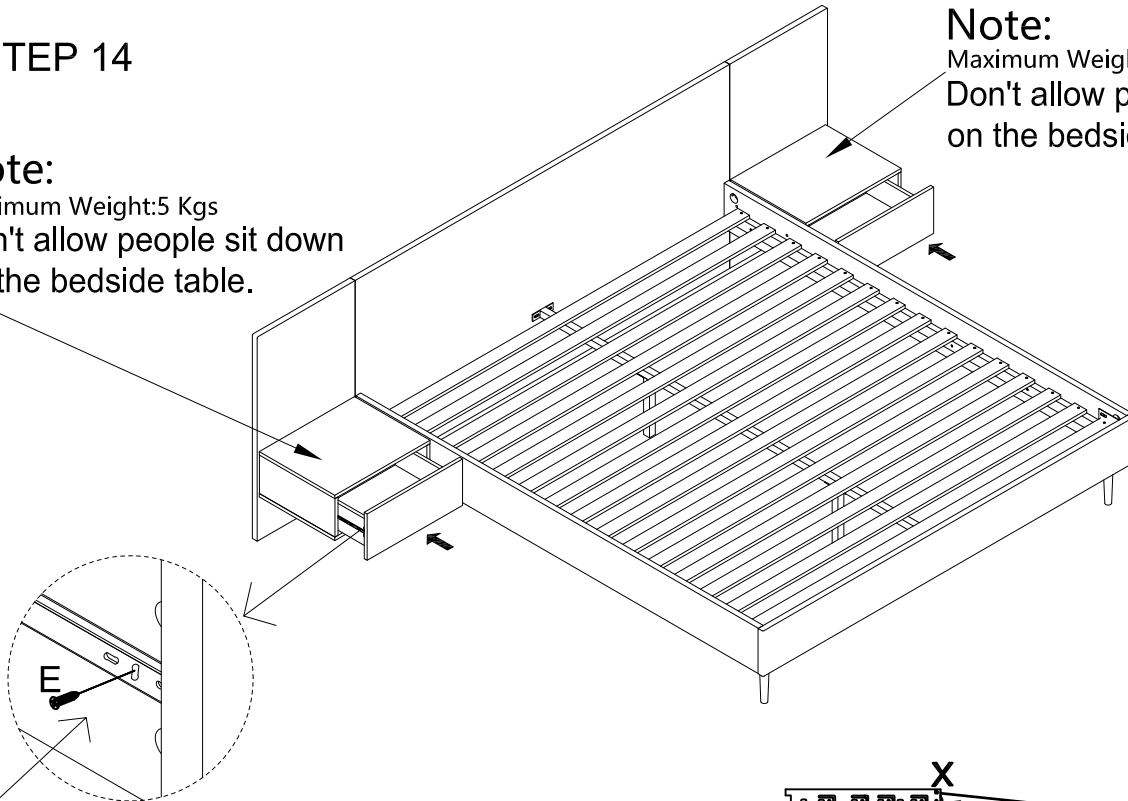
STEP 14

Note:

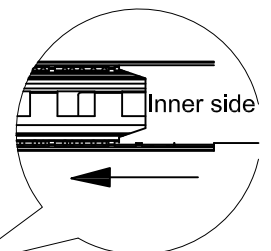
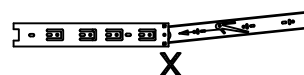
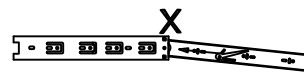
Maximum Weight: 5 Kgs
Don't allow people sit down on the bedside table.

Note:

Maximum Weight: 5 Kgs
Don't allow people sit down on the bedside table.



This screw can adjust the gap between the higher and lower, the position of screw remains the same, just loosen the slide rail up and down.



lifely.com.au

Great job. You're done!

Don't forget to share how it looks in
your space and tag us on Instagram.

@lifelyhome #homewithlifely!