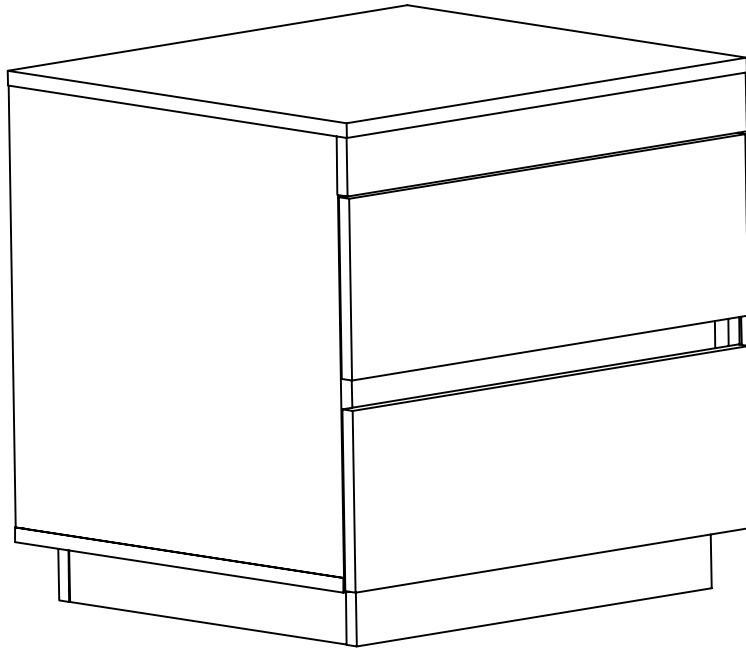


Assemble Instructions

Cuppa Series



Lifely*

Product Code
CPA-BT603-WOK
Cuppa Bedside Table

Dimensions(W x D x H)
550*500*540mm

Important

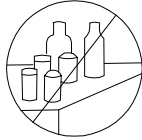
Please read through instructions carefully
Before assembly and keep for future reference.

For our full catalogue of assembly instructions,
Visit:lifely.com.au/assembly.

Important Tips and Maintenance



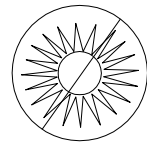
1. Keep children and animals away from working area as smaller parts may cause choking if swallowed



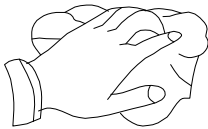
2. Never place liquids or anything damp upon furniture as it will mark. Ensure a coaster or running is beneath.



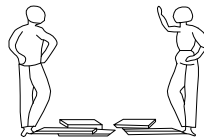
3. Never use ammonia based cleaning products as it will damage the finish.



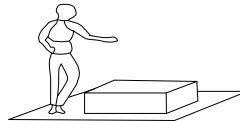
4. To avoid fading, keep furniture out of direct sunlight.



5. Use a soft or damp cloth (dry cloth) when wiping or cleaning surface.



6. Two person are required



7. Lay a soft mat down to protect the furniture pieces before and during assembly.

So your relationship is strong. But is it flat-pack furniture strong? Unless you're an aerospace engineer, assembling furniture can be slightly stressful. We recommend meditating quietly, pouring yourself a herbal tea (or slightly less herbal wine) and tackling things one step at a time. If you feel a passive aggressive remark coming on, try a compliment instead. E.g. "You're so good looking".

This 19-Step assembly should take around 45 minutes with an Allen Key-or 30 minutes with an electric drill. Godspeed.

Designed for everyday

Components Hardware

Please check you have all the fittings
part or tools are listed in below.

No.A
Quantity:20Pcs
Dowel



No.B
Quantity:26Pcs
Cam Bolt



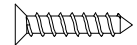
No.B
Quantity:26Pcs
Cam Nut



No.C
Quantity:20Pcs
Screw M3.5*14mm



No.D
Quantity:8Pcs
Screw M3.5*35mm



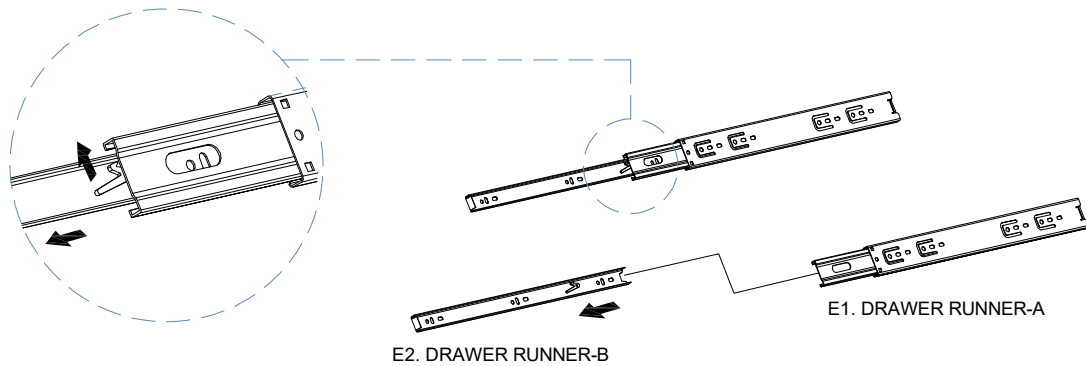
No.E
Quantity:4Pcs
Drawer Runner



No.G
Quantity:8Pcs
Ground Nail



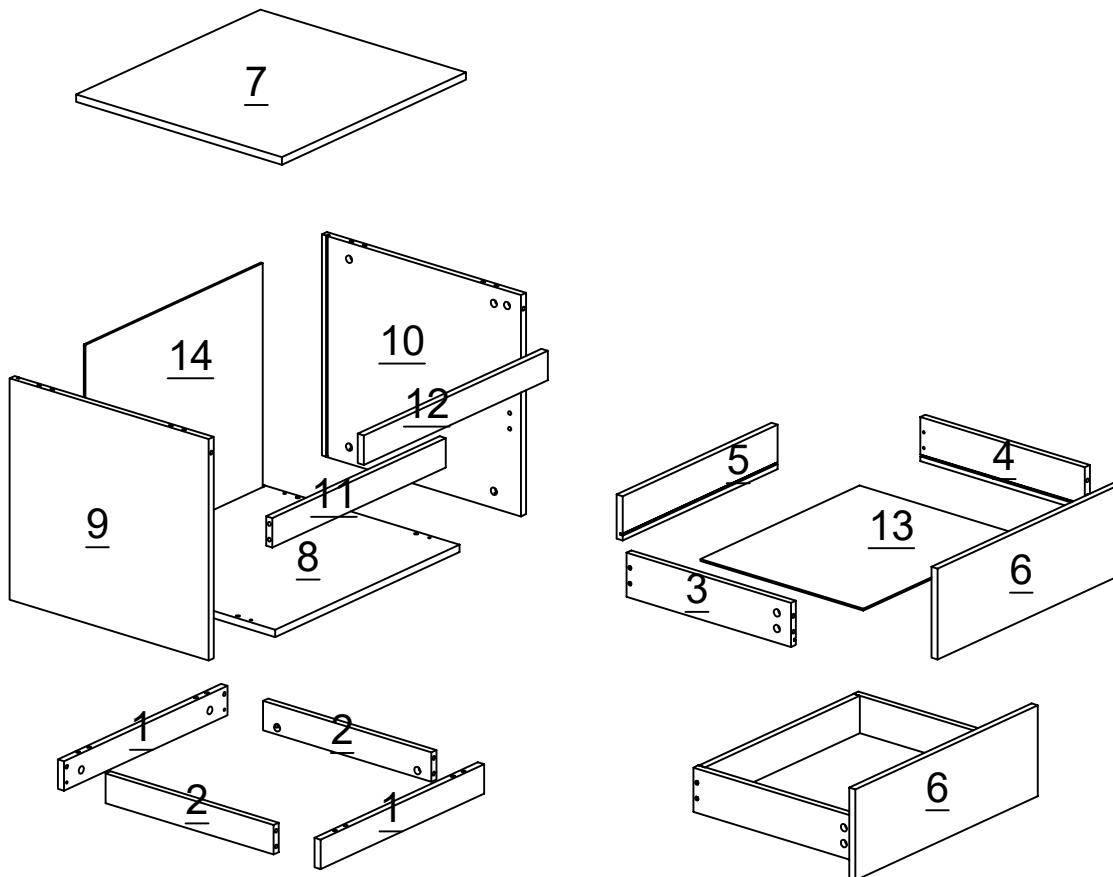
No.H
Quantity:4Pcs
Back Plate Clamp



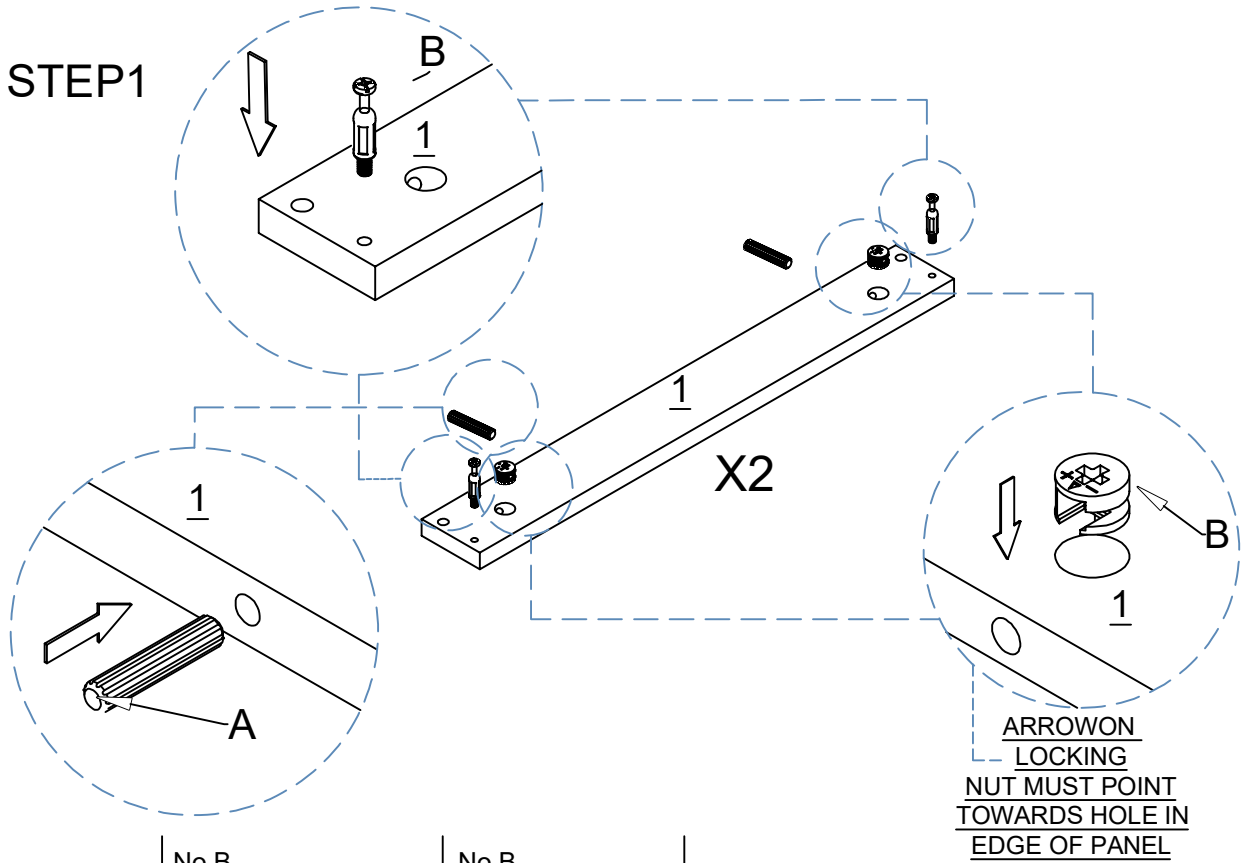
Components Panels & Part List

Please check you have all the panels are listed below.

- | | | | | | |
|------------------------|----|---------|-----------------------|----|---------|
| 1. Base ----- | x2 | CTN 1/1 | 12. Skirt panel ----- | x1 | CTN 1/1 |
| 2. Base side ----- | x2 | CTN 1/1 | 13. Drawer base ----- | x2 | CTN 1/1 |
| 3. Drawer side_l ----- | x2 | CTN 1/1 | 14. Back panel ----- | x1 | CTN 1/1 |
| 4. Drawer side_r ----- | x2 | CTN 1/1 | | | |
| 5. Drawer back ----- | x2 | CTN 1/1 | | | |
| 6. Drawer front ----- | x2 | CTN 1/1 | | | |
| 7. Top panel ----- | x1 | CTN 1/1 | | | |
| 8. Bottom panel ----- | x1 | CTN 1/1 | | | |
| 9. Side panel_l ----- | x1 | CTN 1/1 | | | |
| 10. Side panel_r ----- | x1 | CTN 1/1 | | | |
| 11. Front panel ----- | x1 | CTN 1/1 | | | |



STEP 1



ARROW ON
LOCKING
NUT MUST POINT
TOWARDS HOLE IN
EDGE OF PANEL

No.A
Quantity:4Pcs
Dowel



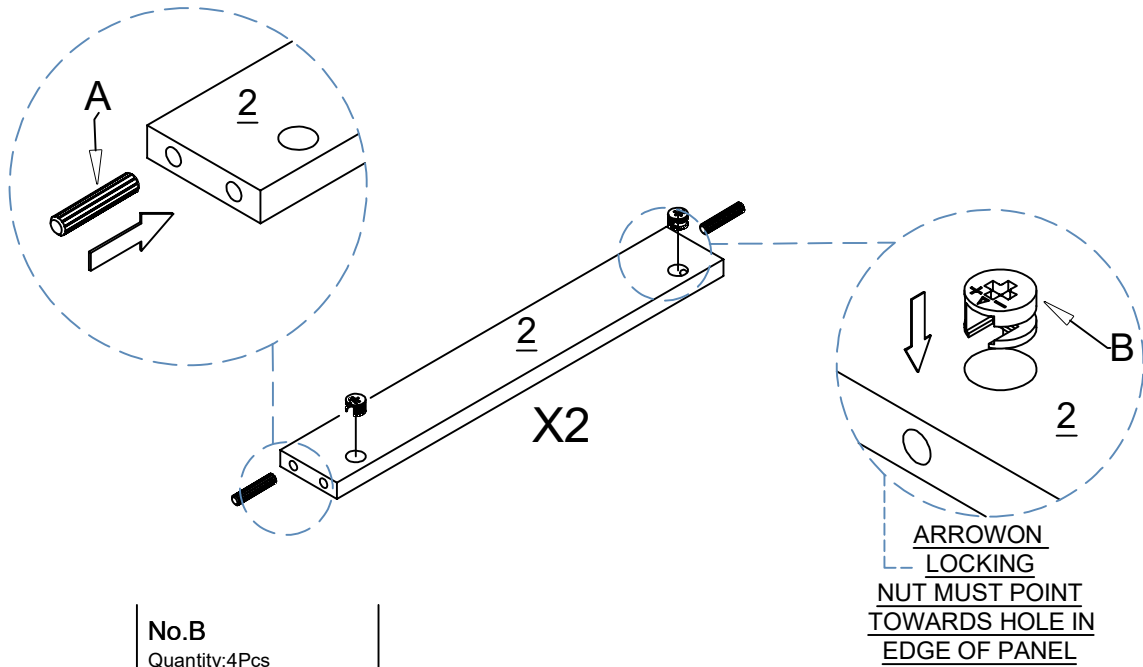
No.B
Quantity:4Pcs
Cam Bolt



No.B
Quantity:4Pcs
Cam Nut



STEP 2



ARROW ON
LOCKING
NUT MUST POINT
TOWARDS HOLE IN
EDGE OF PANEL

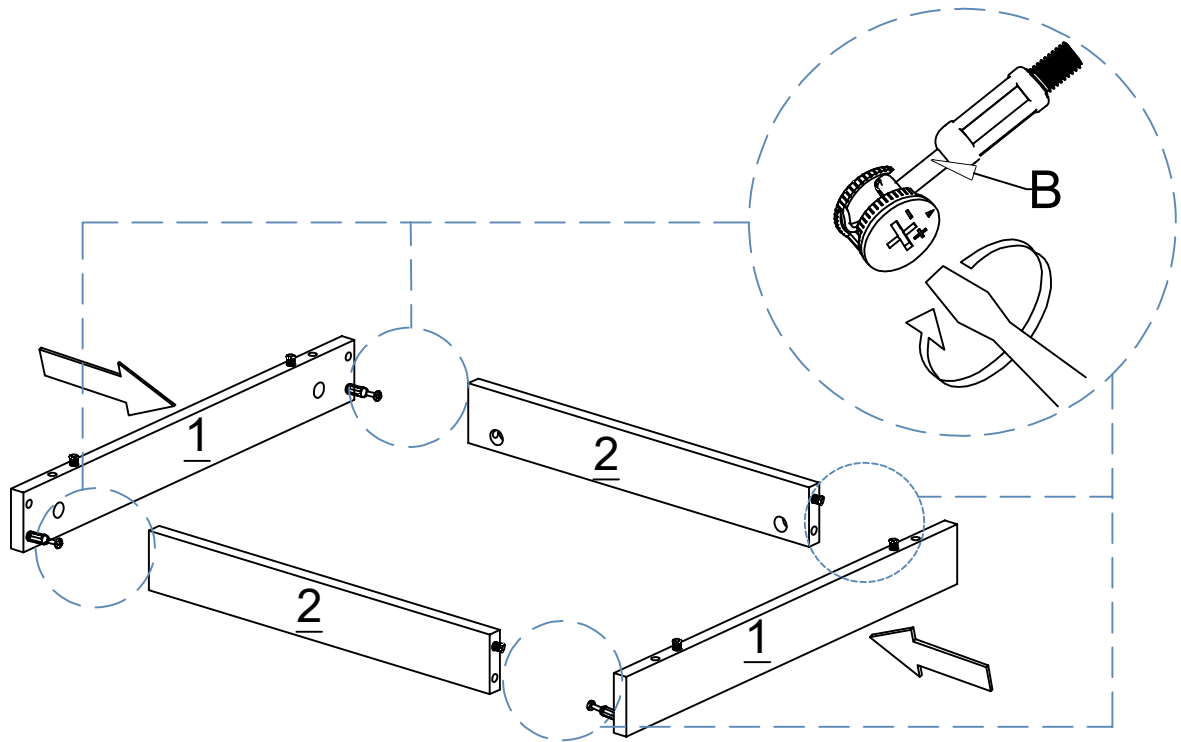
No.A
Quantity:4Pcs
Dowel



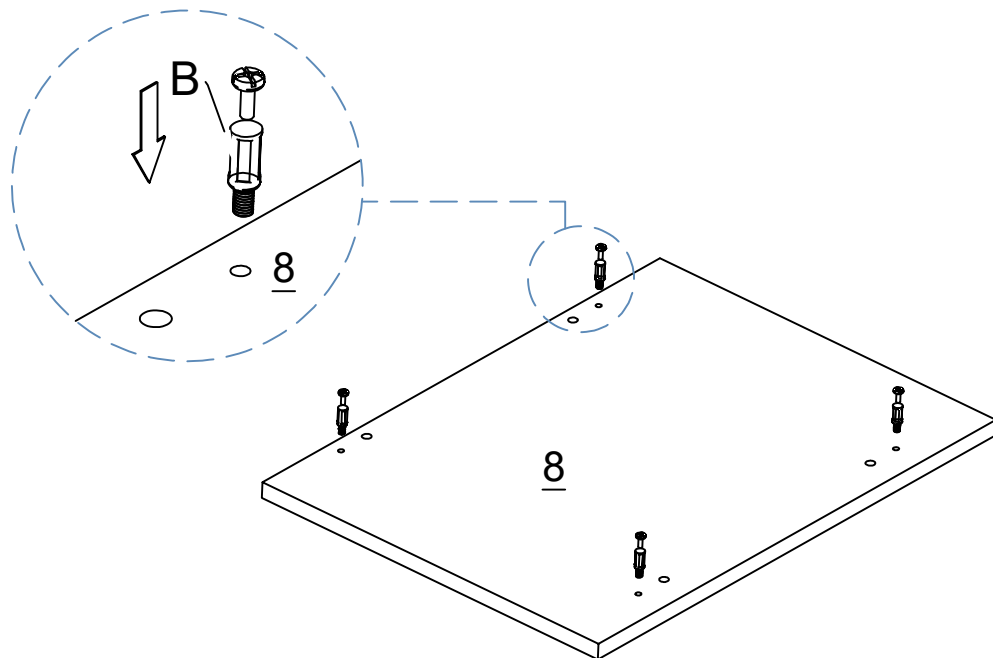
No.B
Quantity:4Pcs
Cam Nut



STEP3



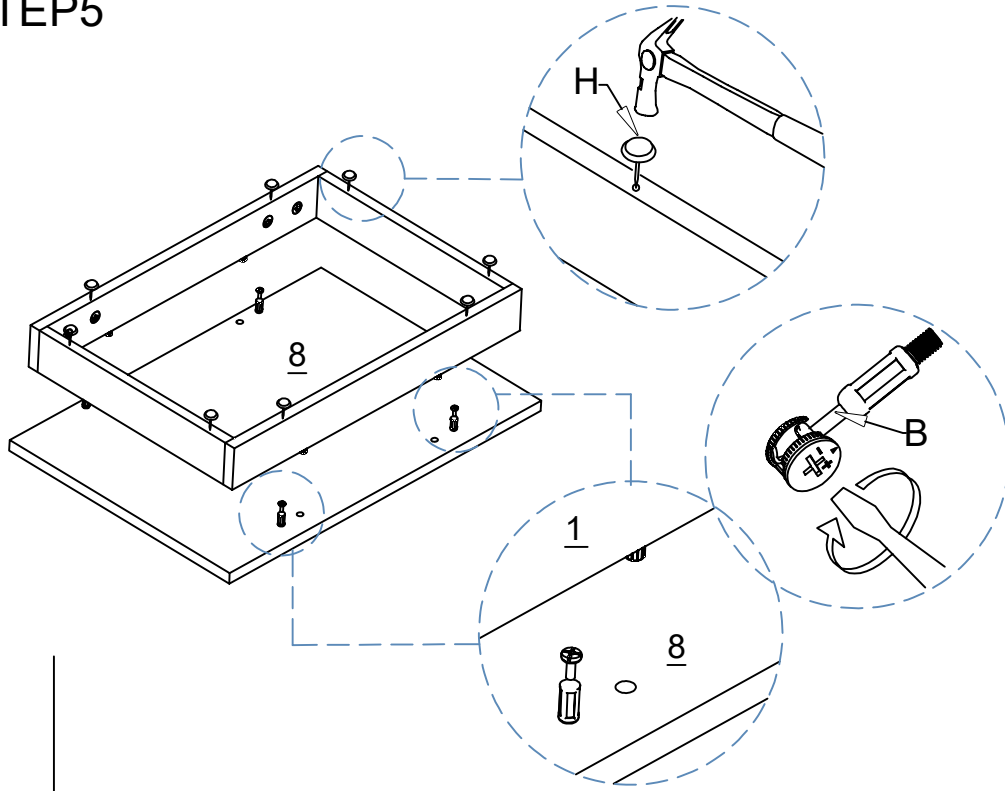
STEP4



No.B
Quantity:4Pcs
Cam Bolt



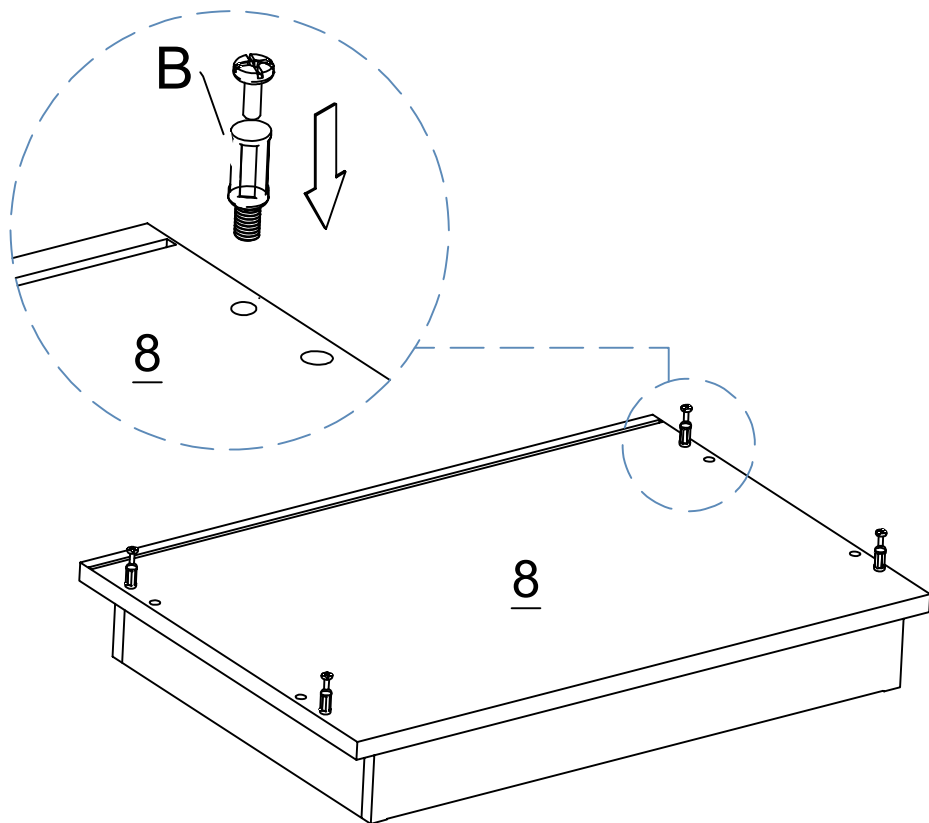
STEP5



Quantity:8Pcs
Ground Nail



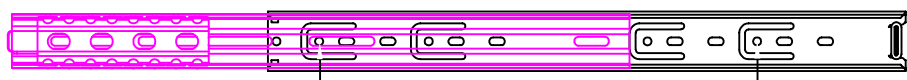
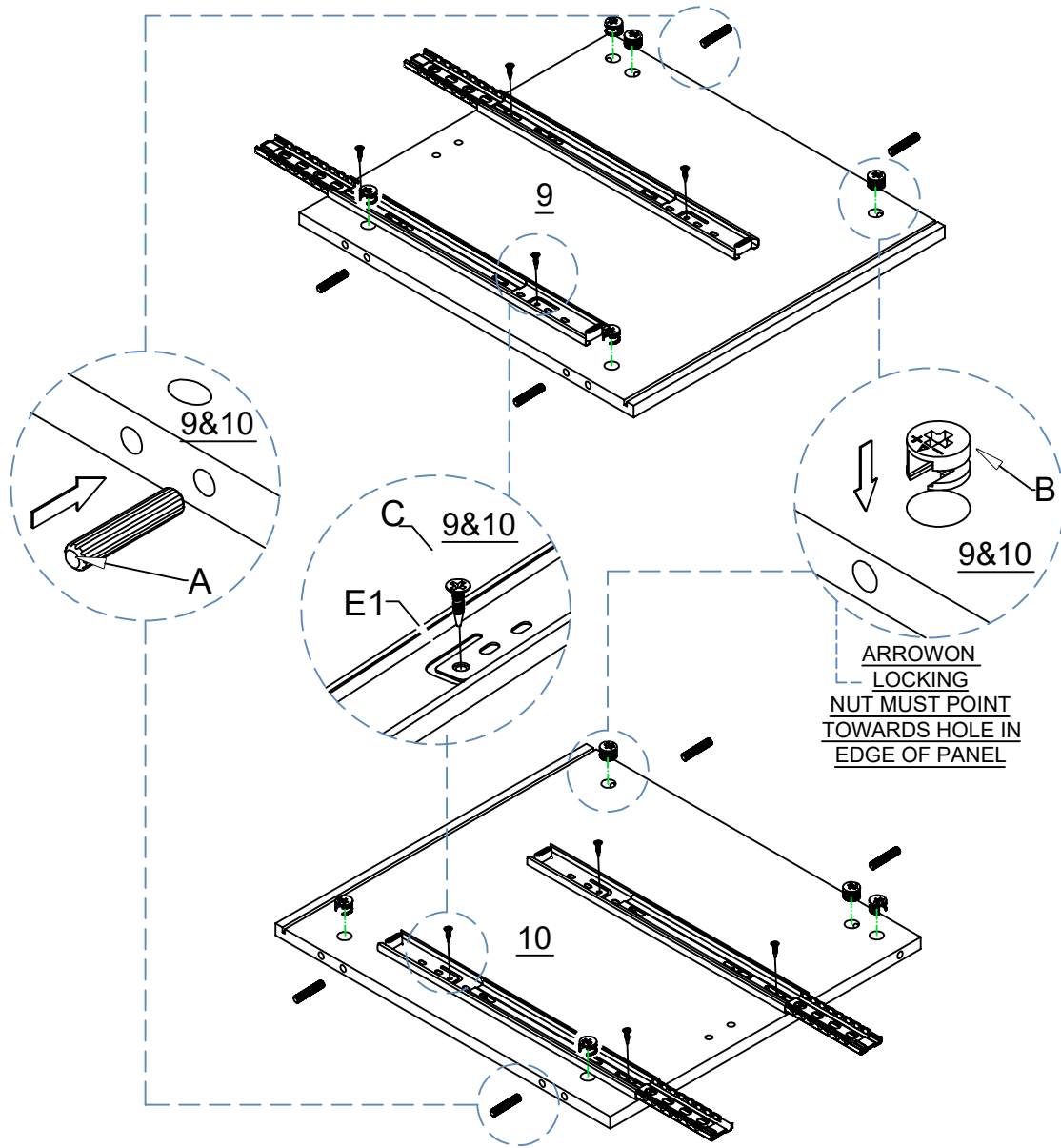
STEP6



No.B
Quantity:4Pcs
Cam Bolt



STEP 7



Second Hole

Last Third Hole

SCREW MUST BE INSERTED IN THE SECOND HOLE ON THE DRAWER RUNNER

No.A
Quantity:8Pcs
Dowel



No.B
Quantity:10Pcs
Cam Nut



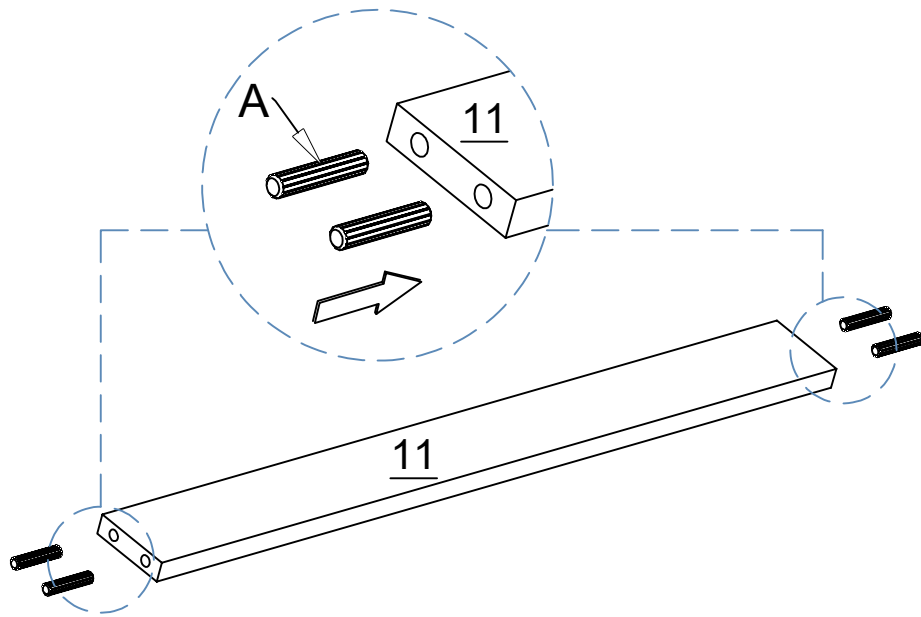
No.E-1
Quantity:4Pcs
Drawer Runner



No.C
Quantity:8Pcs
Screw M3.5*14mm



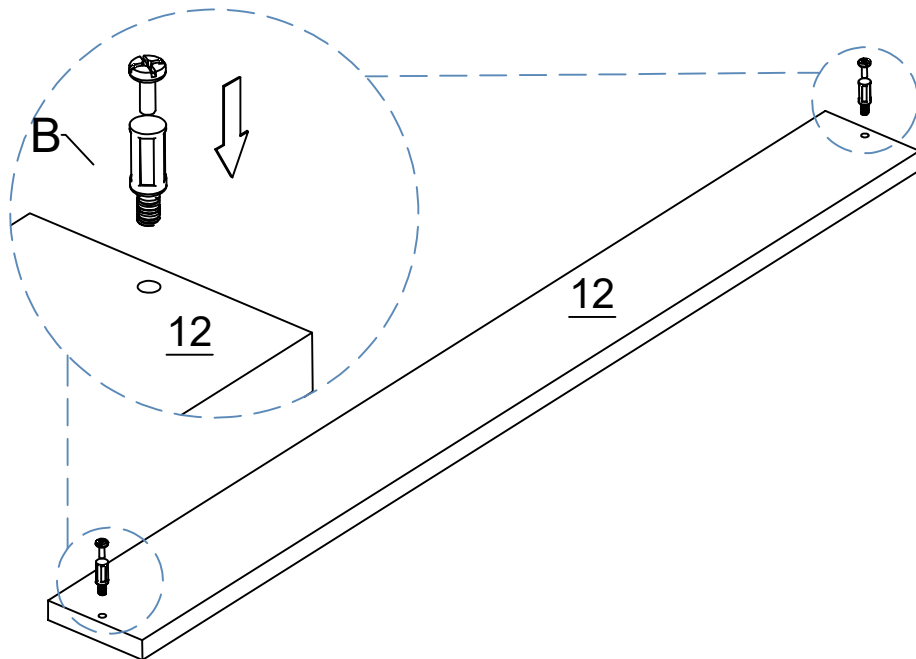
STEP 8



No.A
Quantity:4Pcs
Dowel



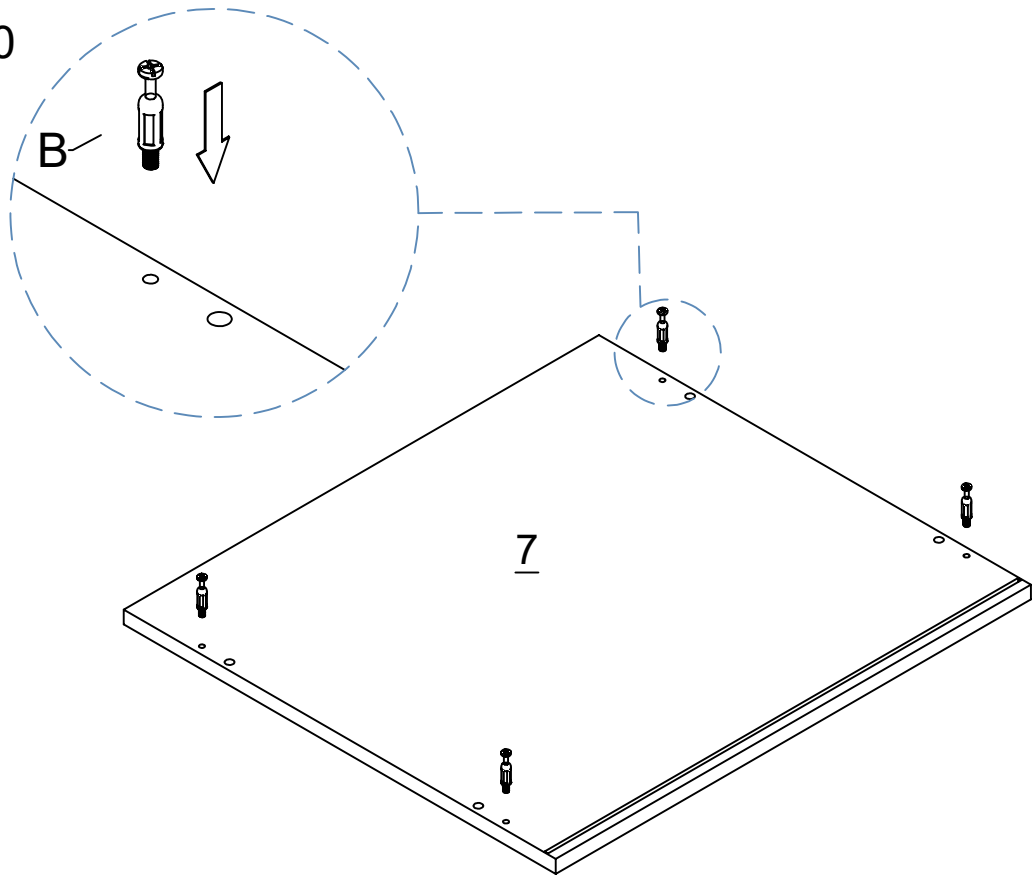
STEP 9



No.B
Quantity:4Pcs
Cam Bolt



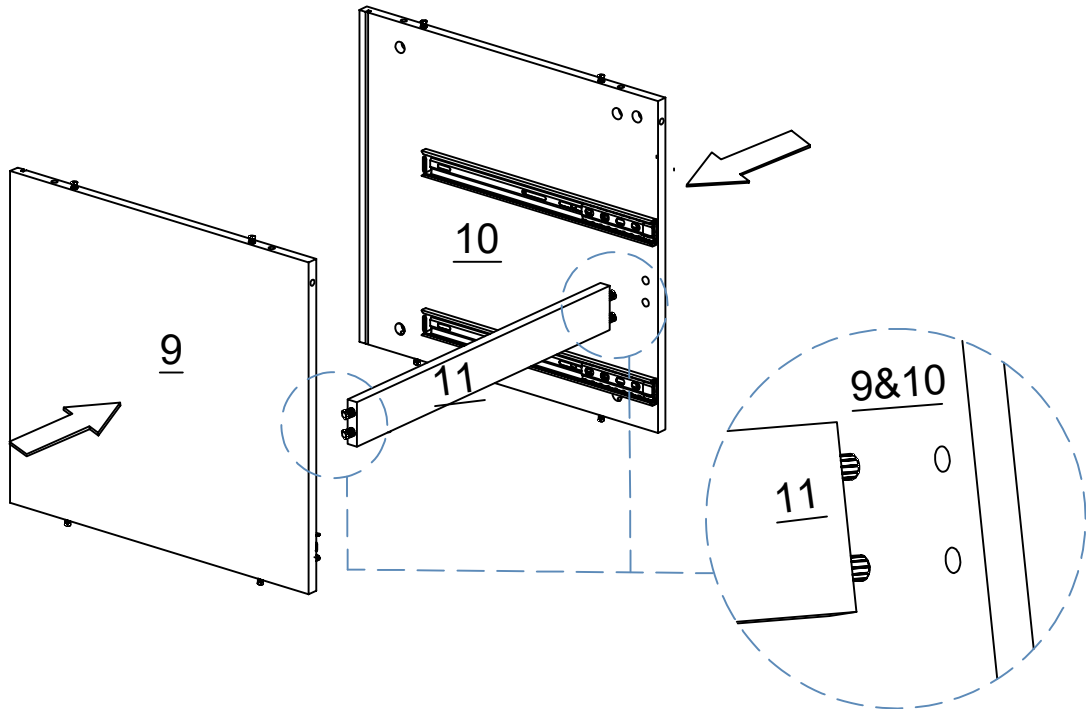
STEP 10



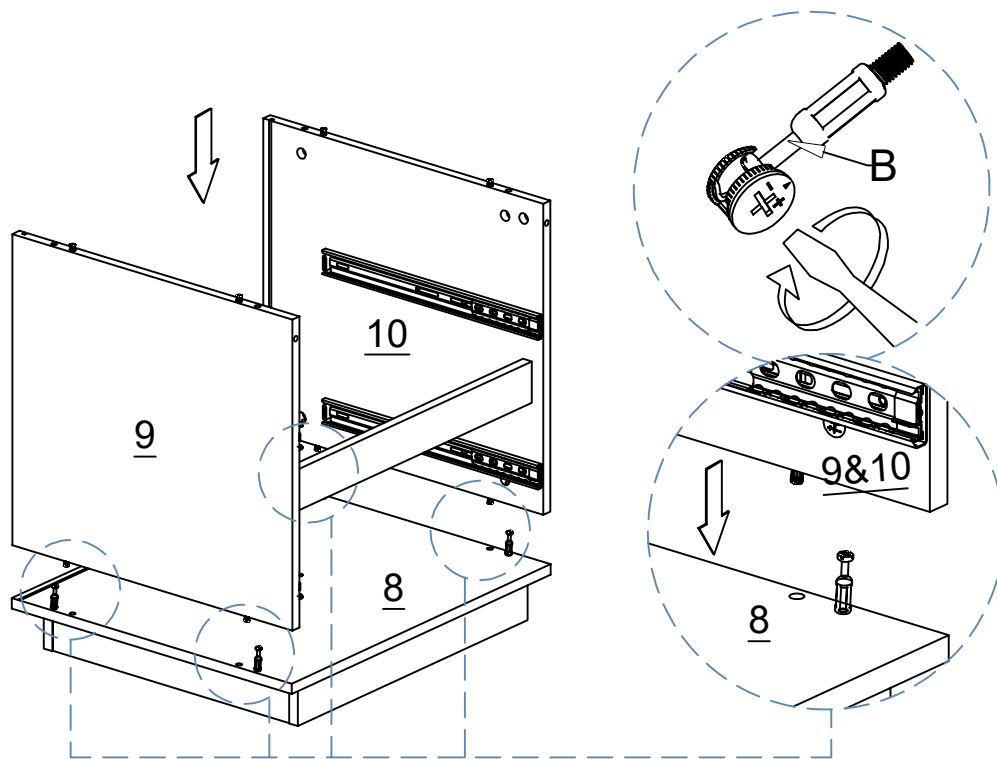
No.B
Quantity:4Pcs
Cam Bolt



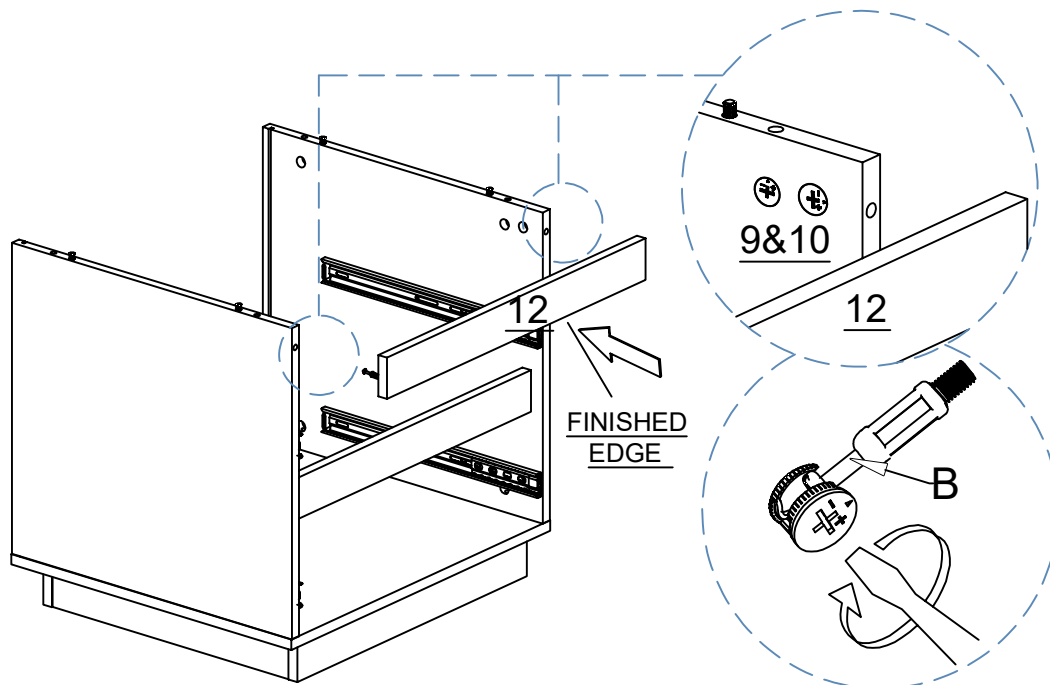
STEP 11



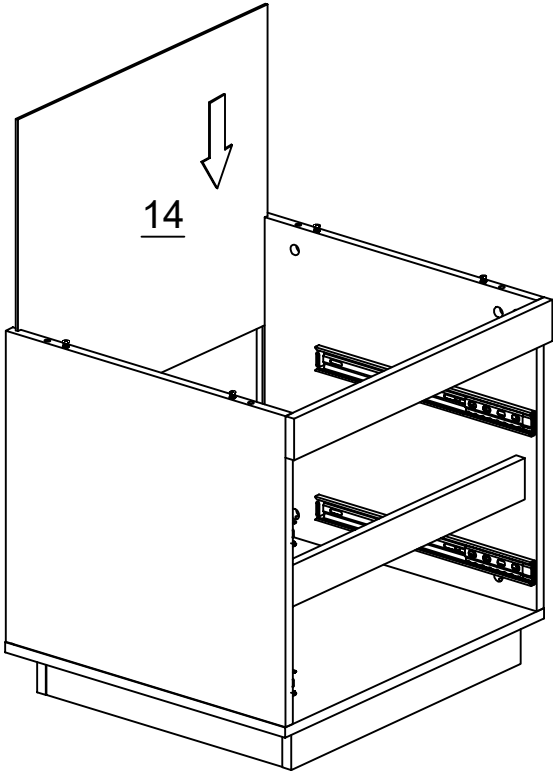
STEP 12



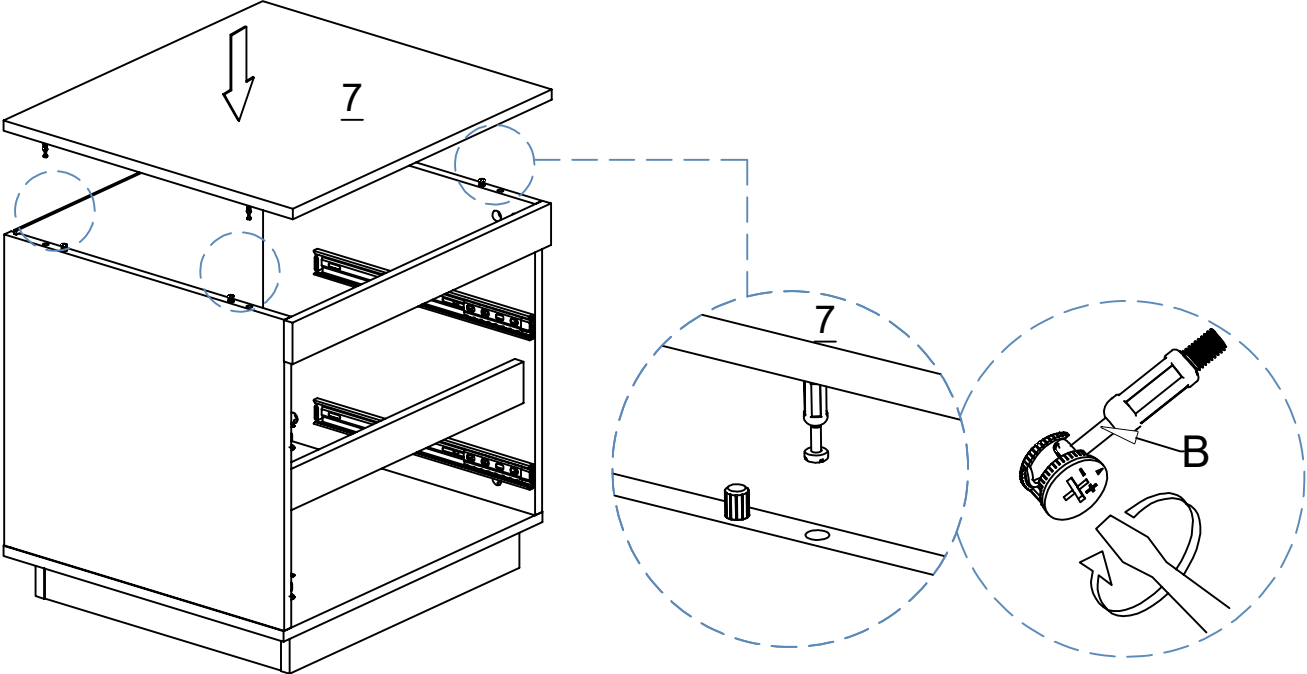
STEP 13



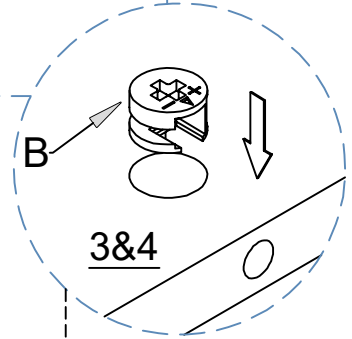
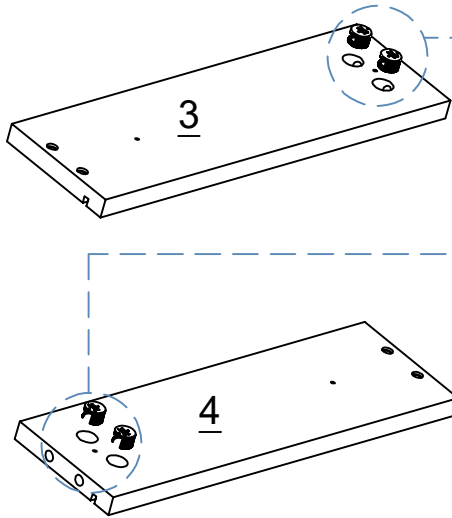
STEP 14



STEP 15



STEP 16



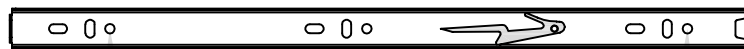
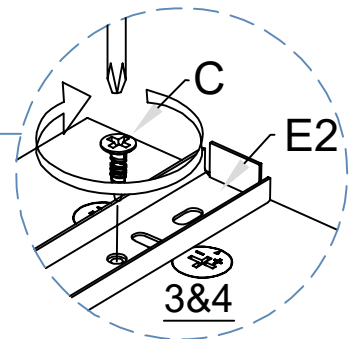
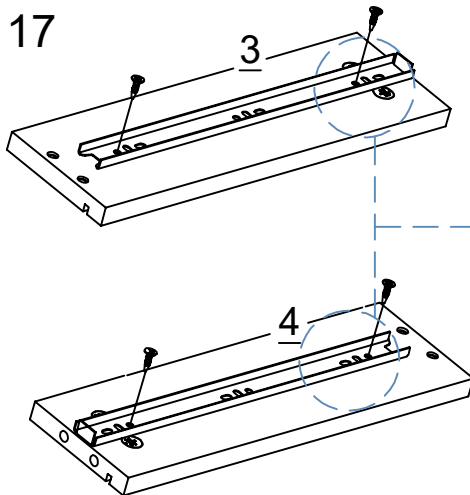
ARROW ON
LOCKING
NUT MUST POINT
TOWARDS HOLE IN
EDGE OF PANEL

DRAWER X2

No.B
Quantity:8Pcs
Cam Nut



STEP 17



Third Hole

Last Hole

DRAWER X2

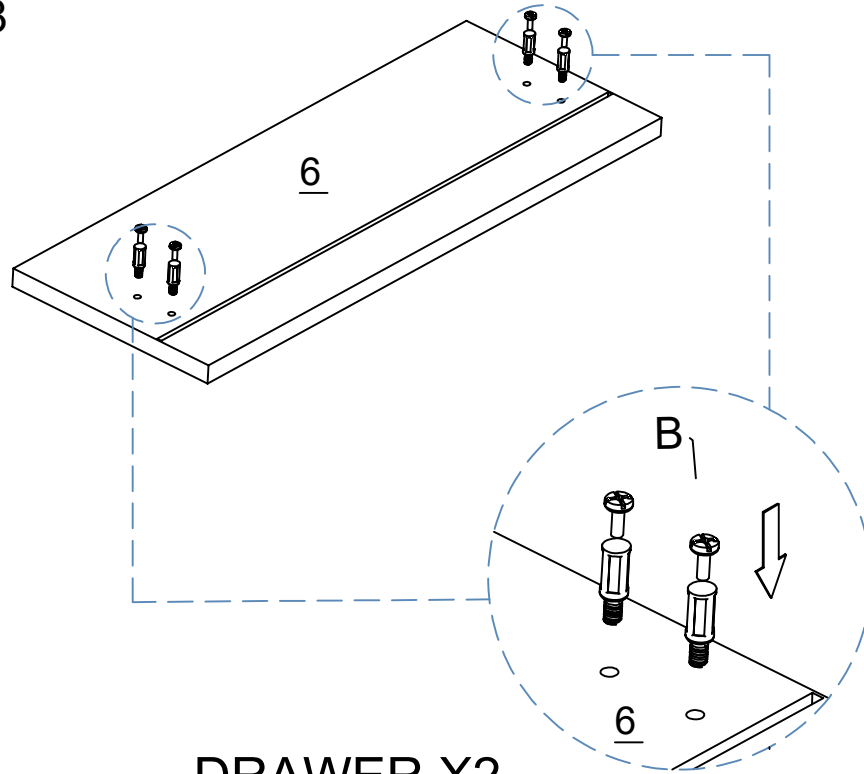
No.C
Quantity:8Pcs
Screw M3.5*14mm



No.E-2
Quantity:4Pcs
Drawer Runner



STEP 18

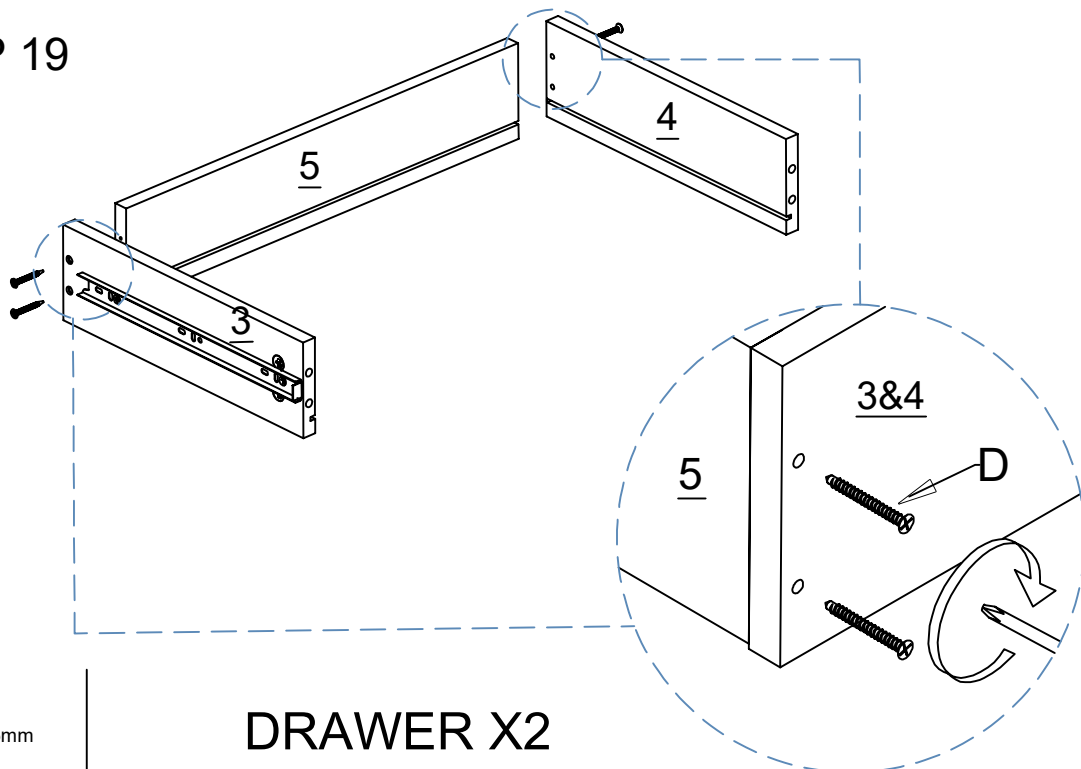


No.B
Quantity:8Pcs
Cam Bolt

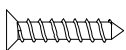


DRAWER X2

STEP 19

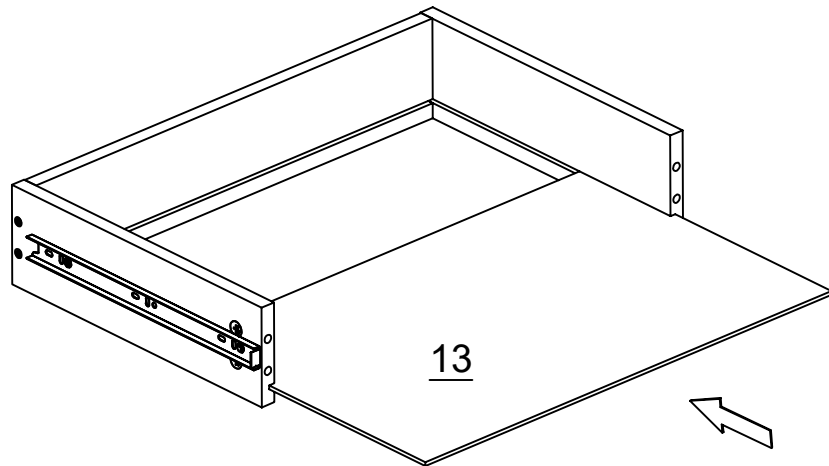


No.D
Quantity:8Pcs
Screw M3.5*35mm



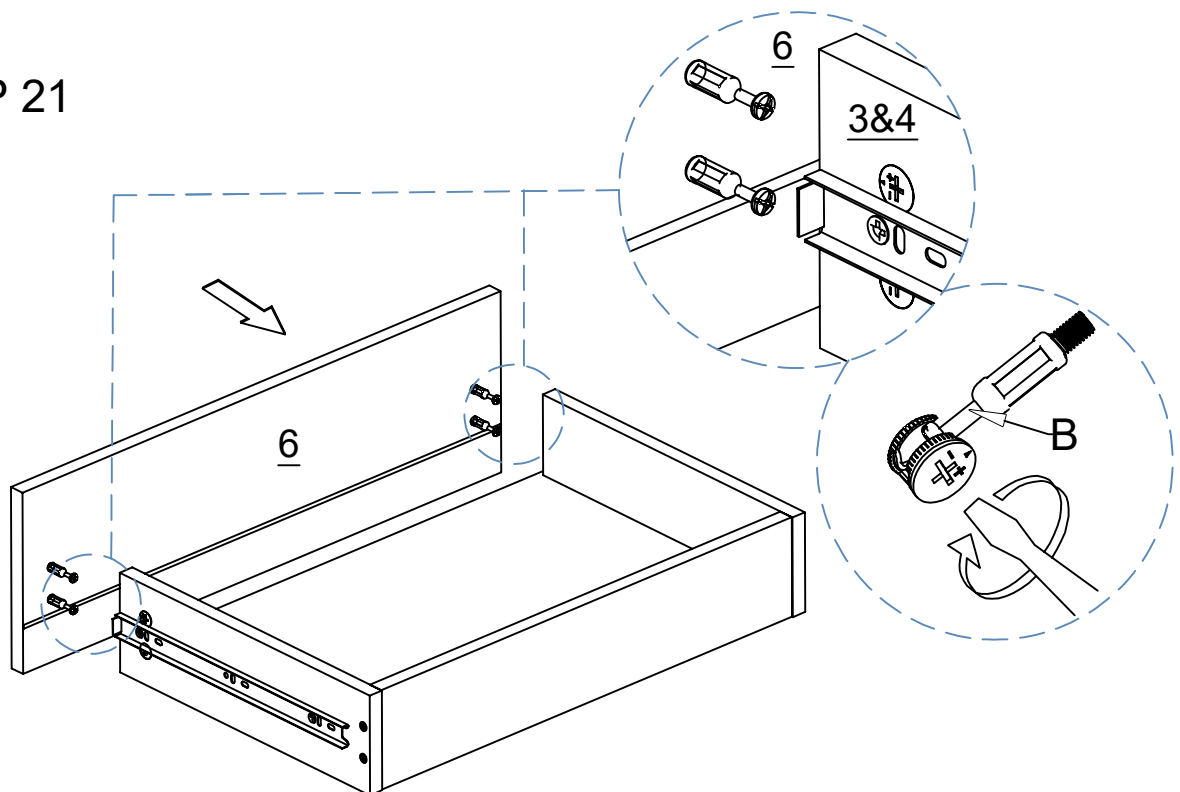
DRAWER X2

STEP 20



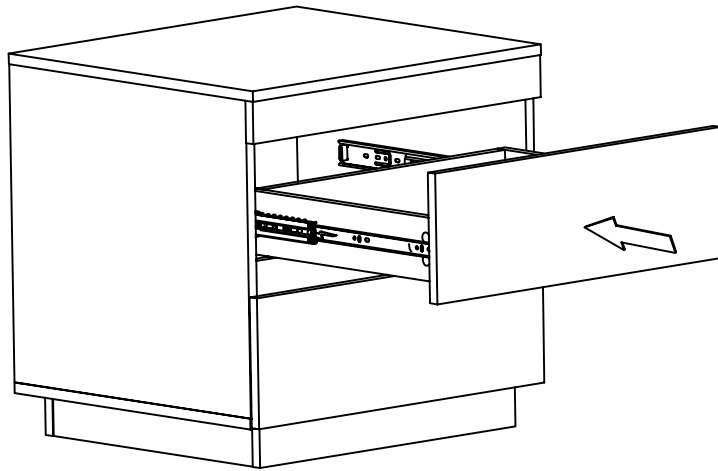
DRAWER X2

STEP 21



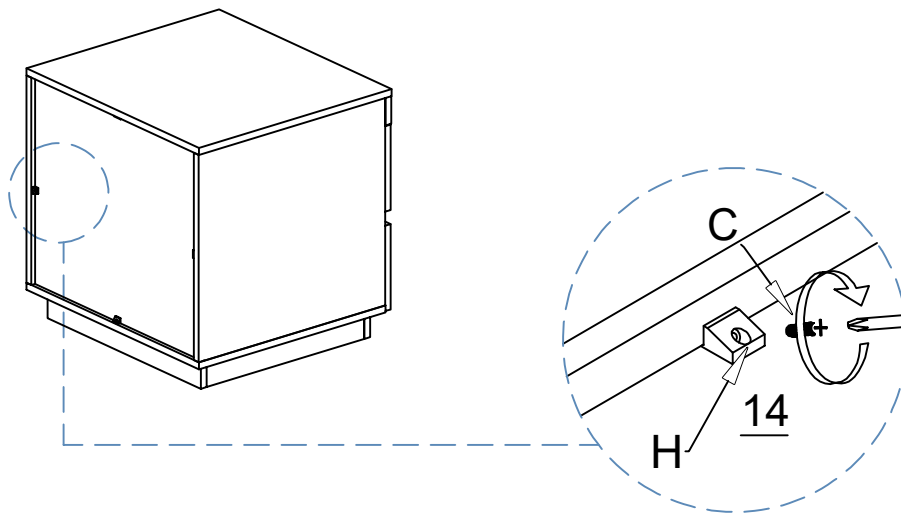
DRAWER X2

STEP 18



DRAWER X2

STEP 19



No.H
Quantity:4Pcs
Back Plate Clamp



No.C
Quantity:4Pcs
Screw M3.5*14mm



lifely.com.au

Great Job, You're done!

Don't forget to share how it looks in
your space and tag us on Instagram.

@lifelyhome#homewithlifely!