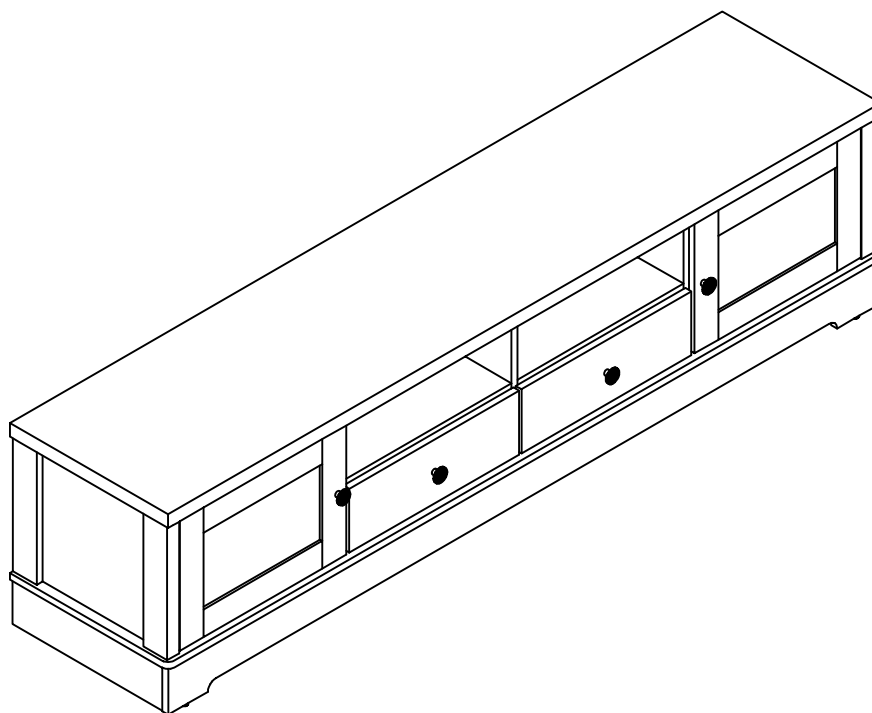


Assemble Instructions

Coco Series



Lifely*

Product Code
CCO-TV180-WHT TV STAND
Dimensions(W x D x H)
1800*400*445mm

Important

Please read through instructions carefully
Before assembly and keep for future reference.

For our full catalogue of assembly instructions,
Visit:lifely.com.au/assembly.

Important Tips and Maintenance



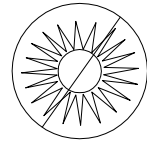
1. Keep children and animals away from working area as smaller parts may cause choking if swallowed



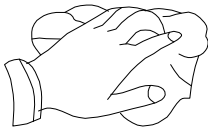
2. Never place liquids or anything damp upon furniture as it will mark. Ensure a coaster or running is beneath.



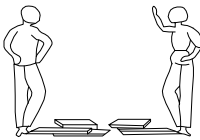
3. Never use ammonia based cleaning products as it will damage the finish.



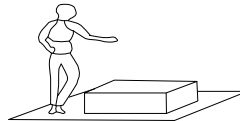
4. To avoid fading, keep furniture out of direct sunlight.



5. Use a soft or damp cloth (dry cloth) when wiping or cleaning surface.



6. Two person are required



7. Lay a soft mat down to protect the furniture pieces before and during assembly.

So your relationship is strong. But is it flat-pack furniture strong? Unless you're an aerospace engineer, assembling furniture can be slightly stressful. We recommend meditating quietly, pouring yourself a herbal tea (or slightly less herbal wine) and tackling things one step at a time. If you feel a passive aggressive remark coming on, try a compliment instead. E.g. "You're so good looking".

This 30-Step assembly should take around 85 minutes with an Allen Key-or 60 minutes with an electric drill.
Godspeed.

Designed for everyday

Components Hardware

Please check you have all the fittings
part or tools are listed in below.

No.A
Quantity:45Pcs
Cam Bolt



No.A
Quantity:45Pcs
Cam Nut



No.B
Quantity:36Pcs
Dowel



No.C
Quantity:62Pcs
Screw M3.5*14mm



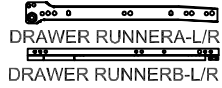
No.D
Quantity:4Pcs
HINGES



No.E
Quantity:6Pcs
Ground Nail



No.F
Quantity:2Pcs
Drawer Runner



No.G
Quantity:18Pcs
Screw M3.5*35mm



No.H
Quantity:4Pcs
Handle



No.I
Quantity:2Pcs
Dowel



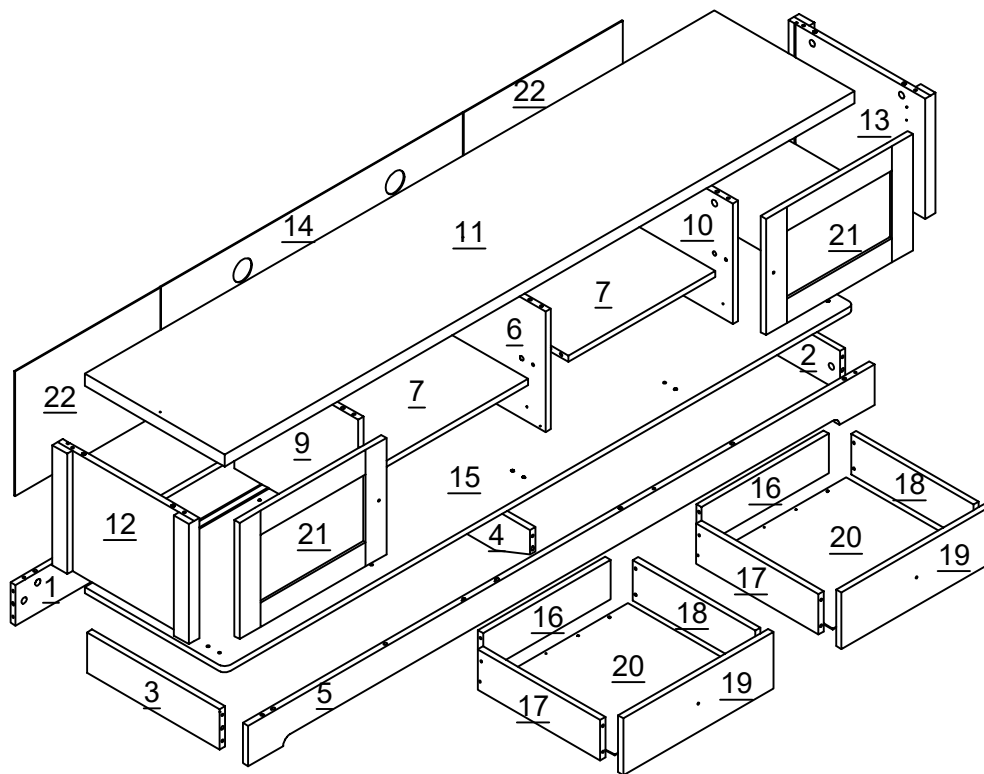
No.J
Quantity:18Pcs
Back Plate Clamp



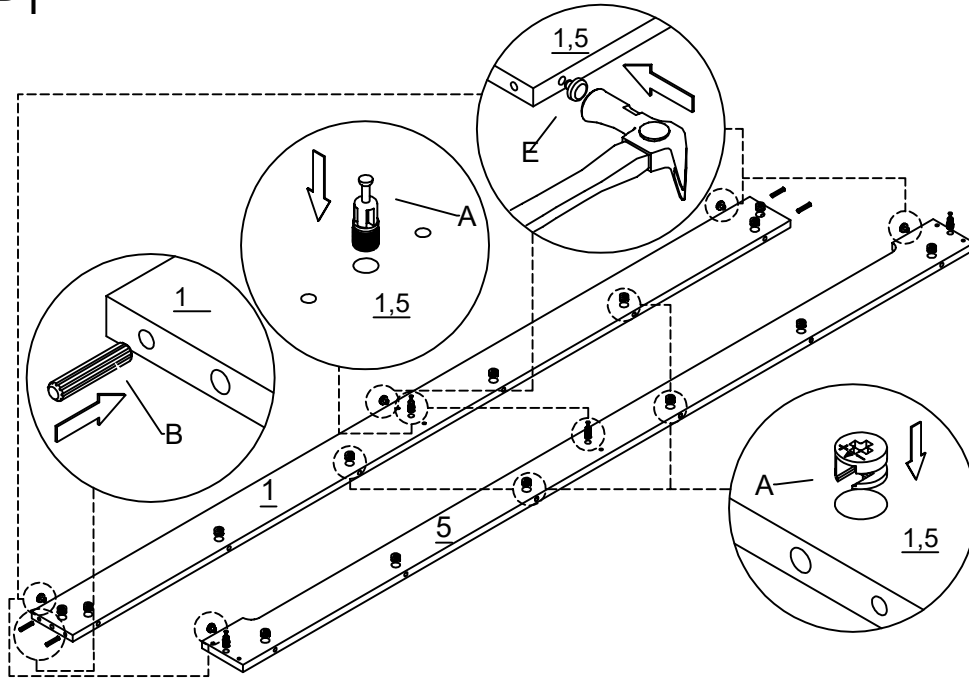
Components Panels & Part List

Please check you have all the panels are listed below.

- | | | | | | |
|------------------------|----|---------|-----------------------|----|---------|
| 1. Back leg | x1 | CTN 1/2 | 14. Back panel | x1 | CTN 1/2 |
| 2. Side leg_right | x1 | CTN 2/2 | 15. Bottom panel | x1 | CTN 1/2 |
| 3. Side leg_left | x1 | CTN 2/2 | 16. Drawer back | x2 | CTN 1/2 |
| 4. Center leg | x1 | CTN 2/2 | 17. Drawer side_left | x2 | CTN 1/2 |
| 5. Front leg | x1 | CTN 1/2 | 18. Drawer side_right | x2 | CTN 1/2 |
| 6. Centre panel | x1 | CTN 2/2 | 19. Drawer front | x2 | CTN 2/2 |
| 7. Shelf panel | x2 | CTN 2/2 | 20. Drawer base | x2 | CTN 2/2 |
| 9. Centre panel_left | x1 | CTN 2/2 | 21. Door panel | x2 | CTN 2/2 |
| 10. Centre panel_right | x1 | CTN 2/2 | 22. Back panel | x2 | CTN 1/2 |
| 11. Top panel | x1 | CTN 1/2 | | | |
| 12. Side panel_left | x1 | CTN 2/2 | | | |
| 13. Side panel_right | x1 | CTN 2/2 | | | |



STEP1



No.A
Quantity:4Pcs
Cam Bolt



No.A
Quantity:14Pcs
Cam Nut



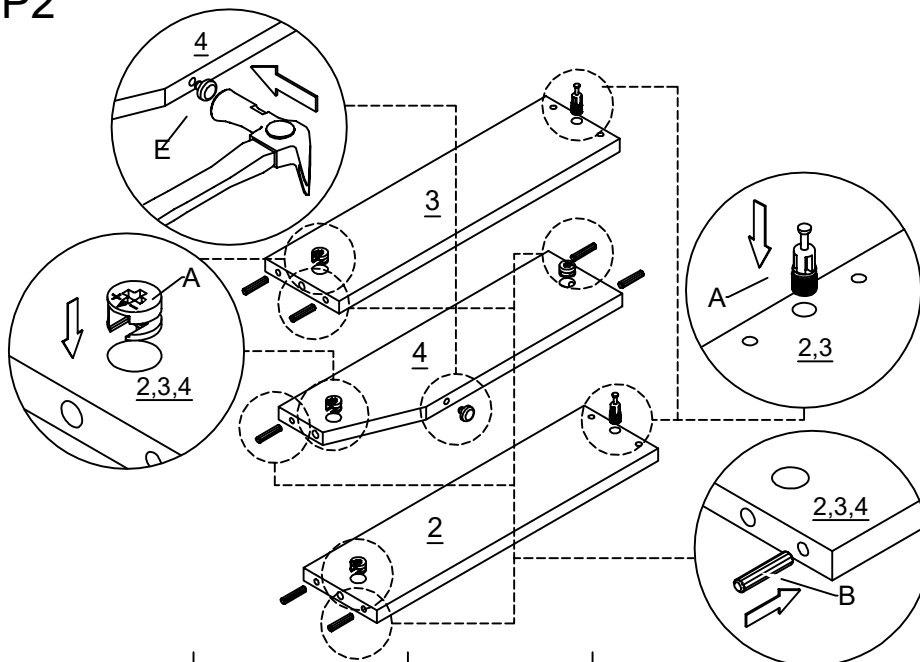
No.B
Quantity:4Pcs
Dowel



No.E
Quantity:5Pcs
Ground Nail



STEP2



No.A
Quantity:2Pcs
Cam Bolt



No.A
Quantity:3Pcs
Cam Nut



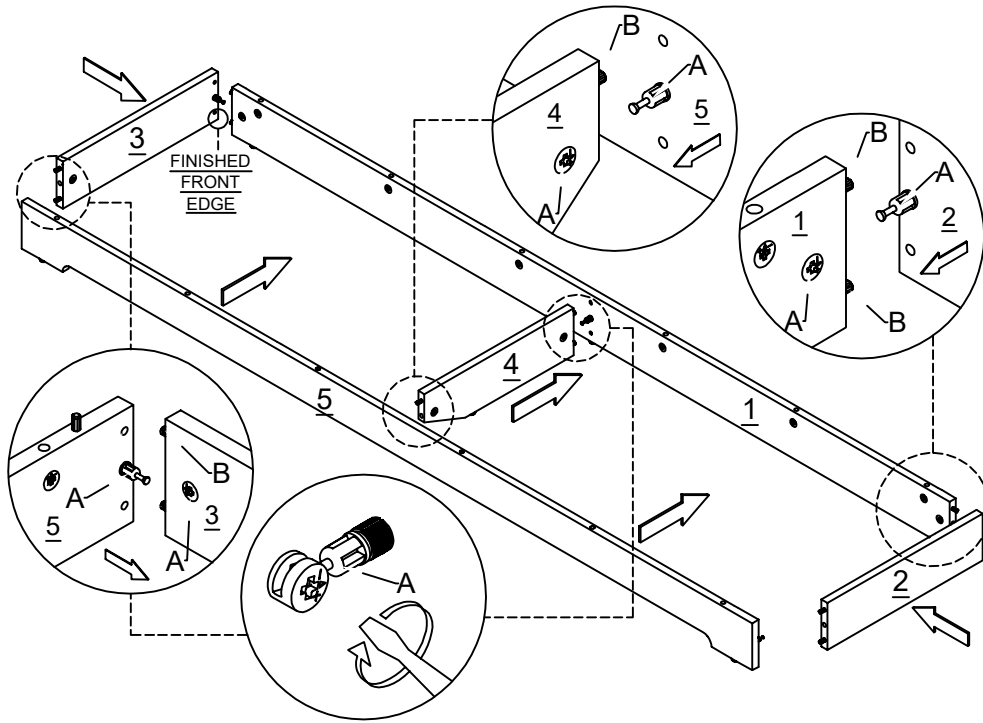
No.B
Quantity:7Pcs
Dowel



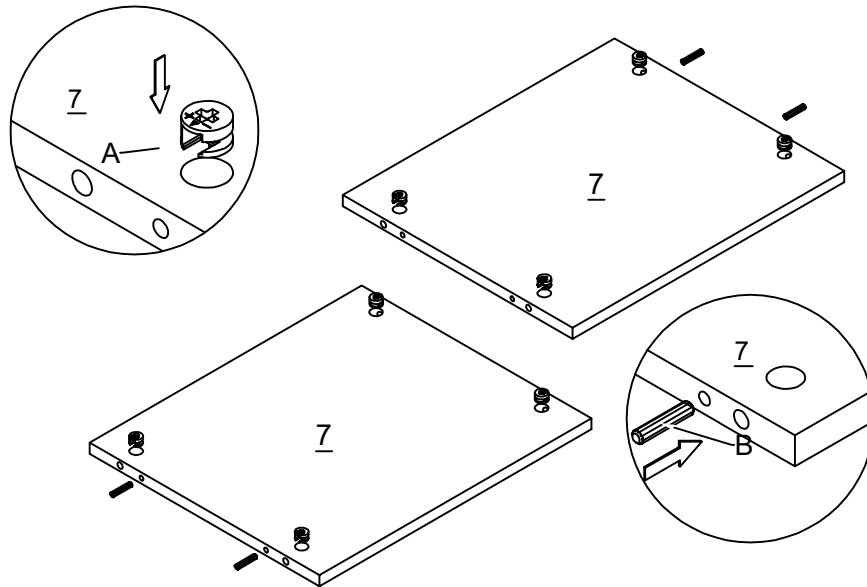
No.E
Quantity:1Pcs
Ground Nail



STEP3



STEP4



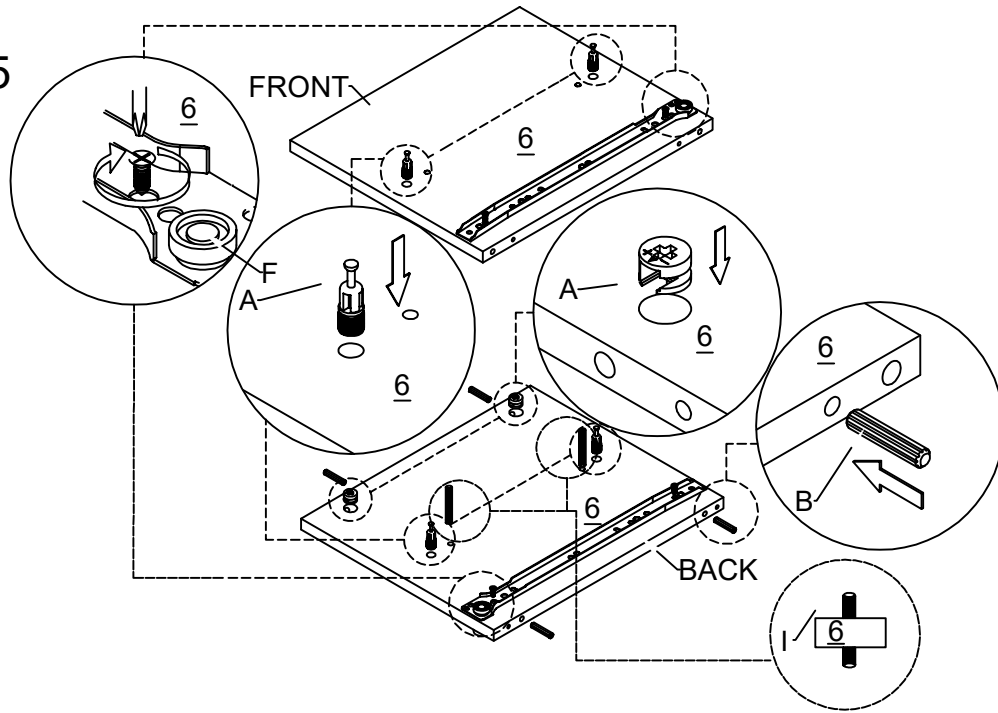
No.A
Quantity:8Pcs
Cam Nut



No.B
Quantity:4Pcs
Dowel



STEP5



No.A
Quantity:4Pcs
Cam Bolt



No.A
Quantity:2Pcs
Cam Nut



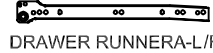
No.B
Quantity:4Pcs
Dowel



No.C
Quantity:4Pcs
Screw M3.5*14mm



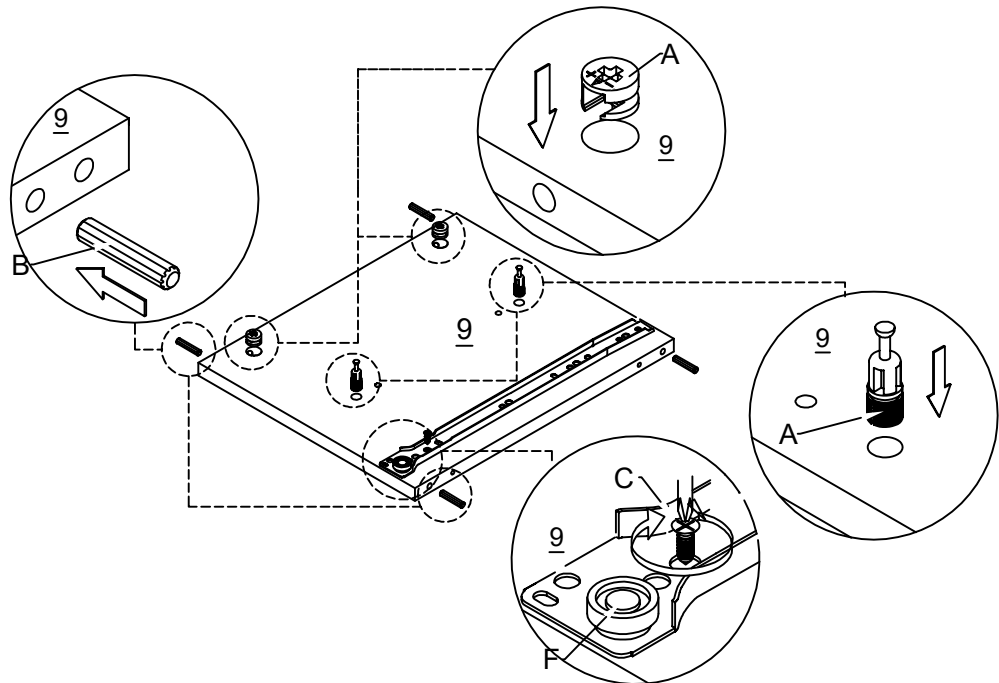
No.F
Quantity:2Pcs
Drawer Runner



No.I
Quantity:2Pcs
Dowel



STEP6



No.A
Quantity:2Pcs
Cam Bolt



No.A
Quantity:2Pcs
Cam Nut



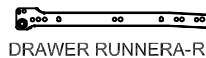
No.B
Quantity:4Pcs
Dowel



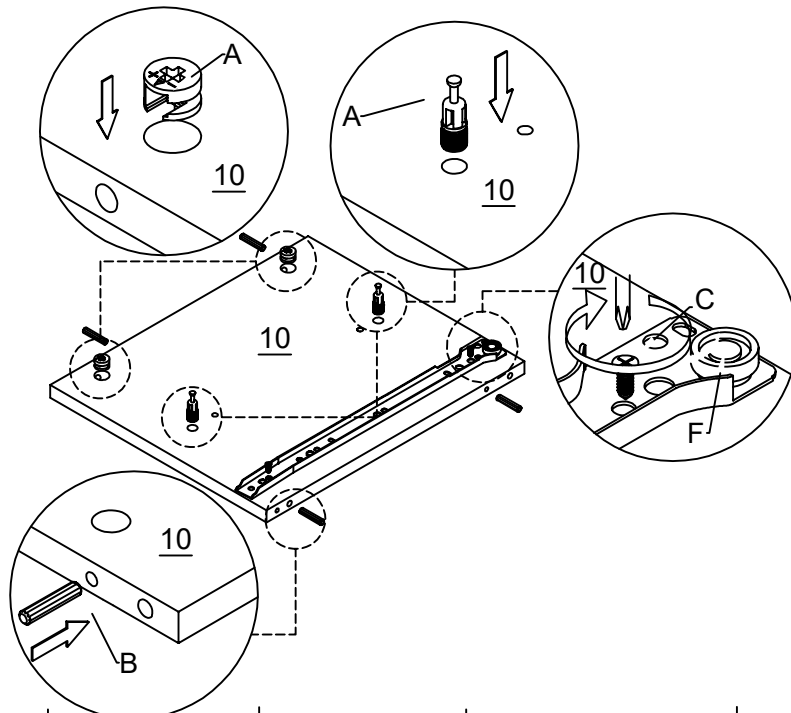
No.C
Quantity:2Pcs
Screw M3.5*14mm



No.F
Quantity:1Pcs
Drawer Runner



STEP 7



No.A
Quantity:2Pcs
Cam Bolt



No.A
Quantity:2Pcs
Cam Nut



No.B
Quantity:4Pcs
Dowel



No.C
Quantity:4Pcs
Screw M3.5*14mm

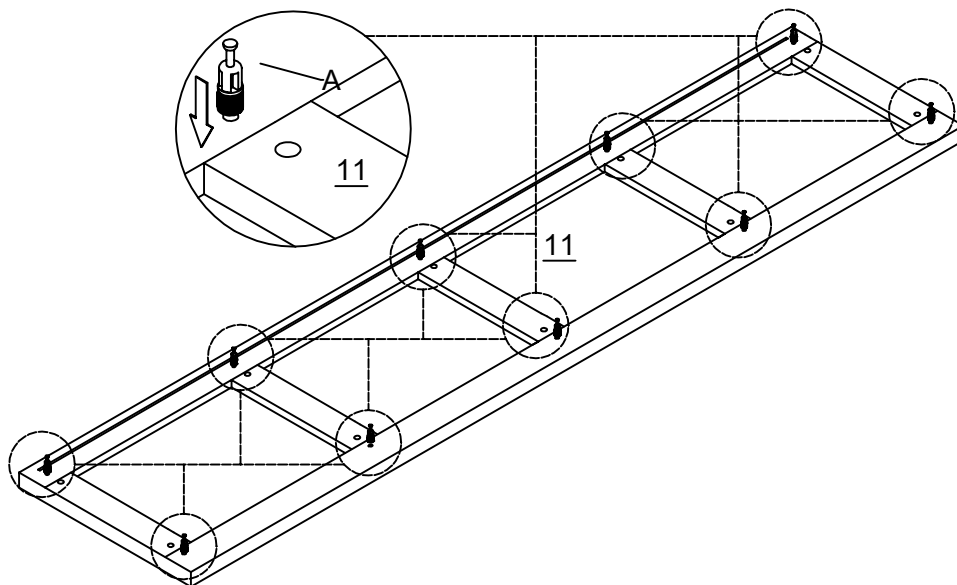


No.F
Quantity:1Pcs
Drawer Runner



DRAWER RUNNER-L

STEP 8

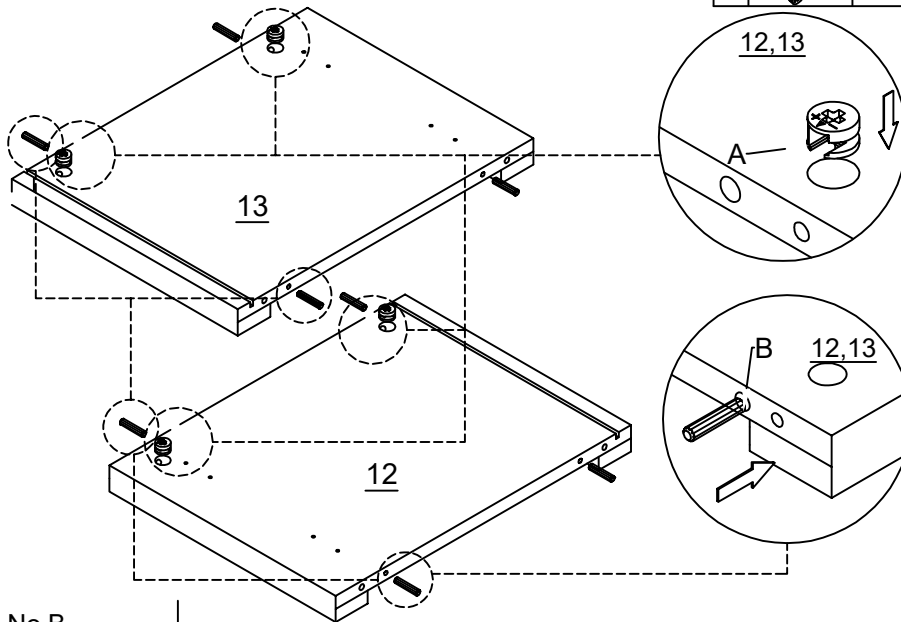


No.A
Quantity:10Pcs
Cam Bolt



STEP 9

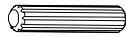
HARDWARE NEEDED:		
B.		8PCS
A.		4PCS



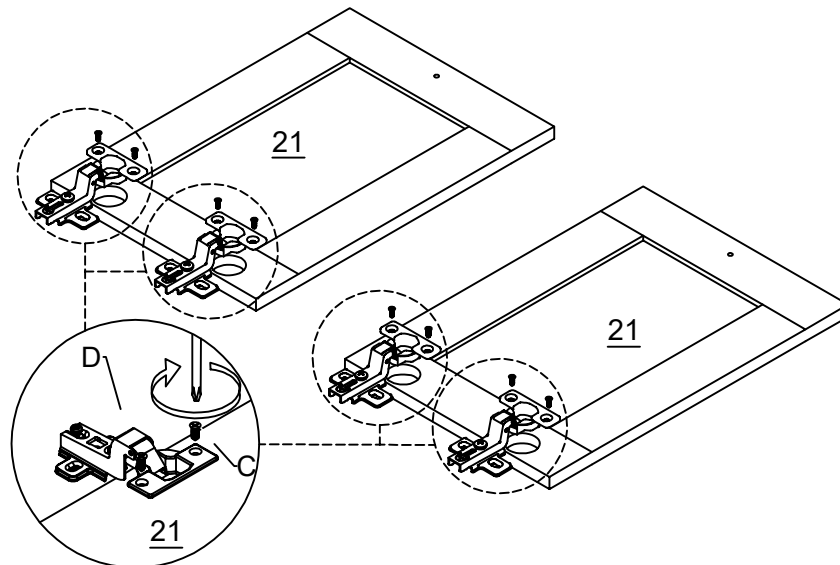
No.A
Quantity:4Pcs
Cam Nut



No.B
Quantity:8Pcs
Dowel



STEP 10



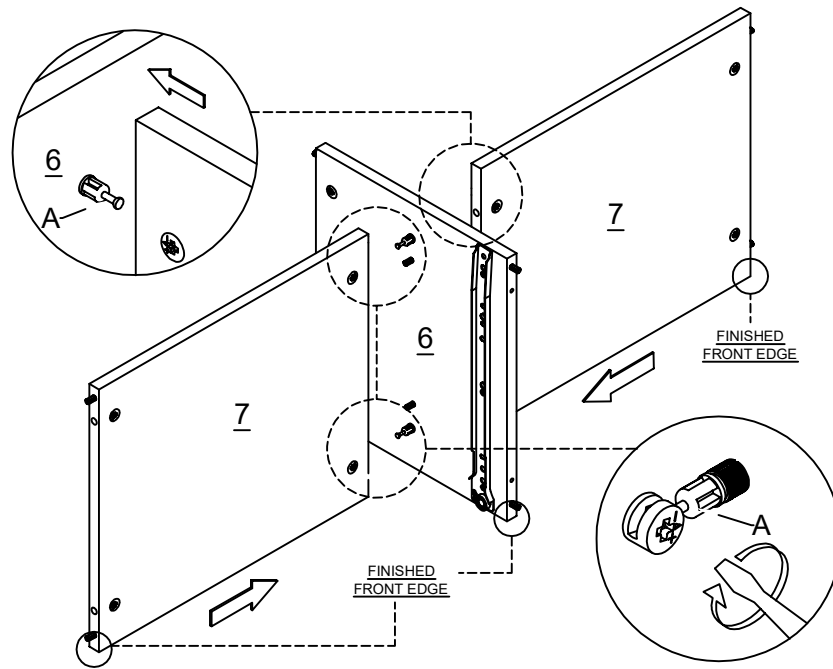
No.C
Quantity:8Pcs
Screw M3.5*14mm



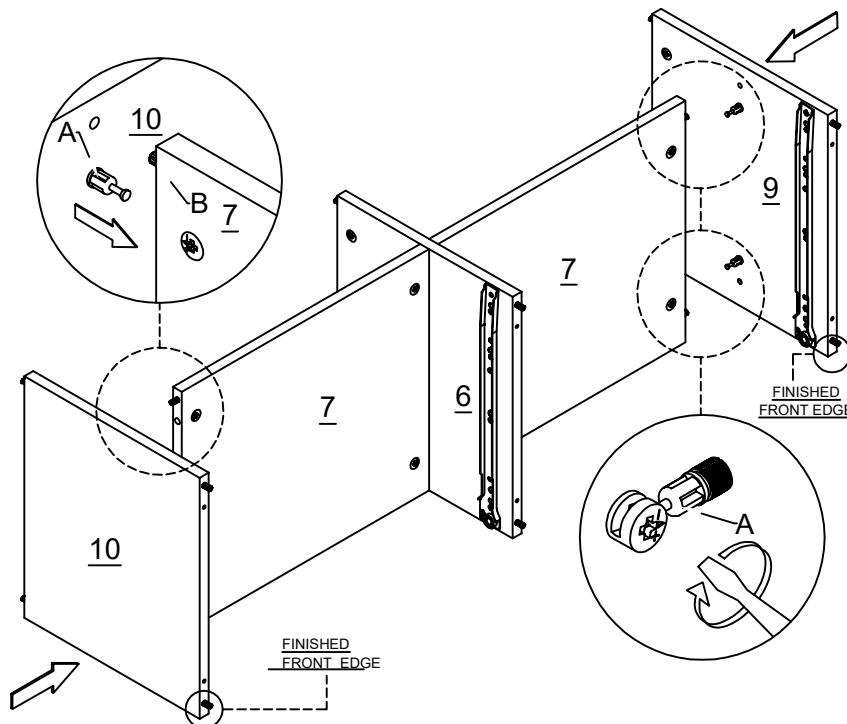
No.D
Quantity:4Pcs
HINGES



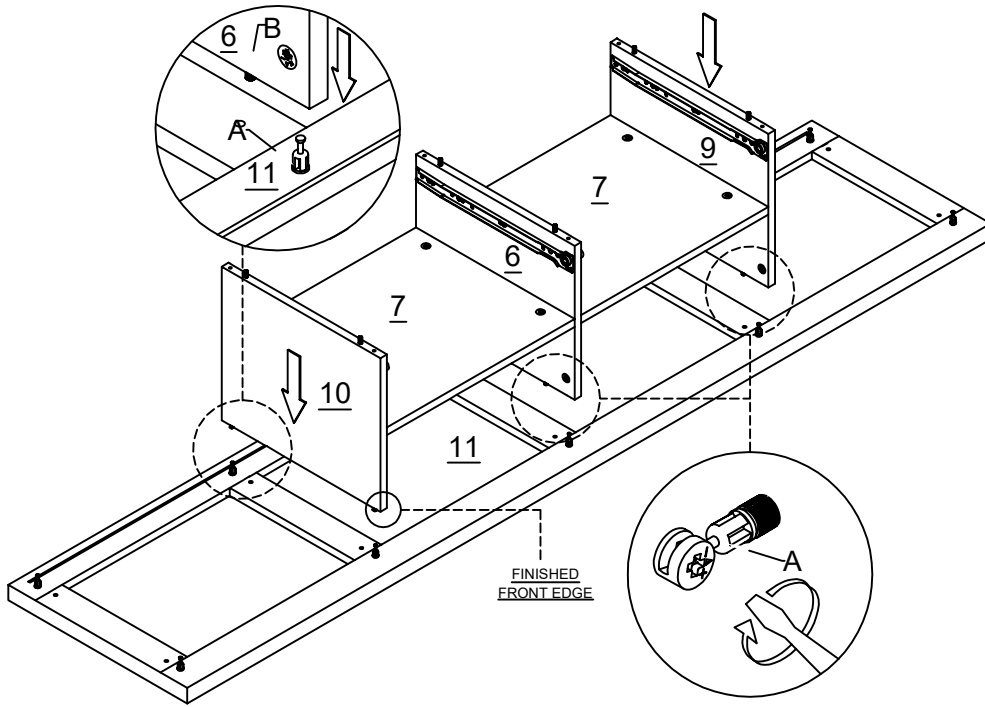
STEP 11



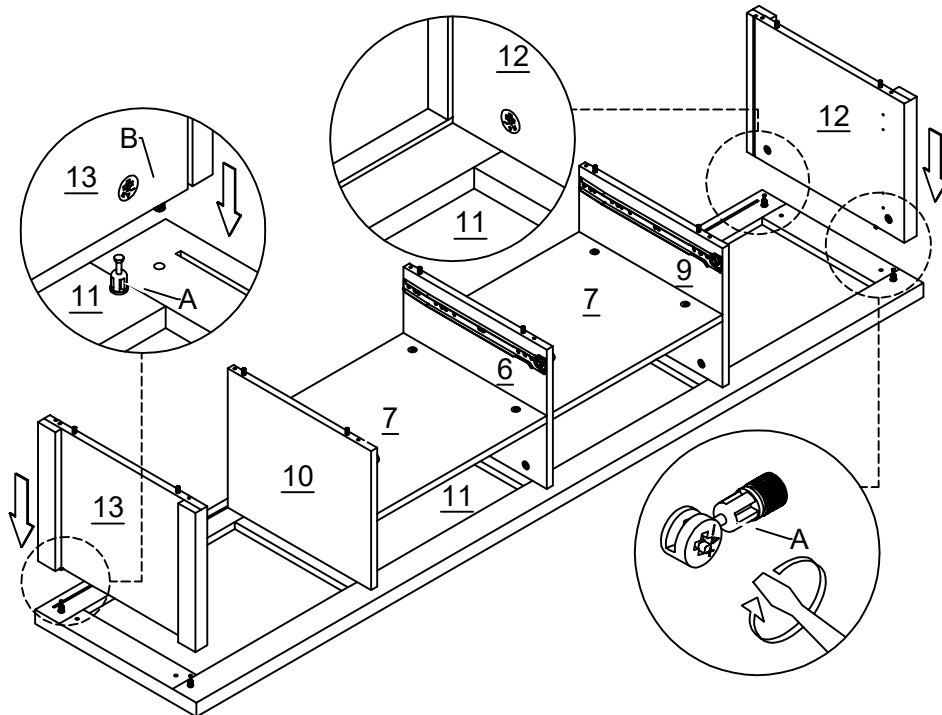
STEP 12



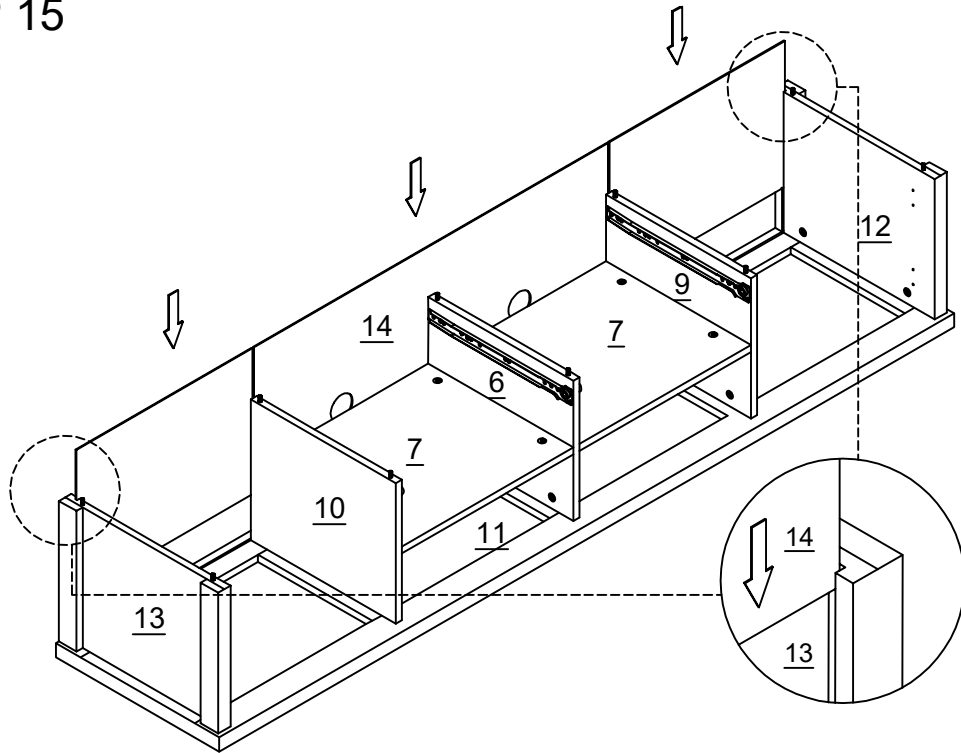
STEP 13



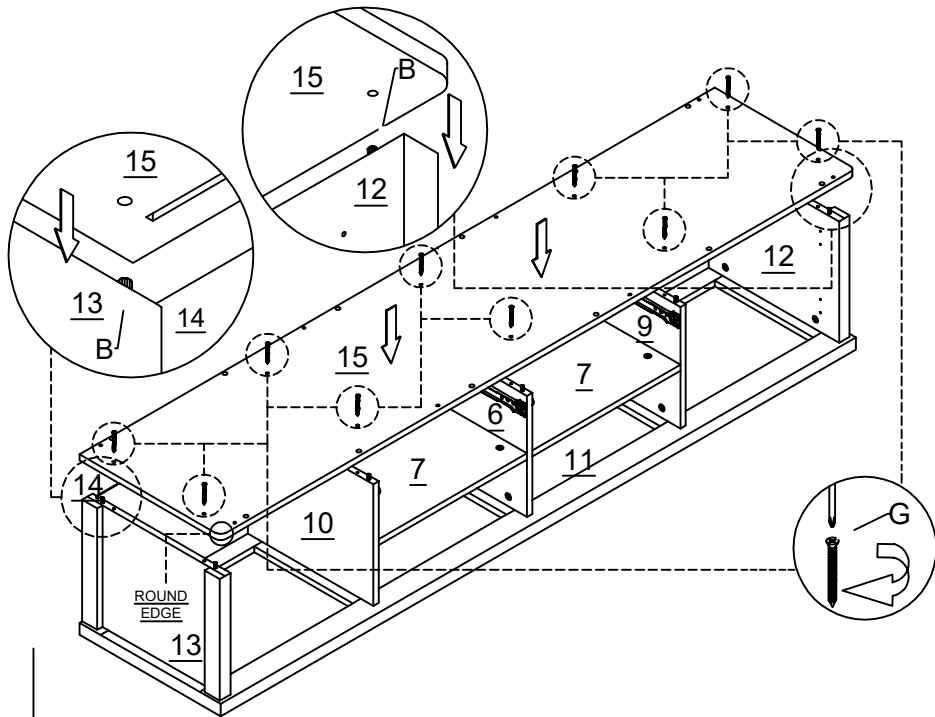
STEP 14



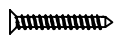
STEP 15



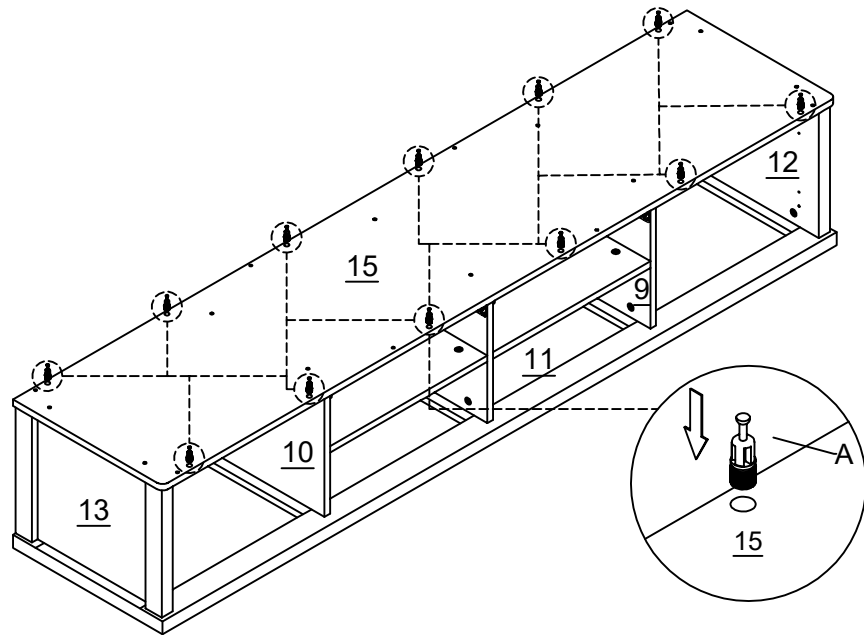
STEP 16



No.G
Quantity:10Pcs
Screw M3.5*35mm



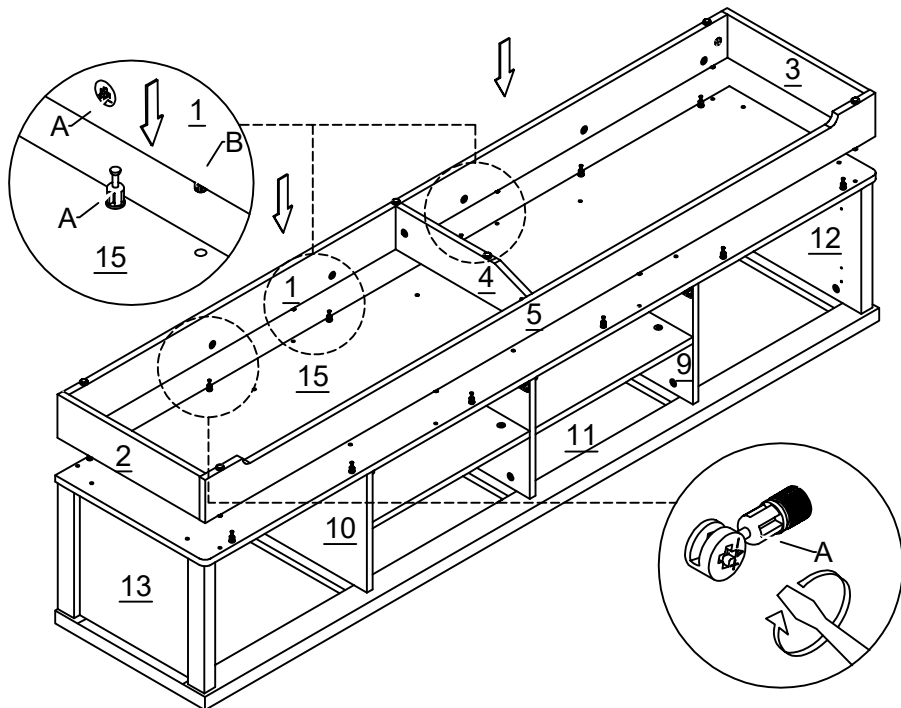
STEP 17



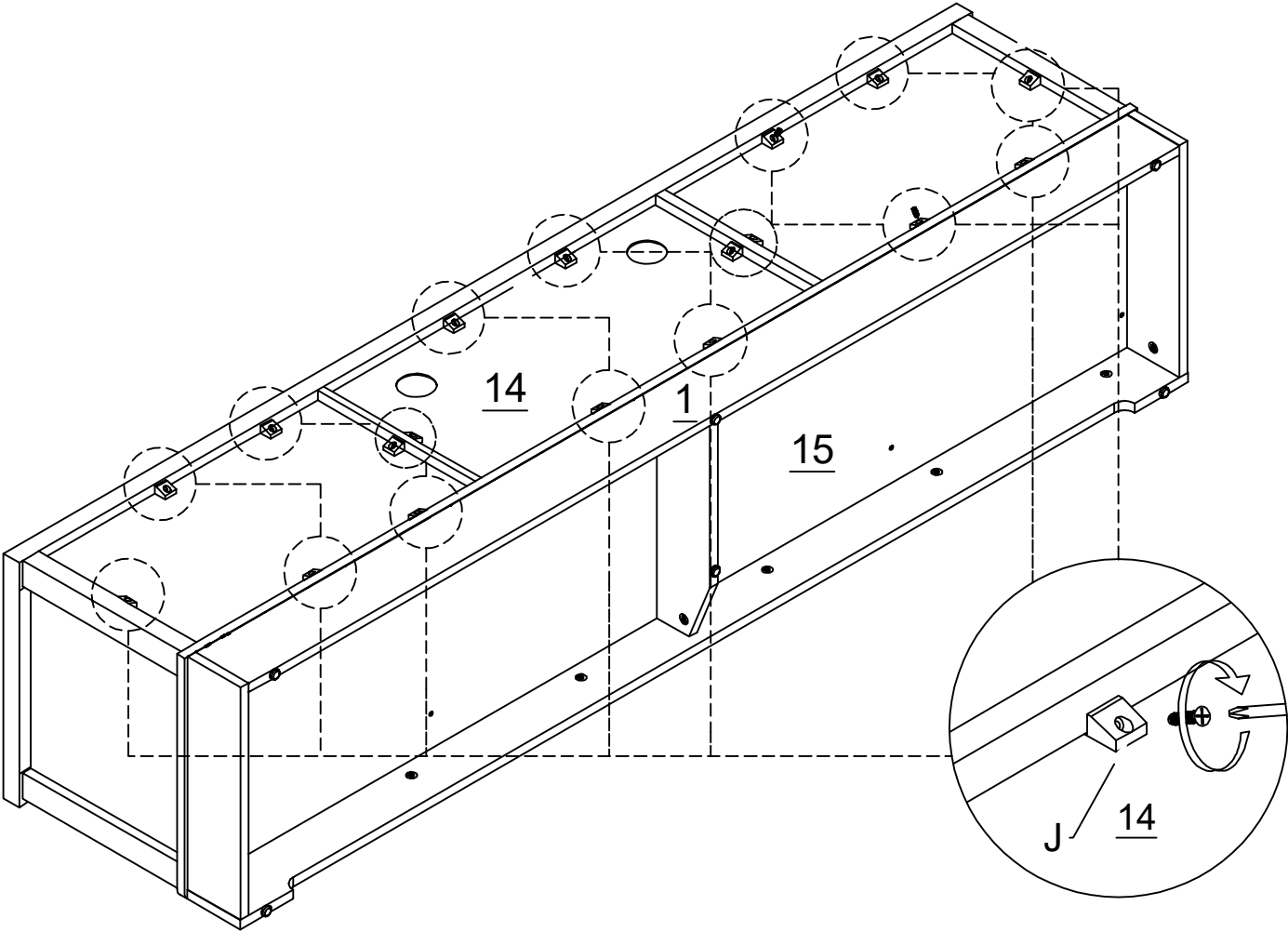
No.A
Quantity:12Pcs
Cam Bolt



STEP 18



STEP 19



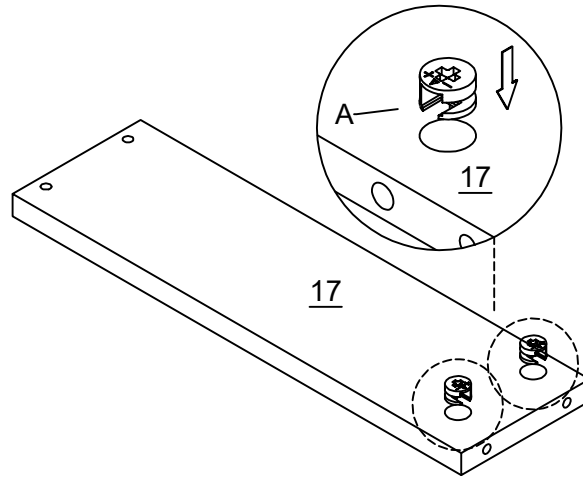
No.C
Quantity: 18Pcs
Screw M3.5*14mm



No.J
Quantity: 18Pcs
Back Plate Clamp



STEP 20

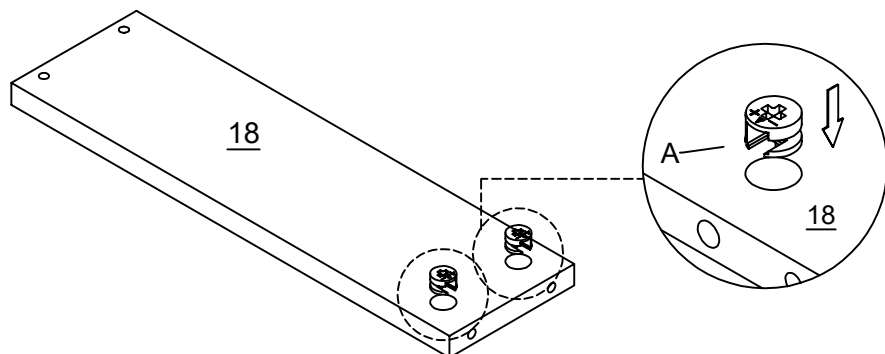


No.A
Quantity:4Pcs
Cam Nut



2xDrawer

STEP 21

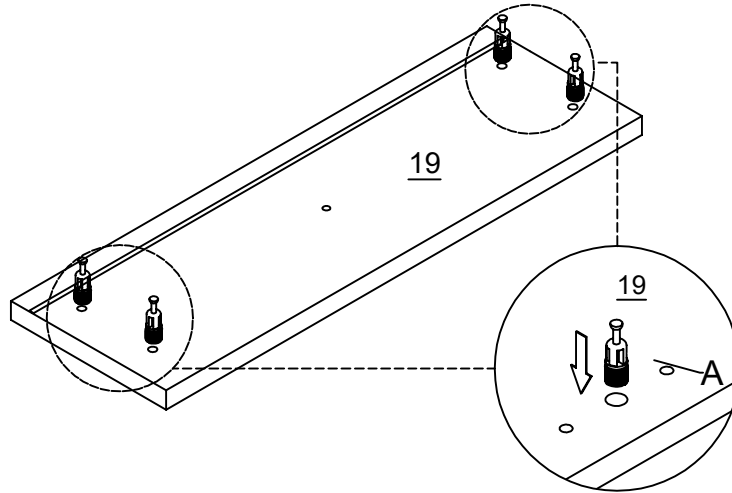


No.A
Quantity:4Pcs
Cam Nut



2xDrawer

STEP 22

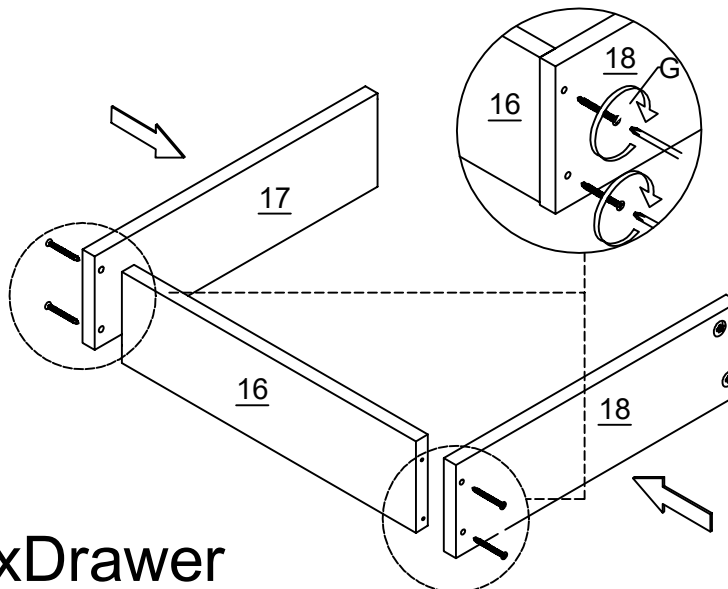


No.A
Quantity:8Pcs
Cam Bolt

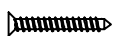


2xDrawer

STEP 23

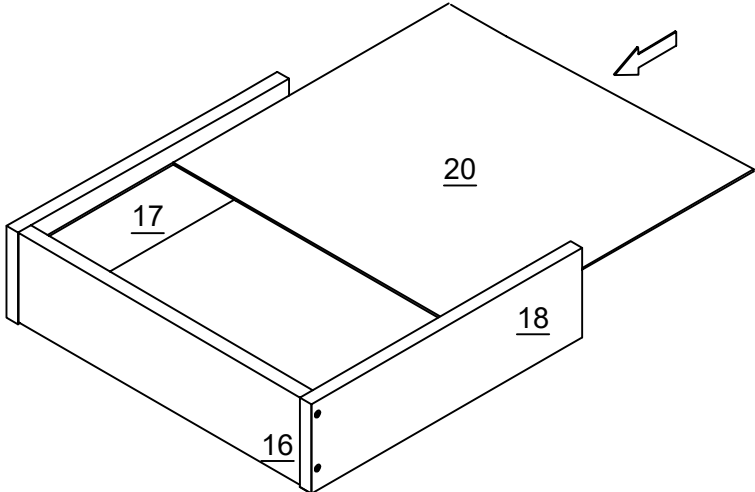


No.G
Quantity:8Pcs
Screw M3.5*35mm



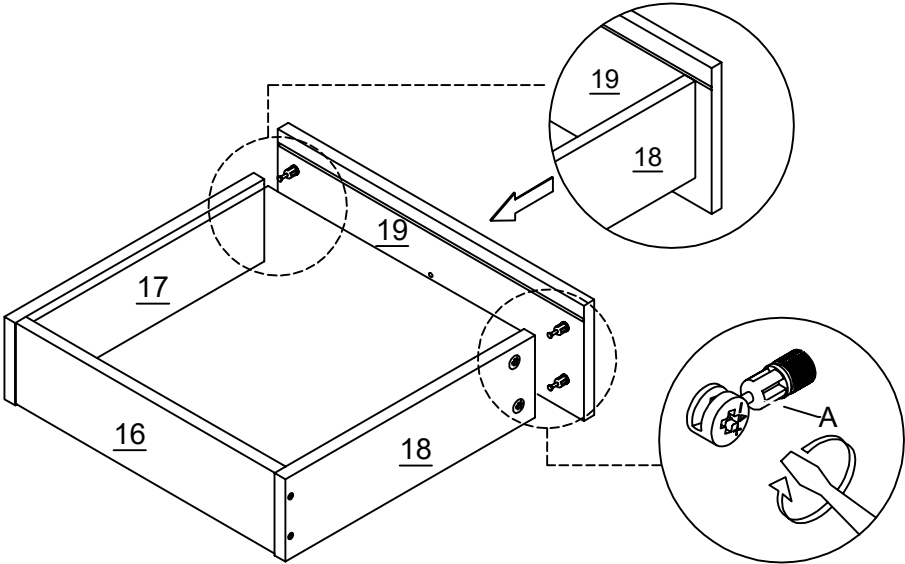
2xDrawer

STEP 24



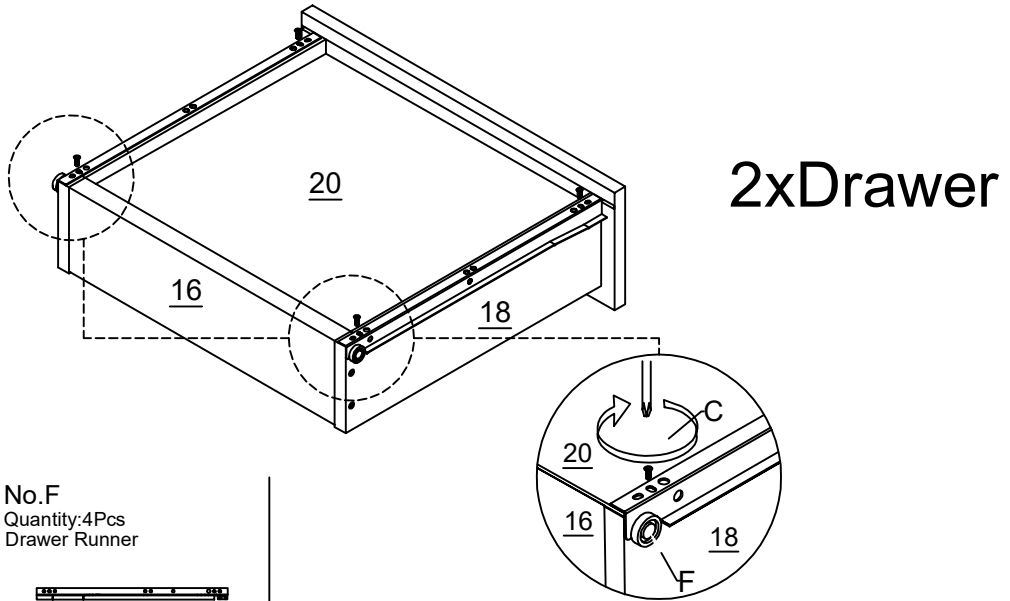
2xDrawer

STEP 25



2xDrawer

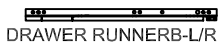
STEP 26



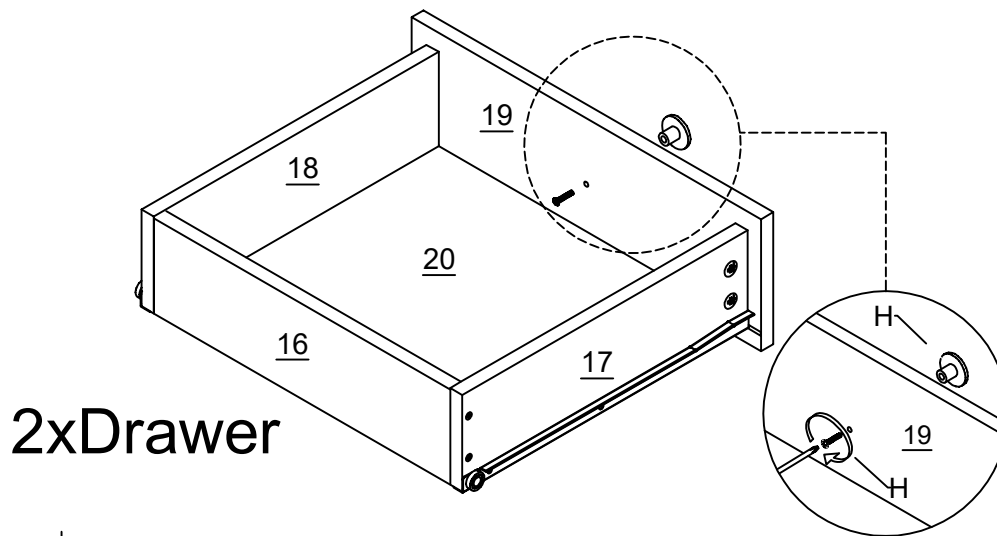
No.C
Quantity:8Pcs
Screw M3.5*14mm



No.F
Quantity:4Pcs
Drawer Runner



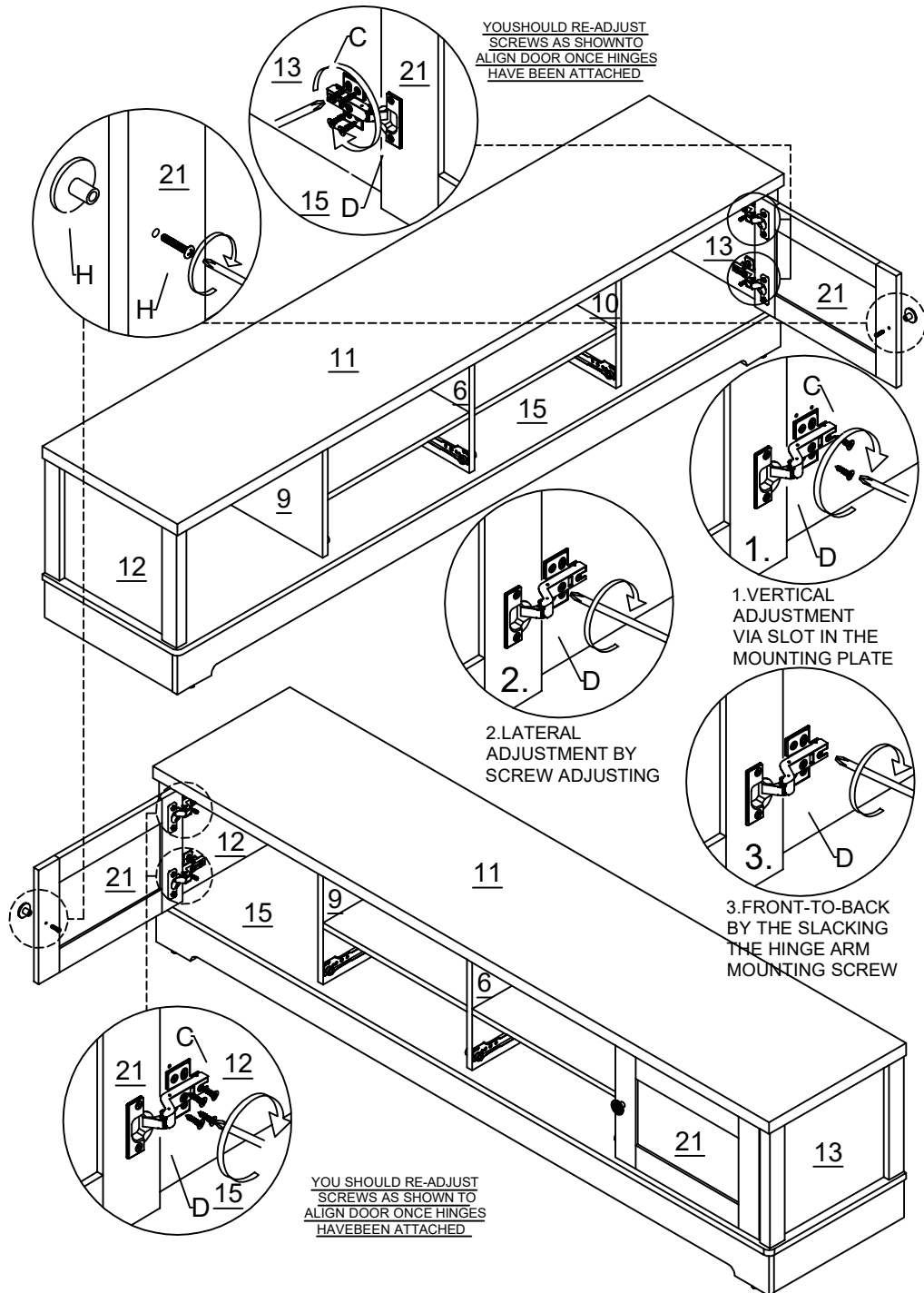
STEP 27



No.H
Quantity:2Pcs
Handle



STEP 28



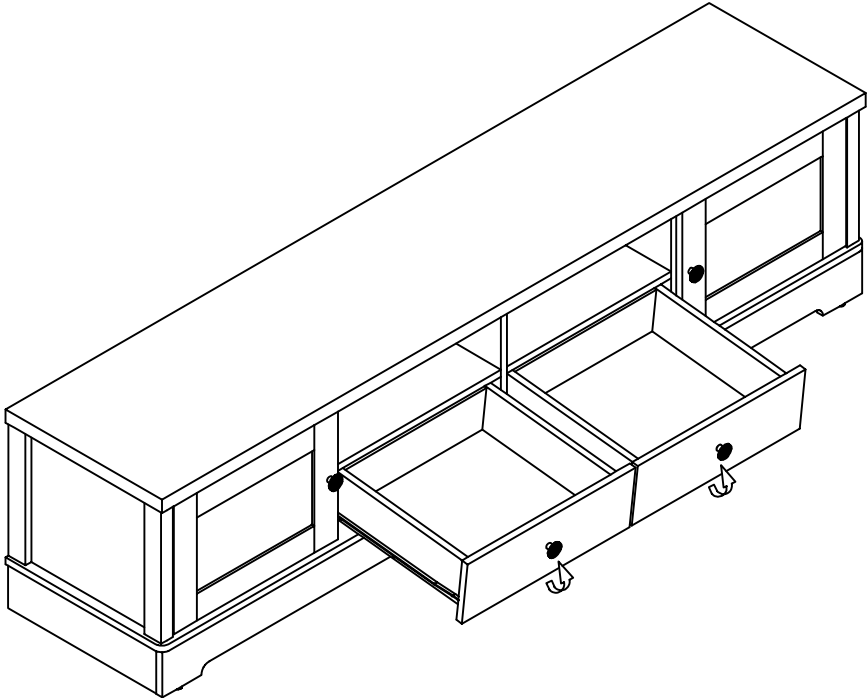
No.H
Quantity:2Pcs
Handle



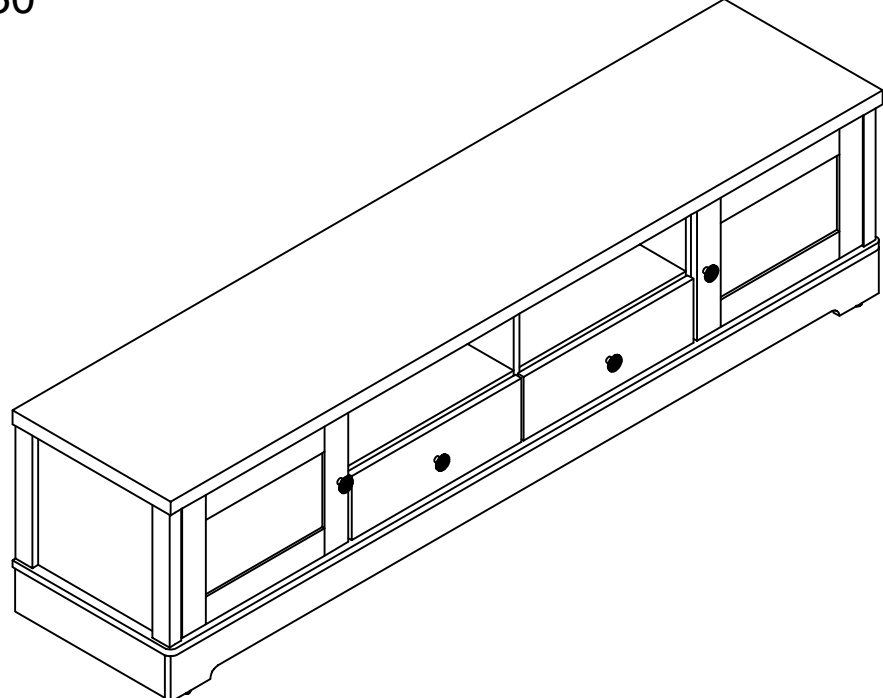
No.C
Quantity:16Pcs
Screw M3.5*14mm



STEP 29



STEP 30



lifely.com.au

Great Job, You're done!

Don't forget to share how it looks in
your space and tag us on Instagram.

@lifelyhome#homewithlifely!