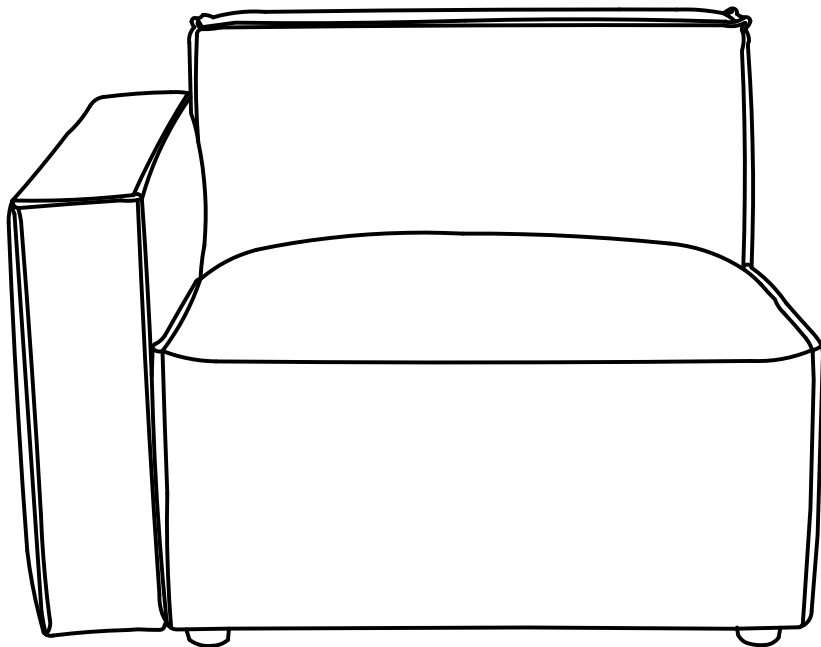


# Assembly Instructions

## Bradley Series



# eliving

**Product Code**  
BRDY-SOFA-LEFT  
Bradley Left Arm Sofa  
**Dimensions (W x H x D)**  
94cmX68.5cmX86.5cm

---

#### Important

Please read through instruction carefully before assembly and keep for future reference.

For our full catalogue of assembly instructions, visit: [elivingfurniture.com.au/assembly](http://elivingfurniture.com.au/assembly).

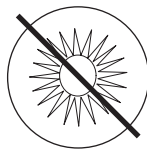
## Important Tips and Maintenance



1. Keep children and animals away from working area as smaller parts may cause choking if swallowed.



2. Never place liquids or anything damp upon furniture as it will mark. Ensure a coaster or running is beneath.



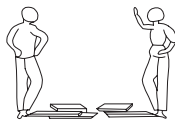
3. Never use ammonia based cleaning products as it will damage the finish.



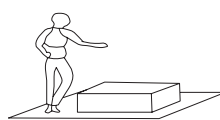
4. To avoid fading, keep furniture out of direct sunlight.



5. Use a soft or damp cloth (dry cloth) when wiping or cleaning surfaces.



6. Two person are required.



7. Lay a soft matt down to protect the furniture piece before and during assembly.

So your relationship is strong. But is it flat-pack furniture strong? Unless you're an aerospace engineer, assembling furniture can be slightly stressful. We recommend meditating quietly, pouring yourself a herbal tea (or slightly less herbal wine) and tackling things one step at a time. If you feel a passive aggressive remark coming on, try a compliment instead. E.g. "You're so good looking."

This 4-step assembly should take around 15 minutes.  
Godspeed.

Designed for everyday

### Component Hardware

Please check you have all the fittings  
part or tools are listed in below.

**No. A**  
Quantity: 6 Pcs

**Legs**  
H30mm



**No. B**  
Quantity: 5 Pcs

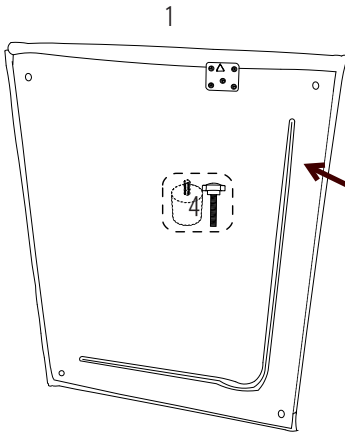
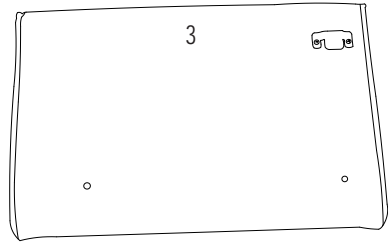
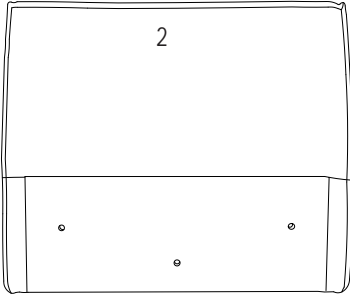
**Allen Key**  
M10x50mm



### Component Panels & Part List

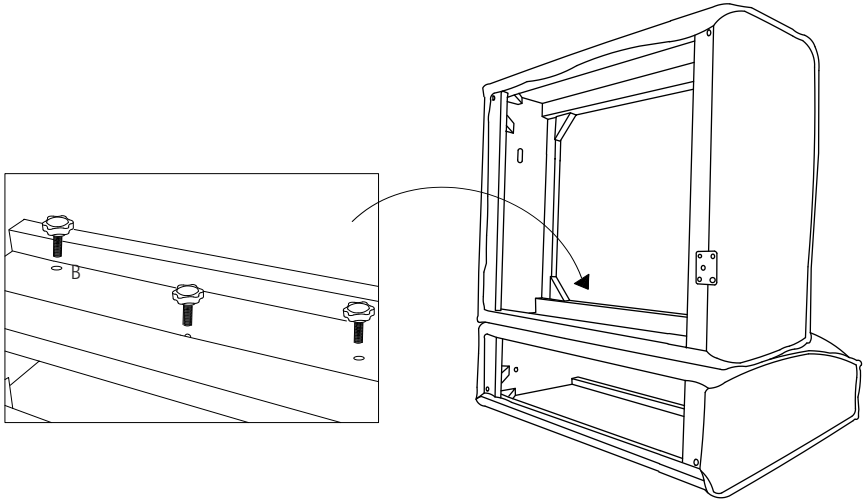
Please check you have all the panels listed below.

1. The body of the left arm sofa ..... x1
2. The back of the sofa ..... x1
3. Sofa armrest ..... x1
4. Hardware package ..... x1



Unzip the bottom fabric and take out the part 4

STEP 1



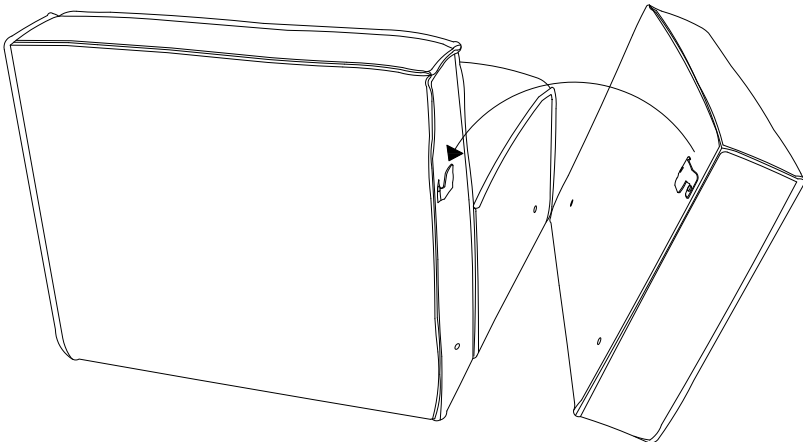
No. B  
Quantity: 3 Pcs

Allen Key  
M10x50mm



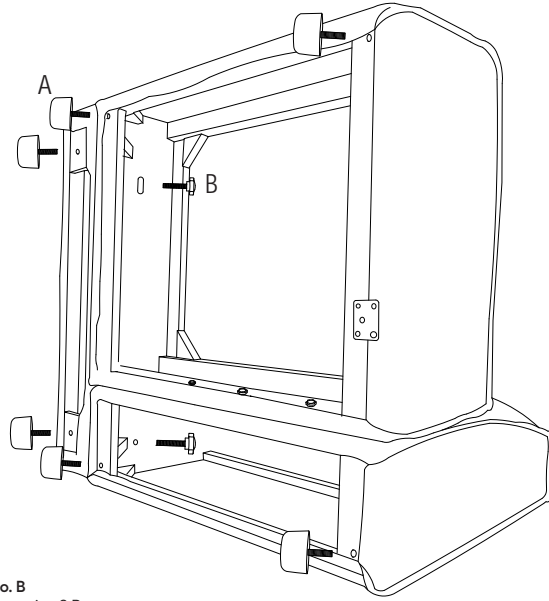
---

STEP 2



Ensure to attach the armrest in the right position and properly align the holes before screwing them in.

STEP 3



No. A  
Quantity: 6 Pcs

Front legs  
H30mm



No. B  
Quantity: 2 Pcs

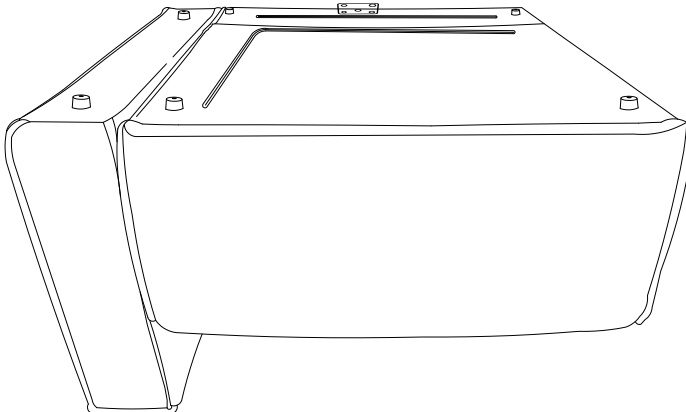
Allen Key  
M10x50mm

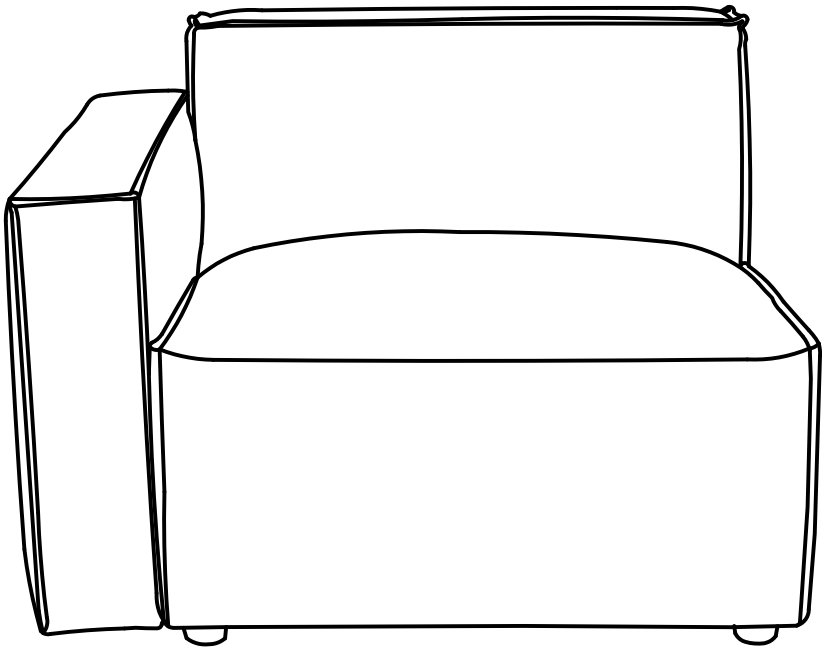


---

STEP 4

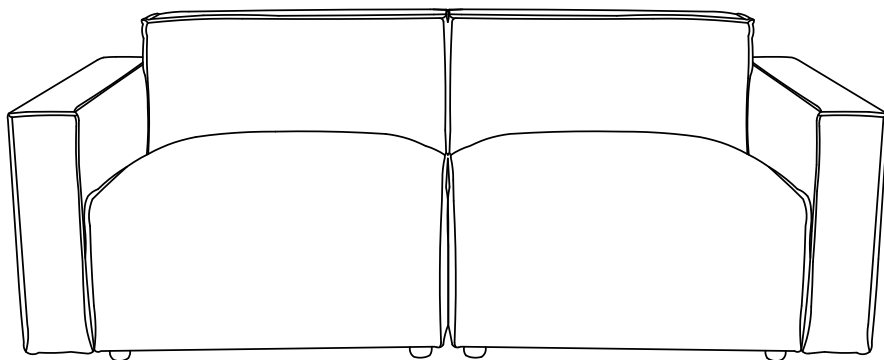
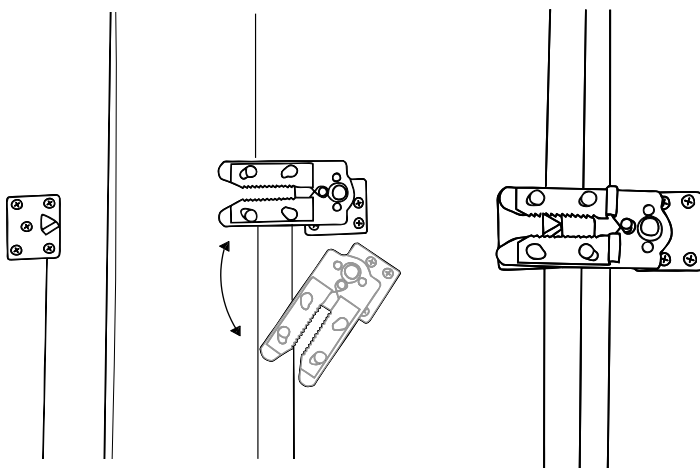
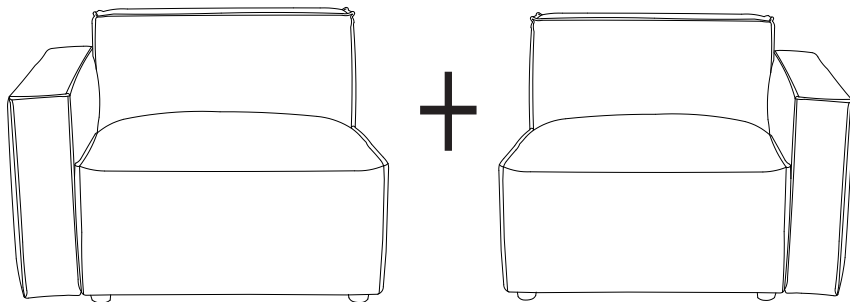
Zipper the bottom fabric





Bradley Left Arm Sofa 6





Great job. You're done!

Don't forget to share how it looks in  
your space and tag us on Instagram.

[@elivingfurniture.com.au](https://www.instagram.com/elivingfurniture.com.au)