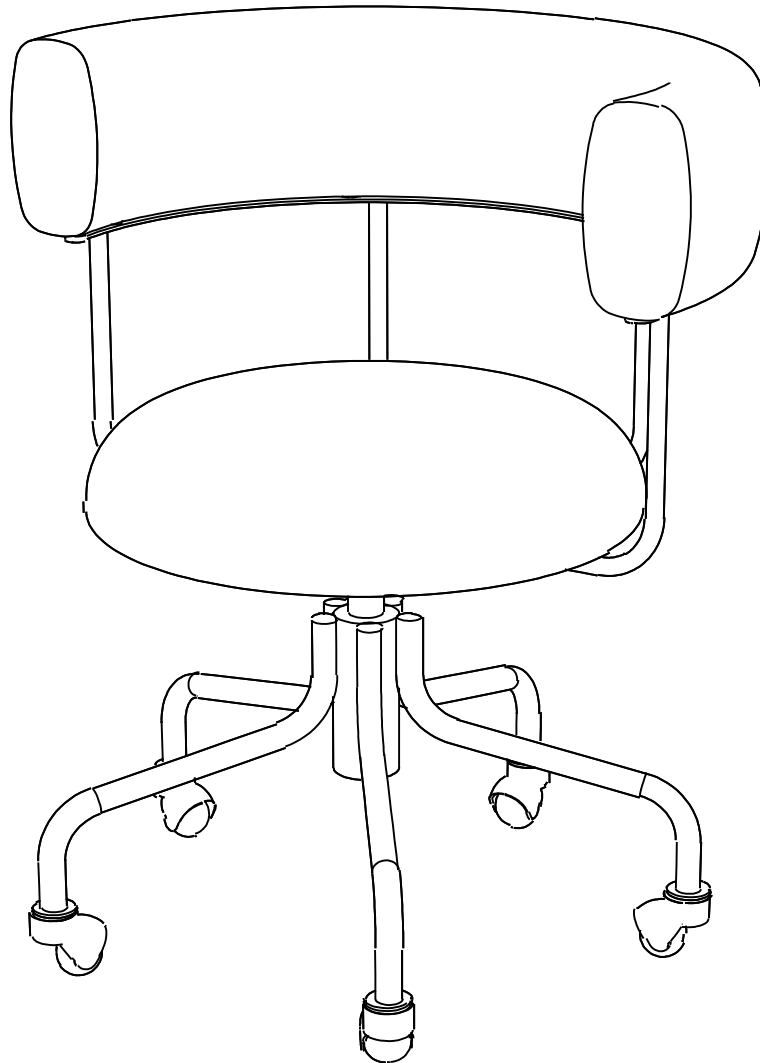


Assembly Instructions

Poppy Office Chair



Lifely*

Product Code

POPY-OC Poppy Office Chair

Dimensions(WxDxH)

665x585x745mm

Important

Please read through instruction carefully
Before assembly and keep for future reference.

For our full catalogue of assembly instructions
Visit: lifely.com.au/assembly.

Important Tips and Maintenance



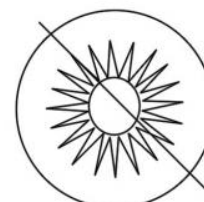
1. Keep children and animals away from working area as smaller parts may cause choking if swallowed.



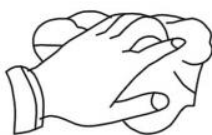
2. Never place liquids or anything damp upon furniture as it will mark. Ensure a coaster or running is beneath.



3. Never use ammonia based cleaning products as it will damage the finish.



4. To avoid fading, keep furniture out of direct sunlight.



5. Use a soft or damp cloth (dry cloth) when wiping or cleaning surfaces.



6. Two person are required.



7. Lay a soft matt down to protect the furniture piece before and during assembly.

So your relationship is strong. But is it flat-pack furniture strong? Unless you're an aerospace engineer assembling furniture can be slightly stressful. We recommend meditating quietly, pouring yourself a herbal tea(or slightly less herbal wine) and tackling things one step at a time. If you feel a passive aggressive remark coming on,try a compliment instead .E.g. "You're so good looking"

This 4-Step assembly should take around 40 minutes with an Allen Key or 20 minutes with an electric drill. Godspeed.

Designed for everyday

Component Hardware

Please check you have all the fittings part or tools are listed in below.

NO.A

Quantity: 8pcs
Screw M6x25mm



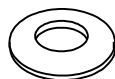
NO.B

Quantity: 4 pcs
Screw M6x25mm



NO.C

Quantity: 8pcs
Washer



NO.D

Quantity: 4 pcs
Washer



NO.E

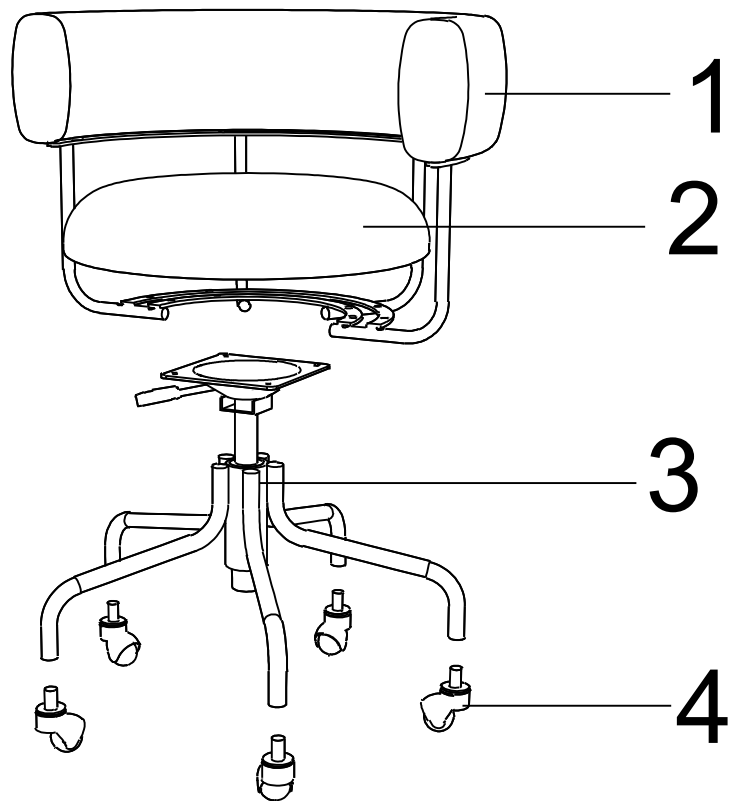
Quantity: 1 pc
Allen Key M4



Component Panels & part List

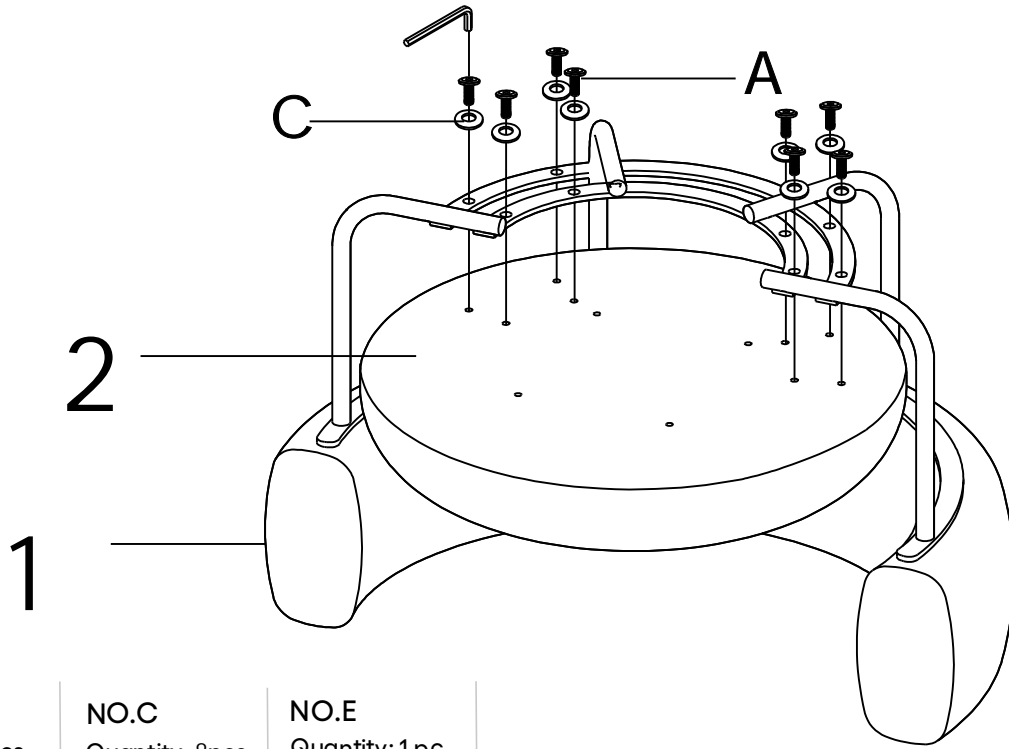
Please check you have all the panels are listed below.

- 1. Backrest ----- x1
- 2. Seat ----- x1
- 3. Base ----- x1
- 4. Wheel ----- x5



STEP 1

Fasten all the screws by hand 80%, then tighten them fully by Allen Key.



NO.A
Quantity: 8pcs
Screw M6x25mm



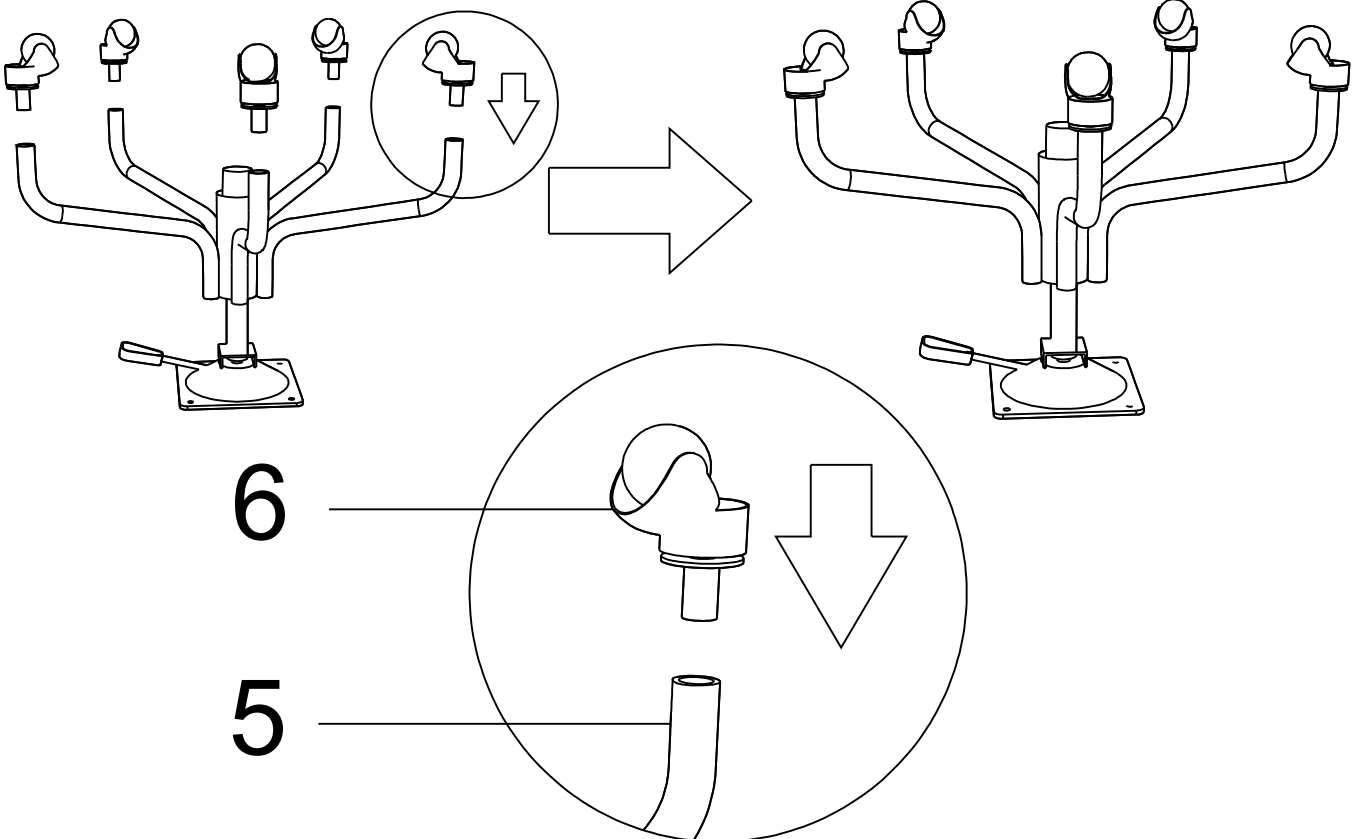
NO.C
Quantity: 8pcs
Washer



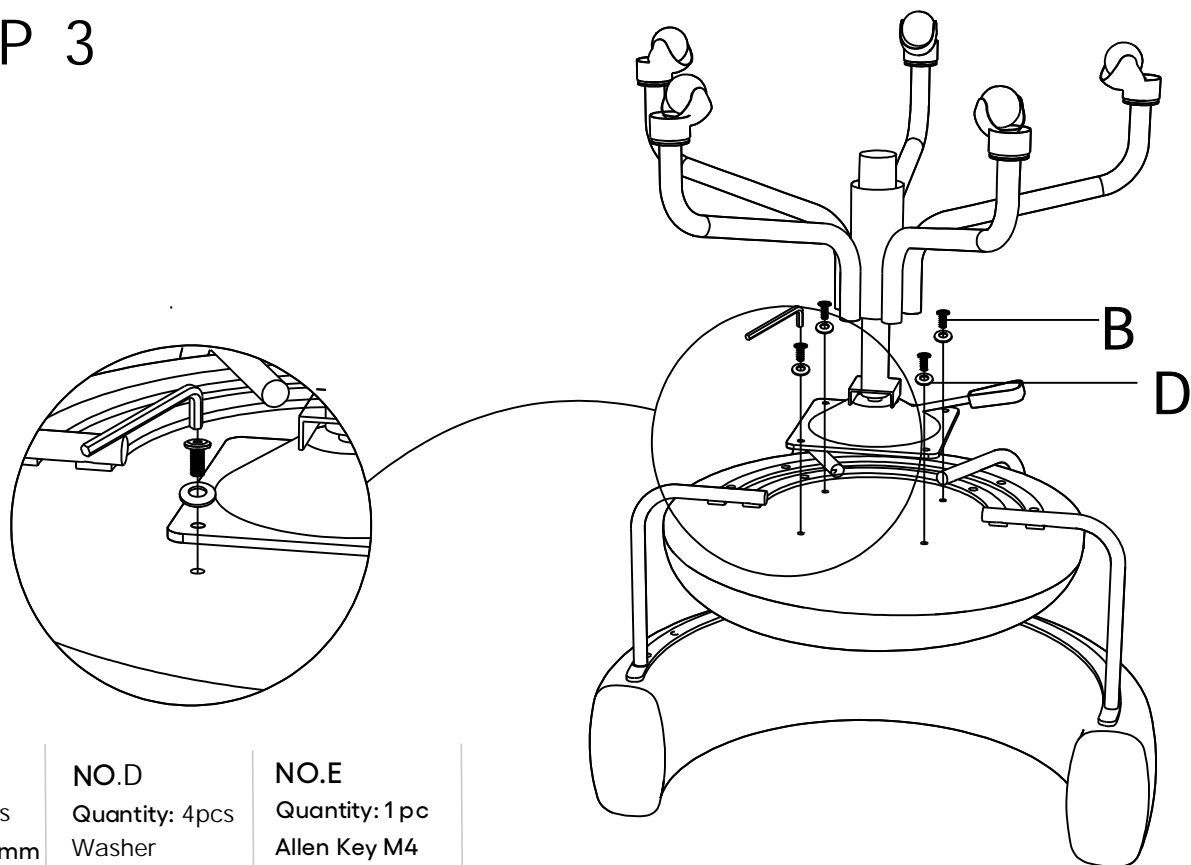
NO.E
Quantity: 1 pc
Allen Key M4



STEP 2



STEP 3



NO.B

Quantity: 4pcs
Screw M6x25mm



NO.D

Quantity: 4pcs
Washer

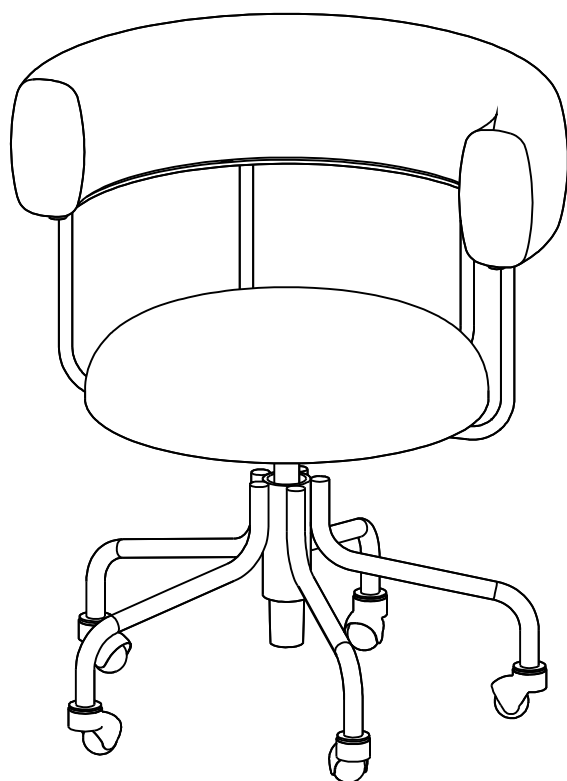


NO.E

Quantity: 1 pc
Allen Key M4



STEP 4



lifely.com.au

Great job. You're done!

**Don't forget to share how it looks in
your space and tag us on Instagram.
[@lifelyhome#homewithlifely!](#)**