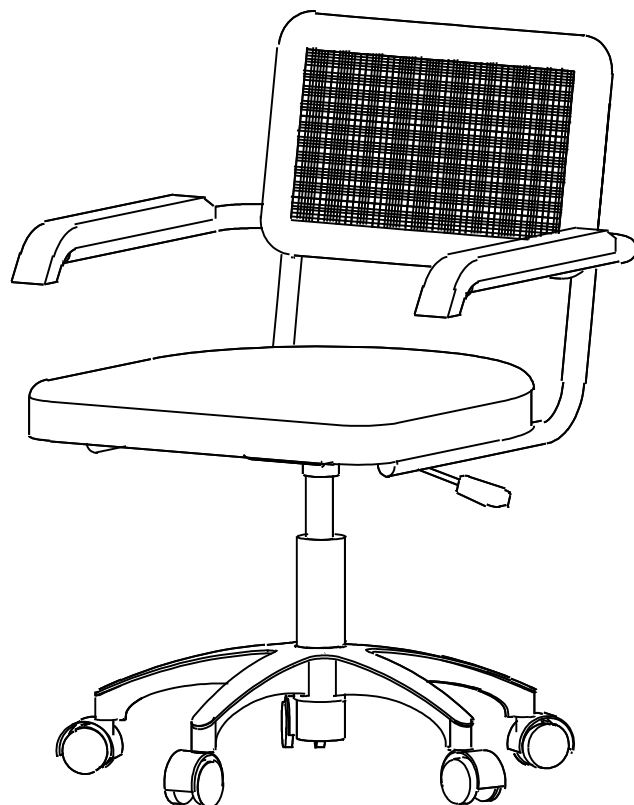


# Assembly Instructions

## Jessi Office Chair



# Lifely\*

### Product Code

JESI-OC Jessi Office Chair

### Dimensions(WxDxH)

560x570x785mm

---

### Important

Please read through instruction carefully  
Before assembly and keep for future reference.

For our full catalogue of assembly instructions  
Visit: [lifely.com.au/assembly](http://lifely.com.au/assembly).

## Important Tips and Maintenance



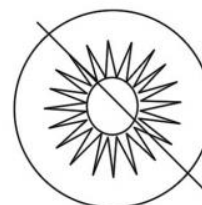
1. Keep children and animals away from working area as smaller parts may cause choking if swallowed.



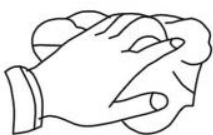
2. Never place liquids or anything damp upon furniture as it will mark. Ensure a coaster or running is beneath.



3. Never use ammonia based cleaning products as it will damage the finish.



4. To avoid fading, keep furniture out of direct sunlight.



5. Use a soft or damp cloth (dry cloth) when wiping or cleaning surfaces.



6. Two person are required.



7. Lay a soft matt down to protect the furniture piece before and during assembly.

So your relationship is strong. But is it flat-pack furniture strong? Unless you're an aerospace engineer assembling furniture can be slightly stressful. We recommend meditating quietly, pouring yourself a herbal tea(or slightly less herbal wine) and tackling things one step at a time. If you feel a passive aggressive remark coming on,try a compliment instead .E.g. "You're so good looking"

This 9-Step assembly should take around 50 minutes with an Allen Key or 40 minutes with an electric drill. Godspeed

.

**Designed for everyday**

## Component Hardware

Please check you have all the fittings  
part or tools are listed in below.

NO.A

Quantity: 8pcs  
Screw M6x35mm



NO.B

Quantity: 4 pcs  
Screw M6x40mm



NO.C

Quantity: 2pcs  
Screw M6x25mm



NO.D

Quantity: 4 pcs  
Screw M6x20mm



NO.E

Quantity: 2 pcs  
Washer



NO.F

Quantity: 4 pcs  
Washer



NO.G

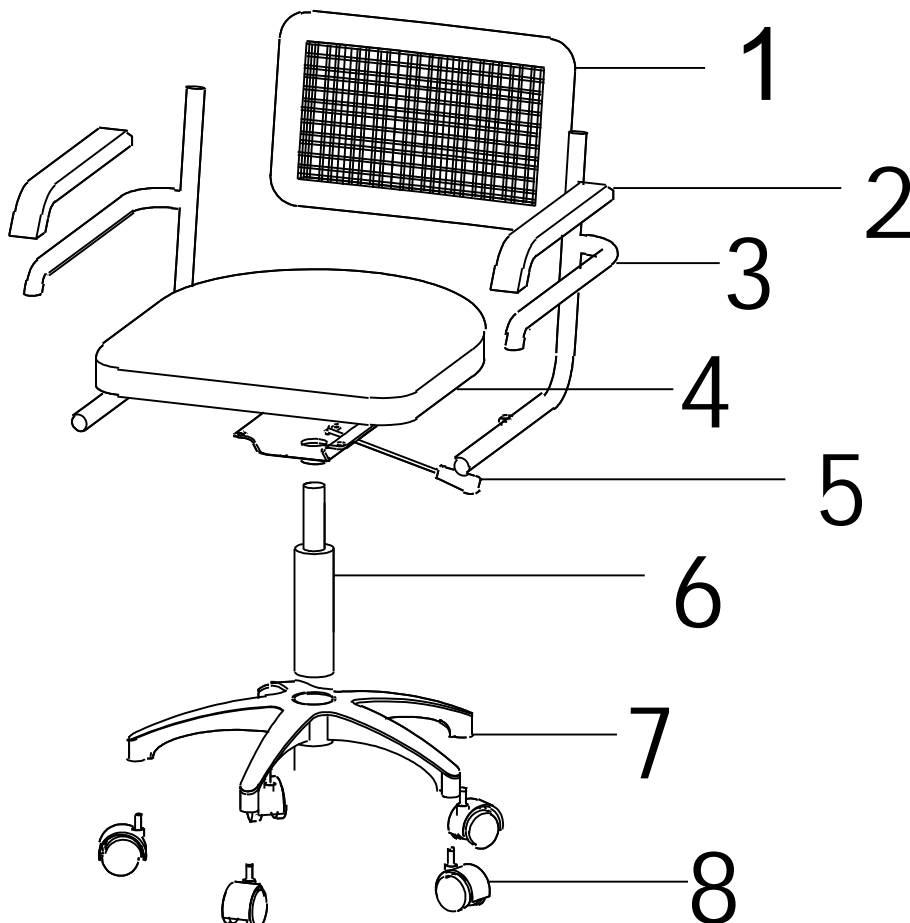
Quantity: 1 pc  
Allen Key M4



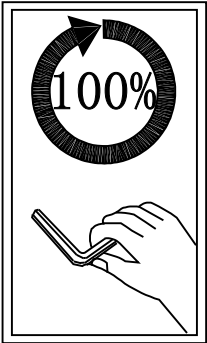
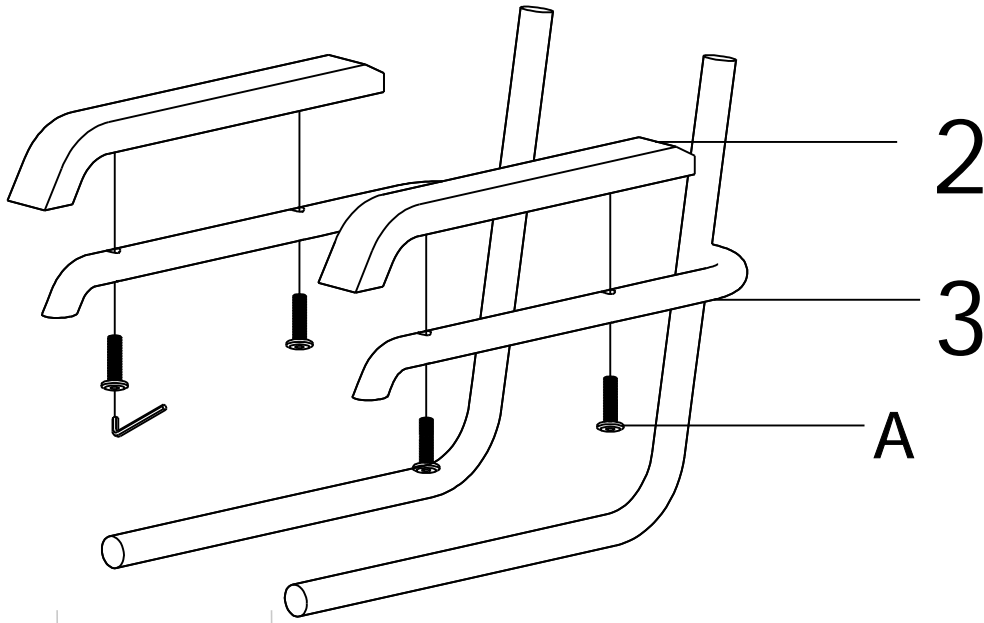
# Component Panels & part List

Please check you have all the panels are listed below.

- 1. Rattan backrest ..... x1
- 2. Wooden armrest ..... x2
- 3. Stainless steel armrest ..... x2
- 4. Seat ..... x1
- 5. Metal plate ..... x1
- 6. Gas Cylinder ..... x1
- 7. Base ..... x1
- 8. Wheel ..... x5



# STEP 1



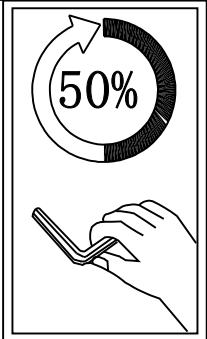
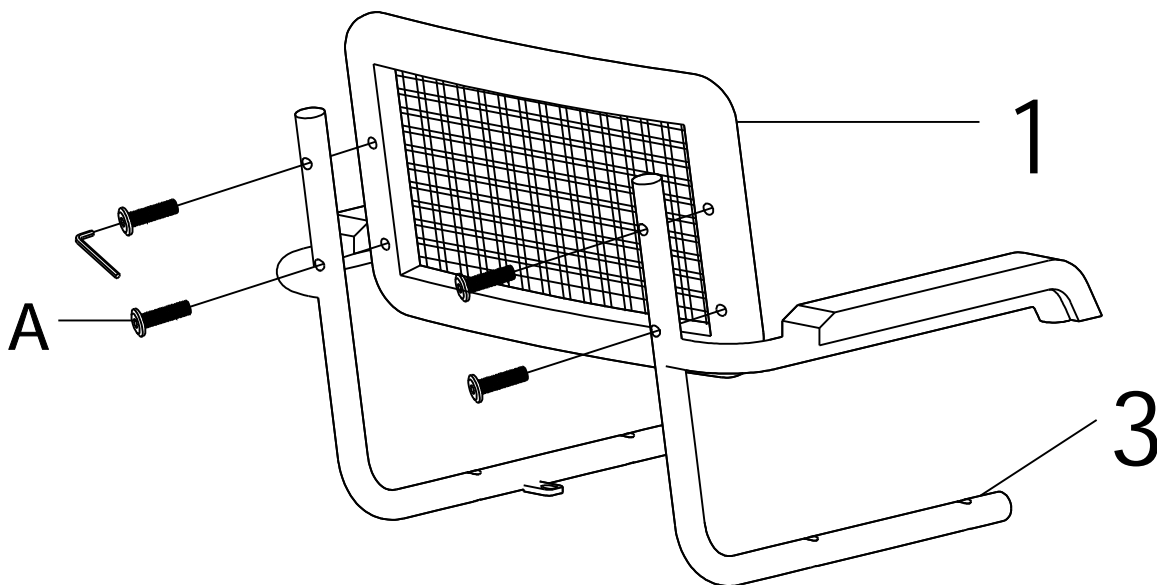
**NO.A**  
Quantity: 8pcs  
Screw M6x35mm



**NO.G**  
Quantity: 1 pc  
Allen Key M4



# STEP 2



**NO.A**  
Quantity: 8pcs  
Screw M6x35mm

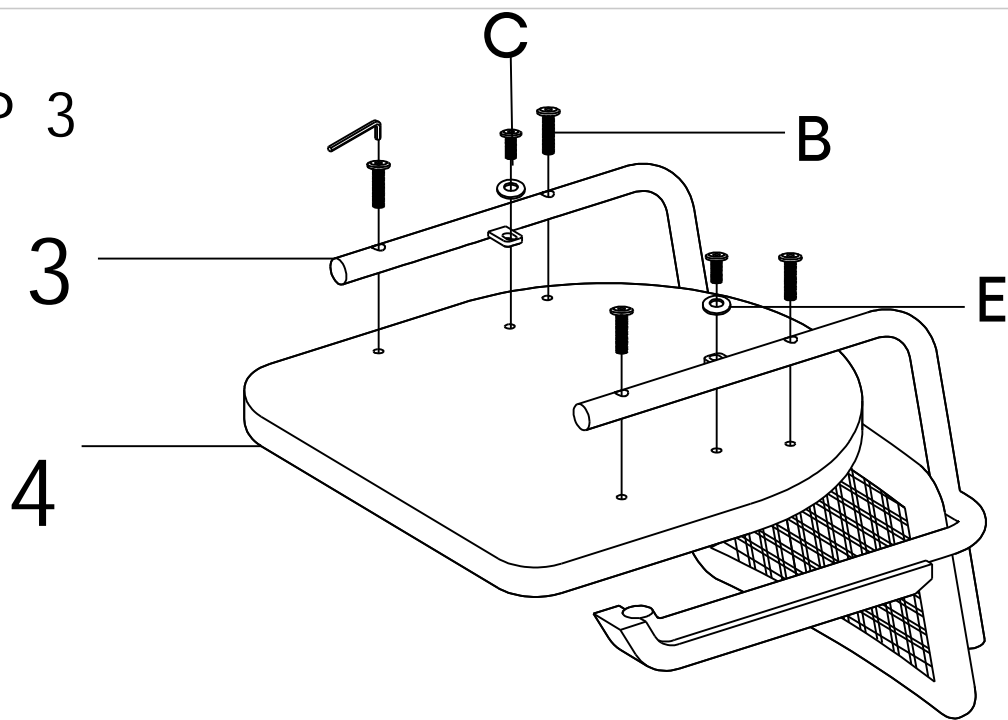


**NO.G**  
Quantity: 1 pc  
Allen Key M4



Installing 4 screws and tighten them by 50% in this step. Then tighten them 100% in step 4.

# STEP 3



**NO.B**  
Quantity: 4 pcs  
Screw M6x40mm



**NO.C**  
Quantity: 2pcs  
Screw M6x25mm



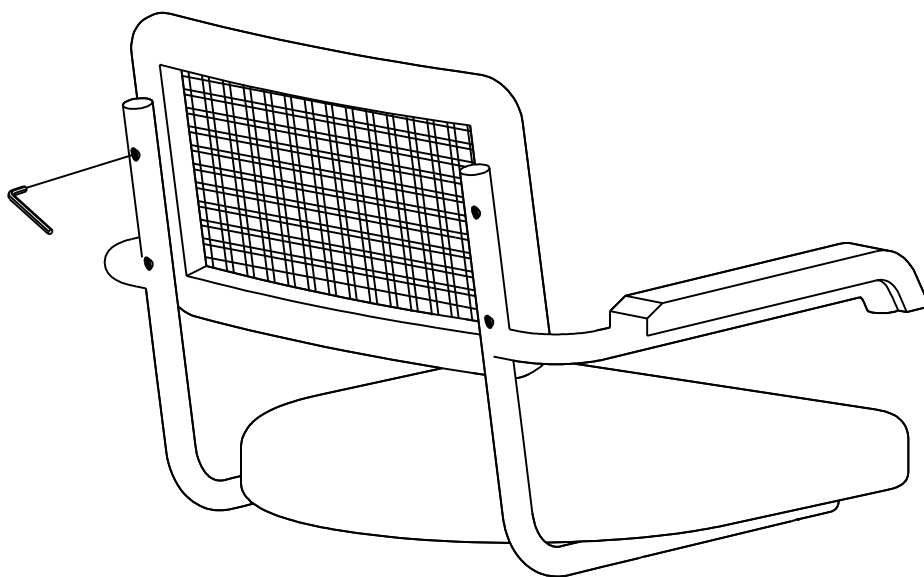
**NO.E**  
Quantity: 2 pcs  
Washer



**NO.G**  
Quantity: 1 pc  
Allen Key M4



# STEP 4



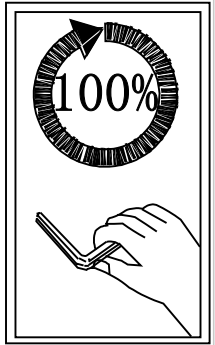
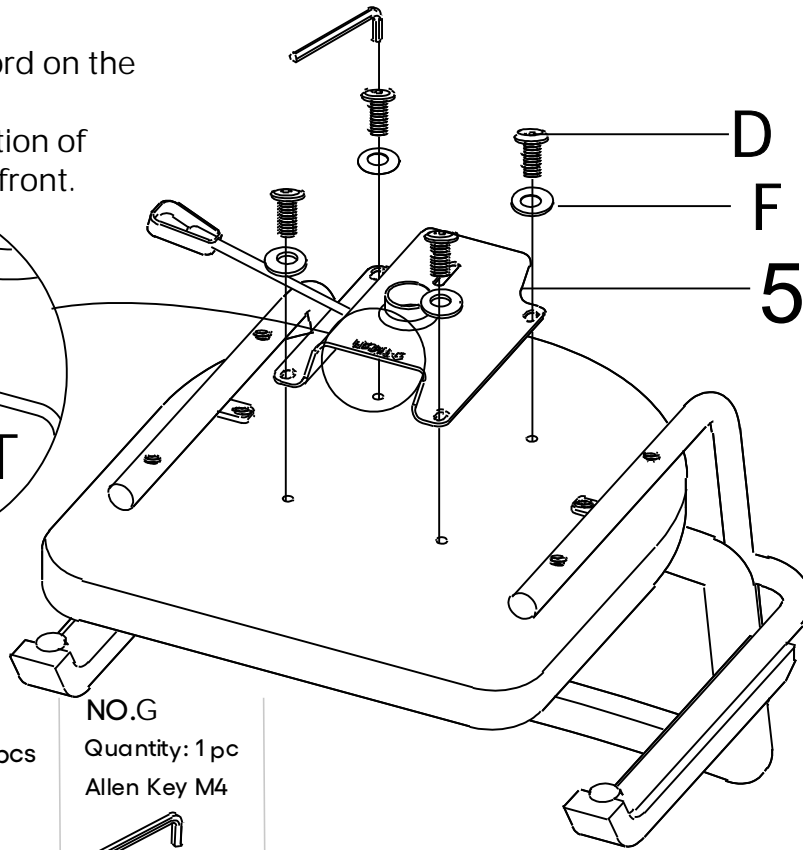
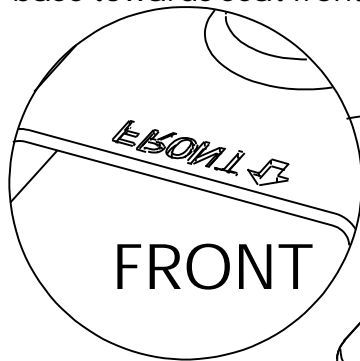
**NO.G**  
Quantity: 1pc  
Allen Key M4



Tighten the back screws by 100% in this step.

# STEP 5

Marked the "FRONT" word on the steel plate of the base.  
Please ensure the direction of the base towards seat front.



NO.D

Quantity: 4 pcs  
Screw M6x20mm



NO.F

Quantity: 4 pcs  
Washer

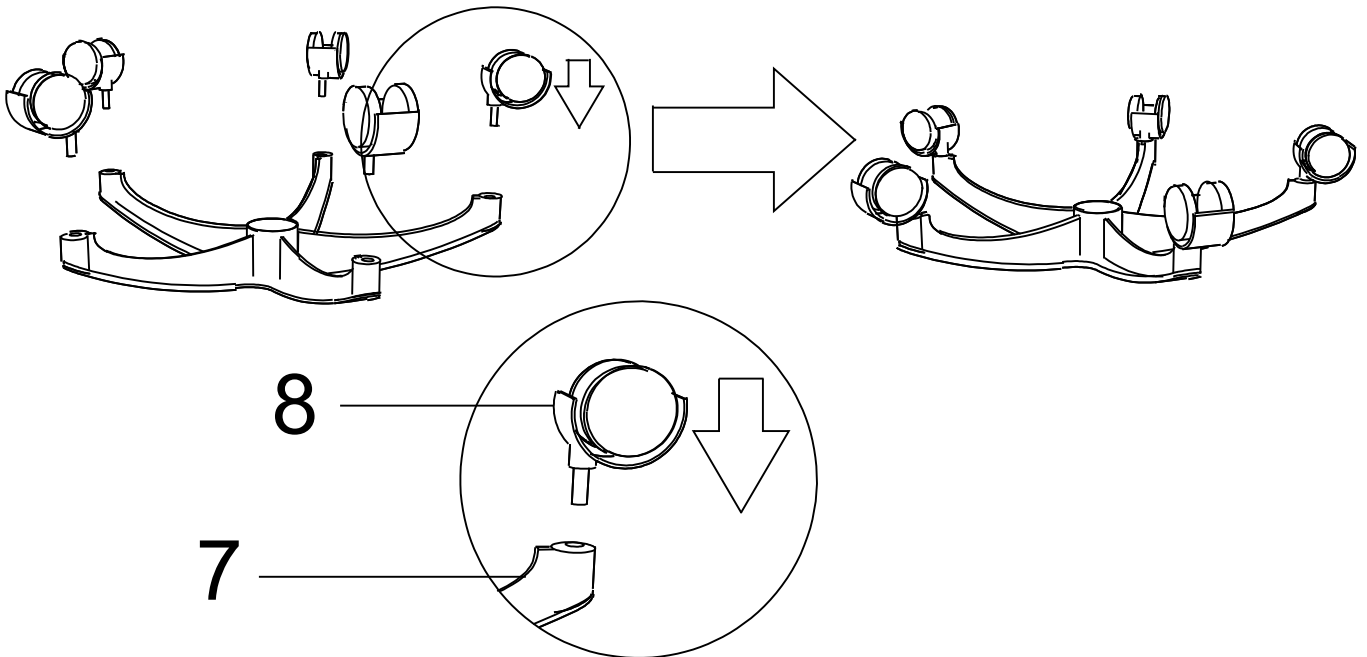


NO.G

Quantity: 1 pc  
Allen Key M4



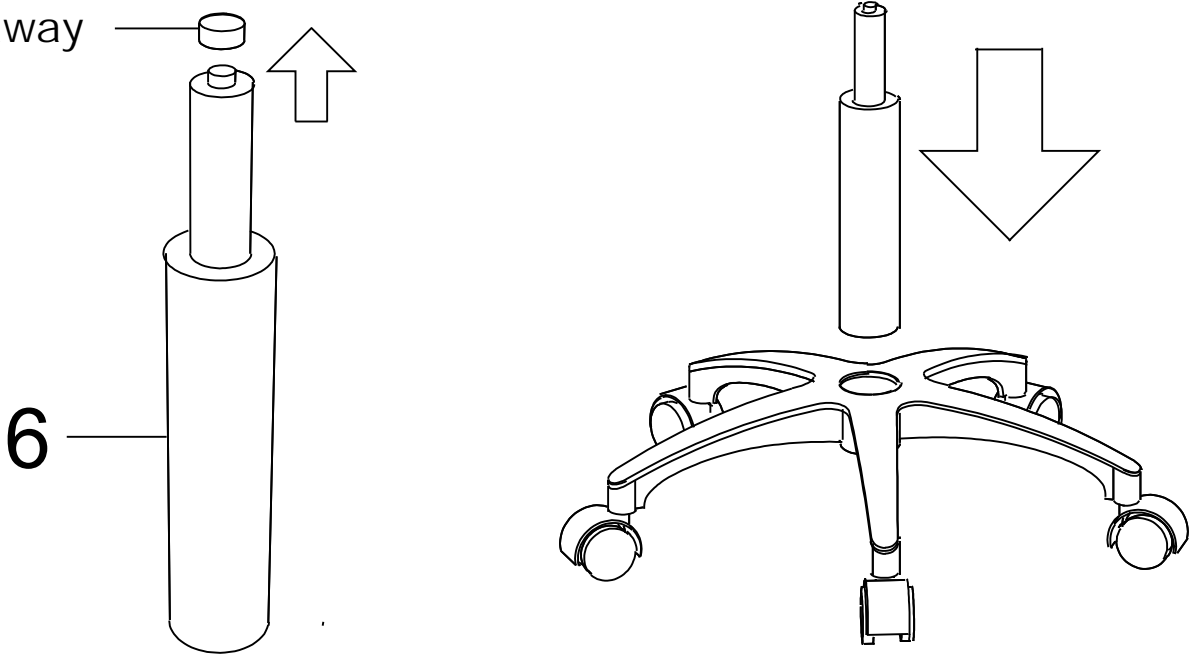
# STEP 6



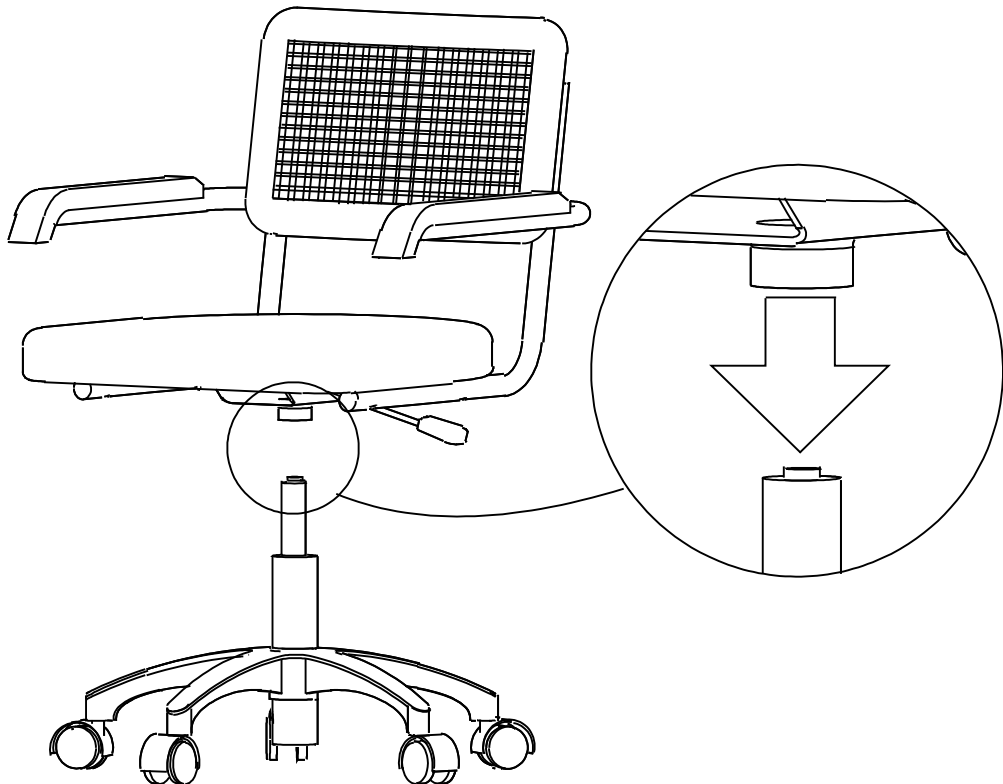


# STEP 7

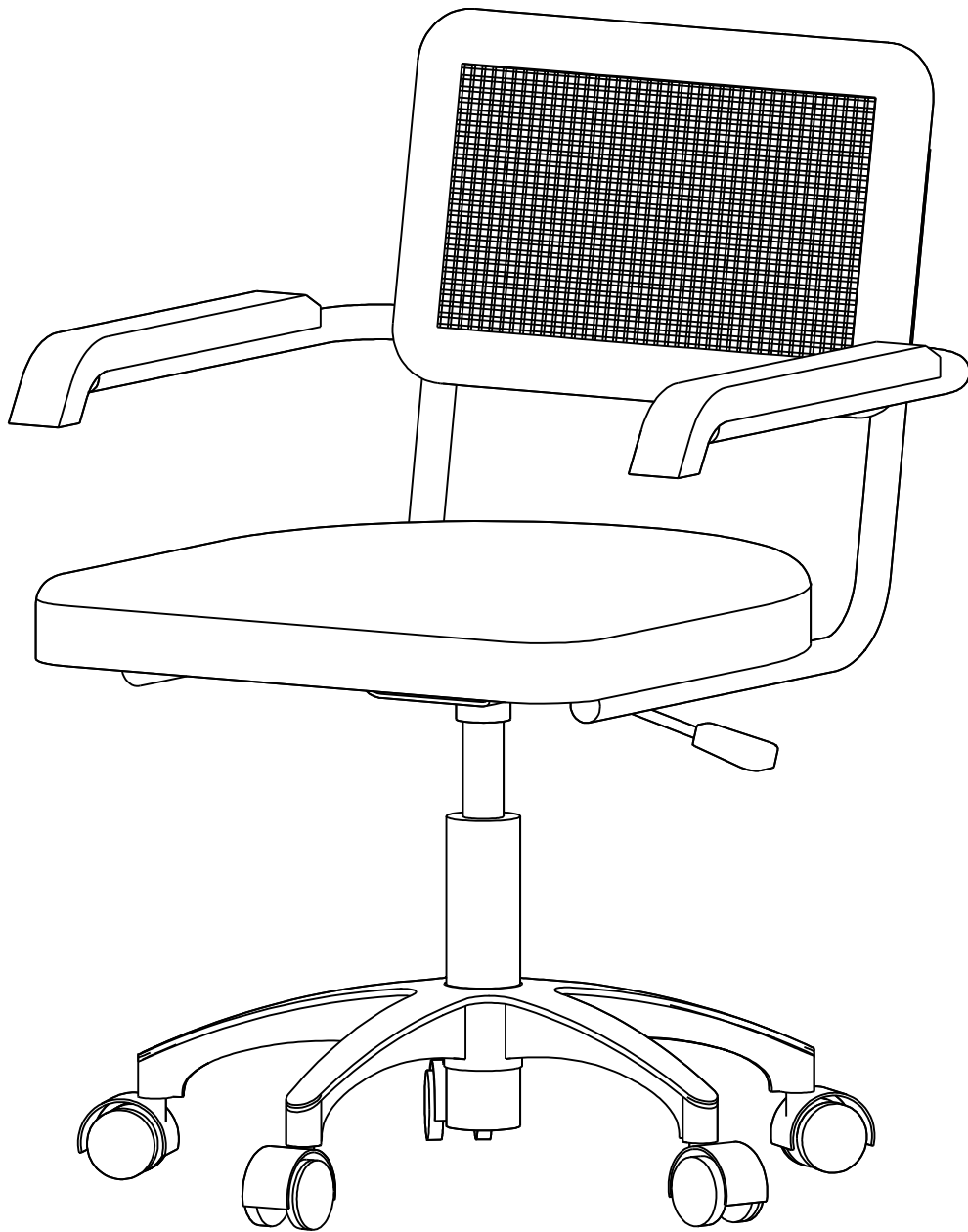
Take away



# STEP 8



# STEP 9



**lifely.com.au**

**Great job. You're done!**

**Don't forget to share how it looks in  
your space and tag us on Instagram.  
@lifelyhome#homewithlifely!**