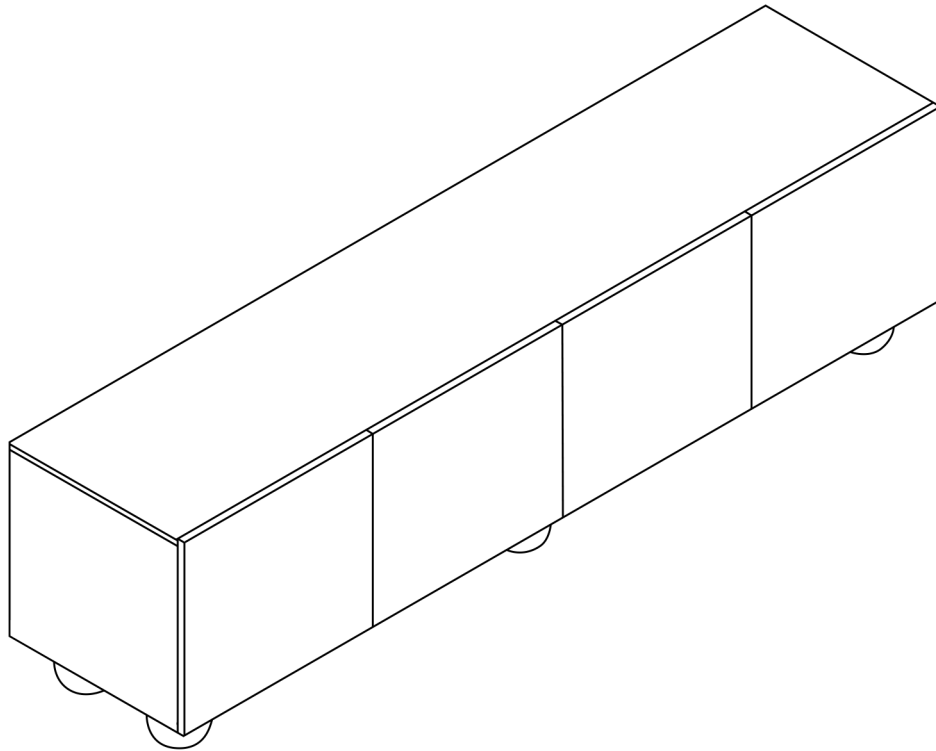


# Assembly Instructions

## Ally Series



# Lifely\*

Product Code

ALLY-TV-WHT Ally TV Unit

Dimensions(Wx DxH)

1800x415x505mm

---

### Important

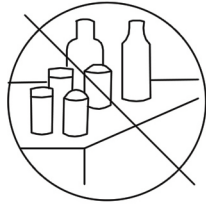
Please read through instruction carefully  
Before assembly and keep for future reference.

For our full catalogue of assembly instructions,  
Visit: [lifely.com.au/assembly](http://lifely.com.au/assembly).

# Important Tips and Maintenance



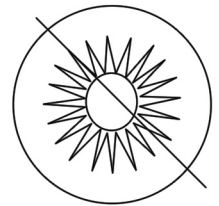
1. Keep children and animals away from working area as smaller parts may cause choking if swallowed.



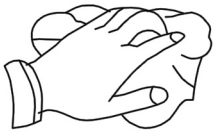
2. Never place liquids or anything damp upon furniture as it will mark. Ensure a coaster or running is beneath.



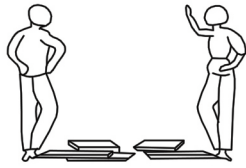
3. Never use ammonia based cleaning products as it will damage the finish.



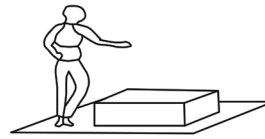
4. To avoid fading, keep furniture out of direct sunlight.



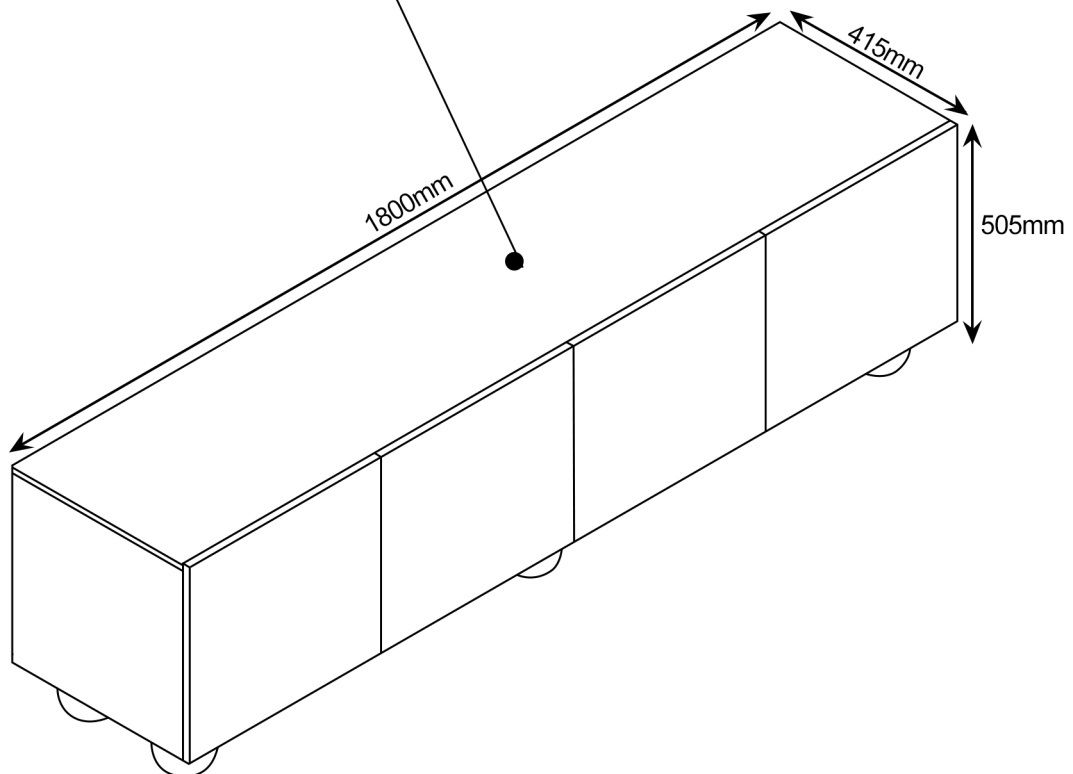
5. Use a soft or damp cloth (dry cloth) when wiping or cleaning surfaces.



6. Two person are required.



7. Lay a soft matt down to protect the furniture piece before and during assembly.



So your relationship is strong. But is it flat-pack furniture strong? Unless you're an aerospace engineer, assembling furniture can be slightly stressful. We recommend meditating quietly, pouring yourself a herbal tea (or slightly less herbal wine) and tackling things one step at a time. If you feel a passive aggressive remark coming on, try a compliment instead. E.g. "You're so good looking".

This 12-Step assembly should take around 35 minutes with an Allen Key-or 25 minutes with an electric drill. Godspeed.

Designed for everyday

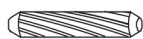
## Component Hardware are in Carton 1/2

Please check you have all the fittings  
part or tools are listed in below.

No.A  
Quantity:32Pcs  
Cam Bolt



No.B  
Quantity:28Pcs  
Dowel 8\*40mm



No.C  
Quantity:32Pcs  
Cam Nut



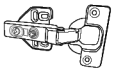
No.D  
Quantity:16Pcs  
Laminated pin



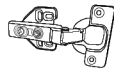
No.E  
Quantity:72Pcs  
Screw



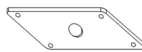
No.F  
Quantity:4Pcs  
Straight bend hinge



No.G  
Quantity:4Pcs  
Middle bend hinge



No.H  
Quantity:6Pcs  
Sheet iron



No.I  
Quantity:6Pcs  
Screw M8\*30mm



No.J  
Quantity:1Pc  
Allen Key



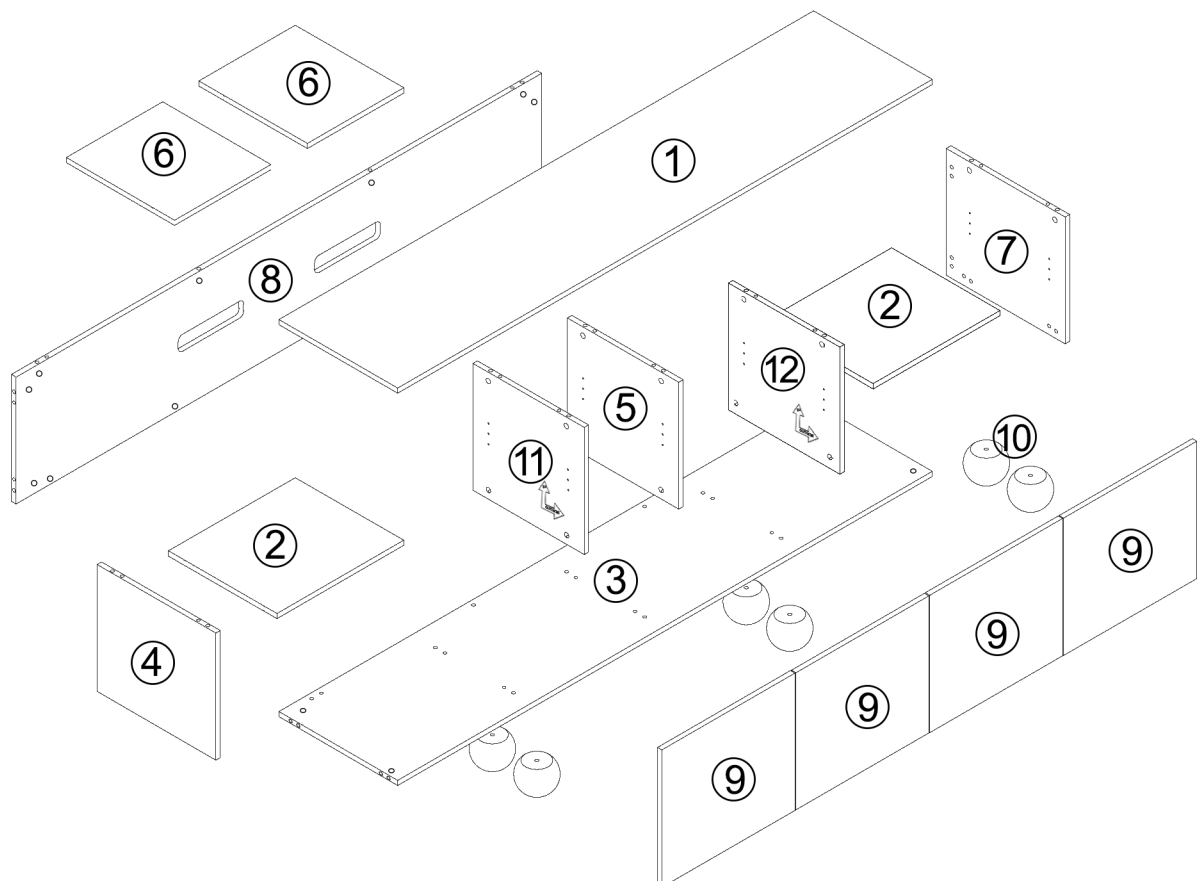
No.K  
Quantity:10Pcs  
Sticker



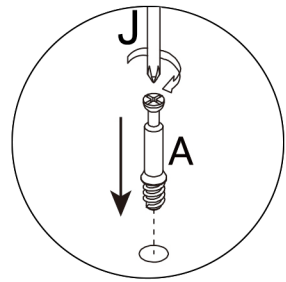
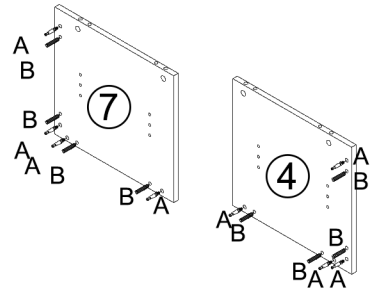
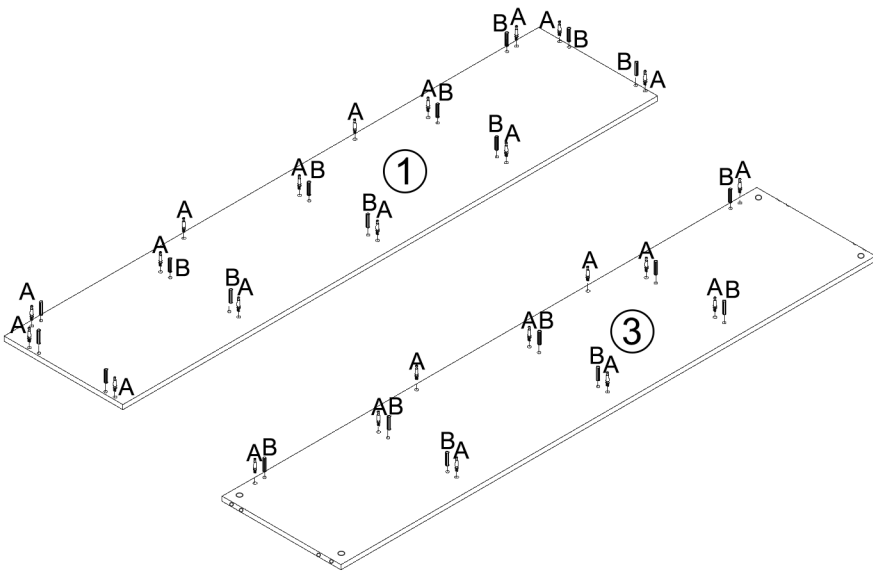
## Component Panels & part List

Please check you have all the panels  
are listed below.

1. TOP PANEL ----- x1 2/2
2. LEFT AND RIGHT MOVE PANEL --- x2 1/2
3. BOTTOM PANEL ----- x1 2/2
4. LEFT SIDE PANEL ----- x1 1/2
5. MIDDLE PANEL ----- x1 1/2
6. MIDDLE MOVE PANEL ----- x2 1/2
7. RIGHT SIDE PANEL ----- x1 1/2
8. BACK PANEL ----- x1 2/2
9. FRONT DOOR PANEL ----- x4 1/2
10. SUPPORT LEG ----- x6 1/2
11. LEFT MEDIAN PLATE ----- x1 1/2
12. RIGHT MEDIAN PLATE ----- x1 1/2



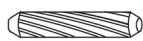
# STEP 1



No. A  
Quantity: 32Pcs  
Cam Bolt



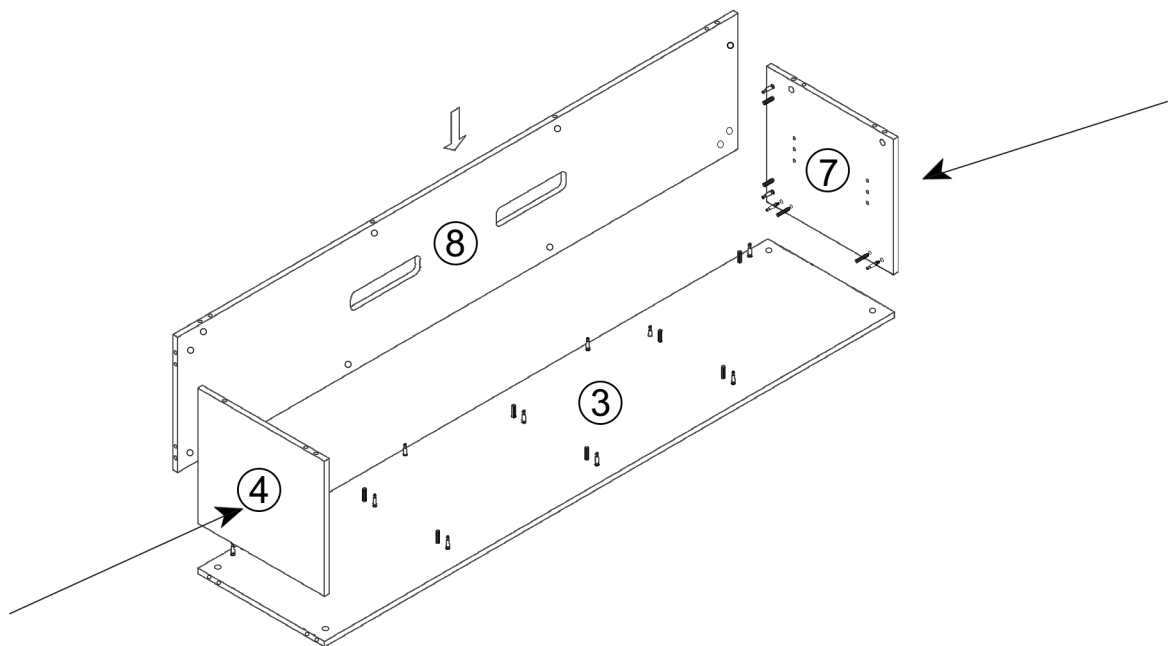
No. B  
Quantity: 28Pcs  
Dowel M8\*40mm



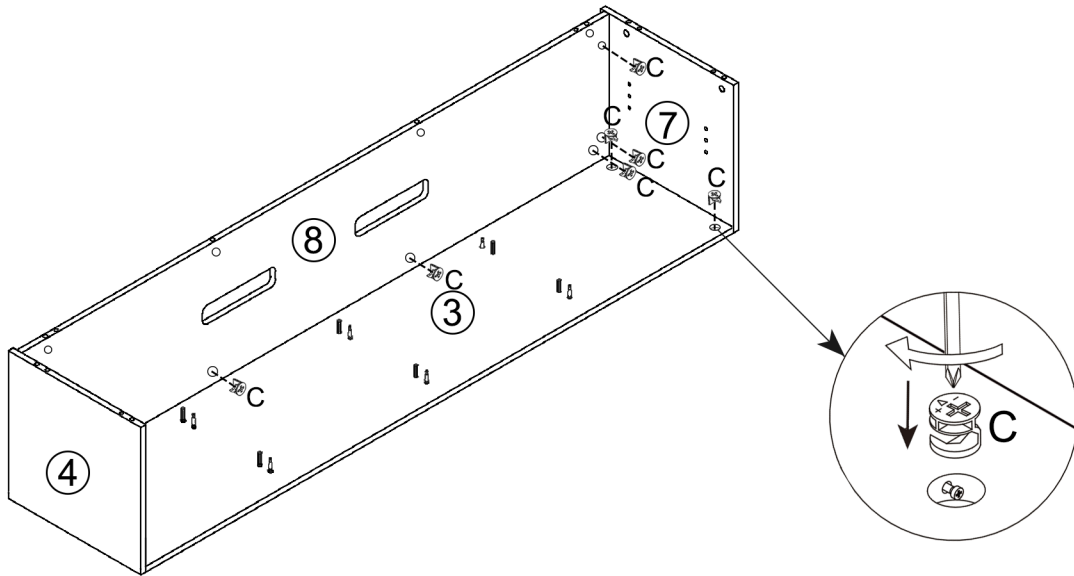
No. J  
Quantity: 1Pc  
Allen Key



# STEP 2



### STEP 3



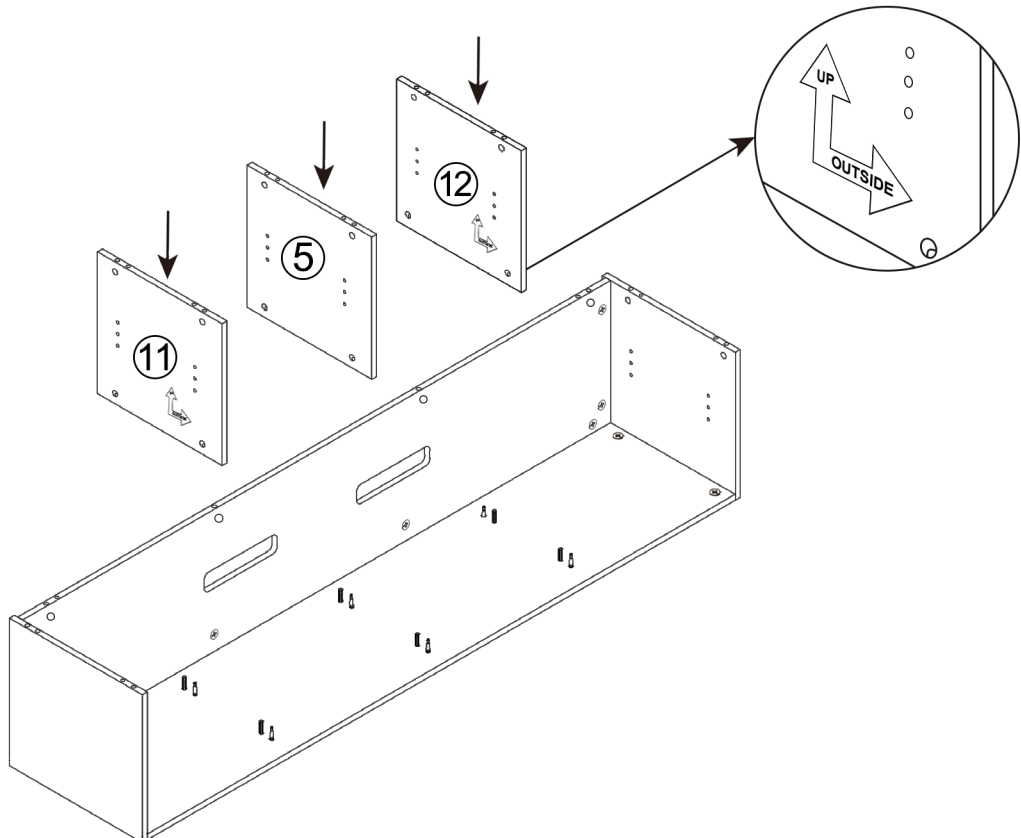
No.C  
Quantity:12Pcs  
Cam Nut



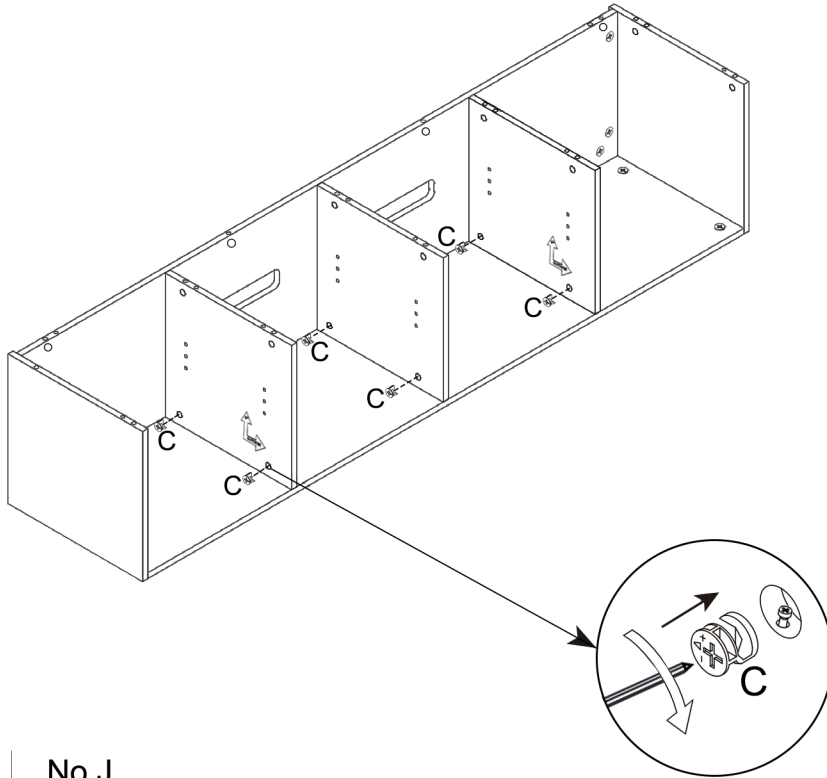
No.J  
Quantity:1Pc  
Allen Key



### STEP 4



## STEP 5



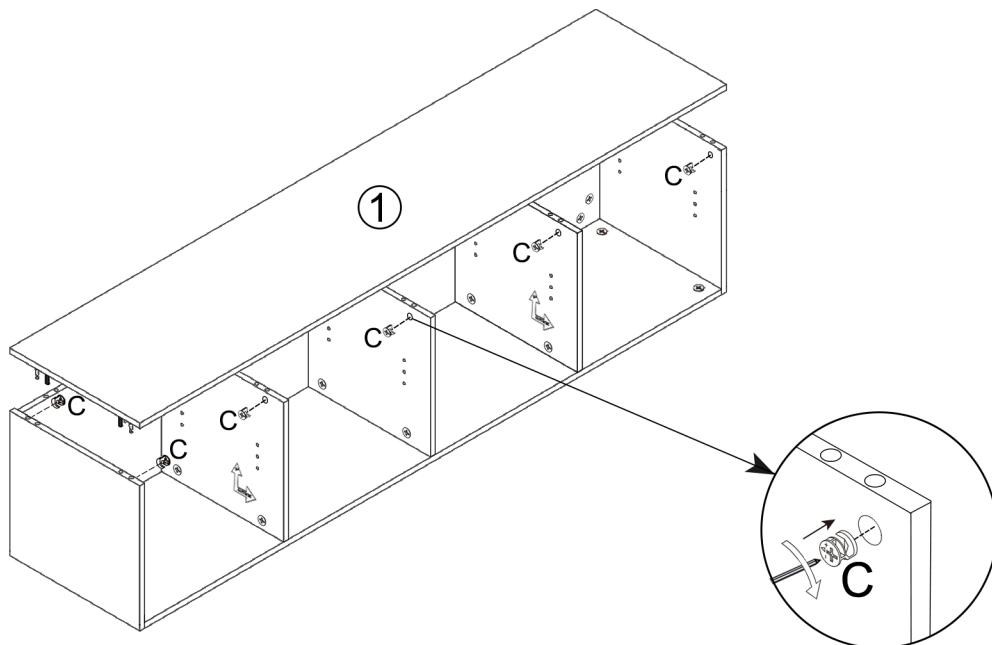
No.C  
Quantity:6Pcs  
Cam Nut



No.J  
Quantity:1Pc  
Allen Key



## STEP 6



No.C  
Quantity:14Pcs  
Cam Nut

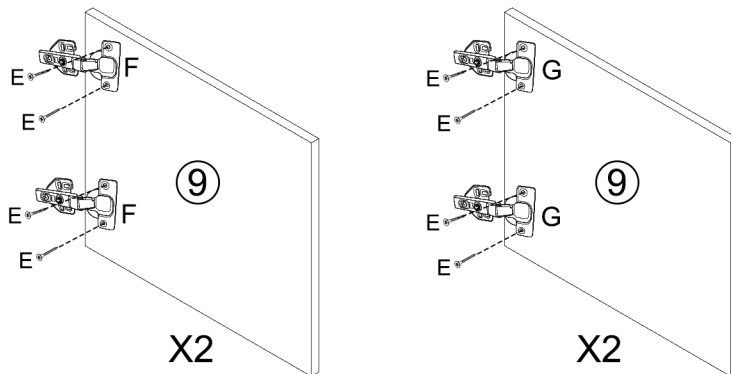


No.J  
Quantity:1Pc  
Allen Key





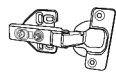
# STEP 7



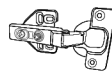
No.E  
Quantity:16Pcs  
Screw



No.F  
Quantity:4Pcs  
Straight bend hinge



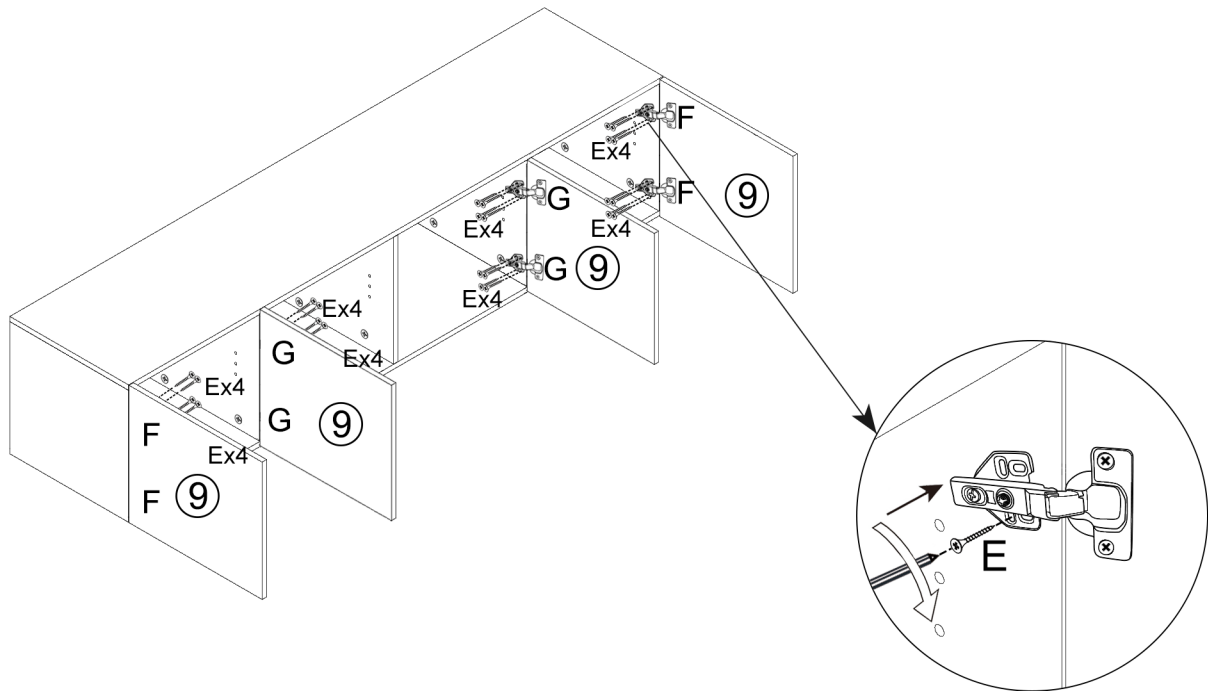
No.G  
Quantity:4Pcs  
Middle bend hinge



No.J  
Quantity:1Pc  
Allen Key



# STEP 8



No. E  
Quantity:32Pcs  
screw

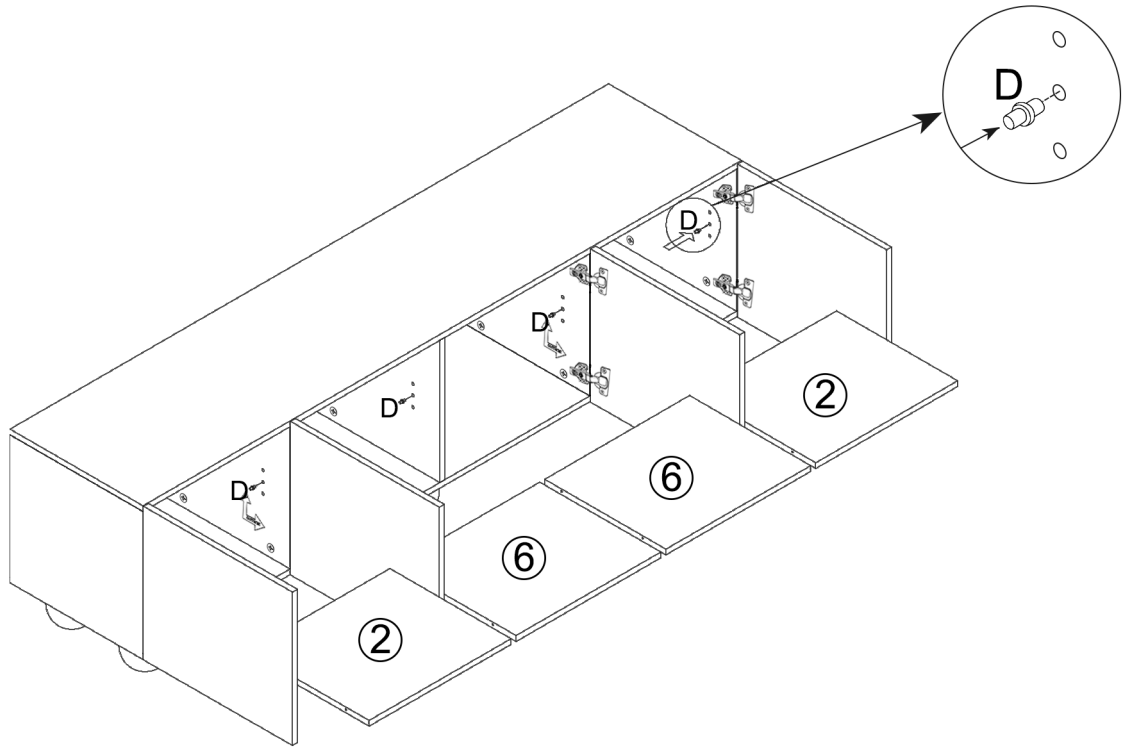


No.J  
Quantity:1Pc  
Allen Key



The left and right doors are using the hinge F  
The middle two doors are using the hinge G

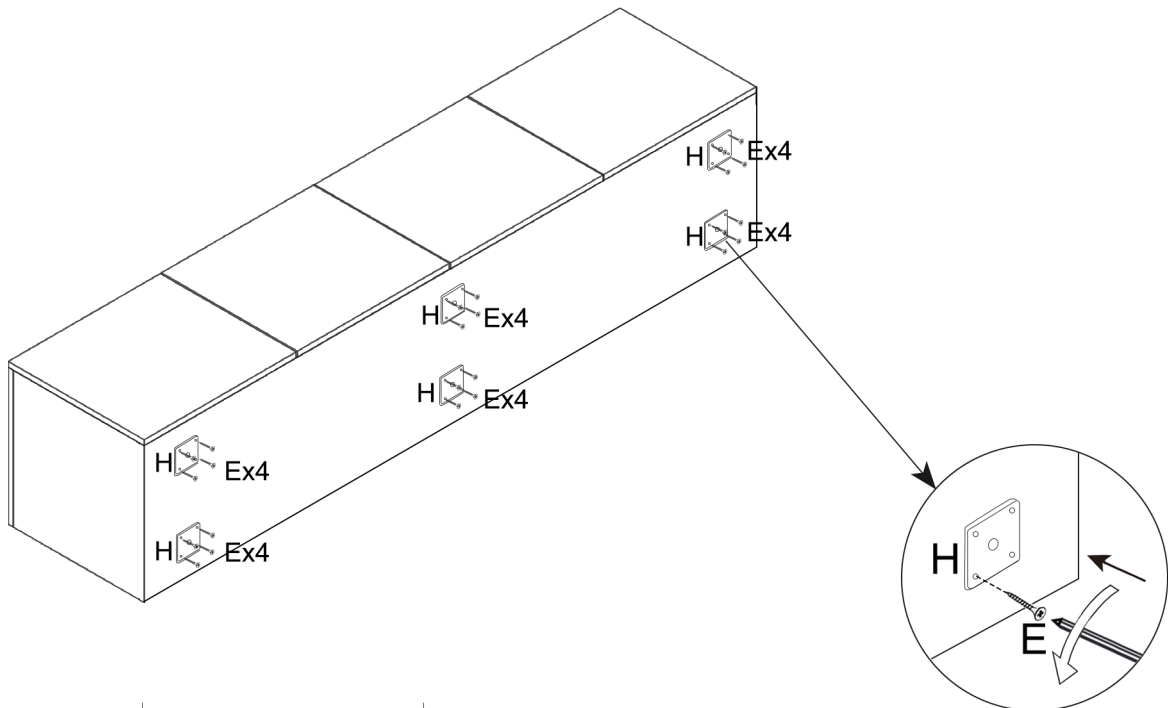
## STEP 9



No.D  
Quantity:16Pcs  
Laminated pin



## STEP 10



No.H  
Quantity:6Pcs  
Sheet iron



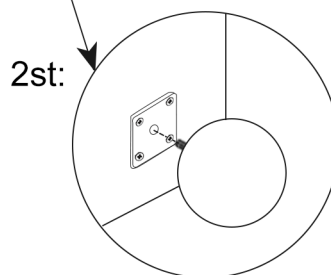
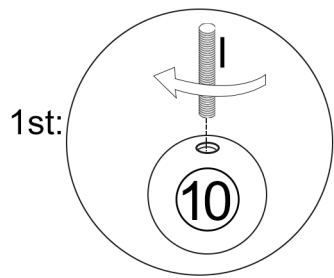
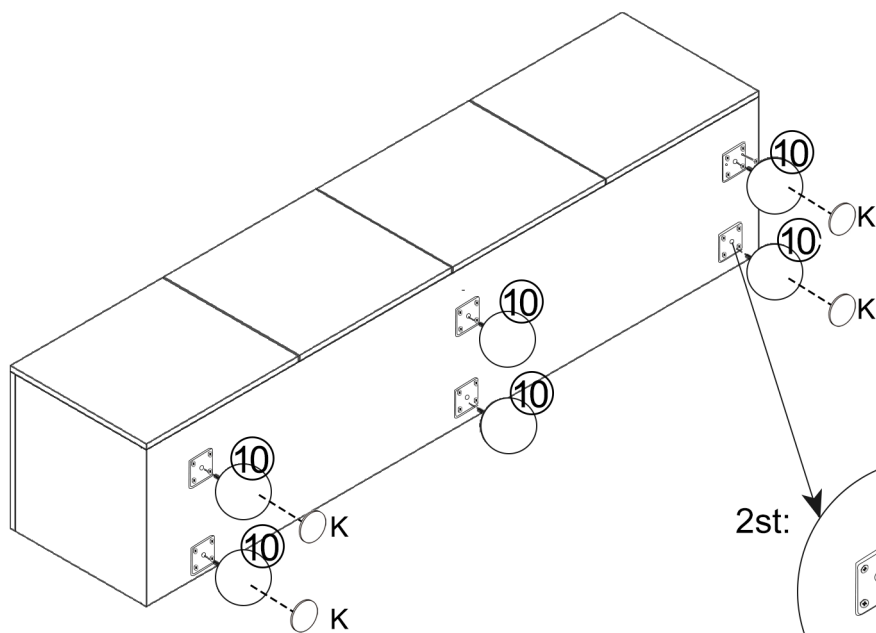
No. E  
Quantity:24Pcs  
screw



No.J  
Quantity:1Pc  
Allen Key



# STEP 11



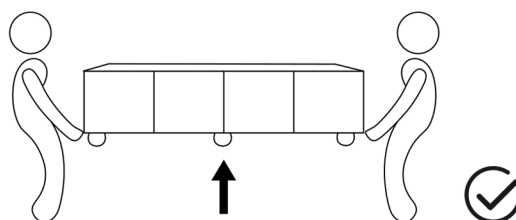
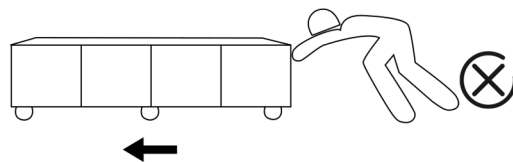
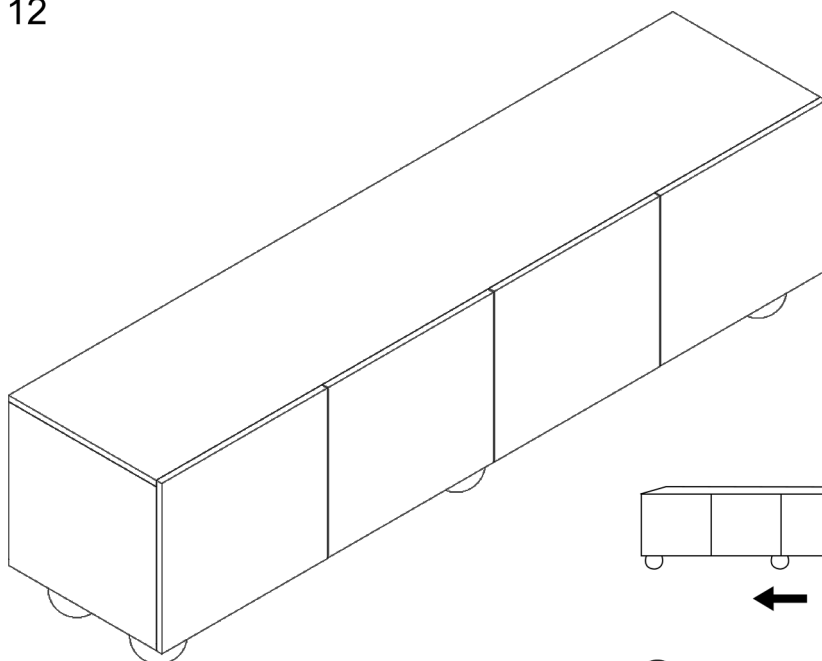
No. I  
Quantity: 6Pcs  
Screw



No. K  
Quantity: 4Pcs  
Sticker



# STEP 12



lifely.com.au

Great job. You're done!

Don't forget to share how it looks in  
your space and tag us on Instagram.  
[@lifelyhome](#) [#homewithlifely!](#)