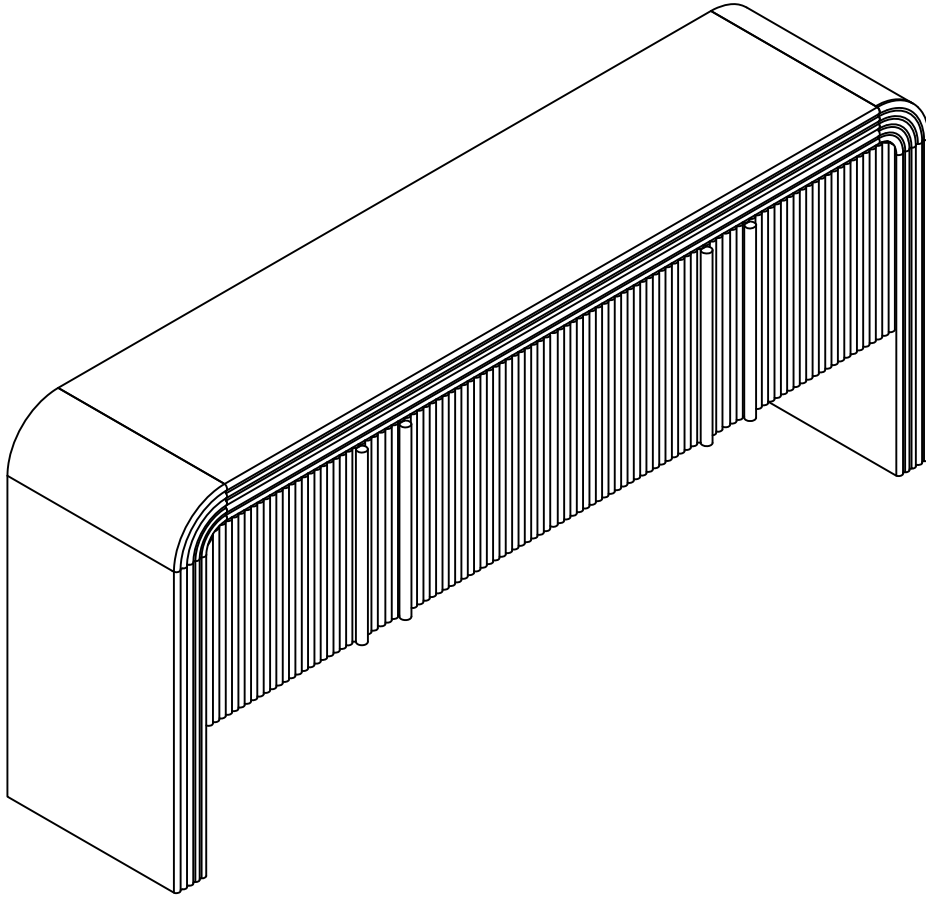


Assembly Instructions

Arlo Series



Lifely*

Product Code

ARLO-SB-WHT Arlo Sideboard

Dimensions (W x D x H)

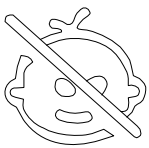
1785*400*780mm

Important

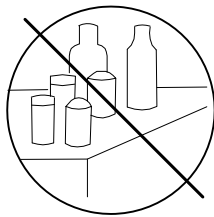
Please read through instruction carefully
Before assembly and keep for future reference.

For our full catalogue of assembly instructions,
Visit: lifely.com.au/assembly.

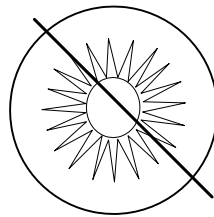
Important Tips and Maintenance



1. Keep children and animals away from working area as smaller parts may cause choking if swallowed.



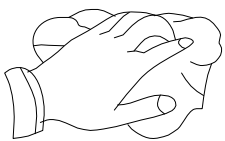
2. Never place liquids or anything damp upon furniture as it will mark. Ensure a coaster or running is beneath.



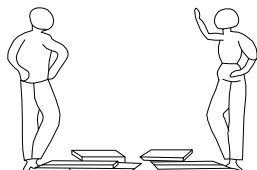
3. Never use ammonia based cleaning products as it will damage the finish.



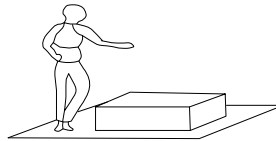
4. To avoid fading, keep furniture out of direct sunlight.



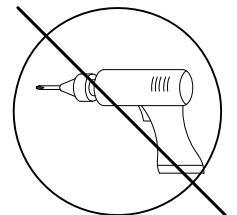
5. Use a soft or damp cloth (dry cloth) when wiping or cleaning surfaces.



6. Two person are required.



7. Lay a soft matt down to protect the furniture piece before and during assembly.



8. NO POWER TOOLS

So your relationship is strong. But is it flat-pack furniture strong? Unless you're an aerospace engineer, assembling furniture can be slightly stressful. We recommend meditating quietly, pouring yourself a herbal tea (or slightly less herbal wine) and tackling things one step at a time. If you feel a passive aggressive remark coming on, try a compliment instead. E.g. "You're so good looking."

This 11-step assembly should take around 65 minutes with an Allen key- or 55 minutes with an electric drill.

Designed for everyday

Component Hardware

Please check you have all the fittings
part or tools are listed in below.

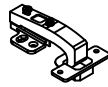
No. A
Quantity:20 Pcs
Cam
φ 15*12mm



No. B
Quantity:20 Pcs
Cam Lock Dowel
φ 7*25



No. C
Quantity:4 PCS
Spring hinge
φ 35mm



No. D
Quantity:4 Pcs
Spring hinge 87°
φ 35mm



No. E
Quantity:8 Pcs



No. F
Quantity:20Pcs
Wood Dowel
Ø8*30mm



No. G
Quantity:8 Pcs
Screw
M4*25mm



No. H
Quantity:52 Pcs
Screw
φ 3.5*14mm



No. I
Quantity:24Pc
Cover
φ 20mm



No. J
Quantity:4Pcs
EVA Pad
φ 15*3mm



No. K
Quantity:8 PcS
M8



No. L
Quantity:8 PcS
M8*70mm



No. M
Quantity:8 Pcs



No. N
Quantity:8Pc
Cover
φ 50mm



No. O
Quantity:1 Pc
Key
5mm



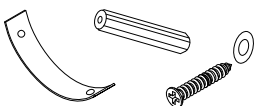
No. P
Quantity:1 Pc
Key



No. Q
Quantity:1 Pair
Gloves



No. R

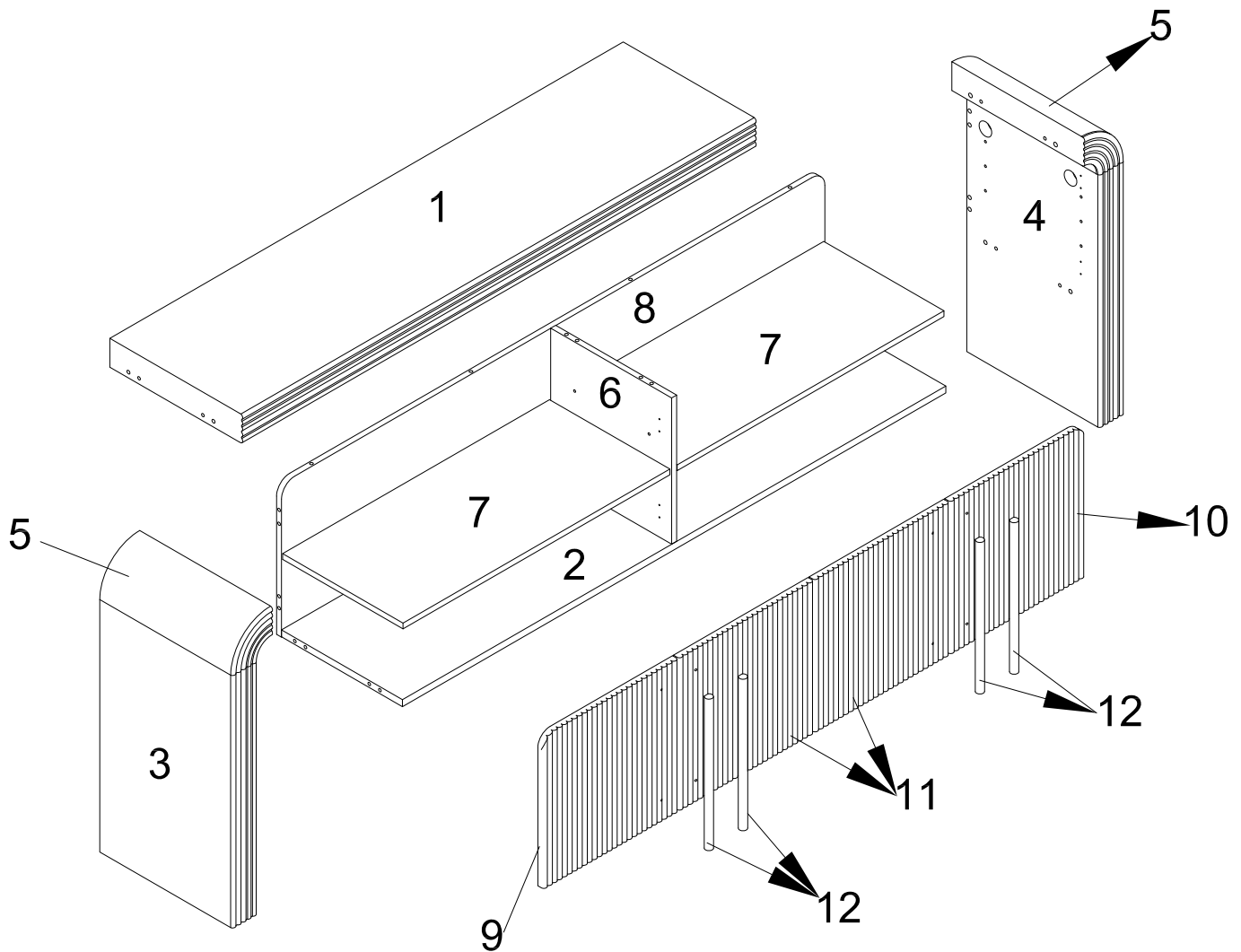


L=200mm X2
Ø4*25mm x2
Ø4 x4

Component Panels & part List

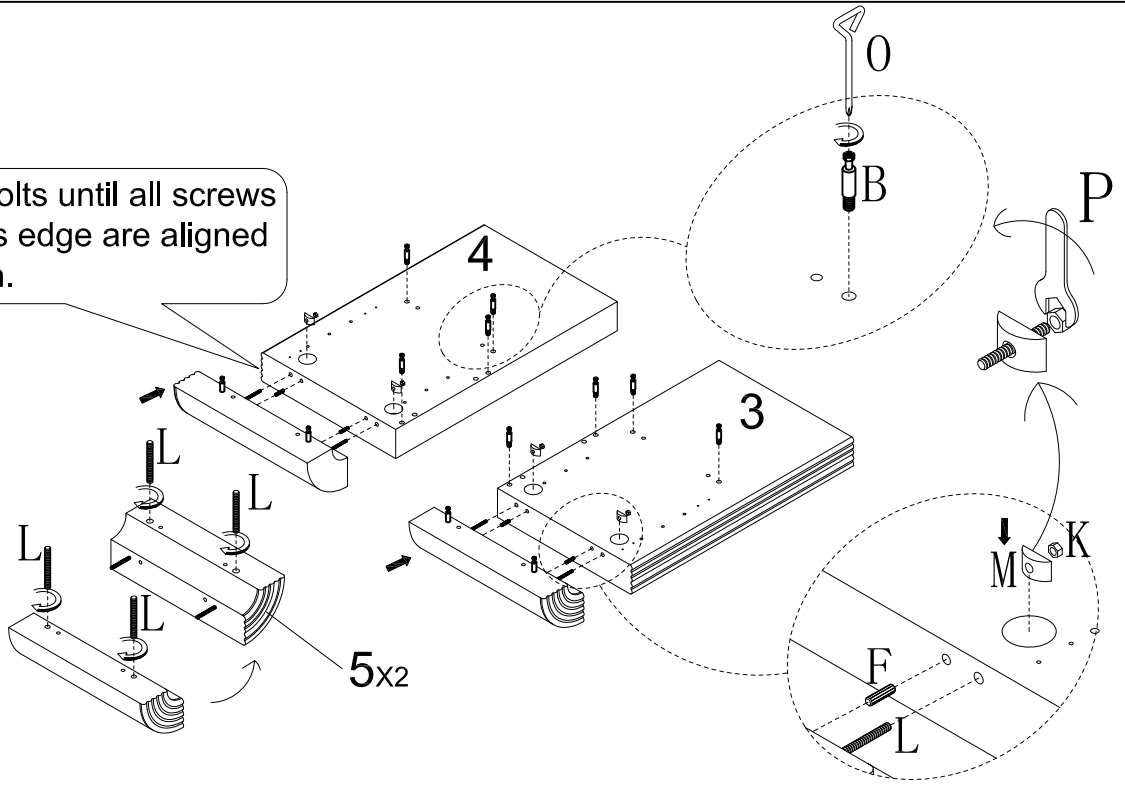
Please check you have all the panels
are listed below.

- | | | |
|-----|---------------------|---------|
| 1. | Top Panel-----x1 | CTN 1/3 |
| 2. | Bottom Panel-----x1 | CTN 1/3 |
| 3. | Side Panel-Left--x1 | CTN 2/3 |
| 4. | Side Panel-Right-x1 | CTN 2/3 |
| 5. | Corner-----x2 | CTN 2/3 |
| 6. | Division Panel---x1 | CTN 2/3 |
| 7. | Shelf-----x2 | CTN 2/3 |
| 8. | Back Panel-----x1 | CTN 1/3 |
| 9. | Door-Left -----x1 | CTN 3/3 |
| 10. | Door-Right-----x1 | CTN 3/3 |
| 11. | Door-Middle -----x2 | CTN 3/3 |
| 12. | Handle-----x4 | CTN 1/3 |



STEP 1

Do not tighten bolts until all screws and components edge are aligned then fully tighten.



No. M
Quantity: 4 Pcs



No. B
Quantity: 8 Pcs



No. F
Quantity: 4 Pcs



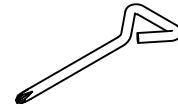
No. K
Quantity: 4 Pcs



No. L
Quantity: 8 Pcs



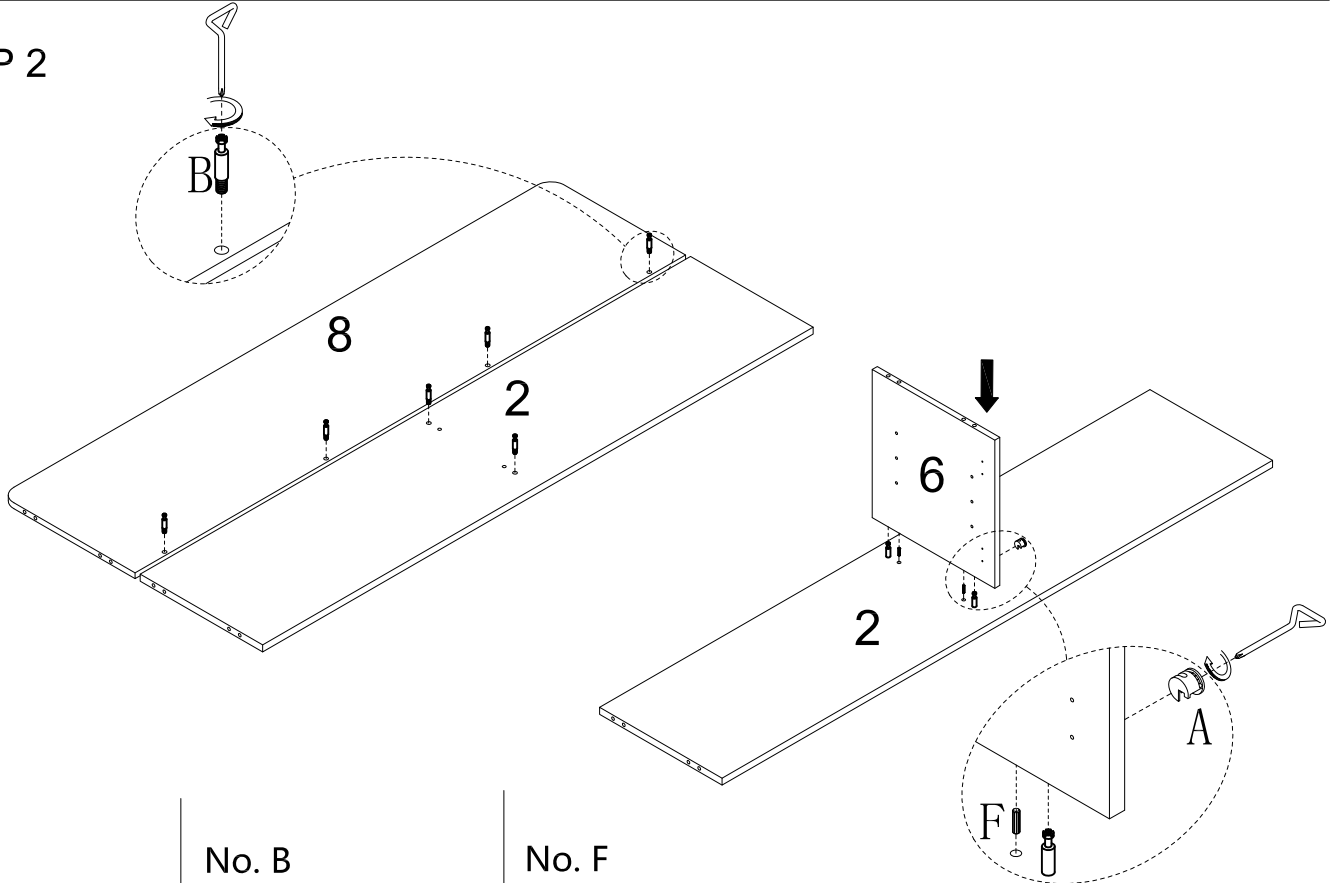
No. O
Quantity: 1Pc



No. P
Quantity: 1Pc



STEP 2



No. A
Quantity: 2 Pcs



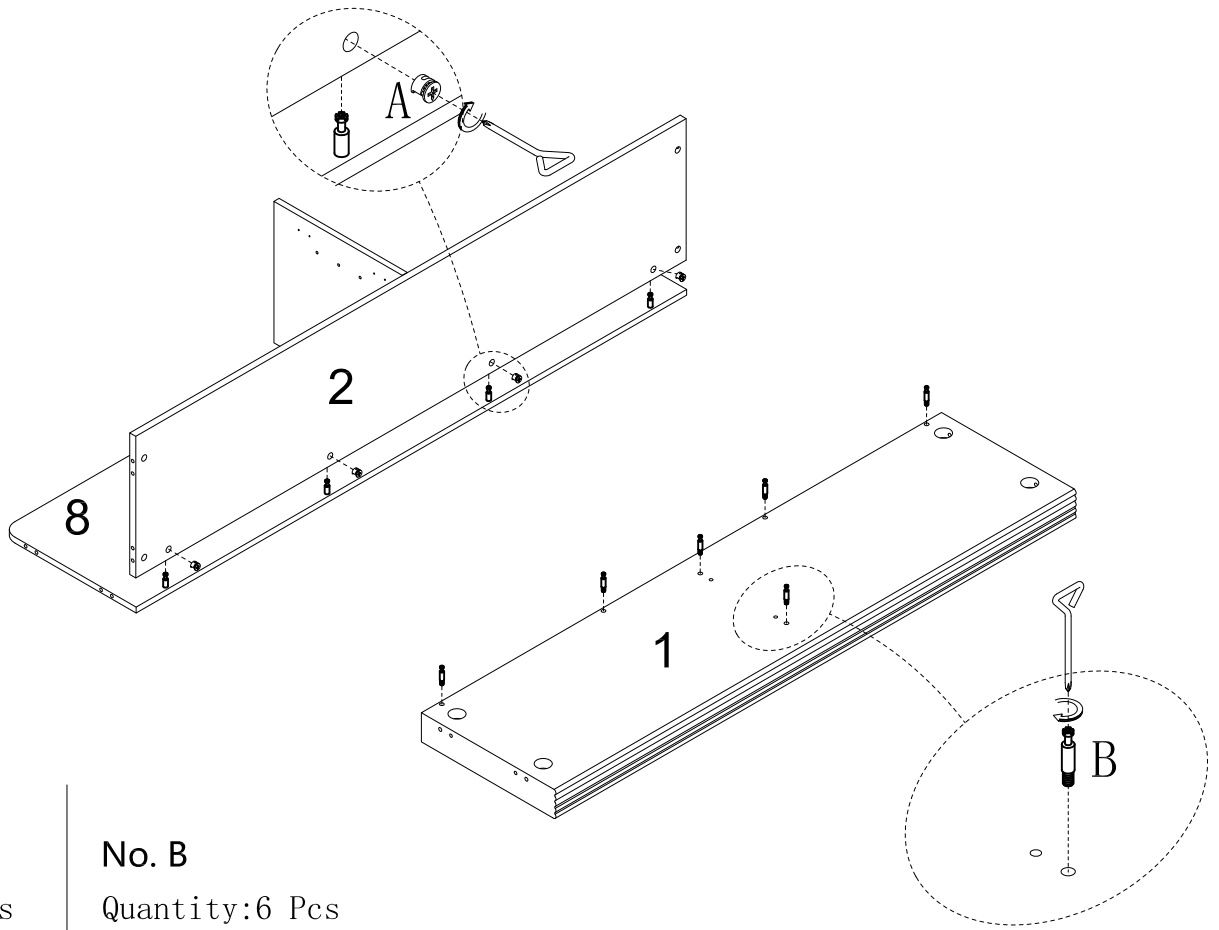
No. B
Quantity: 6 Pcs



No. F
Quantity: 2 Pcs



STEP 3



No. A

Quantity:4 Pcs

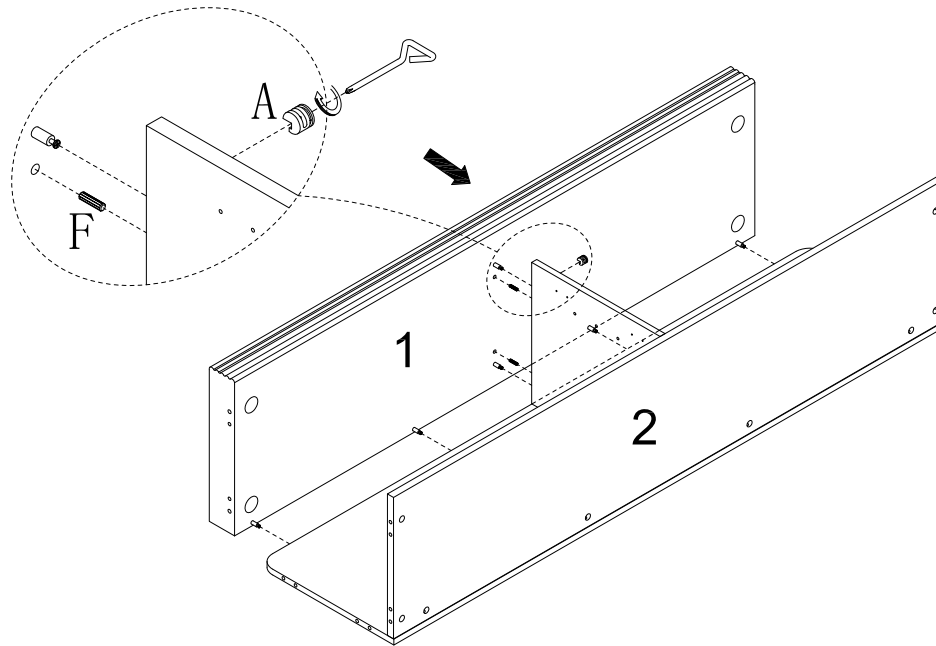


No. B

Quantity:6 Pcs



STEP 4



No. A

Quantity:2 Pcs



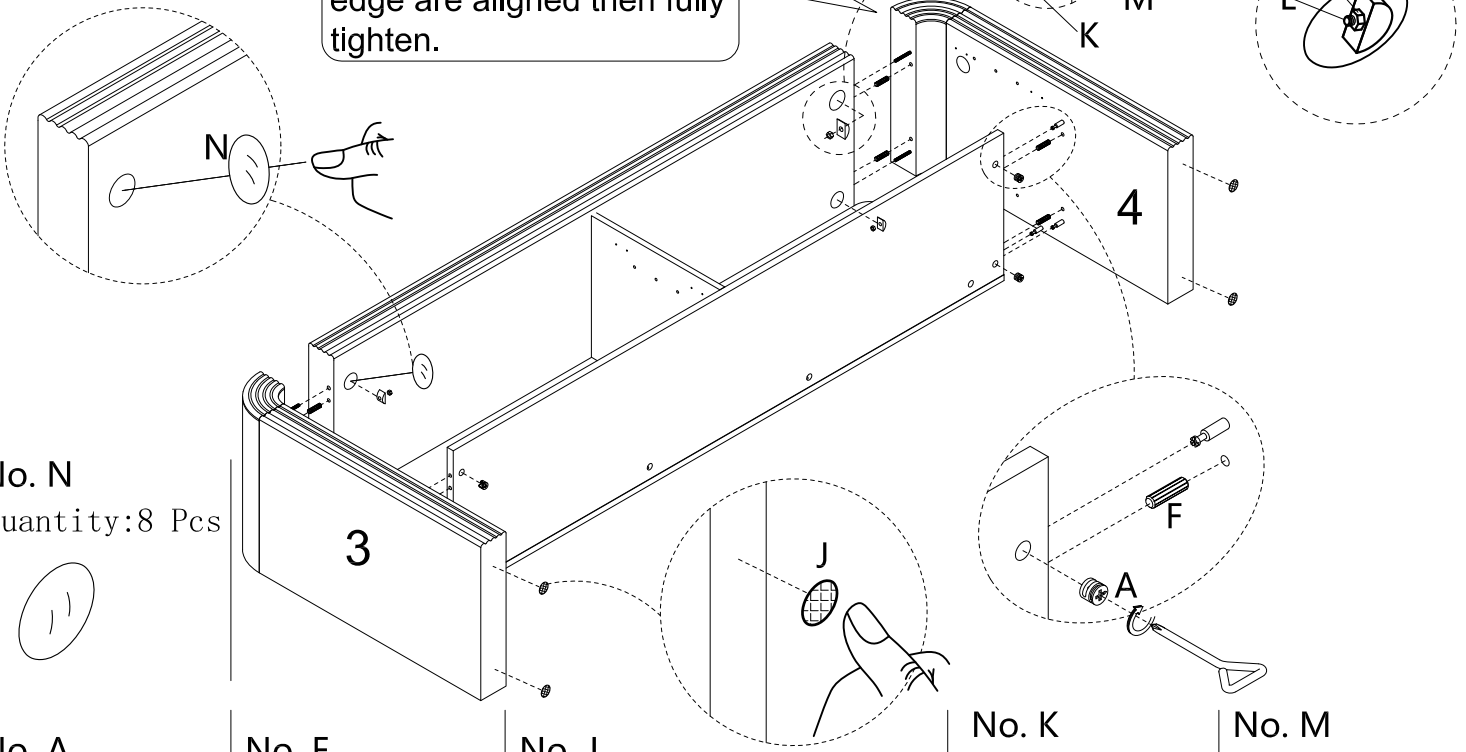
No. F

Quantity:2 Pcs



STEP 5

Do not tighten bolts until all screws and components edge are aligned then fully tighten.



No. N
Quantity: 8 Pcs



No. A
Quantity: 4 Pcs



No. F
Quantity: 12 Pcs



No. J
Quantity: 4 Pcs



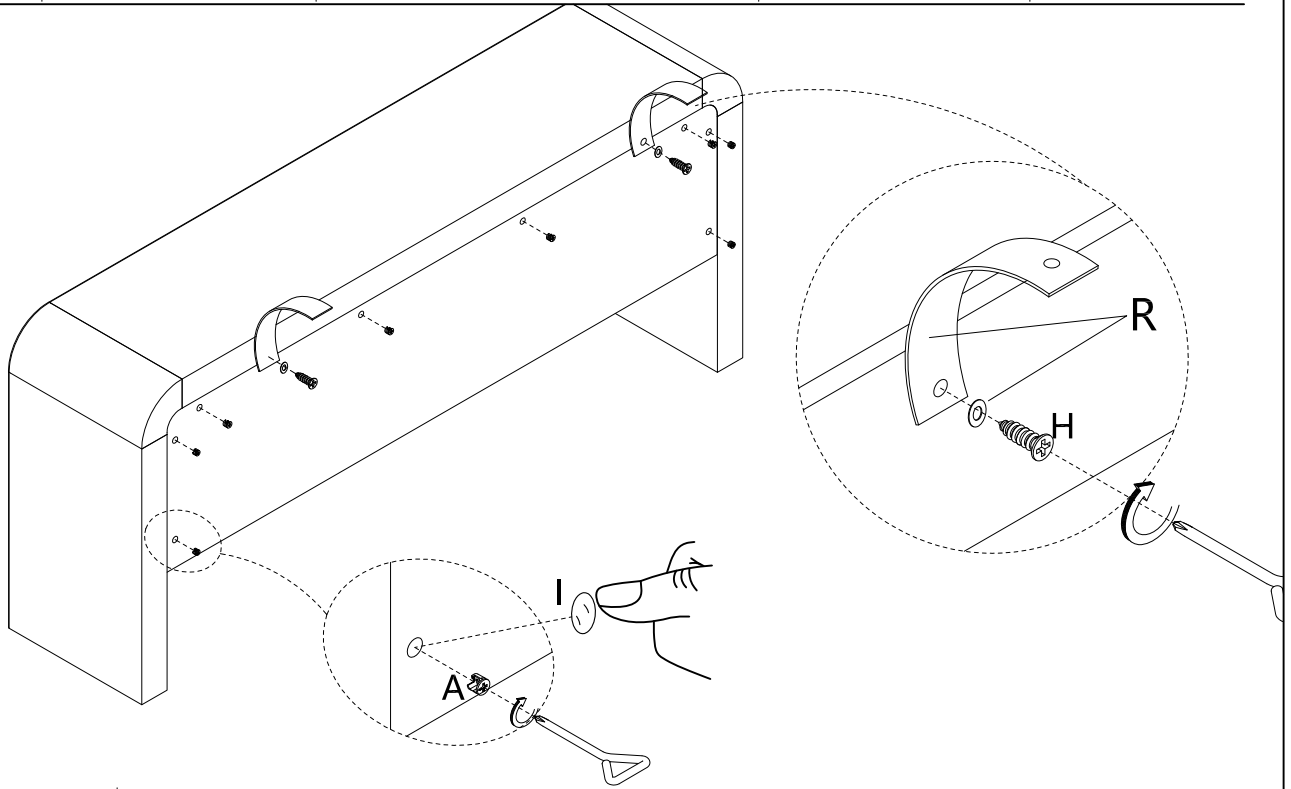
No. K
Quantity: 4 Pcs



No. M
Quantity: 4 Pcs



STEP 6



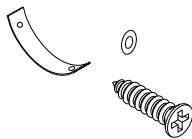
No. A
Quantity: 8 Pcs



No. I
Quantity: 20 Pcs



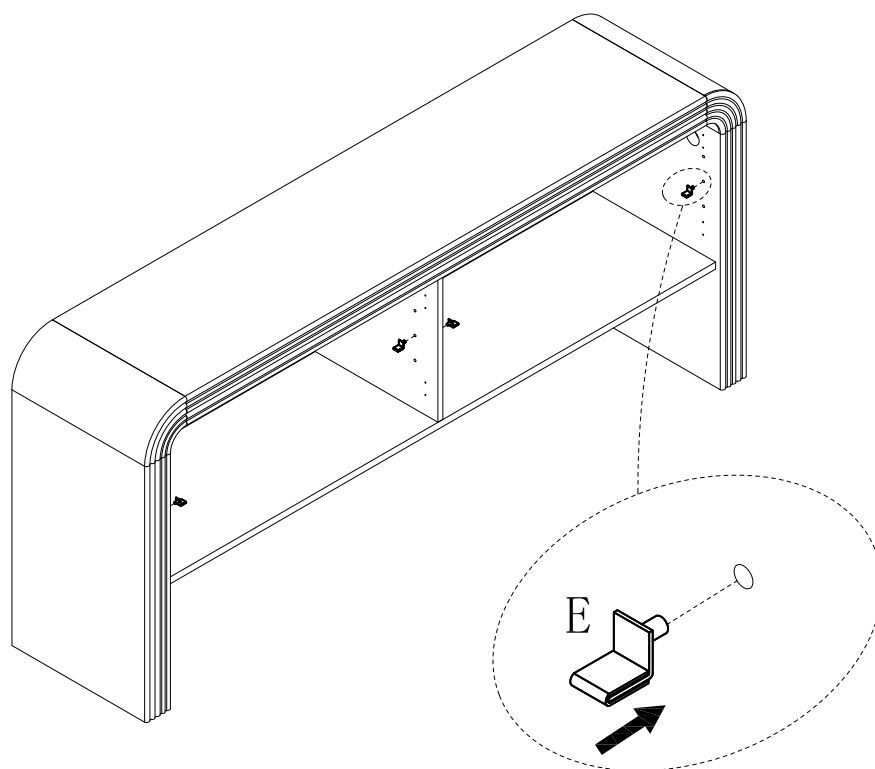
No. R
Quantity: 2 Pcs



No. H
Quantity: 2 Pcs



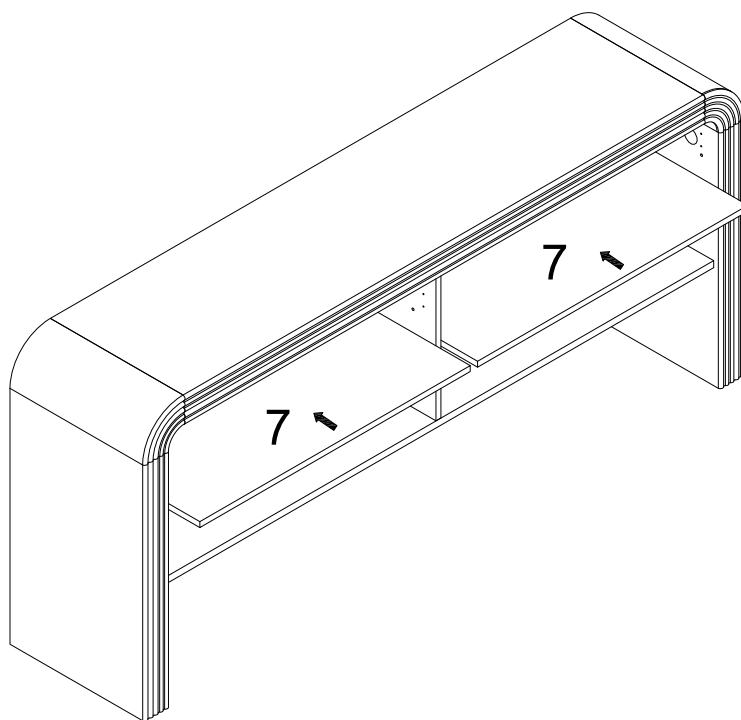
STEP 7



No. E
Quantity: 8 Pcs

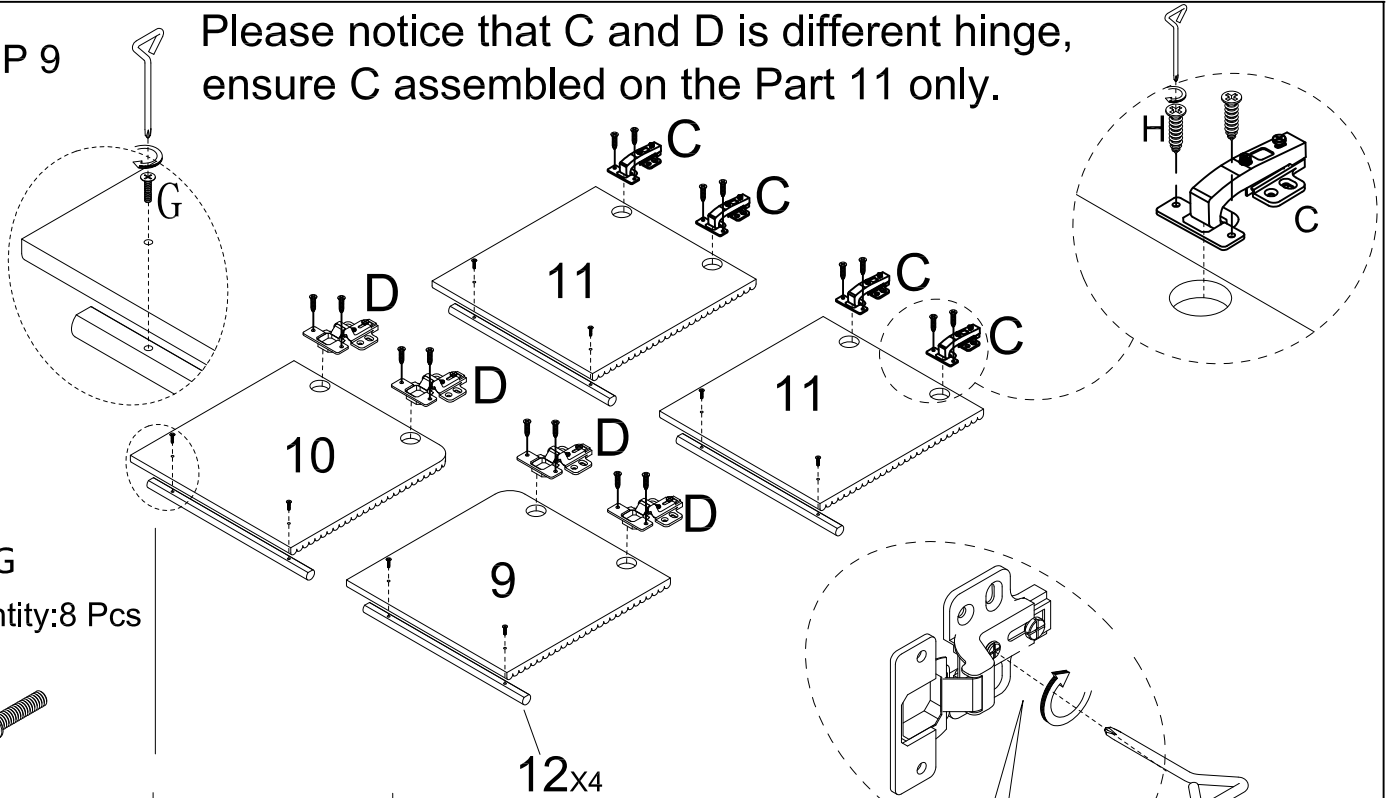


STEP 8



STEP 9

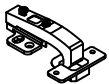
Please notice that C and D is different hinge, ensure C assembled on the Part 11 only.



No. G
Quantity:8 Pcs



No. C
Quantity:4 Pcs



No. D
Quantity:4 Pcs



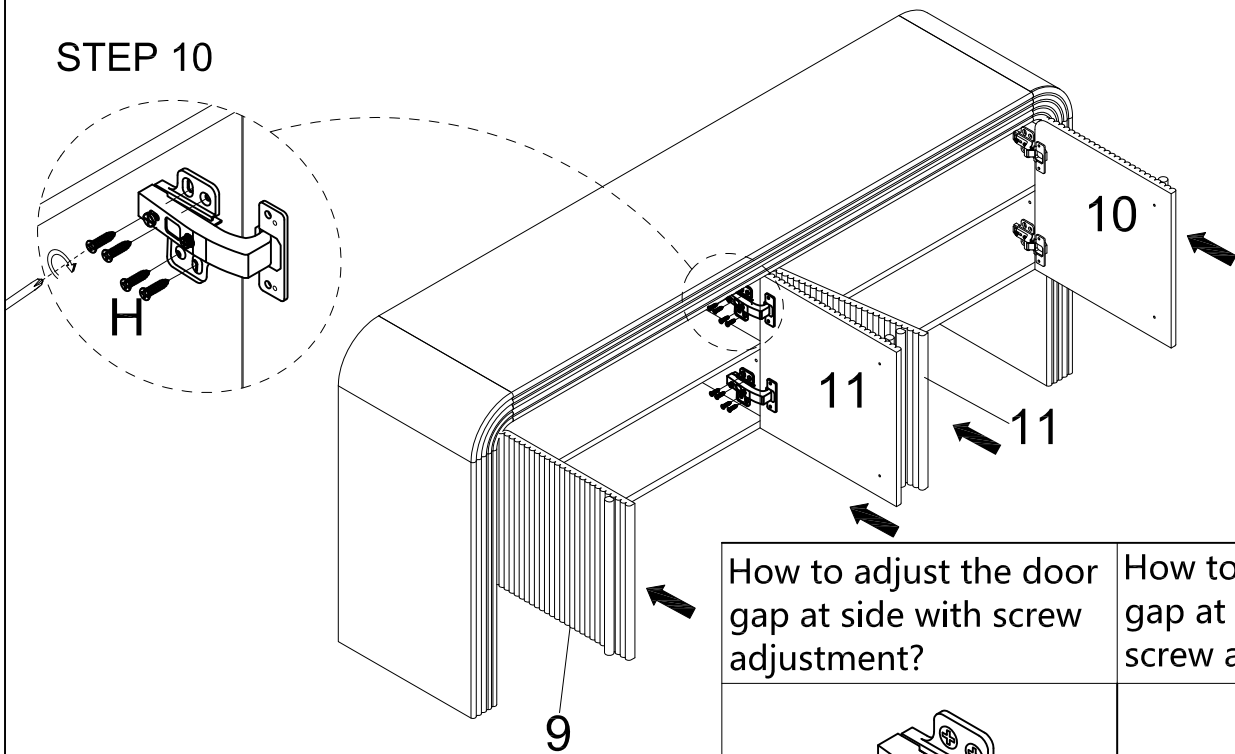
No. H
Quantity:16 Pcs



Note:

Please tighten this screw before you assemble this door, otherwise may damage door.

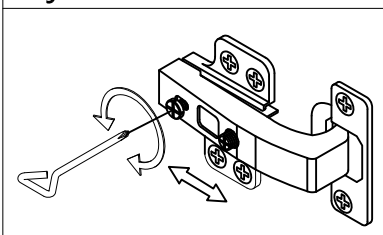
STEP 10



No. H
Quantity:32 Pcs

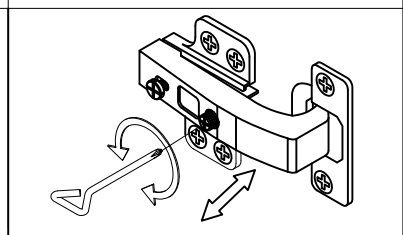


How to adjust the door gap at side with screw adjustment?



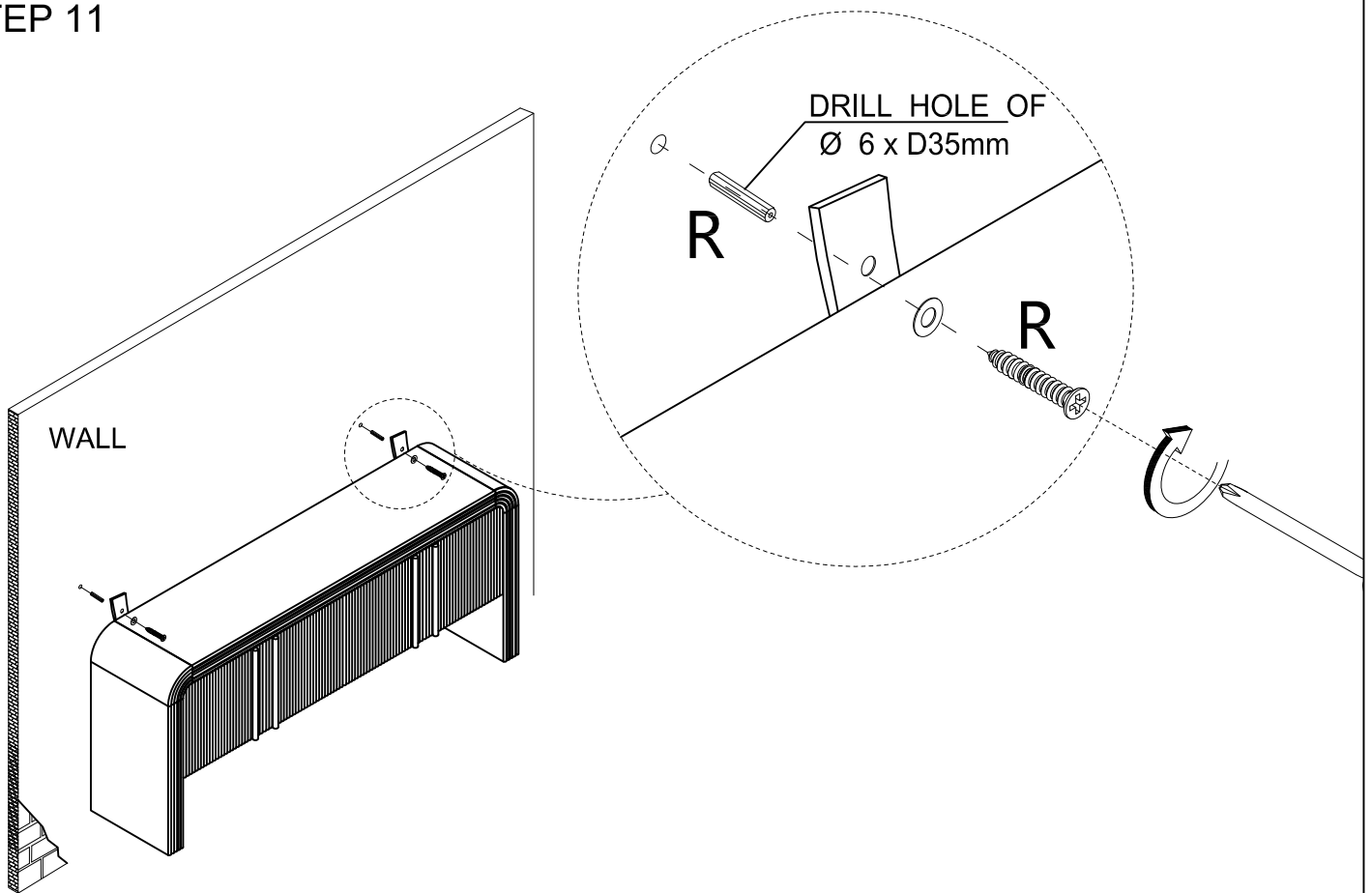
Turn left or right the adjuster properly until door is balanced.

How to adjust the door gap at front with screw adjustment?

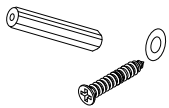


Turn left or right middle bolt adjuster properly until door is balanced.

STEP 11



No. R
Quantity: 2 Pcs



TOPPLING FURNITURE WARNING:

- It is strongly recommended that this product is permanently fixed to the wall.
- Please seek professional advice if you are in doubt of what fixing device to use.
- Regularly check that anchors are securely maintained.
- Stability of tall items may be affected by thick pile carpet or uneven floors .
- Do not place unanchored televisions on furniture .

CAUTION: for your safety when attaching the anchor fixings, please note the following:

- Check any electrical wires or plumbing inside the wall before drilling any holes (if you are unsure please seek professional advice from a qualified tradesperson).



WARNING: PLEASE SECURE YOUR FURNITURE WITH THE SUPPLIED WALL FIXING. SCAN THE CODE FOR MORE INFORMATION.



lifely.com.au

Great job. You're done!

Don't forget to share how it looks in
your space and tag us on Instagram.

@lifelyhome #homewithlifely!