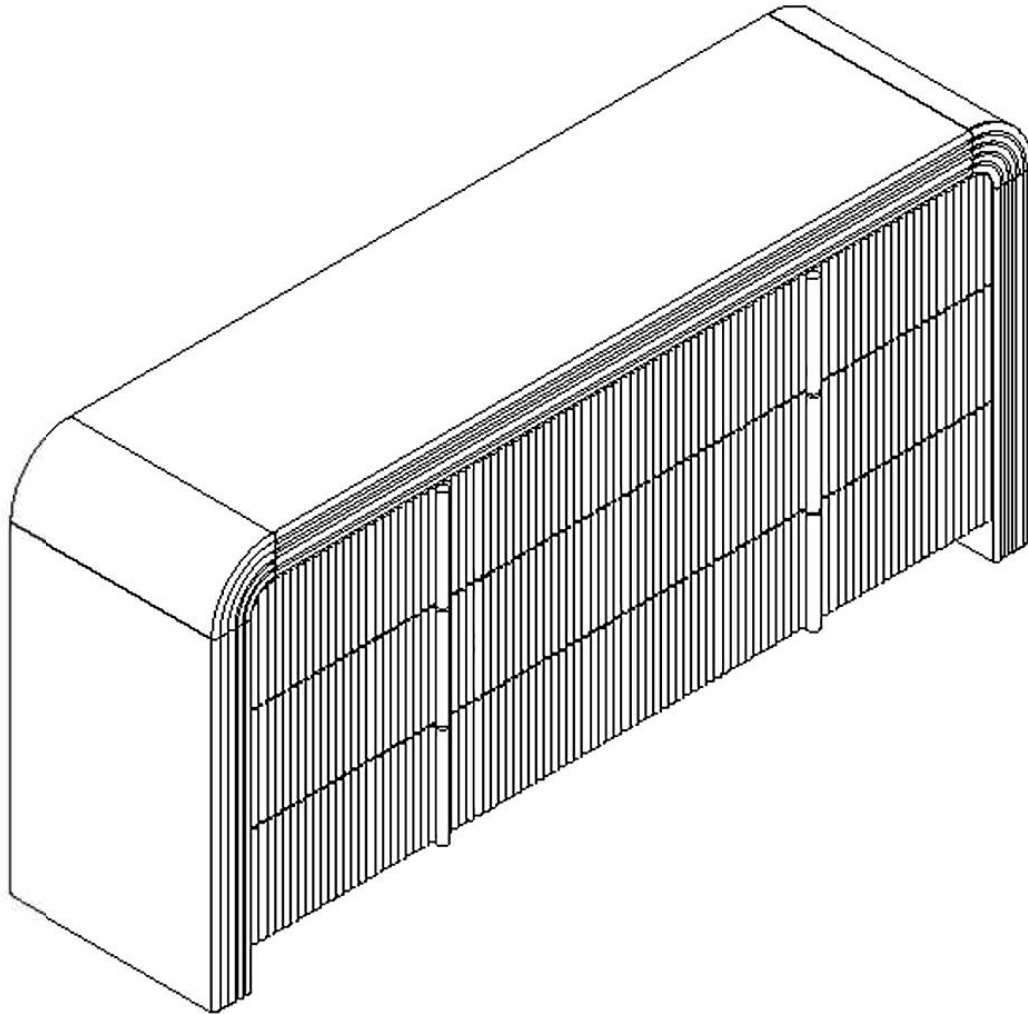


# Assembly Instructions

## Arlo Series



# Lifely\*

### Product Code

ARLO-8COD-WHT Arlo Sideboard

### Dimensions(W x D x H)

1600\*400\*750mm

---

### Important

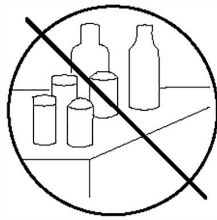
Please read through instruction carefully  
Before assembly and keep for future reference.

For our full catalogue of assembly instructions,  
Visit: [lifely.com.au/assembly](http://lifely.com.au/assembly).

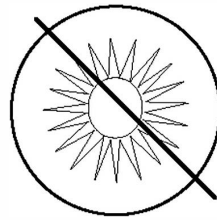
## Important Tips and Maintenance



1. Keep children and animals away from working area as smaller parts may cause choking if swallowed.



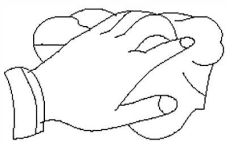
2. Never place liquids or anything damp upon furniture as it will mark. Ensure a coaster or running is beneath.



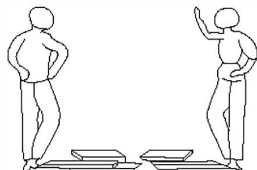
3. Never use ammonia based cleaning products as it will damage the finish.



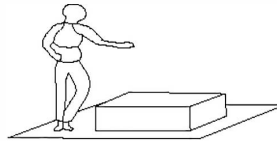
4. To avoid fading, keep furniture out of direct sunlight.



5. Use a soft or dry cloth when wiping or cleaning surfaces.



6. Two person are required.



7. Lay a soft matt down to protect the furniture piece before and during assembly.

So your relationship is strong. But is it flat-pack furniture strong? Unless you're an aerospace engineer, assembling furniture can be slightly stressful. We recommend meditating quietly, pouring yourself a herbal tea (or slightly less herbal wine) and tackling things one step at a time. If you feel a passive aggressive remark coming on, try a compliment instead. E.g. "You're so good looking."

This 9-step assembly should take around 70 minutes with an Allen key-or 55 minutes with an electric drill.

Designed for everyday

## Component Hardware CTN 1/2

Please check you have all the fittings  
part or tools are listed in below.

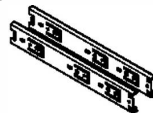
**No. A**  
Quantity:54 Pcs  
Cam  
Ø15\*12mm



**No. B**  
Quantity:54 Pcs  
Cam Lock Dowel  
Ø7\*25



**No. C**  
Quantity:6 Sets  
Slider  
L=250mm



**No. D**  
Quantity:24 Pcs  
Screw  
Ø3.5\*35mm



**No. E**  
Quantity:1 Pcs  
Screw  
M6\*25mm



**No. F**  
Quantity:17Pcs  
Wooden Dowel  
Ø8\*30mm



**No. G**  
Quantity:12 Pcs  
Screw  
M4\*25mm



**No. H**  
Quantity:75 Pcs  
Screw  
Ø3.5\*14mm



**No. I**  
Quantity:52Pcs  
Cover  
Ø20mm



**No. J**  
Quantity:5 Pcs  
EVA Pad  
Ø25



**No. K**  
Quantity:8 Pcs  
M8



**No. L**  
Quantity:8 Pcs  
M8x70



**No. M**  
Quantity:8 Pcs



**No. N**  
Quantity:8Pc  
Cover  
Ø50mm



**No. O**  
Quantity:1 Pc  
Key  
5mm



**No. P**  
Quantity:1 Pc  
Key



**No. Q**  
Quantity:1 Pair  
Gloves



**No. R**  
L=200mm X2  
Ø4\*25mm x2  
Ø4 x4



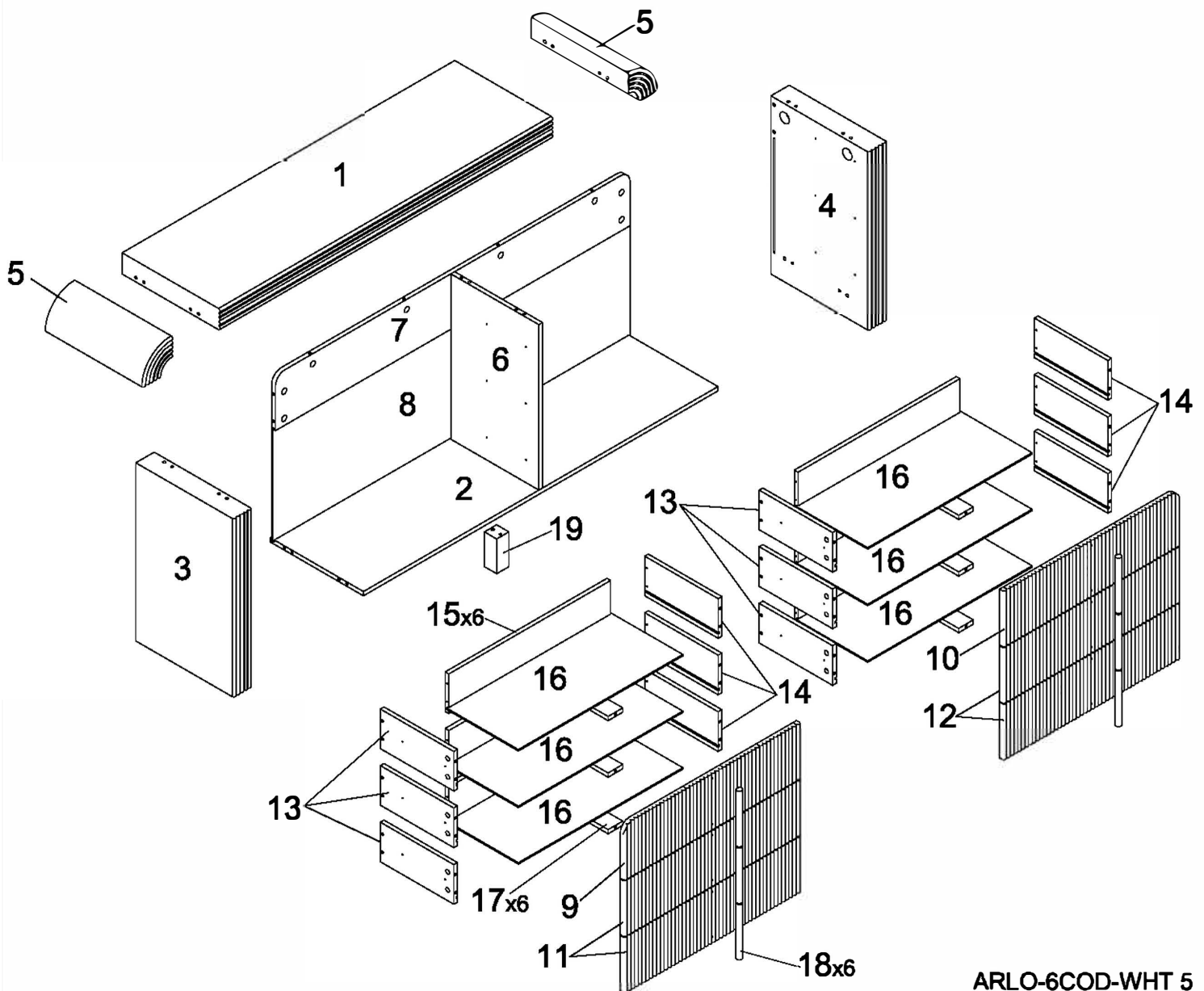
**No. S**  
Quantity:6 Pcs  
Angle plastic  
Ø3\*18mm



# Component Panels & part List

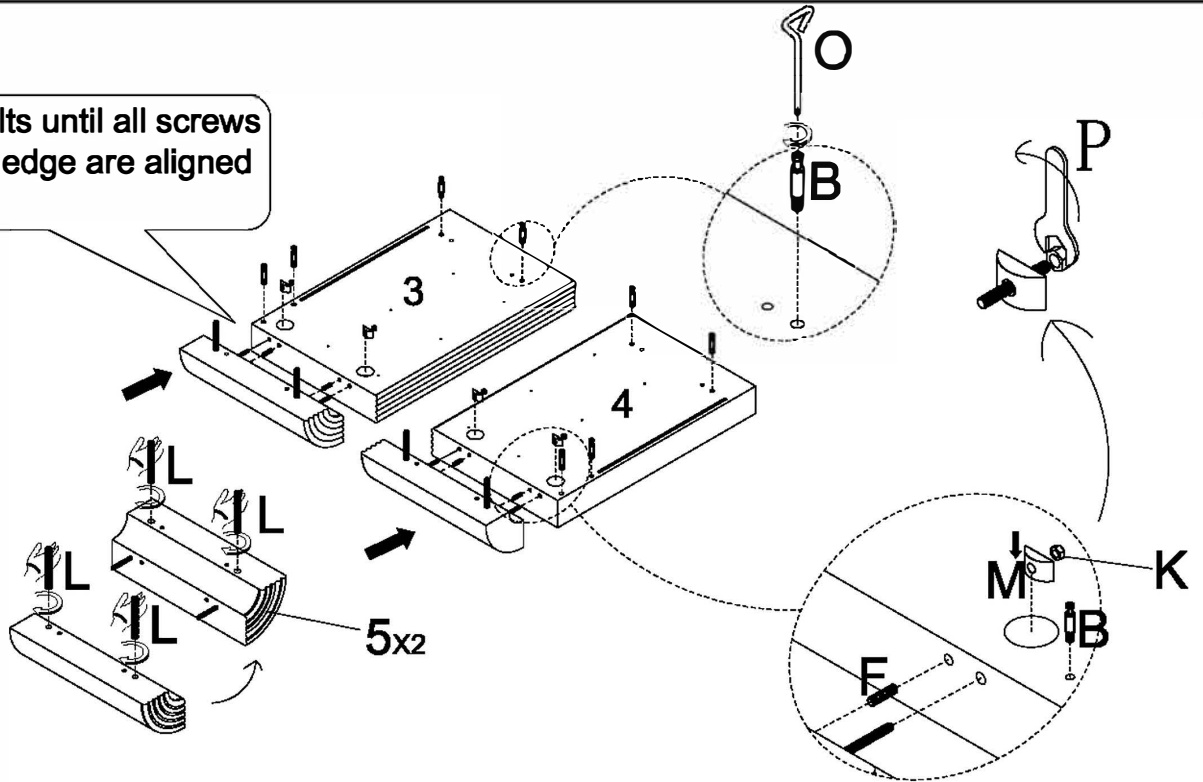
Please check you have all the panels are listed below.

- |                                  |         |                                    |         |
|----------------------------------|---------|------------------------------------|---------|
| 1. Top Panel-----x1              | CTN 2/2 | 13. Drawer Side Panel-Left-----x6  | CTN 1/2 |
| 2. Bottom Panel-----x1           | CTN 2/2 | 14. Drawer Side Panel-Right-----x6 | CTN 1/2 |
| 3. Side Panel-Left-----x1        | CTN 2/2 | 15. Drawer Back Panel-----x6       | CTN 1/2 |
| 4. Side Panel-Right-----x1       | CTN 2/2 | 16. Drawer Bottom Panel-----x6     | CTN 1/2 |
| 5. Corner-----x1                 | CTN 2/2 | 17. Drawer Bottom Supporting---x6  | CTN 1/2 |
| 6. Division Panel-----x1         | CTN 1/2 | 18. Drawer Handle-----x6           | CTN 1/2 |
| 7. Back Supporting-----x1        | CTN 2/2 | 19. Middle Leg-----x1              | CTN 1/2 |
| 8. Back Panel-----x1             | CTN 2/2 |                                    |         |
| 9. Drawer Panel-Left-Upper---x1  | CTN 1/2 |                                    |         |
| 10. Drawer Panel-Right-Upper--x1 | CTN 1/2 |                                    |         |
| 11. Drawer Panel-Left-Down---x1  | CTN 1/2 |                                    |         |
| 12. Drawer Panel-Right-Down---x1 | CTN 1/2 |                                    |         |

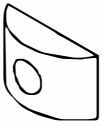


# STEP 1

Do not tighten bolts until all screws and components edge are aligned then fully tighten.



No. M  
Quantity: 4 Pcs



No. B  
Quantity: 8 Pcs



No. F  
Quantity: 4 Pcs



No. K  
Quantity: 4 Pcs



No. L  
Quantity: 8 Pcs



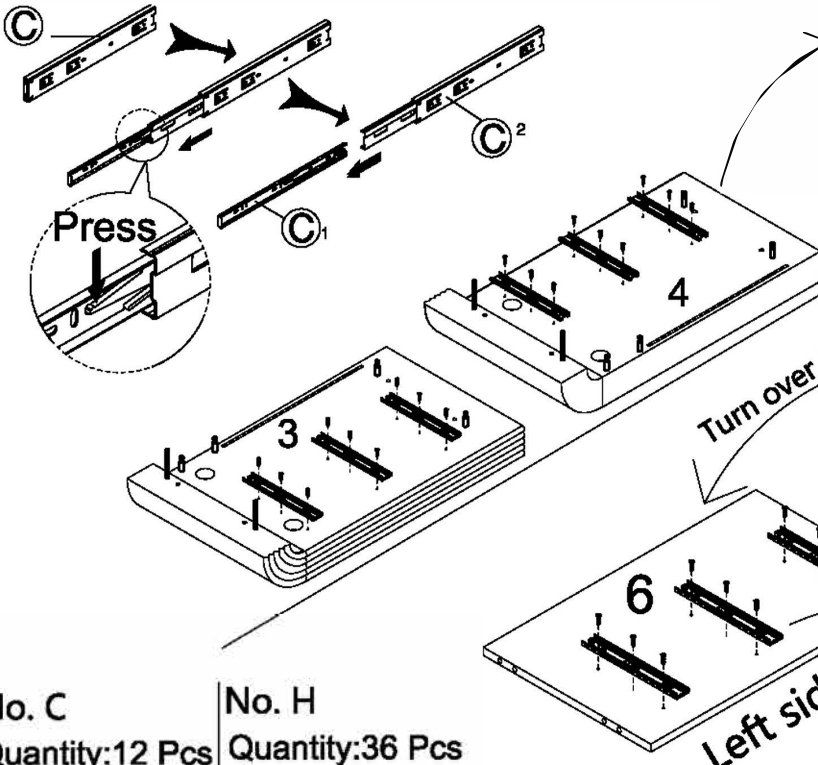
No. O  
Quantity: 1Pc



No. P  
Quantity: 1Pc



# STEP 2



No. C  
Quantity: 12 Pcs



C2

No. H  
Quantity: 36 Pcs

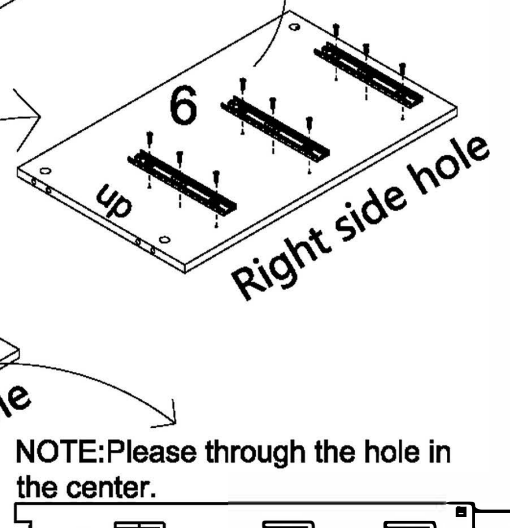


NOTE: Please through the hole in the center.



Last Third Hole

Second Hole



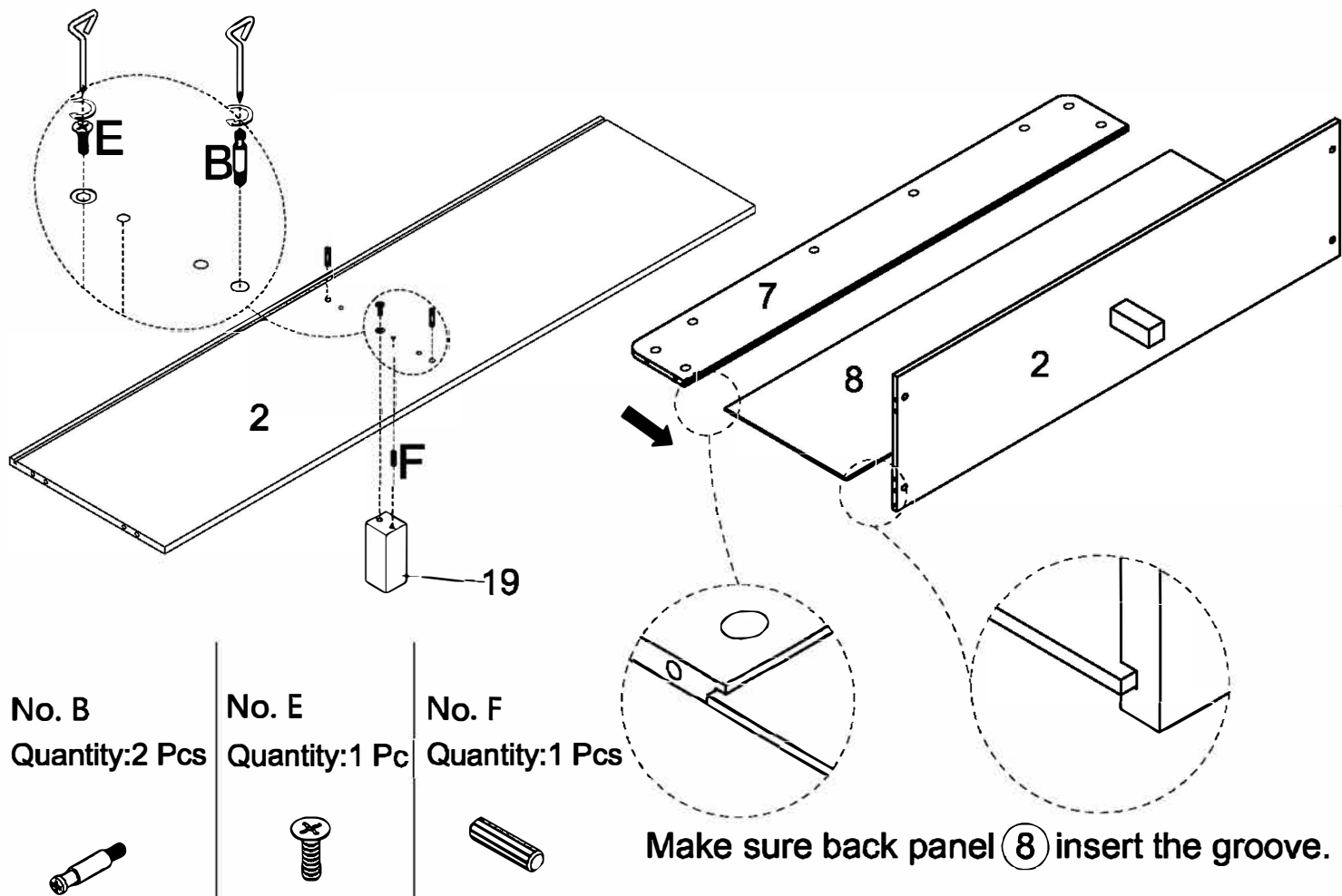
NOTE: Please through the hole in the center.



Last Second Hole

Third Hole

### STEP 3



No. B  
Quantity: 2 Pcs

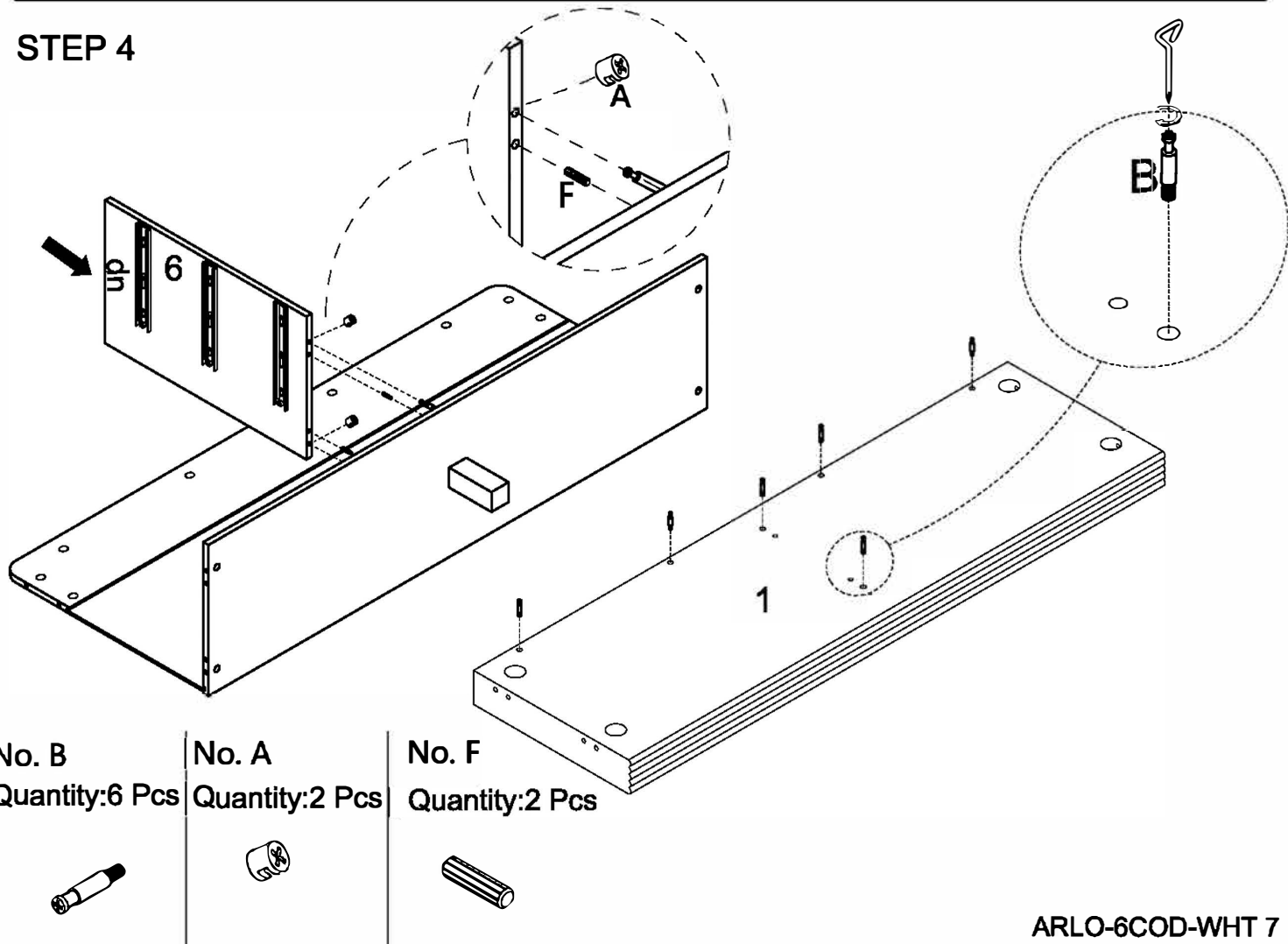
No. E  
Quantity: 1 Pc

No. F  
Quantity: 1 Pcs



Make sure back panel (8) insert the groove.

### STEP 4



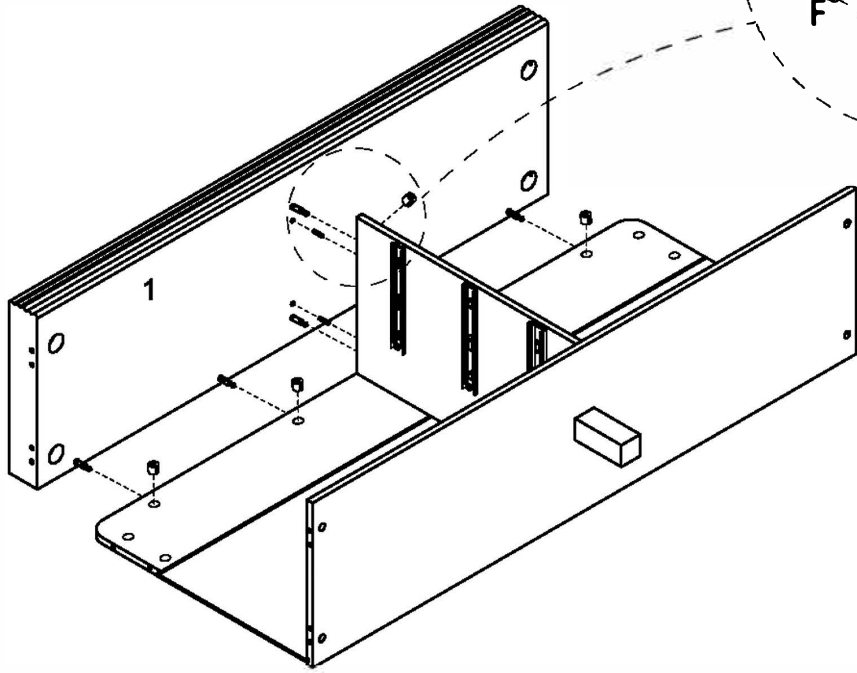
No. B  
Quantity: 6 Pcs

No. A  
Quantity: 2 Pcs

No. F  
Quantity: 2 Pcs



# STEP 5

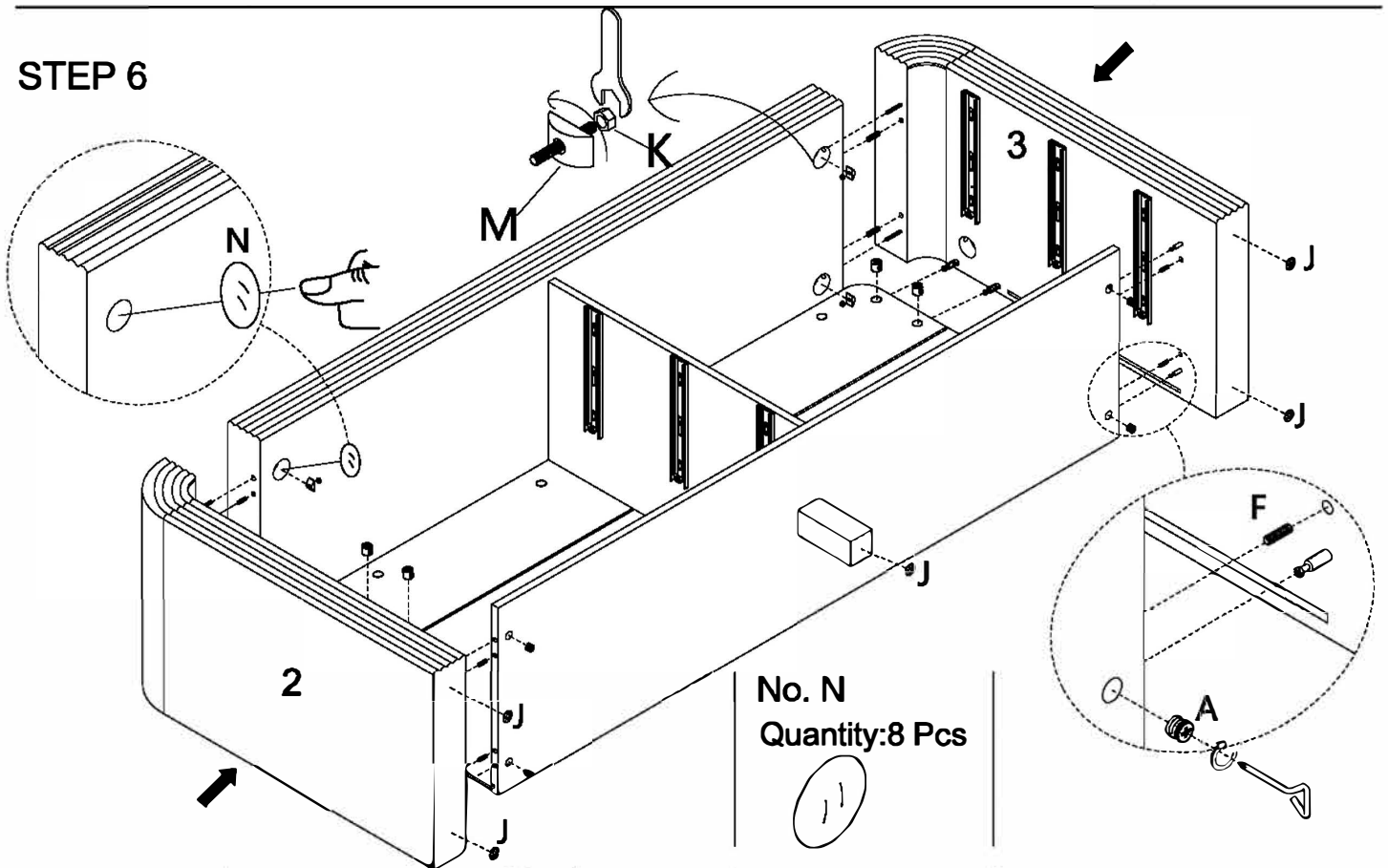


No. A  
Quantity:6 Pcs

No. F  
Quantity:2 Pcs



# STEP 6



No. N  
Quantity:8 Pcs

No. K  
Quantity:4 Pcs

No. A  
Quantity:8 Pcs

No. F  
Quantity:8 Pcs

No. J  
Quantity:5 Pcs

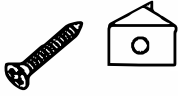
No. M  
Quantity:4 Pcs





# STEP 7

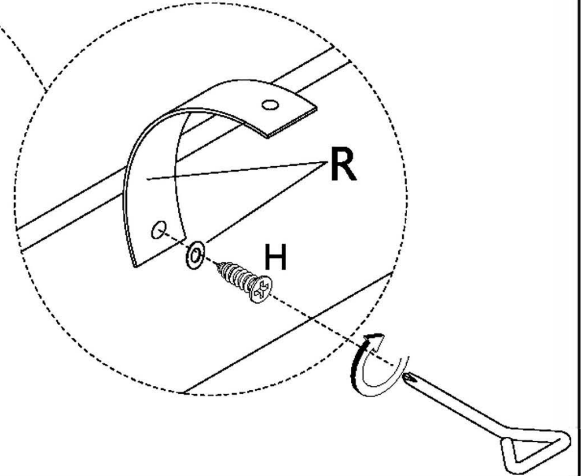
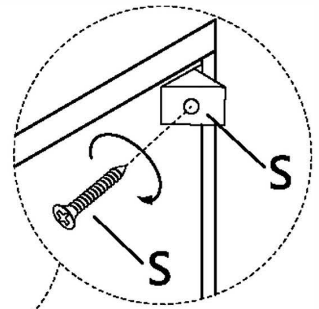
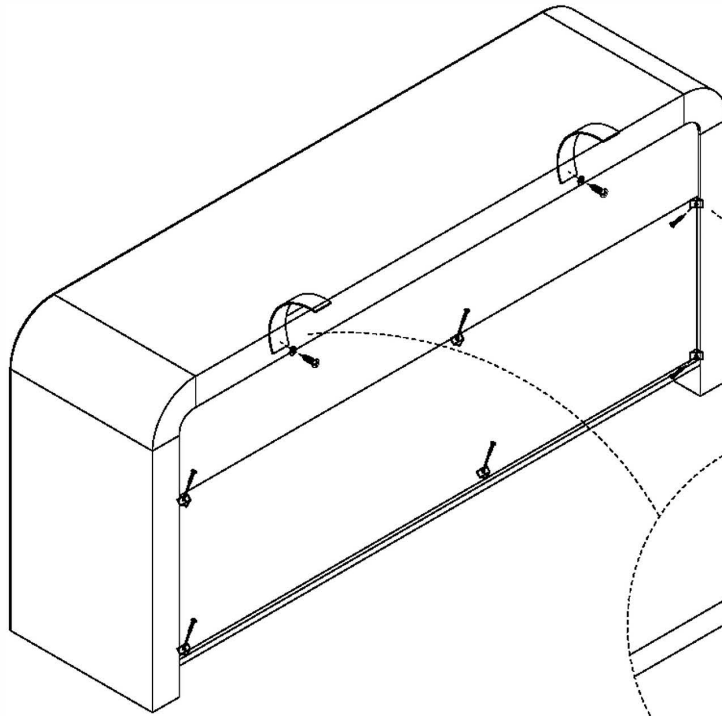
No. S  
Quantity:6 Pcs



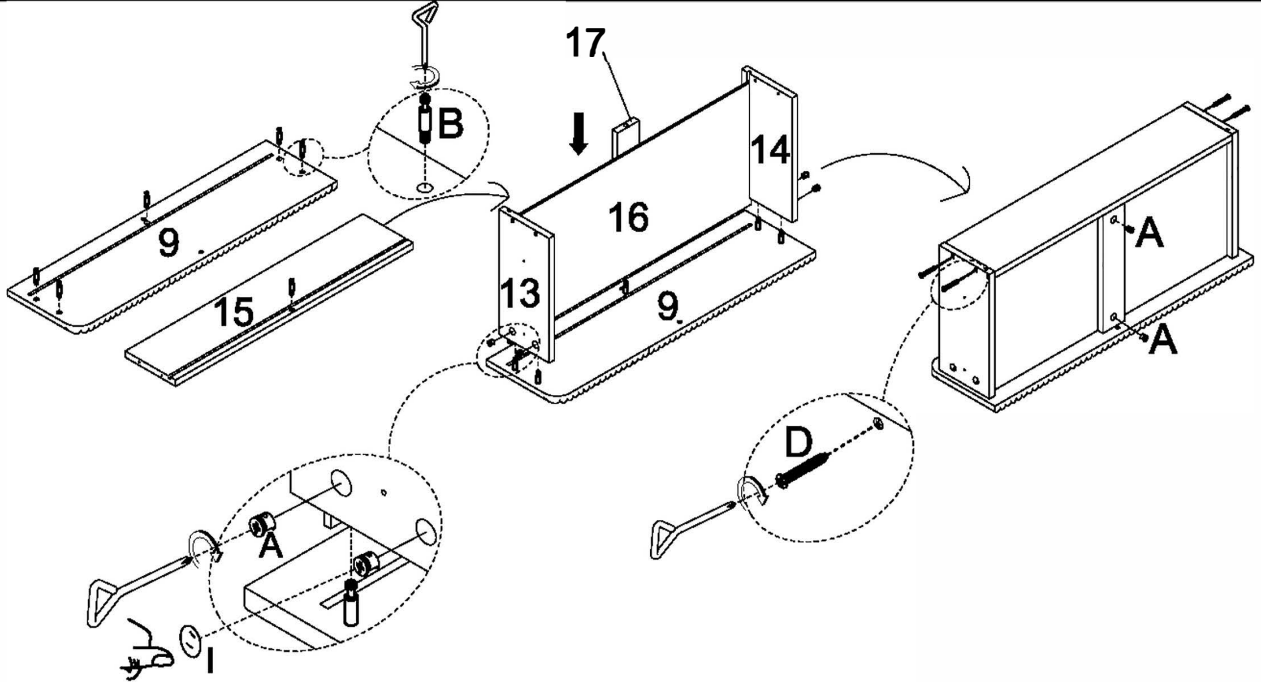
No. H  
Quantity:2 Pcs



No. R  
Quantity:2 Pcs



# STEP 8



No. A  
Quantity:36Pcs



No. B  
Quantity:36Pcs



No. D  
Quantity:24Pcs

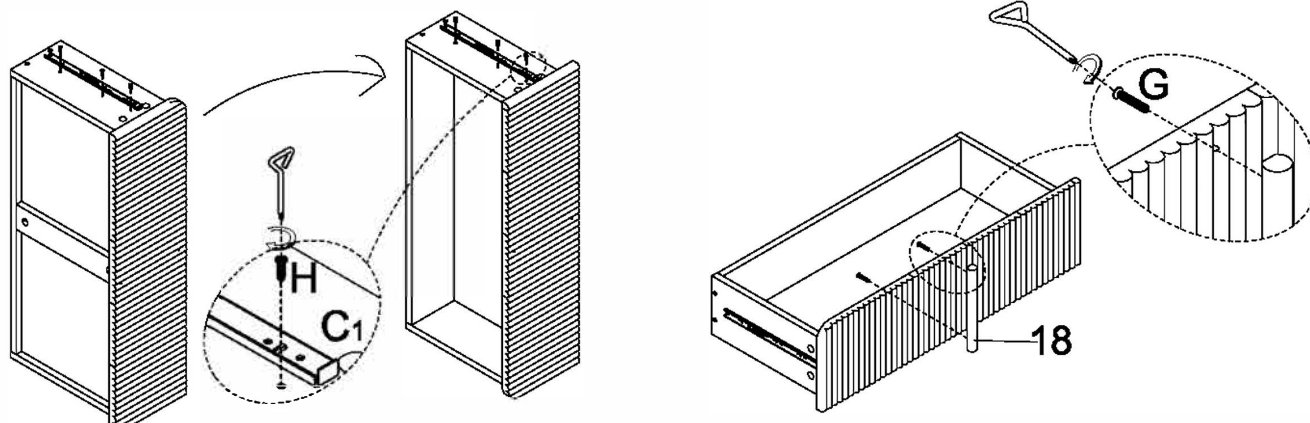
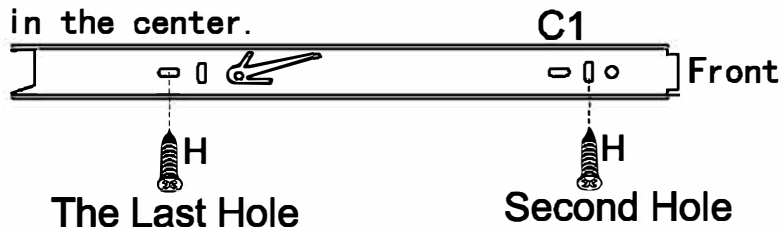


No. I  
Quantity:36Pcs



# STEP 9

NOTE: Please through the hole in the center.



All drawers assemble handle & slider in the same way.

No. C  
Quantity: 12Pcs



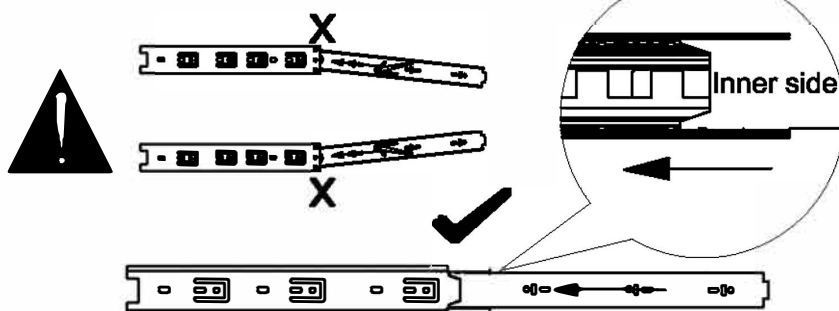
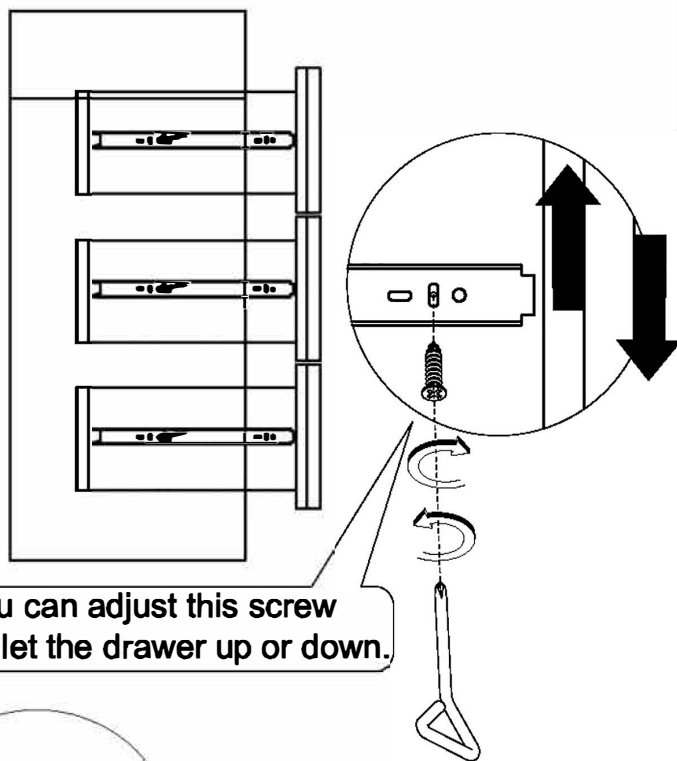
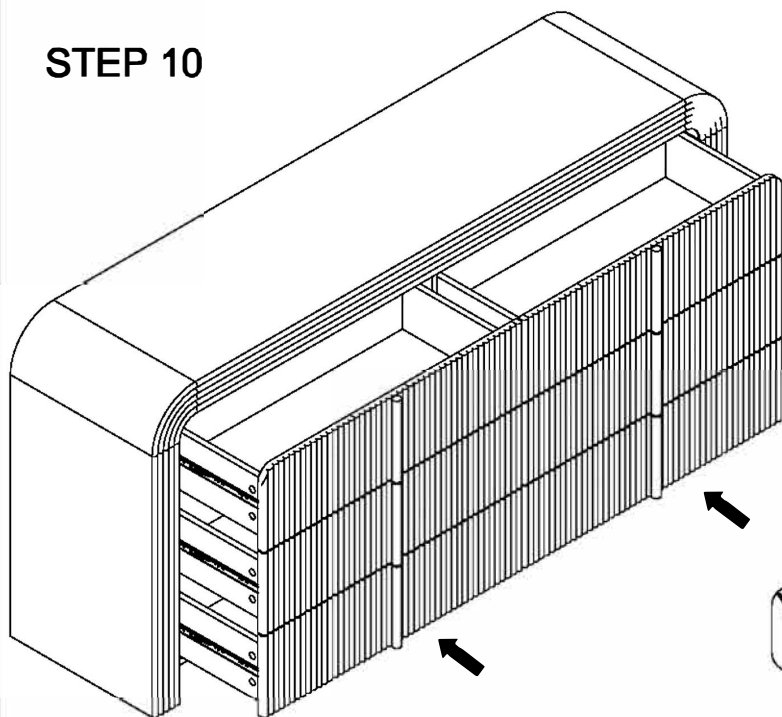
No. H  
Quantity: 36Pcs



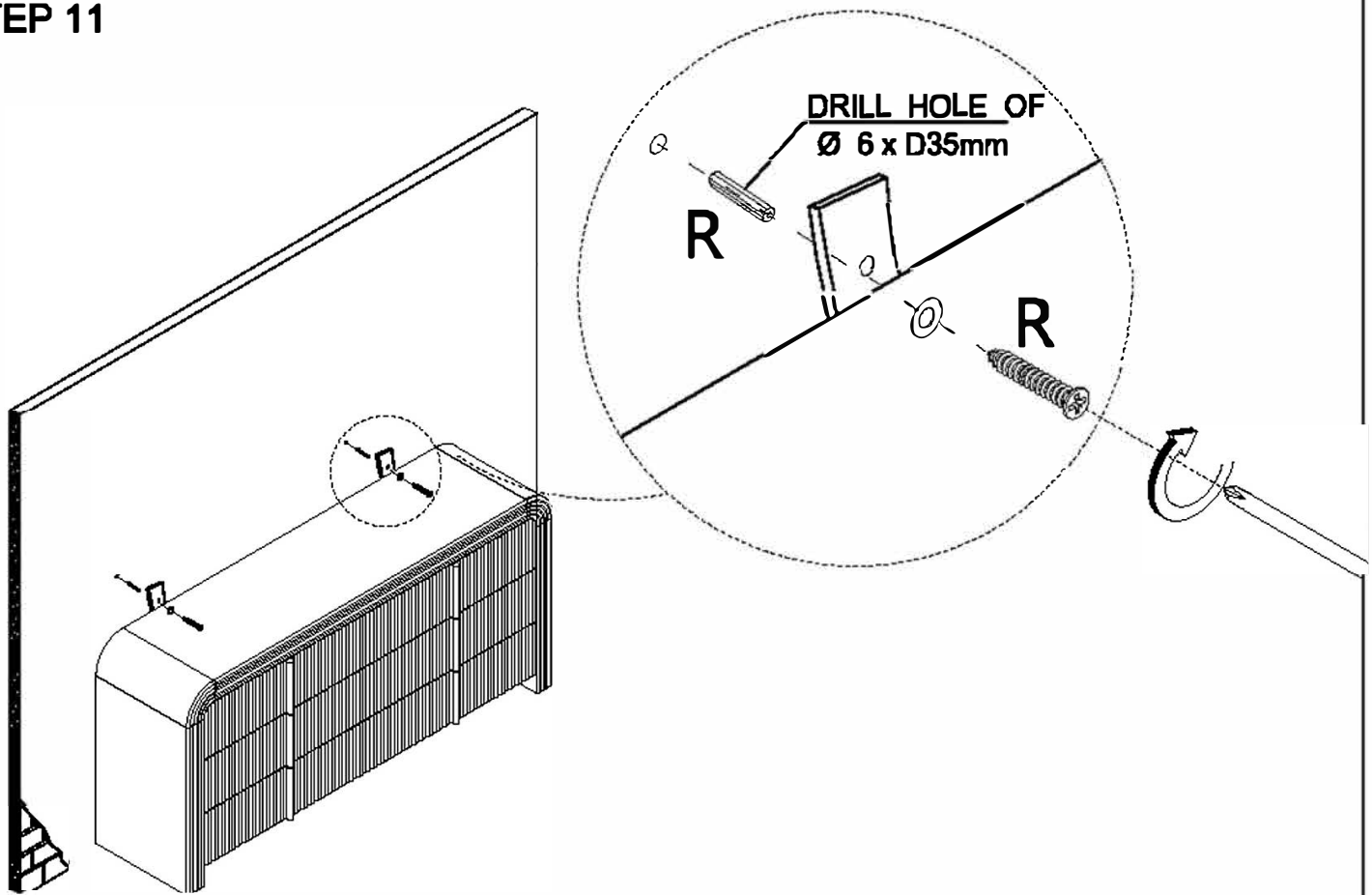
No. G  
Quantity: 12Pcs



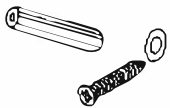
# STEP 10



## STEP 11



No. R  
Quantity: 2 Pcs



### TOPPLING FURNITURE WARNING:

- It is strongly recommended that this product is permanently fixed to the wall.
- Please seek professional advice if you are in doubt of what fixing device to use.
- Regularly check that anchors are securely maintained.
- Stability of tall items may be affected by thick pile carpet or uneven floors .
- Do not place unanchored televisions on furniture .

**CAUTION:** for your safety when attaching the anchor fixings, please note the following:

- Check any electrical wires or plumbing inside the wall before drilling any holes (if you are unsure please seek professional advice from a qualified tradesperson).



WARNING: PLEASE SECURE YOUR FURNITURE WITH THE SUPPLIED WALL FIXING. SCAN THE CODE FOR MORE INFORMATION.



[lifely.com.au](https://lifely.com.au)

**Great job. You're done!**

Don't forget to share how it looks in  
your space and tag us on Instagram.

**@lifelyhome #homewithlifely!**