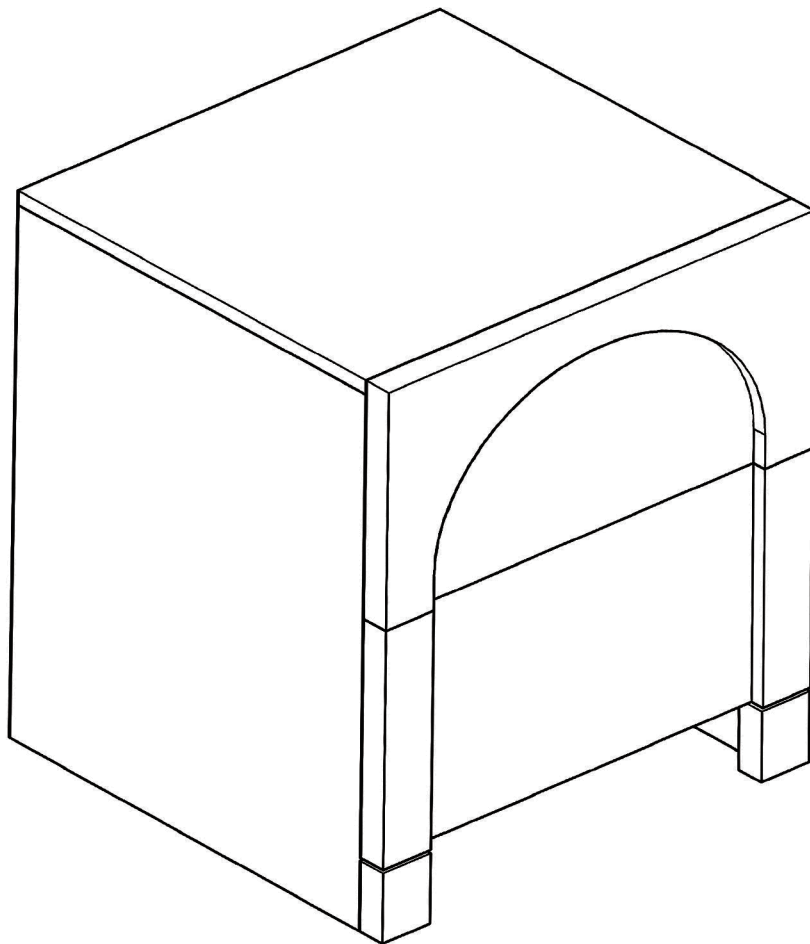


# Assembly Instructions

## ARCH SERIES



# Lifely\*

Product Code  
ARH-BS-WHT  
Arch Bedside Table

Dimensions (W x D x H)  
450x400x600mm

---

### Important

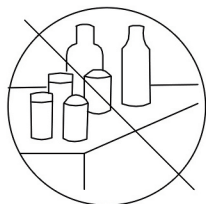
Please read through instruction carefully  
Before assembly and keep for future reference.

For our full catalogue of assembly instructions,  
Visit: [lifely.com.au/assembly](http://lifely.com.au/assembly).

# Important Tips and Maintenance



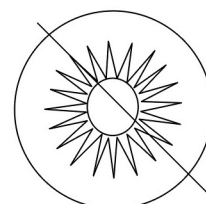
1. Keep children and animals away from working area as smaller parts may cause choking if swallowed.



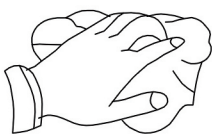
2. Never place liquids or anything damp upon furniture as it will mark. Ensure a coaster or running is beneath.



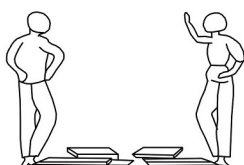
3. Never use ammonia based cleaning products as it will damage the finish.



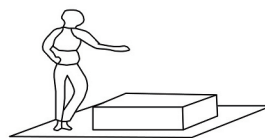
4. To avoid fading, keep furniture out of direct sunlight.



5. Use a soft or damp cloth(dry cloth)when wiping or cleaning surfaces.



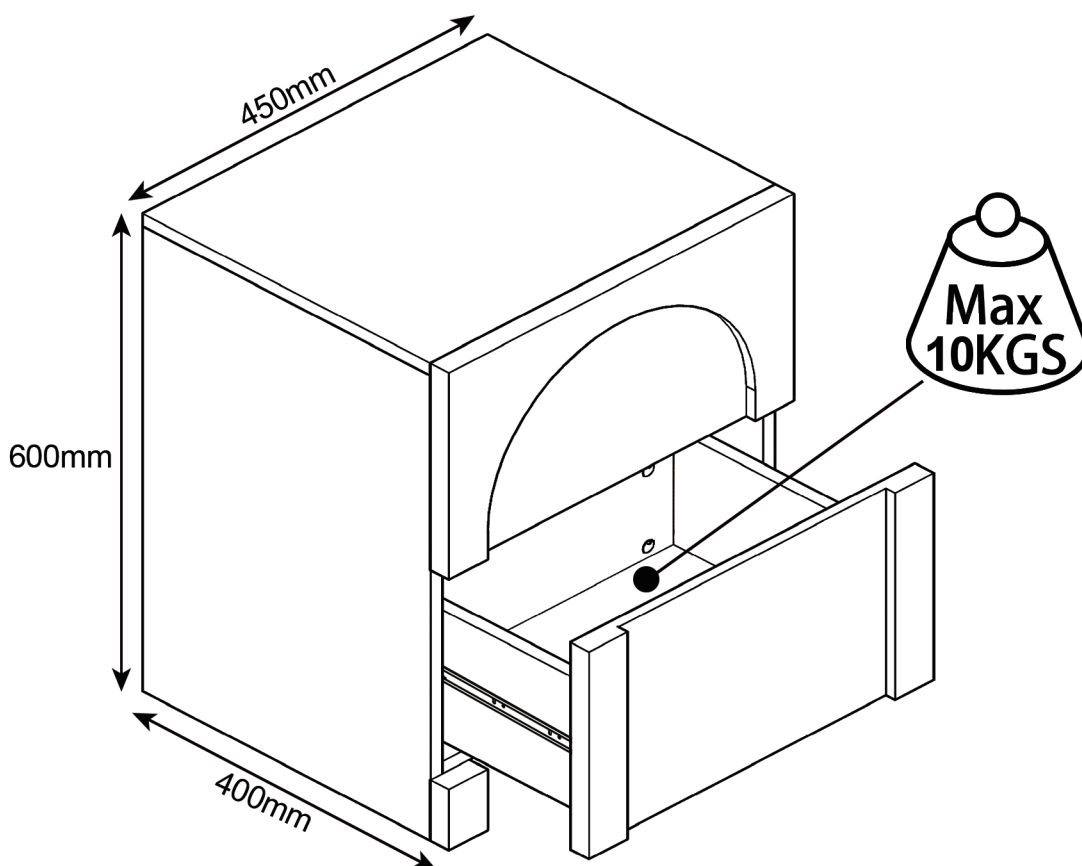
6. Two person are required.



7. Lay a soft matt down to protect the furniture piece before and during assembly.



8. SET-UP TIME: 40 MINUTE



So your relationship is strong. But is it flat-pack furniture strong? Unless you're an aerospace engineer, assembling furniture can be slightly stressful. We recommend meditating quietly, pouring yourself a herbal tea (or slightly less herbal wine) and tackling things one step at a time. If you feel a passive aggressive remark coming on, try a compliment instead. E.g. "You're so good looking".

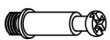
This 14 -Step assembly should take around 40 minutes with an Allen Key-or 30 minutes with an electric drill. Godspeed.

Designed for everyday

## Component Hardware

Please check you have all the fittings  
part or tools are listed in below.

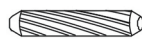
No. A  
Quantity: 38Pcs  
Cam Bolt



No. B  
Quantity: 38Pcs  
Cam Nut



No. C  
Quantity: 20Pcs  
Dowel 8\*40mm



No. D  
Quantity: 28Pcs  
Screw 4\*16mm



No. E  
Quantity: 4Pcs  
Guide



No. F  
Quantity: 12Pcs  
Sticker



No. G  
Quantity: 4Pcs  
Buckle



No. H  
Quantity: 1Pc  
Allen Key

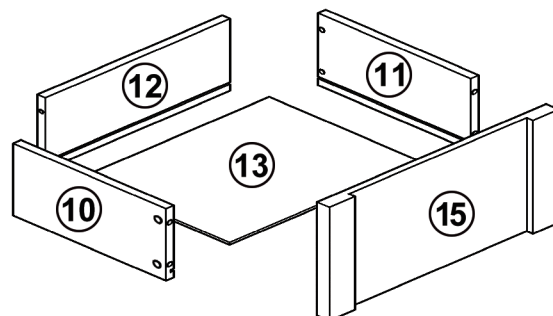
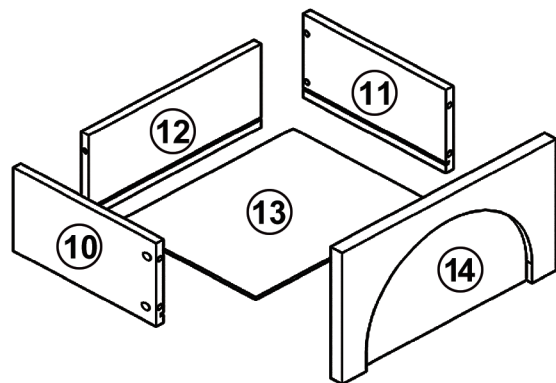
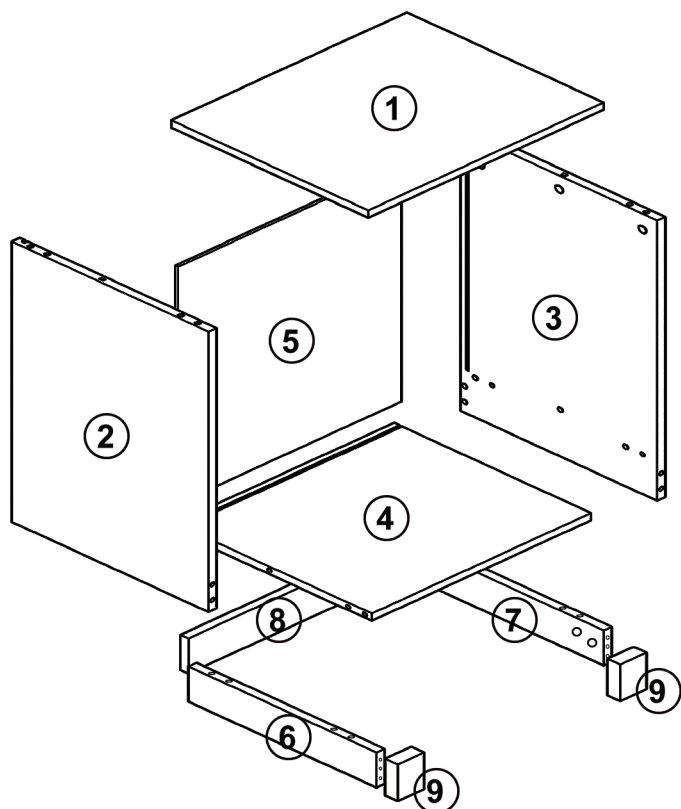




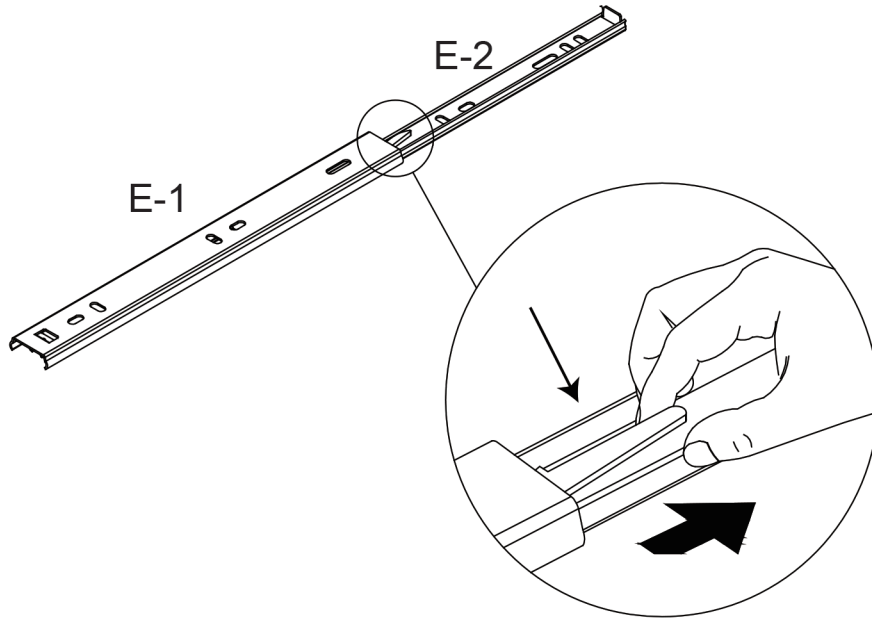
## Component Panels & part List

Please check you have all the panels  
are listed below.

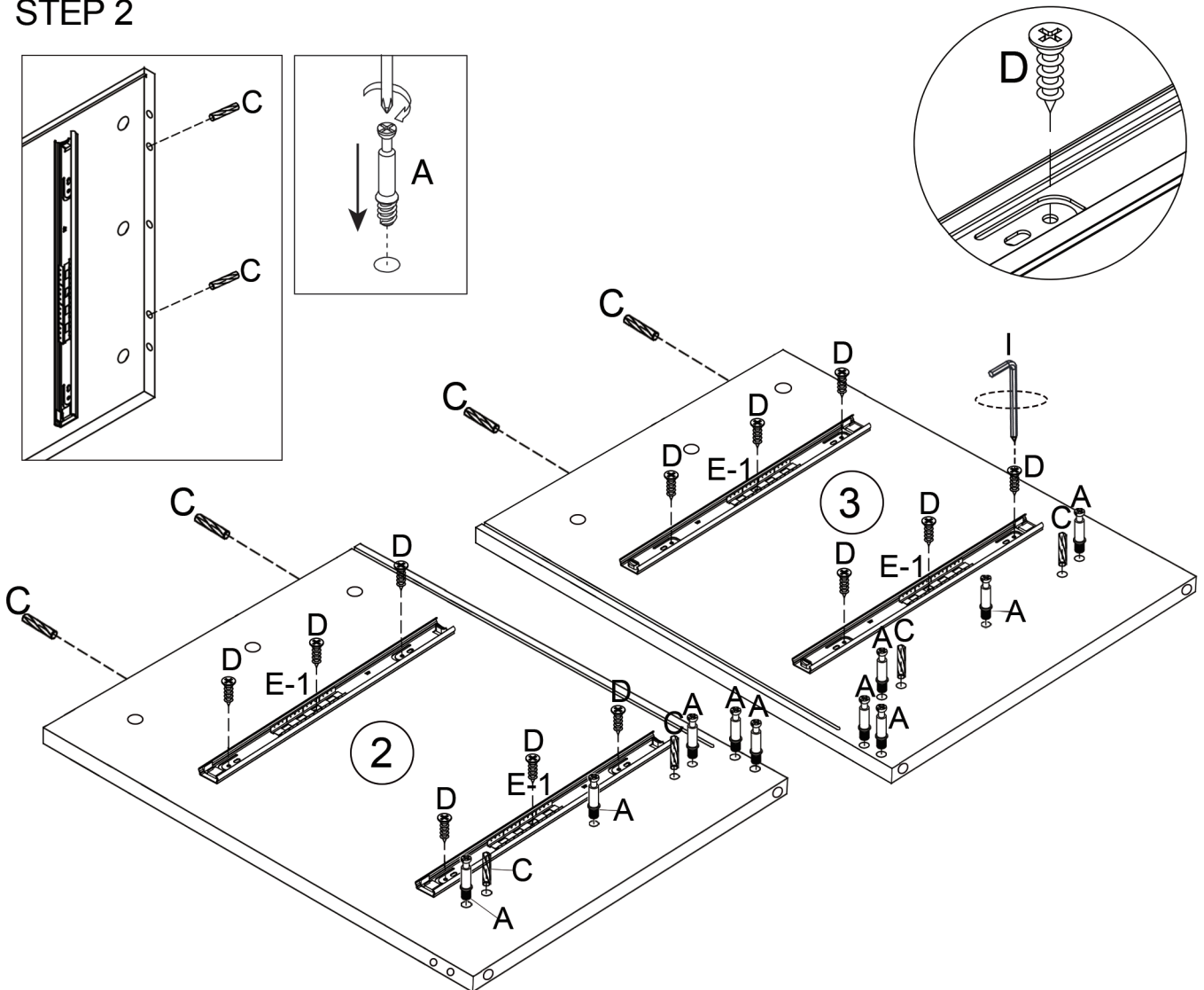
1. TOP PANEL ----- x1
2. LEFT SIDE PANEL ----- x1
3. RIGHT SIDE PANEL ----- x1
4. BOTTOM PANEL ----- x1
5. BACK PANEL ----- x1
6. BASE LEFT PANEL ----- x1
7. BASE RIGHT PANEL ----- x1
8. BASE PANEL ----- x1
9. SUPPORT LEG ----- x2
10. DRAWER LEFT SIDES PANEL ----- x2
11. DRAWER RIGHT SIDES PANEL ----- x2
12. DRAWER BACK PANEL ----- x2
13. DRAWER BOTTOM PANEL ----- x2
14. FRONT DRAWER PANEL ----- x1
15. BOTTOM DRAWER PANEL ----- x1



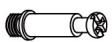
# STEP 1



# STEP 2



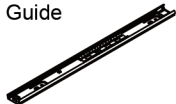
No. A  
Quantity: 10Pcs  
Cam Bolt



No. D  
Quantity: 12Pcs  
Screw 4\*16mm



No. E-1  
Quantity: 4Pcs  
Guide



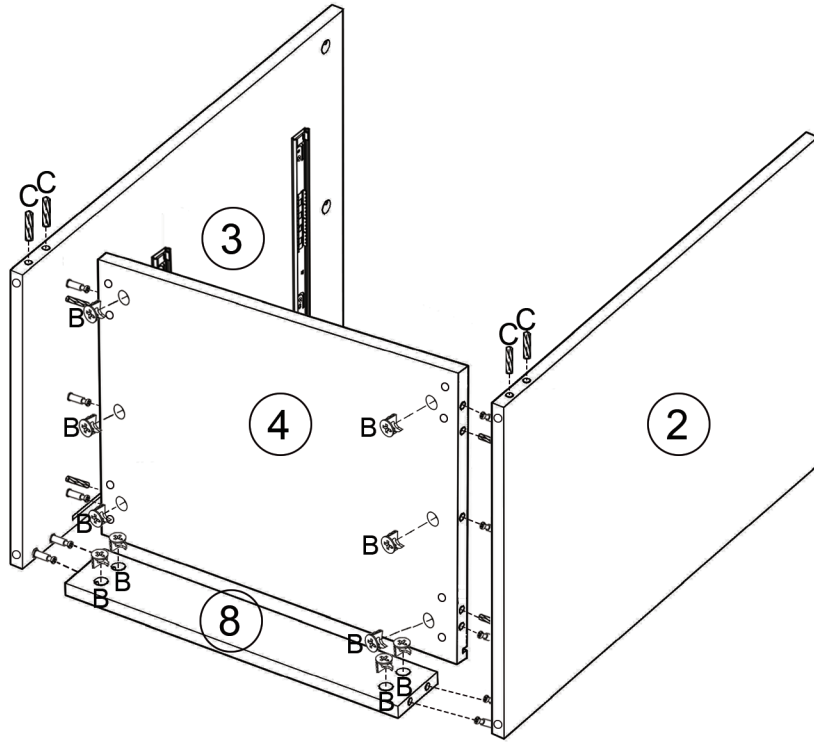
No. C  
Quantity: 8Pcs  
Dowel 8\*40mm



No. H  
Quantity: 1Pc  
Allen Key



### STEP 3



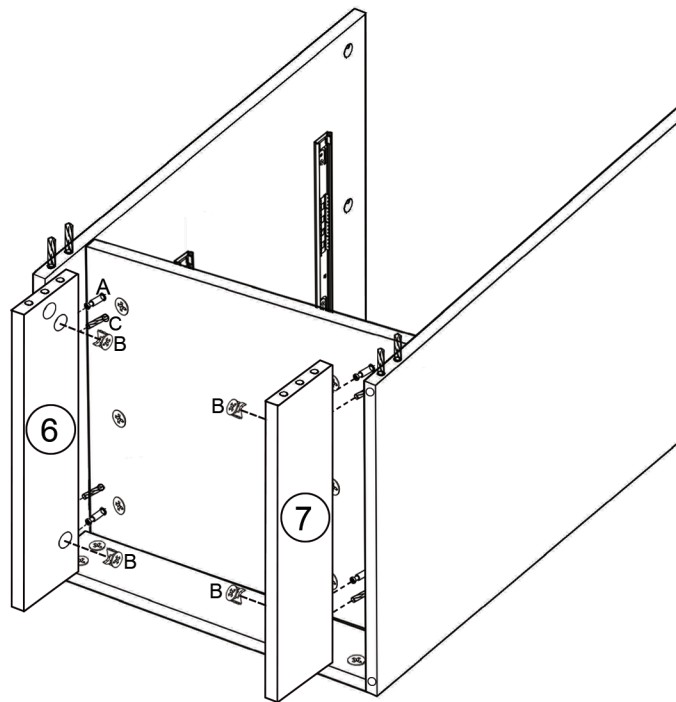
No. B  
Quantity: 10Pcs  
Cam Nut



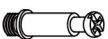
No. C  
Quantity: 4Pcs  
Dowel 8\*40mm



### STEP 4



No. A  
Quantity: 4Pcs  
Cam Bolt



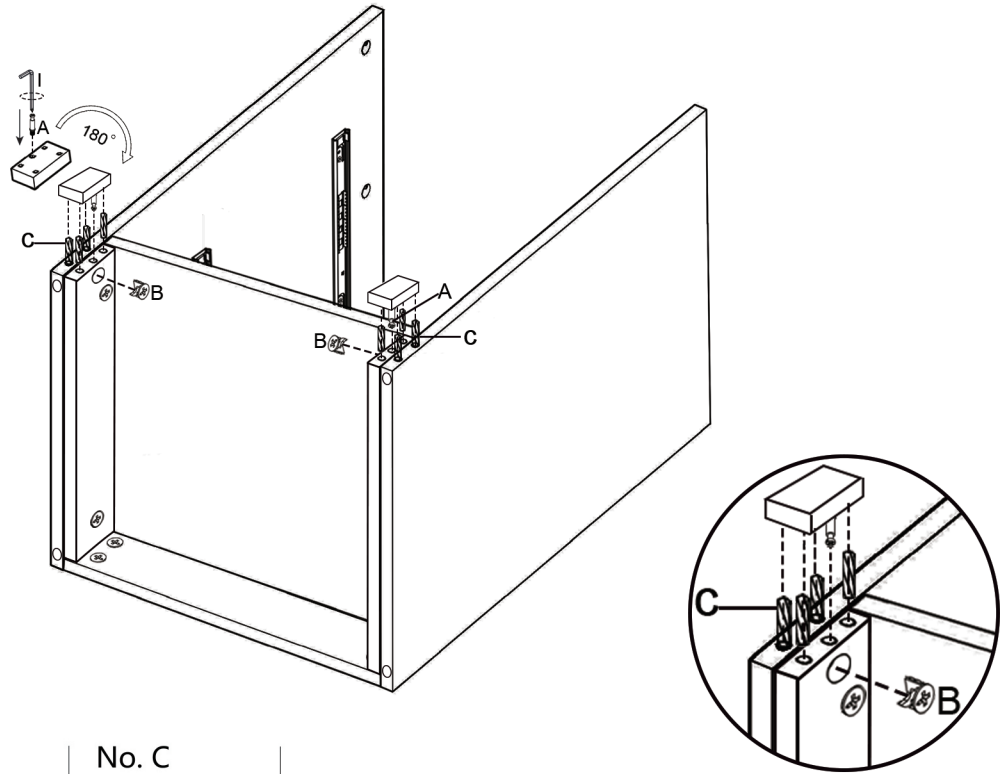
No. B  
Quantity: 4Pcs  
Cam Nut



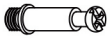
No. C  
Quantity: 4Pcs  
Dowel 8\*40mm



## STEP 5



No. A  
Quantity: 2Pcs  
Cam Bolt



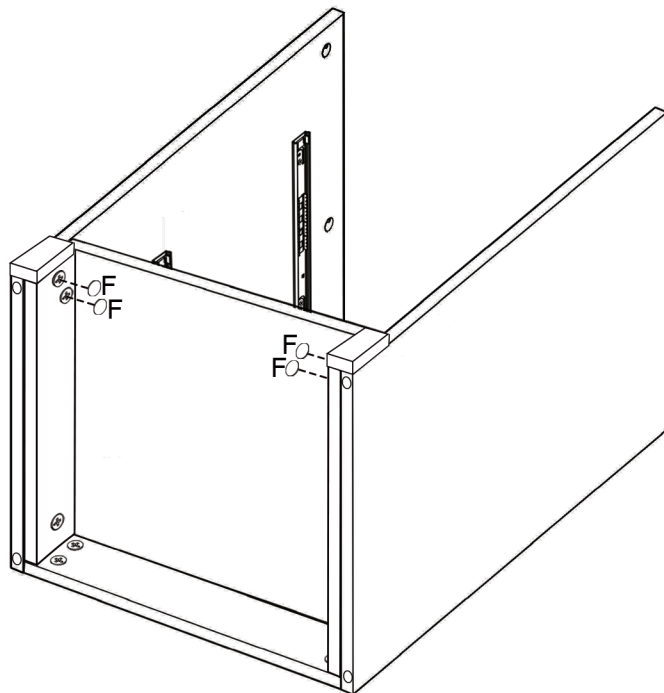
No. B  
Quantity: 2Pcs  
Cam Nut



No. C  
Quantity: 4Pcs  
Dowel 8\*40mm



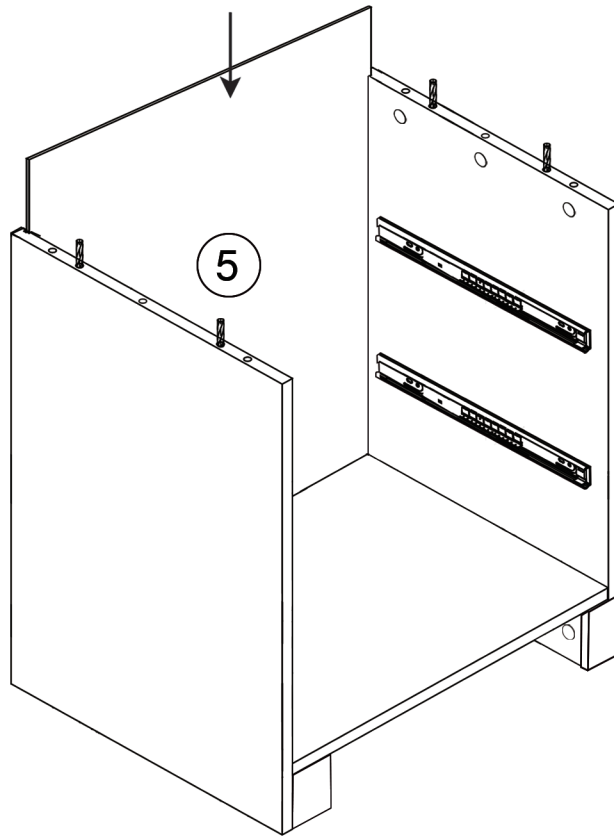
## STEP 6



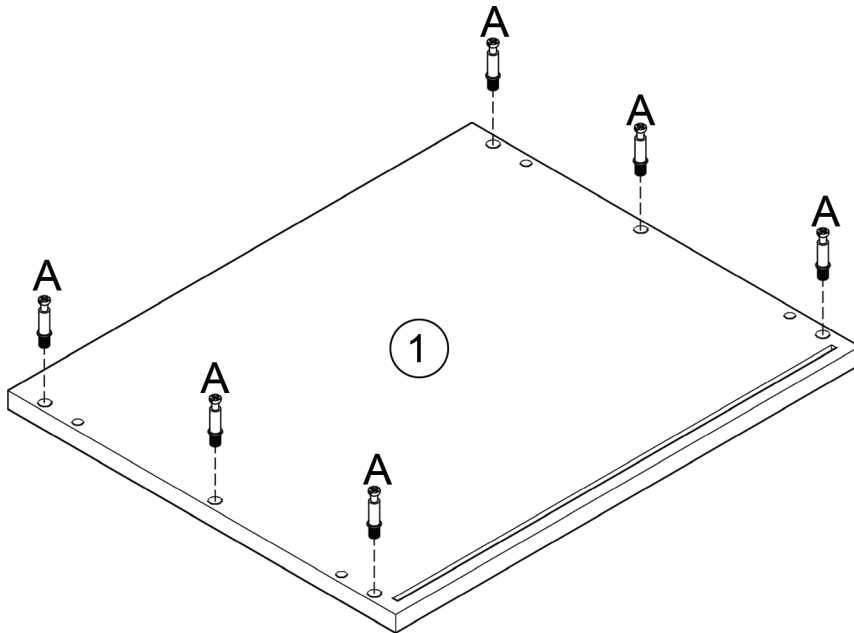
No. F  
Quantity: 4Pcs  
Sticker



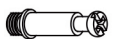
## STEP 7



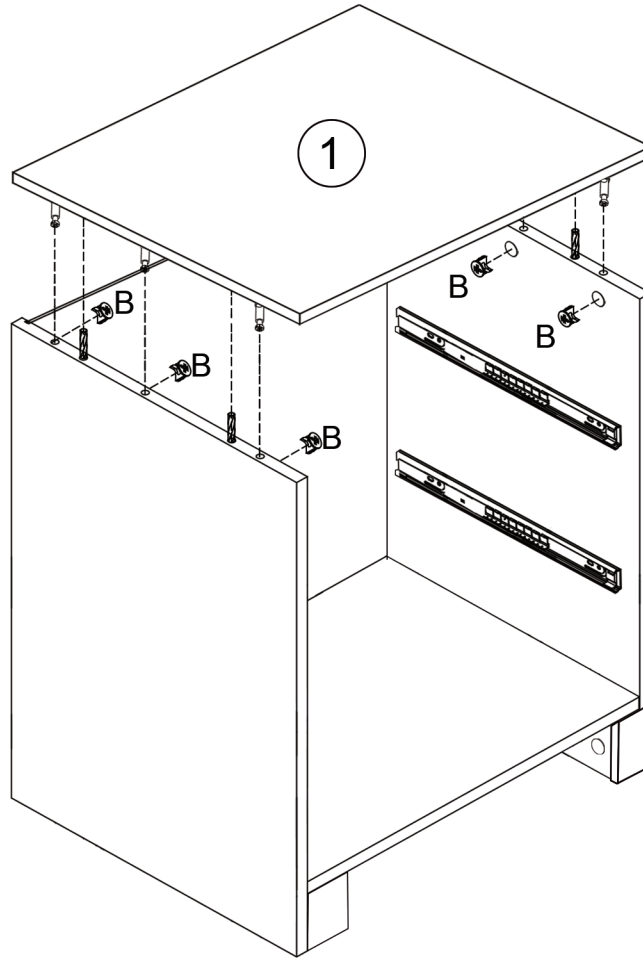
## STEP 8



No. A  
Quantity: 6Pcs  
Cam Bolt



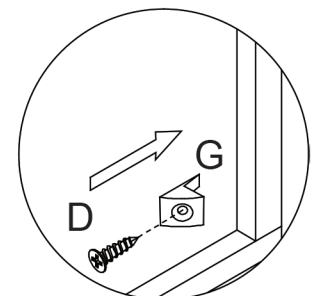
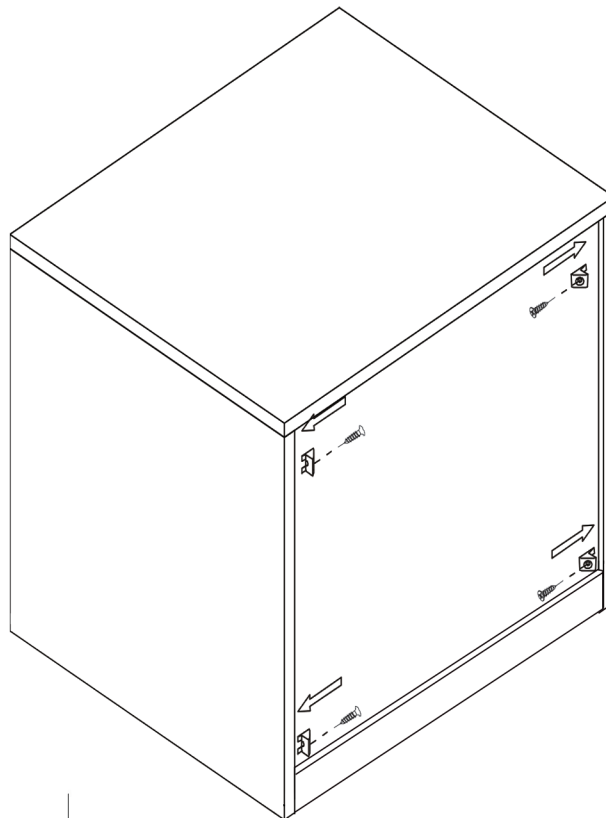
## STEP 9



No. B  
Quantity: 6Pcs  
Cam Nut



## STEP 10



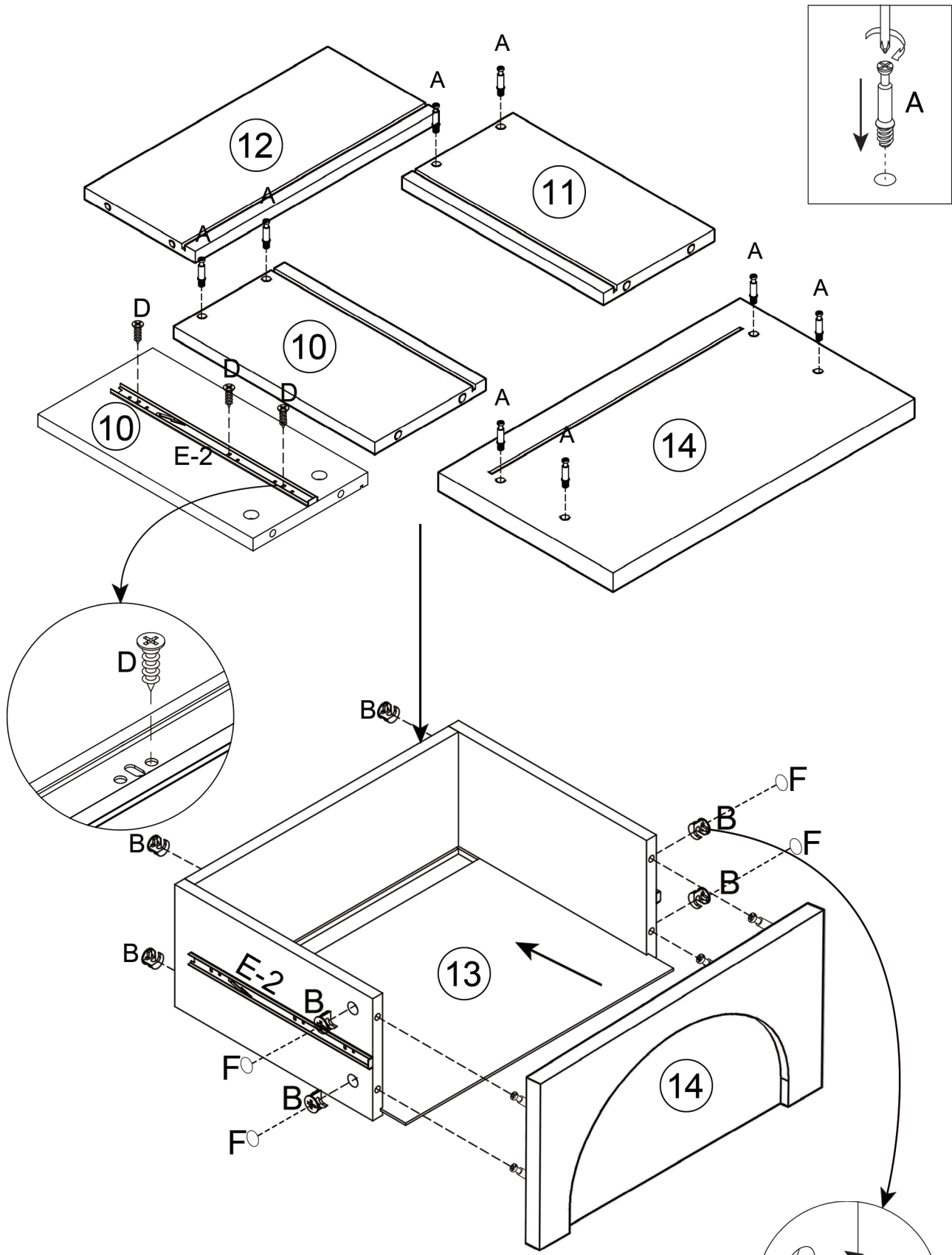
No. D  
Quantity: 4Pcs  
Screw 4\*16mm



No. G  
Quantity: 4Pcs  
Buckle



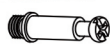
# STEP 11



No. E-2  
Quantity: 2Pcs  
Guide



No. A  
Quantity: 8Pcs  
Cam Bolt



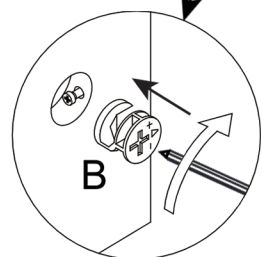
No. D  
Quantity: 6Pcs  
Screw 4\*16mm



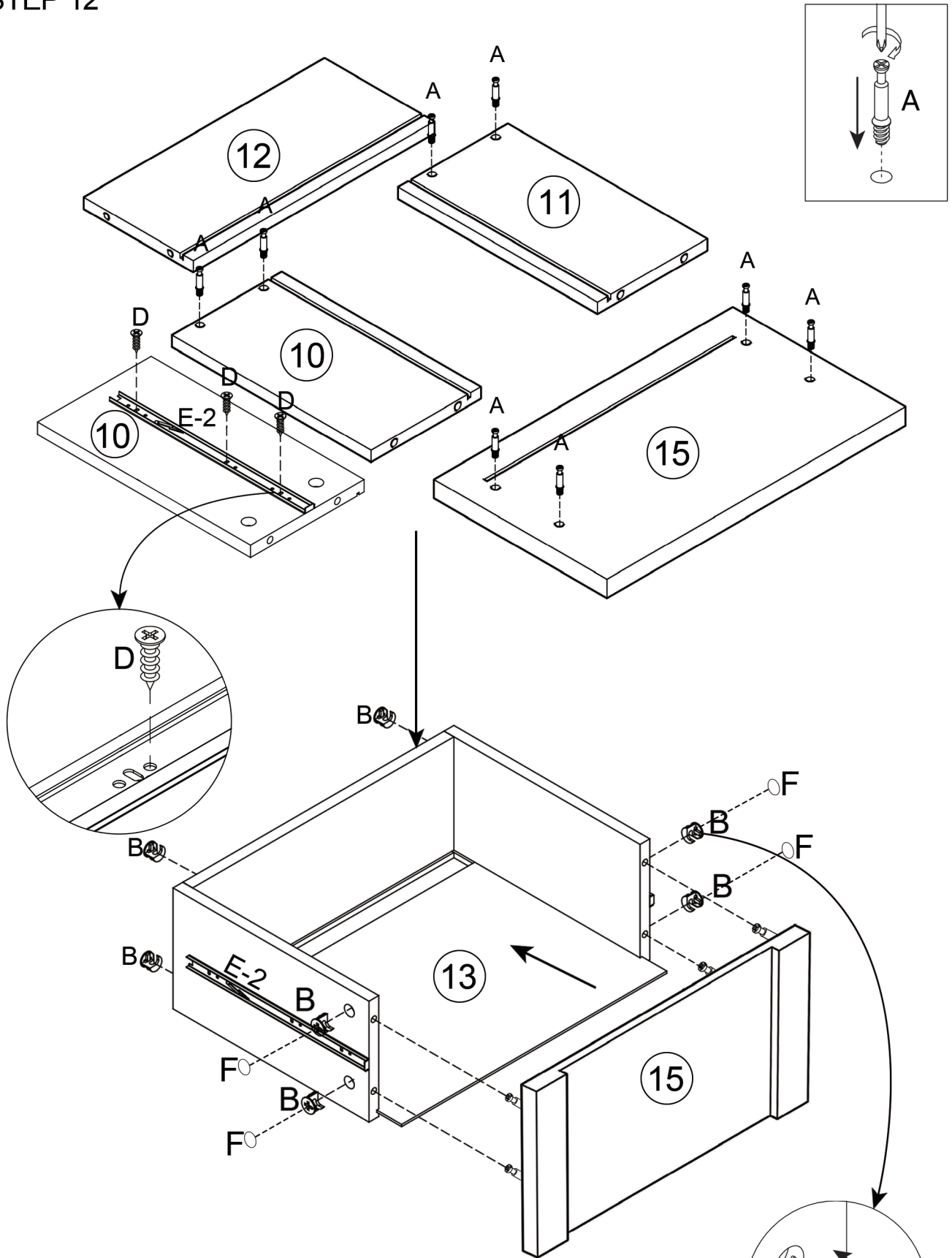
No. B  
Quantity: 8Pcs  
Cam Nut



No. F  
Quantity: 4Pcs  
Sticker



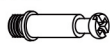
# STEP 12



No. E-2  
Quantity: 2Pcs  
Guide



No. A  
Quantity: 8Pcs  
Cam Bolt



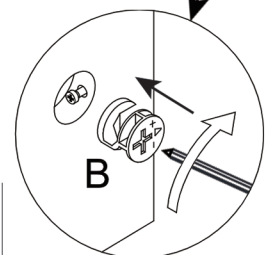
No. D  
Quantity: 6Pcs  
Screw 4\*16mm



No. B  
Quantity: 8Pcs  
Cam Nut

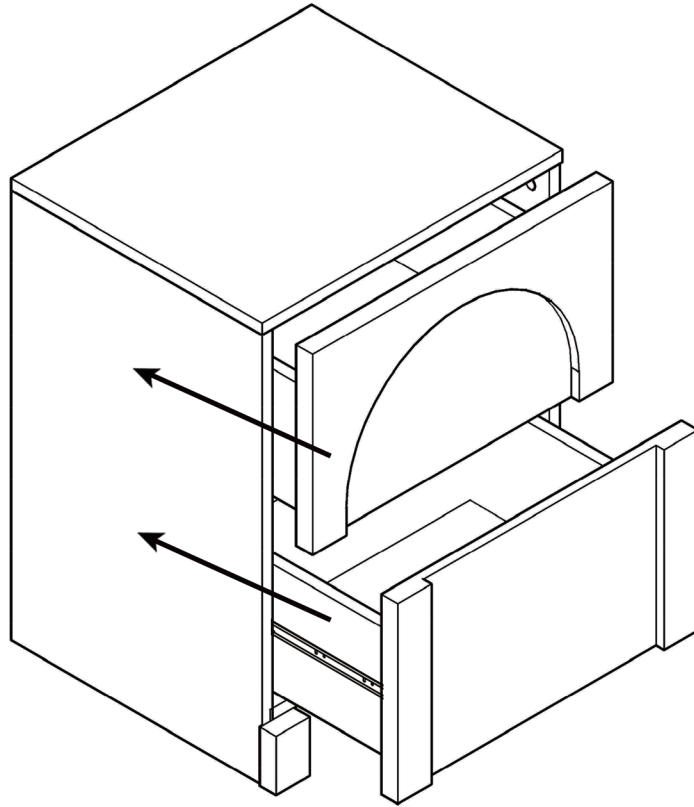


No. F  
Quantity: 4Pcs  
Sticker

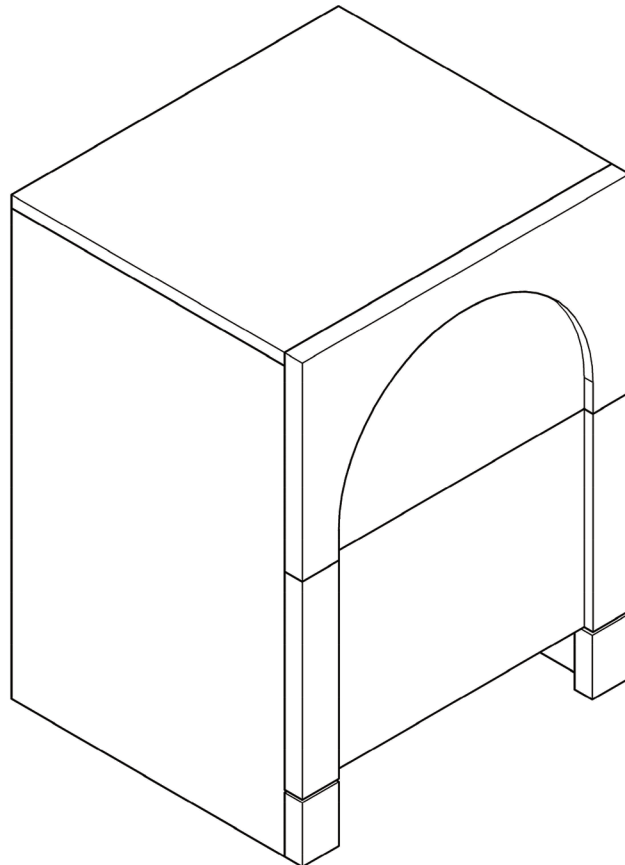




STEP 13



STEP 14



lifely.com.au

Great job. You're done!

Don't forget to share how it looks in  
your space and tag us on Instagram.  
[@lifelyhome](#)[#homewithlifely!](#)