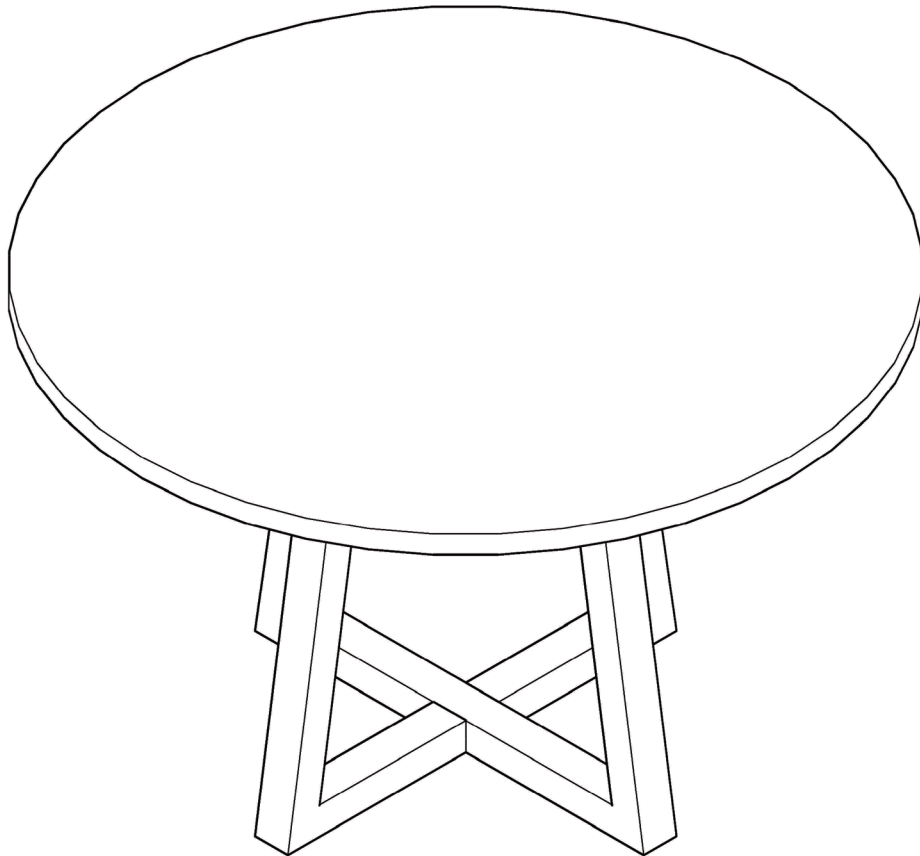


Assembly Instructions

HARIS SERIES



Lifely*

Product Code
HRS-DT120-BLK HRS-DT120-NAL
Haris 4 Seater Round Dining Table

Dimensions (W x D x H)
1200x1200x750mm

Important

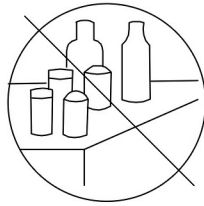
Please read through instruction carefully
Before assembly and keep for future reference.

For our full catalogue of assembly instructions,
Visit: lifely.com.au/assembly.

Important Tips and Maintenance



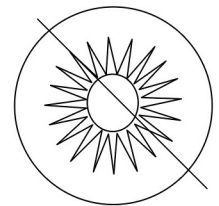
1. Keep children and animals away from working area as smaller parts may cause choking if swallowed.



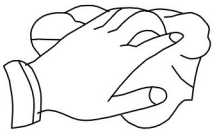
2. Never place liquids or anything damp upon furniture as it will mark. Ensure a coaster or running is beneath.



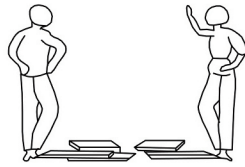
3. Never use ammonia based cleaning products as it will damage the finish.



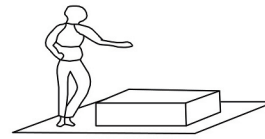
4. To avoid fading, keep furniture out of direct sunlight.



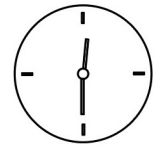
5. Use a soft or damp cloth(dry cloth)when wiping or cleaning surfaces.



6. Two person are required.



7. Lay a soft matt down to protect the furniture piece before and during assembly.



8. SET-UP TIME: 25MINUTE

So your relationship is strong. But is it flat-pack furniture strong? Unless you're an aerospace engineer, assembling furniture can be slightly stressful. We recommend meditating quietly, pouring yourself a herbal tea (or slightly less herbal wine) and tackling things one step at a time. If you feel a passive aggressive remark coming on, try a compliment instead. E.g. "You're so good looking".

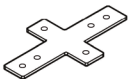
This 5-Step assembly should take around 25 minutes with an Allen Key-or 20 minutes with an electric drill. Godspeed.

Designed for everyday

Component Hardware

Please check you have all the fittings
part or tools are listed in below.

No. A
Quantity: 1Pc
Iron Sheets



No. B
Quantity: 4Pcs
Screw \varnothing 6*15mm



No. C
Quantity: 1Pc
Screw \varnothing 6*30mm



No. D
Quantity: 4Pcs
Screw \varnothing 6*50mm



No. E
Quantity: 1Pc
Allen Key



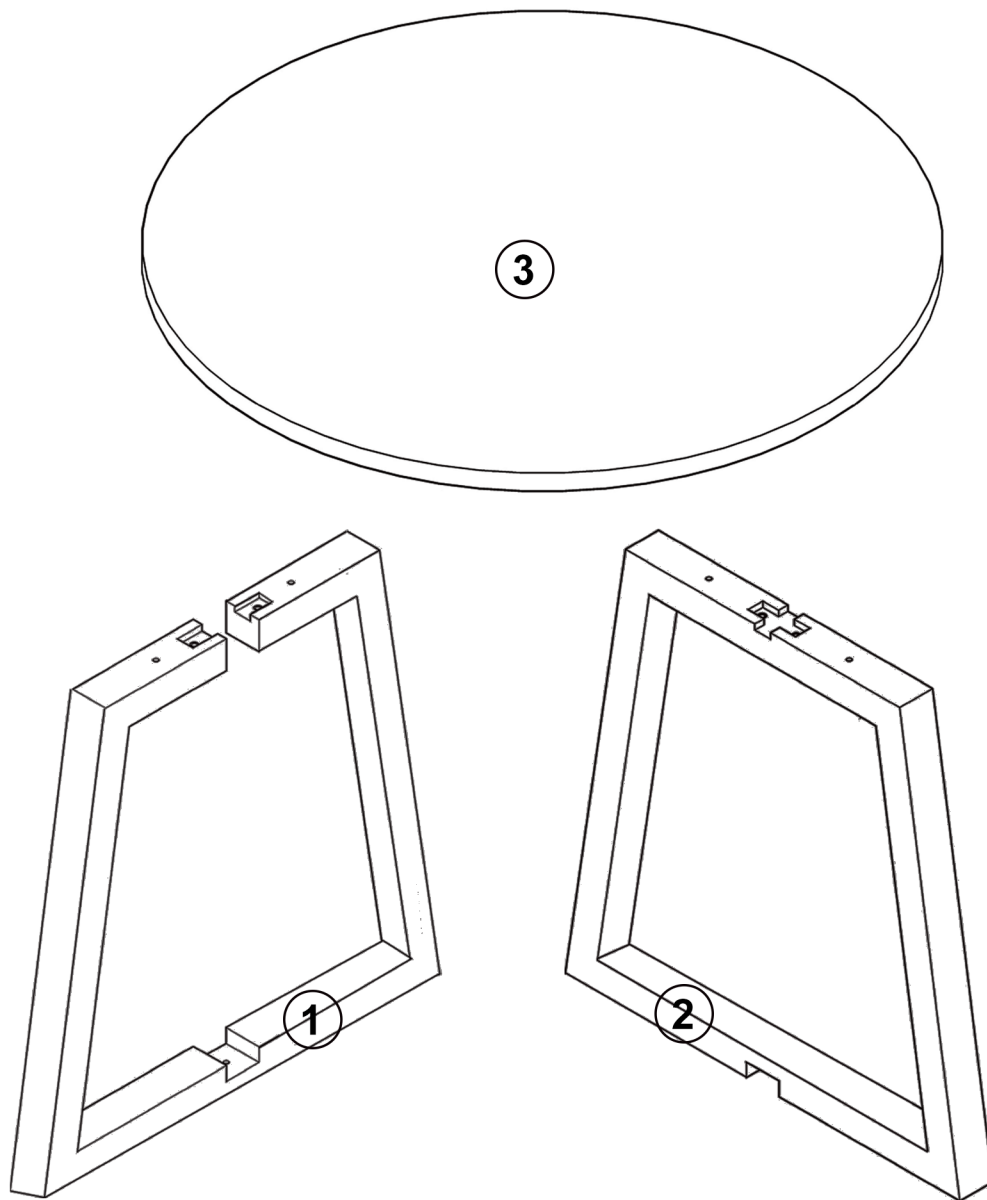
No. F
Quantity: 4Pcs
Pad Screw 6*20mm



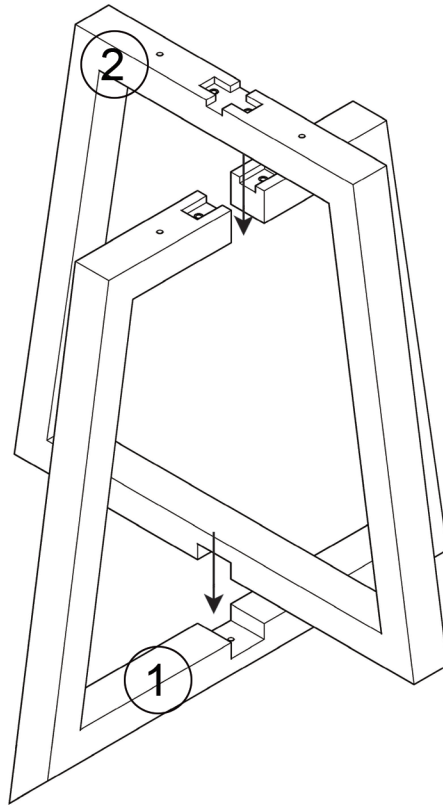
Component Panels & part List

Please check you have all the panels
are listed below.

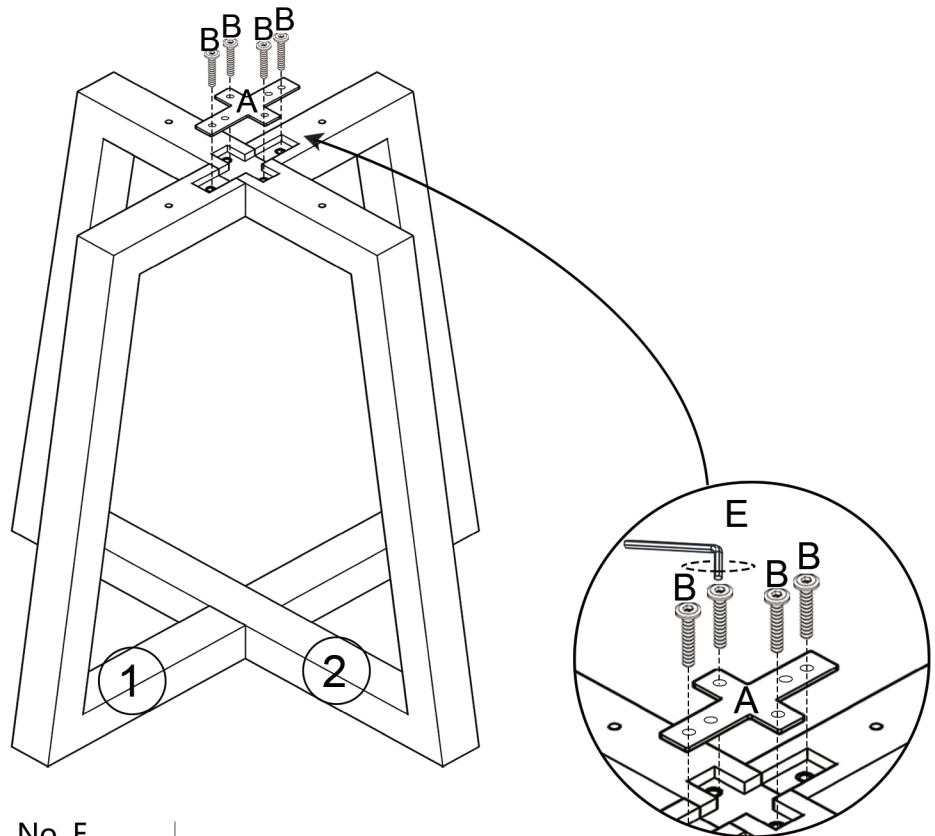
- 1. SUPPORT LEG A ----- x1 Carton 1/2
- 2. SUPPORT LEG B ----- x1 Carton 1/2
- 3. DESKTOP BOARD ----- x1 Carton 2/2



STEP 1



STEP 2



No. A
Quantity: 1Pc
Iron Sheets



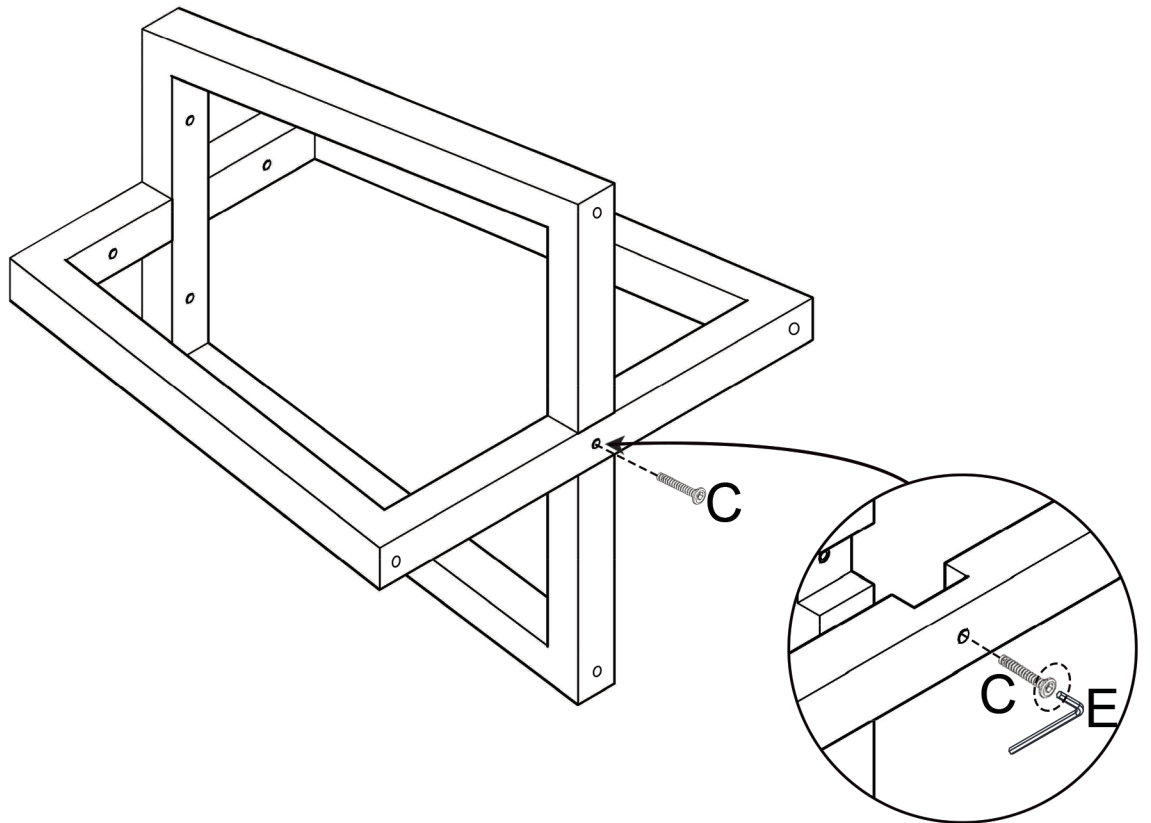
No. B
Quantity: 4Pcs
Screw $\varnothing 6 \times 15\text{mm}$



No. E
Quantity: 1Pc
Allen Key



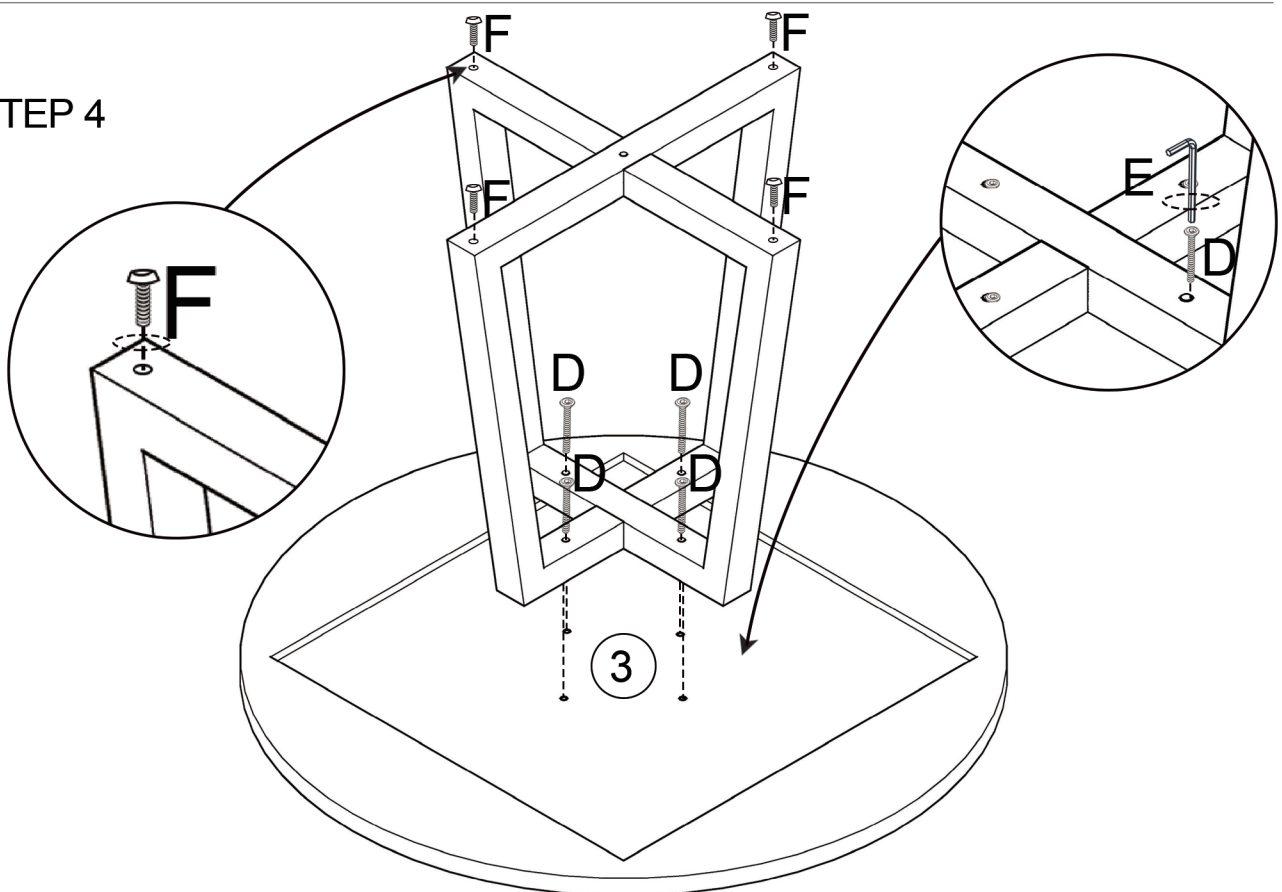
STEP 3



No. C
Quantity: 1Pc
Screw $\varnothing 6 \times 30\text{mm}$



STEP 4



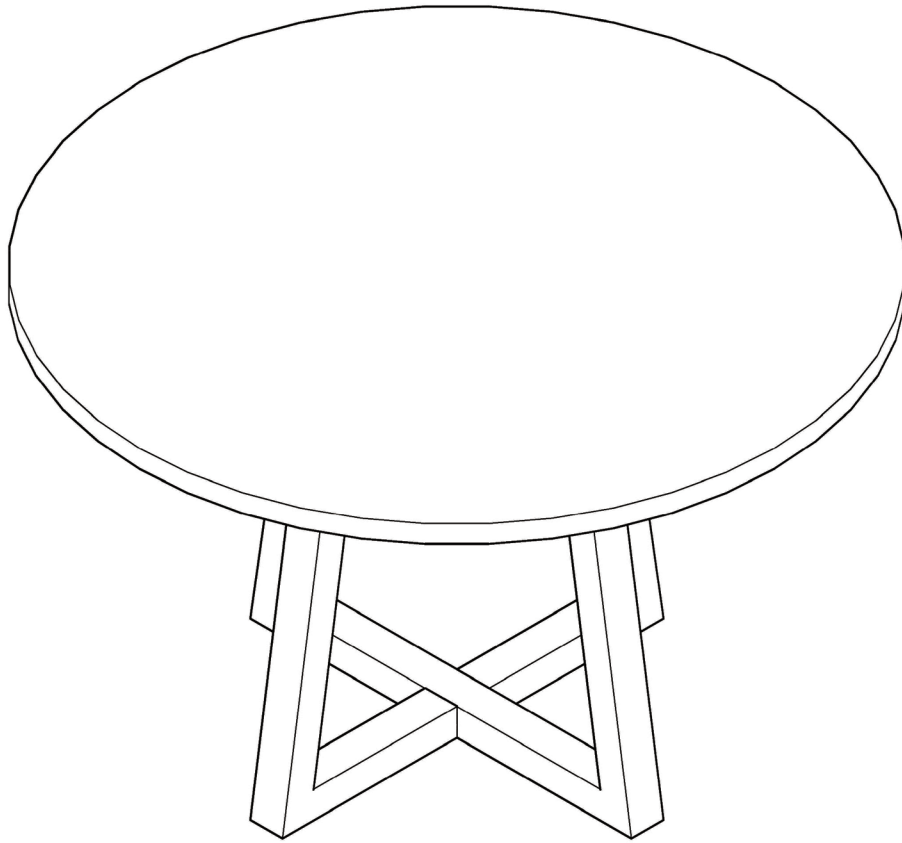
No. D
Quantity: 4Pcs
Screw $\varnothing 6 \times 50\text{mm}$



No. F
Quantity: 4Pcs
Pad Screw $6 \times 20\text{mm}$



STEP 5



lifely.com.au

Great job. You're done!

Don't forget to share how it looks in
your space and tag us on Instagram.

@lifelyhome#homewithlifely!