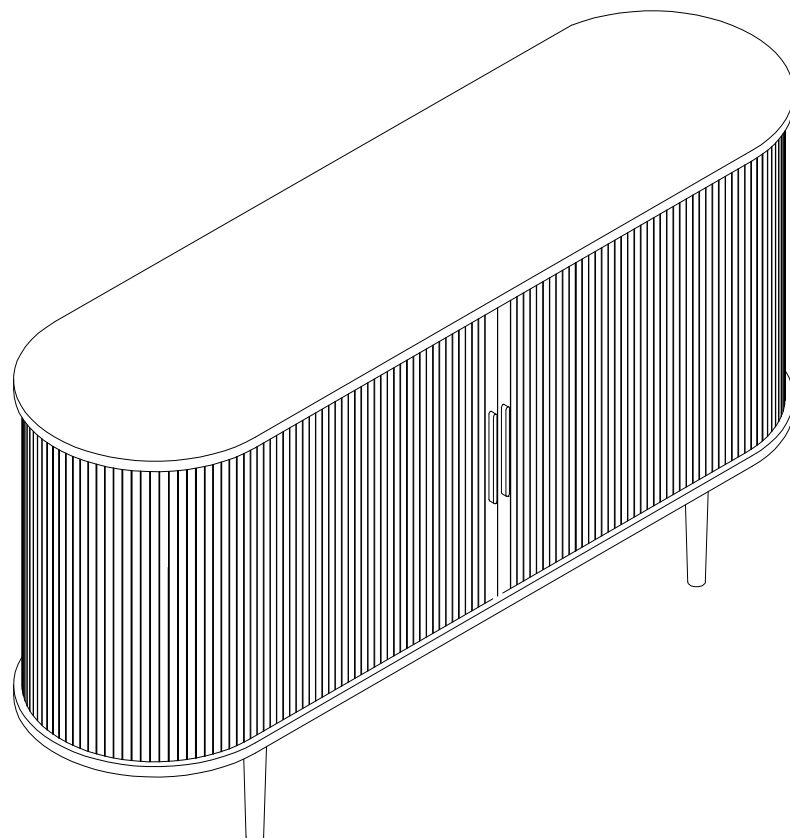


# Assembly Instructions

## Tate Series



# Lifely\*

### Product Code

TATE-SB160-NATURAL SIDEBOARD

TATE-SB160-BLACK SIDEBOARD

Dimensions(W x D x H)

1600\*400\*730mm

---

### Important

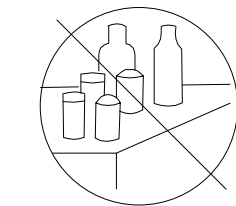
Please read through instruction carefully  
Before assembly and keep for future reference.

For our full catalogue of assembly instructions,  
Visit: [lifely.com.au/assembly](http://lifely.com.au/assembly).

## Important Tips and Maintenance



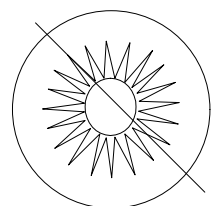
1. Keep children and animals away from working area as smaller parts may cause choking if swallowed.



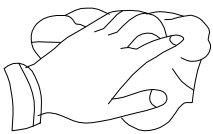
2. Never place liquids or anything damp upon furniture as it will mark. Ensure a coaster or running is beneath.



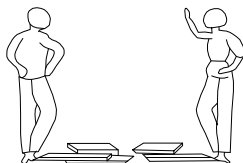
3. Never use ammonia based cleaning products as it will damage the finish.



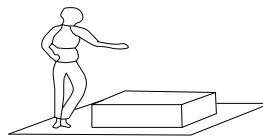
4. To avoid fading, keep furniture out of direct sunlight.



5. Use a soft or damp cloth (dry cloth) when wiping or cleaning surfaces.



6. Two person are required.



7. Lay a soft matt down to protect the furniture piece before and during assembly.

So your relationship is strong. But is it flat-pack furniture strong? Unless you're an aerospace engineer, assembling furniture can be slightly stressful. We recommend meditating quietly, pouring yourself a herbal tea (or slightly less herbal wine) and tackling things one step at a time. If you feel a passive aggressive remark coming on, try a compliment instead. E.g. "You're so good looking"

This 14-step assembly should take around 1.5 hour with an Allen Key - or 60 minutes with an electric drill. Godspeed.

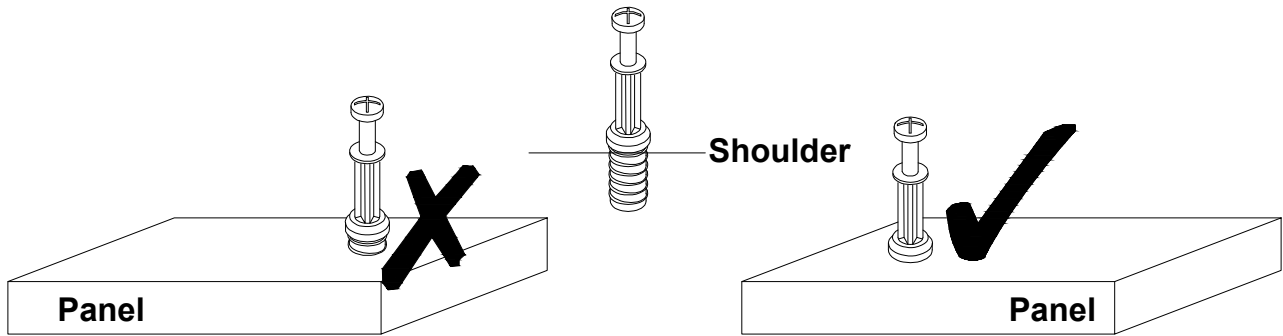
Designed for everyday

# Before Assembly

## Tips Before Your Start:

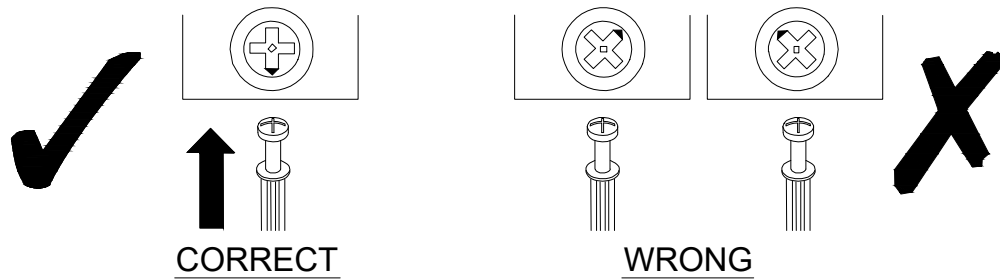
- Remove all wrapping material, including staples & packing straps before you start to assemble.
- DO NOT tighten all screws and bolts until completely assembled.
- Keep all hardware parts out of reach of children.

## QUICKFIT



Tighten quickfit until shoulder is flush with panel. Do not overtighten or undertighten.

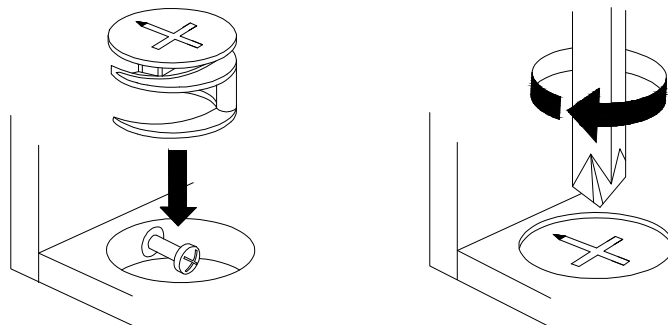
## CAM LOCK



When fitting cam lock, ensure starting position is correct before you insert connecting quickfit.

Quickfit head should be in the centre of the cam lock when the two panels are joined.

Cam lock should be inserted before quickfit.



Turn cam lock clockwise to tighten.

## Component Hardware

Please check you have all the fittings  
part or tools are listed in below.

No. A  
Quantity:10Pcs

Cam Lock Dowel  
8\*28mm



No. B

Quantity:2Pcs

Full Thread Screw  
M6\*35mm



No. C

Quantity:10Pcs

Cam  
φ15



No. D

Quantity:2Pcs

Full Thread Screw  
M6\*55mm



No. E

Quantity:12Pcs

Screw  
M6\*50mm



No. F

Quantity:1Pc

Allen Key  
4#



No. G

Quantity:6Pcs

Assembly Assistor



No. H

Quantity:3Pcs

Dowel  
8\*30mm



No. I

Quantity:2Pcs

Screw  
M6\*35mm



No. J

Quantity:4Pcs

Screw  
M8\*35mm



No. K

Quantity:4Pcs

Foot Plate  
70\*70mm



No. L

Quantity:16Pcs

Screw  
4\*16mm



No. M

Quantity:4Pcs

Foot Pad  
φ20



No. N

Quantity:2Pcs

Handle  
200\*20mm



No. O

Quantity:4Pcs

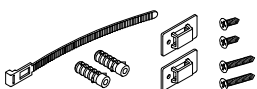
Screw  
4\*14



No. P

Quantity:1Set

Anti-falling Parts



No. Q

Quantity:10Pcs

Sticker  
φ20



No. R

Quantity:1Pc

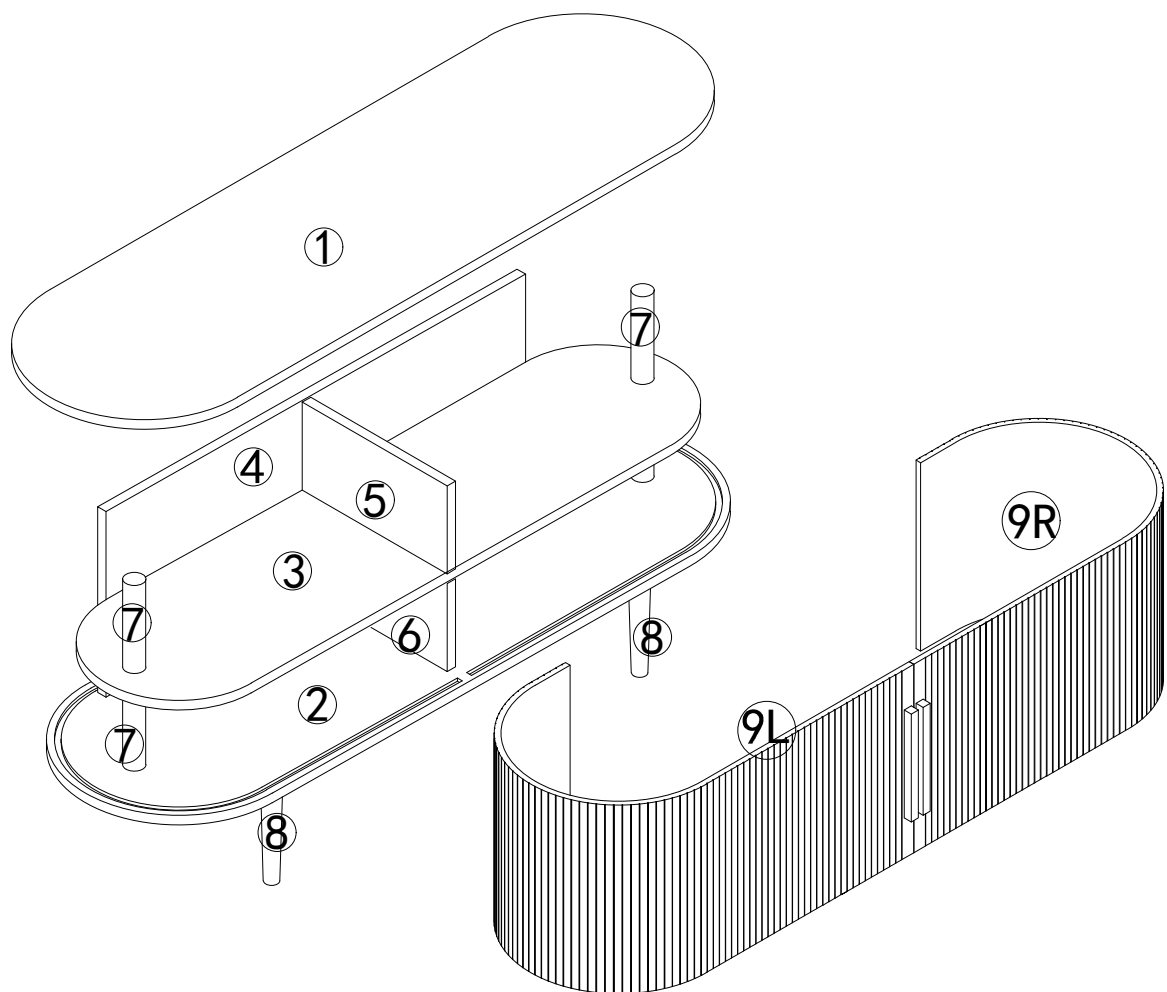
Allen Key  
5#



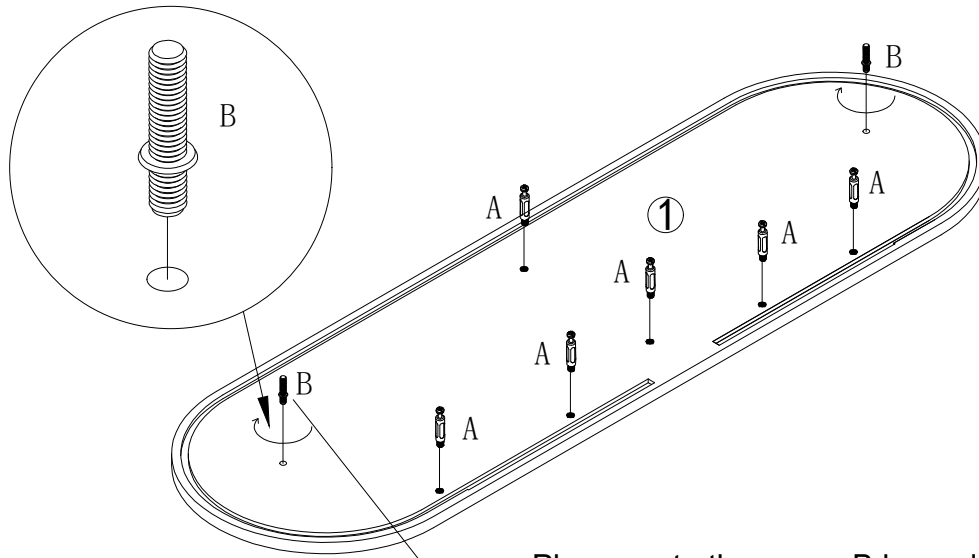
## Component Panels & part List

Please check you have all the panels are listed below.

1. Top Panel ————— x1 CTN 2/2
2. Bottom Panel ————— x1 CTN 2/2
3. Shelf ————— x1 CTN 2/2
4. Back Panel ————— x1 CTN 1/2
5. Division Panel\_up ——— x1 CTN 1/2
6. Division Panel\_down ——— x1 CTN 1/2
7. Supporting Pillar ————— x4 CTN 1/2
8. Leg ————— x4 CTN 1/2
- 9L. Tambor Door\_left ——— x1 CTN 1/2
- 9R. Tambor Door\_right ——— x1 CTN 1/2



## STEP 1



Please note the screw B have different thread length at both side, ensure the shorter thread side towards down as drawing shows.

### No. A

Quantity:6 Pcs

Cam Lock Dowel  
8\*28 mm



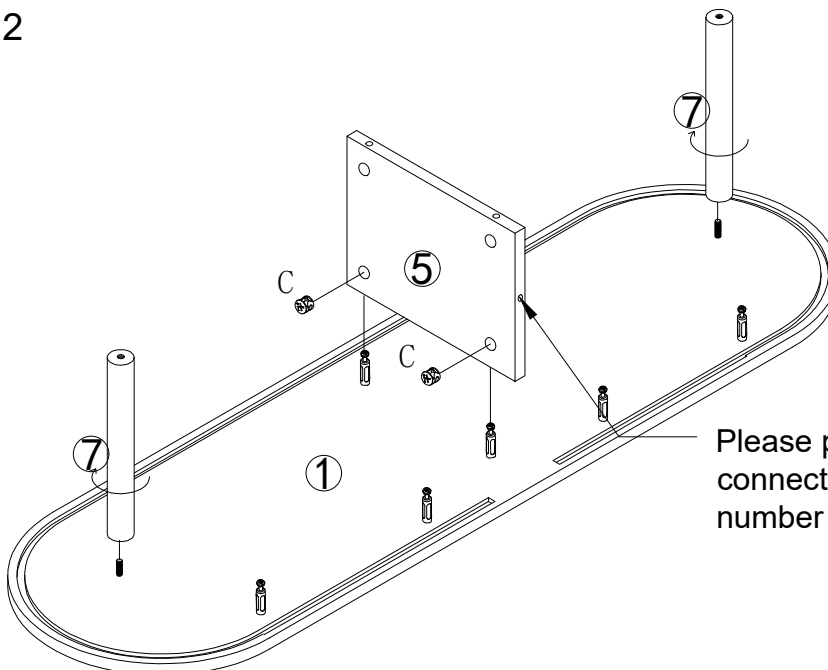
### No. B

Quantity:2 Pcs

Full Thread Screw  
M6\*35 mm



## STEP 2



Please pay attention to this hole to connect with the back panel number "4".

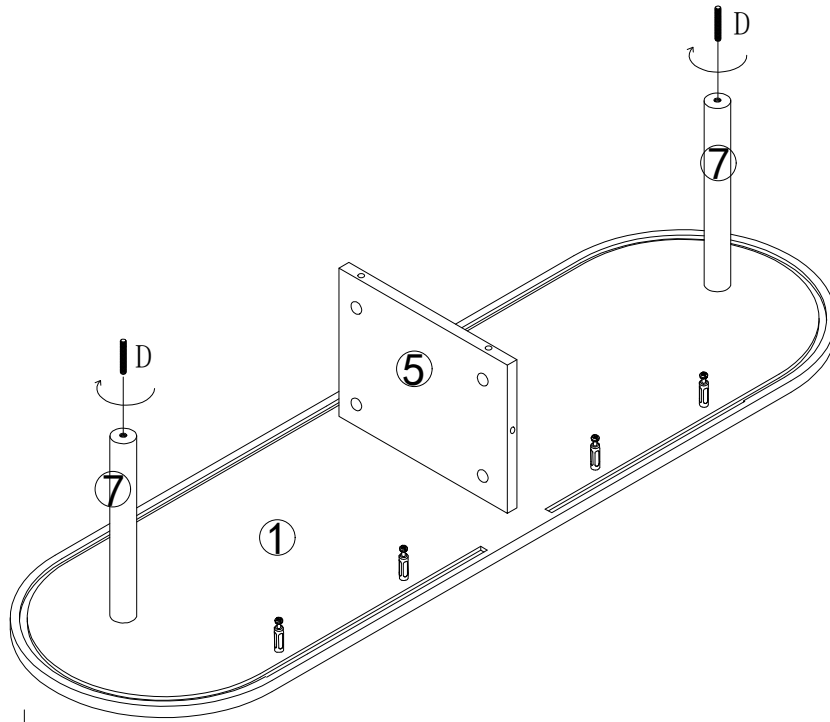
### No. C

Quantity:2 PcS

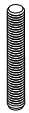
Cam



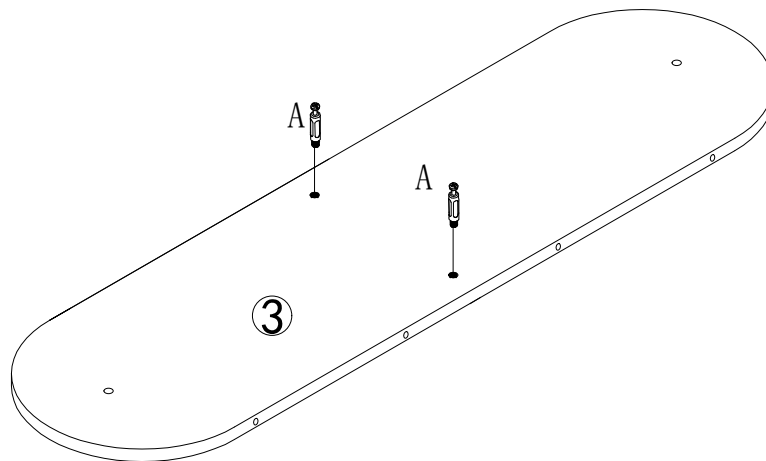
### STEP 3



No. D  
Quantity: 2 Pcs  
Full Thread Screw  
M6\*55 mm



### STEP 4

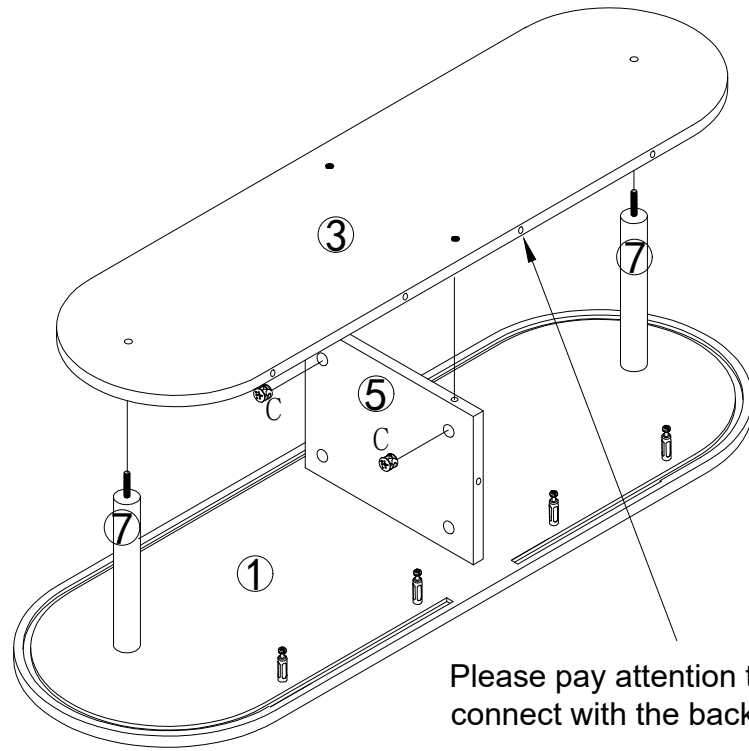


No. A  
Quantity: 2 Pcs  
Cam Lock Dowel  
8\*28 mm





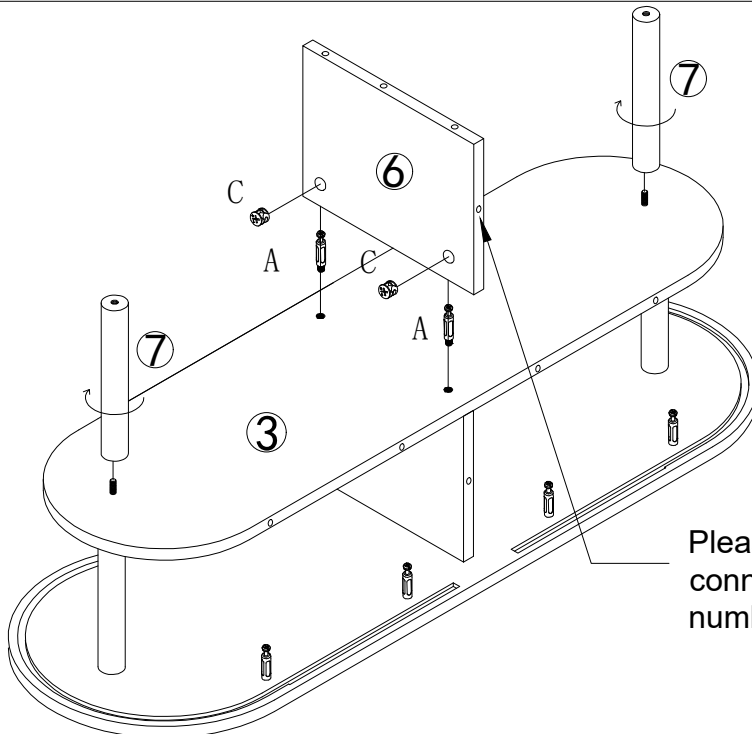
## STEP 5



No. C  
Quantity:2 Pcs  
Cam



## STEP 6



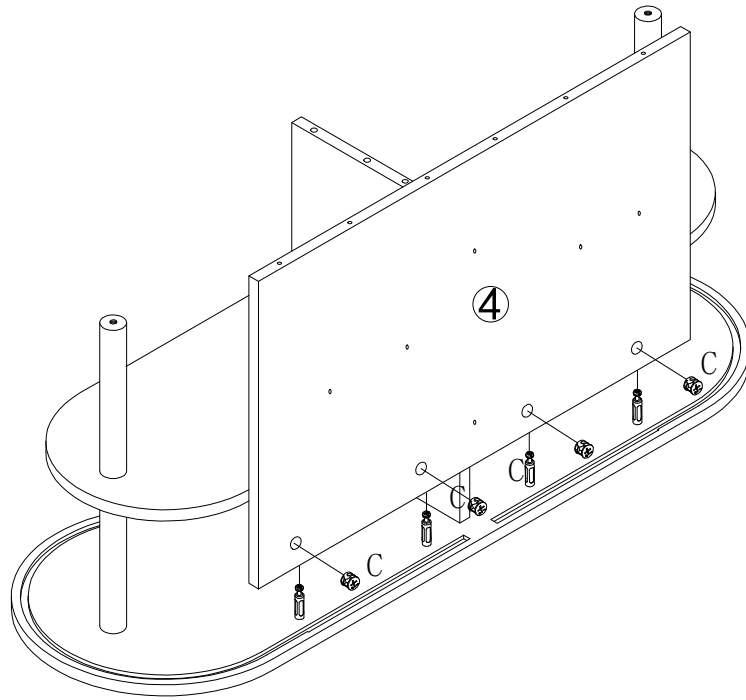
No. A  
Quantity:2 Pcs  
Cam Lock Dowel  
8\*28 mm



No. C  
Quantity:2 PcS  
Cam



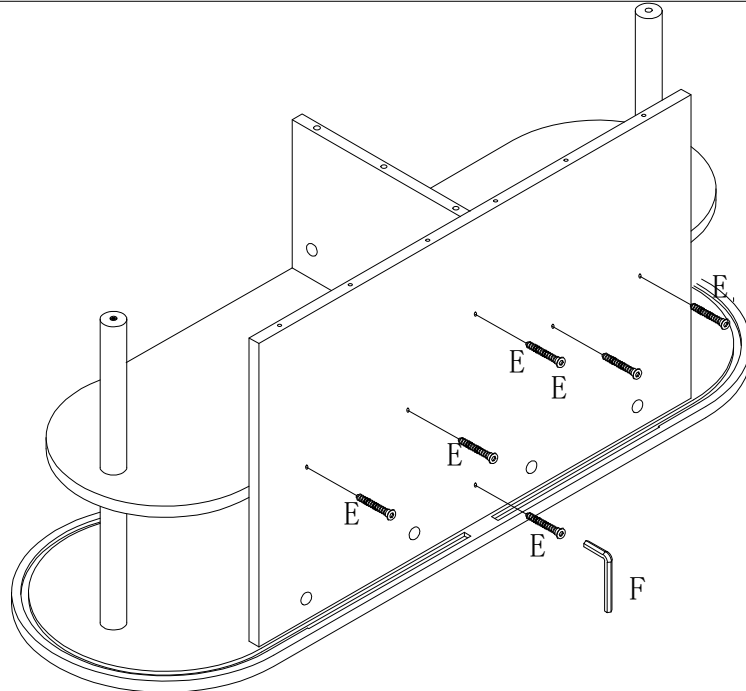
## STEP 7



No. C  
Quantity:4 Pcs  
Cam



## STEP 8



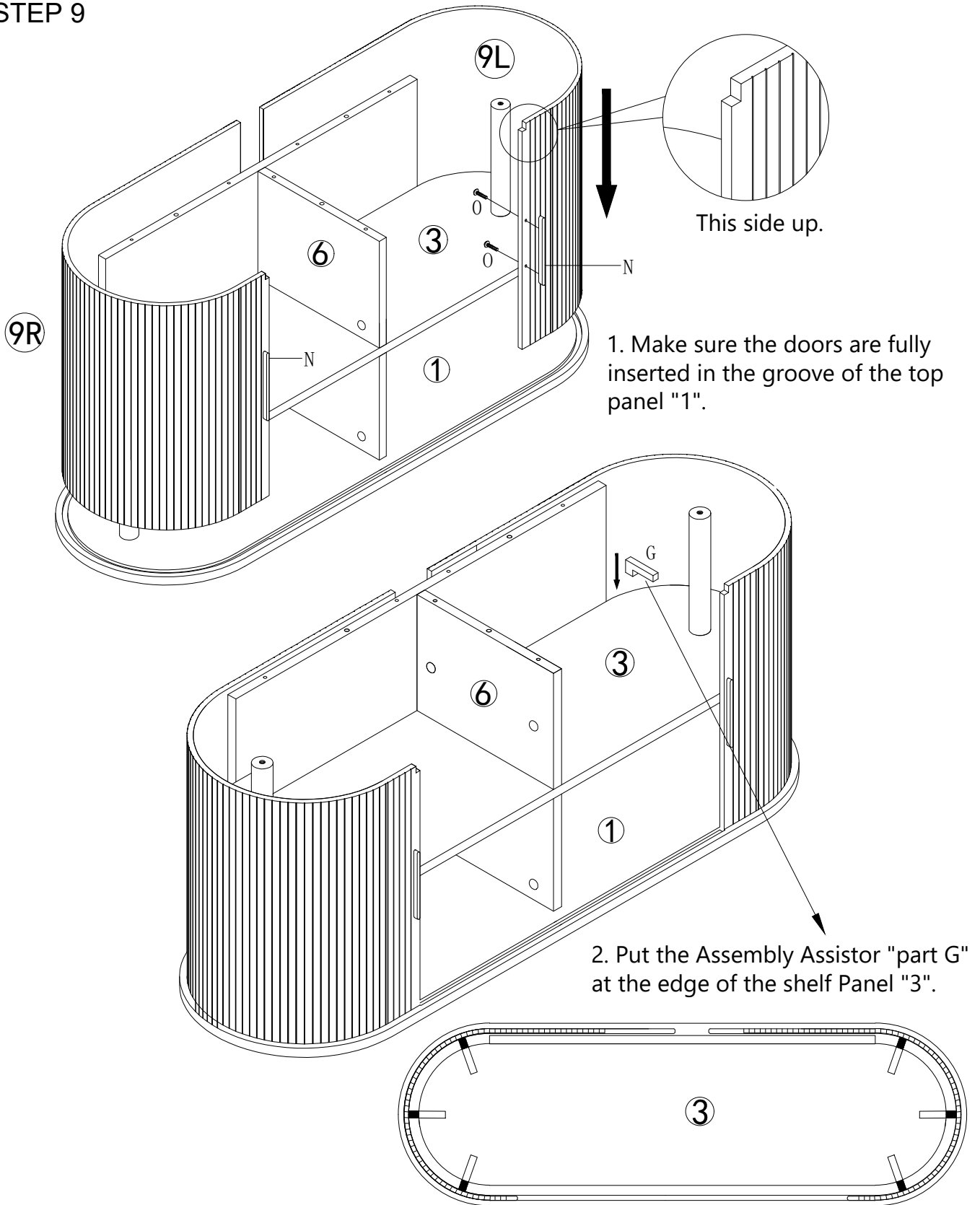
No. E  
Quantity:6 Pcs  
Screw  
M6\*50mm



No. F  
Quantity:1 Pc  
Allen Key  
4#



STEP 9



**No. G**  
Quantity:6 Pcs  
Assembly Assistor



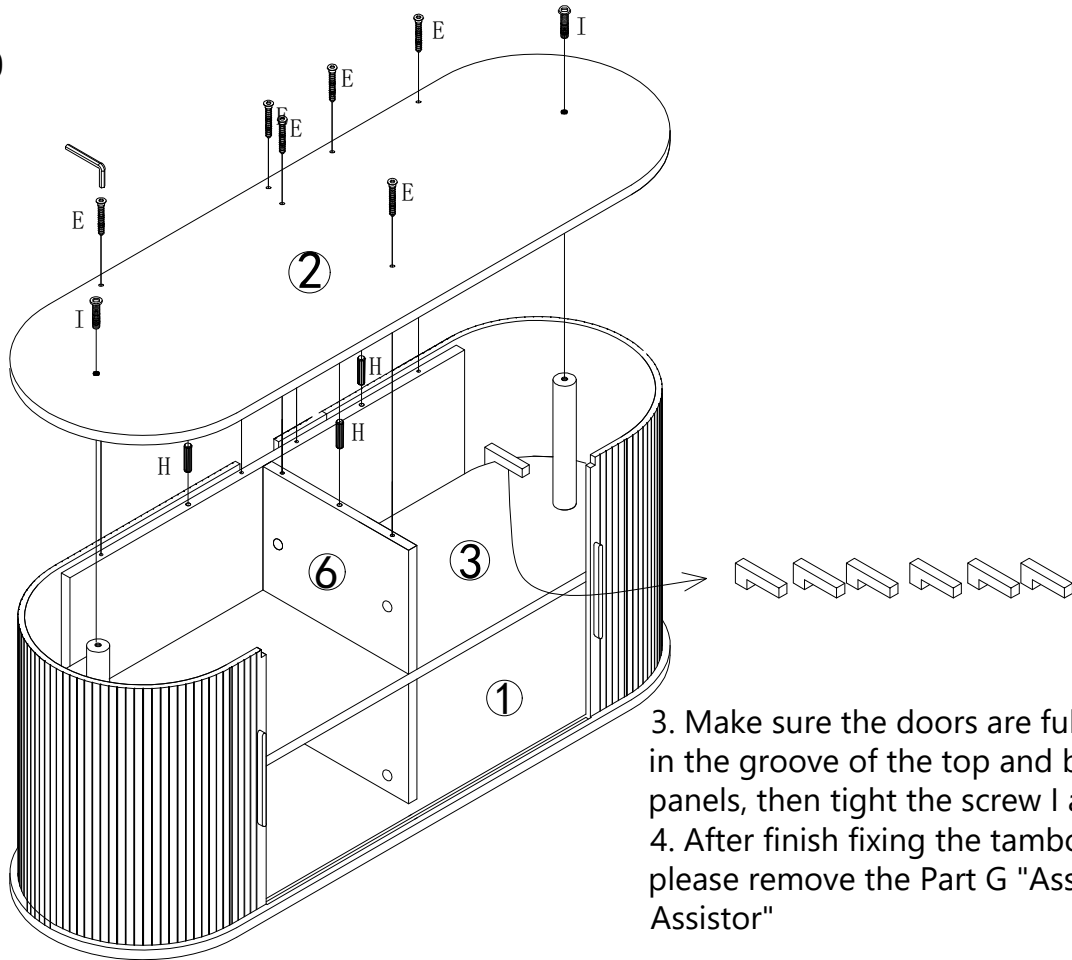
**No. N**  
Quantity:2 Pcs  
Handle  
200\*20 mm



**No. O**  
Quantity:4 Pcs  
Screw  
4\*14 mm



## STEP 10



3. Make sure the doors are fully inserted in the groove of the top and bottom panels, then tight the screw I and E.  
4. After finish fixing the tambor doors, please remove the Part G "Assembly Assistor"

**No. E**  
Quantity:6 Pcs  
Screw  
M6\*50mm



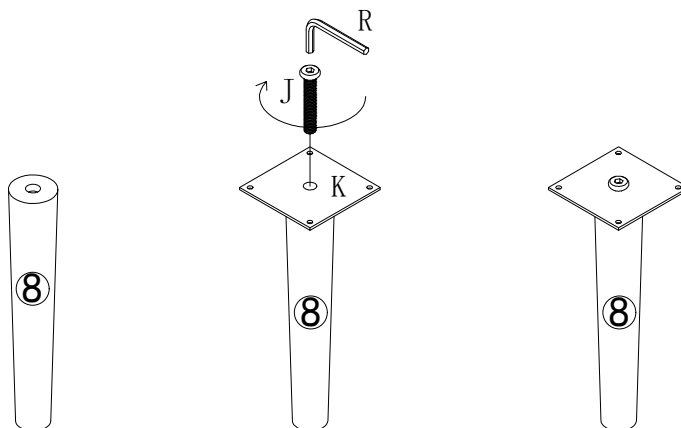
**No. H**  
Quantity:3 Pcs  
Dowel  
8\*30mm



**No. I**  
Quantity:2 Pcs  
Screw  
M6\*35mm



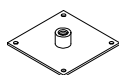
## STEP 11



**No. J**  
Quantity:4 Pcs  
Full Thread Screw  
M8\*35mm



**No. K**  
Quantity:4 Pcs  
Foot Plate

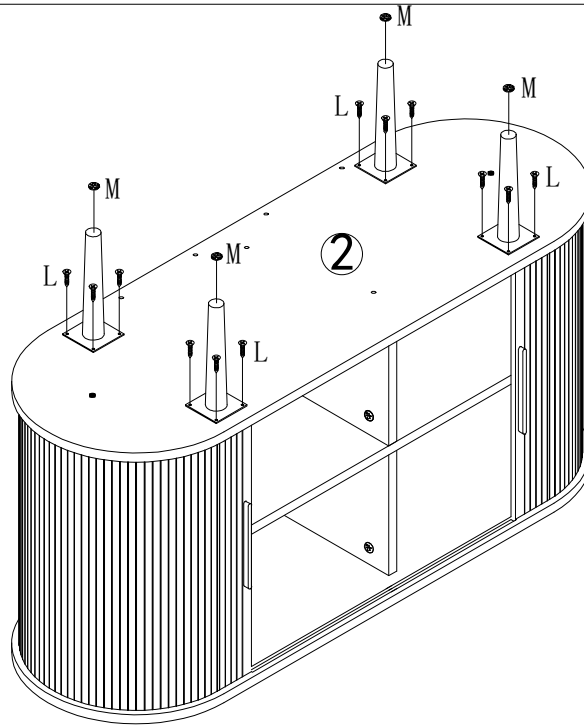


**No. R**  
Quantity:1 Pc  
Allen Key  
5#



**x4**

## STEP 12



No. L

Quantity: 16 Pcs

Screw  
4\*16 mm



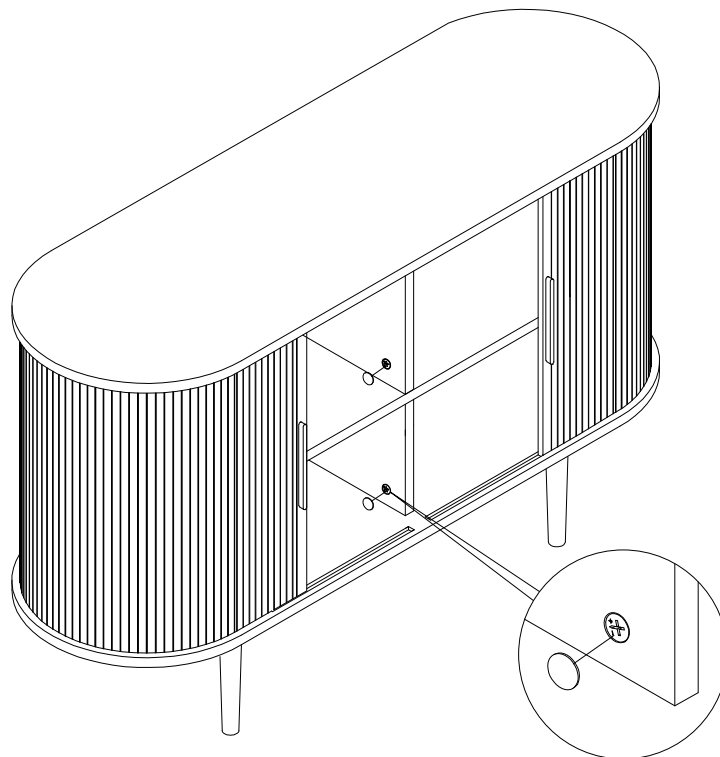
No. M

Quantity: 4 Pcs

Foot Pad  
φ20



## STEP 13



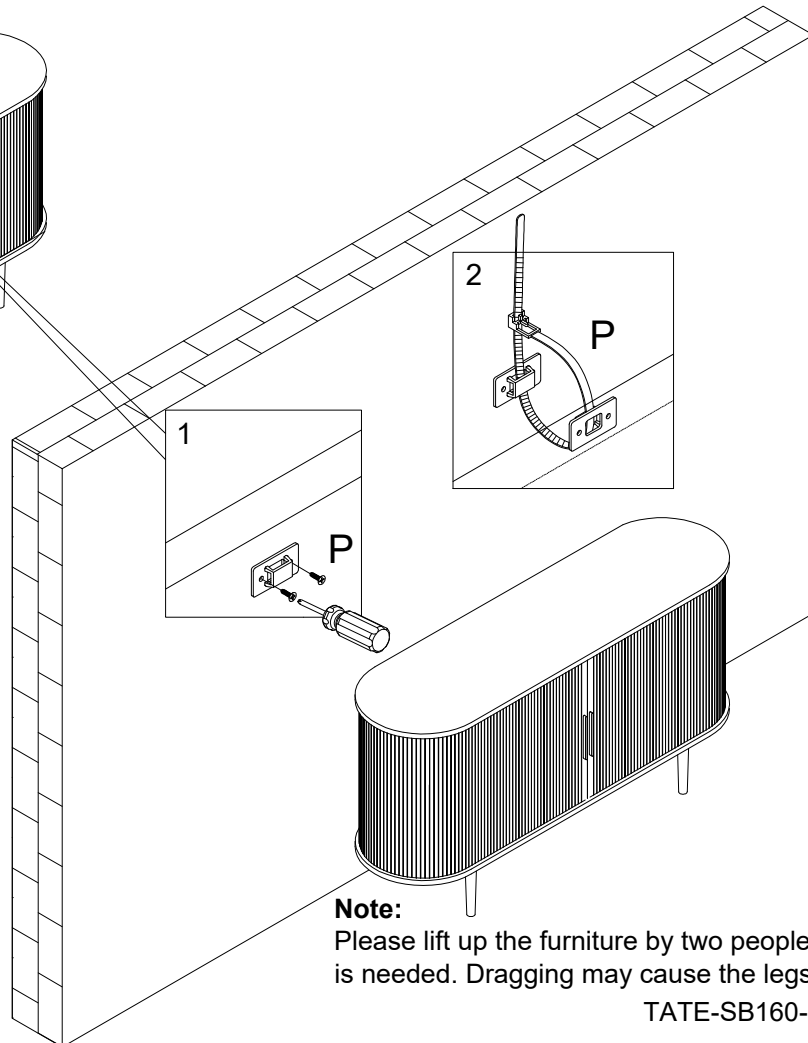
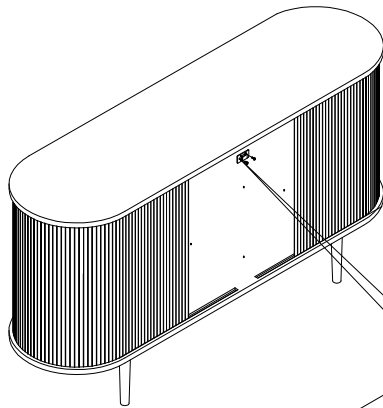
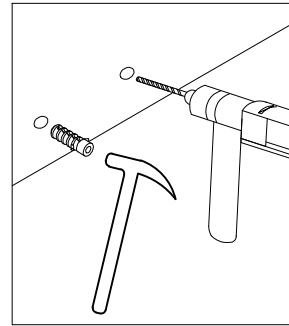
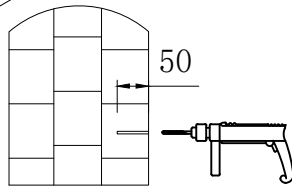
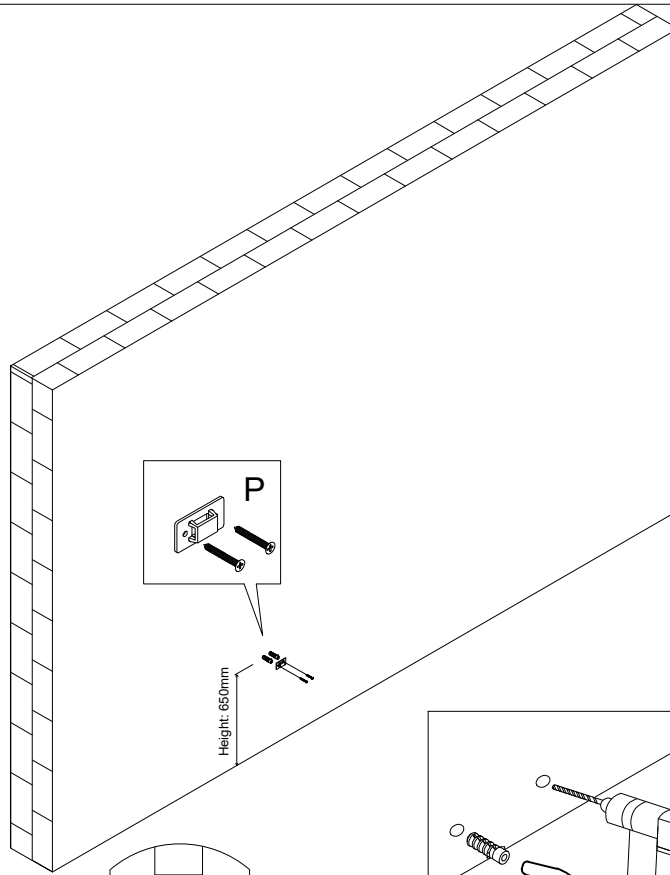
No. Q

Quantity: 10 Pcs

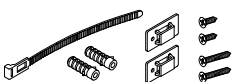
Sticker  
φ20



# STEP 14



No. P  
Quantity: 1 Set  
Anti-falling Parts



**Note:**  
Please lift up the furniture by two people when moving is needed. Dragging may cause the legs failure.

TATE-SB160-NATURAL 14

[lifely.com.au](https://lifely.com.au)

**Great job. You're done!**

Don't forget to share how it looks in  
your space and tag us on Instagram.  
[@lifelyhome](#)[#homewithlifely!](#)