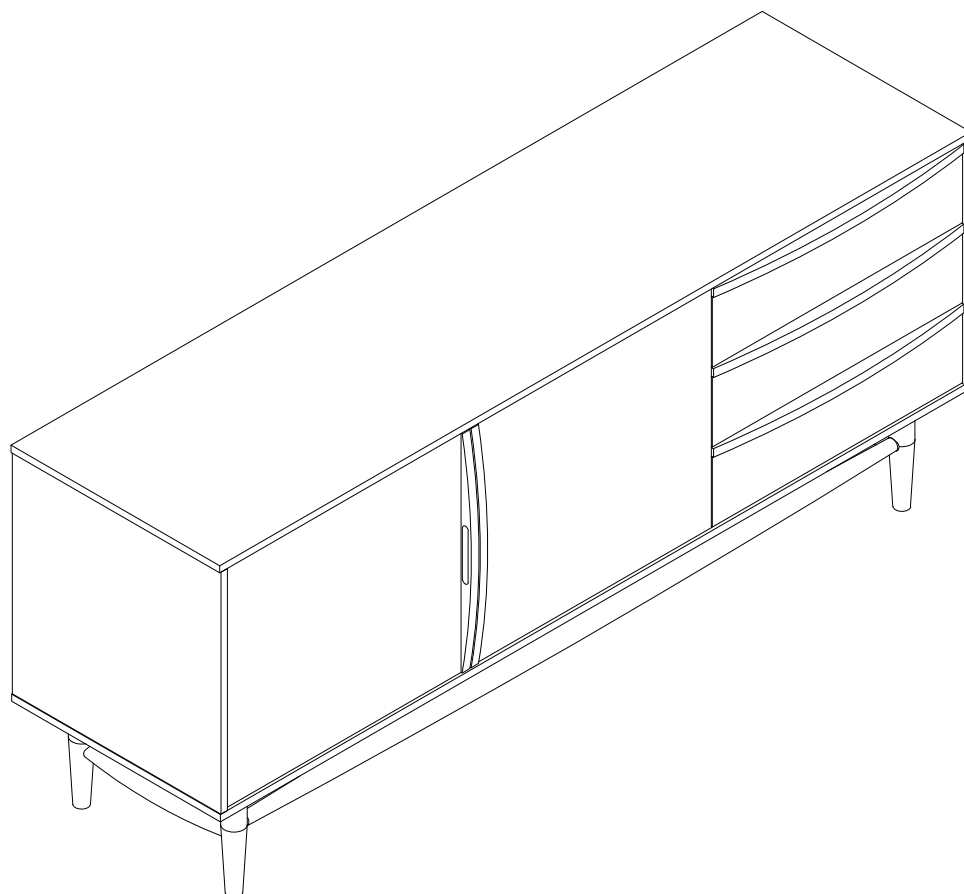


Assembly Instructions

Pam Series



Lifely*

Product Code

PAM-SB-WNT Pam Sideboard

Dimensions(W x D x H)

1800*500*762mm

Important

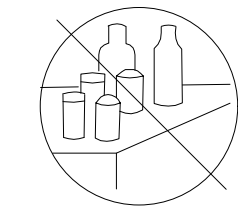
Please read through instruction carefully
Before assembly and keep for future reference.

For our full catalogue of assembly instructions,
Visit: lifely.com.au/assembly.

Important Tips and Maintenance



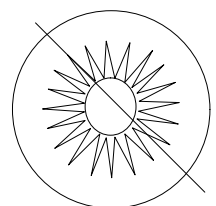
1. Keep children and animals away from working area as smaller parts may cause choking if swallowed.



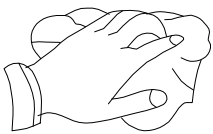
2. Never place liquids or anything damp upon furniture as it will mark. Ensure a coaster or running is beneath.



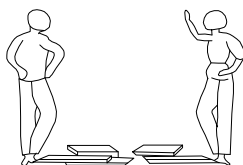
3. Never use ammonia based cleaning products as it will damage the finish.



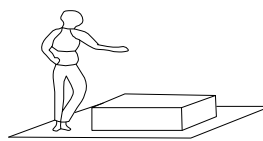
4. To avoid fading, keep furniture out of direct sunlight.



5. Use a soft or damp cloth (dry cloth) when wiping or cleaning surfaces.



6. Two person are required.



7. Lay a soft matt down to protect the furniture piece before and during assembly.

So your relationship is strong. But is it flat-pack furniture strong? Unless you're an aerospace engineer, assembling furniture can be slightly stressful. We recommend meditating quietly, pouring yourself a herbal tea (or slightly less herbal wine) and tackling things one step at a time. If you feel a passive aggressive remark coming on, try a compliment instead. E.g. "You're so good looking"

This 22-step assembly should take around 2 hours with an Allen Key - or 1 hour with an electric drill. Godspeed.

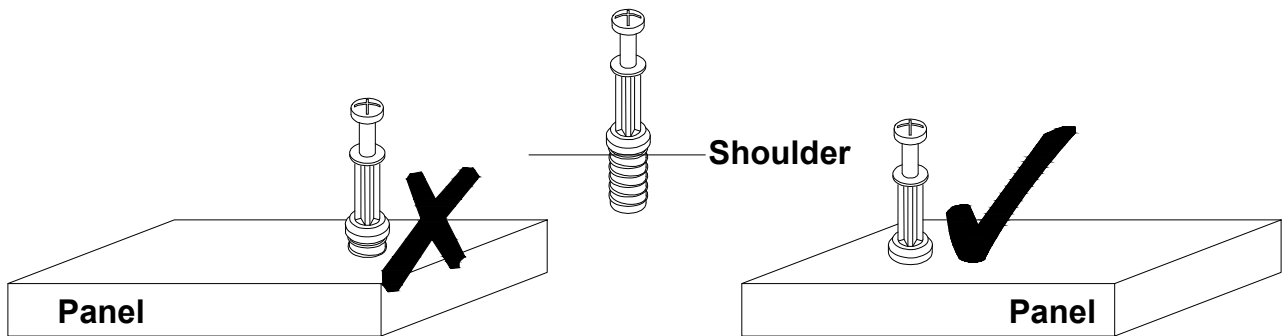
Designed for everyday

Before Assembly

Tips Before Your Start:

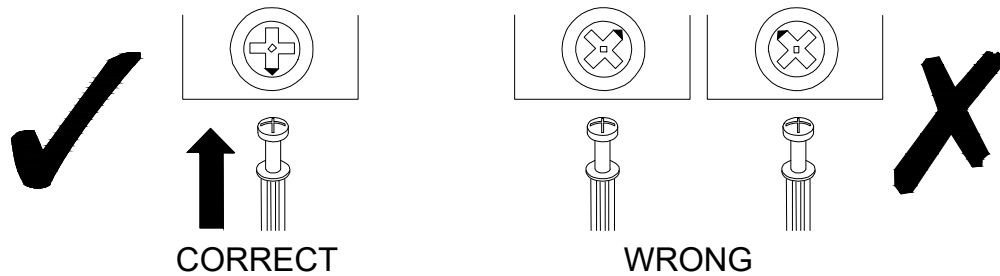
- Remove all wrapping material, including staples & packing straps before you start to assemble.
- DO NOT tighten all screws and bolts until completely assembled.
- Keep all hardware parts out of reach of children.

QUICKFIT



Tighten quickfit until shoulder is flush with panel. Do not overtighten or undertighten.

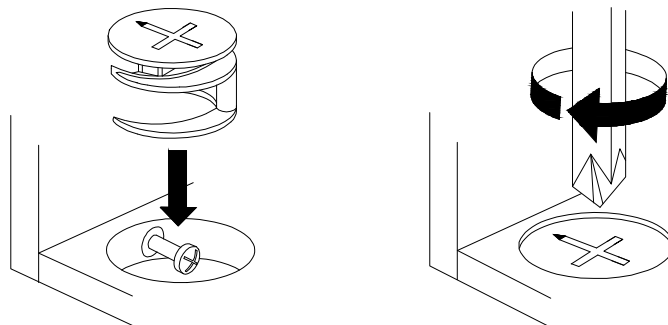
CAM LOCK



When fitting cam lock, ensure starting position is correct before you insert connecting quickfit.

Quickfit head should be in the centre of the cam lock when the two panels are joined.

Cam lock should be inserted before quickfit.



Turn cam lock clockwise to tighten.

Component Hardware

Please check you have all the fittings part or tools are listed in below.

No. A
Quantity:43Pcs
Cam Lock Dowel
8*28mm



No. B
Quantity:26Pcs
Dowel
8*30mm



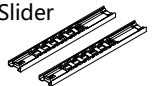
No. C
Quantity:43Pcs
Cam
φ15



No. D
Quantity:16Pcs
Screw
M6*50mm



No. E
Quantity:3Sets
Drawer Slider
12"



No. F
Quantity:62Pcs
Screw
4*14mm



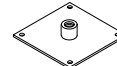
No. G
Quantity:2Pcs
Full Thread Screw
M6*40mm



No. H
Quantity:4Pcs
Screw
M8*35mm



No. I
Quantity:4Pcs
Foot Plate
70*70mm



No. J
Quantity:1Pc
Allen Key
5#



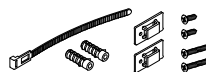
No. K
Quantity:8Pcs
Shelf Support



No. L
Quantity:4Pcs
Foot Pad
φ20



No. M
Quantity:2Sets
Anti-falling Parts



No. N
Quantity:43Pcs
Sticker
φ20



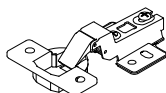
No. O
Quantity:1Pc
Allen Key
4#



No. P
Quantity:12Pcs
Screw
4*30mm



No. Q
Quantity:4Pcs
Hinge



No. R
Quantity:16Pcs
Screw
4*16mm



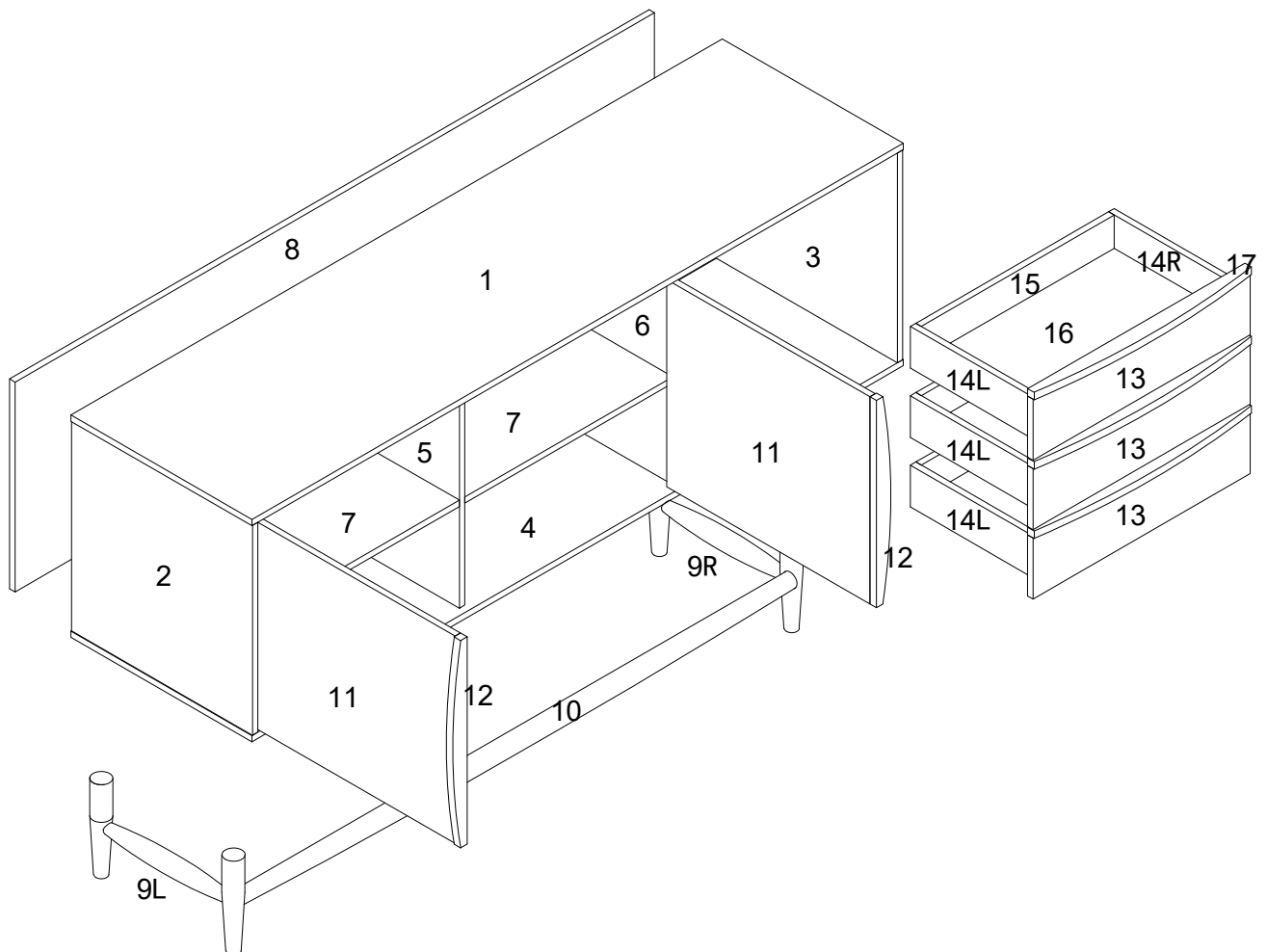
No. S
Quantity:16Pcs
Hole Filler
5mm



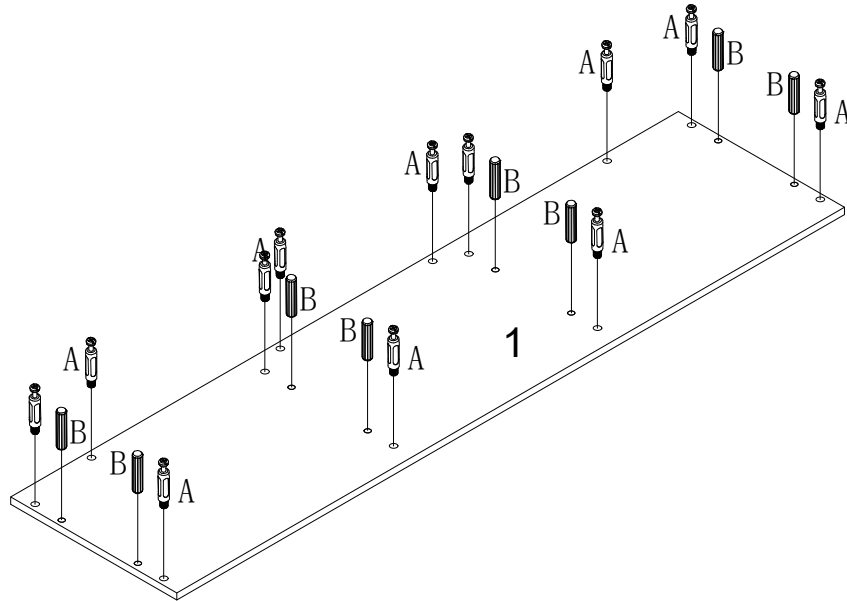
Component Panels & part List

Please check you have all the panels are listed below.

- | | | | | | |
|-----------------------|----|--------|-----------------------|----|--------|
| 1. TOP PANEL | x1 | CTN1/3 | 10. CROSSBAR | x1 | CTN2/3 |
| 2. SIDE PANEL_LEFT | x1 | CTN3/3 | 11. DOOR PANEL | x2 | CTN3/3 |
| 3. SIDE PANEL_RIGHT | x1 | CTN3/3 | 12. DOOR HANDLE | x2 | CTN3/3 |
| 4. BOTTOM PANEL | x1 | CTN1/3 | 13. DRAWER FRONT | x3 | CTN2/3 |
| 5. CENTRE PANEL_LEFT | x1 | CTN2/3 | 14L.DRAWER SIDE_LEFT | x3 | CTN3/3 |
| 6. CENTRE PANEL_RIGHT | x1 | CTN2/3 | 14R.DRAWER SIDE_RIGHT | x3 | CTN3/3 |
| 7. SHELF PANEL | x2 | CTN2/3 | 15. DRAWER BACK | x3 | CTN3/3 |
| 8. BACK PANEL | x1 | CTN2/3 | 16. DRAWER BOTTOM | x3 | CTN3/3 |
| 9L. LEFT LEG | x1 | CTN3/3 | 17. DRAWER HANDLE | x3 | CTN2/3 |
| 9R. RIGHT LEG | x1 | CTN3/3 | | | |



STEP 1



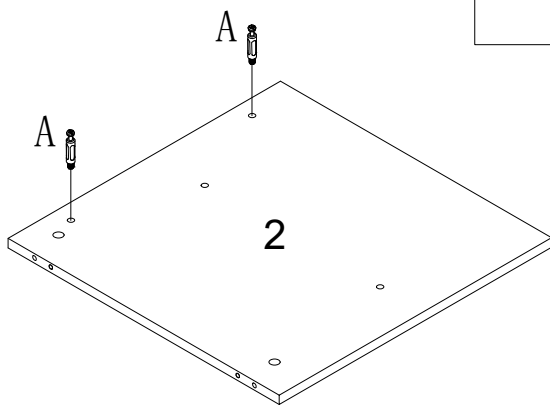
No. A
Quantity: 12 Pcs
Cam Lock Dowel
8*28 mm



No. B
Quantity: 8 Pcs
Dowel
8*30mm



STEP 2



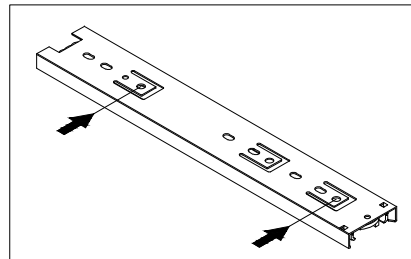
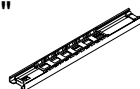
No. A
Quantity: 4 Pcs
Cam Lock Dowel
8*28 mm



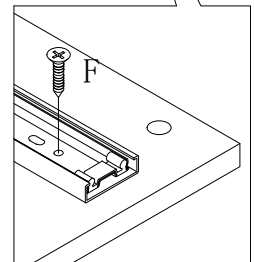
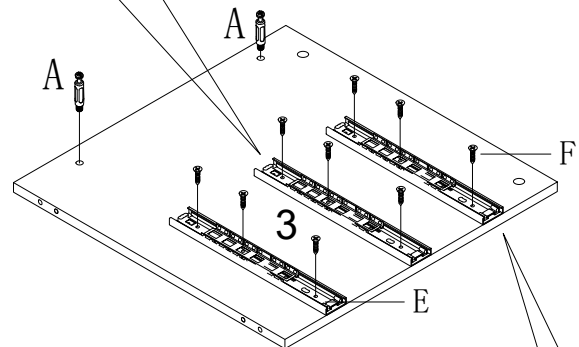
No. F
Quantity: 9 Pcs
Screw
4*14mm



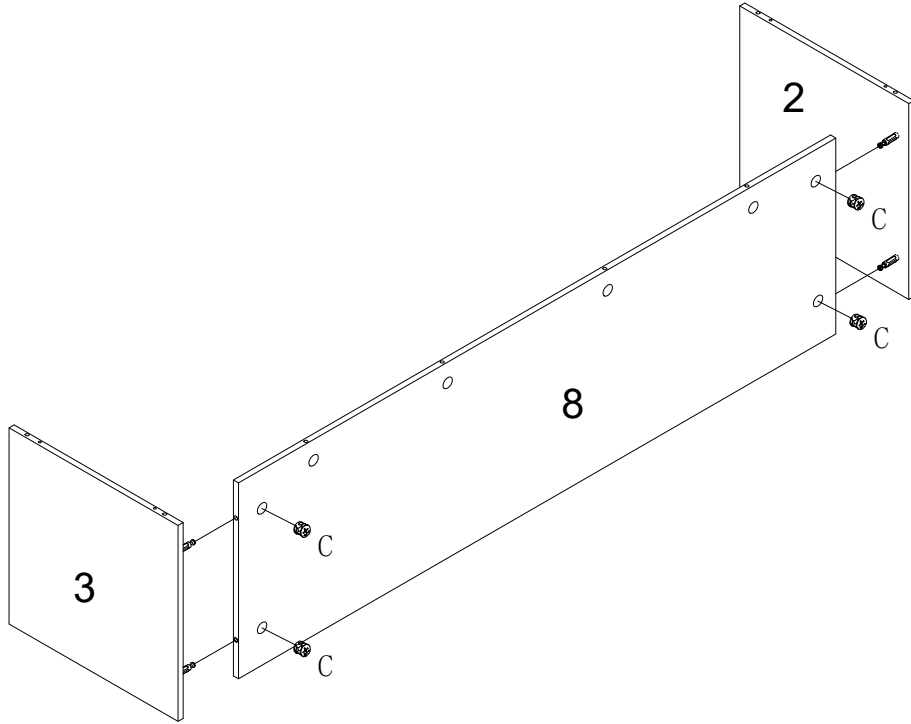
No. E
Quantity: 3 Pcs
Drawer Slider
12"



Note:
This is the drawer rail back side for holes position reference only.



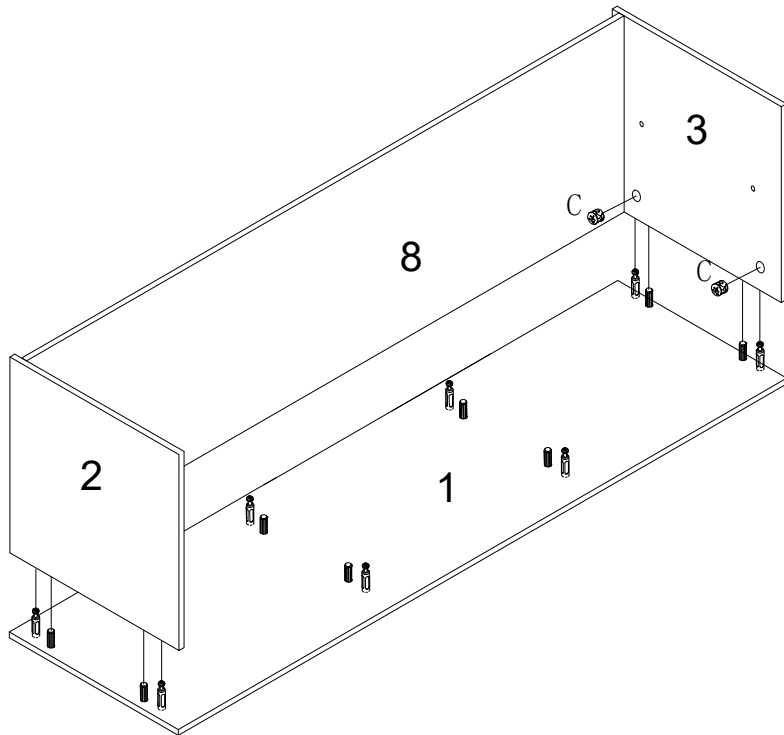
STEP 3



No. C
Quantity: 4 Pcs
Cam Lock
φ15mm



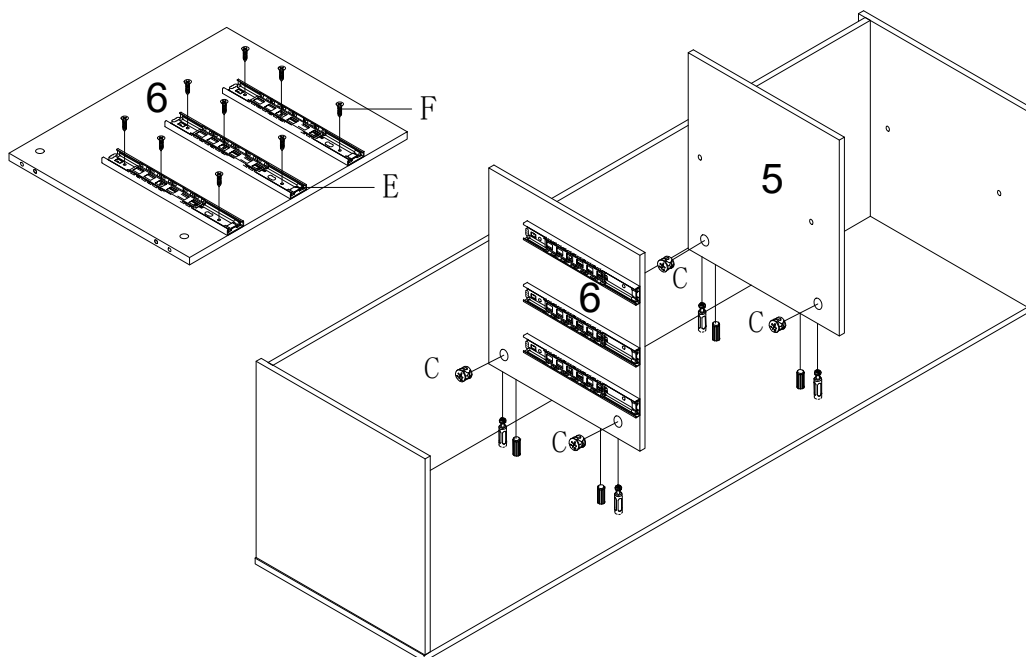
STEP 4



No. C
Quantity: 4 Pcs
Cam Lock
φ15mm



STEP 5



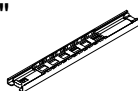
No. C
Quantity: 4 Pcs
Cam Lock
φ15mm



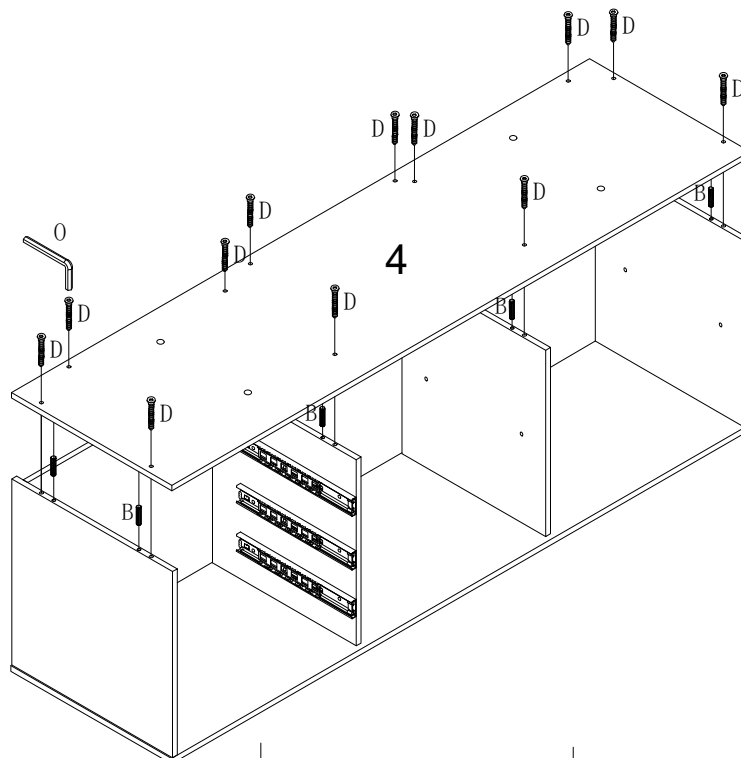
No. F
Quantity: 9 Pcs
Screw
4*14mm



No. E
Quantity: 3 Pcs
Drawer Slider
12"



STEP 6



No. D
Quantity: 12 Pcs
Screw
M6*50mm



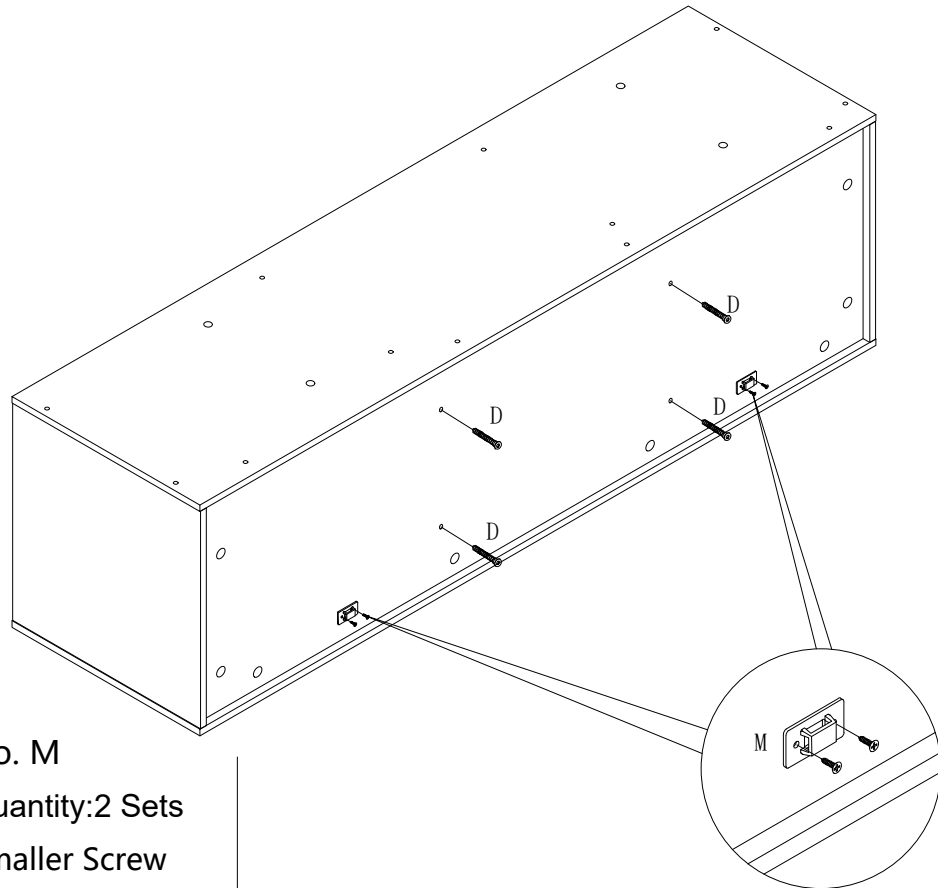
No. B
Quantity: 8 Pcs
Dowel
8*30mm



No. O
Quantity: 1Pc
Allen Key
4#



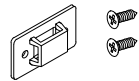
STEP 7



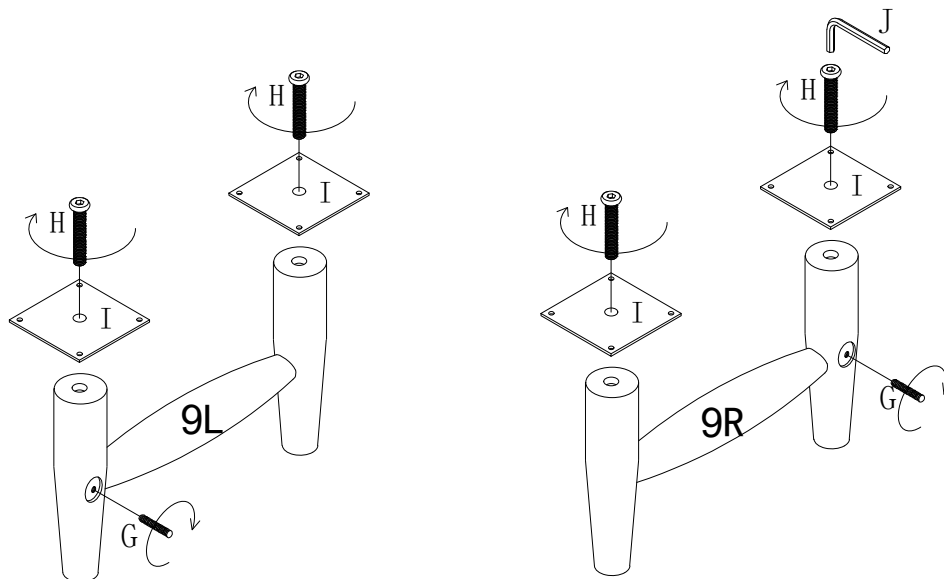
No. D
Quantity: 4 Pcs
Screw
M6*50mm



No. M
Quantity: 2 Sets
Smaller Screw



STEP 8



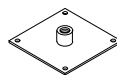
No. G
Quantity: 2 Pcs
Full Thread Screw
M6*40mm



No. H
Quantity: 4 Pcs
Screw
M8*35mm



No. I
Quantity: 4 Pcs
Foot Plate

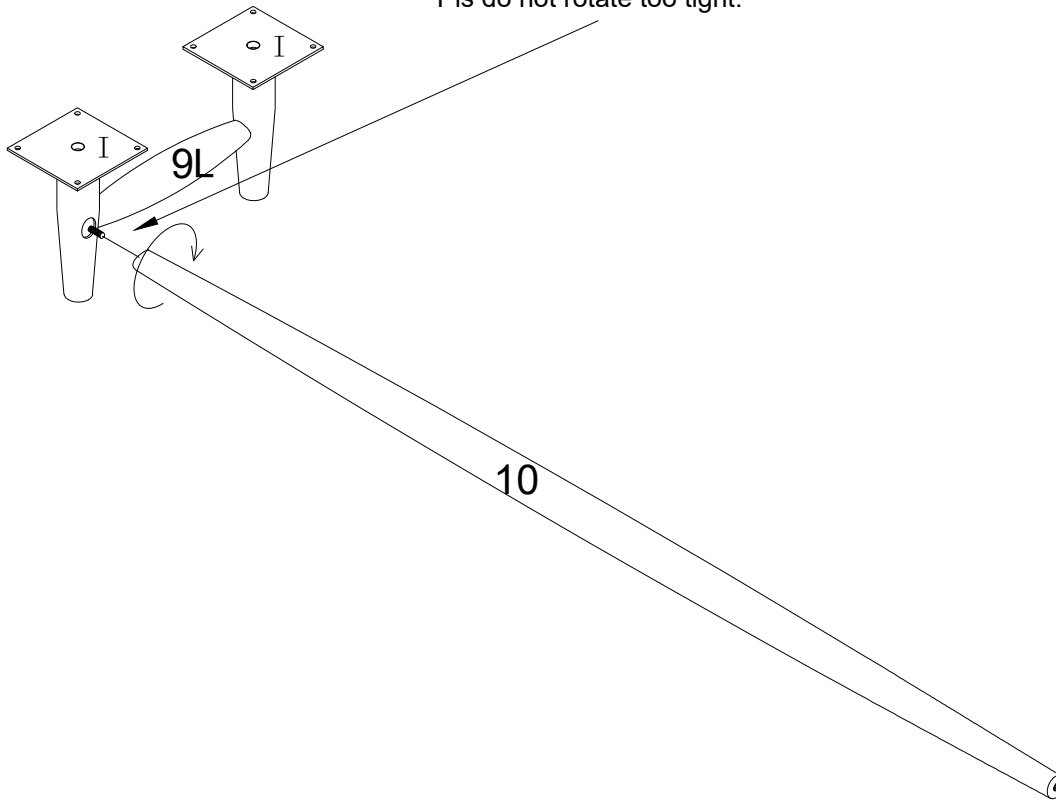


No. J
Quantity: 1 Pc
Allen Key
5#

STEP 9

Note:

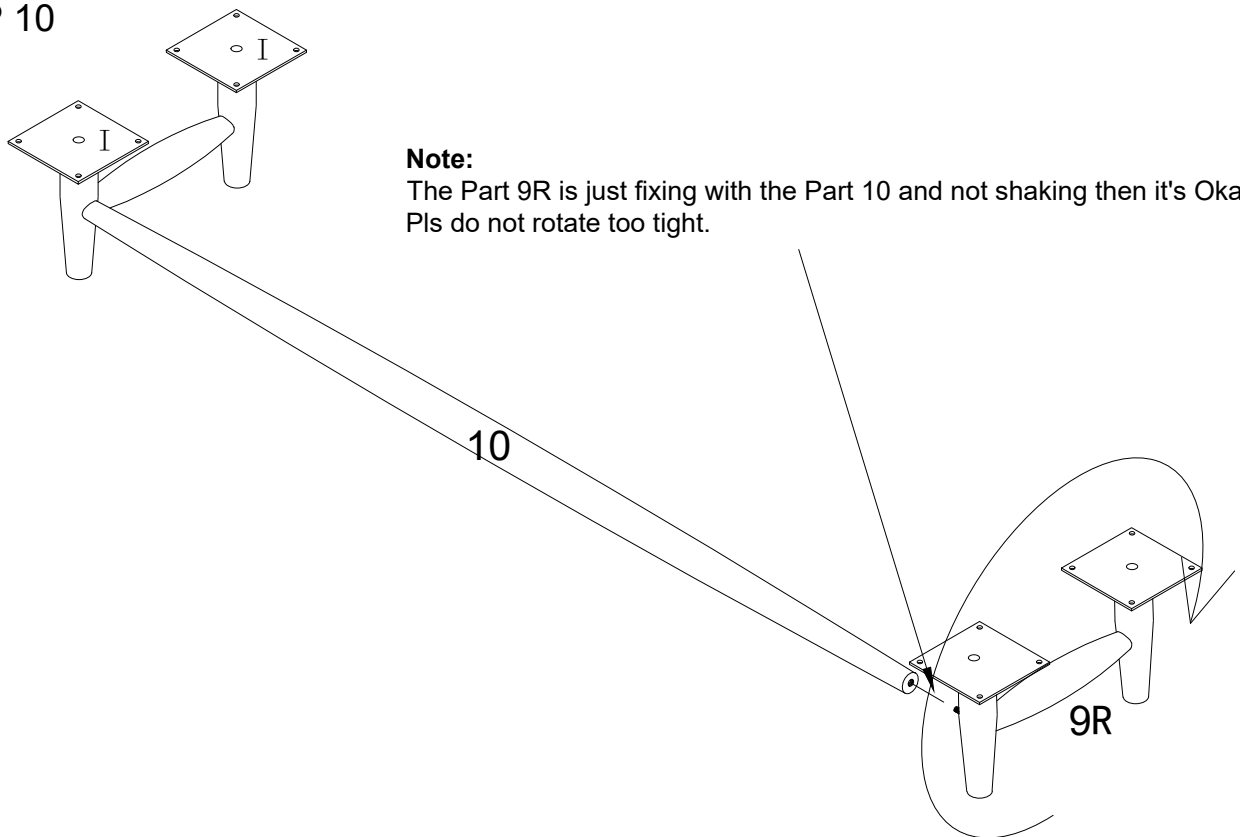
The Part 9L is just fixing with the Part 10 and not shaking then it's Okay.
Pls do not rotate too tight.



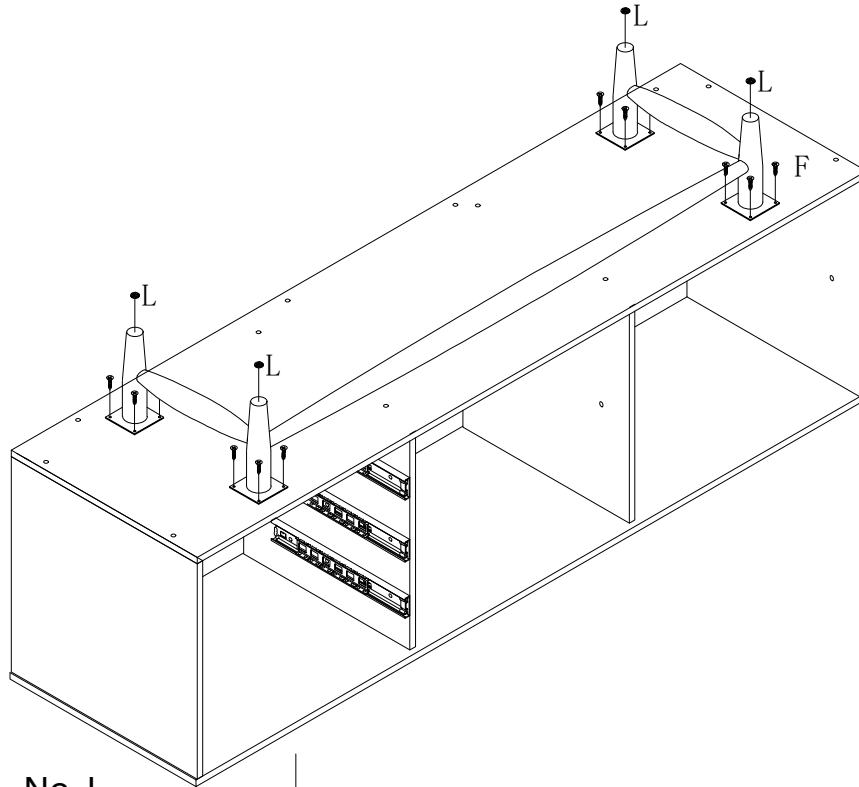
STEP 10

Note:

The Part 9R is just fixing with the Part 10 and not shaking then it's Okay.
Pls do not rotate too tight.



STEP 11



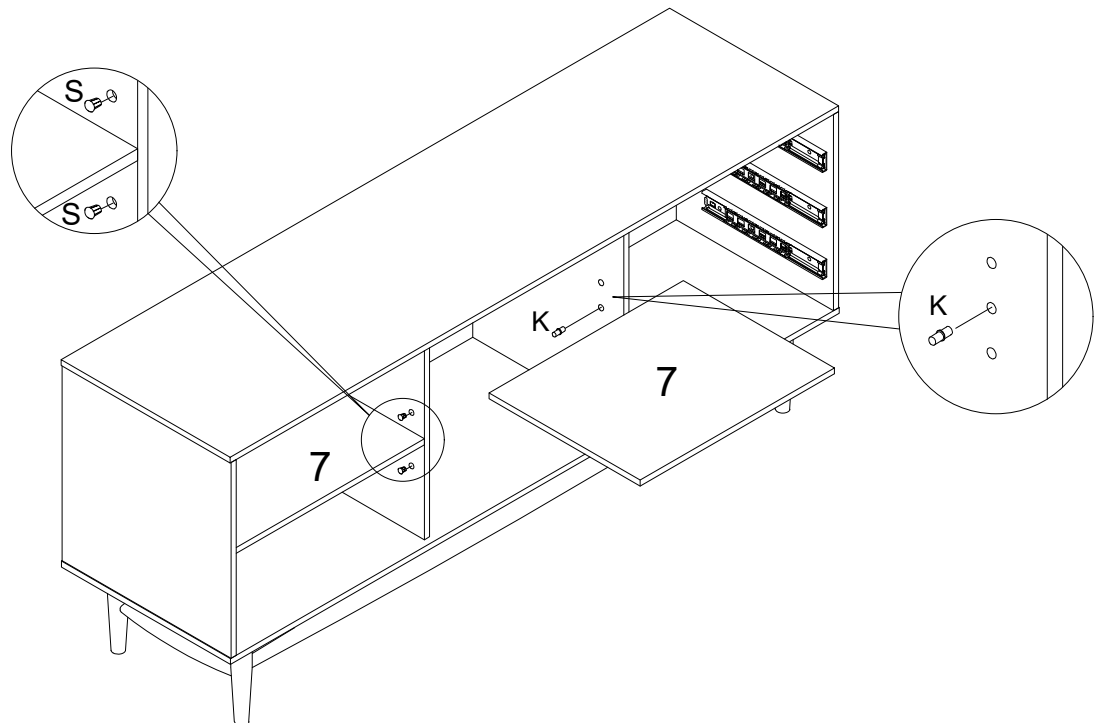
No. F
Quantity: 16 Pcs
Screw
4*14mm



No. L
Quantity: 4 Pcs
Foot Pad
φ20



STEP 12



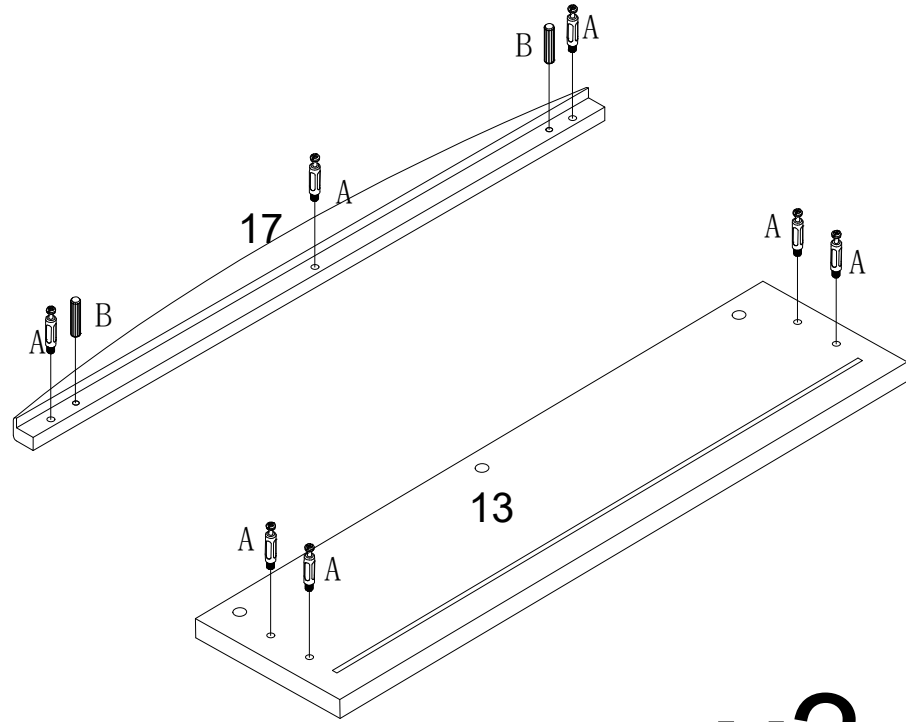
No. K
Quantity: 8 Pcs
Shelf Support
M6*12mm



No. S
Quantity: 16 Pcs
Hole Filler
5mm



STEP 13



x3

No. A

Quantity: 21 Pcs

Cam Lock Dowel
8*28 mm



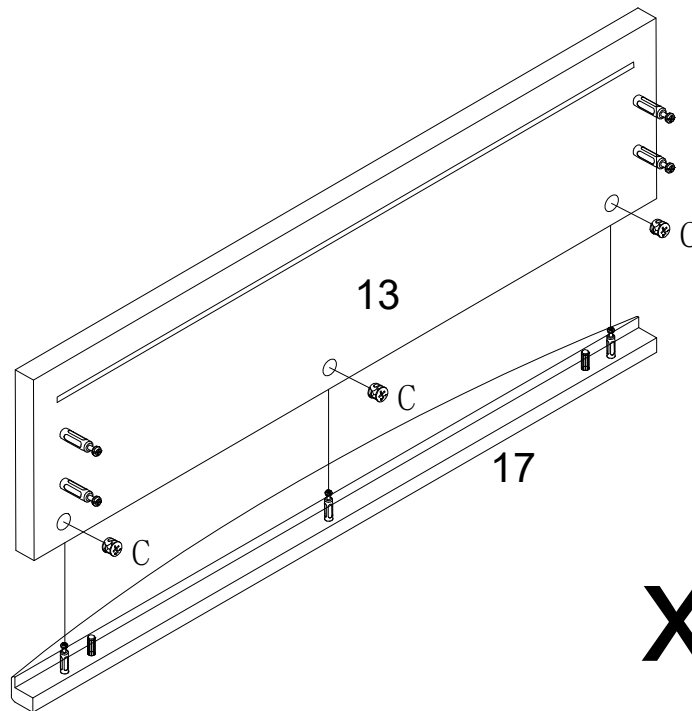
No. B

Quantity: 6 Pcs

Dowel
8*30mm



STEP 14



x3

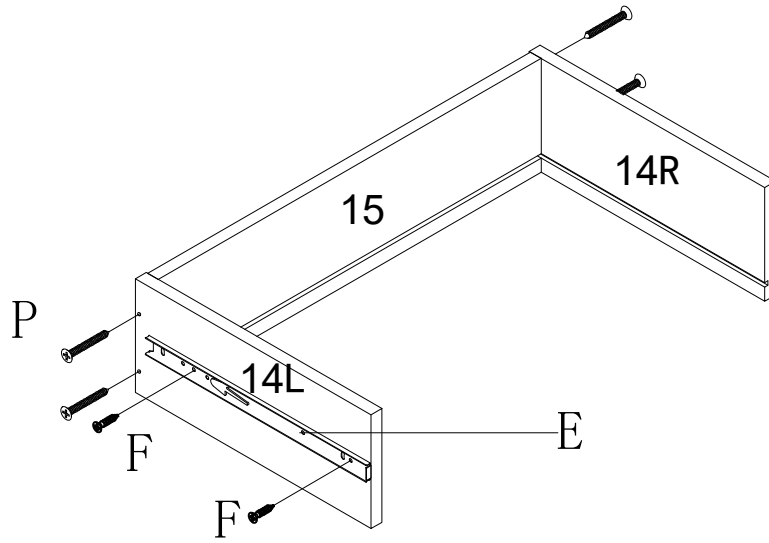
No. C

Quantity: 9 Pcs

Cam Lock
φ15mm



STEP 15

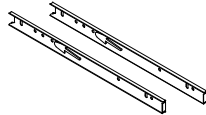


x3

No. F
Quantity: 18 Pcs
Screw
4*14mm



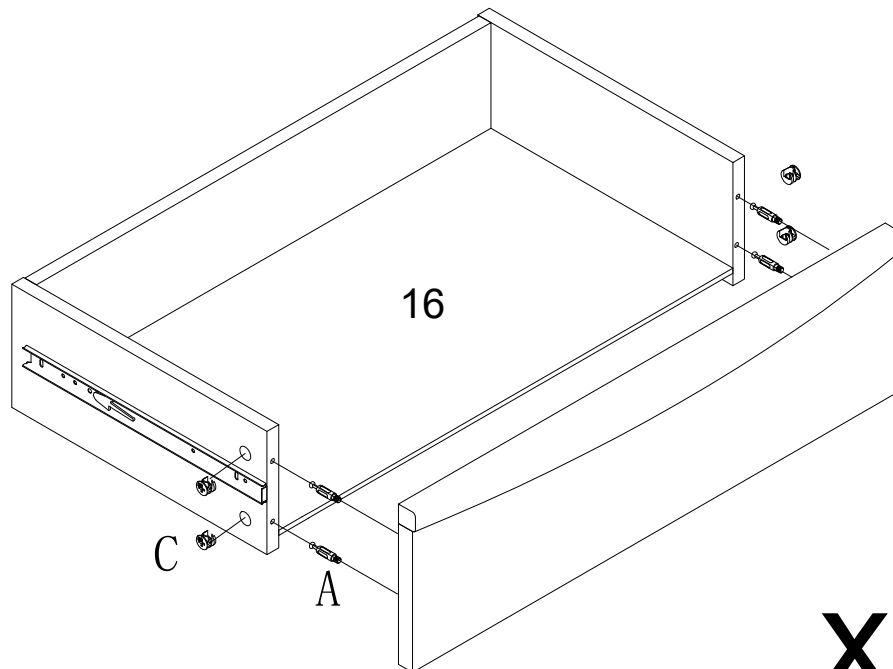
No. E
Quantity: 3 Sets
Drawer Slider
12"



No. P
Quantity: 12 Pcs
Screw
4*30mm



STEP 16

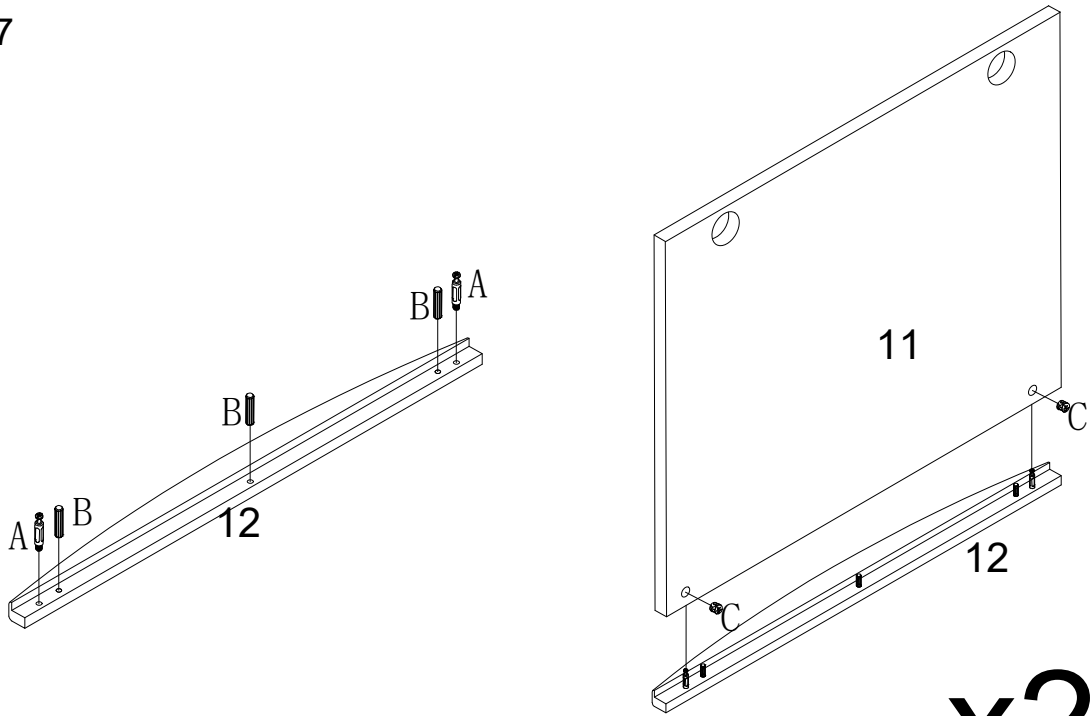


x3

No. C
Quantity: 12 Pcs
Cam Lock



STEP 17



No. A
Quantity: 4 Pcs
Cam Lock Dowel
8*28 mm



No. B
Quantity: 6 Pcs
Dowel
8*30mm

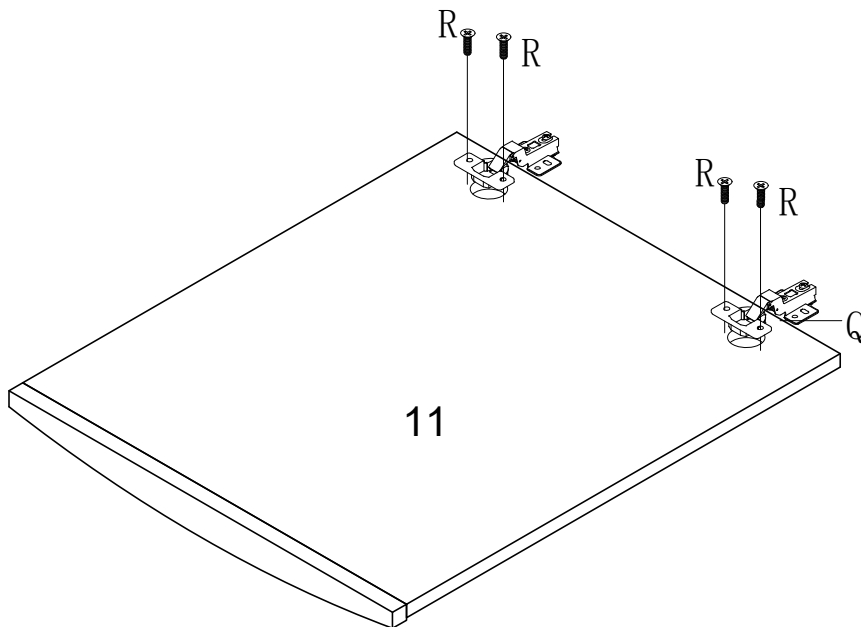


No. C
Quantity: 6 Pcs
Cam Lock



x2

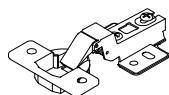
STEP 18



No. R
Quantity: 8 Pcs
Screw
4*16mm

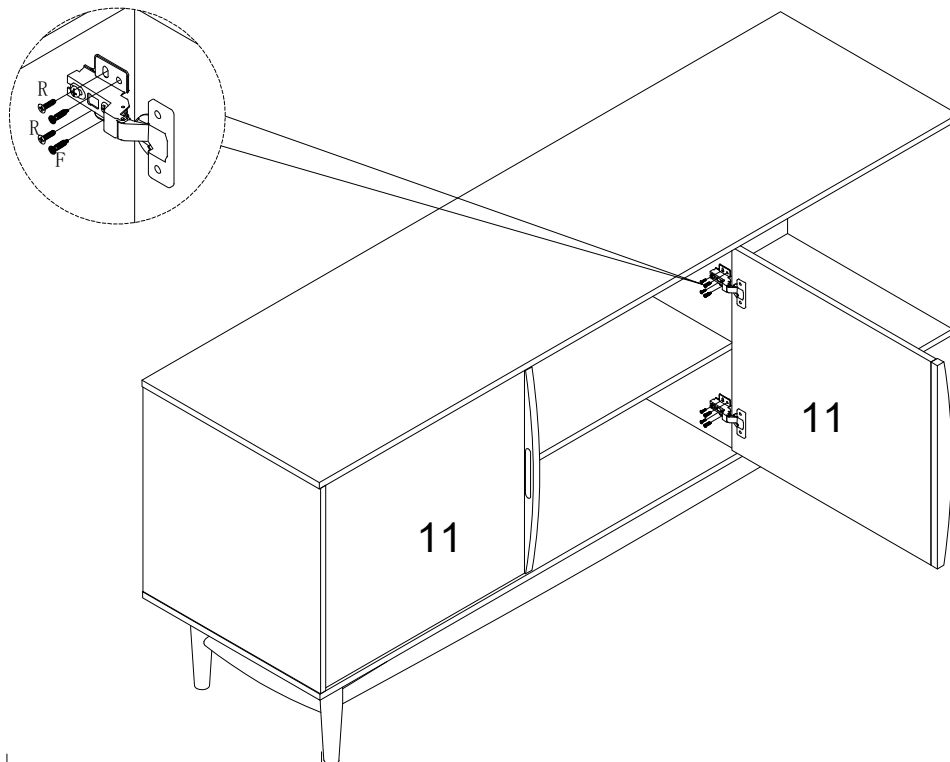


No. Q
Quantity: 4 Pcs
Hinge



x2

STEP 19



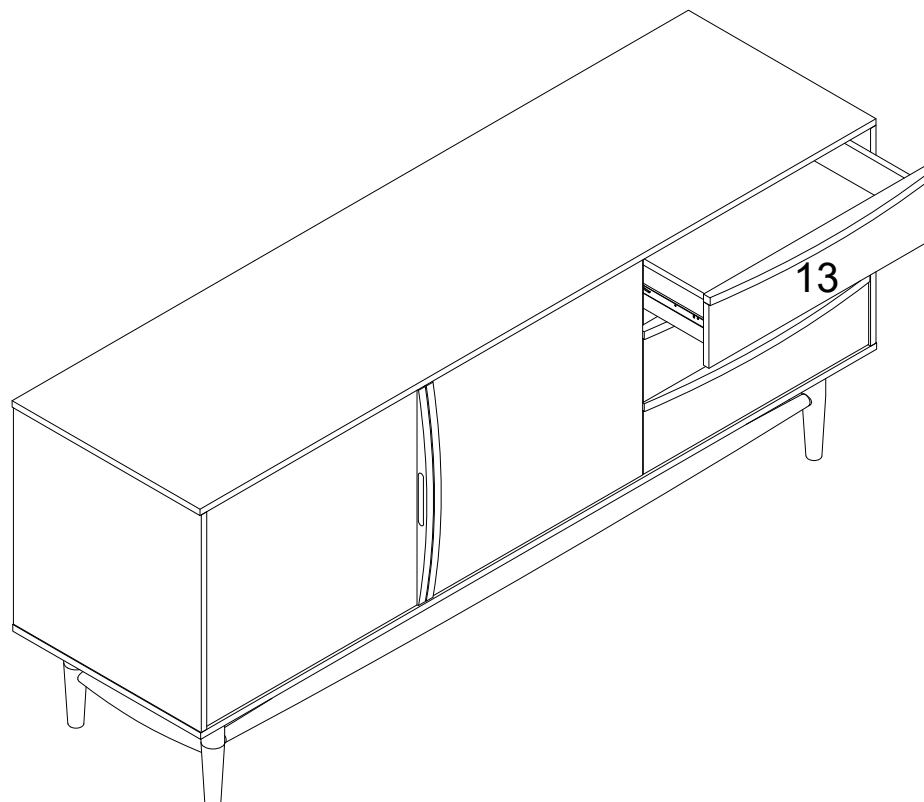
No. F
Quantity: 8 Pcs
Screw
4*14mm



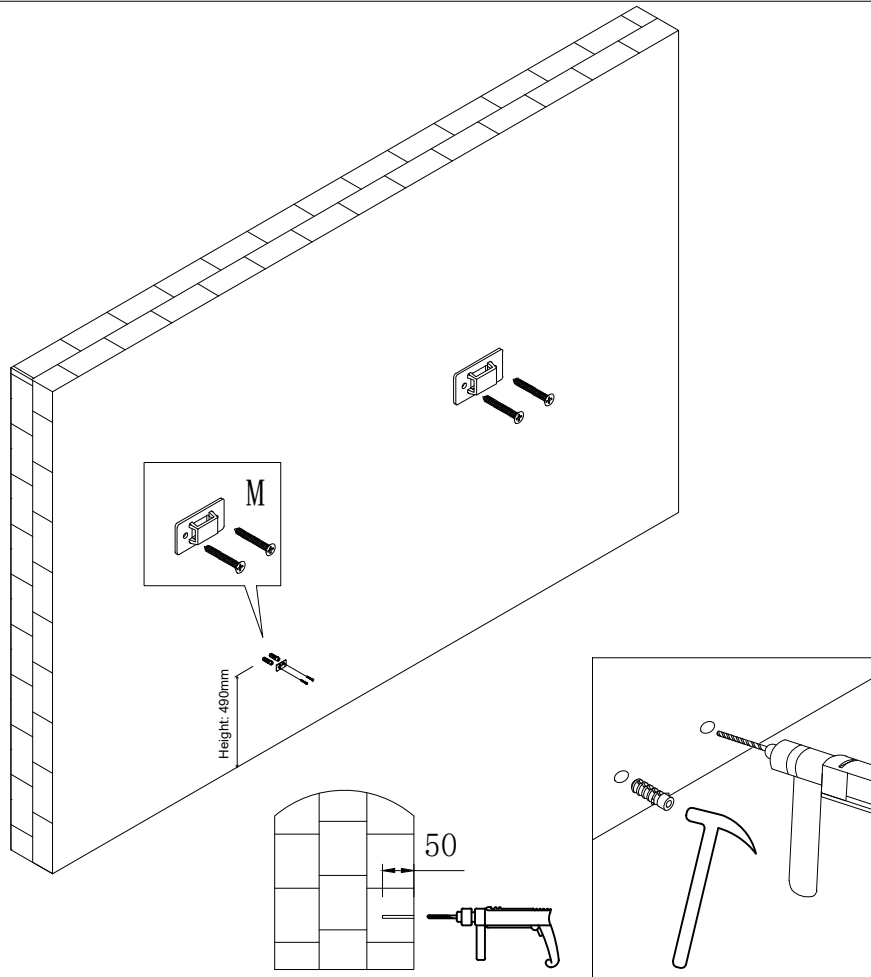
No. R
Quantity: 8 Pcs
Screw
4*16mm



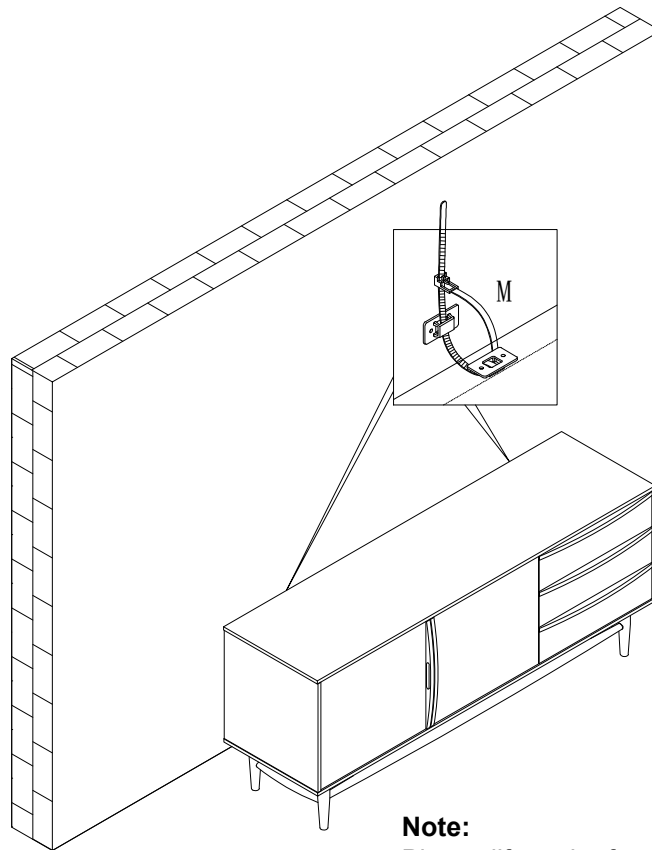
STEP 20



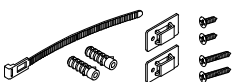
STEP 21



STEP 22



No. M
Quantity: 2 Sets
Anti-falling Parts



Note:
Please lift up the furniture by two people when moving is needed. Dragging may cause the legs failure.

lifely.com.au

Great job. You're done!

Don't forget to share how it looks in
your space and tag us on Instagram.
@lifelyhome#homewithlifely!