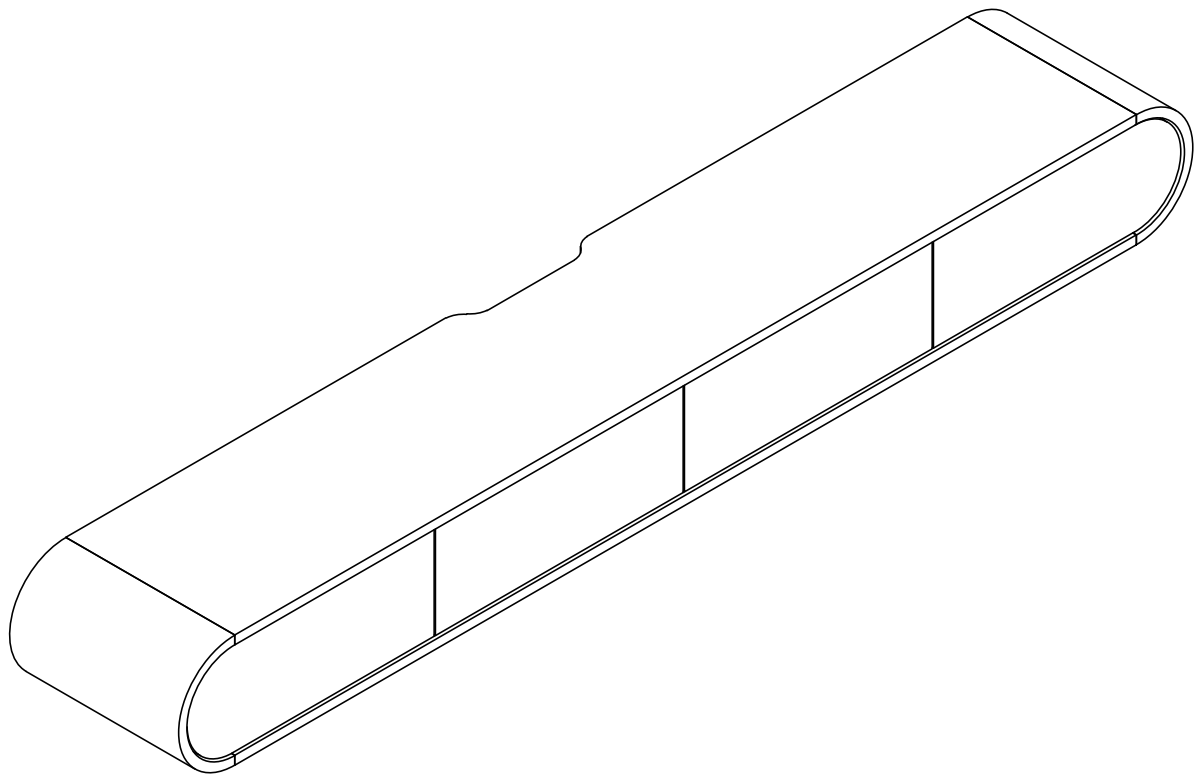


Assembly Instructions

Pebble Series



Lifely*

Product Code

PBLE-TV-180 TV Unit

Dimensions(W x D x H)

1800*300*200

Important

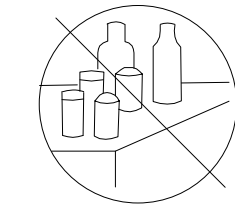
Please read through instruction carefully
Before assembly and keep for future reference.

For our full catalogue of assembly instructions,
Visit: lifely.com.au/assembly.

Important Tips and Maintenance



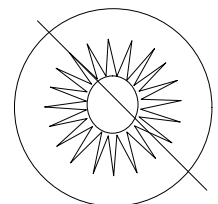
1. Keep children and animals away from working area as smaller parts may cause choking if swallowed.



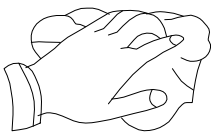
2. Never place liquids or anything damp upon furniture as it will mark. Ensure a coaster or running is beneath.



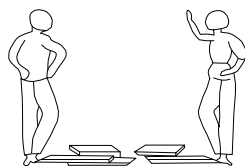
3. Never use ammonia based cleaning products as it will damage the finish.



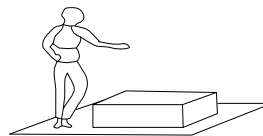
4. To avoid fading, keep furniture out of direct sunlight.



5. Use a soft or damp cloth (dry cloth) when wiping or cleaning surfaces.



6. Two person are required.



7. Lay a soft matt down to protect the furniture piece before and

So your relationship is strong. But is it flat-pack furniture strong? Unless you're an aerospace engineer, assembling furniture can be slightly stressful. We recommend meditating quietly, pouring yourself a herbal tea (or slightly less herbal wine) and tackling things one step at a time. If you feel a passive aggressive remark coming on, try a compliment instead. E.g. "You're so good looking"

This 20-step assembly should take around 1.5 hours with an Allen Key - or 75 minutes with an electric drill. Godspeed.

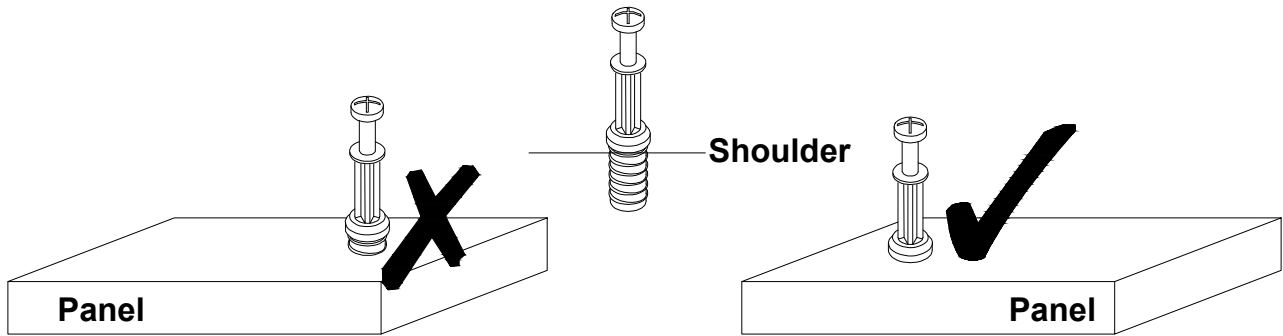
Designed for everyday

Before Assembly

Tips Before Your Start:

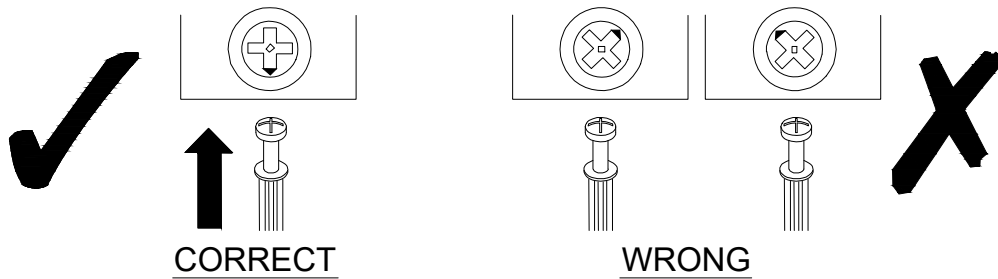
- Remove all wrapping material, including staples & packing straps before you start to assemble.
- DO NOT tighten all screws and bolts until completely assembled.
- Keep all hardware parts out of reach of children.

QUICKFIT



Tighten quickfit until shoulder is flush with panel. Do not overtighten or undertighten.

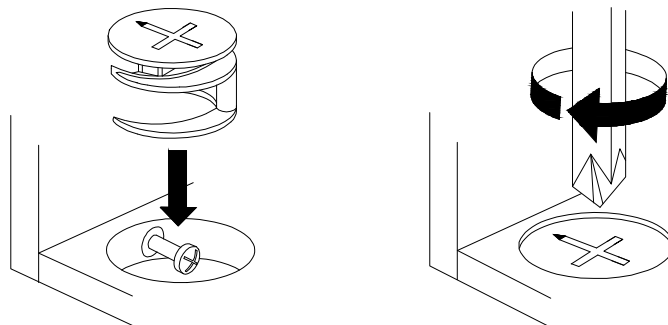
CAM LOCK



When fitting cam lock, ensure starting position is correct before you insert connecting quickfit.

Quickfit head should be in the centre of the cam lock when the two panels are joined.

Cam lock should be inserted before quickfit.



Turn cam lock clockwise to tighten.

Component Hardware

Please check you have all the fittings part or tools are listed in below.

No. A
Quantity:30Pcs
Cam Lock Dowel
8*28mm



No. B
Quantity:20Pcs
Dowel
8*30mm



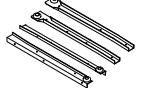
No. C
Quantity:30Pcs
Cam
φ15



No. D
Quantity:36Pcs
Screw
4*14mm



No. E
Quantity: 2Sets
Drawer Slider
10"



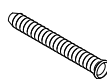
No. F
Quantity:10Pcs
Screw
M6*50mm



No. G
Quantity:1Pc
Allen Key
4#



No. H
Quantity:6Pcs
Shelf Support
M8*60mm



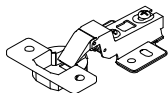
No. I
Quantity:6Pcs
Screw
5*8mm



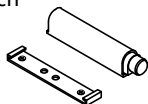
No. J
Quantity:16Pcs
Screw
4*14mm



No. K
Quantity:4Pcs
Hinge



No. L
Quantity:4Sets
Push Latch



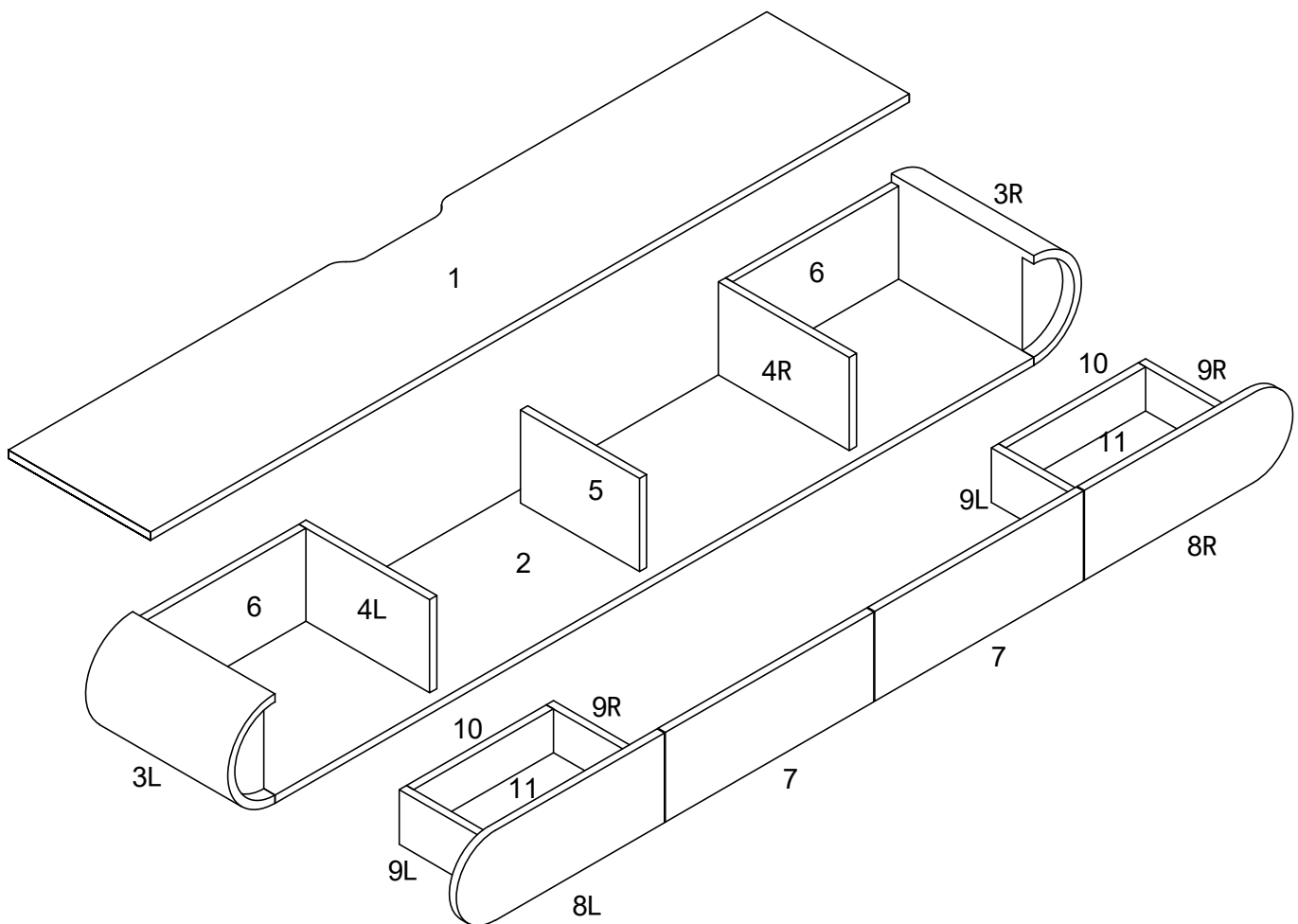
No. M
Quantity:8Pcs
Screw
4*30mm



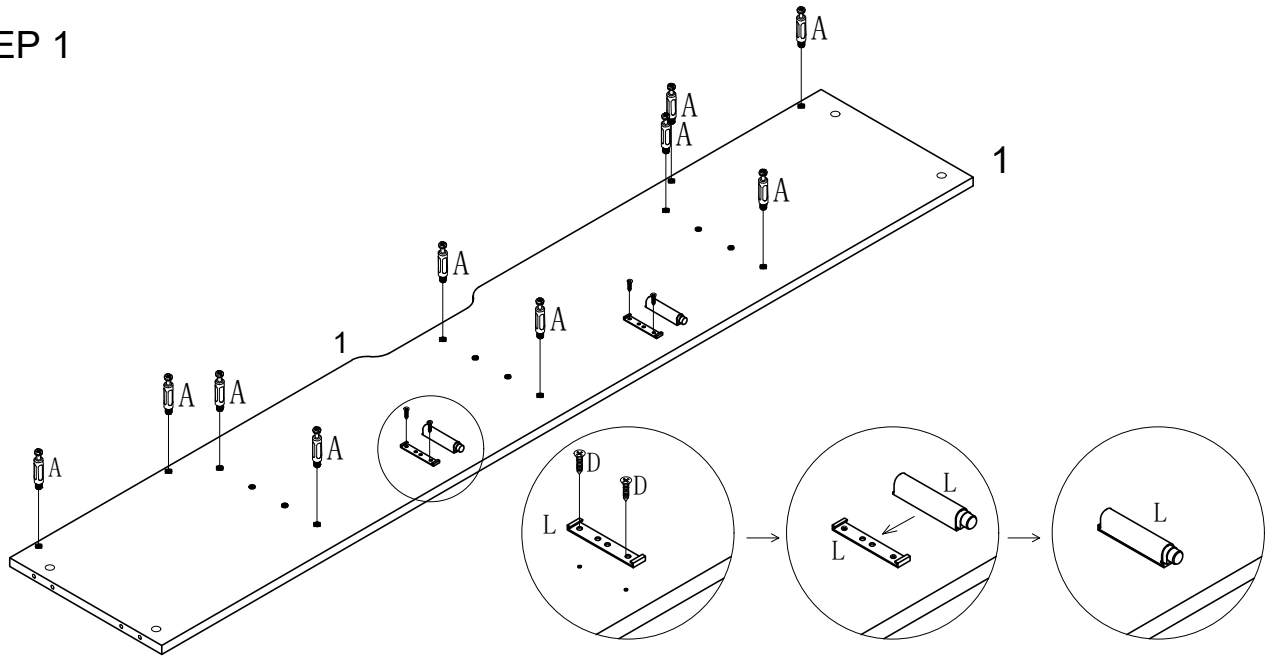
Component Panels & part List

Please check you have all the panels are listed below.

- | | | | |
|------------------------|----|-----------------------|----|
| 1. TOP PANEL | x1 | 8L. DOOR PANEL_LEFT | x1 |
| 2. BOTTOM PANEL | x1 | 8R. DOOR PANEL_RIGHT | x1 |
| 3L. SIDE PANEL_LEFT | x1 | 9L. DRAWER SIDE_LEFT | x2 |
| 3R. SIDE PANEL_RIGHT | x1 | 9R. DRAWER SIDE_RIGHT | x2 |
| 4L. CENTRE PANEL_LEFT | x1 | 10. DRAWER BACK | x2 |
| 4R. CENTRE PANEL_RIGHT | x1 | 11. DRAWER BOTTOM | x2 |
| 5. CENTRE PANEL | x1 | | |
| 6. BACK PANEL | x2 | | |
| 7. DOOR PANEL_MIDDLE | x2 | | |



STEP 1



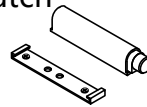
No. A
Quantity: 10 Pcs
Cam Lock Dowel
8*28 mm



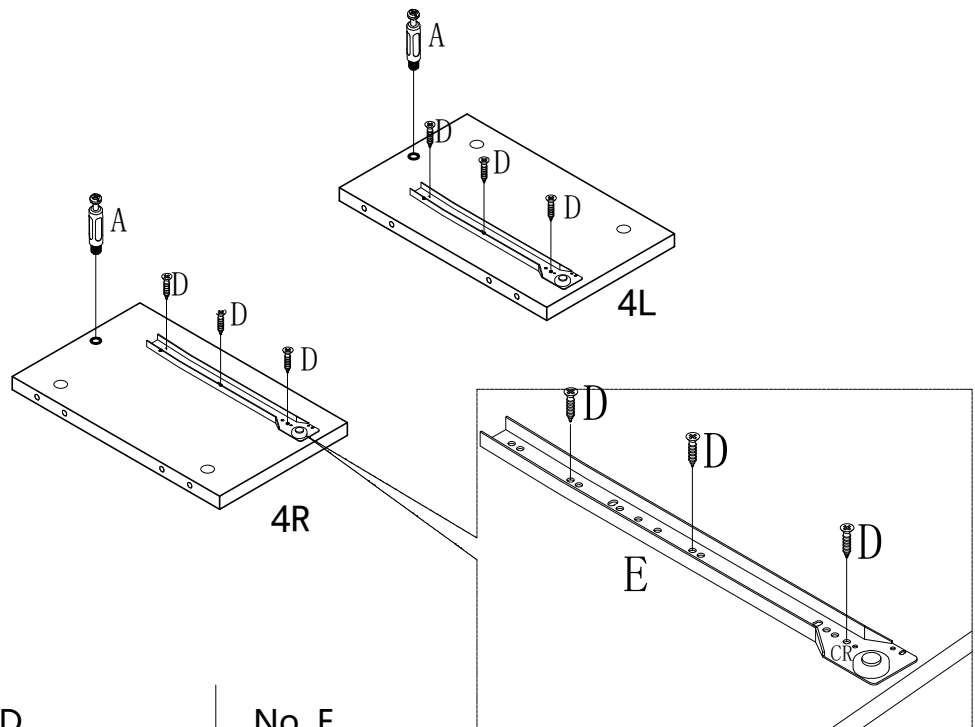
No. D
Quantity: 4 Pcs
Screw
4*14mm



No. L
Quantity: 2 Pcs
Push Latch



STEP 2



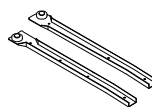
No. A
Quantity: 2 Pcs
Cam Lock Dowel
8*28 mm



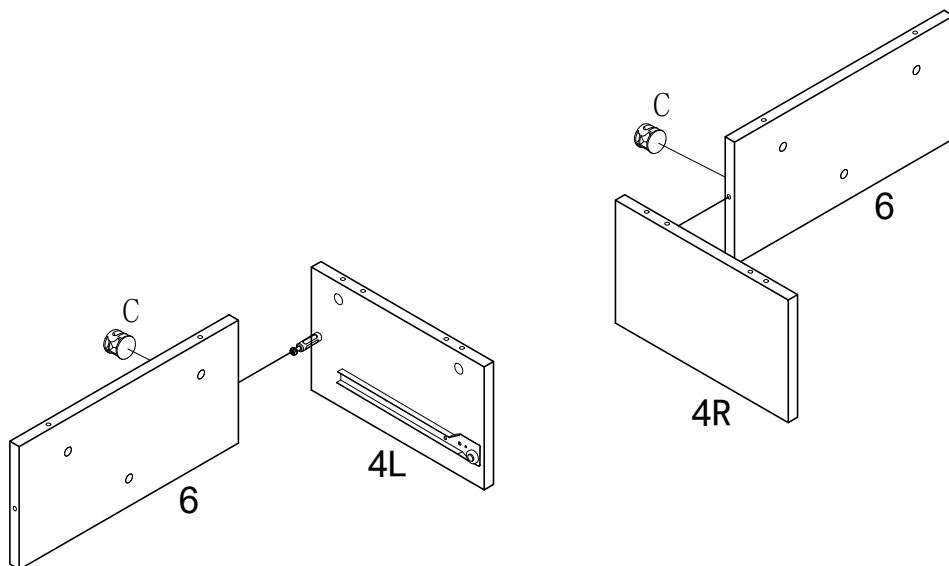
No. D
Quantity: 6 Pcs
Screw
4*14mm



No. E
Quantity: 2 Pcs
Drawer Slider
10"



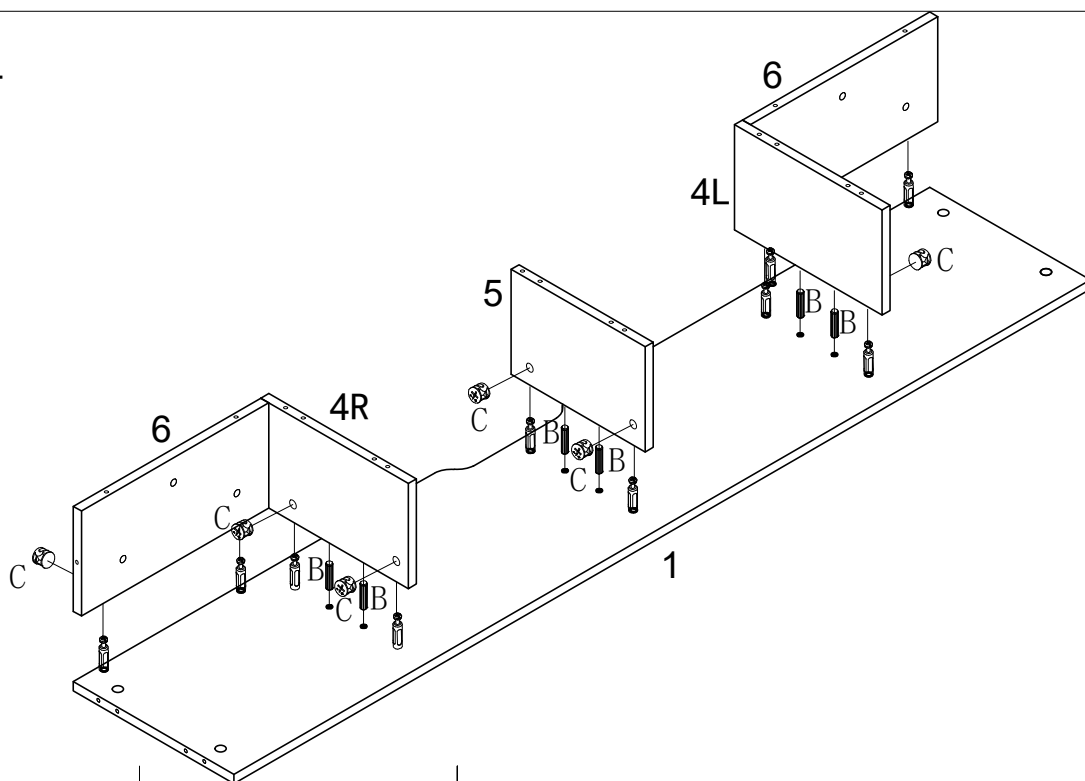
STEP 3



No. C
Quantity: 2 Pcs
Cam Lock
φ15mm



STEP 4



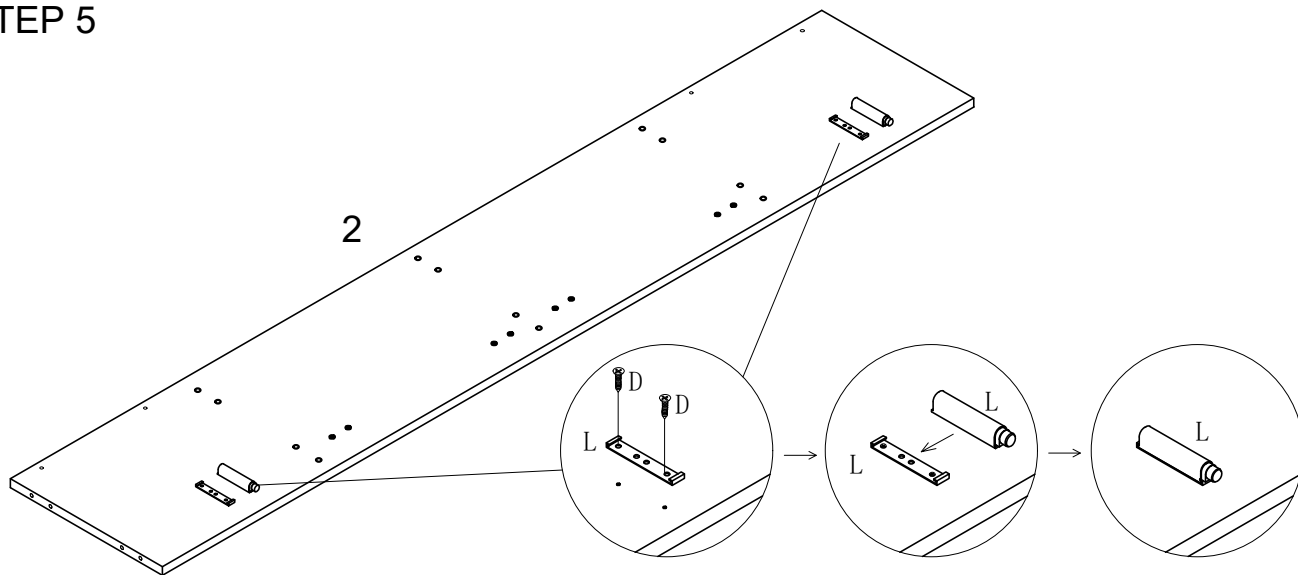
No. C
Quantity: 10 Pcs
Cam Lock
φ15mm



No. B
Quantity: 6 Pcs
Dowel
8*30mm



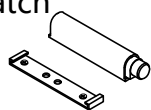
STEP 5



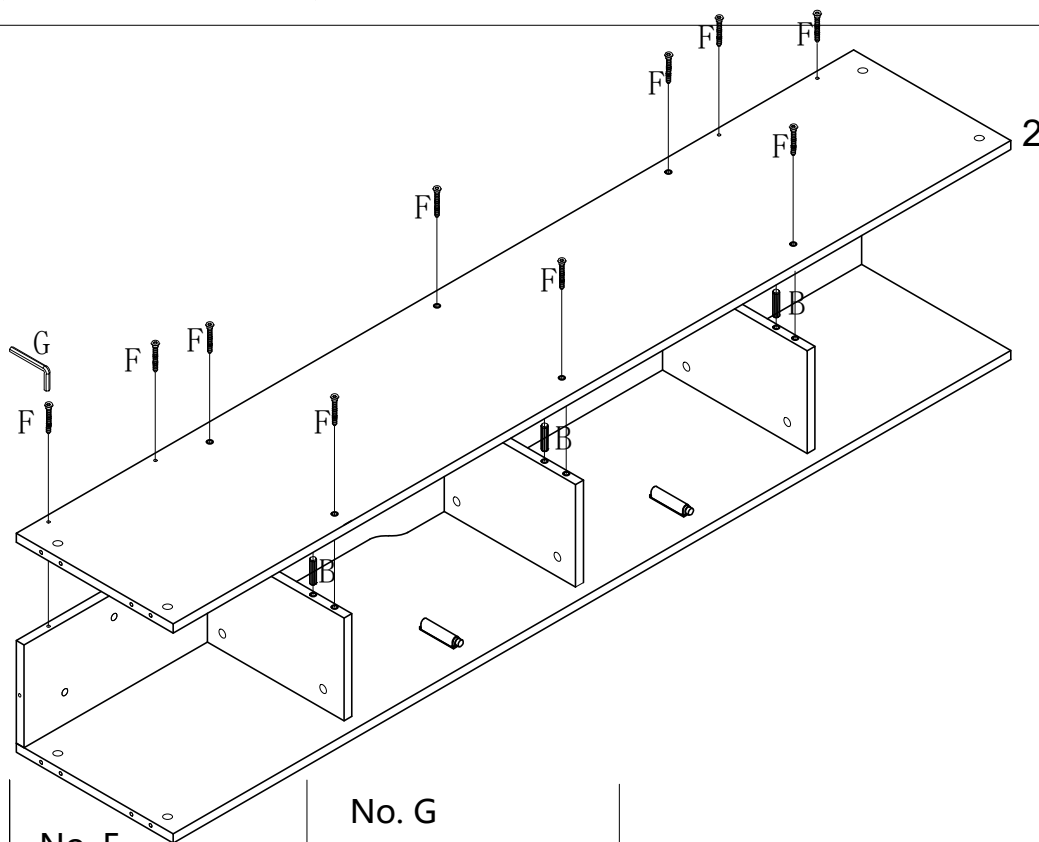
No. D
Quantity:4 Pcs
Screw
4*14mm



No. L
Quantity:2 Pcs
Push Latch



STEP 6



No. B
Quantity:6 Pcs
Dowel
8*30mm



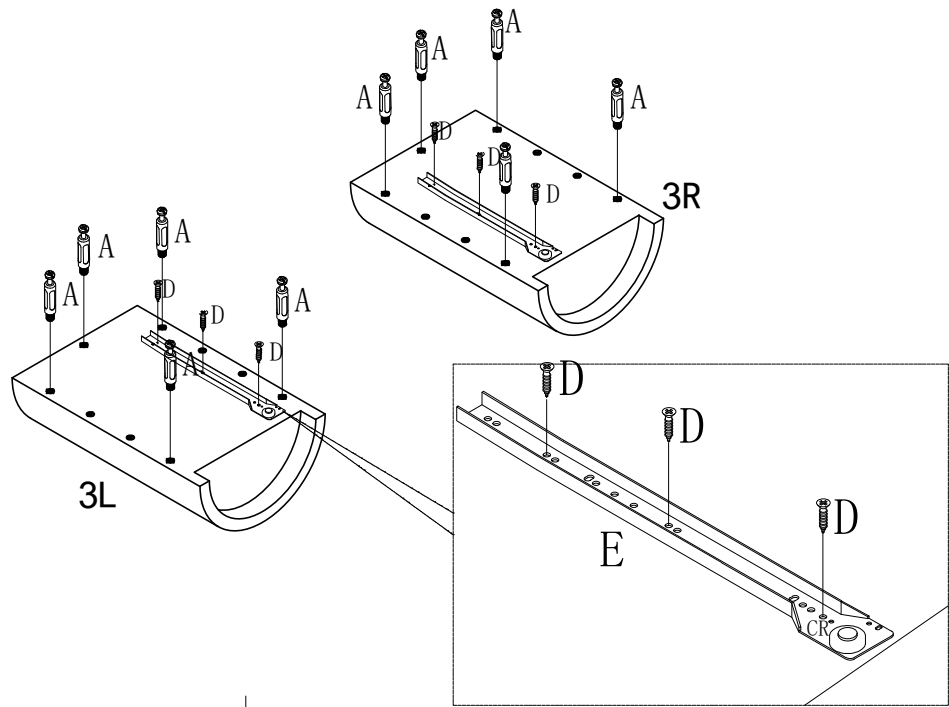
No. F
Quantity:10 Pcs
Screw
M6*50mm



No. G
Quantity:1Pc
Allen Key
4#



STEP 7



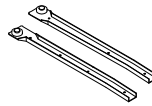
No. A
Quantity: 10 Pcs
Cam Lock Dowel
8*28 mm



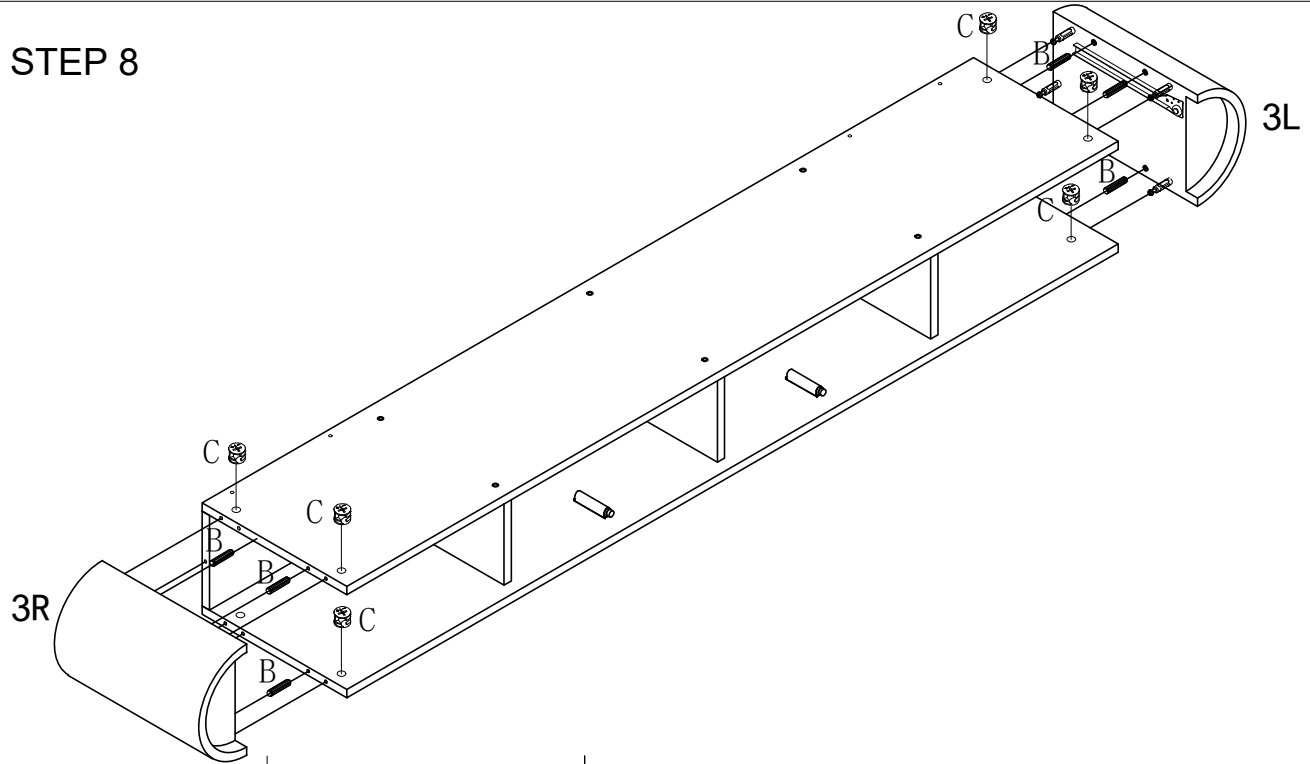
No. D
Quantity: 6 Pcs
Screw
4*14mm



No. E
Quantity: 2 Pcs
Drawer Slider
10"



STEP 8



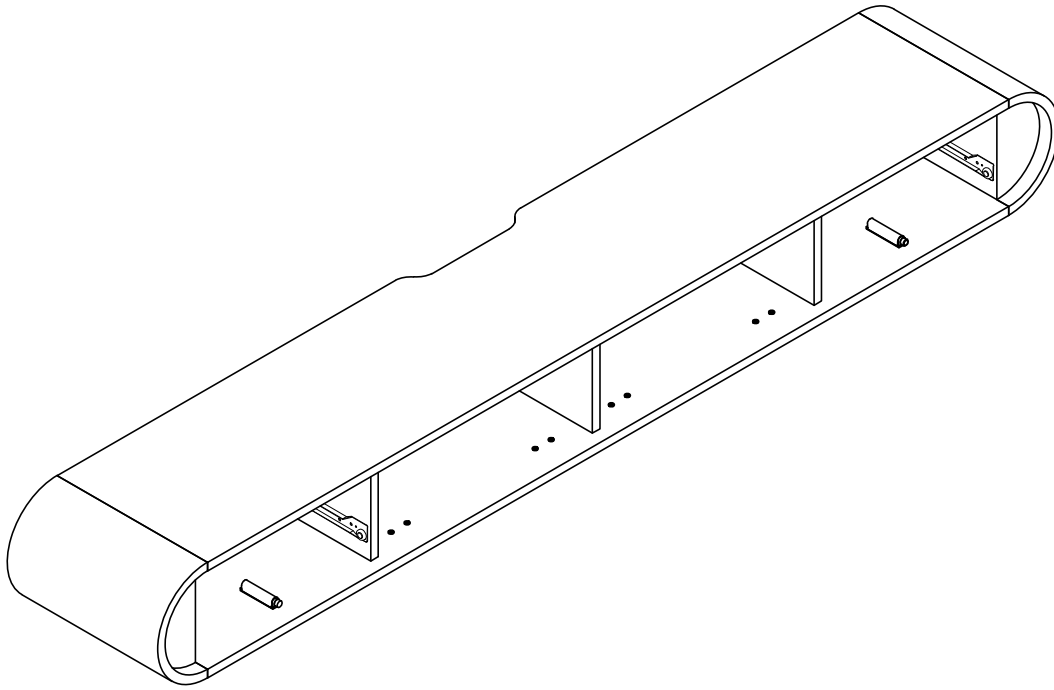
No. C
Quantity: 8 Pcs
Cam Lock
φ15mm



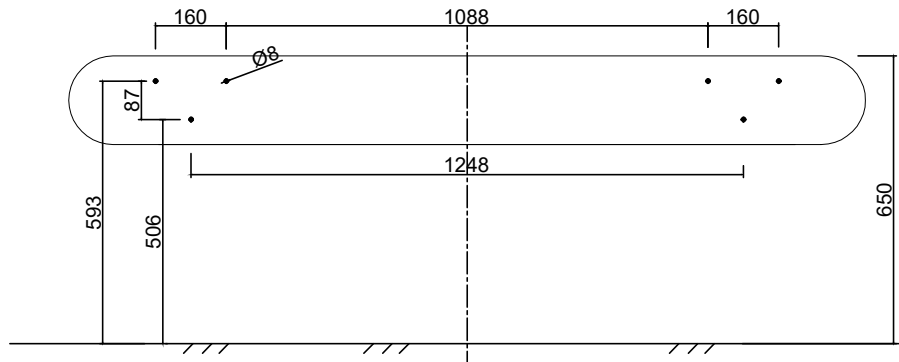
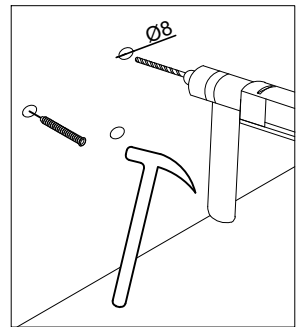
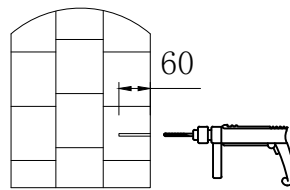
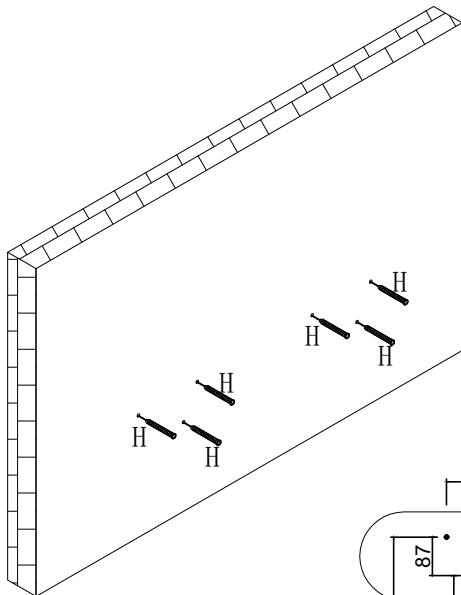
No. B
Quantity: 4 Pcs
Dowel
8*30mm



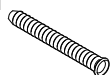
STEP 9



STEP 10

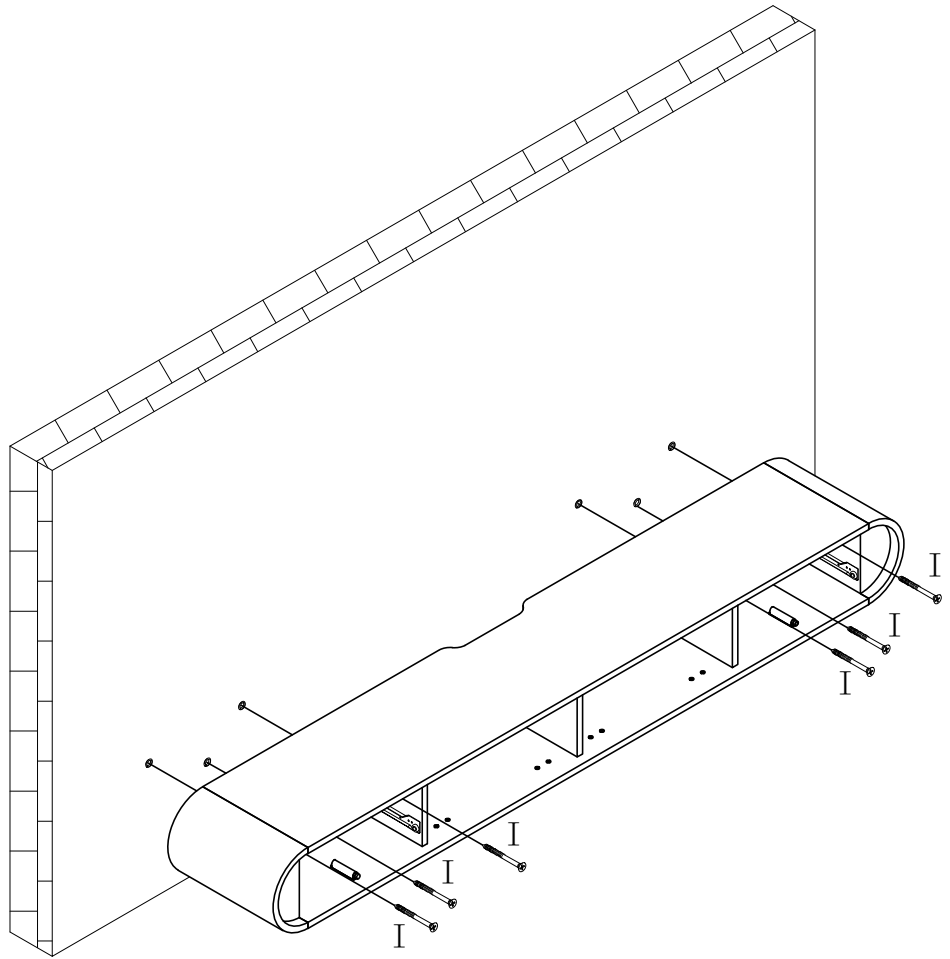


No. H
Quantity: 6 Pcs
Shelf Support
M8*60mm

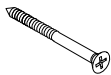


Height 650mm is recommended, you can adjust by following the dimension if you want other assemble height.

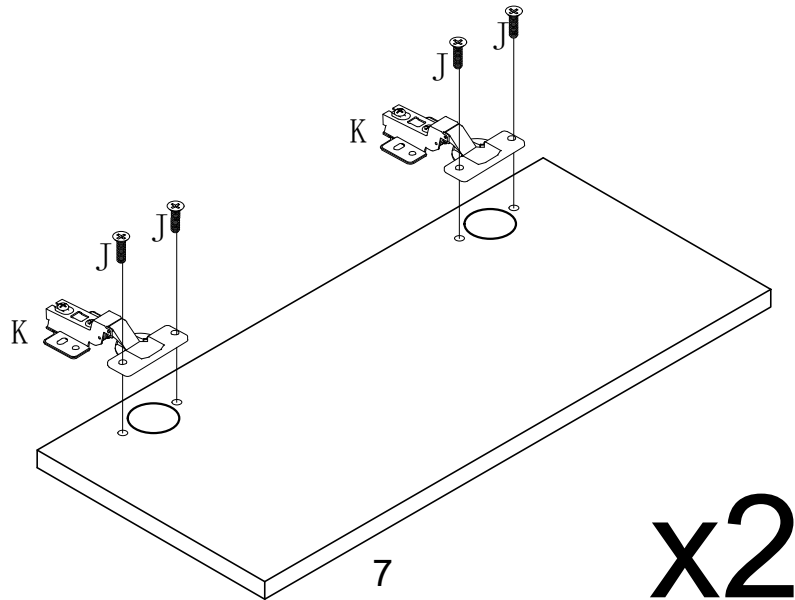
STEP 11



No. I
Quantity: 6 Pcs
Screw
5x80mm



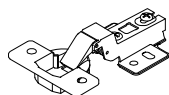
STEP 12



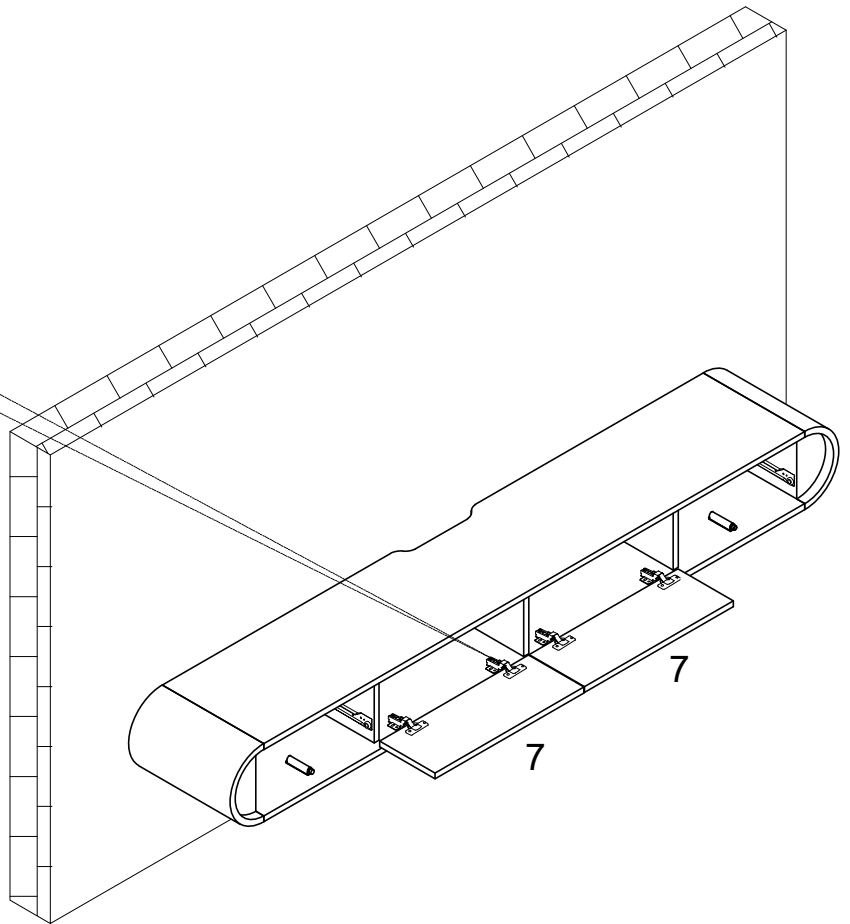
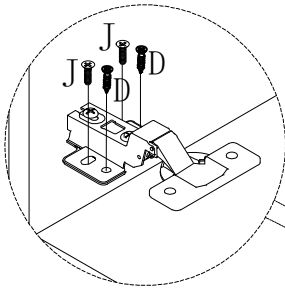
No. J
Quantity: 8 Pcs
Screw
4*16mm



No. K
Quantity: 4 Pcs
Hinge



STEP 13



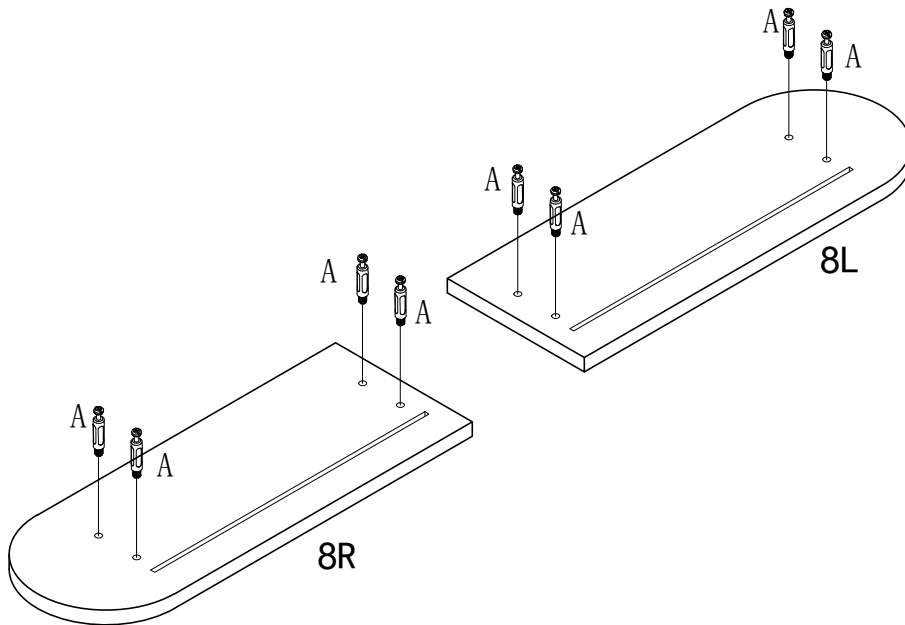
No. D
Quantity: 8 Pcs
Screw
4*14mm



No. J
Quantity: 8 Pcs
Screw
4*16mm



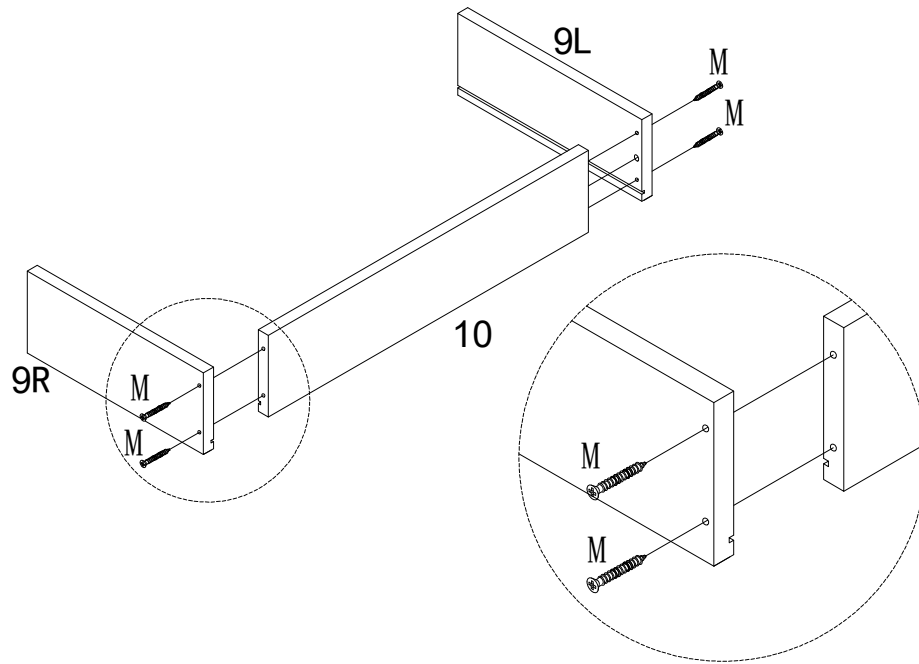
STEP 14



No. A
Quantity: 8 Pcs
Cam Lock Dowel
8*28 mm



STEP 15

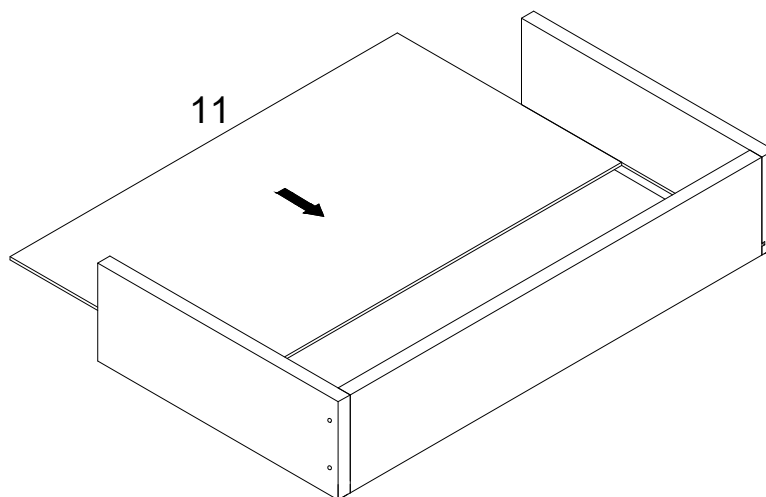


No. M
Quantity: 8 Pcs
Screw
4*30mm



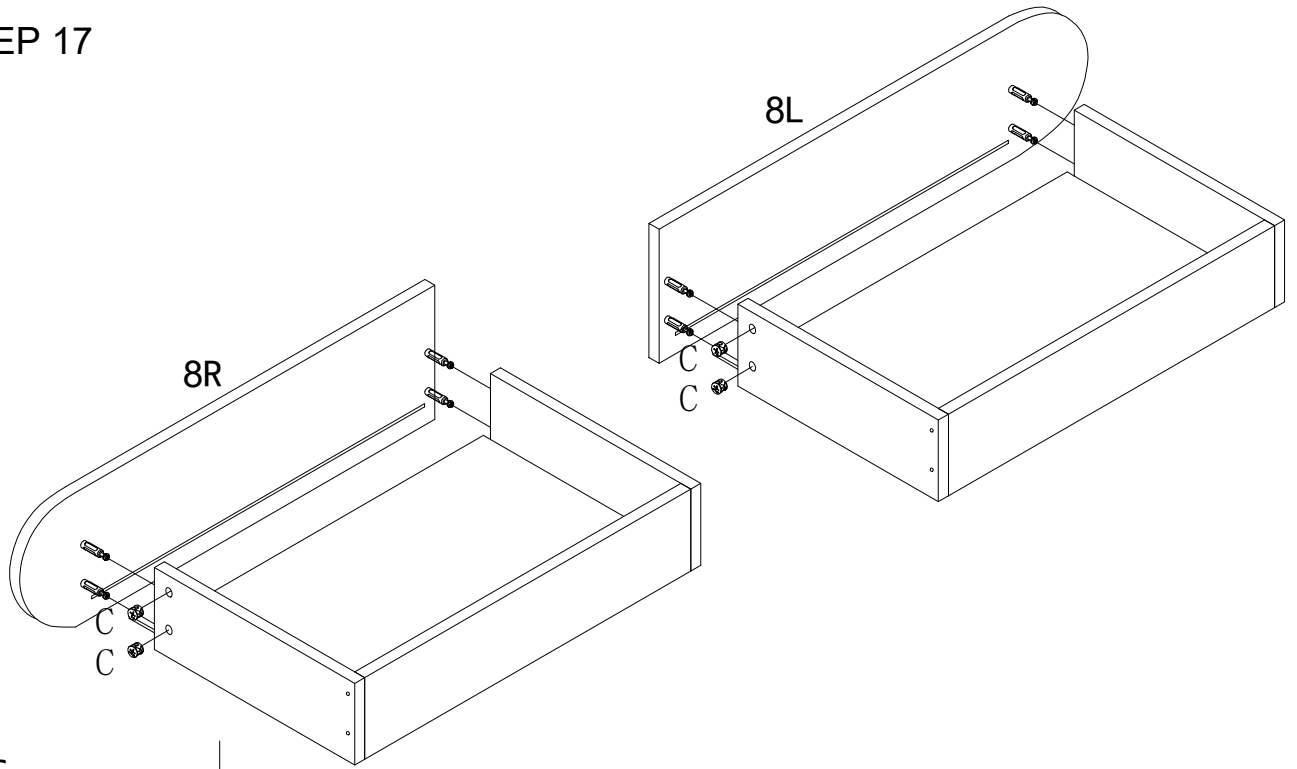
x2

STEP 16



x2

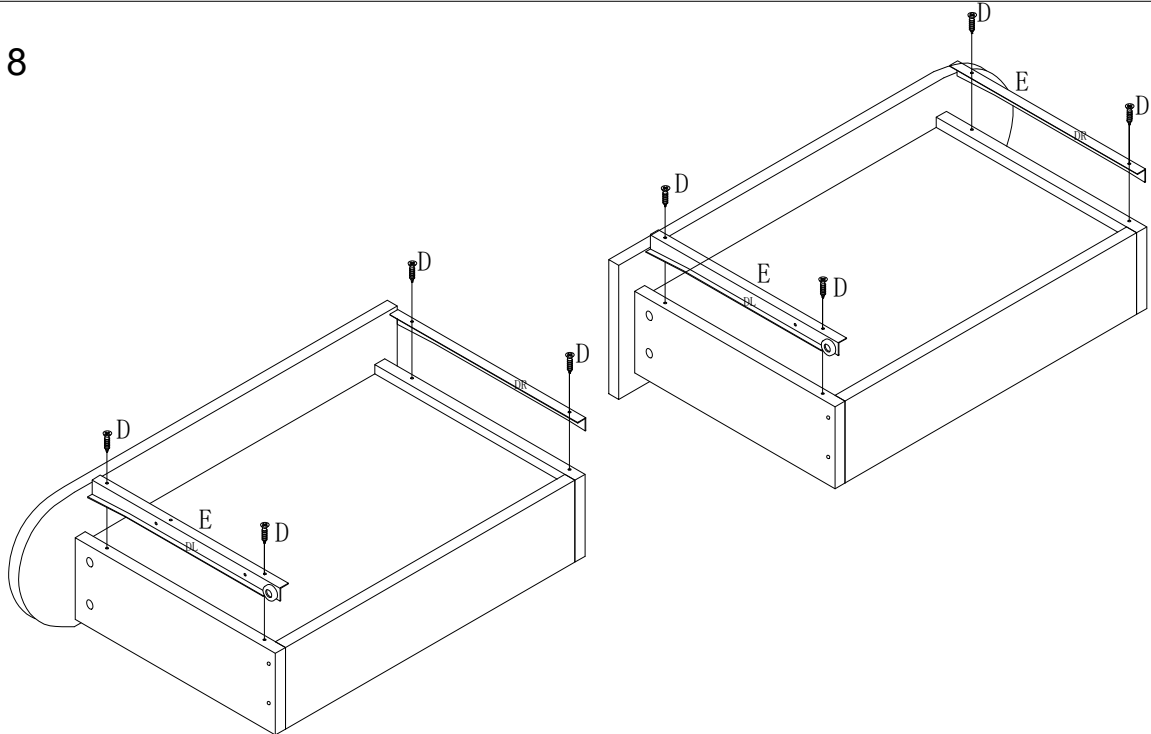
STEP 17



No. C
Quantity: 8 Pcs
Cam Lock



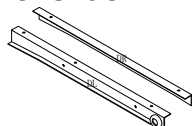
STEP 18



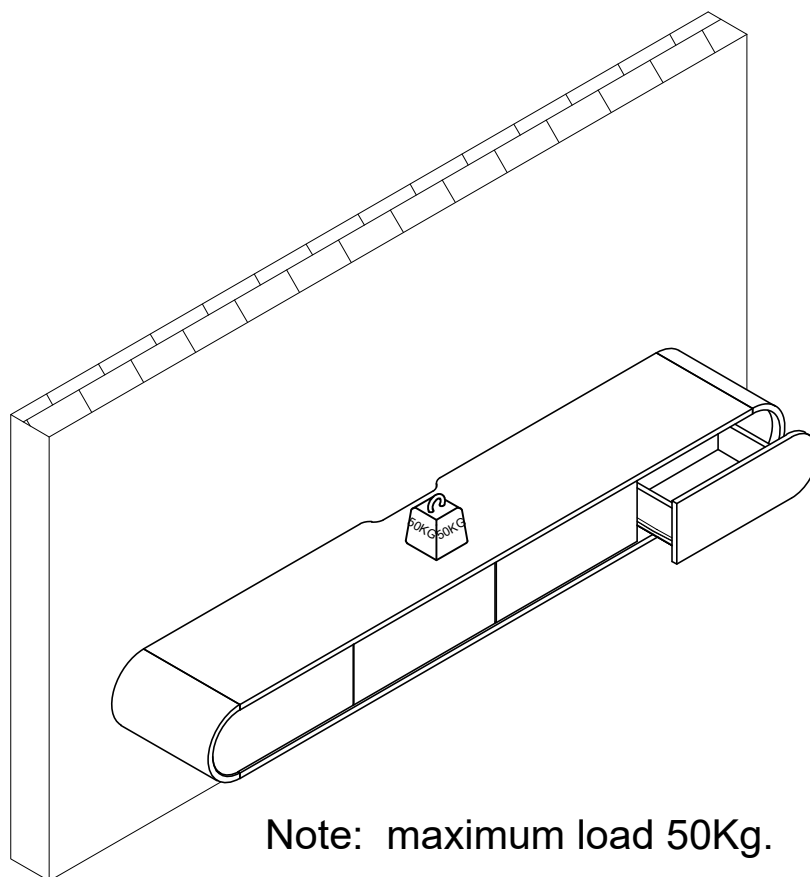
No. D
Quantity: 8 Pcs
Screw
4*14mm



No. E
Quantity: 2 Pcs
Drawer Slider
10"

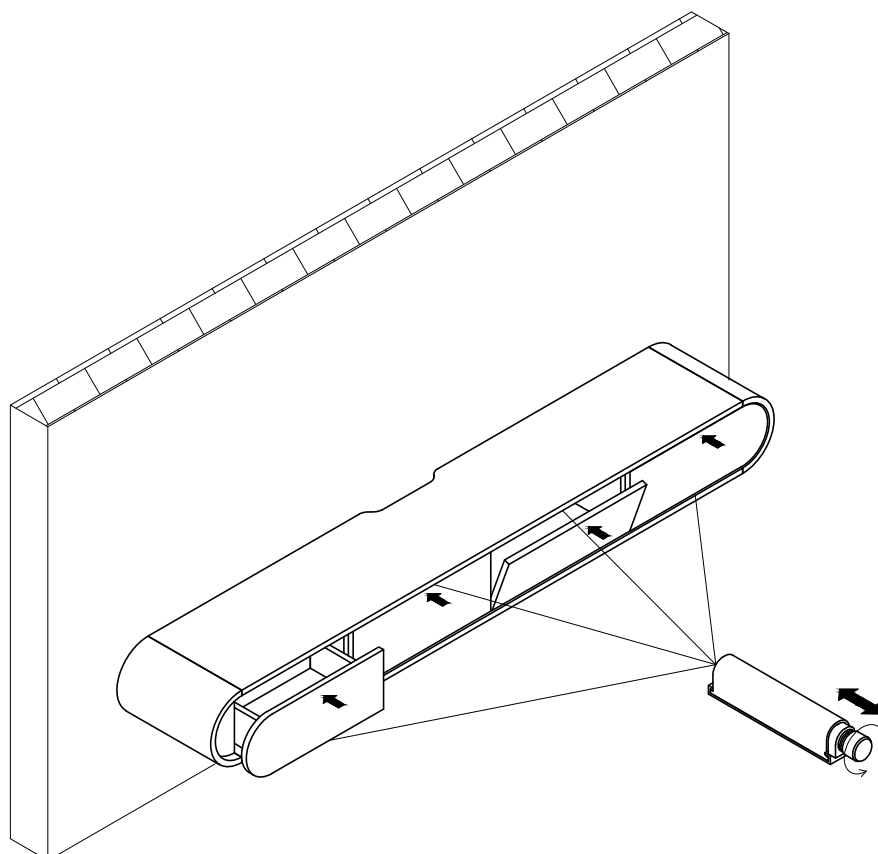


STEP 19



Note: maximum load 50Kg.

STEP 20



lifely.com.au

Great job. You're done!

Don't forget to share how it looks in
your space and tag us on Instagram.
[@lifelyhome](#)[#homewithlifely!](#)