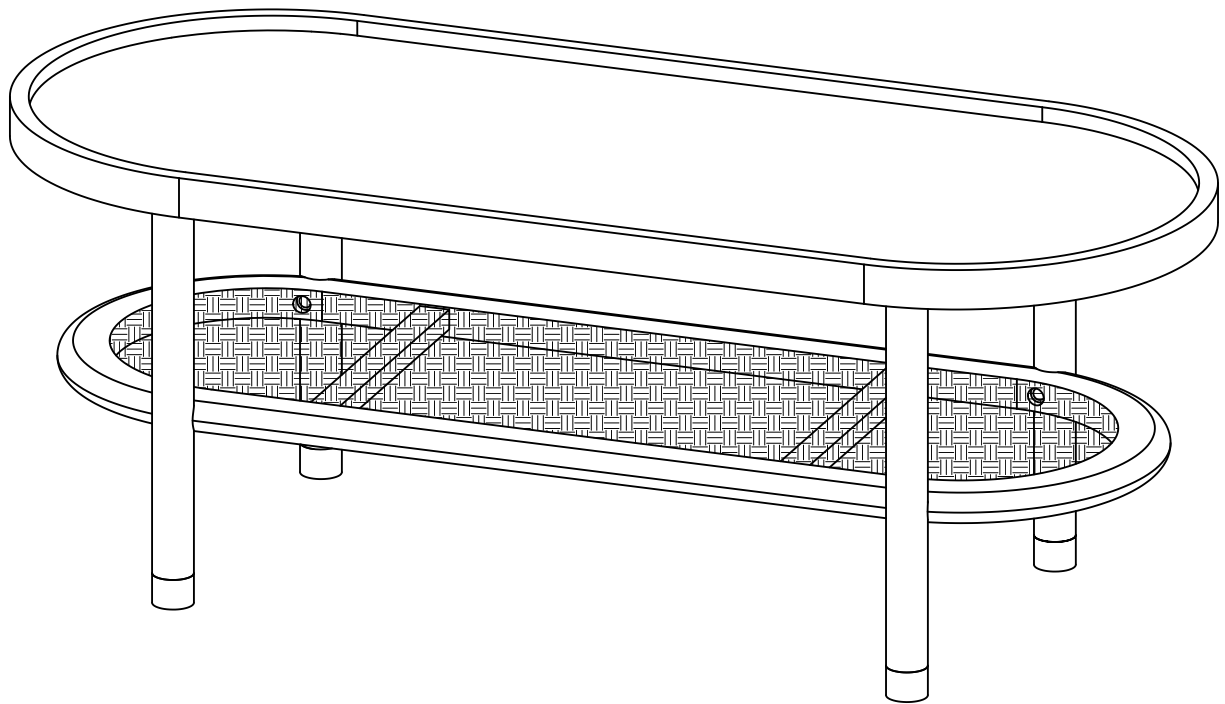


Assembly Instructions

Lauria Series



Lifely*

Product Name
LRIA-CT-OAK Lauria Coffee Table

Dimensions(W x D x H)
1200x500x450mm

Important
Please read through instruction carefully
Before assembly and keep for future reference.

For our full catalogue of assembly instructions,
Visit: lifely.com.au/assembly.

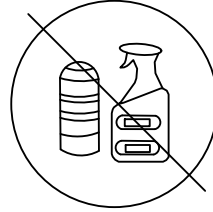
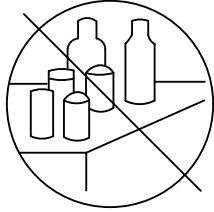
Important Tips and Maintenance



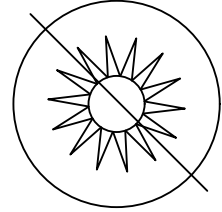
1. Keep children and animals away from working area as smaller parts may cause choking if swallowed



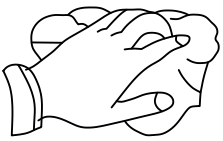
2. Never place liquids or anything damp upon furniture as it will mark. Ensure a coaster or running is beneath.



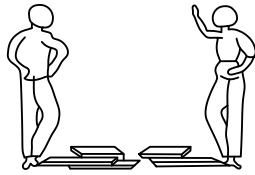
3. Never use ammonia based cleaning products as it will damage the finish.



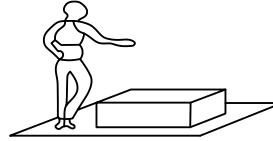
4. To avoid fading, keep furniture out of direct sunlight.



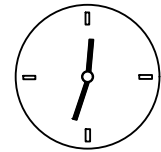
5. Use a soft or damp cloth (dry cloth) when wiping or cleaning surfaces.



6. Two person are required.



7. Lay a soft matt down to protect the furniture piece before and during assembly.



8. SET-UP TIME: 35 MINUTE

IMPORTANT

PLEASE READ THESE INSTRUCTION CAREFULLY BEFORE STARTING ASSEMBLY.

So your relationship is strong. But is it flat-pack furniture strong? Unless you're an aerospace engineer, assembling furniture can be slightly stressful. We recommend meditating quietly, pouring yourself a herbal tea (or slightly less herbal wine) and tackling things one step at a time. If you feel a passive aggressive remark coming on, try a compliment instead. E.g. "You're so good looking".

This 4-Step assembly should take around 35 minutes with an Allen Key or 25 minutes with an electric drill.
Godspeed.

Designed for everyday

Component Hardware

Please check you have all the fittings part or tools are listed in below.

No. A
Quantity:1Pc
Allen Key(M4)



No. B
Quantity:16Pcs
Screw M6*15mm



No. C
Quantity:4Pcs
Screw M6*45mm



No. D
Quantity:12Pcs
Screw M3.5*25mm



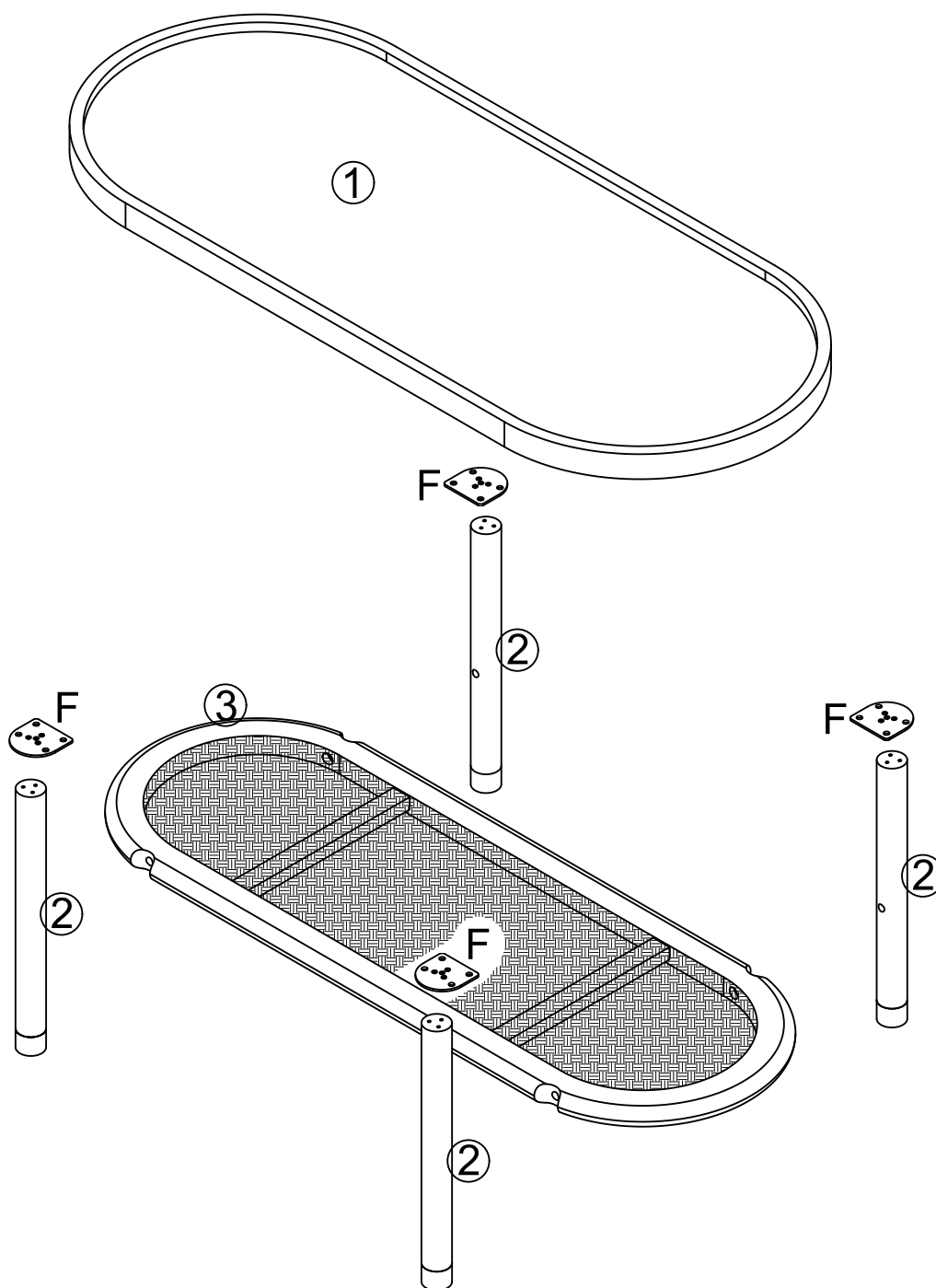
No. E
Quantity:4Pcs
Iron 70*70mm



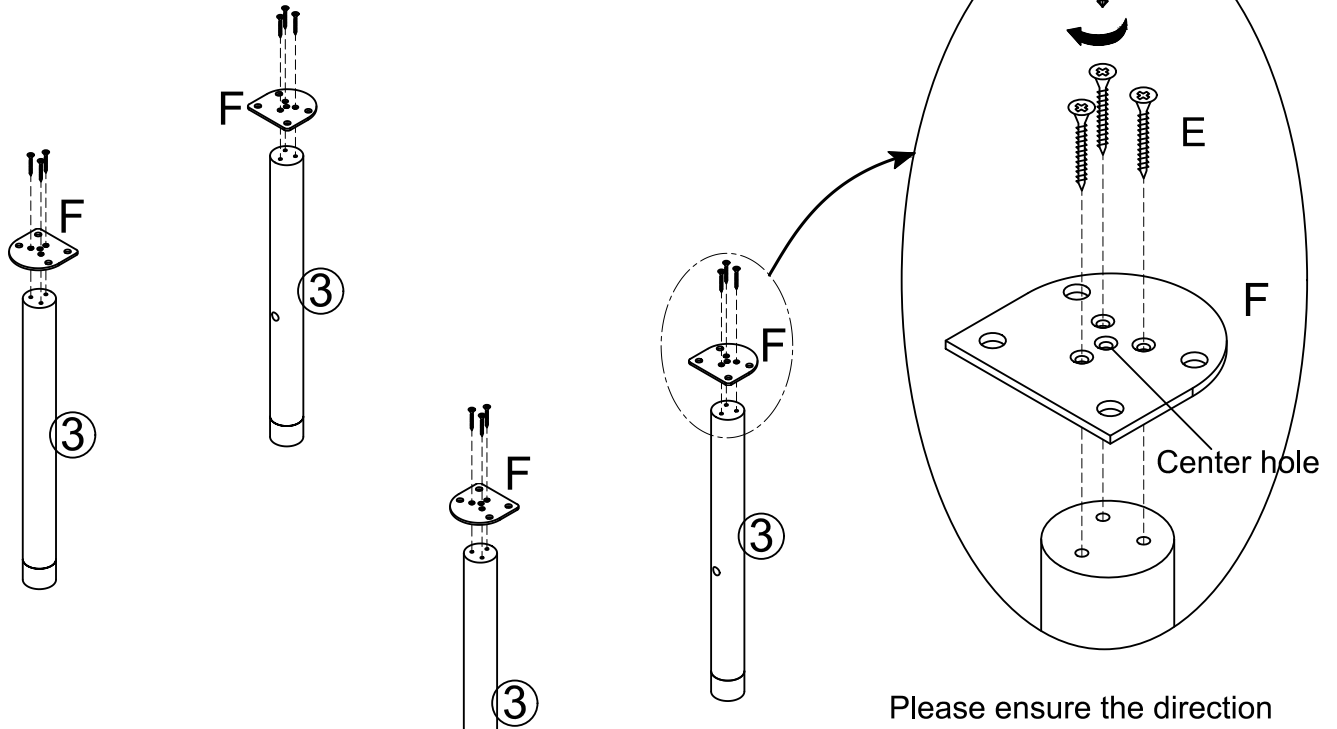
Component Panels & part List

Please check you have all the panels
are listed below.

1. Table top ----- x1
2. Legs ----- x4
3. Rattan shelf ----- x1



STEP 1



No. D
Quantity:12Pcs
Screw M3.5*25mm

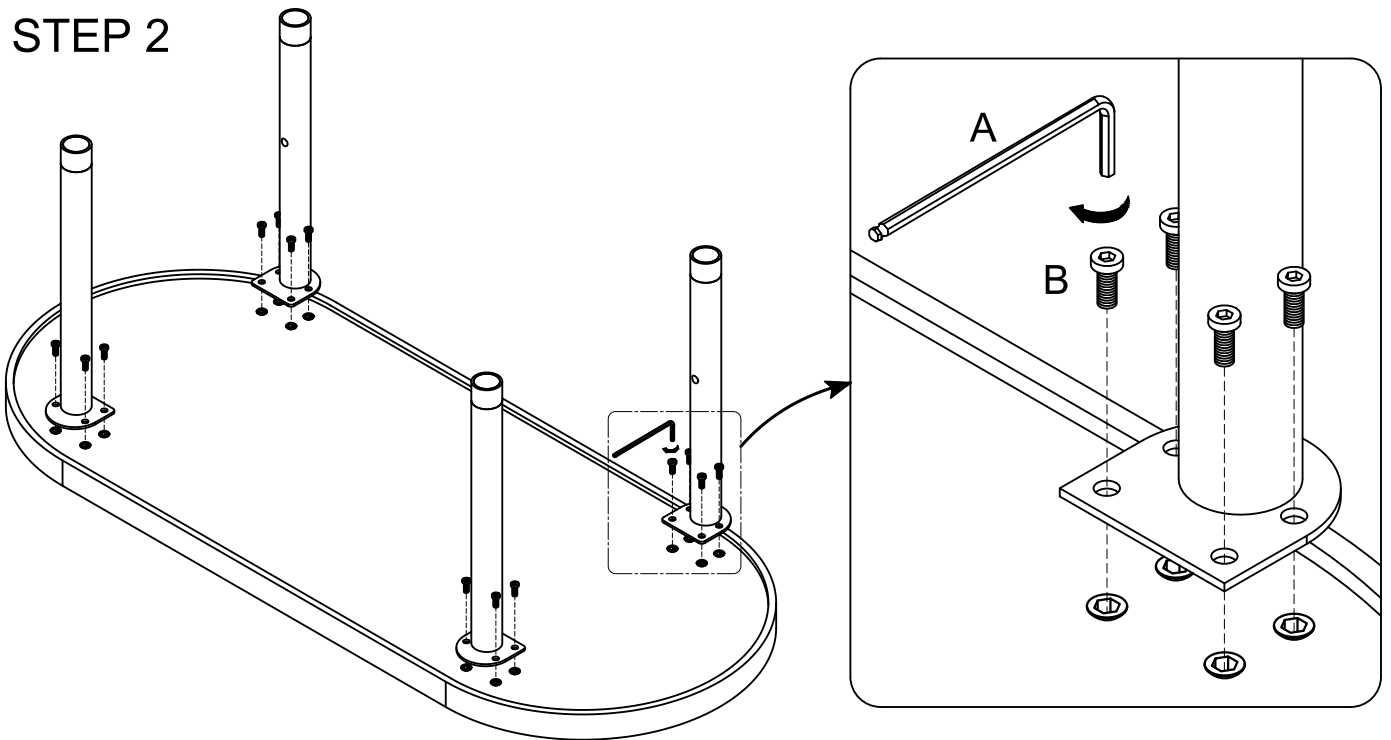


No. E
Quantity:4Pcs
Iron 70*70mm



Please ensure the direction of the Part F is correct before screw on legs, the straight edge should at the same side with the hole which on the middle of legs.

STEP 2



Please do not tighten all screws until finish all assembly!

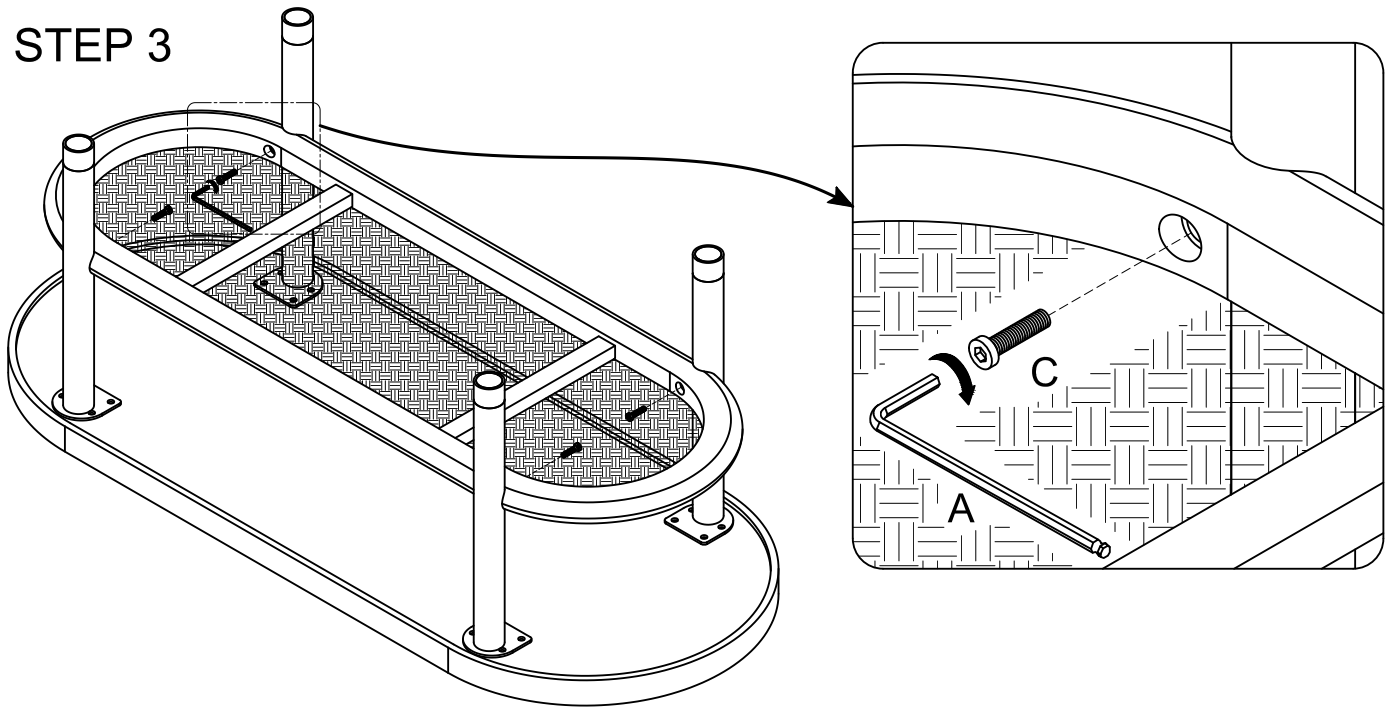
No. A
Quantity:1Pc
Allen Key(M4)



No. B
Quantity:16Pcs
Screw M6*15mm



STEP 3



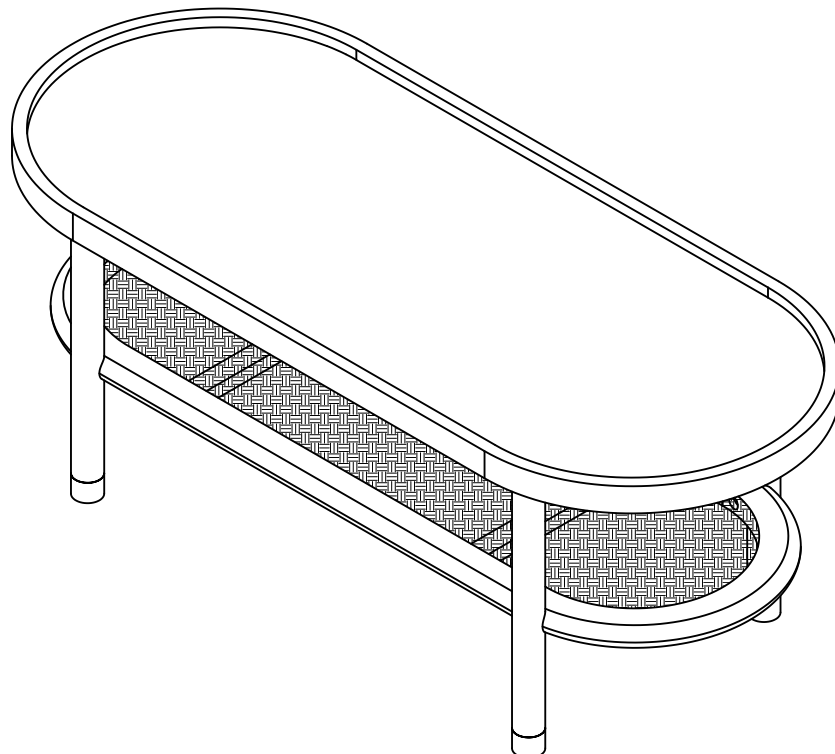
No. A
Quantity: 1Pc
Allen Key (M4)



No. C
Quantity: 4Pcs
Screw M6*45mm



STEP 4



Great job. You're done!

Don't forget to share how it looks in
your space and tag us on Instagram.

@lifelyhome #homewithlifely!