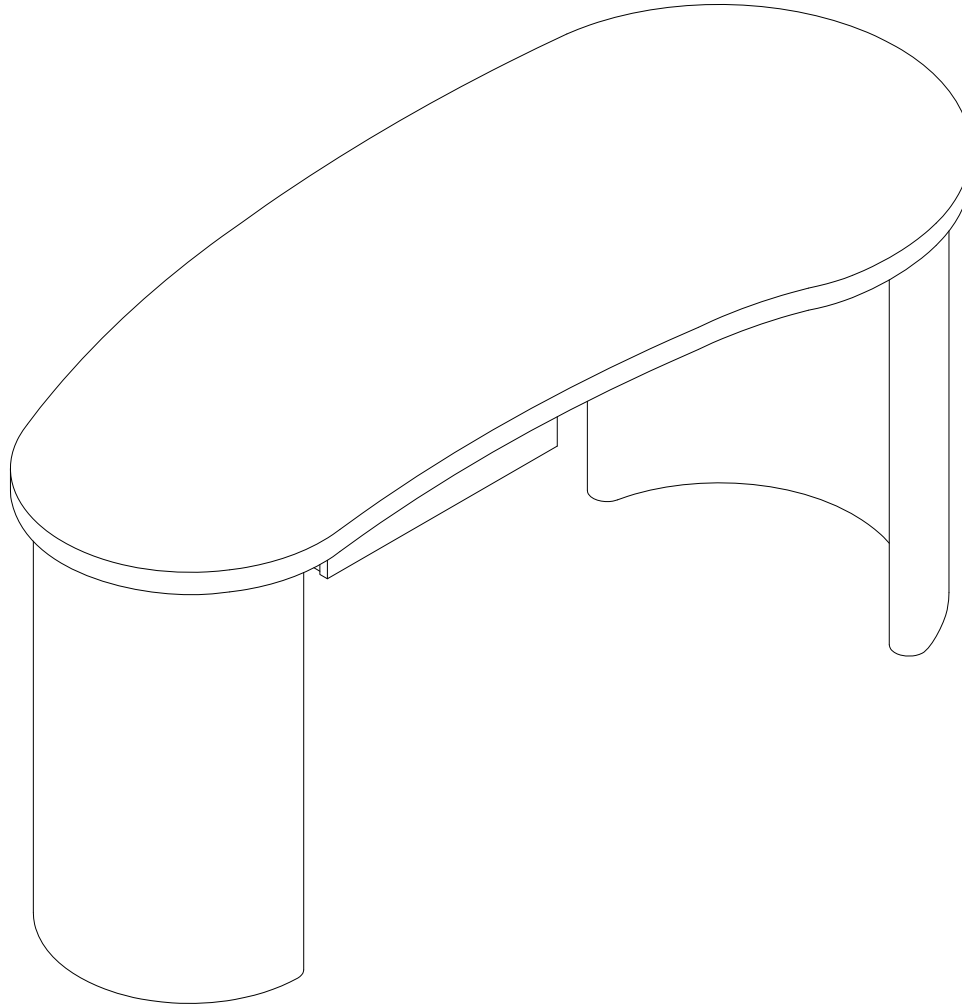


Assembly Instructions

Hudson Series



Lifely*

Product Code

HDSN-DK Hudson Office Desk

Dimensions (W x D x H)

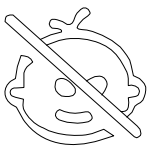
1676*711*760mm

Important

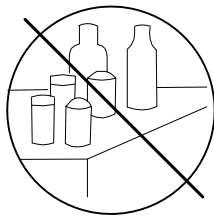
Please read through instruction carefully
Before assembly and keep for future reference.

For our full catalogue of assembly instructions,
Visit: lifely.com.au/assembly.

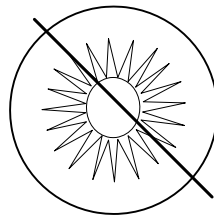
Important Tips and Maintenance



1. Keep children and animals away from working area as smaller parts may cause choking if swallowed.



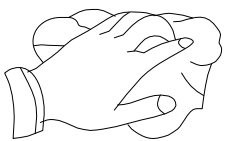
2. Never place liquids or anything damp upon furniture as it will mark. Ensure a coaster or running is beneath.



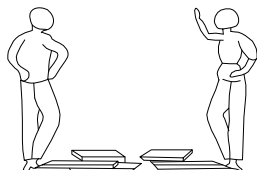
3. Never use ammonia based cleaning products as it will damage the finish.



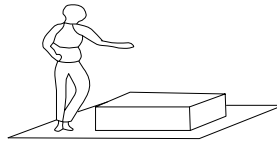
4. To avoid fading, keep furniture out of direct sunlight.



5. Use a soft or damp cloth(dry cloth)when wiping or cleaning surfaces.



6. Two person are required.



7. Lay a soft matt down to protect the furniture piece before and during assembly.

So your relationship is strong. But is it flat-pack furniture strong? Unless you're an aerospace engineer, assembling furniture can be slightly stressful. We recommend meditating quietly, pouring yourself a herbal tea (or slightly less herbal wine) and tackling things one step at a time. If you feel a passive aggressive remark coming on, try a compliment instead. E.g. "You're so good looking."

This 9-step assembly should take around 50 minutes with an Allen key - or 40 minutes with an electric drill.

Designed for everyday

Component Hardware

Please check you have all the fittings
part or tools are listed in below.

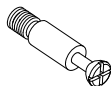
No. A

Quantity: 14Pcs
Cam Lock
 ϕ 15*10mm



No. B

Quantity: 14Pcs
Cam Lock Dowel
 ϕ 7*25



No. C

Quantity: 1Pc
Key



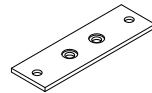
No. D

Quantity: 14 Pcs
Cover
 ϕ 21mm



No. E

Quantity: 6 Pcs
Metal Support



No. F

Quantity: 6Pcs
Wood Dowel
 ϕ 8*30mm



No. G

Quantity: 12 Pcs
Screw
 ϕ 3.5*14mm



No. H

Quantity: 24 Pcs
Screw
M6*18mm



No. I

Quantity: 4Pcs
Screw
 ϕ 4*35mm



No. J

Quantity: 4Pcs
EVA Pad
 ϕ 25mm



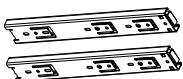
No. K

Quantity: 1 Pc
Key
4mm



No. L

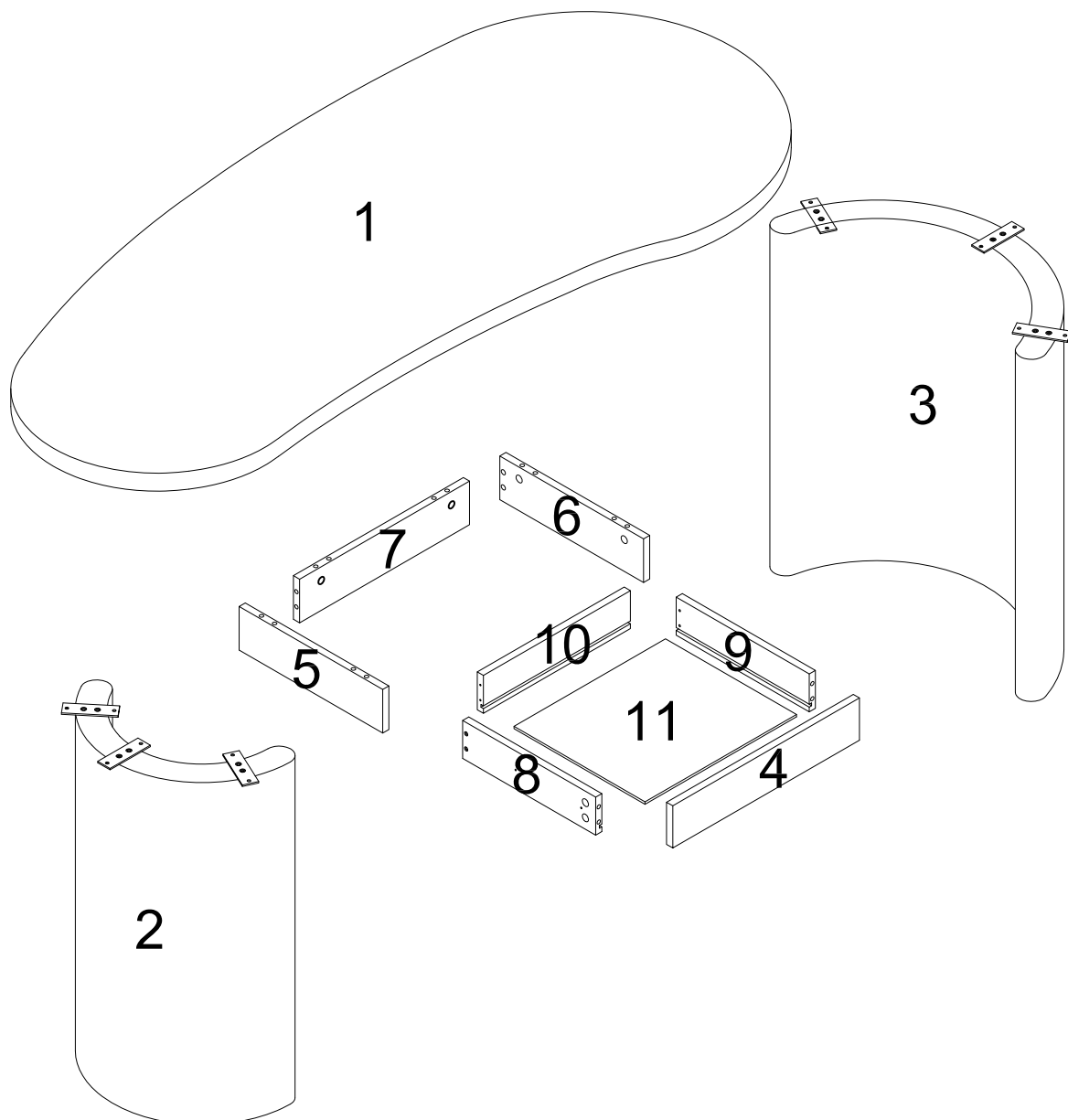
Quantity: 1 Set
3 Step Running
300mm



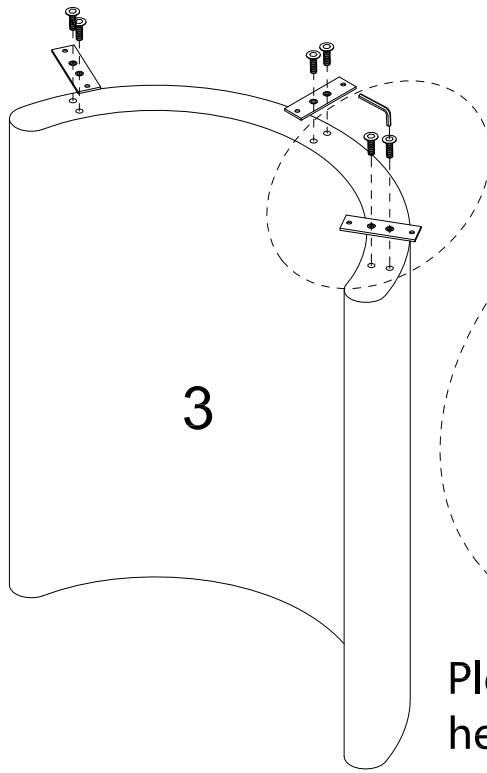
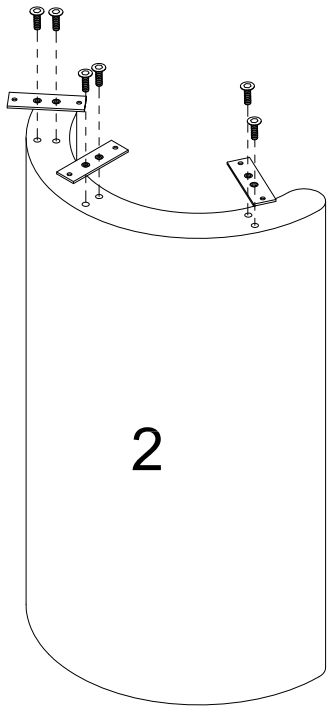
Component Panels & part List

Please check you have all the panels are listed below.

1. Top Panel -----x1 CTN 1/2
2. Left Leg-----x1 CTN 2/2
3. Right Leg-----x1 CTN 2/2
4. Drawer-face-----x1 CTN 2/2
5. Side Panel-Left-----x1 CTN 2/2
6. Side Panel-Right-----x1 CTN 2/2
7. Back Panel-----x1 CTN 2/2
8. Drawer Side Panel-Left--x1 CTN 2/2
9. Drawer Side Panel-Right--x1 CTN 2/2
10. Drawer Back Panel-----x1 CTN 2/2
11. Drawer Bottom Panel-----x1 CTN 2/2



STEP 1



Please put the ountersunk head side of part E upside as drawing shows.

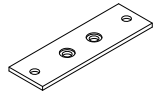
No. H
Quantity:12 Pcs



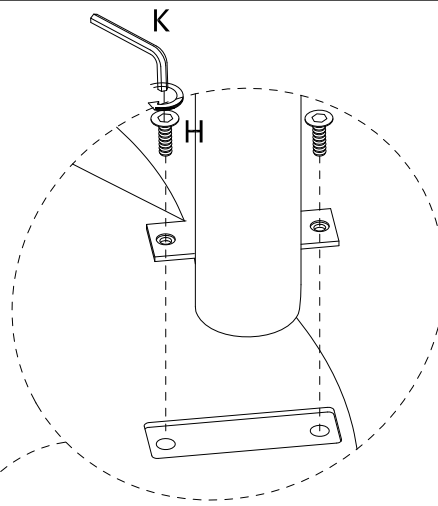
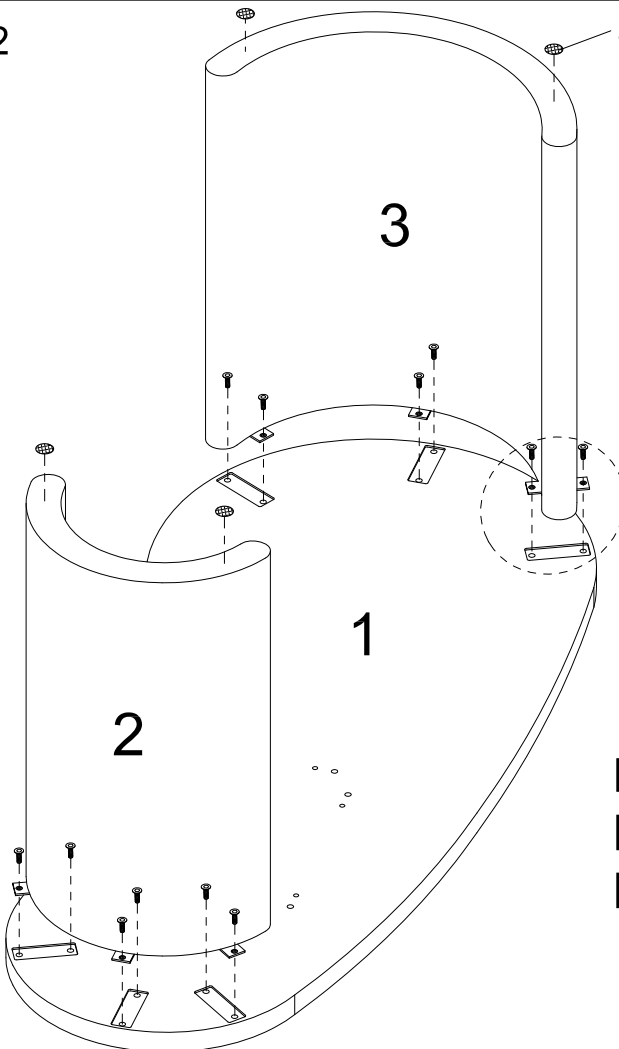
No. K
Quantity:1 Pc



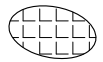
No. E
Quantity:6 Pcs



STEP 2



No. J
Quantity:4Pcs



No. K
Quantity:1 Pc

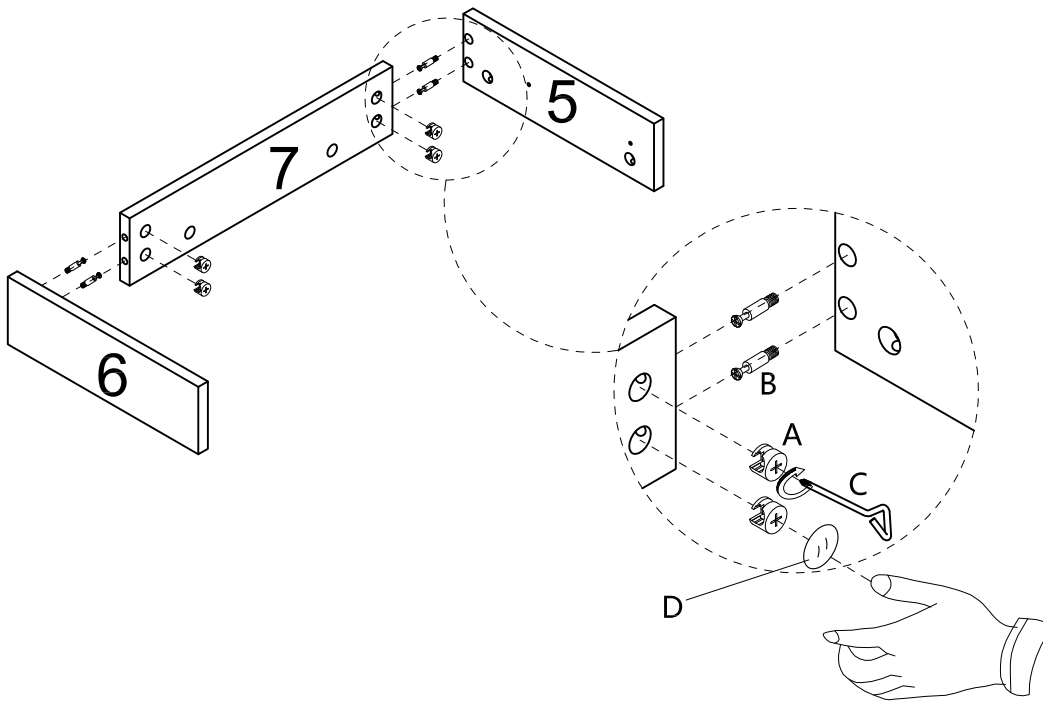


No. H
Quantity:12 Pcs



Please tighten all the screw "H" by hand first, then tighten fully by allen key.

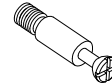
STEP 3



No. A
Quantity:4Pcs



No. B
Quantity:4Pcs



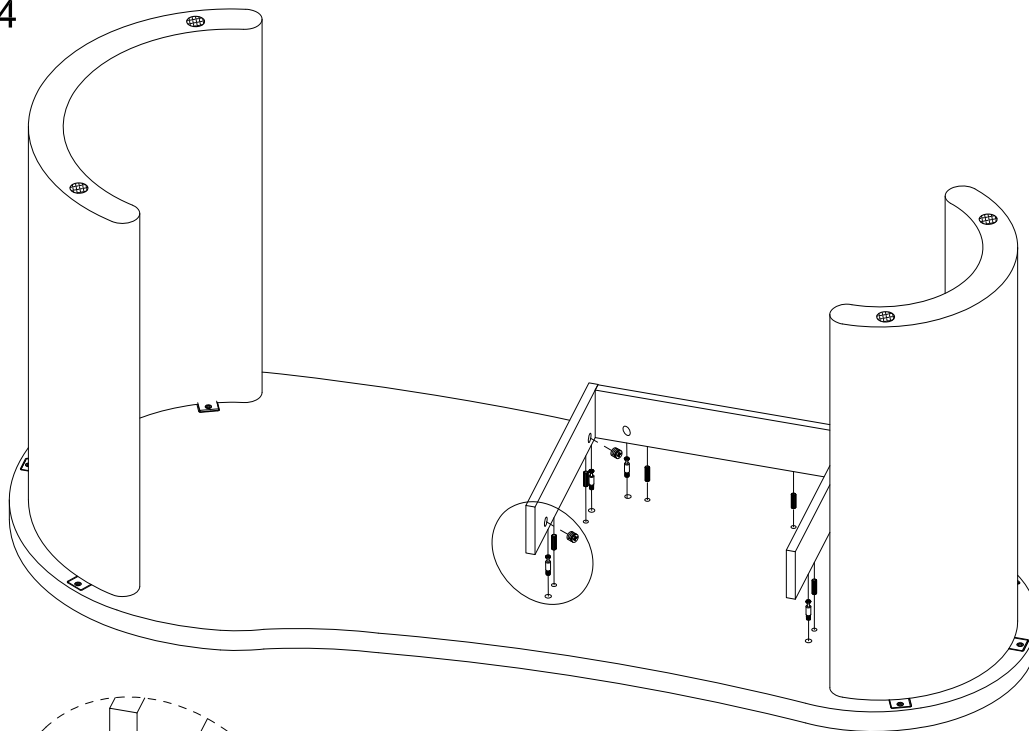
No. C
Quantity:1Pc



No. D
Quantity:4 Pcs
Cover
Φ 21mm



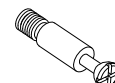
STEP 4



No. A
Quantity:6Pcs



No. B
Quantity:6Pcs



No. F
Quantity:6Pcs

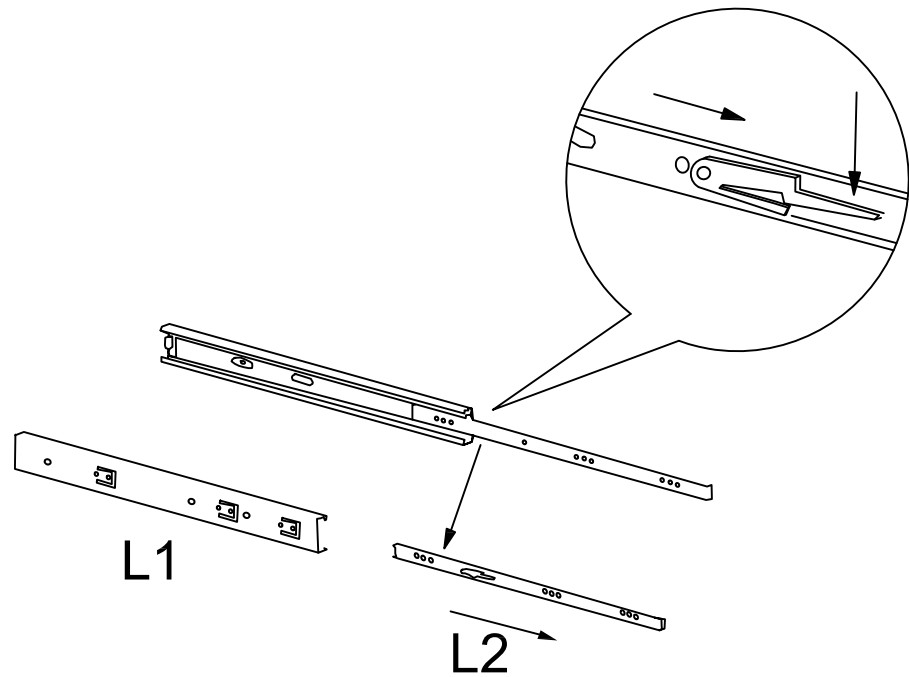


No. C
Quantity:1Pc

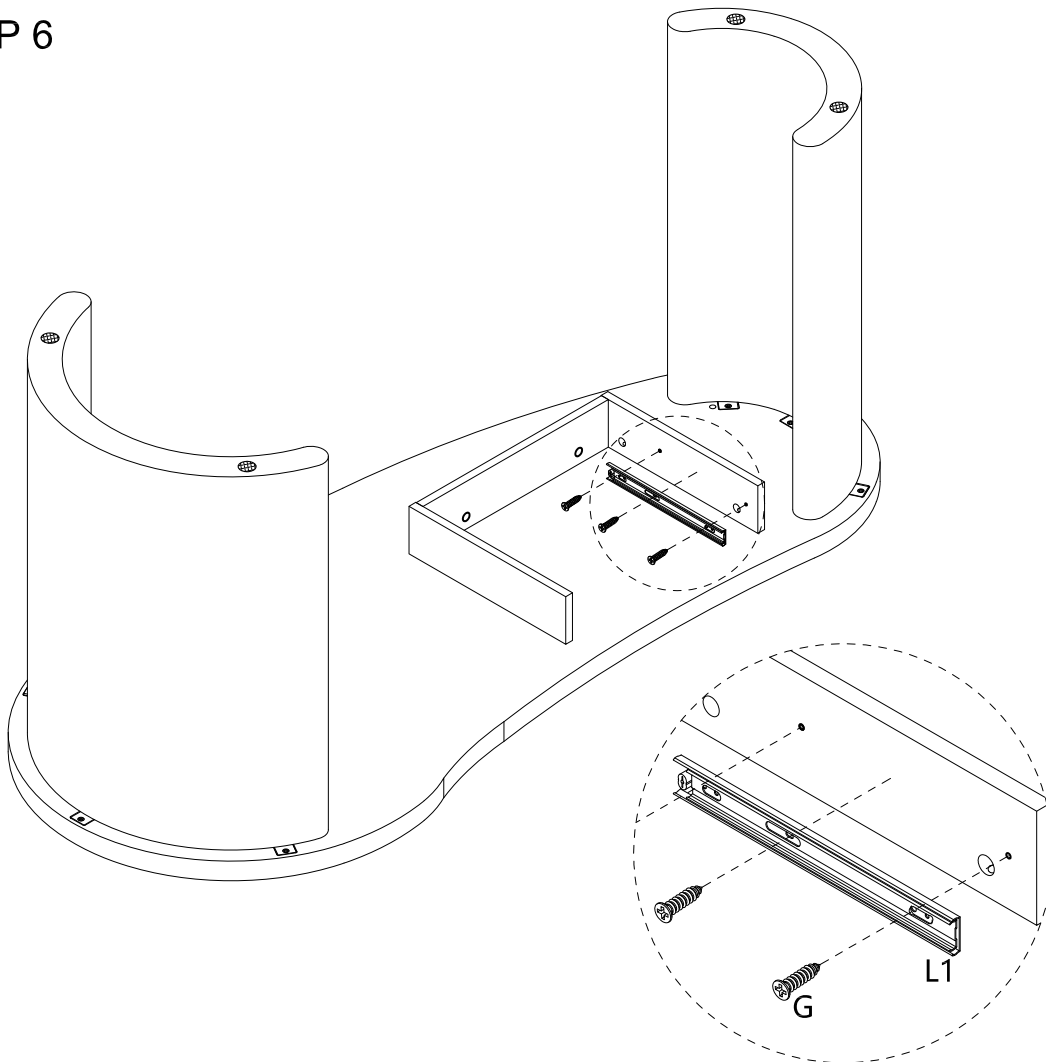


STEP 5

Drawer sliders Knock-down Instruction



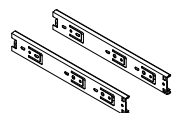
STEP 6



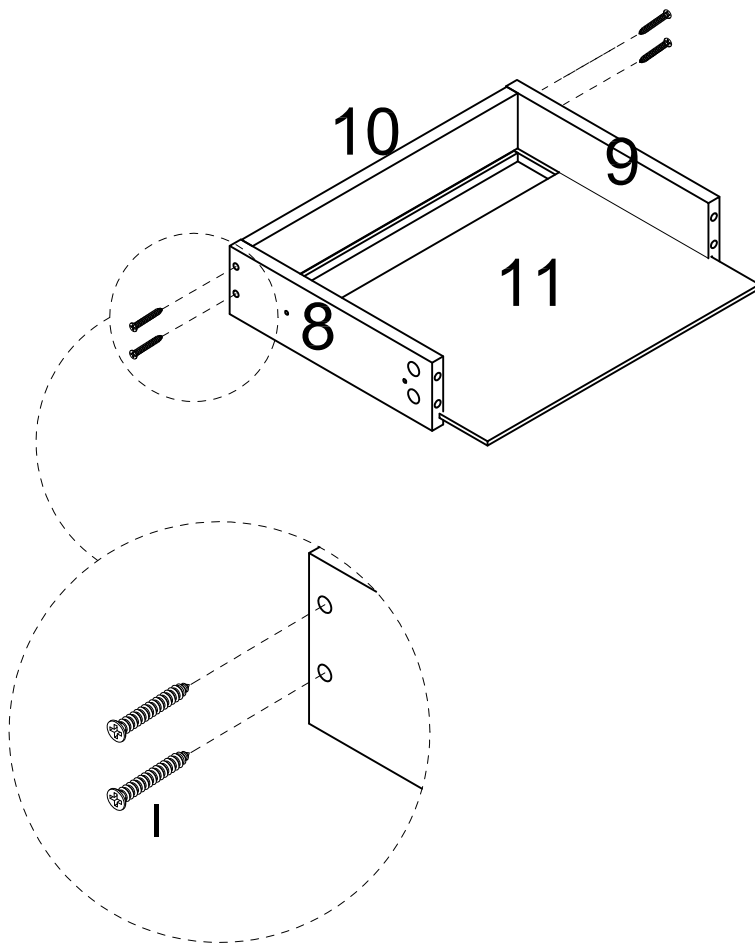
No. G
Quantity: 6 Pcs



No. L1
Quantity: 1 Set



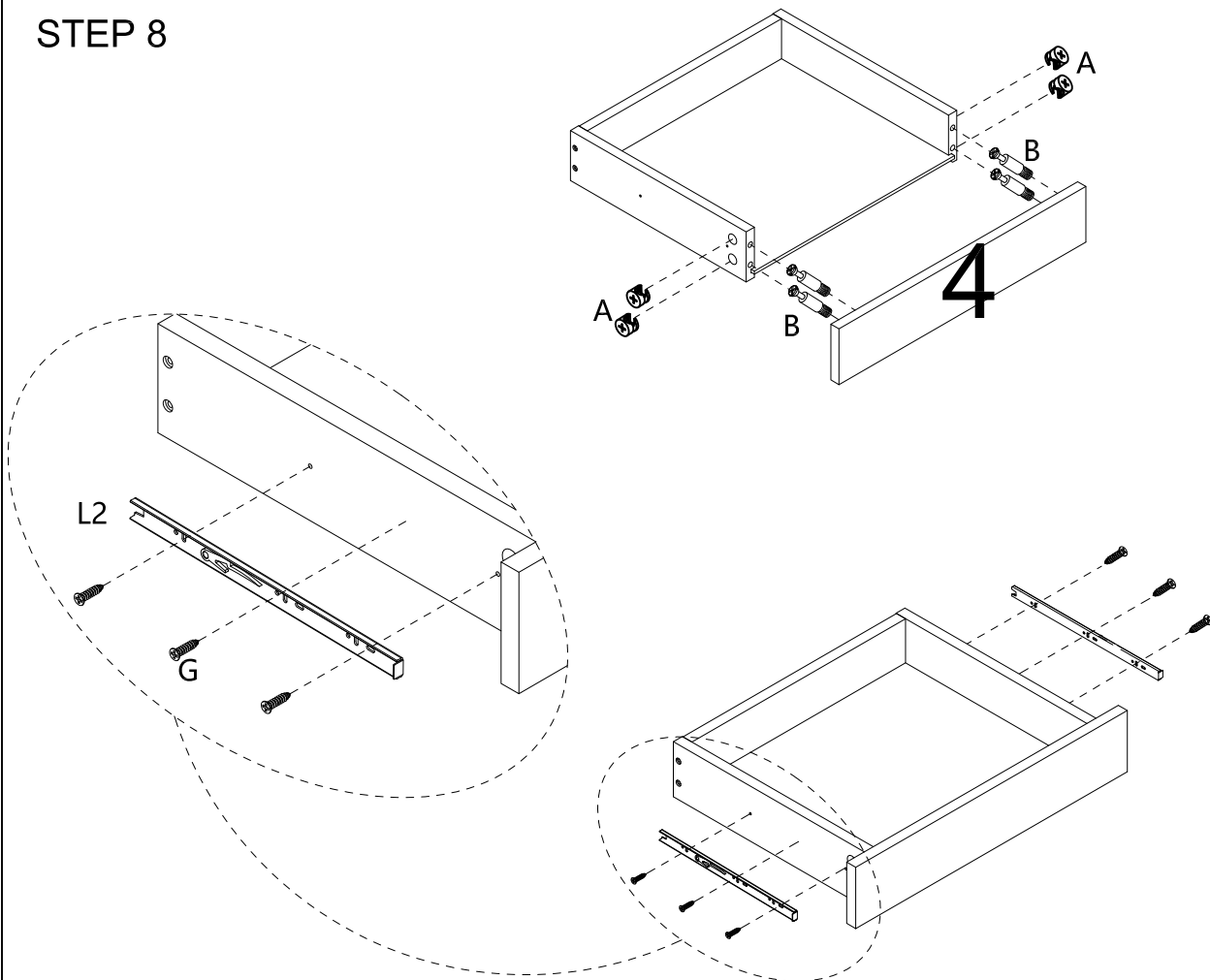
STEP 7



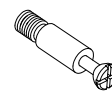
No. I
Quantity: 4Pcs



STEP 8



No. B
Quantity: 4Pcs



No. A
Quantity: 4Pcs



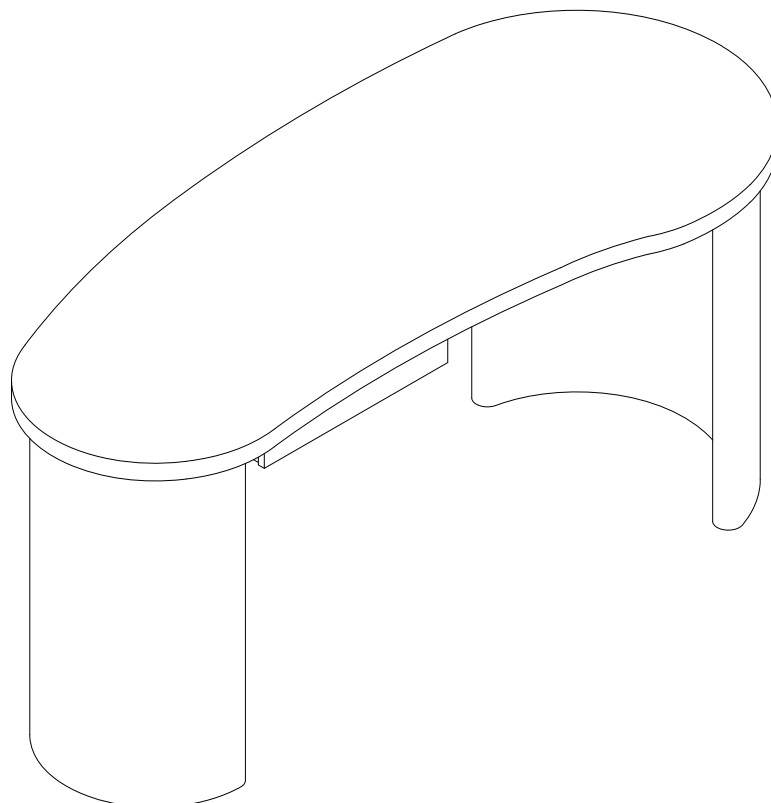
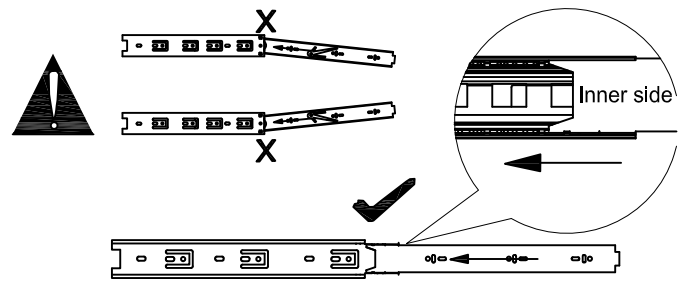
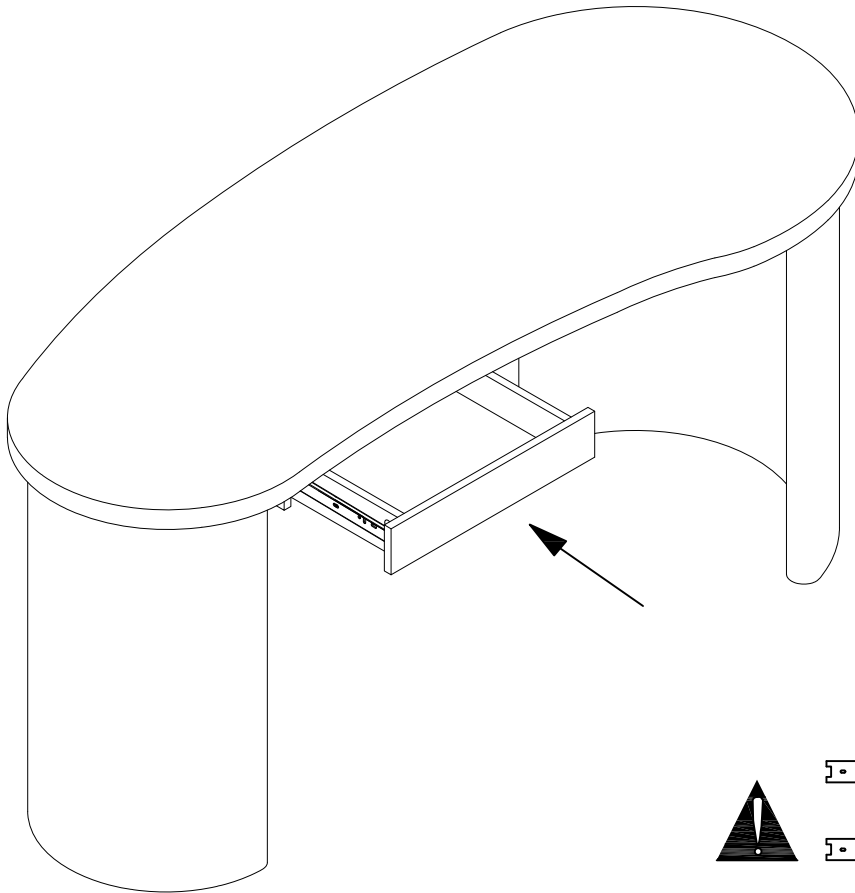
No. G
Quantity: 6 Pcs



No. L2
Quantity: 2 PCS



STEP 9



lifely.com.au

Great job. You're done!

Don't forget to share how it looks in
your space and tag us on Instagram.

@lifelyhome #homewithlifely!