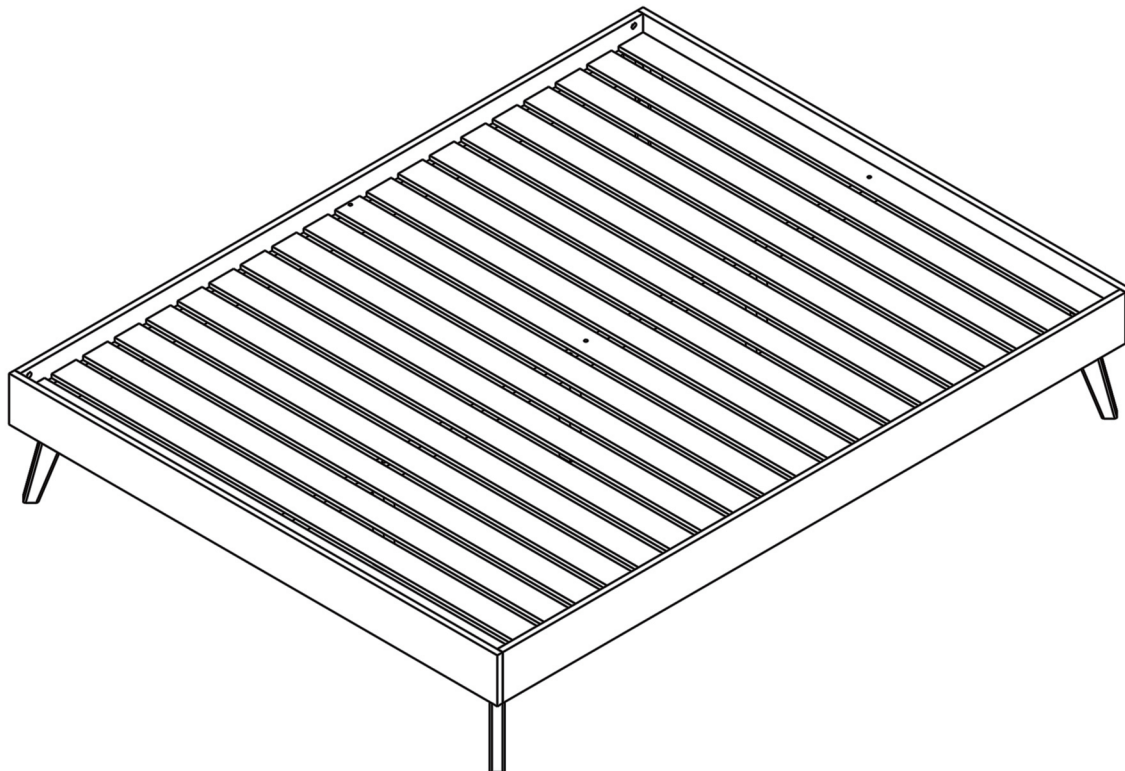


Assembly Instructions

CASA SERIES



Lifely*

Product Name

Casa Wooden Bed Base

Dimensions(W x D x H)

King Size:1912x2121x1000mm

Queen Size:1594x2121x1000mm

Double Size:1454x1971x1000mm

Important

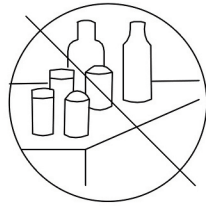
Please read through instruction carefully
Before assembly and keep for future reference.

For our full catalogue of assembly instructions,
Visit: lifely.com.au/assembly.

Important Tips and Maintenance



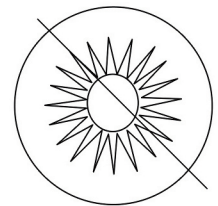
1. Keep children and animals away from working area as smaller parts may cause choking if swallowed.



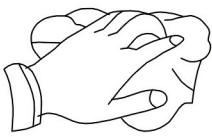
2. Never place liquids or anything damp upon furniture as it will mark. Ensure a coaster or running is beneath.



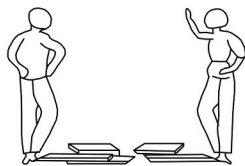
3. Never use ammonia based cleaning products as it will damage the finish.



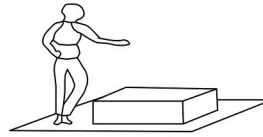
4. To avoid fading, keep furniture out of direct sunlight.



5. Use a soft or damp cloth (dry cloth) when wiping or cleaning surfaces.



6. Two person are required.



7. Lay a soft mat down to protect the furniture piece before and during assembly.

NOTICE:

DRAGGING MAY CAUSE THE CENTRAL LEGS FAILURE AFTER FINISH THE INSTALLATION, SUGGEST LIFTING THE BEDFRAME BY TWO PERSONS WHEN YOU WANT TO MOVE THE BEDFRAME.

IMPORTANT

PLEASE READ THESE INSTRUCTION CAREFULLY BEFORE STARTING ASSEMBLY

So your relationship is strong. But is it flat-pack furniture strong? Unless you're an aerospace engineer, assembling furniture can be slightly stressful. We recommend meditating quietly, pouring yourself a herbal tea (or slightly less herbal wine) and tackling things one step at a time. If you feel a passive aggressive remark coming on, try a compliment instead. E.g. "You're so good looking".

This 7-Step assembly should take around 30 minutes with an Allen Key-or 15 minutes with an electric drill. Godspeed.

Designed for everyday

Component Hardware

Please check you have all the fittings
part or tools are listed in below.

No. A
Quantity: 10Pcs
Cam Bolt



No. B
Quantity: 10Pcs
Cam Nut



No. C
Quantity: 10Pcs
Dowel



No. D
Quantity: 3Pcs
Iron sheets 50*30mm



No. E
Quantity: 24Pcs
Screw 4*20mm



No. F
Quantity: 1Pc
Allen Key (M4)



No. G
Quantity: 16Pcs
Screw $\varnothing 6 \times 70$ mm



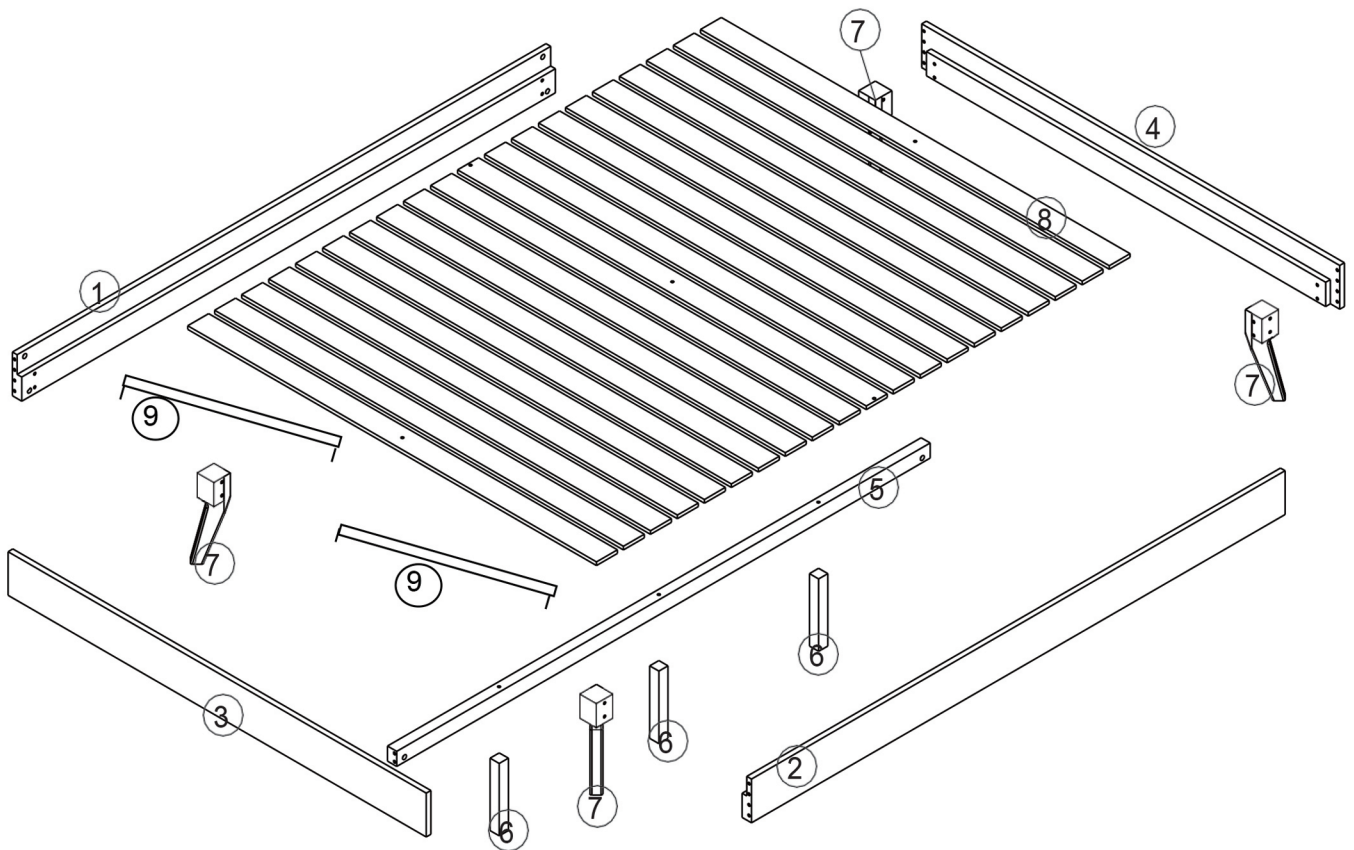
No. H
Quantity: 12Pcs
Screw 2*24mm



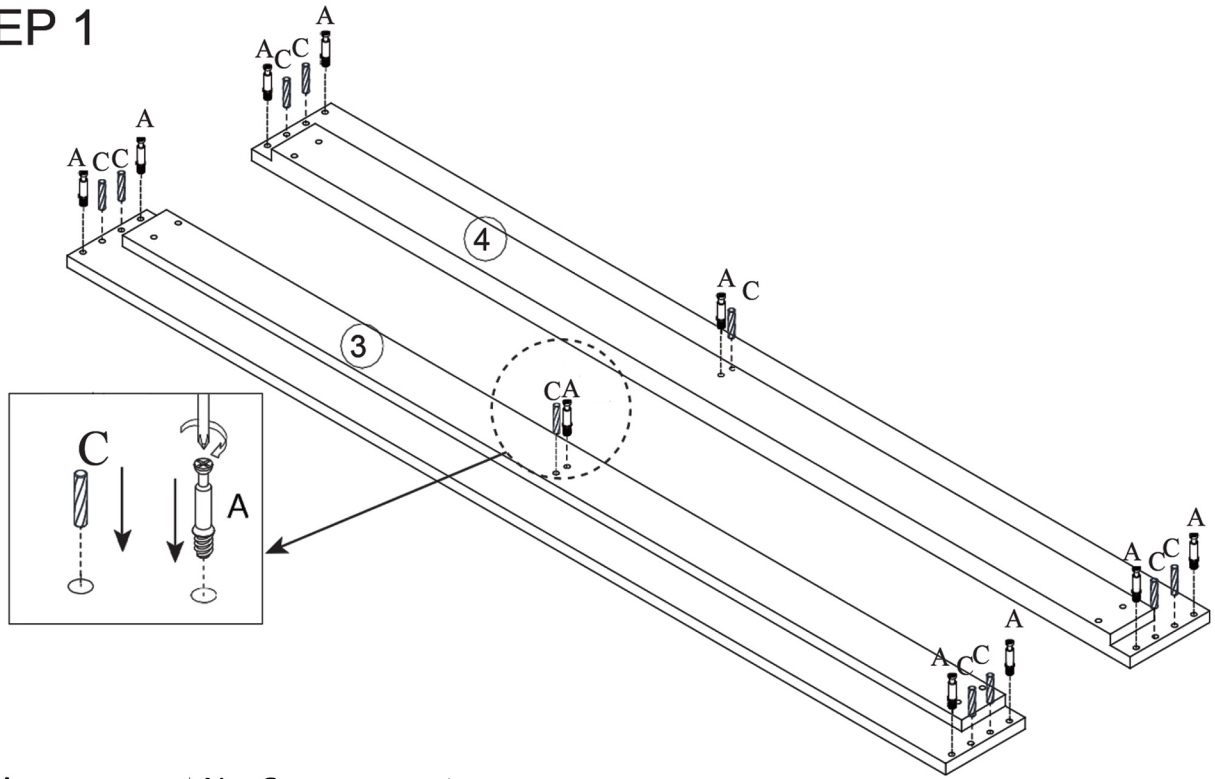
Component Panels & part List

Please check you have all the panels
are listed below.

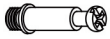
- | | | | | |
|----|--------------------|-------|----|------------|
| 1. | SIDE PANEL-L | ----- | x1 | Carton 1/2 |
| 2. | SIDE PANEL-R | ----- | x1 | Carton 1/2 |
| 3. | BED END-2 | ----- | x1 | Carton 1/2 |
| 4. | BED END-1 | ----- | x1 | Carton 1/2 |
| 5. | MIDDLE SUPPORT BAR | ----- | x1 | Carton 1/2 |
| 6. | MIDDLE SUPPORT LEG | ----- | x3 | Carton 1/2 |
| 7. | BED LEG | ----- | x4 | Carton 1/2 |
| 8. | BED SLATS | ----- | x1 | Carton 2/2 |
| 9. | CONNECTING BAR | ----- | x2 | Carton 1/2 |



STEP 1



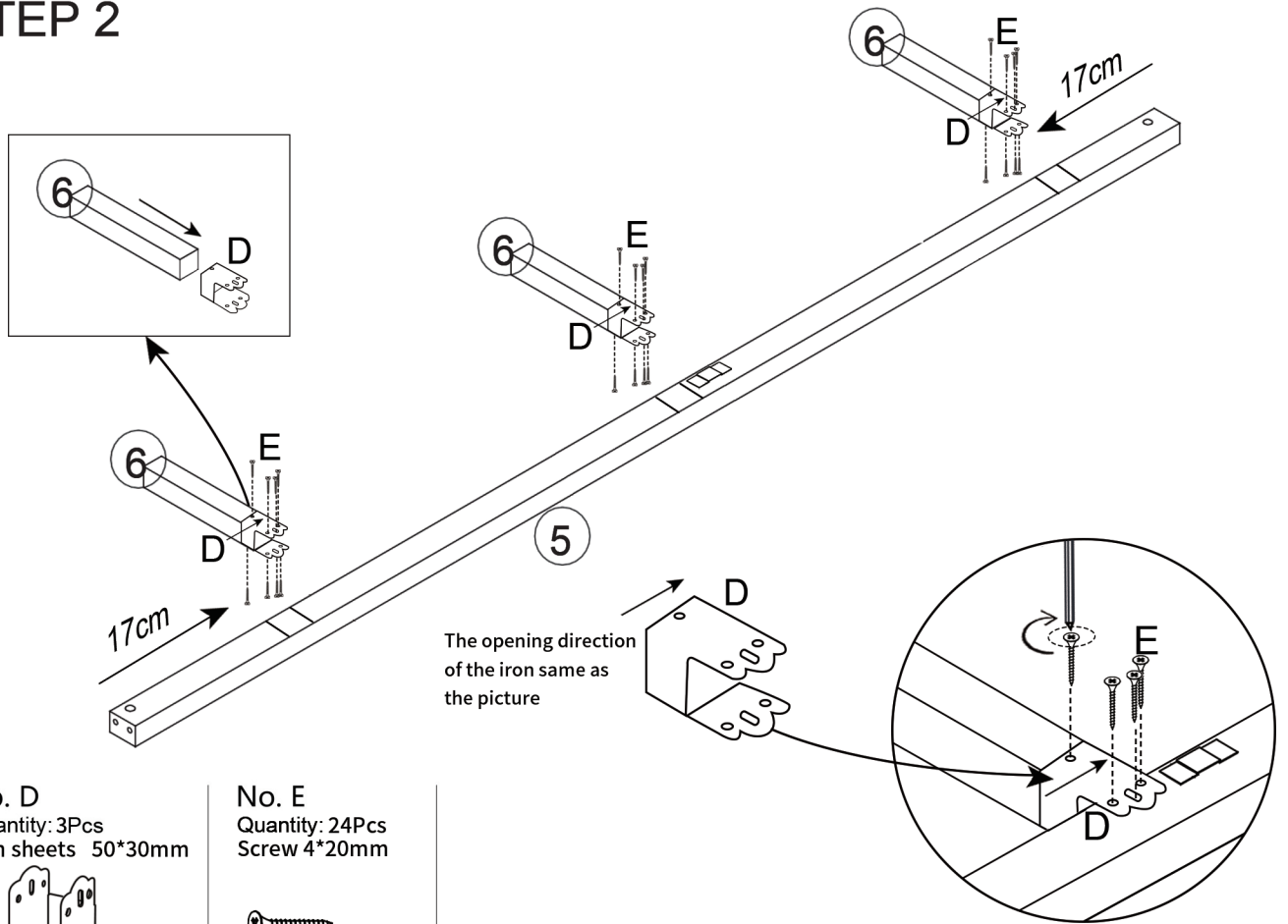
No. A
Quantity: 10Pcs
Cam Bolt



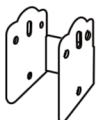
No. C
Quantity: 10Pcs
Dowel



STEP 2



No. D
Quantity: 3Pcs
Iron sheets 50*30mm

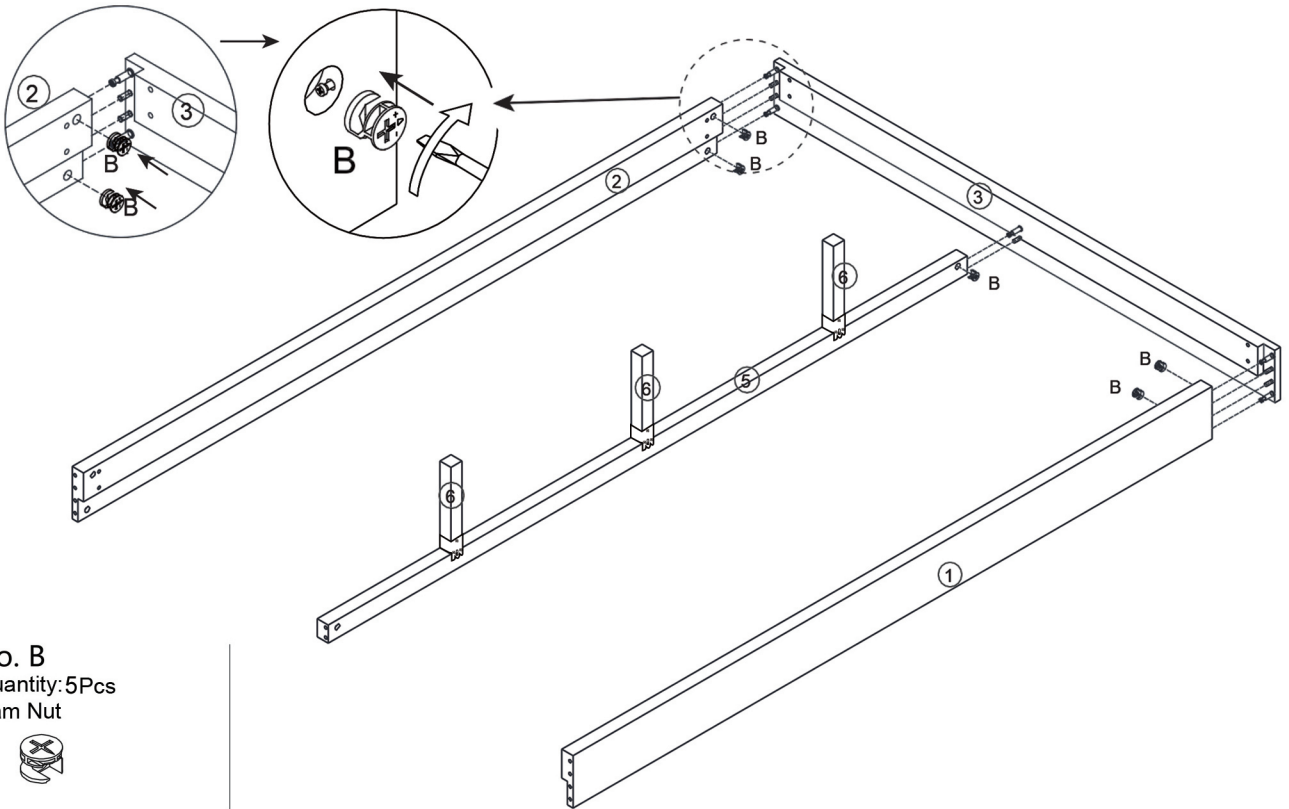


No. E
Quantity: 24Pcs
Screw 4*20mm



The opening direction
of the iron same as
the picture

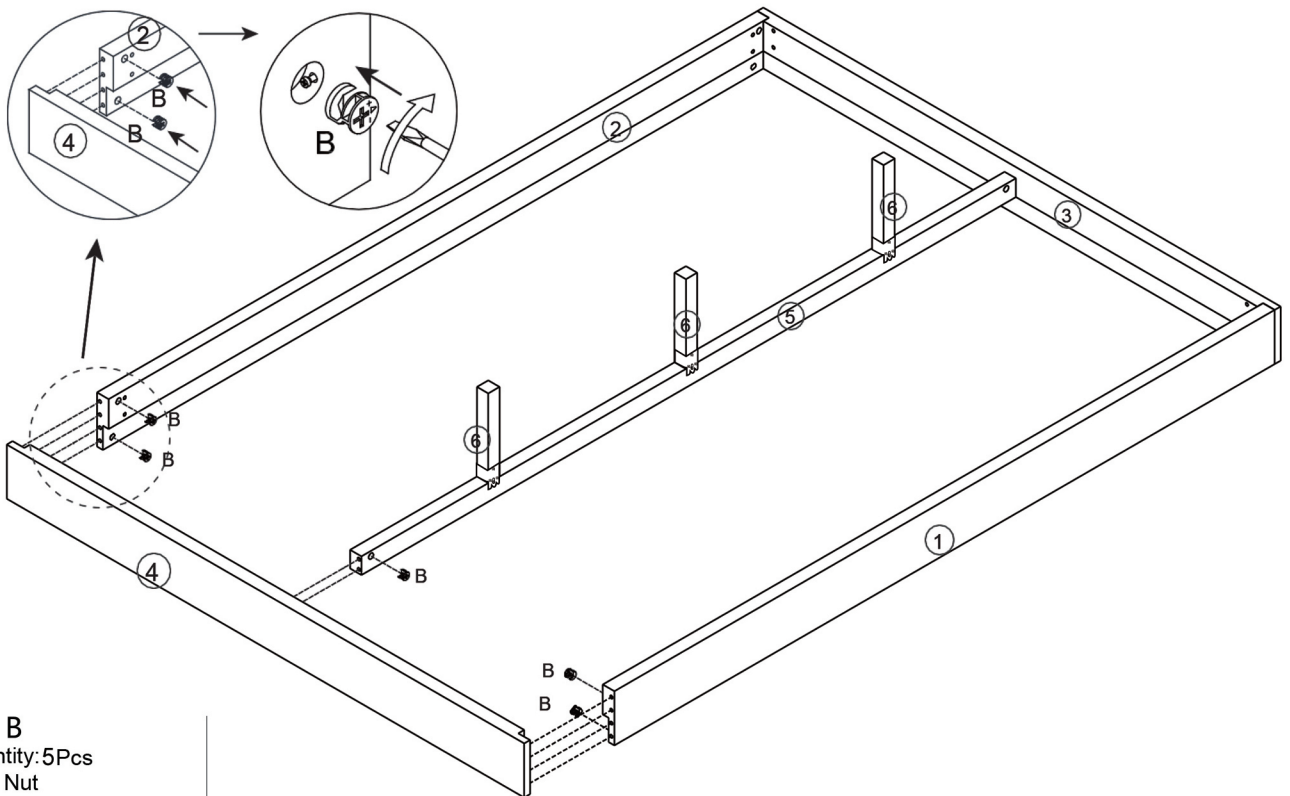
STEP 3



No. B
Quantity: 5Pcs
Cam Nut



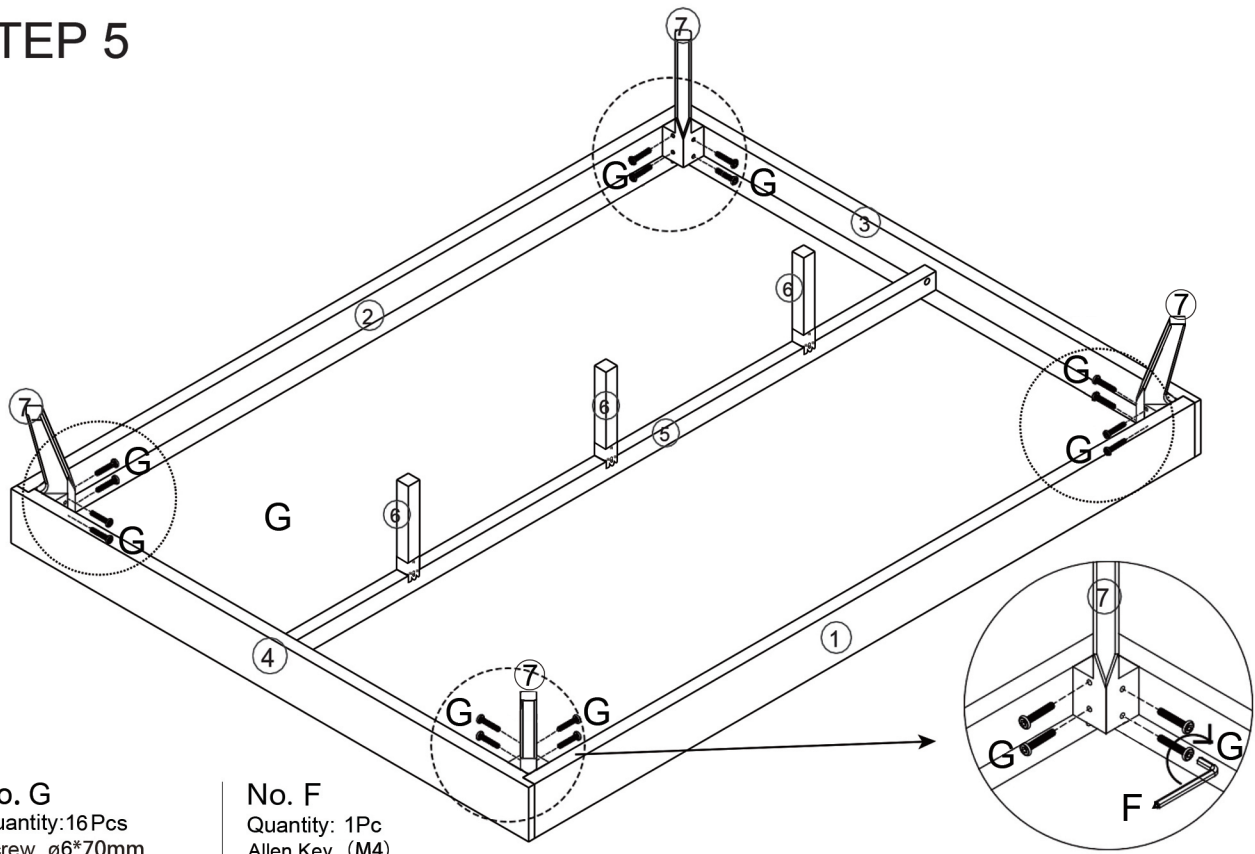
STEP 4



No. B
Quantity: 5Pcs
Cam Nut



STEP 5



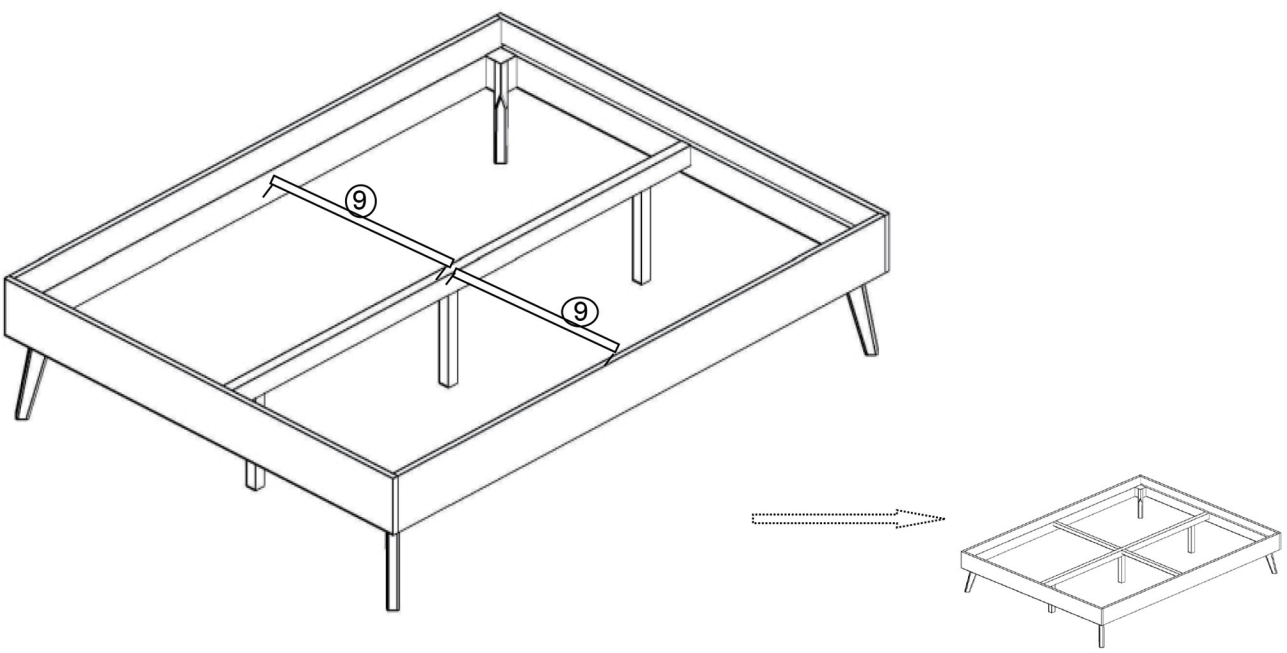
No. G
Quantity: 16 Pcs
Screw $\phi 6 \times 70 \text{mm}$



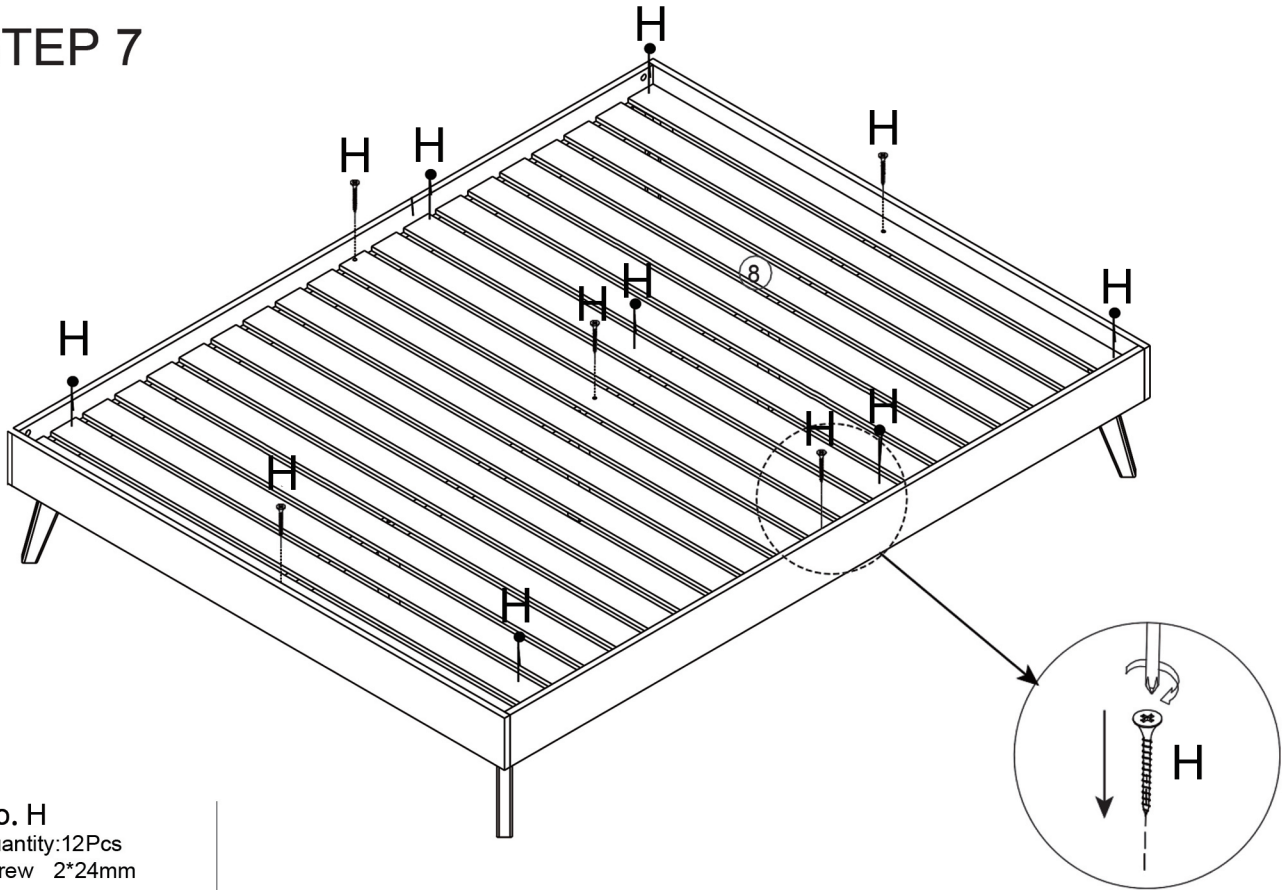
No. F
Quantity: 1 Pc
Allen Key (M4)



STEP 6



STEP 7



No. H
Quantity: 12Pcs
Screw 2*24mm



lifely.com.au

Great job. You're done!

Don't forget to share how it looks in
your space and tag us on Instagram.

@lifelyhome#homewithlifely!