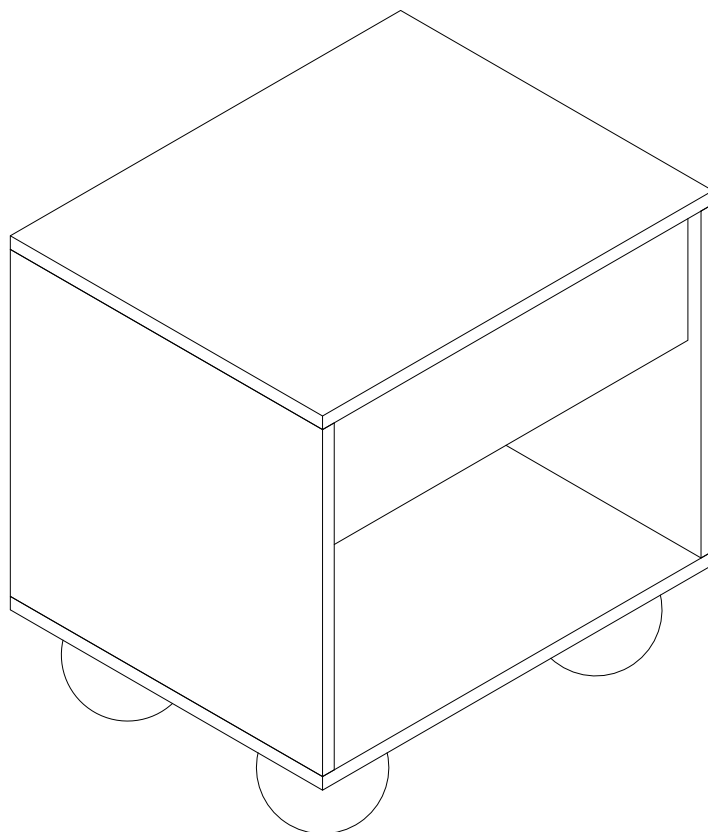


Assembly Instructions

Ballico Series



Lifely*

Product Code

BLC-BT-WNT Ballico Bedside Table

Dimensions(W x D x H)

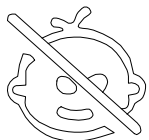
500x398x525mm

Important

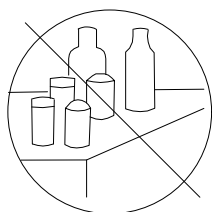
Please read through instruction carefully
Before assembly and keep for future reference.

For our full catalogue of assembly instructions,
Visit: lifely.com.au/assembly.

Important Tips and Maintenance



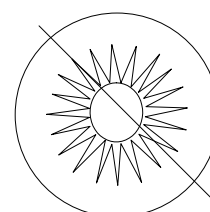
1. Keep children and animals away from working area as smaller parts may cause choking if swallowed.



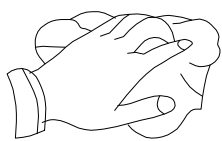
2. Never place liquids or anything damp upon furniture as it will mark. Ensure a coaster or running is beneath.



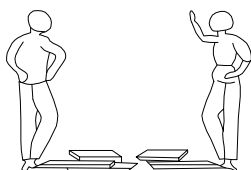
3. Never use ammonia based cleaning products as it will damage the finish.



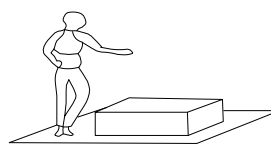
4. To avoid fading, keep furniture out of direct sunlight.



5. Use a soft or damp cloth (dry cloth) when wiping or cleaning surfaces.



6. Two person are required.



7. Lay a soft matt down to protect the furniture piece before and during assembly.

So your relationship is strong. But is it flat-pack furniture strong? Unless you're an aerospace engineer, assembling furniture can be slightly stressful. We recommend meditating quietly, pouring yourself a herbal tea (or slightly less herbal wine) and tackling things one step at a time. If you feel a passive aggressive remark coming on, try a compliment instead. E.g. "You're so good looking"

This 12-step assembly should take around 45 minutes with an Allen Key - or 35 minutes with an electric drill. Godspeed.

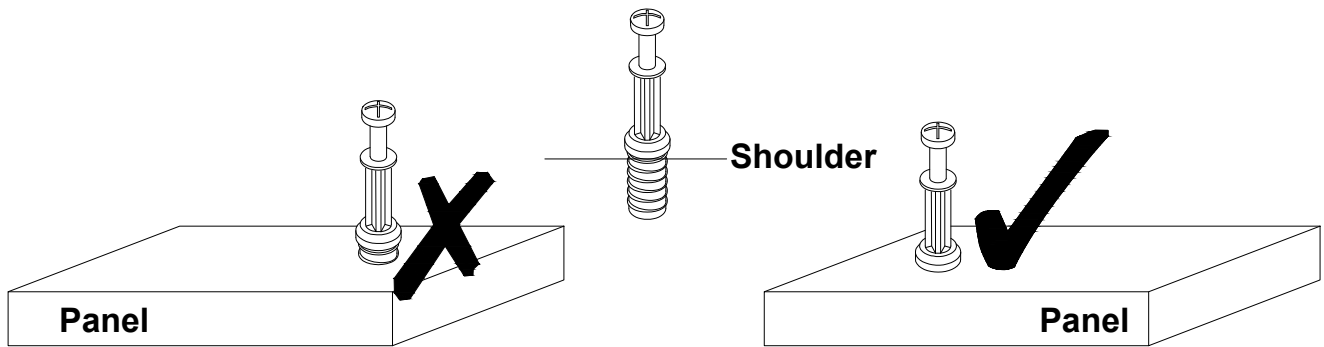
Designed for everyday

Before Assembly

Tips Before Your Start:

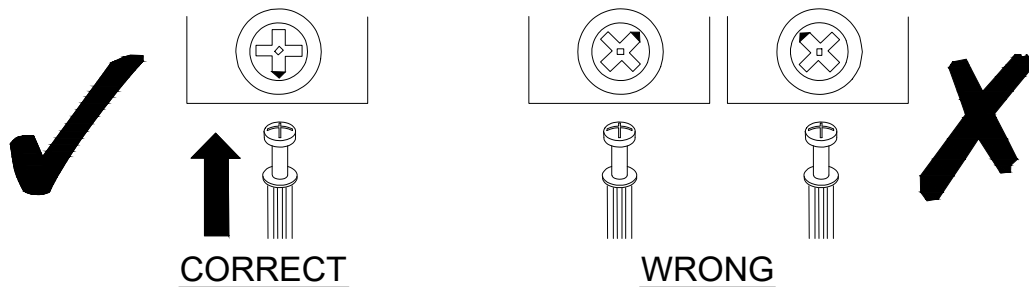
- Remove all wrapping material, including staples & packing straps before you start to assemble.
- DO NOT tighten all screws and bolts until completely assembled.
- Keep all hardware parts out of reach of children.

QUICKFIT



Tighten quickfit until shoulder is flush with panel. Do not overtighten or undertighten.

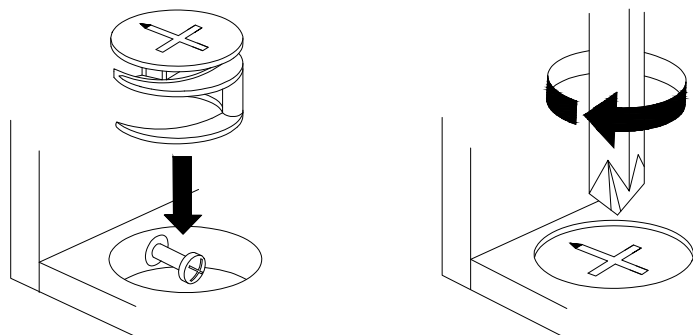
CAM LOCK



When fitting cam lock, ensure starting position is correct before you insert connecting quickfit.

Quickfit head should be in the centre of the cam lock when the two panels are joined.

Cam lock should be inserted before quickfit.



Turn cam lock clockwise to tighten.

Component Hardware

Please check you have all the fittings part or tools are listed in below.

No. A

Quantity:14Pcs
Cam Lock Dowel
8*28mm



No. B

Quantity:8Pcs
Dowel
8*30mm



No. C

Quantity:14Pcs
Cam
φ15



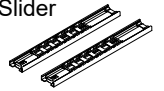
No. D

Quantity:28Pcs
Screw
3.5*15mm



No. E

Quantity:1Sets
Drawer Slider
10"



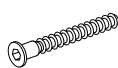
No. F

Quantity:4 Pcs
Screw
4*35mm



No. G

Quantity:4Pcs
Screw
M6*50



No. H

Quantity:1 Pcs
Allen Key
4#



No. I

Quantity:4 Pcs
Full Thread Screw
M8*35mm



No. J

Quantity:4Pcs
Foot Plate
70*70mm



No. K

Quantity:4 Pcs
Foot Pad
φ25



No. L

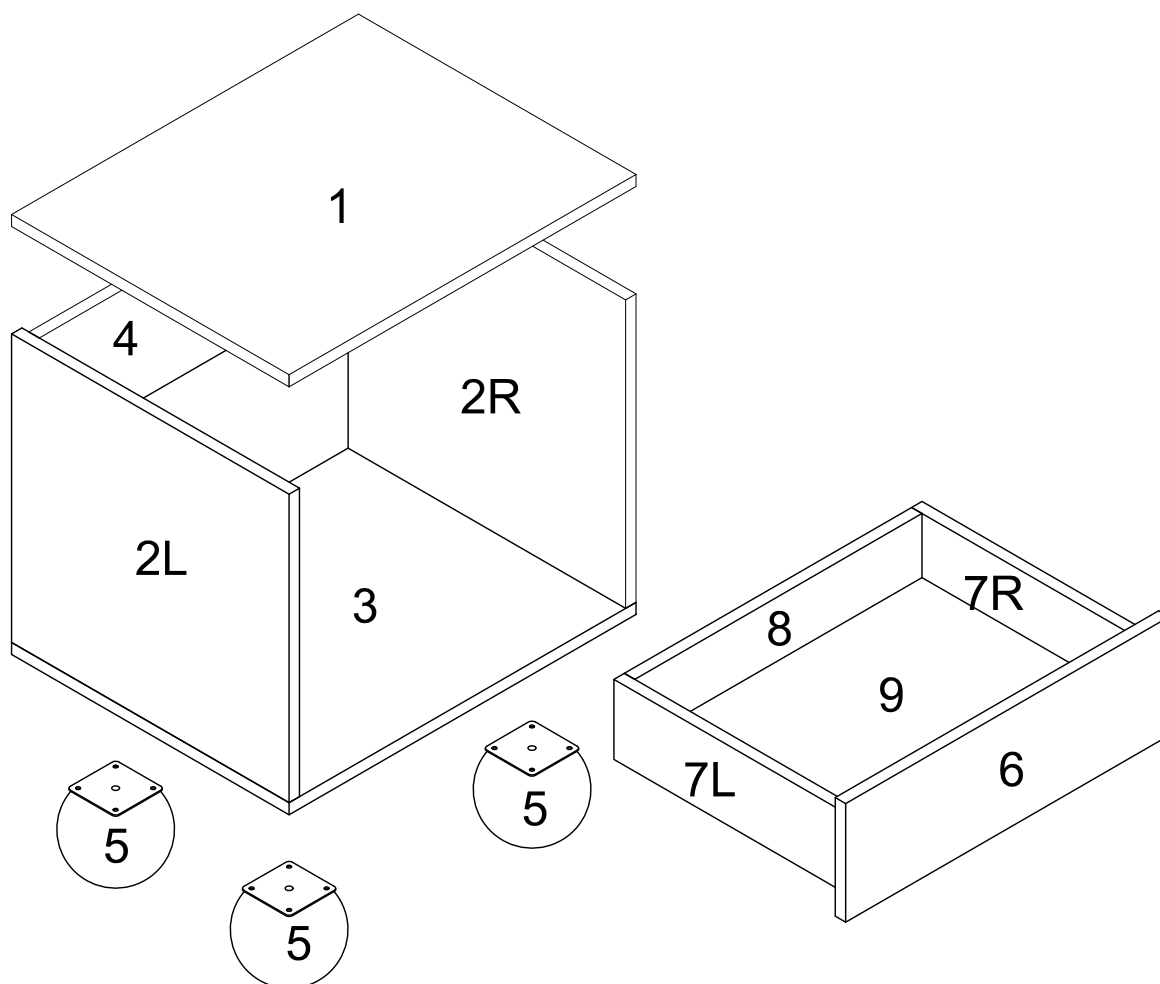
Quantity:14Pcs
Sticker



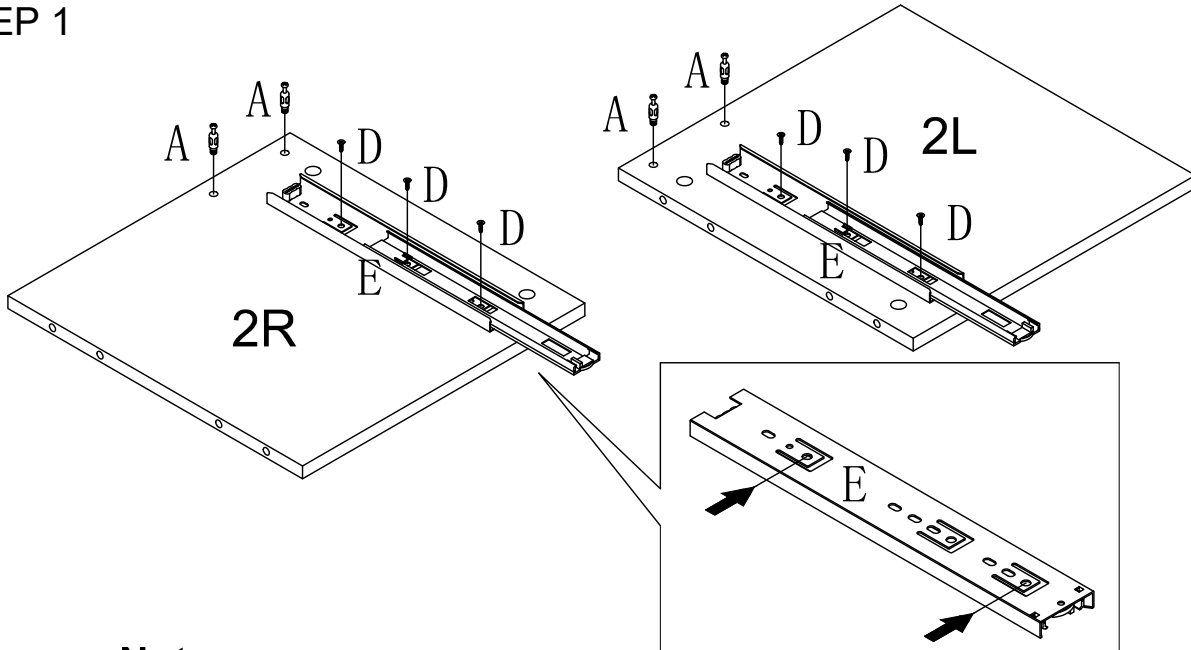
Component Panels & part List

Please check you have all the panels are listed below.

- | | | | | | | | |
|-----|------------------|-------|----|-----|-------------------|-------|----|
| 1. | TOP PANEL | | x1 | 6. | DRAWER FRONT | | x1 |
| 2L. | SIDE PANEL_LEFT | | x1 | 7L. | DRAWER SIDE_LEFT | | x1 |
| 2R. | SIDE PANEL_RIGHT | | x1 | 7R. | DRAWER SIDE_RIGHT | | x1 |
| 3. | BOTTOM PANEL | | x1 | 8. | DRAWER BACK | | x1 |
| 4. | BACK PANEL | | x1 | 9. | DRAWER BOTTOM | | x1 |
| 5. | LEG | | x4 | | | | |



STEP 1



Note:

This is the drawer rail back side for holes position reference only.

No. A

Quantity:4Pcs
Cam Lock Dowel
8*28mm



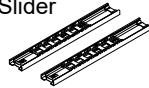
No. D

Quantity:6Pcs
Screw
3.5*15mm

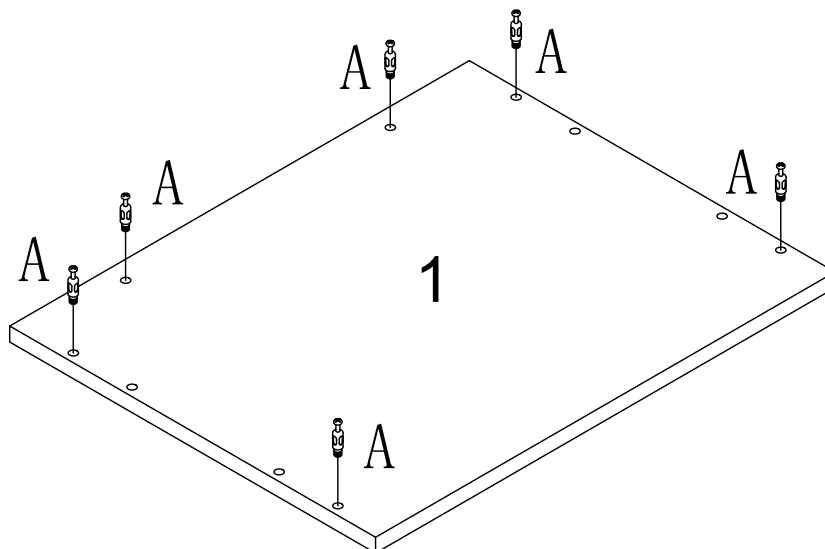


No. E

Quantity:1Sets
Drawer Slider
10"



STEP 2

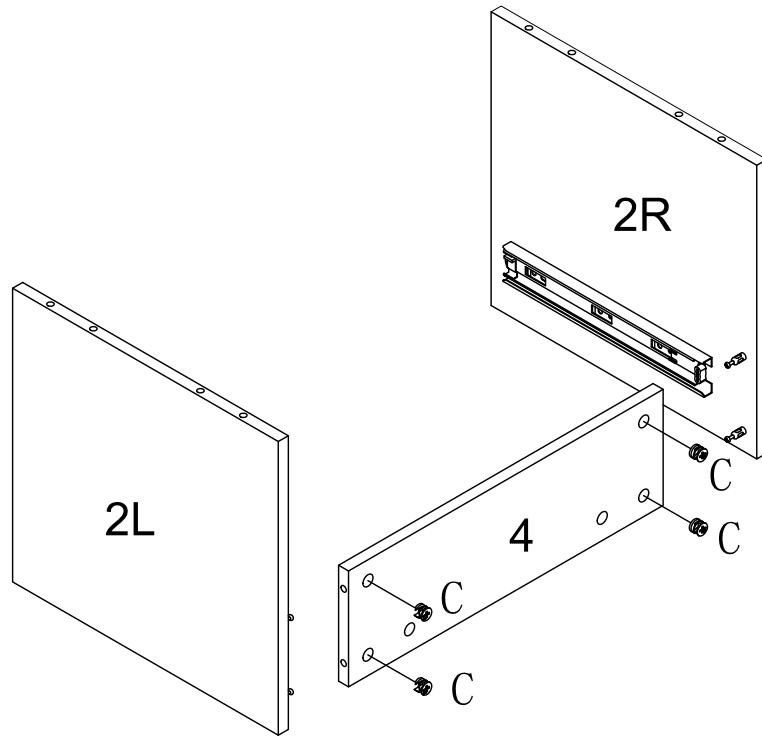


No. A

Quantity:6Pcs
Cam Lock Dowel
8*28mm



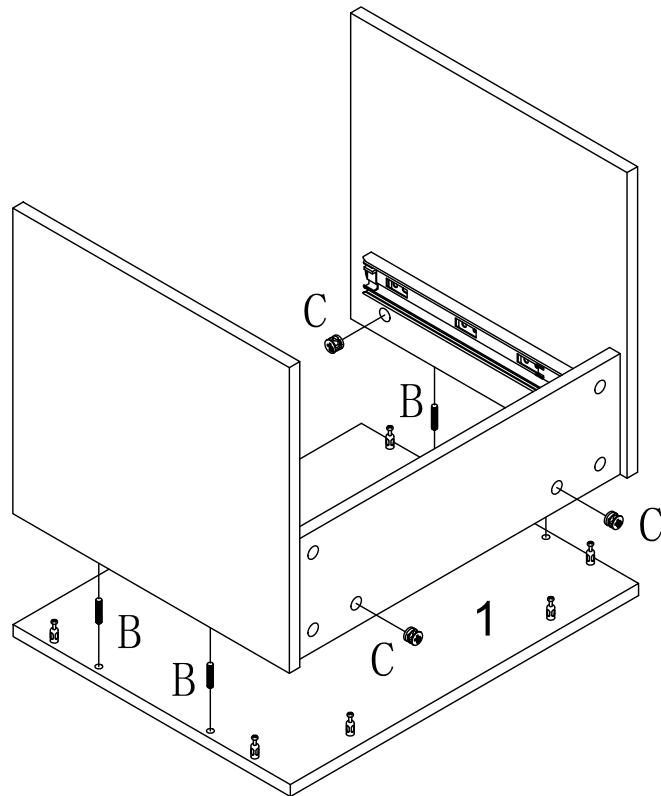
STEP 3



No. C
Quantity:4Pcs
Cam
φ15



STEP 4



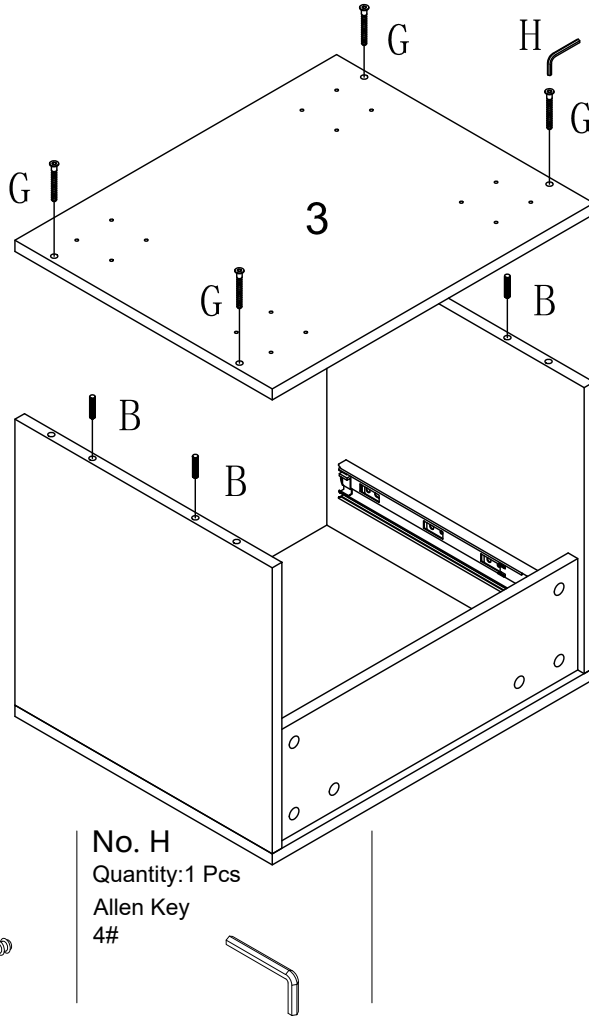
No. B
Quantity:4Pcs
Dowel
8*30mm



No. C
Quantity:6Pcs
Cam
φ15



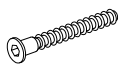
STEP 5



No. B
Quantity:4Pcs
Dowel
8*30mm



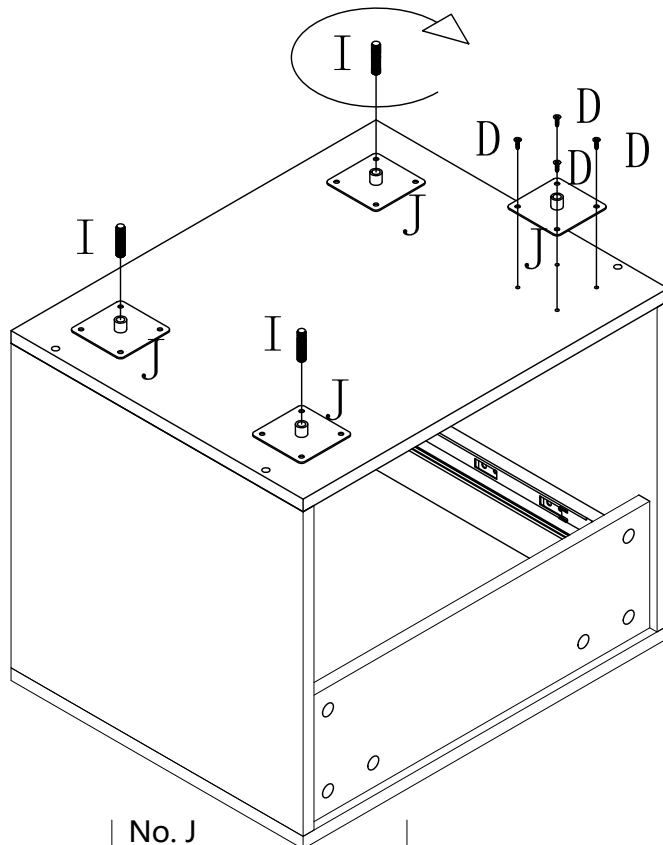
No. G
Quantity:4Pcs
Screw
M6*50



No. H
Quantity:1 Pcs
Allen Key
4#



STEP 6



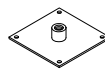
No. D
Quantity:16Pcs
Screw
3.5*15mm



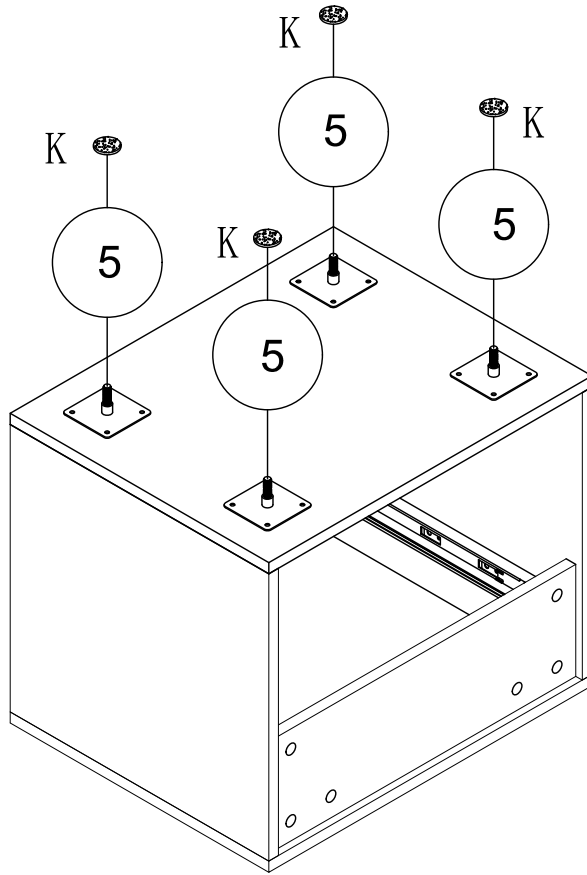
No. I
Quantity:4 Pcs
Full Thread Screw
M8*35mm



No. J
Quantity:4Pcs
Foot Plate
70*70mm



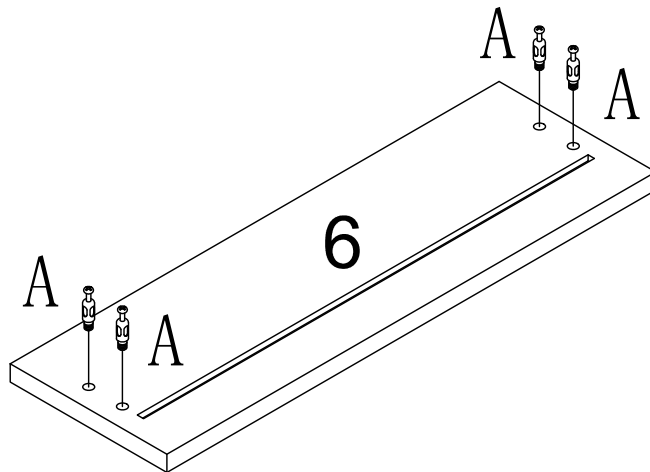
STEP 7



No. K
Quantity: 4 Pcs
Foot Pad
φ25



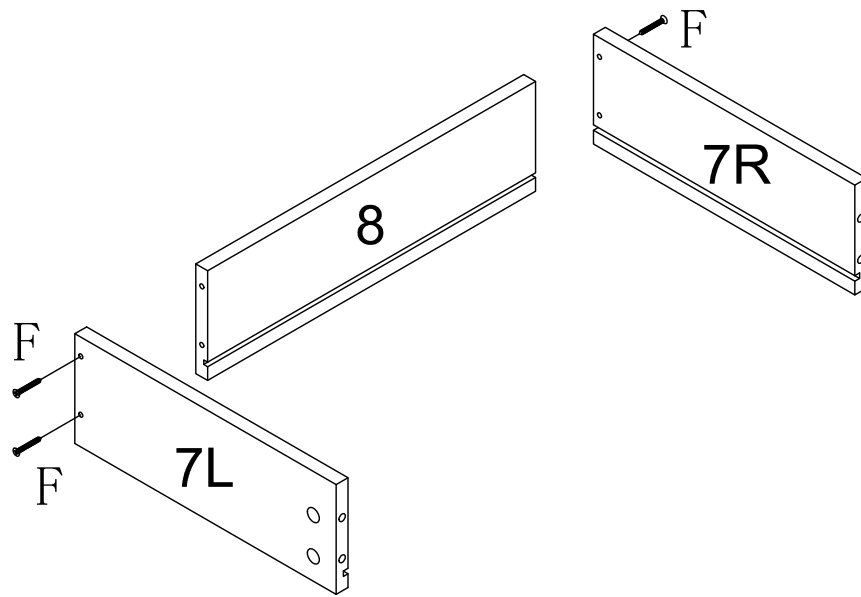
STEP 8



No. A
Quantity: 4 Pcs
Cam Lock Dowel
8*28mm



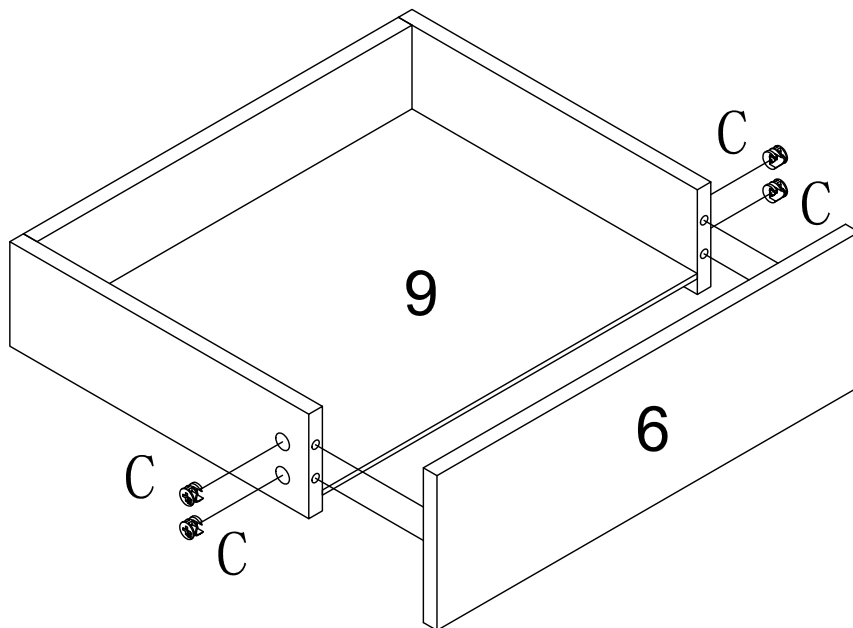
STEP 9



No. F
Quantity:4 Pcs
Screw
4*35mm



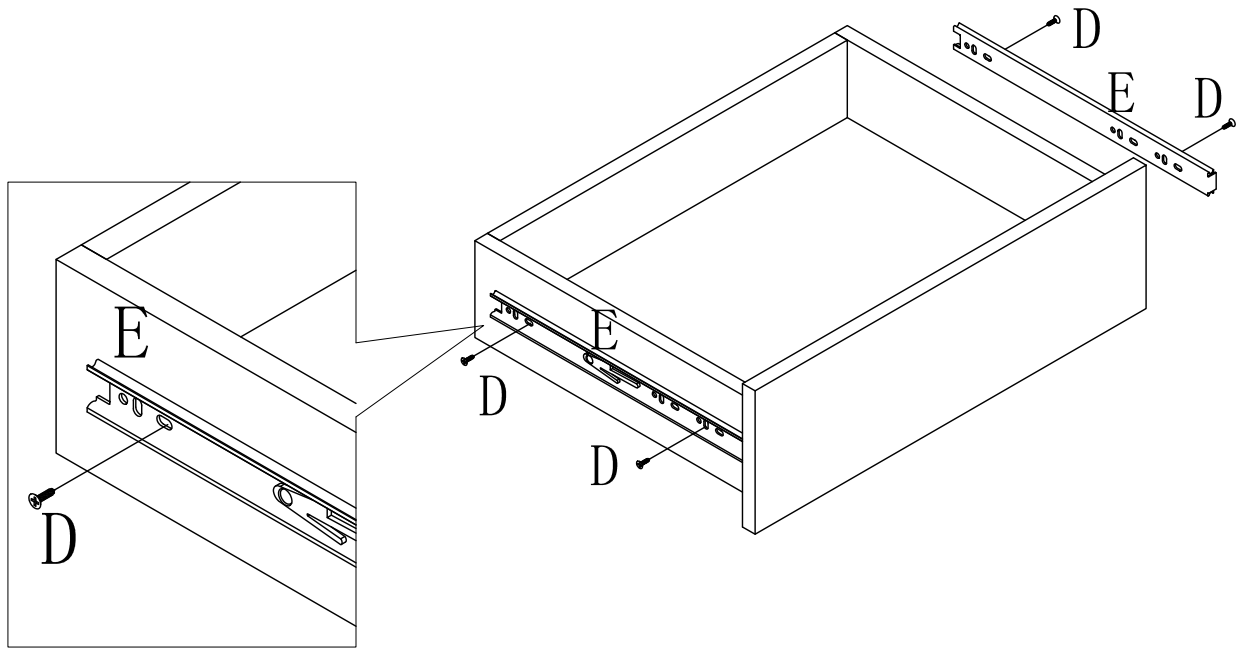
STEP 10



No. C
Quantity:4Pcs
Cam
φ15



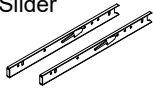
STEP 11



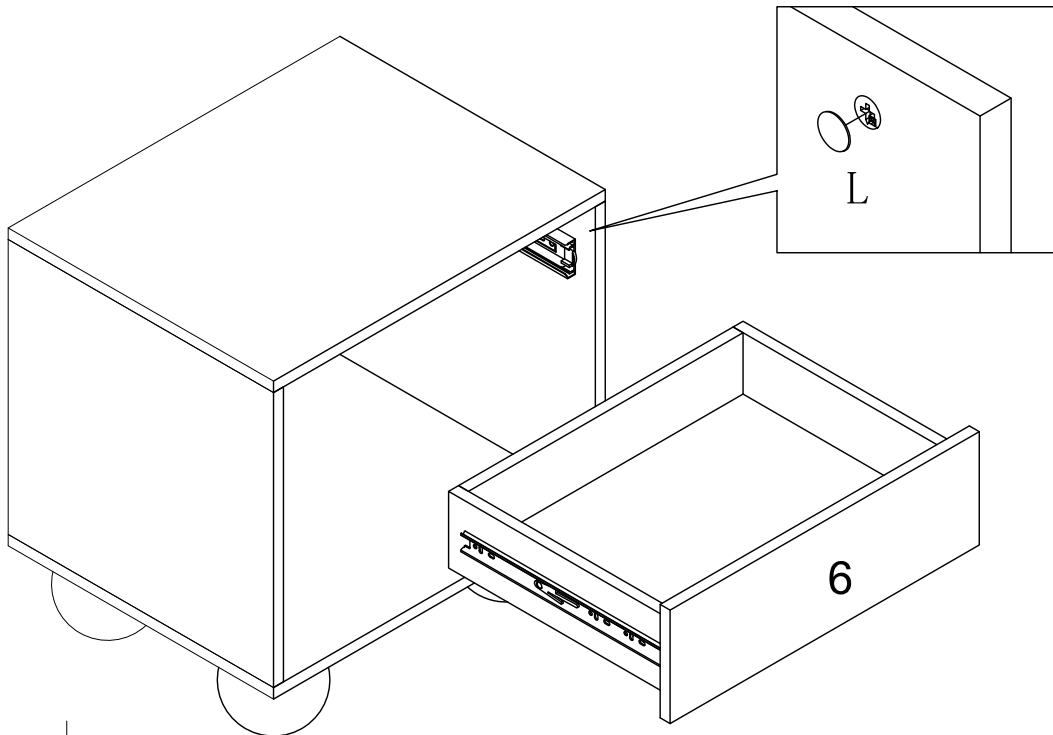
No. D
Quantity: 4Pcs
Screw
3.5*15mm



No. E
Quantity: 1Sets
Drawer Slider
10"



STEP 12



No. L
Quantity: 14Pcs
Sticker



lifely.com.au

Great job. You're done!

Don't forget to share how it looks in
your space and tag us on Instagram.
@lifelyhome#homewithlifely!