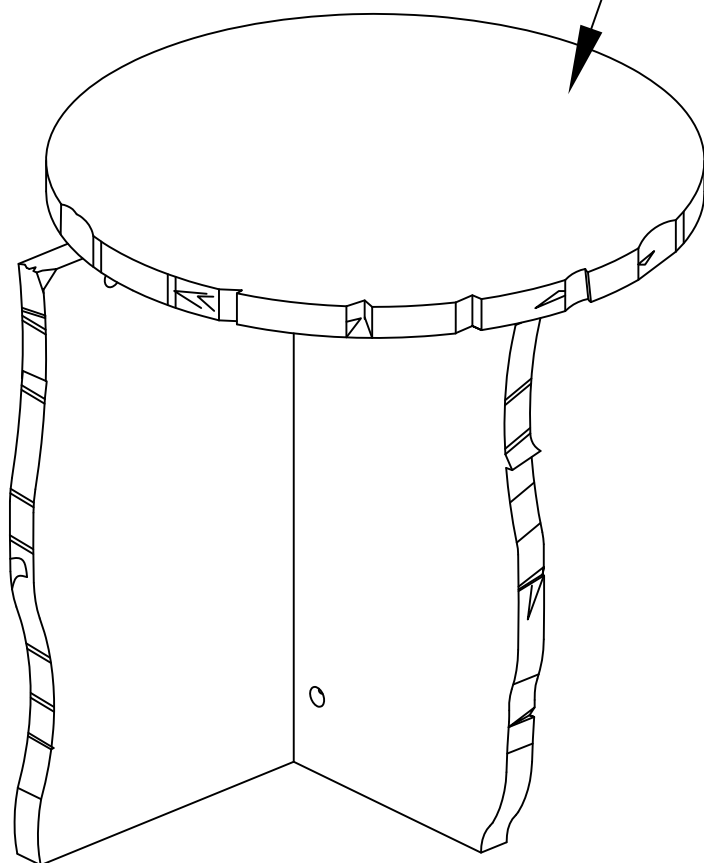


Assembly Instructions

Austin Series

Note:
Maximum Weight:6 Kgs



Lifely*

Product Code

AST-CT Austin Side Table

Dimensions (W x D x H)

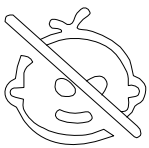
475*475*500mm

Important

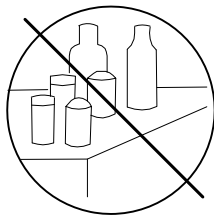
Please read through instruction carefully
Before assembly and keep for future reference.

For our full catalogue of assembly instructions,
Visit: lifely.com.au/assembly.

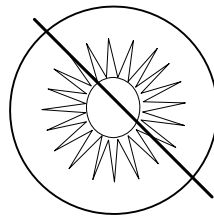
Important Tips and Maintenance



1. Keep children and animals away from working area as smaller parts may cause choking if swallowed.



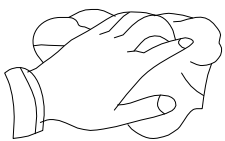
2. Never place liquids or anything damp upon furniture as it will mark. Ensure a coaster or running is beneath.



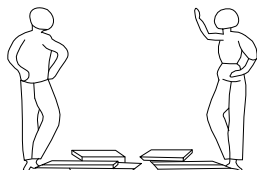
3. Never use ammonia based cleaning products as it will damage the finish.



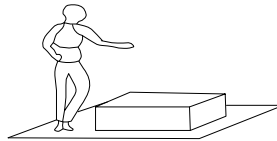
4. To avoid fading, keep furniture out of direct sunlight.



5. Use a soft or damp cloth (dry cloth) when wiping or cleaning surfaces.



6. Two person are required.



7. Lay a soft matt down to protect the furniture piece before and during assembly.

So your relationship is strong. But is it flat-pack furniture strong? Unless you're an aerospace engineer, assembling furniture can be slightly stressful. We recommend meditating quietly, pouring yourself a herbal tea (or slightly less herbal wine) and tackling things one step at a time. If you feel a passive aggressive remark coming on, try a compliment instead. E.g. "You're so good looking."

This 4-step assembly should take around 15 minutes with an Allen key - or 10 minutes with an electric drill.

Designed for everyday

Component Hardware

Please check you have all the fittings
part or tools are listed in below.

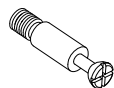
No. A

Quantity:6Pcs
Cam Lock
 ϕ 15*10mm



No. B

Quantity:6Pcs
Cam Lock Dowel
 ϕ 7*25



No. C

Quantity:1Pc
Key



No. D

Quantity:6Pcs
Wood Dowel
 ϕ 8*30mm



No. E

Quantity:6Pcs
Cover
 ϕ 20mm



No. F

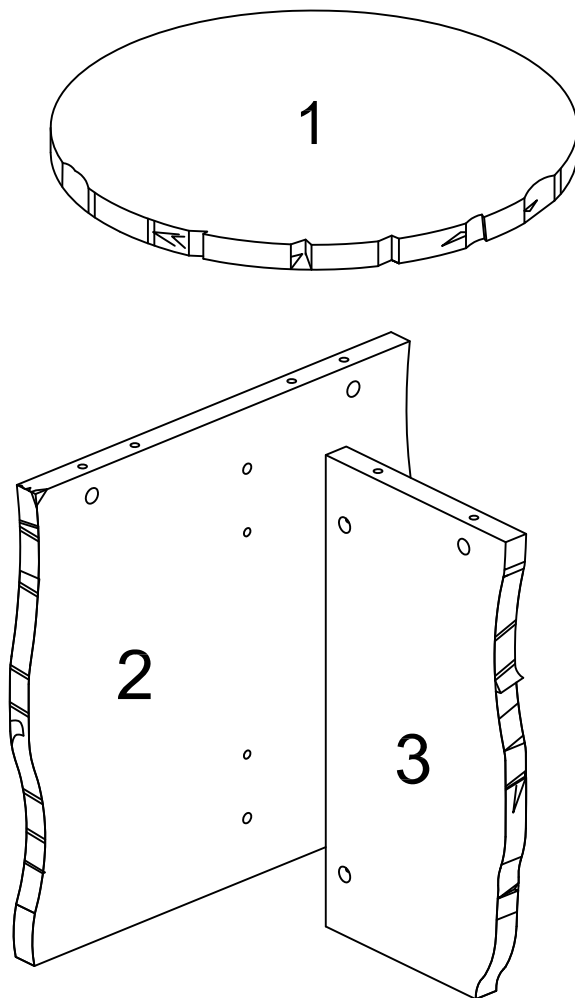
Quantity:3Pcs
EVA Pad
 ϕ 25mm



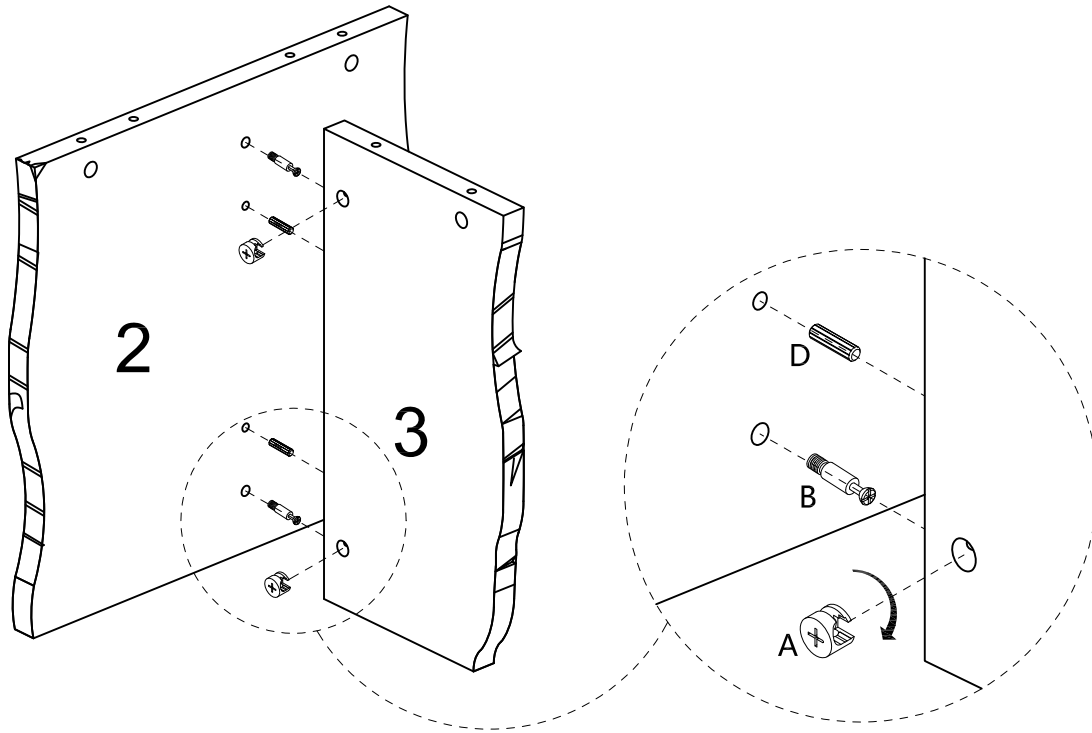
Component Panels & part List

Please check you have all the panels
are listed below.

1. Top Panel -----x1
2. Left -----x1
3. Right----- x1



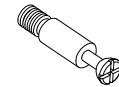
STEP 1



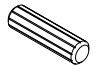
No. A
Quantity: 2Pcs
Cam Lock
φ 15*10mm



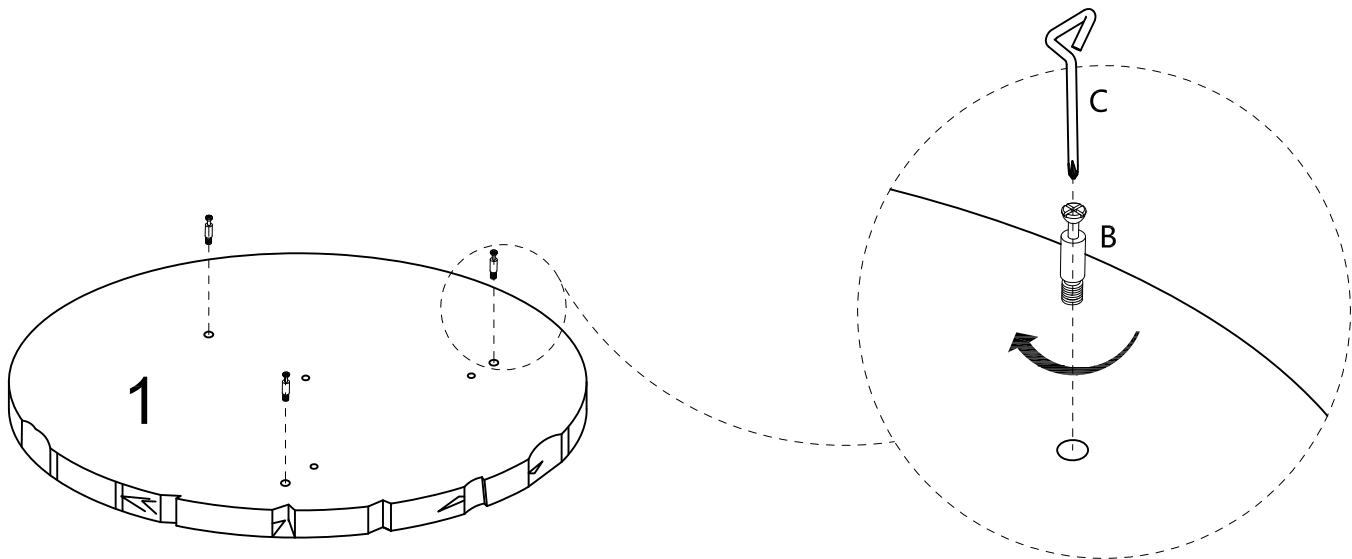
No. B
Quantity: 2Pcs
Cam Lock Dowel
φ 7*25



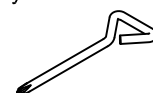
No. D
Quantity: 2Pcs
Wood Dowel
Ø8*30mm



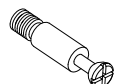
STEP 2



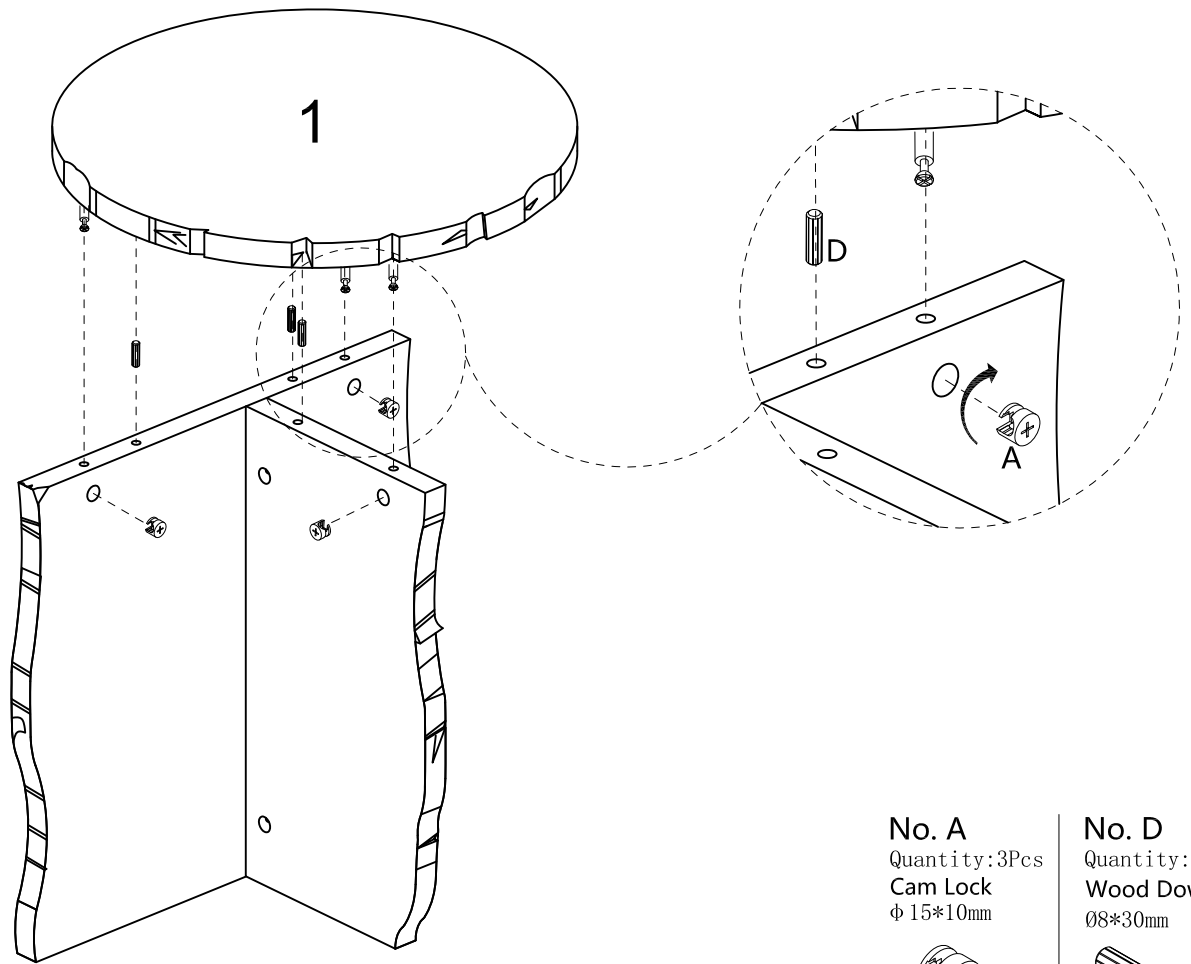
No. C
Quantity: 1Pc
Key



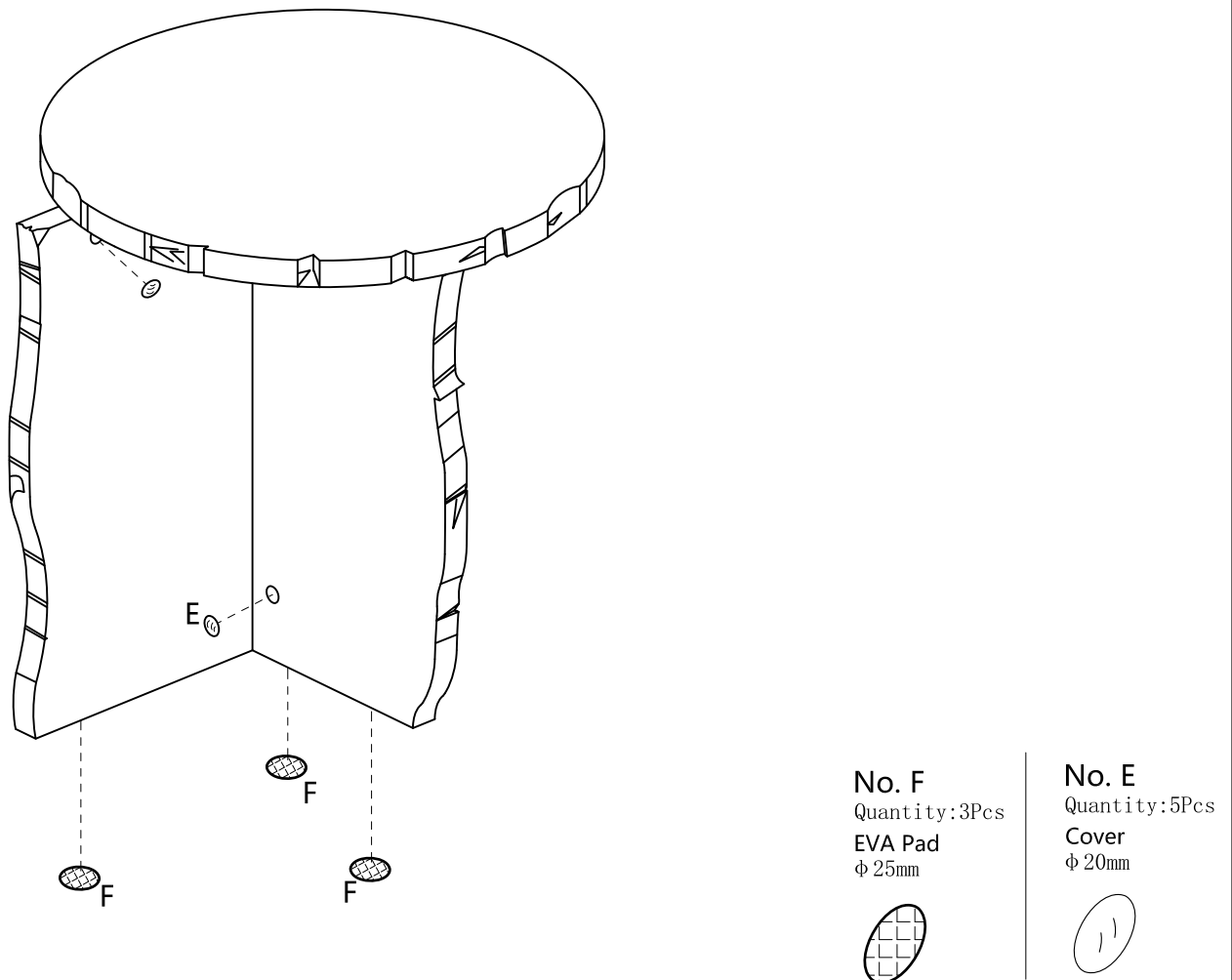
No. B
Quantity: 3Pcs
Cam Lock Dowel
φ 7*25



STEP 3



STEP 4



lifely.com.au

Great job. You're done!

Don't forget to share how it looks in
your space and tag us on Instagram.

@lifelyhome #homewithlifely!