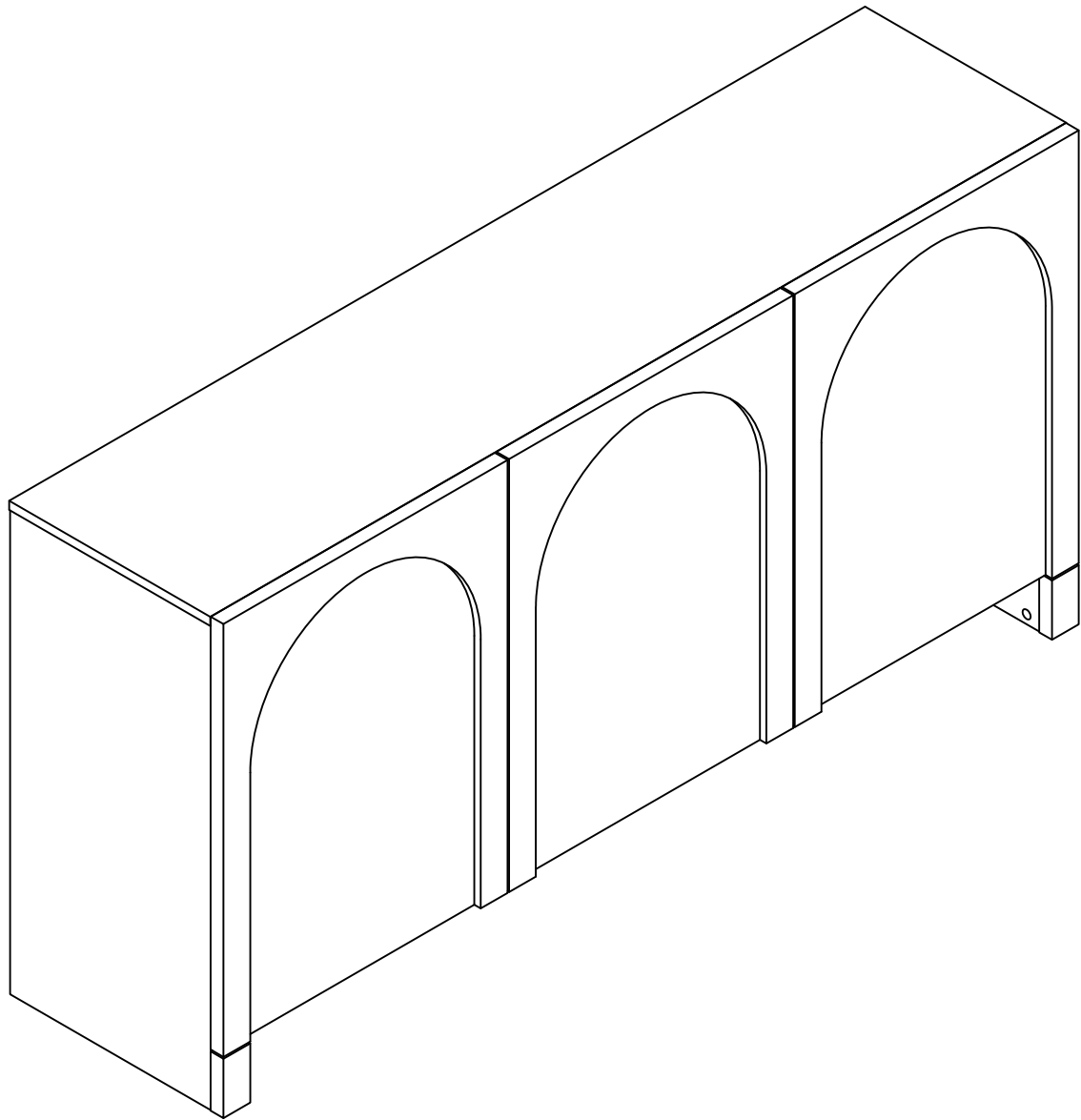


Assembly Instructions

Arch Series



Lifely*

Product Code

ARH-SB160-WHT Arch 3 Door Sideboard

Dimensions (W x D x H)

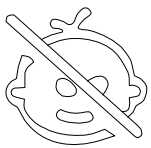
1600*400*800mm

Important

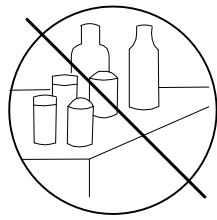
Please read through instruction carefully
Before assembly and keep for future reference.

For our full catalogue of assembly instructions,
Visit: lifely.com.au/assembly.

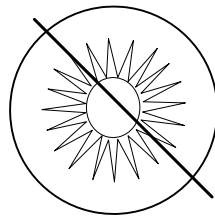
Important Tips and Maintenance



1. Keep children and animals away from working area as smaller parts may cause choking if swallowed.



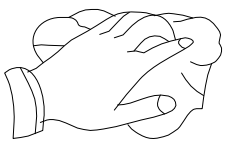
2. Never place liquids or anything damp upon furniture as it will mark. Ensure a coaster or running is beneath.



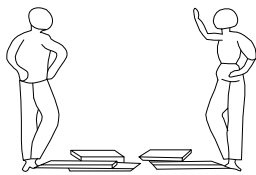
3. Never use ammonia based cleaning products as it will damage the finish.



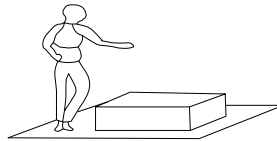
4. To avoid fading, keep furniture out of direct sunlight.



5. Use a soft or damp cloth (dry cloth) when wiping or cleaning surfaces.



6. Two person are required.



7. Lay a soft matt down to protect the furniture piece before and during assembly.

So your relationship is strong. But is it flat-pack furniture strong? Unless you're an aerospace engineer, assembling furniture can be slightly stressful. We recommend meditating quietly, pouring yourself a herbal tea (or slightly less herbal wine) and tackling things one step at a time. If you feel a passive aggressive remark coming on, try a compliment instead. E.g. "You're so good looking."

This 15-step assembly should take around 45 minutes with an Allen key - or 30 minutes with an electric drill.

Designed for everyday

Component Hardware

Please check you have all the fittings
part or tools are listed in below.

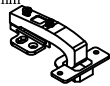
No. A
Quantity:42 Pcs
Cam
φ 15*12mm



No. B
Quantity:42 Pcs
Cam Lock Dowel
φ 7*25



No. C
Quantity:4 PCS
Spring Hinge
φ 35mm



No. D
Quantity:2 Pcs
Spring Hinge
φ 40mm



No. E
Quantity:12 Pcs
Shelf Support



No. F
Quantity:25Pcs
Wood Dowel
Ø8*30mm



No. G
Quantity:1 Pcs
Screw
M6*25mm



No. H
Quantity:36 Pcs
Screw
φ 3.5*14mm



No. I
Quantity:42Pcs
Cover
φ 20mm



No. J
Quantity:8Pcs
Angle plastic
φ 3*18mm



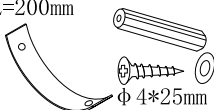
No. K
Quantity:1 Pc
Key
5mm



No. L
Quantity:1 Pair
Gloves



No. M
Quantity:2 Sets
Anti - dumping
L=200mm



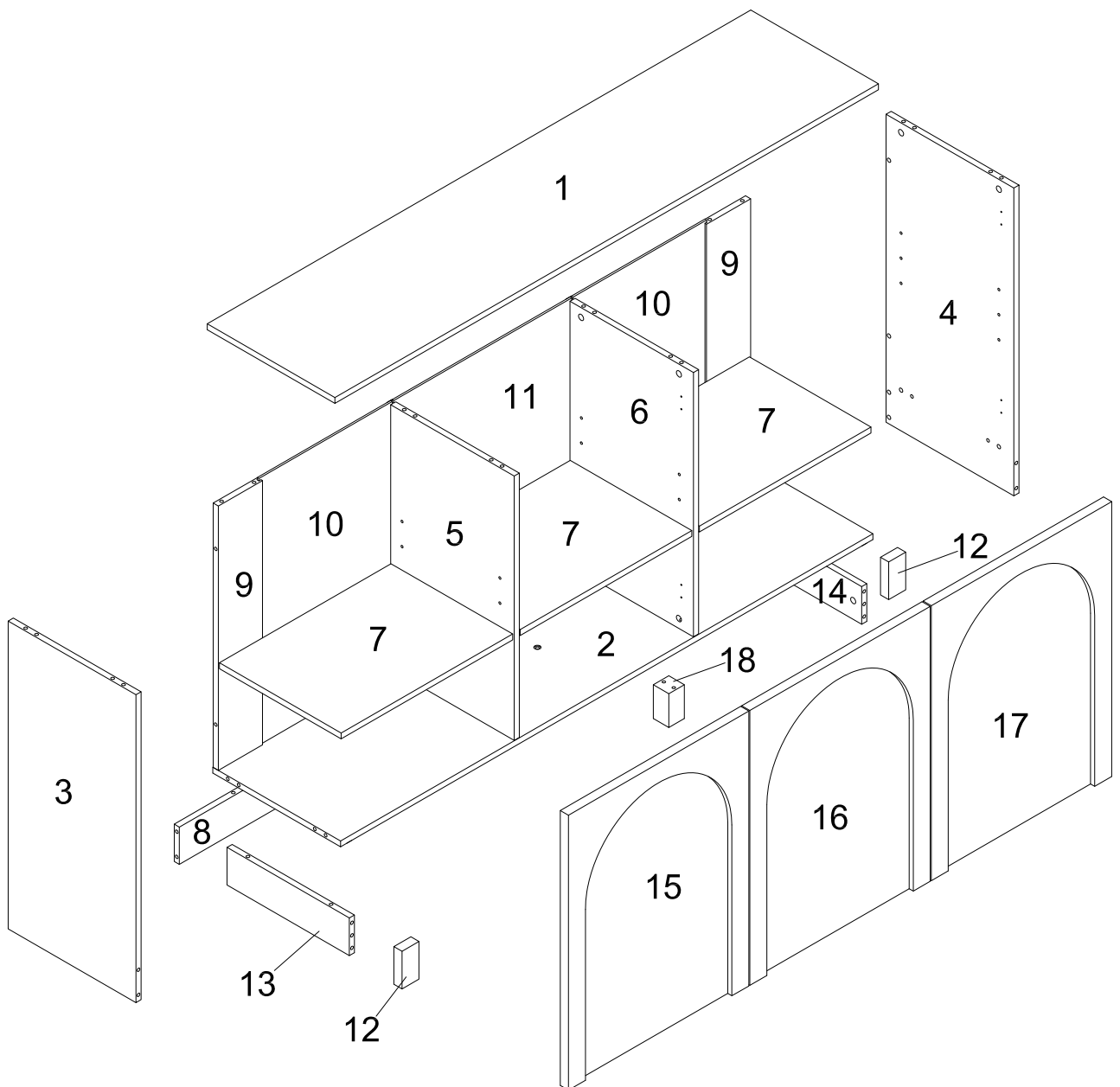
No. N
Quantity:2 Sets
Screw
φ 3.5*14mm



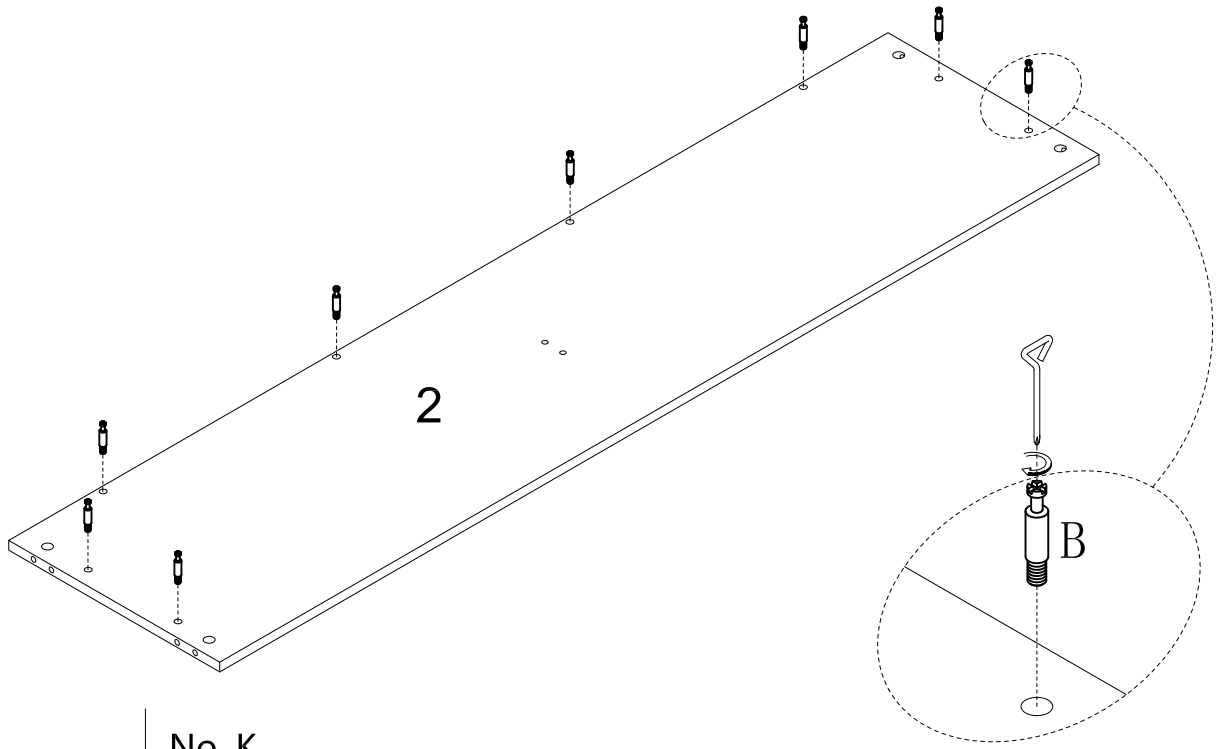
Component Panels & part List

Please check you have all the panels are listed below.

- | | | | | | |
|-----|----------------------------|---------|-----|--------------------------|---------|
| 1. | Top Panel-----x1 | CTN 2/2 | 13. | Bottom-Left Support---x1 | CTN 2/2 |
| 2. | Bottom-----x1 | CTN 2/2 | 14. | Bottom-Right Support--x1 | CTN 2/2 |
| 3. | Side panel-Left-----x1 | CTN 2/2 | 15. | Door-Left-----x1 | CTN 1/2 |
| 4. | Side panel-Right-----x1 | CTN 2/2 | 16. | Door-Middle-----x1 | CTN 1/2 |
| 5. | Side panel-Left Middle--x1 | CTN 1/2 | 17. | Door-Right-----x1 | CTN 1/2 |
| 6. | Side panel-Right Middle-x1 | CTN 1/2 | 18. | Leg-Middle-----x1 | CTN 1/2 |
| 7. | Shelf-----x3 | CTN 1/2 | | | |
| 8. | Footboard-Back-----x1 | CTN 2/2 | | | |
| 9. | Back Support-----x2 | CTN 2/2 | | | |
| 10. | Back Panel-Side-----x2 | CTN 1/2 | | | |
| 11. | Back Panel-Middle-----x1 | CTN 1/2 | | | |
| 12. | Decorative Panel-Front--x2 | CTN 1/2 | | | |



STEP 1



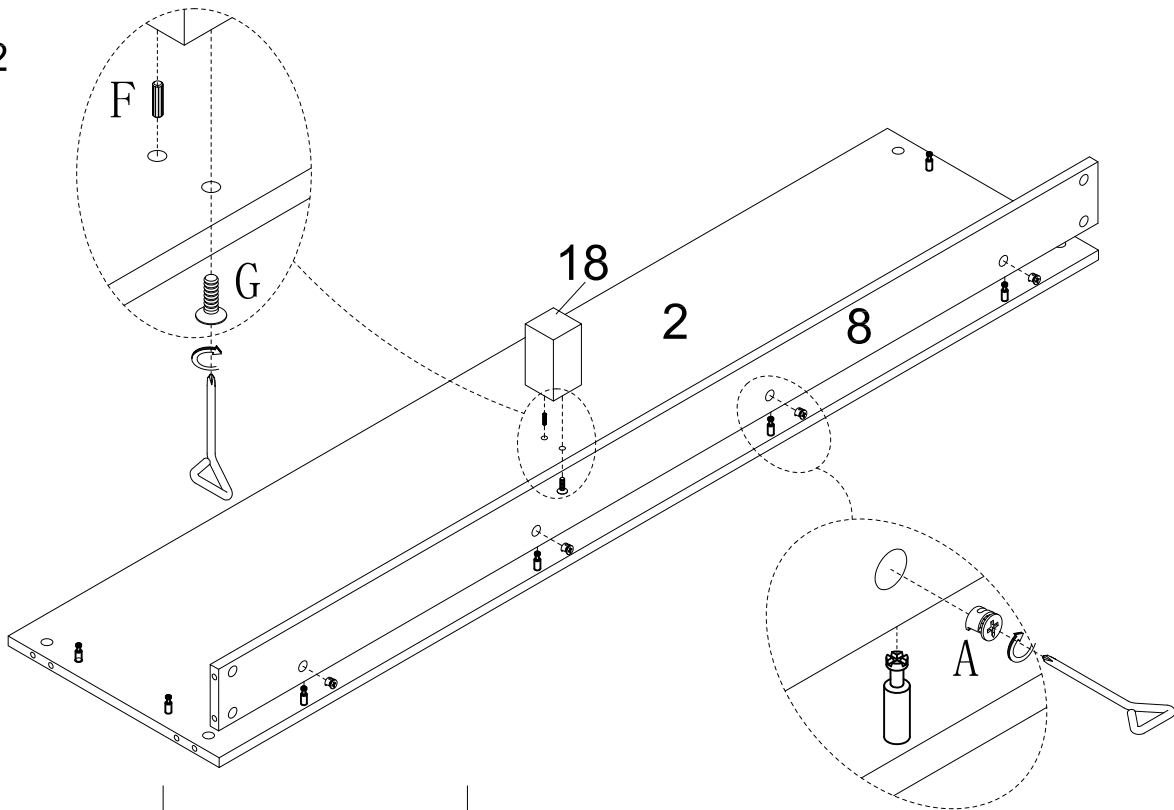
No. B
Quantity:8 Pcs



No. K
Quantity:1 Pc



STEP 2



No. A
Quantity:4 Pcs



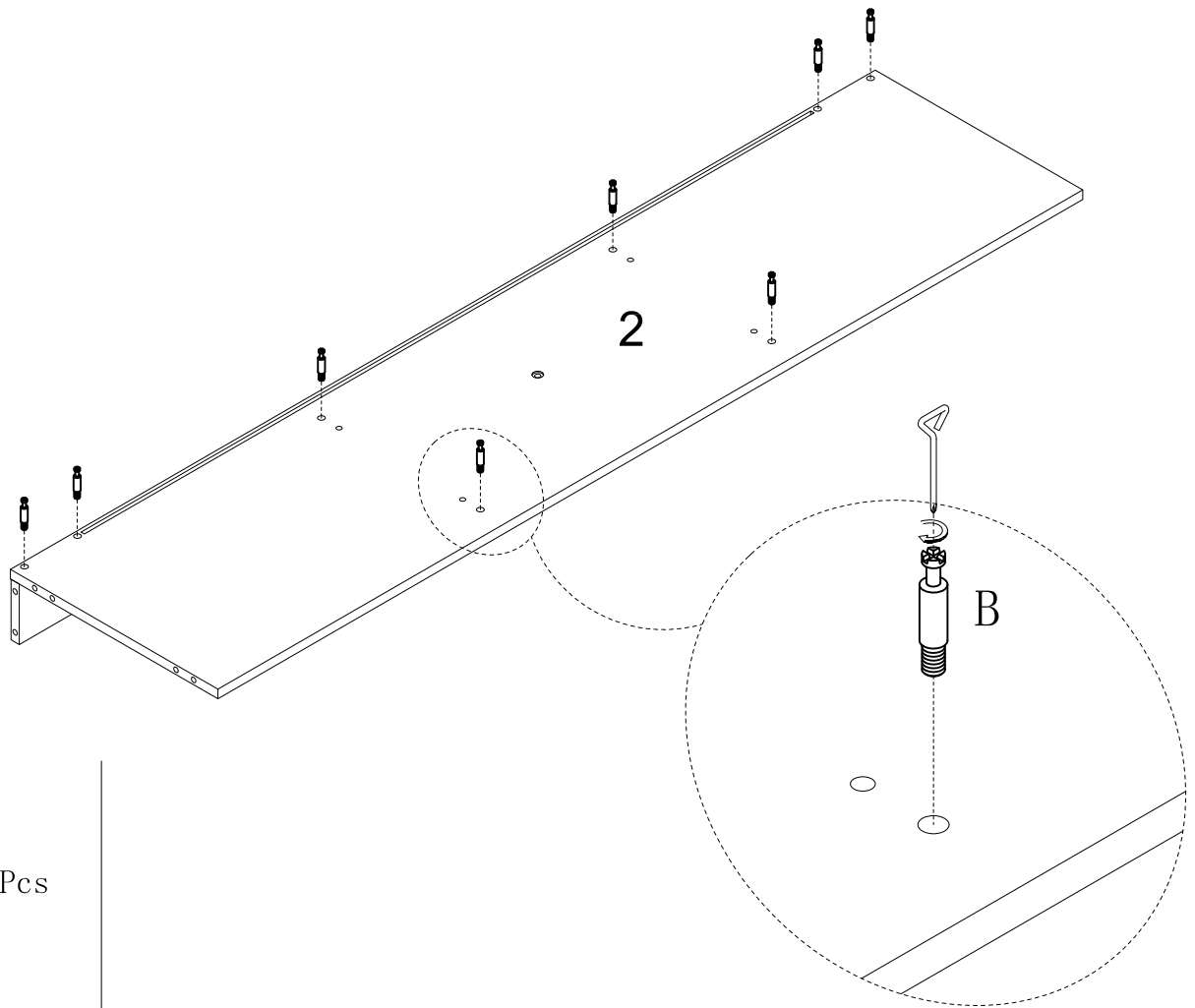
No. F
Quantity:1 Pc



No. G
Quantity:1 Pc



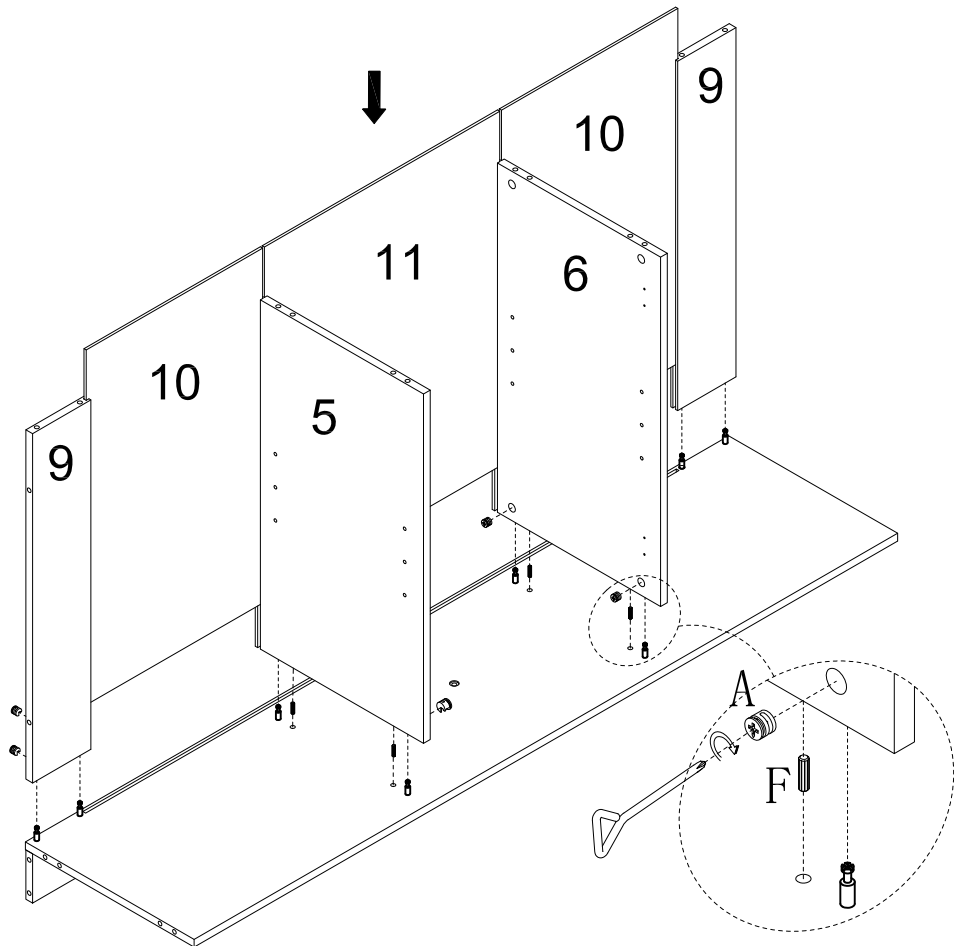
STEP 3



No. B
Quantity: 8 Pcs



STEP 4



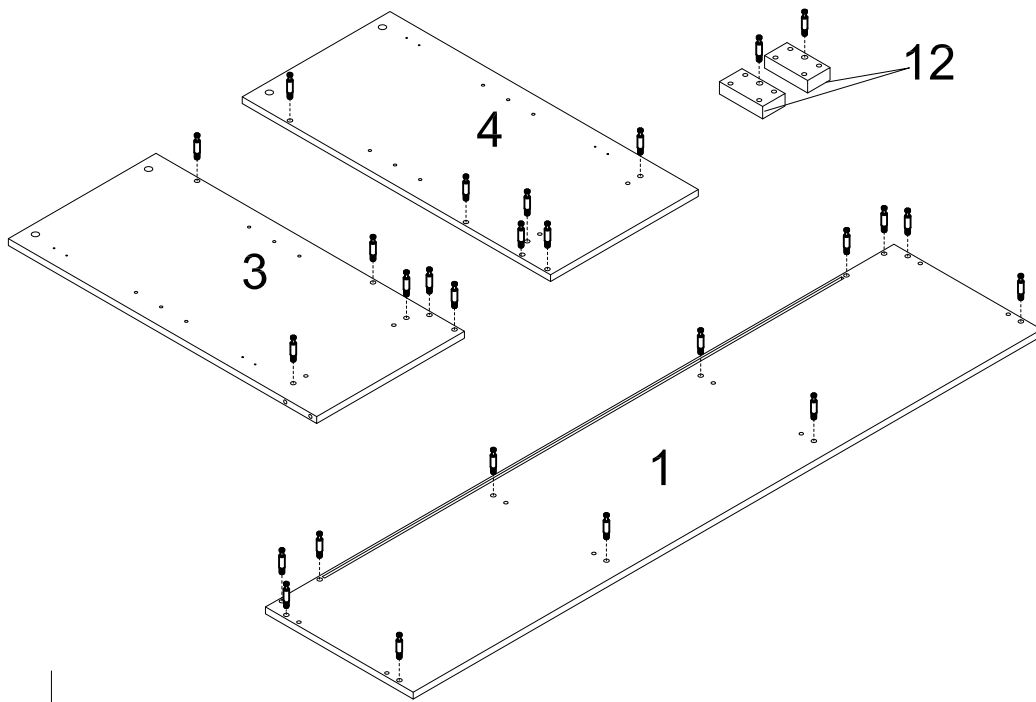
No. F
Quantity: 4 Pcs



No. A
Quantity: 8 Pcs



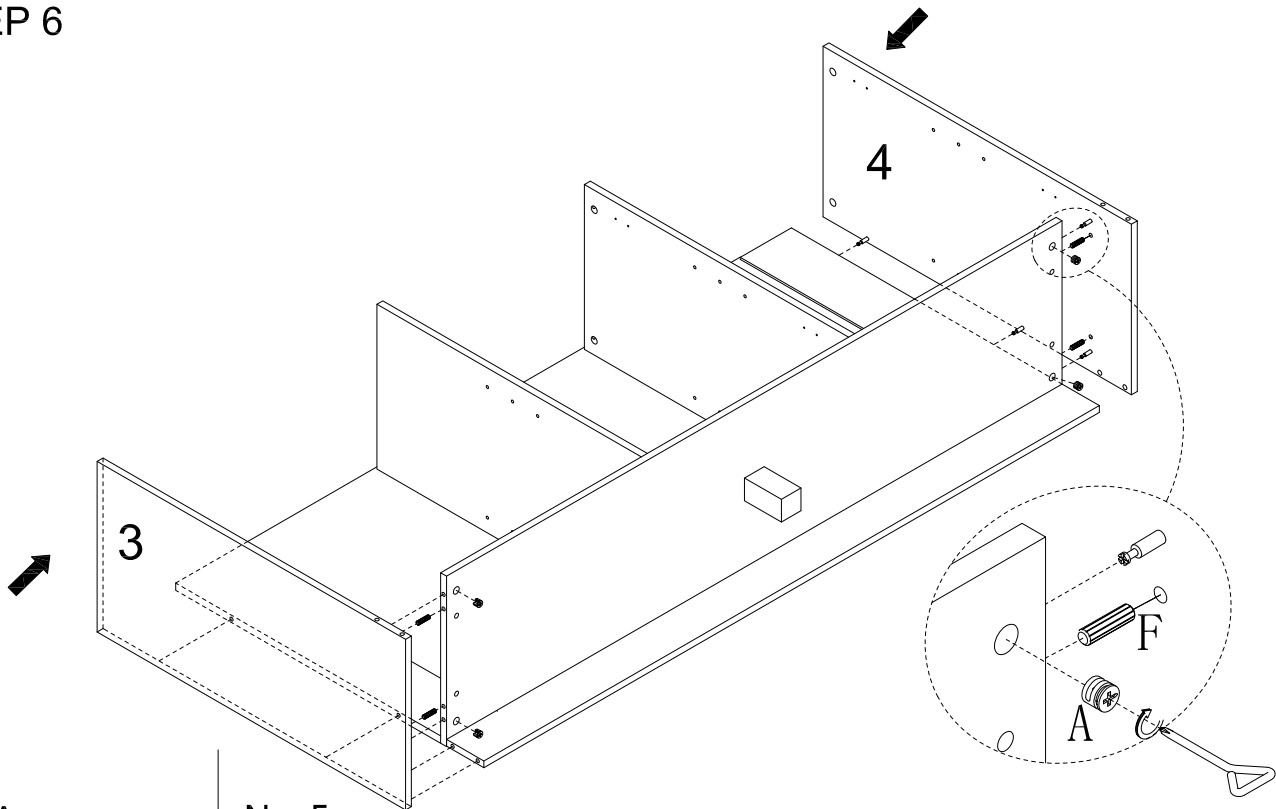
STEP 5



No. B
Quantity: 26 Pcs



STEP 6

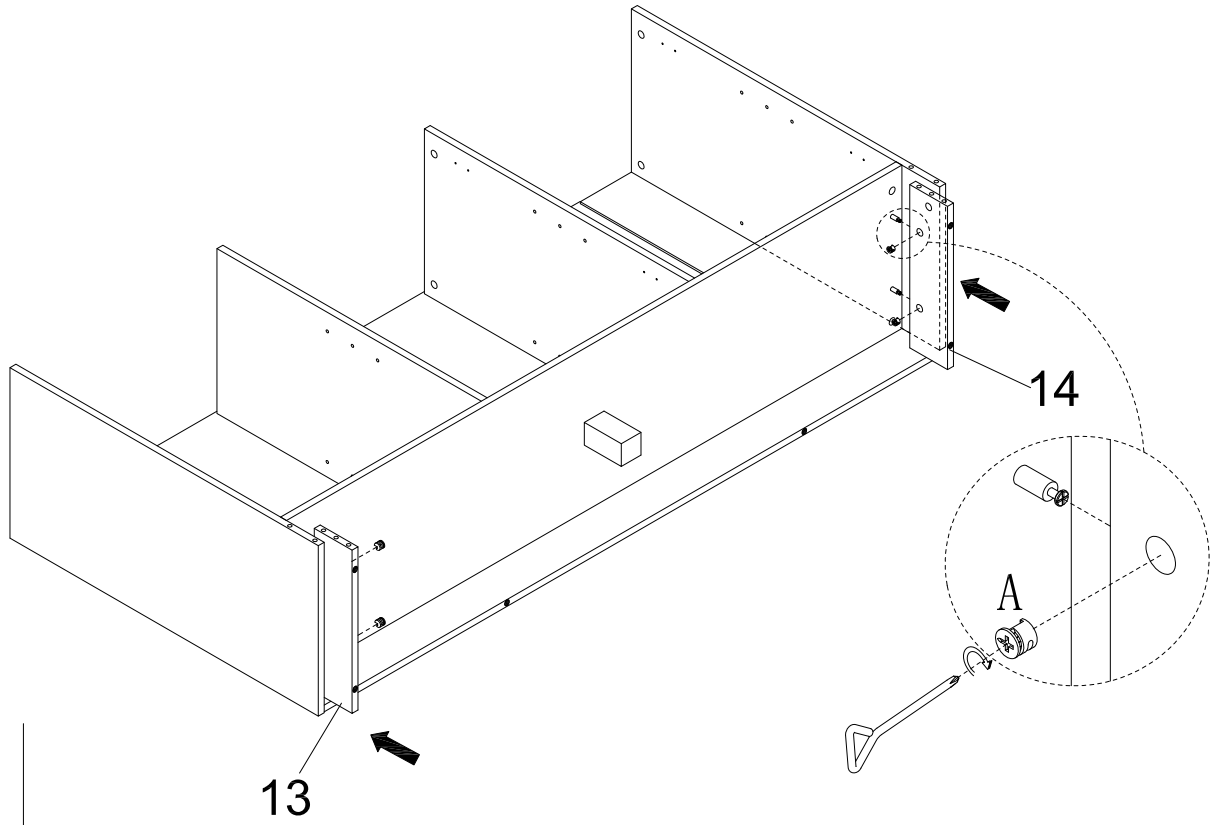


No. A
Quantity: 4 Pcs

No. F
Quantity: 4 Pcs



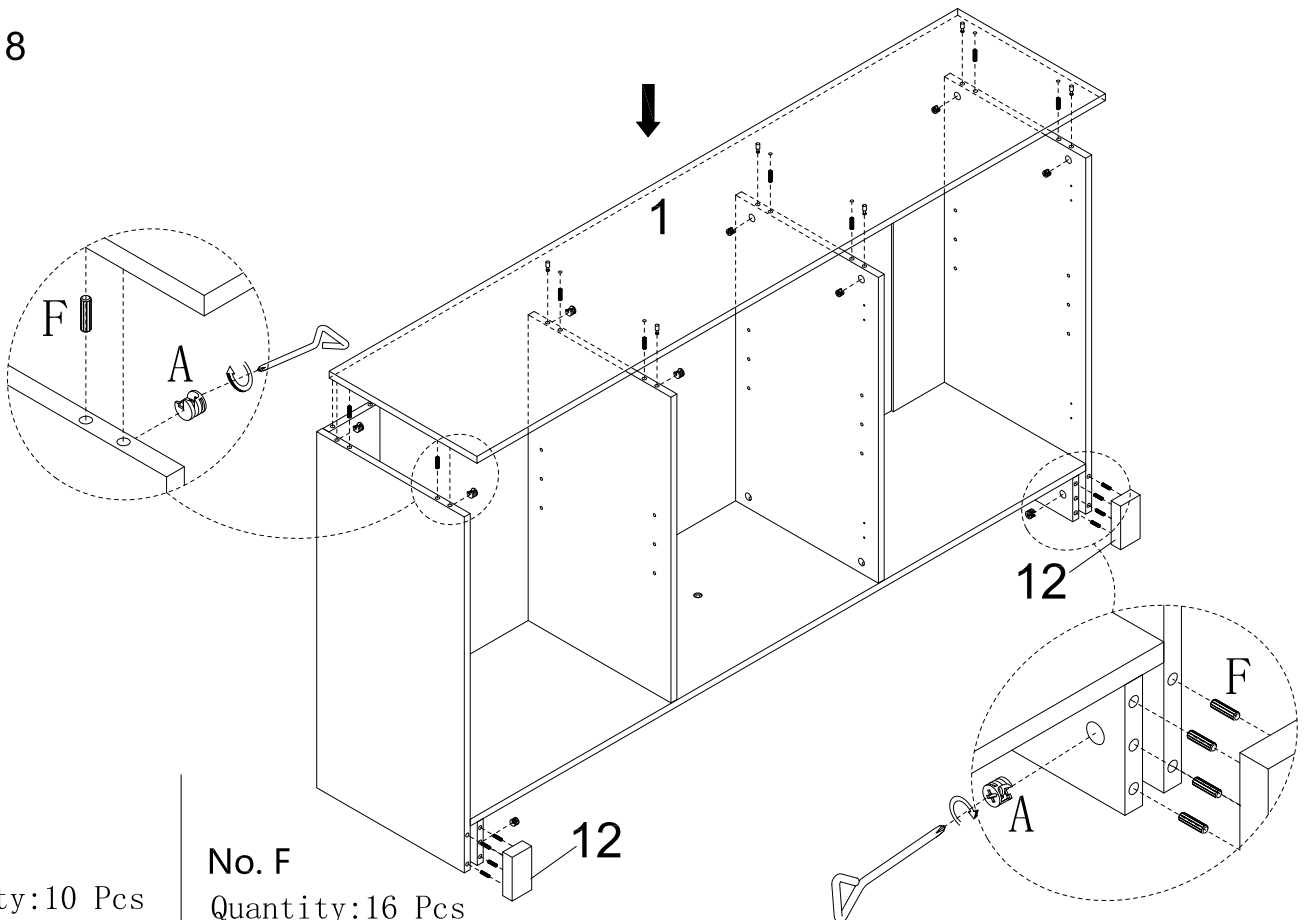
STEP 7



No. A
Quantity: 4 Pcs



STEP 8

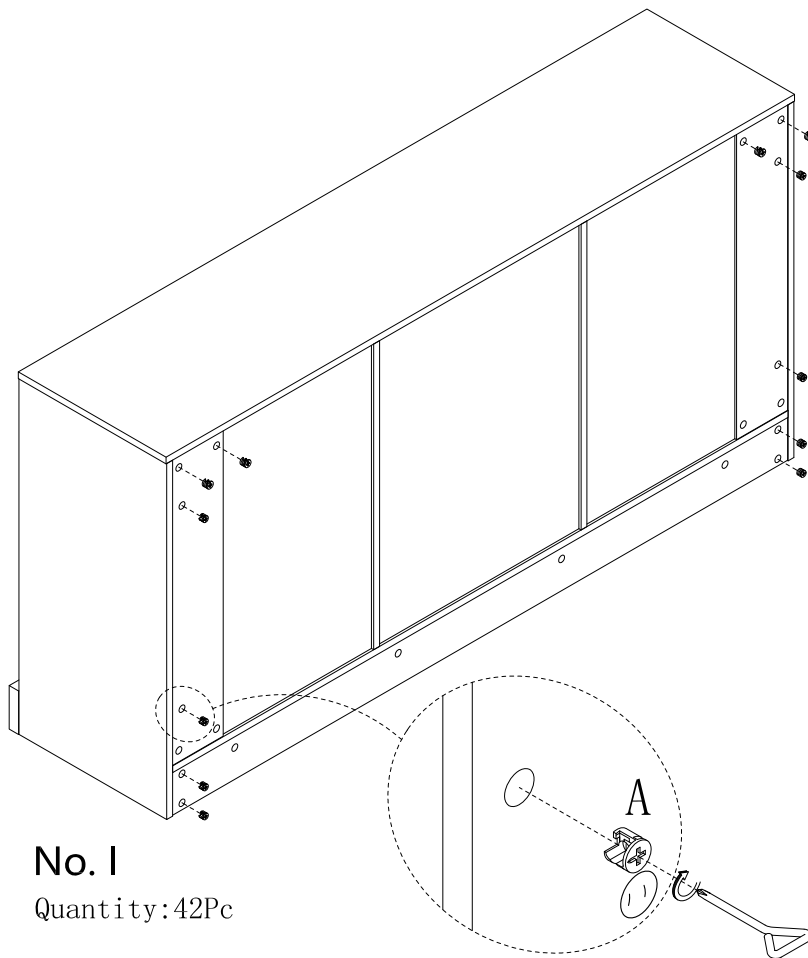


No. A
Quantity: 10 Pcs

No. F
Quantity: 16 Pcs



STEP 9



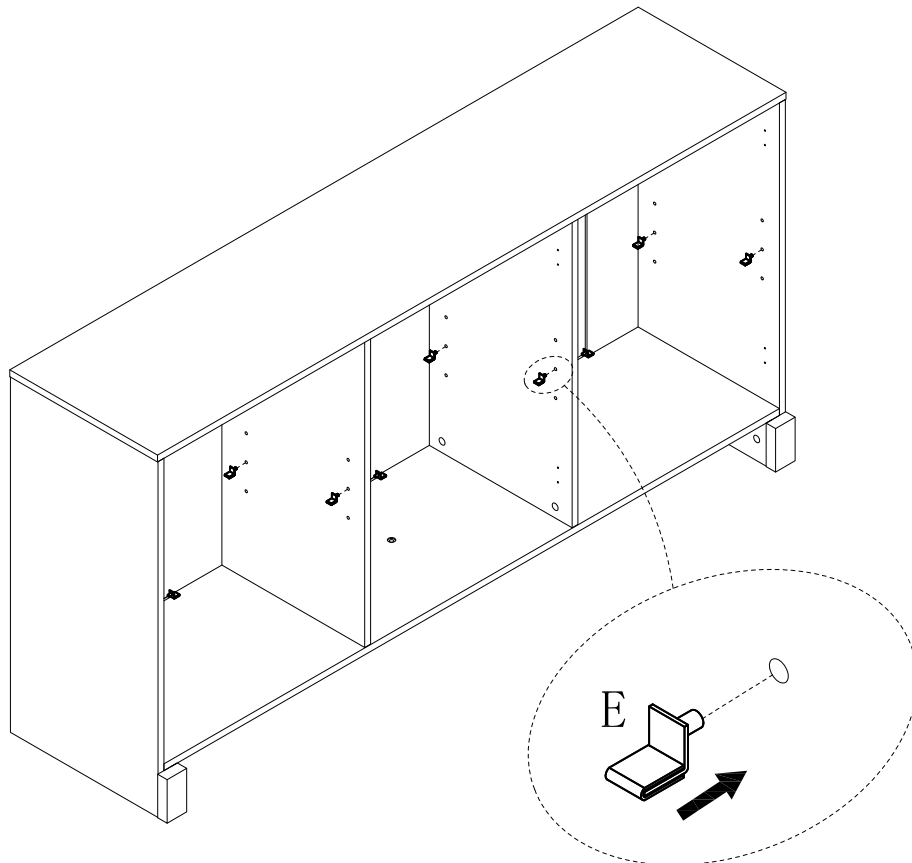
No. A
Quantity:12 Pcs



No. I
Quantity:42Pc



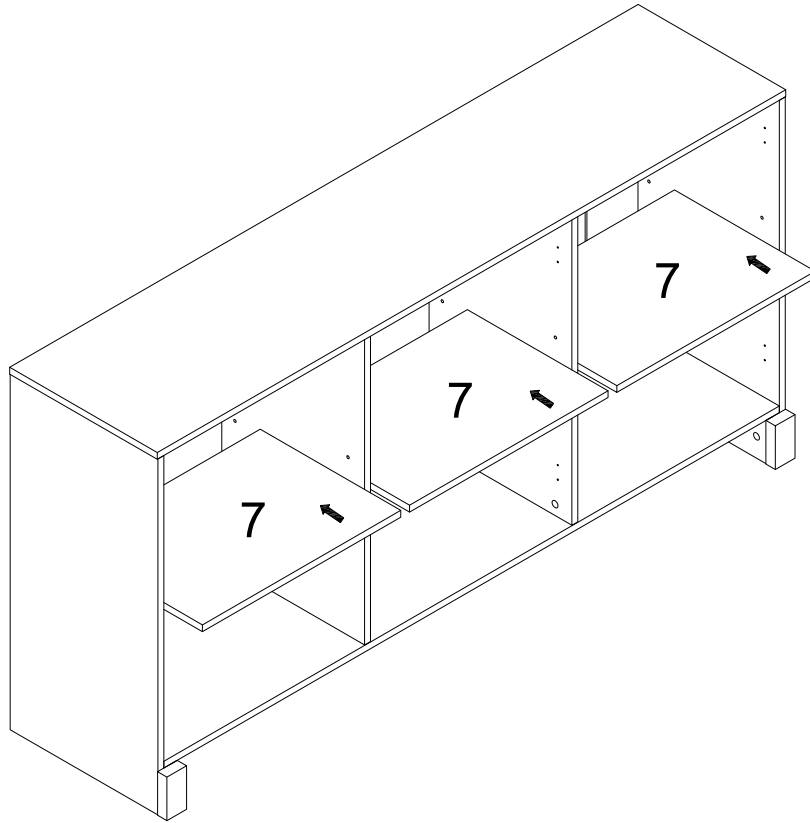
STEP 10



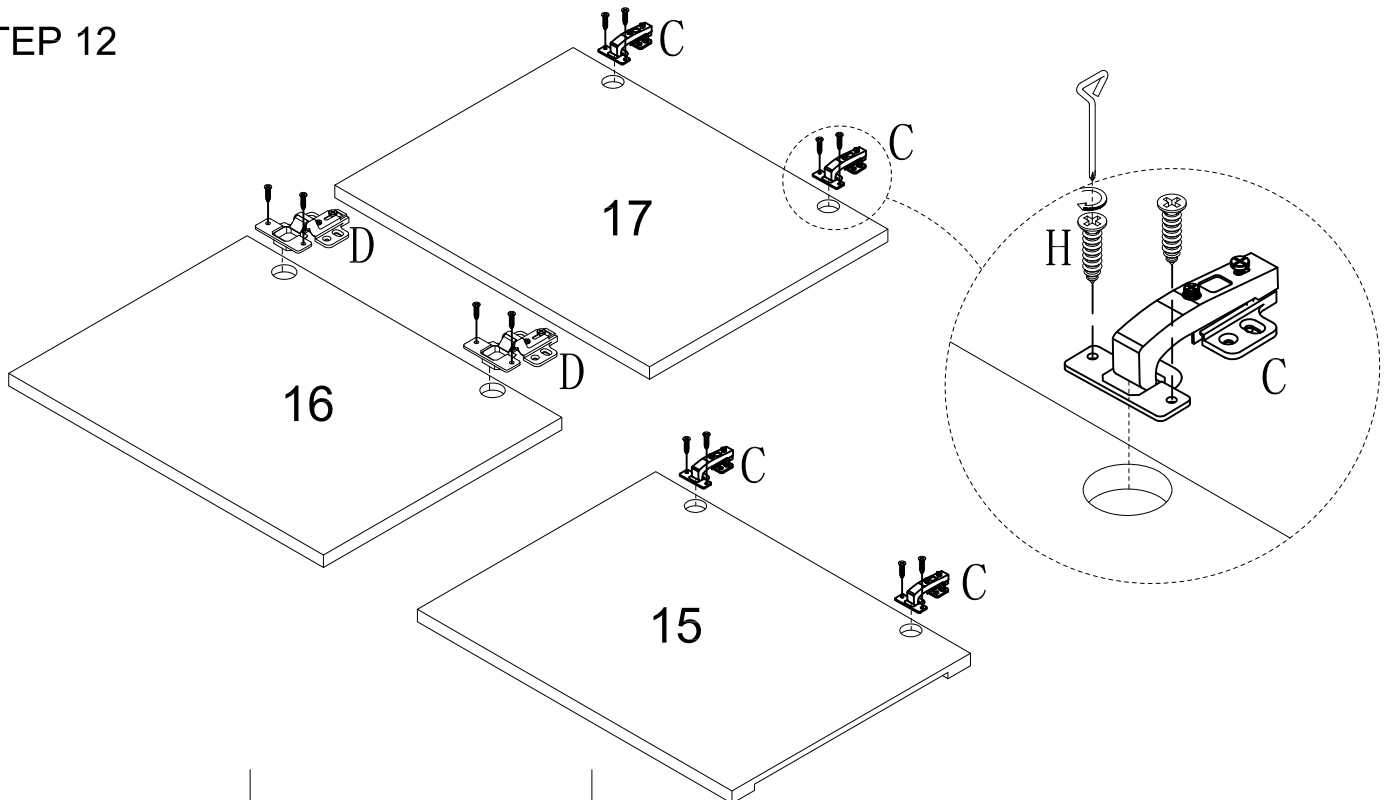
No. E
Quantity:12 Pcs



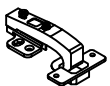
STEP 11



STEP 12



No. C
Quantity: 4 Pcs



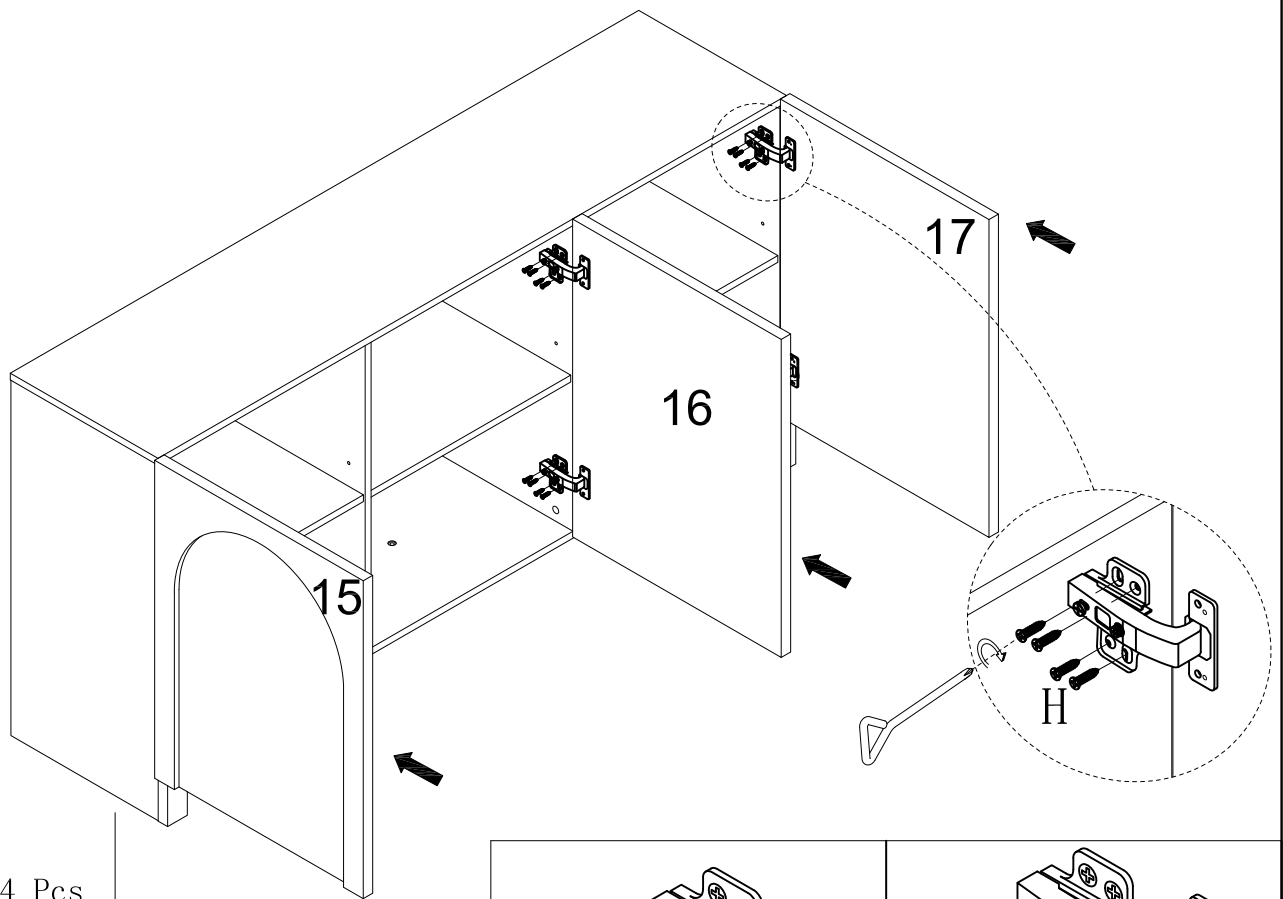
No. D
Quantity: 2 Pcs



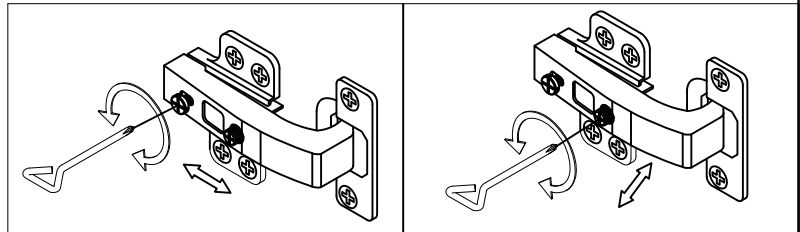
No. H
Quantity: 12 Pcs



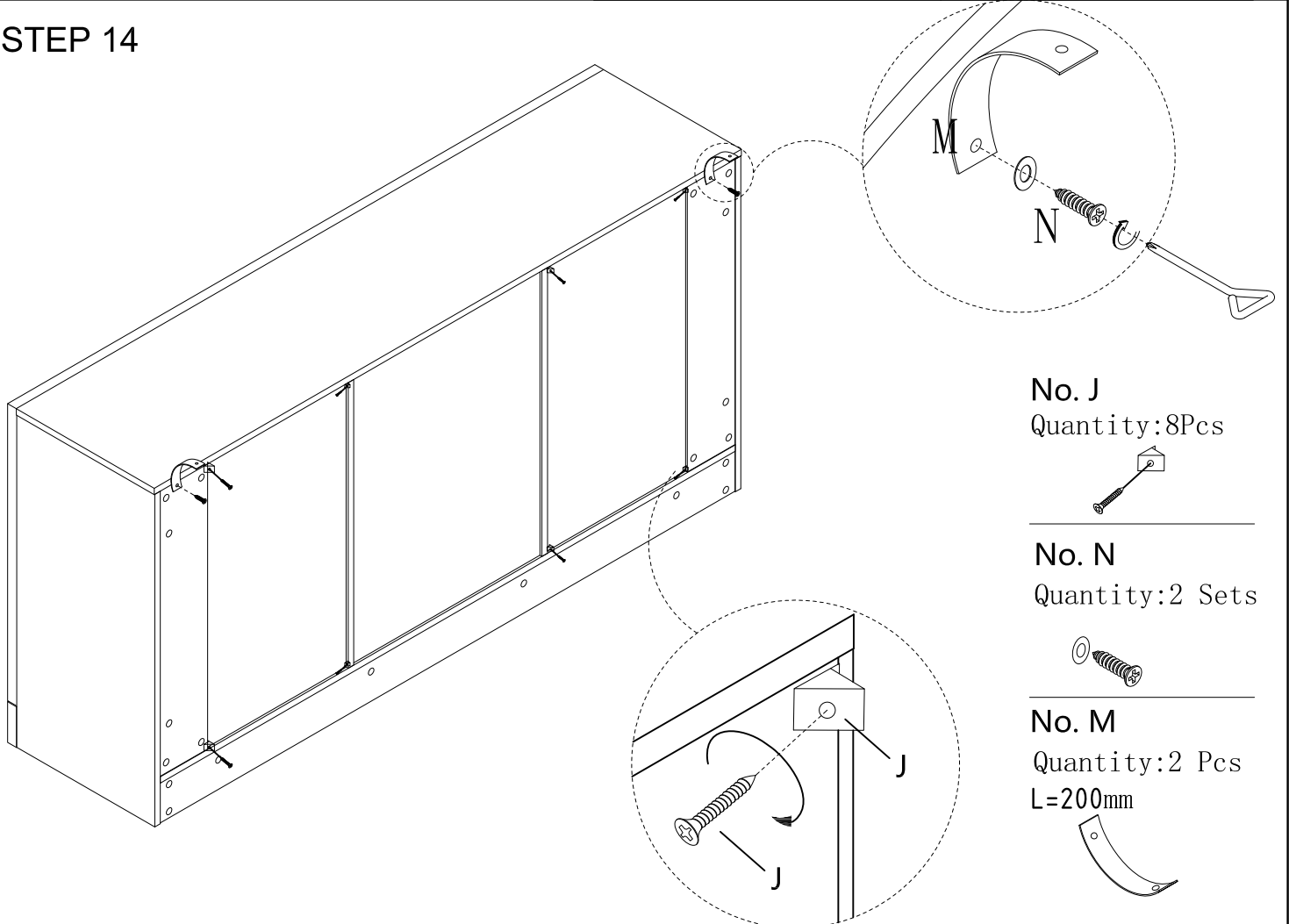
STEP 13



No. H
Quantity: 24 Pcs



STEP 14



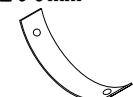
No. J
Quantity: 8 Pcs



No. N
Quantity: 2 Sets

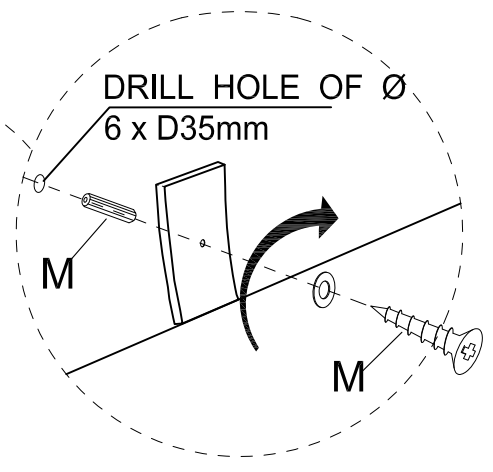
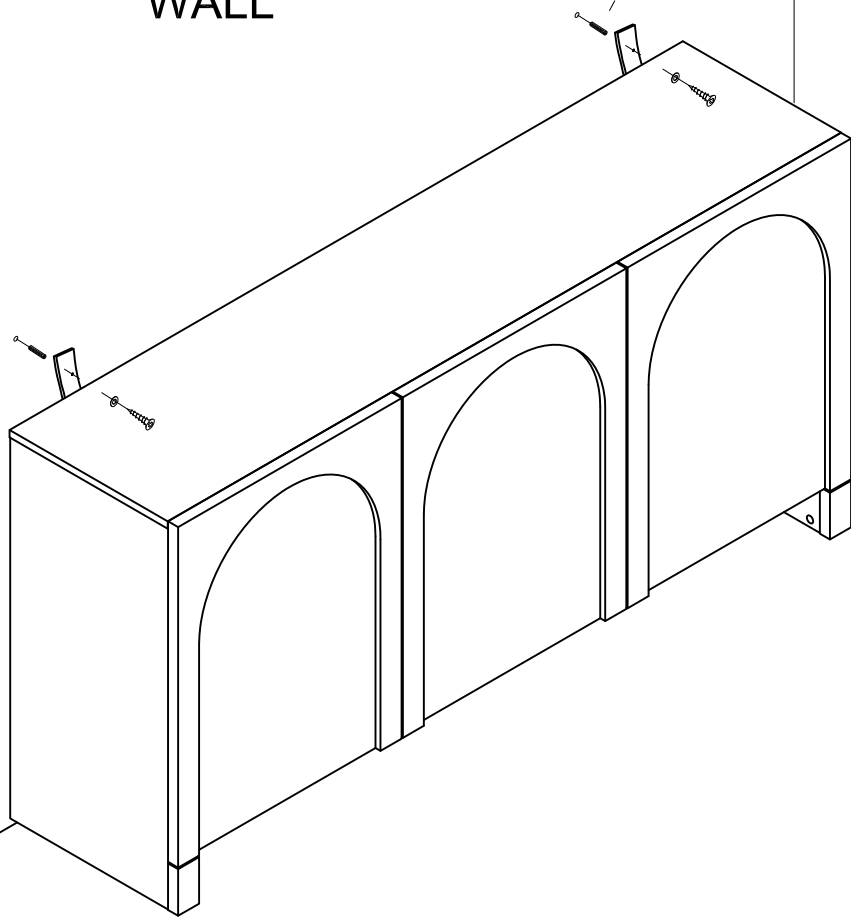


No. M
Quantity: 2 Pcs
L=200mm

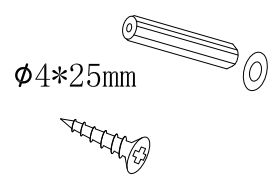


STEP 15

WALL



No. M
Quantity: 2 Pcs



Great job. You're done!

Don't forget to share how it looks in
your space and tag us on Instagram.

@lifelyhome #homewithlifely!