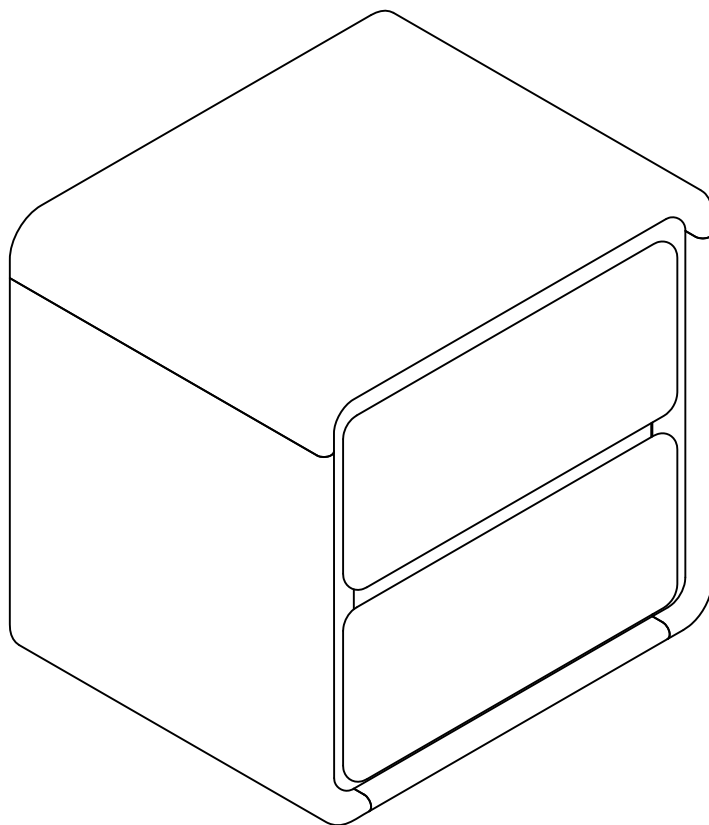


# Assembly Instructions

Adelin Series



# Lifely\*

## Product Code

ADLN-BT-WHT Adelin Bedside Table

## Dimensions (W x D x H)

500\*400\*500mm

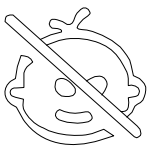
---

## Important

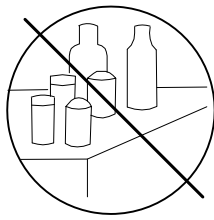
Please read through instruction carefully  
Before assembly and keep for future reference.

For our full catalogue of assembly instructions,  
Visit: [lifely.com.au/assembly](http://lifely.com.au/assembly).

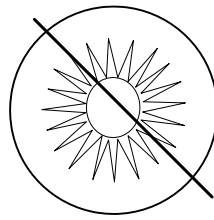
## Important Tips and Maintenance



1. Keep children and animals away from working area as smaller parts may cause choking if swallowed.



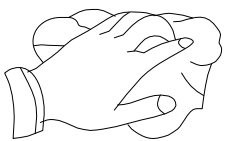
2. Never place liquids or anything damp upon furniture as it will mark. Ensure a coaster or running is beneath.



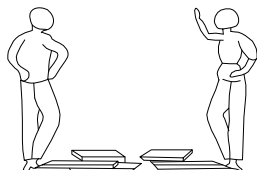
3. Never use ammonia based cleaning products as it will damage the finish.



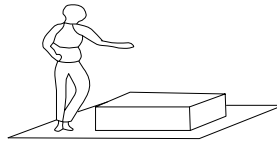
4. To avoid fading, keep furniture out of direct sunlight.



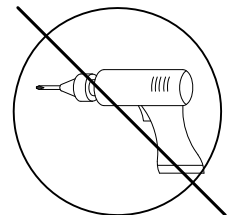
5. Use a soft or damp cloth(dry cloth)when wiping or cleaning surfaces.



6. Two person are required.



7. Lay a soft matt down to protect the furniture piece before and during assembly.



8. NO POWER TOOLS

So your relationship is strong. But is it flat-pack furniture strong? Unless you're an aerospace engineer, assembling furniture can be slightly stressful. We recommend meditating quietly, pouring yourself a herbal tea (or slightly less herbal wine) and tackling things one step at a time. If you feel a passive aggressive remark coming on, try a compliment instead. E.g. "You're so good looking."

This 7-step assembly should take around 39 minutes with an Allen key - or 26 minutes with an electric drill.

Designed for everyday

## Component Hardware

Please check you have all the fittings part or tools are listed in below.

**No. A**  
Quantity:18 Pcs  
Cam  
 $\phi$  15\*12mm



**No. B**  
Quantity:18 Pcs  
Cam Lock Dowel  
 $\phi$  7\*25



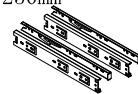
**No. C**  
Quantity:8 Pcs  
Screw  
 $\phi$  4\*35mm



**No. D**  
Quantity:24 Pcs  
Screw  
 $\phi$  3.5\*14mm



**No. E**  
Quantity:2 Set  
Slider  
250mm



**No. F**  
Quantity:10Pcs  
Wood Dowel  
 $\phi$ 8\*30mm



**No. G**  
Quantity:4 Pcs  
Screw  
M6\*25mm



**No. H**  
Quantity:18Pc  
Cover  
 $\phi$  20mm



**No. I**  
Quantity:1 Pc  
Key  
5mm



**No. J**  
Quantity:1 Pair  
Gloves



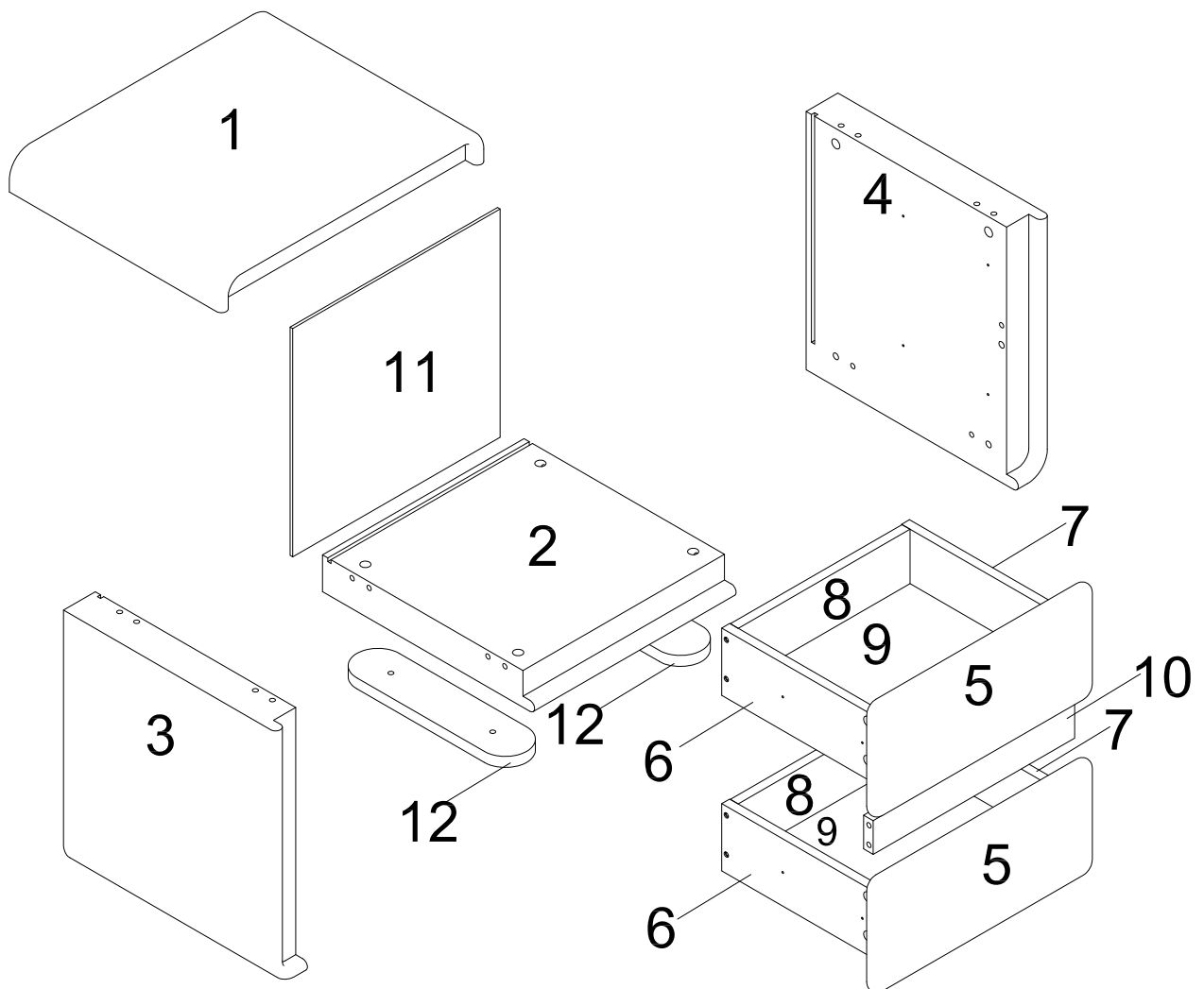
**No. K**  
Quantity:4 Pcs  
Angle plastic  
 $\phi$  3\*18mm



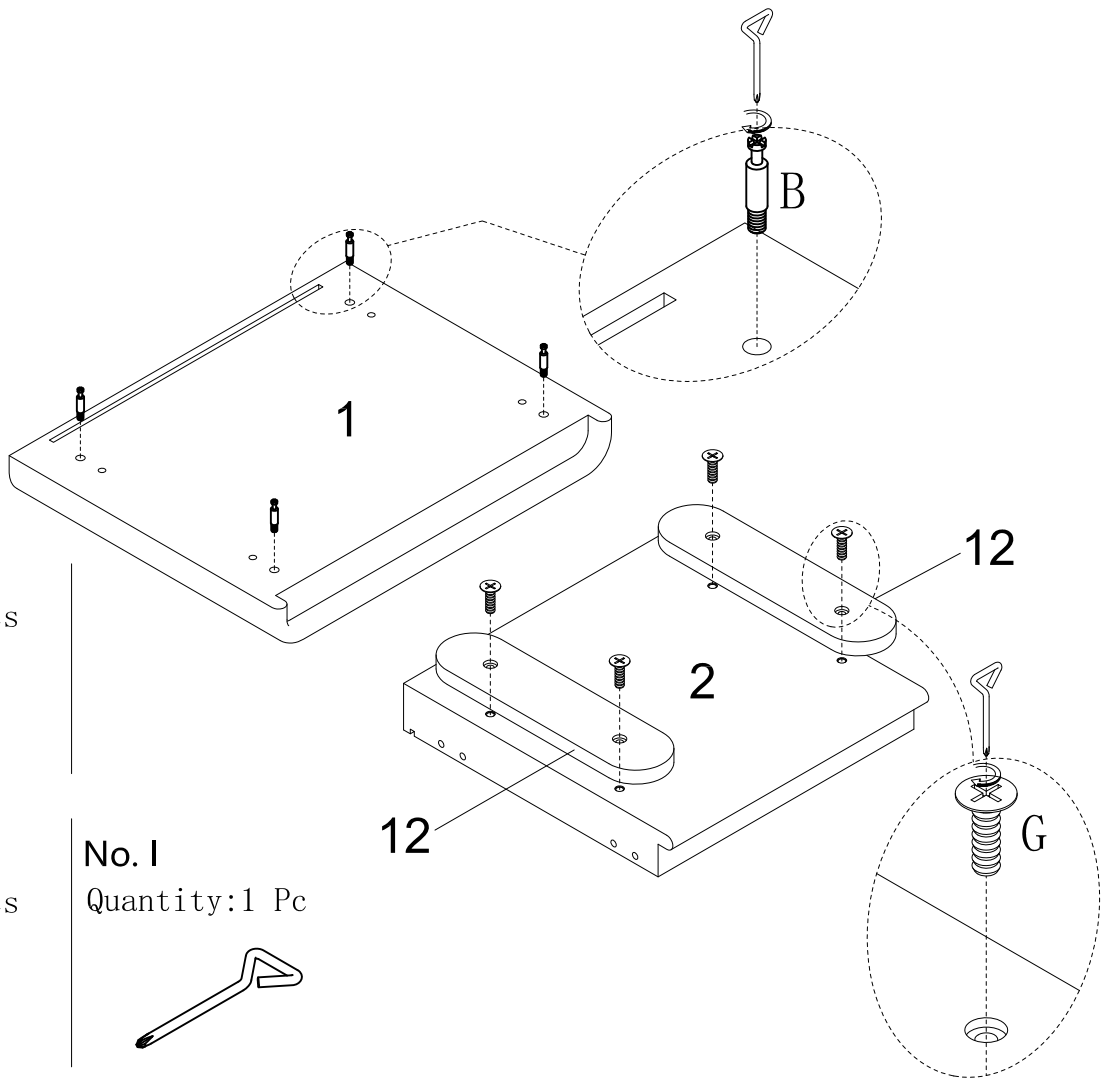
## Component Panels & part List

Please check you have all the panels are listed below.

1. Top Panel- - - - -x1
2. Bottom Panel- - - - -x1
3. Side Panel-Left- - - - -x1
4. Side Panel-Right- - - - -x1
5. Drawer Front Panel- - - -x2
6. Drawer Side Panel-Left x2
7. Drawer Side Panel-Right x2
8. Drawer Back Panel- - - -x2
9. Drawer Bottom Panel- - - -x2
10. Support Panel- - - - -x1
11. Back Panel- - - - -x1
12. Foot Panel- - - - -x2



# STEP 1



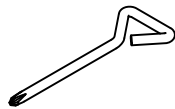
No. G  
Quantity:4 Pcs



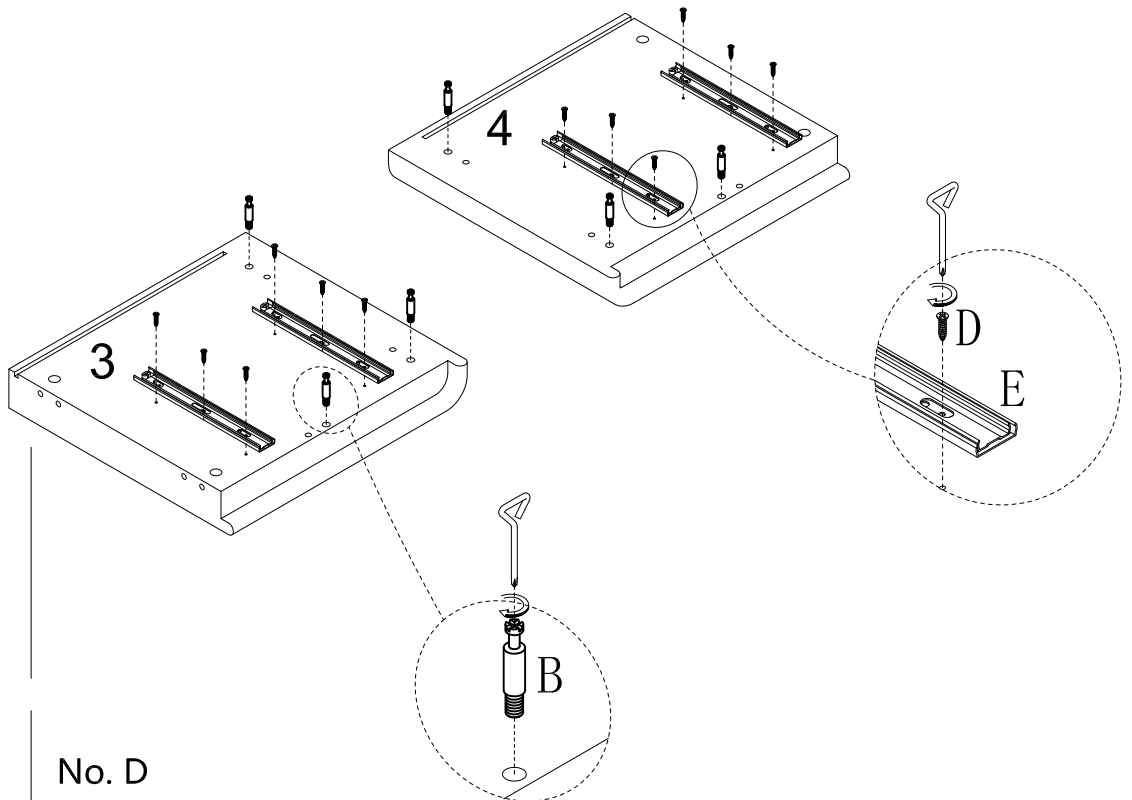
No. B  
Quantity:4 Pcs



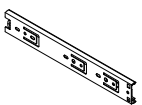
No. I  
Quantity:1 Pc



# STEP 2



No. E  
Scrw:4 PCS



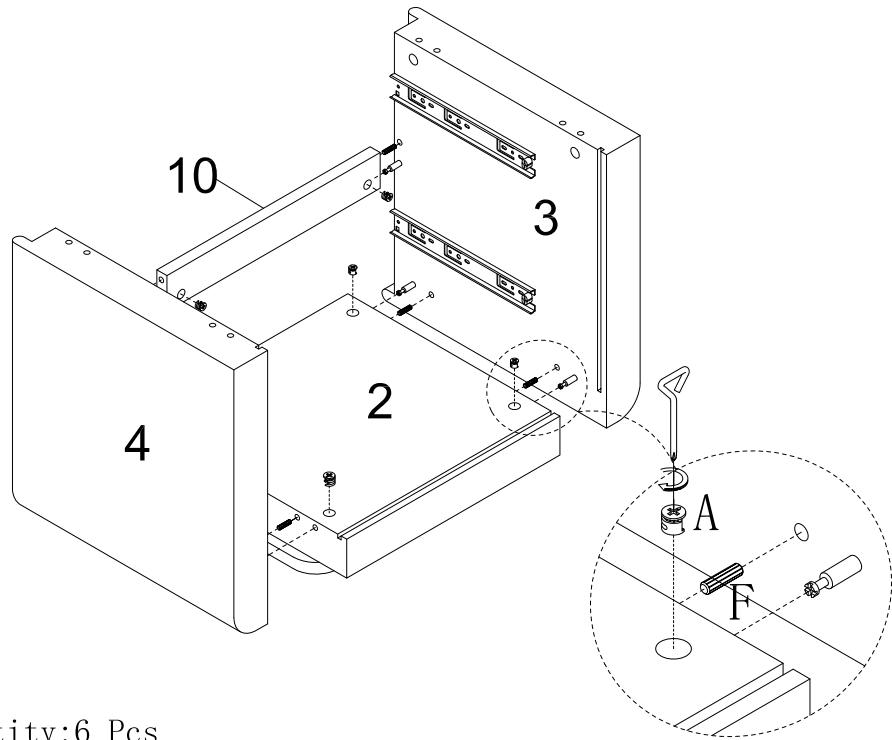
No. B  
Quantity:6 Pcs



No. D  
Quantity:12 Pcs



### STEP 3



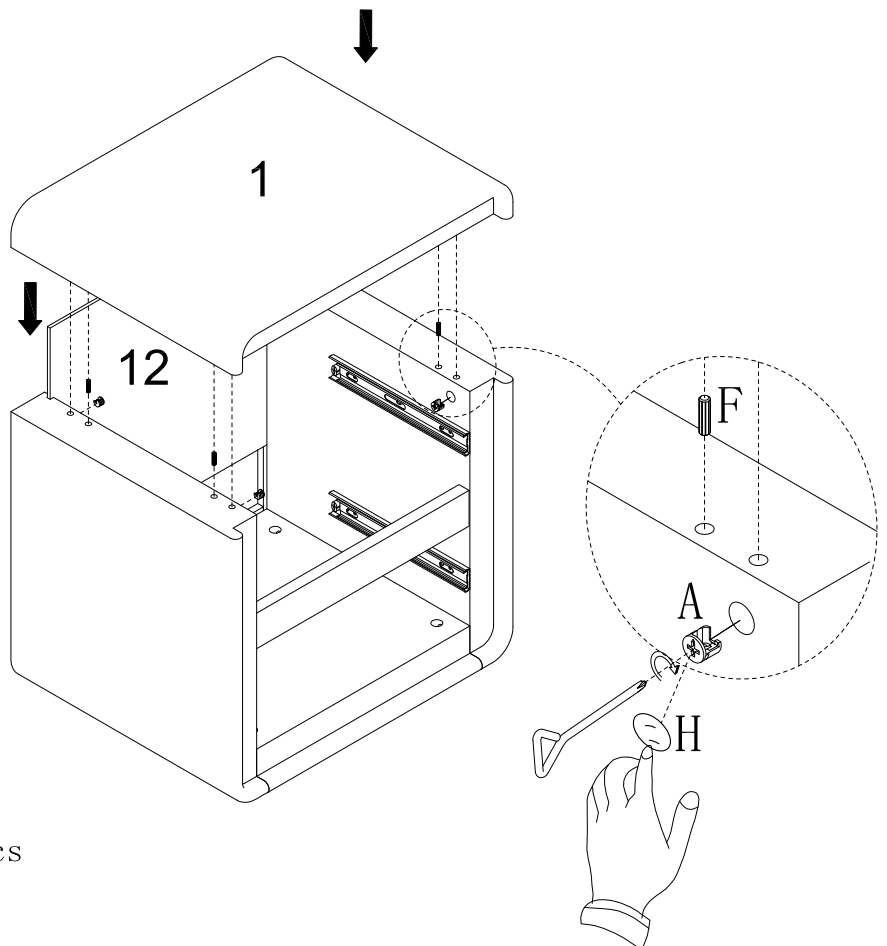
No. A  
Quantity:6 Pcs



No. F  
Quantity:6 Pcs



### STEP 4



No. H  
Quantity:18 Pcs



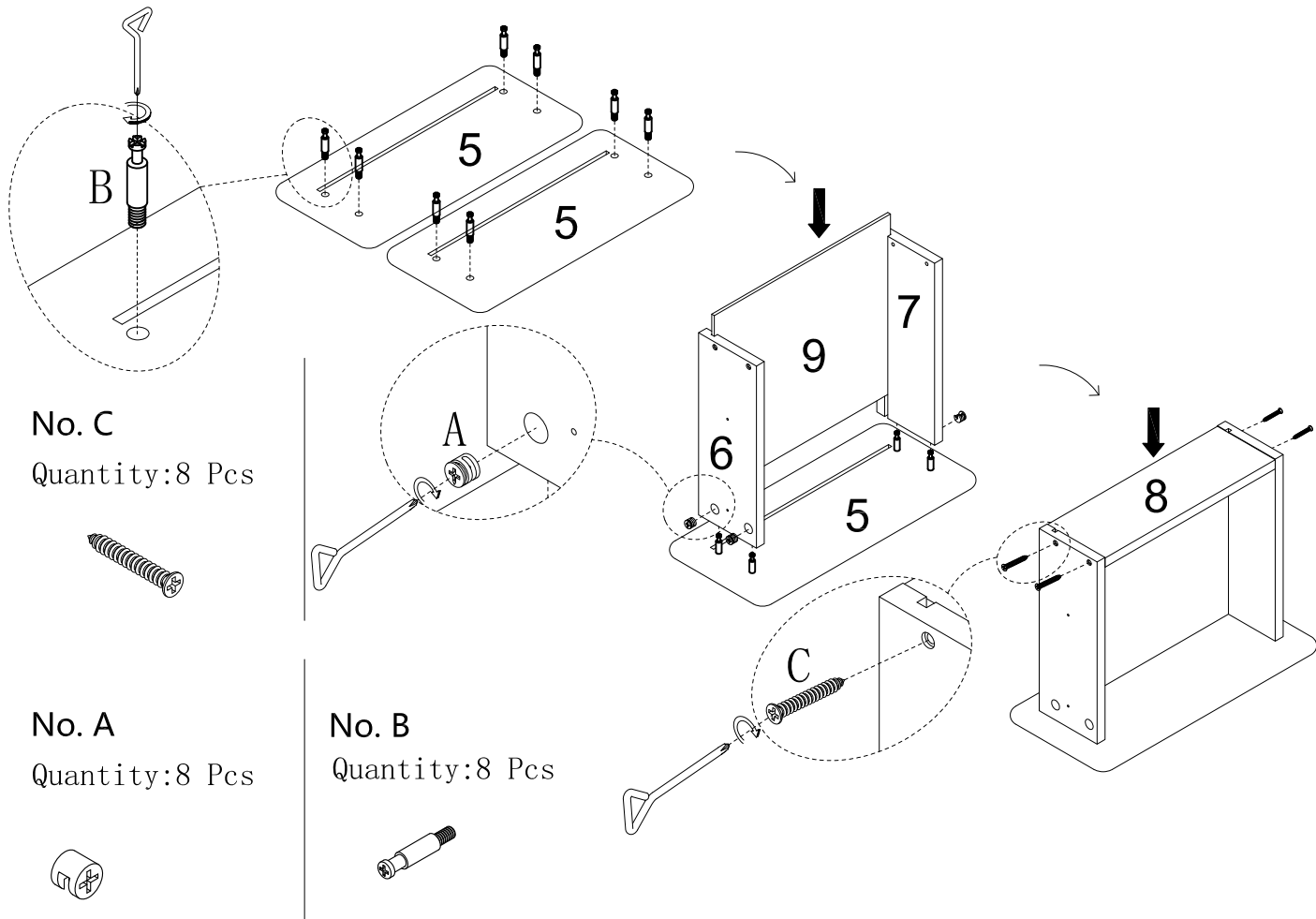
No. A  
Quantity:4 Pcs



No. F  
Quantity:4 Pcs



# STEP 5



No. C  
Quantity: 8 Pcs



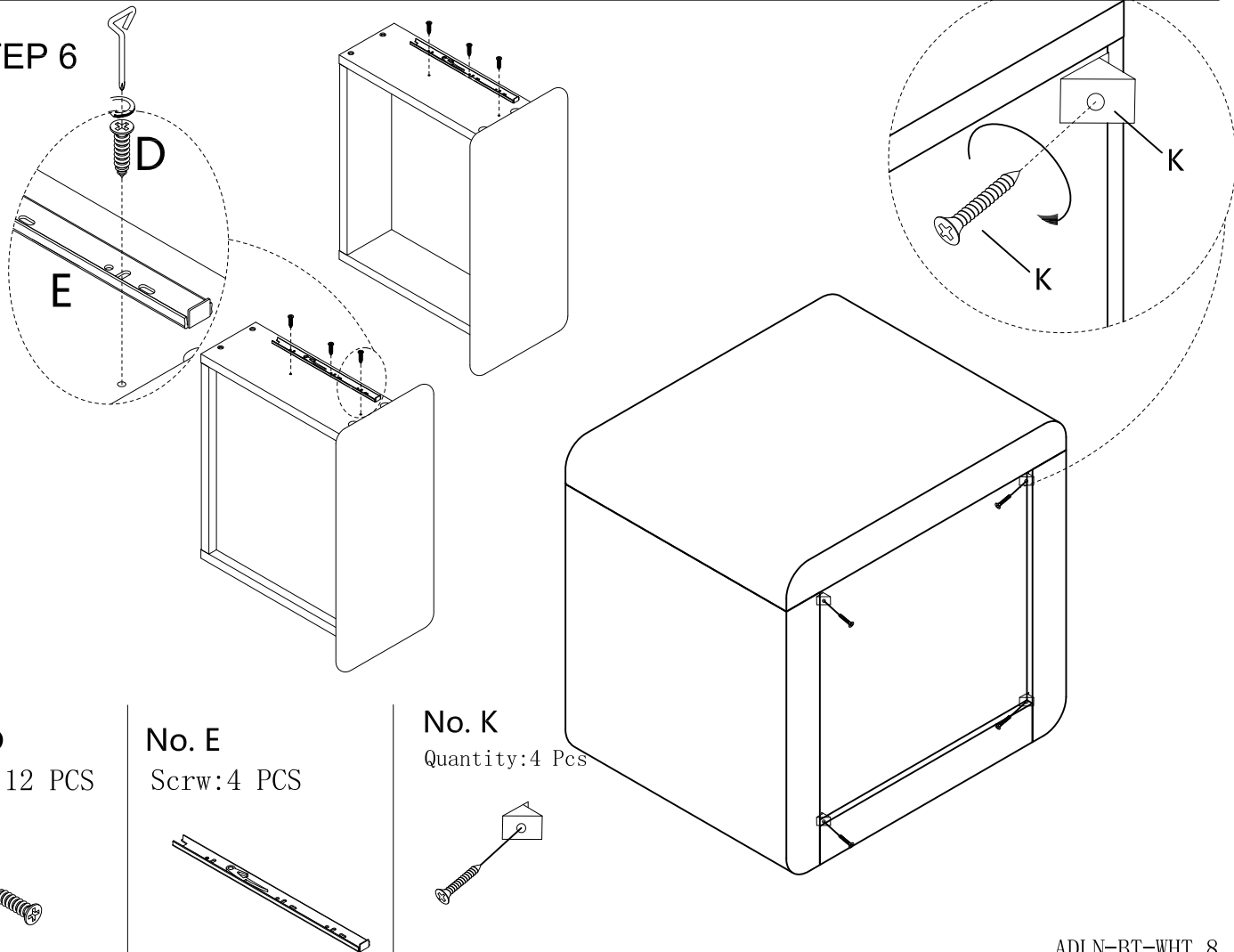
No. A  
Quantity: 8 Pcs



No. B  
Quantity: 8 Pcs



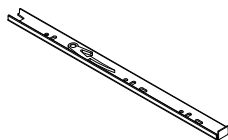
# STEP 6



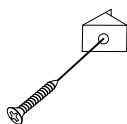
No. D  
Screw: 12 PCS



No. E  
Screw: 4 PCS

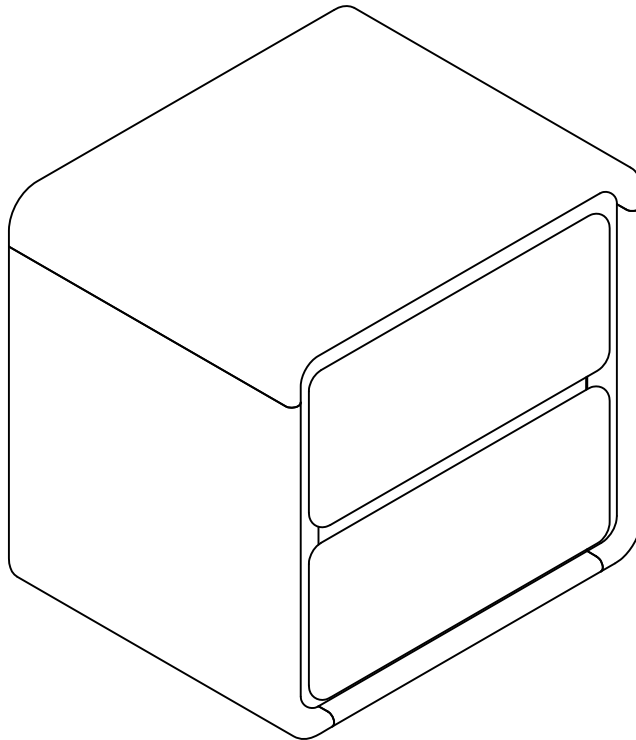
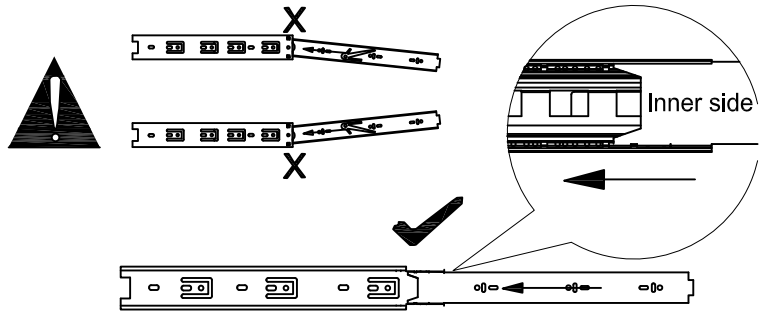
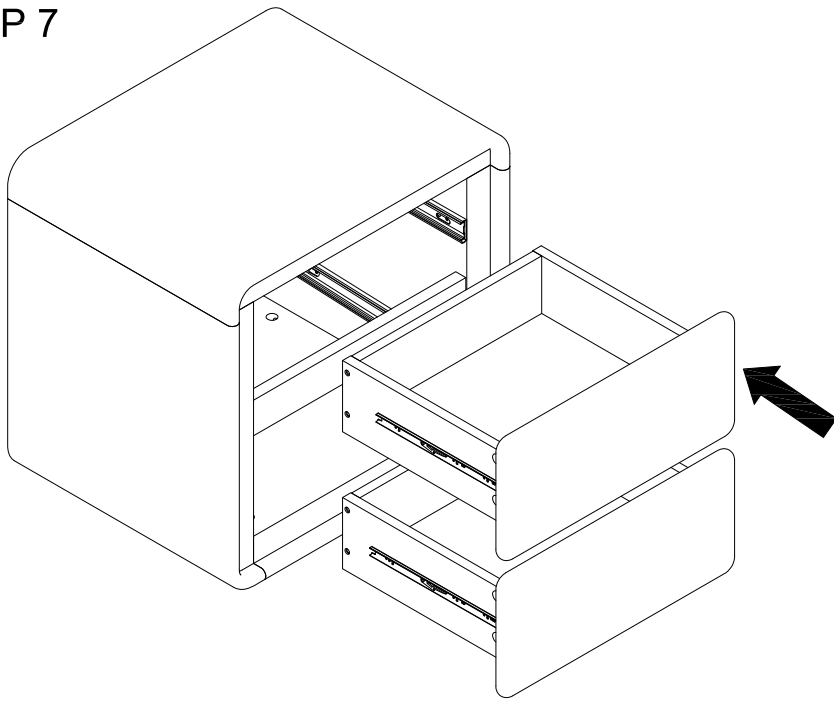


No. K  
Quantity: 4 Pcs





# STEP 7



lifely.com.au

Great job. You're done!

Don't forget to share how it looks in  
your space and tag us on Instagram.

@lifelyhome #homewithlifely!