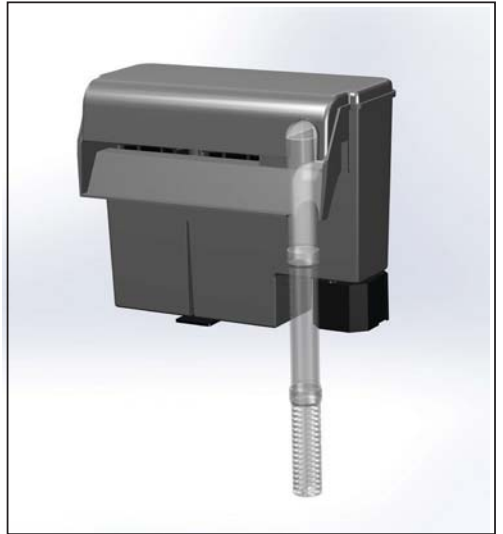


# Supreme

## EZ CLEAN™

### External Aquarium Filter

Model 01105



The Supreme EZ CLEAN FILTER is a multifunction aquarium appliance. It provides water filtration with dual cartridges to filter water mechanically removing debris, chemically with the carbon impregnated filter pads and biologically with porous ceramic media that promotes growth of helpful bacteria. Additionally, the filter includes a gravel cleaning device to directly pull debris from the gravel bed using the integral pump. Note that the gravel cleaner should not be used for sand beds, only gravel. As a third feature the filter functions as a water changer by utilizing the power of integral pump to redirect water to a drain tube for disposal. After dirty water has been discarded, the tubing assembly can be used to reintroduce clean water without disrupting the aquarium set-up.

## IMPORTANT SAFETY INSTRUCTIONS

**WARNING** - To guard against injury, basic safety precautions should be observed, including the following:

### READ AND FOLLOW ALL SAFETY INSTRUCTIONS

**DANGER** - To avoid possible electric shock, special care should be taken in the usage of aquarium equipment. For each of the following Situations, do not attempt repairs yourself; return the appliance to an authorized service facility for service or discard the appliance.

1. A. If the appliance shows any sign of abnormal water leakage, immediately unplug from the power source.

B. Do not operate any appliance if it has a damaged cord or plug, or if it is dropped or damaged in any manner.

C. To avoid the possibility of the appliance plug or receptacle getting wet, position aquarium stand and tank to one side of a wall mounted receptacle to prevent water from dripping onto the receptacle or plug. A "drip loop," shown in the Figure at right should be arranged by the user for each cord connecting an aquarium appliance to a receptacle. The "drip loop" is that part of the cord below the level of the receptacle or the connector if an extension cord is used, to prevent water traveling along the cord. If the plug or receptacle does get wet, DON'T unplug the cord. Disconnect the fuse or circuit breaker that supplies power to the appliance. Then unplug and examine for presence of water in the receptacle.

2. Close supervision is necessary when any appliance is used by or near children.

3. To avoid injury, do not contact moving parts or hot parts such as heaters, reflectors, lamp bulbs, etc.

4. Always unplug an appliance from an outlet when not in use, before putting on or taking off parts, and before cleaning. Never yank cord to pull plug from outlet. Grasp the plug and pull to disconnect.

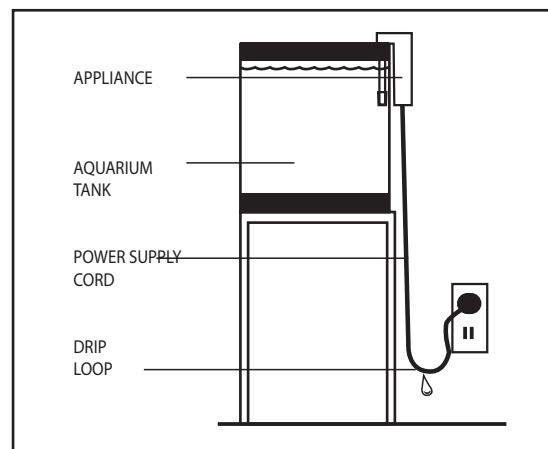
5. Do not use an appliance for other than intended use. The use of attachments not recommended or sold by the appliance manufacturer may cause an unsafe condition.

6. Do not install or store the appliance where it will be exposed to the weather or to temperatures below freezing.

7. Make sure an appliance mounted on a tank is securely installed before operating it.

8. Read and observe all the important notices on the appliance.

9. If an extension cord is necessary, a cord with a proper rating should be used. A cord rated for less amperes or watts than the appliance rating may overheat. Care should be taken to arrange the cord so that it will not be tripped over or pulled.



### SAVE THESE INSTRUCTIONS

# ASSEMBLY

1) Unpack filter. Make sure you have all parts listed on parts diagram. Inspect product for any damage.

2) Remove power unit from packaging and install in filter box. Turn filter box upside down so that the lip of the filter box faces forward. (FIG 1) Position power unit so power cord faces forward. Push down on the power unit with a firm, even pressure so that "O" ring on power unit seats properly. Turn power unit counter-clockwise 90 degrees (1/4 turn) (FIG 2) until it snaps into place. (FIG 3)

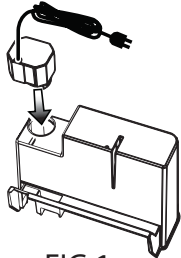


FIG 1

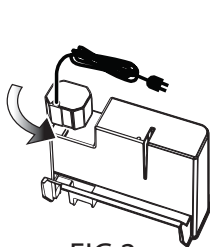


FIG 2

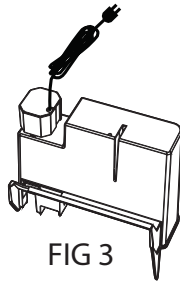
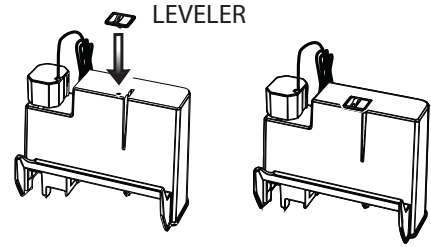


FIG 3

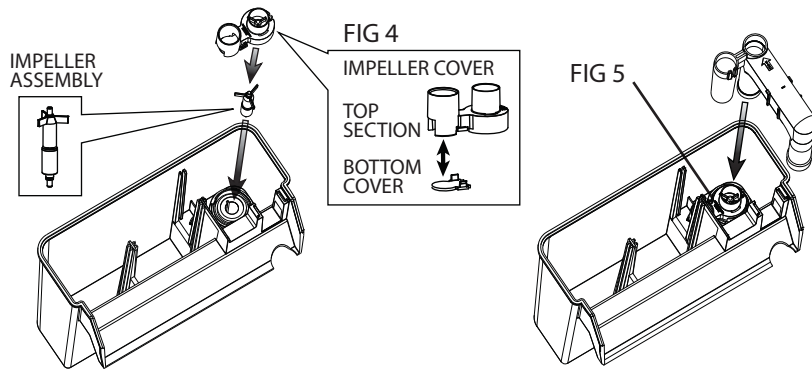
3) Attach the leveler to the opening on the bottom of the filter box. It has four positions to keep the filter level; adjustment will be made by rotating the leveler after the filter is in position on the aquarium frame.



4) Carefully insert the impeller into opening on the mounted motor until it is seated at the bottom.

5) Impeller cover is shipped pre-assembled with a top section and bottom cover. Check that assembly is complete before installing. (FIG 4) Align and place the impeller cover over the impeller until it is fully seated at bottom of filter box (FIG 5).

6) Assemble the intake tube onto the filter box as shown. Tube must be aligned properly with impeller cover and be fully seated.



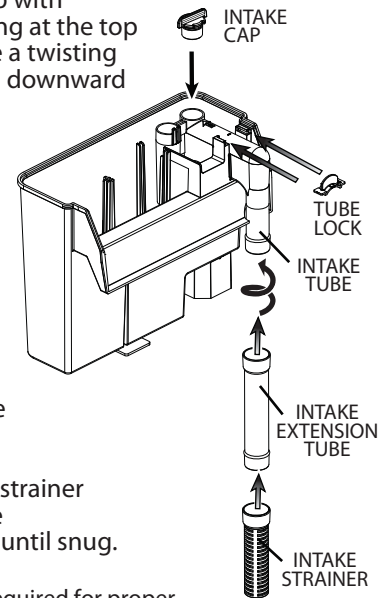
7) Insert the intake cap with O-Ring into the opening at the top of the intake tube. Use a twisting motion while pressing downward until it is secure.

8) Slide tube-lock into the slots in the filter box as shown. If it does not slide into place the intake tube is not properly aligned and seated.

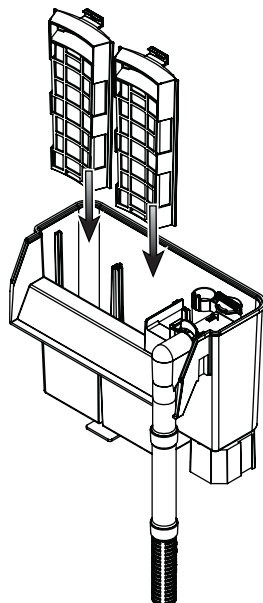
\*9) Attach the intake extension tube to the open end of the intake tube until snug.

\*9a) Attach the intake strainer to the open end of the intake extension tube until snug.

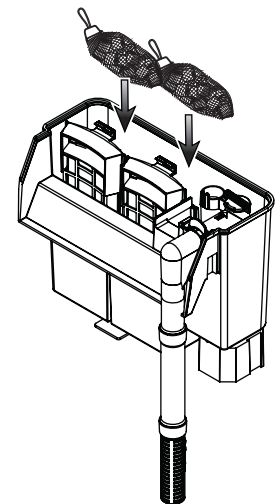
\* A snug fit is all that is required for proper operation. Do not use excessive force in assembly steps 9 & 9a.



10) Insert the filter cartridges into the slots on the inside of the filter box. The cartridges should seat on all sides including the bottom. The cartridges should be placed so that the white polyester side faces into the filter box and the black carbonized material faces toward the aquarium.

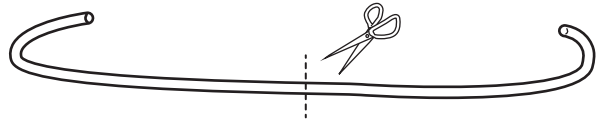


11) Place ceramic bio-media at bottom of filter box behind the filter cartridges. Media can be distributed loosely into filter box or remain in filter bags.

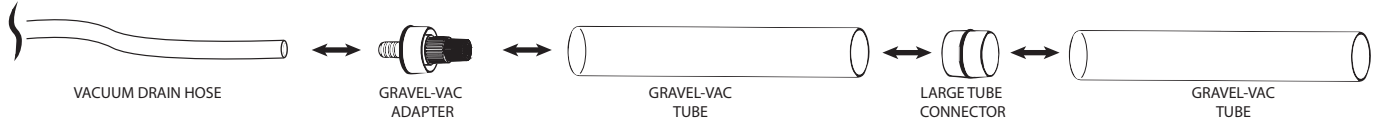


## ASSEMBLY continued

12) Carefully cut flexible Vacuum/Drain hose into two equal lengths and set aside. This will be used for both gravel cleaning and drain functions.



13) Assemble gravel cleaner as shown. Attach one of the gravel-vac tubes to the gravel-vac adapter. Insert the large tube connector into the remaining rigid tube and set aside for gravel cleaning in deeper aquariums.

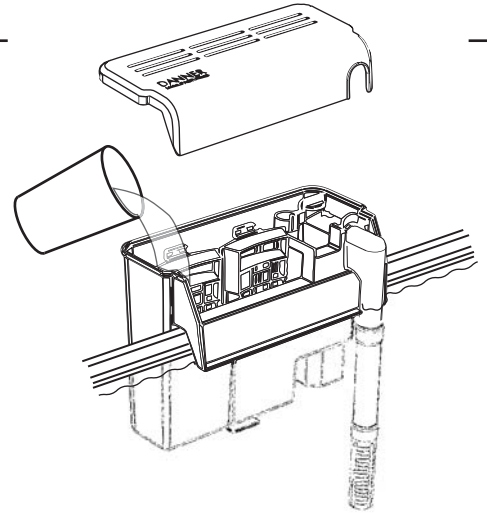


## OPERATION: With Filter Cartridges

1) Fill the filter box up to the spillway with water.

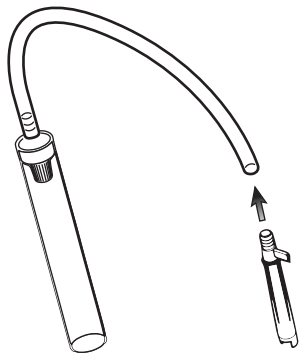
2) The aquarium should be filled from 1/2 to 1-1/2 inches from the top. Plug the power cord into a receptacle following precautions listed in IMPORTANT SAFETY INSTRUCTIONS. The filter should start automatically within approximately 30 seconds. Once operating place the filter cover onto the filter box.

3) After operating for a few minutes, the unit should be checked for leakage. If there is leakage, inspect power unit to make sure it is installed correctly on the filter box. Care should be taken when removing or reinstalling power unit on the filter box, since there is an "O" ring seal on the power unit that can be damaged if it is not handled with care. Always check after adding water after installation.

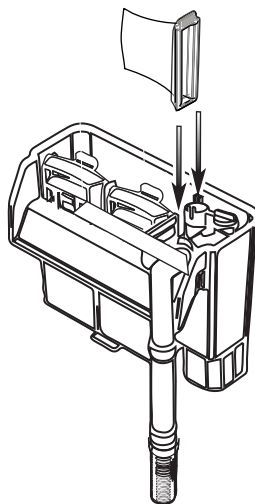


## OPERATION: Gravel Vacuum

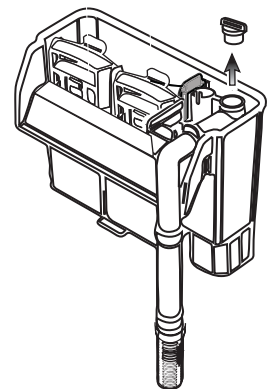
1) Complete the assembly of the gravel cleaner attachment by inserting the Drain/Fill tube into the open end of the flexible Vacuum/Drain hose section that is connected to the gravel vacuum.



2) With filter on aquarium with motor running, remove filter cover. Insert the gravel vacuum support frame / filter bag assembly with tapered end down into the tracks in the filter box as shown. The filter bag will collect large debris. The two large filter cartridges can be removed during gravel washing or left in place for extra fine particle filtration.



3) With filter motor still running, remove the vacuum cap from the intake tube and set aside. Lightly twist while pulling upward for easy removal. Do not lose the cap. Filter will make noise and water will stop running when cap is removed.

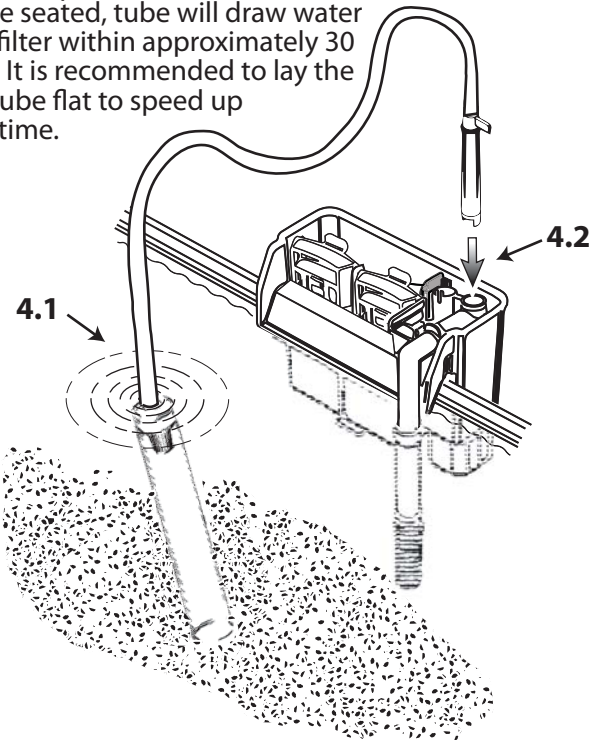


## OPERATION: Gravel Vacuum

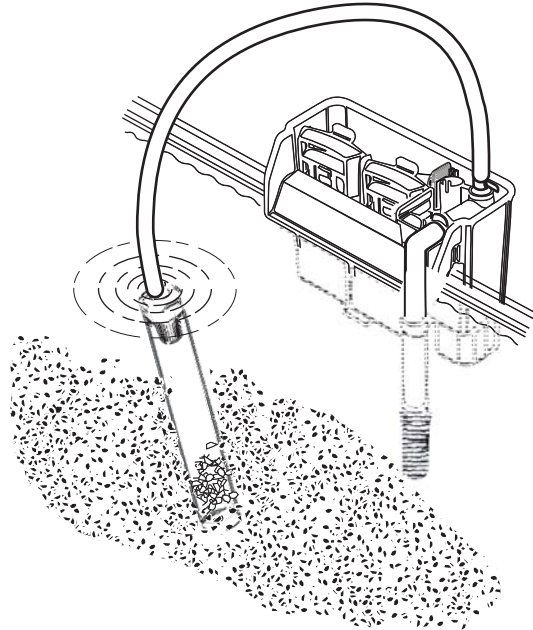
**4.1)** Submerge the gravel vacuum rigid tube in the aquarium water up to the flexible hose in order to remove excess air.

**4.2)** Insert the drain tube into the opening on the intake tube of the aquarium until seated.

**4.3)** Once seated, tube will draw water into the filter within approximately 30 seconds. It is recommended to lay the flexible tube flat to speed up priming time.



**5)** Plunge the gravel vacuum rigid tube into the gravel and slowly move about the gravel bed in a stepping motion. You will see the gravel debris going up the tube. If gravel accumulates in the tube, lift it and allow the gravel to fall out.



**6)** Note that fine silt will pass through the filter bag and filter media and may cloud the aquarium. Once the filter is returned to normal filtration the water clear up.

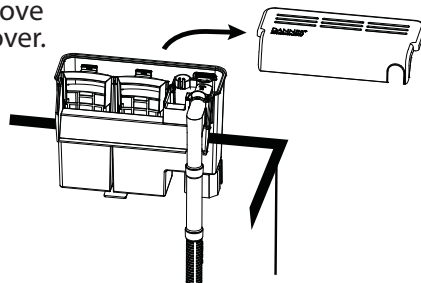
**7)** During the gravel cleaning operation the debris filter bag may clog up. Remove to a sink and backwash / rinse as needed. Repeat process as needed.

**8)** When finished, withdraw the drain hose assembly, remove frame with filter bag and replace the drain cap to the top of the intake tube. Be certain that cap is fully inserted to seal the intake tube. Rinse the filter bag and put aside to dry for future use. Cover can be placed back onto filter case.

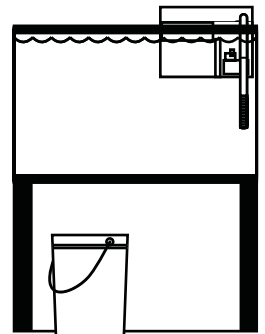
## OPERATION: Drain and Water Change

**DRAIN:** You will need to supply a bucket to capture the water as it exits the aquarium.

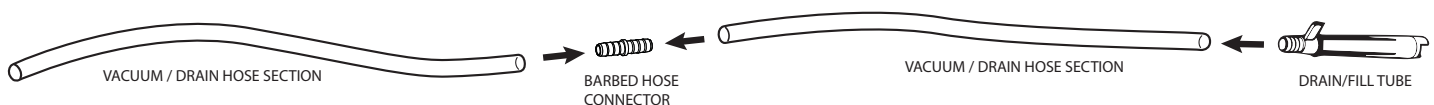
**1)** Remove filter cover.



**2)** Position a bucket below water level near the aquarium.



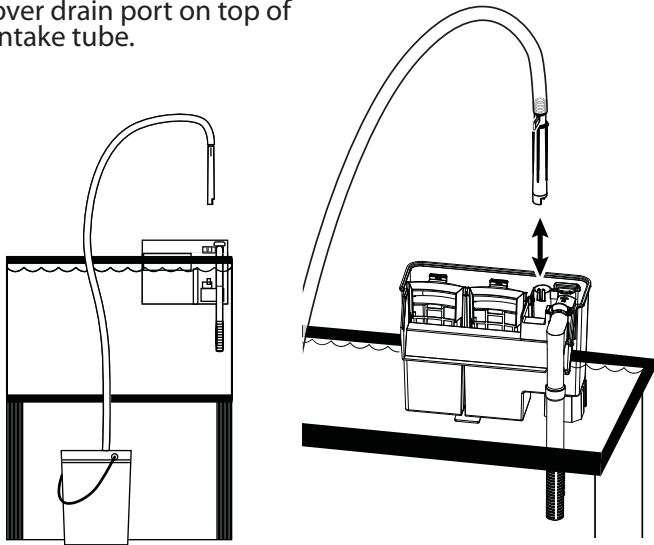
**3)** Prepare the drain hose by connecting the two pieces of the vacuum/drain hose using the barbed hose connector. Attach the Drain/Fill tube to one of the open ends.



## OPERATION: Drain and Water Change continued

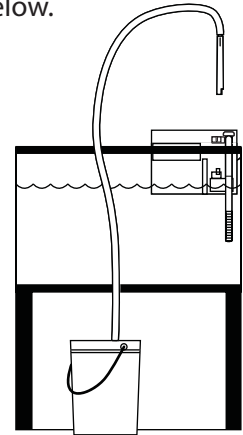
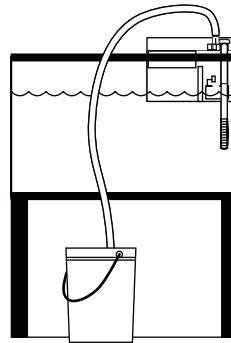
- 4)** Position open end of drain hose into a bucket.

Position Drain/Fill tube over drain port on top of intake tube.



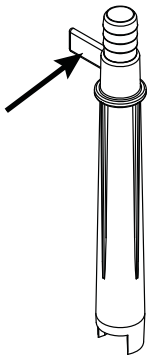
- 5)** With filter motor running, insert Drain/Fill tube down into the drain port opening on the top of the intake tube. The straight extension "flag" handle must be inserted to the bottom of the "U" slot to start water flowing. See detail A below.

Once bucket has filled enough for emptying, completely withdraw the Drain/Fill tube until it breaks the siphon and water stops flowing. Drain tube can be reinserted into "NO-FLOW" position while emptying bucket. See detail B below.

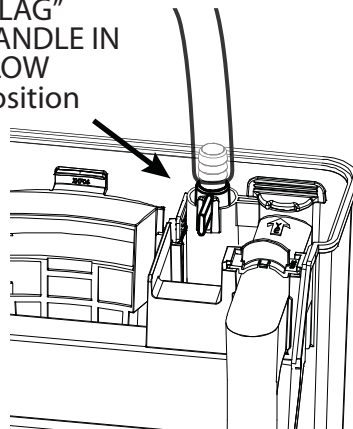


### DETAIL A

DRAIN/FILL TUBE "FLAG" HANDLE

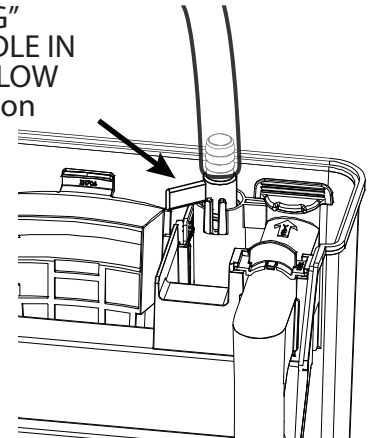


"FLAG" HANDLE IN FLOW position



### DETAIL B

"FLAG" HANDLE IN NO-FLOW position

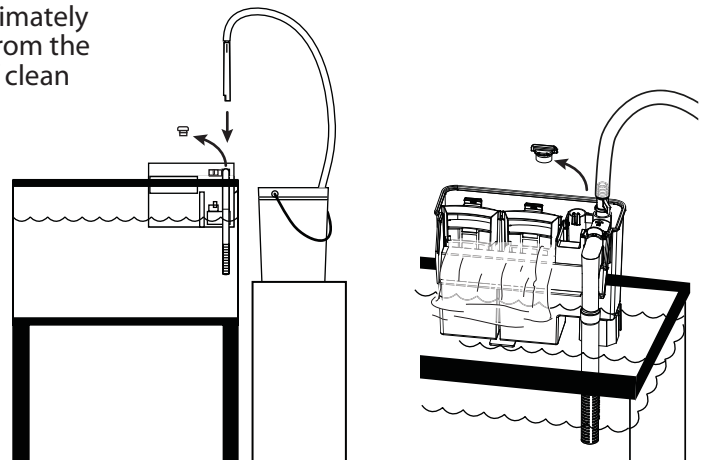


**REFILL:** Use the "VAC" port to return water to the aquarium through the filter spillway without disrupting your aquarium set-up.

- 6)** Place a bucket of clean water next to the aquarium at approximately the same height as the aquarium. Remove the extension hose from the drain hose assembly and insert the open end into the bucket of clean water.

- 7)** Remove the cap from the intake tube and insert the Drain/Fill tube into opening until it draws water from the bucket and directs it back to the filter spillway then back into aquarium. Repeat as needed.

- 8)** When finished, withdraw the Drain/Fill tube and replace the drain cap to the top of the intake tube. Be certain that cap is fully inserted to seal the intake tube. Replace filter cover and store the drain hose parts and bucket for future use.





# Maintenance

## FILTER MEDIA:

Change Filter media when water flows excessively over top of cartridge. Cartridge materials can be replaced in cartridge one at a time to allow uninterrupted aerobic bacterial filtration.

Ceramic media can be removed and agitated in water that removed from the aquarium to release build-up.

Only rinse in aquarium water to avoid killing off the useful bacteria that coat the ceramic media.

Filter bag can be backwashed in clean water or replaced when badly soiled.

SEE REPLACEMENT PARTS SECTION FOR DETAILS ON REPLACEMENT FILTER MEDIA.

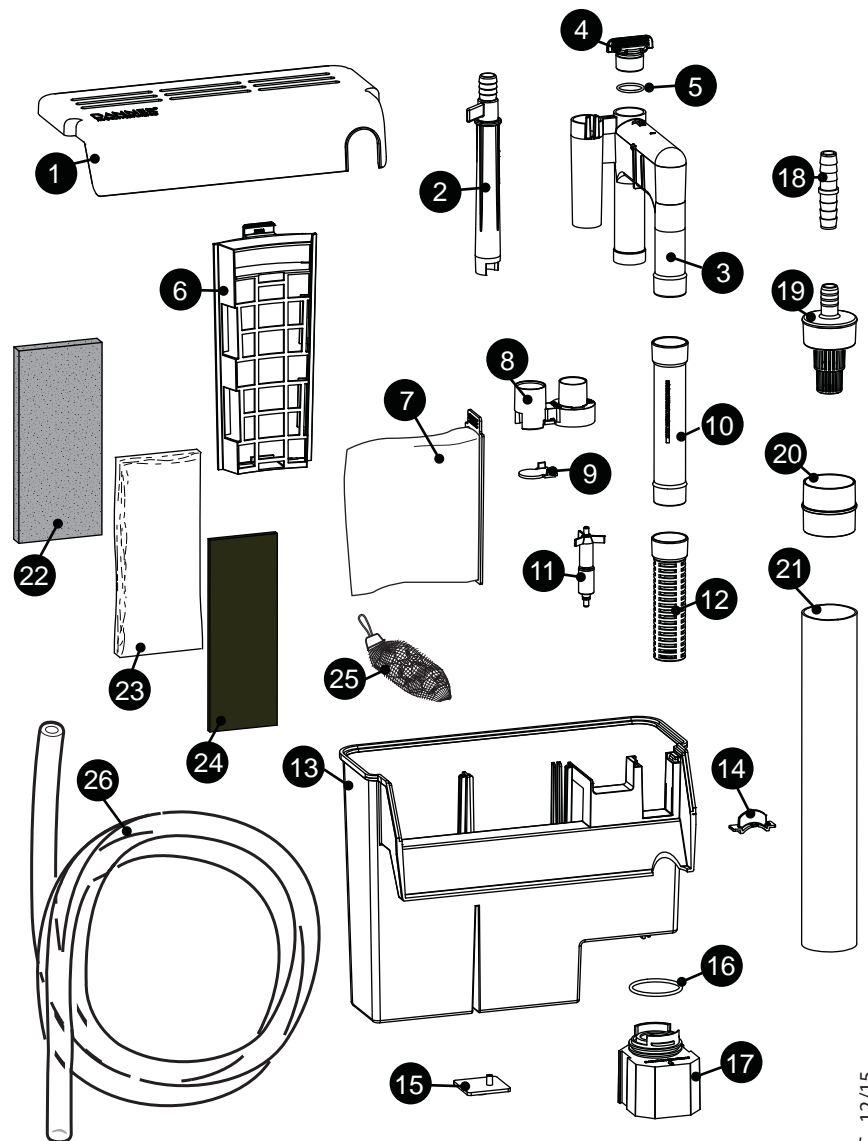
## IMPELLER & FILTER CASE:

If Impeller becomes bound up it can be removed and rinsed with water only. Reverse steps from assembly section to access impeller. Use a soft brush to remove debris.

If impeller well in motor accumulates debris, motor can be removed by reversing assembly steps for cleaning. Use a soft brush or cotton swab with water only to clean inner surfaces.

## Parts List For reference only. All parts are not available individually.

Illustration #	Description	Illustration #	Description
1	Filter Cover	13	Filter Box
2	Drain/Fill tube	14	Intake Tube Brace
3	Intake Tube	15	Leveler
4	Intake Cap	16	Motor O-Ring
5	O-Ring for Cap	17	Motor
6	Cartridges Frame	18	Hose Connector
7	Filter Bag	19	Gravel-Vac Adapter
8	Impeller Cover Top	20	Large Tube Connector
9	Impeller Cover Bottom	21	Gravel-Vac Tube
10	Intake Extension Tube	22	Sponge Pad
11	Impeller	23	Floss Pad
12	Intake Strainer	24	Carbon Pad
		25	Ceramic Bio-Media
		26	Vacuum/Drain Hose



## Replacement Parts

Item #	Description	Chart Reference
21135	Impeller Assembly	11
21145	Intake Tube Assembly with Cap, O-Ring & Tube brace	3,4,5,14
21150	Intake Tube Extension & Strainer	10,12
21155	2 Pk Complete Filter Cartridge	6,22,23,24
21160	2 Pk Filter Media only -No Frame	22,23,24
21170	2 Pk Filter Bag	7
21175	Gravel-Vac Replacement Parts	18,19,20,21
21180	6 FT Vacuum/Drain Hose	26

## LIMITED WARRANTY

E.G. Danner Mfg. Inc. will repair or replace any EZ CLEAN Power Filter found to be defective within 90 Days of original purchase. This warranty covers defects occurring under normal use and applies to the original purchaser at retail from a certified Supreme dealer and may not be transferred. Cutting or altering cord removing or defacing product labels voids any warranty consideration. It will be based upon Danner Mfg. discretion as to whether the defects are of manufacturing origin. For warranty repair return only the part that is defective to our factory. Please include \$5.00 USD for postage and handling. This warranty does not include damage due to handling, transportation, unpacking, setup, installation, repair or replacement of parts supplied by any other than Danner Mfg.; improper maintenance, modification or repairs by the purchaser; abuse, misuse, neglect, accident, fire, flood, or other acts of God. Any oral statements about this product made by the seller, the manufacturer, their representatives or any other parties do not constitute warranties and shall not be relied upon by the user and are not part of this contract. Neither the seller nor the manufacturer shall be liable for any injury, loss or damages, direct, incidental, or consequential, including but not limited to incidental or consequential damage for lost profits, lost sales, injury, and inability to use the product and the user agrees that no other remedy is available. Before using, the user shall determine the suitability of the product for their intended use and the user shall assume all risk liability whatsoever in connection therewith. To validate this warranty, keep your proof of purchase (copy of sales receipt). Warranty covers the repair or prorated replacement of the Danner Mfg. products. Danner Mfg. denies all liability for any other loss including but not limited to loss of equipment, income, livestock, vegetation or personal injury. This warranty gives you specific legal rights. You may have other rights which vary from state to state. To validate this warranty, include your dated proof of purchase (copy of sales receipt from a certified Supreme dealer).

