

COVER-CARE™

SAVE THESE
INSTRUCTIONS

By Danner Manufacturing, Inc.

COVER-CARE 360 AUTOMATIC POOL COVER PUMP ITEM # 02530

FEATURES

- Electronic Sensor Detects Water Level and Turns Pump On and Off Automatically
- Magnetic Drive Motor – Only One Moving Part
- Completely Submersible
- Easily Hooks Up to Any Standard 3/4" Garden Hose Thread
- Includes Easy Clean Clog-Resistant Foam Filter
- Listed to UL Standards
- 1 YEAR WARRANTY



Max Output	360 GPH	Watts	30
Max Head Height	8'	Cord Length	25'

IMPORTANT SAFETY INSTRUCTIONS

READ AND FOLLOW ALL INSTRUCTIONS



WARNING RISK OF ELECTRIC SHOCK

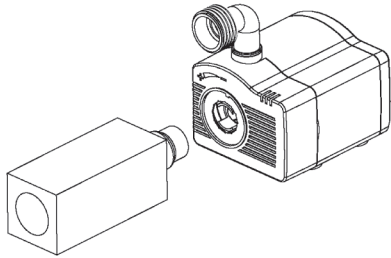
- Risk of electrical shock. This pump is supplied with a grounding conductor and grounding-type attachment plug. To reduce the risk of electric shock, be certain that it is connected only to a properly grounded, grounding-type receptacle (GFCI).
- Do not exceed the voltage shown on the pump.
- Always disconnect pump from the power source before beginning any maintenance or work on the pump.
- Inspect cord for damage before installation and/or maintenance. Replace the entire pump assembly if damage is found.
- Do not remove the grounding pin from the power cord plug.
- Risk of electrical shock – This pump has not been investigated for use in swimming pool or marine areas while occupied. Only use this pump when no people are in contact with the pool water.

CAUTION

- This pump has been evaluated for use with fresh water only.
- Use a proper power source as indicated on the pump label.
- Keep the cord away from high temperatures or other heat sources.
- Avoid using the pump when water temperatures fall below 40° F.
- Do not use the pump in water exceeding 90° F.
- Do not pump heated liquids.
- Do not let the pump run dry. Pump must be completely submerged for proper operation and cooling.
- Operate in fresh water only. Avoid heavily chlorinated water and water with high pH levels.
- Do not lift the pump by its power cord.
- Do not bury cord. Locate cord to minimize abuse from lawn mowers, hedge trimmers, and other equipment.
- WARNING – To reduce the risk of electric shock, do not use extension cord to connect unit to electric supply; provide a properly located outlet.

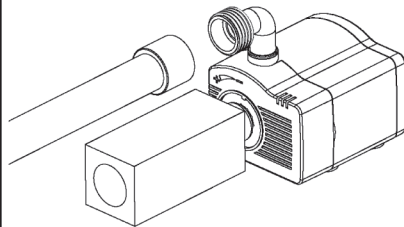
WARRANTY: E.G. Danner Mfg. Inc will repair or replace any pump found to be defective within one year of original purchase. This warranty does not cover the replaceable filtering material supplied with the pump as it is considered expendable. Cutting or altering cord voids any warranty consideration. For warranty repair return only the part that is defective to our factory. Please include a dated proof of purchase and \$5.00 for postage and handling. Damages or injuries resulting from negligence or misuse of the product are not covered by warranty. This warranty gives you specific legal rights. You may have other rights which vary from state to state.


1. Install the Pre-Filter onto the pump. Insert the filter assembly into the front of the pump.



The primary purpose of the Pre-Filter is to prevent blockage of the pump by leaves etc. The Pre-Filter may need occasional cleaning and eventual replacement. Do not use pump without Pre-Filter to prevent blockage and impeller damage.

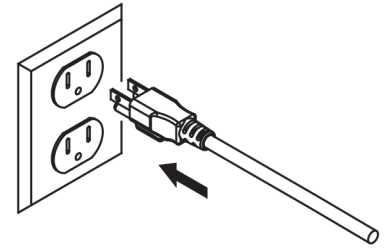
2. Connect a garden hose to the outlet of the pump with the garden hose adapter.



A 1/2" Barbed fitting is also provided that can be used instead of the hose fitting. It will fit a 1/2" ID tubing. 

Note that the pump must be submersed in order to automatically activate switch and begin pumping water.

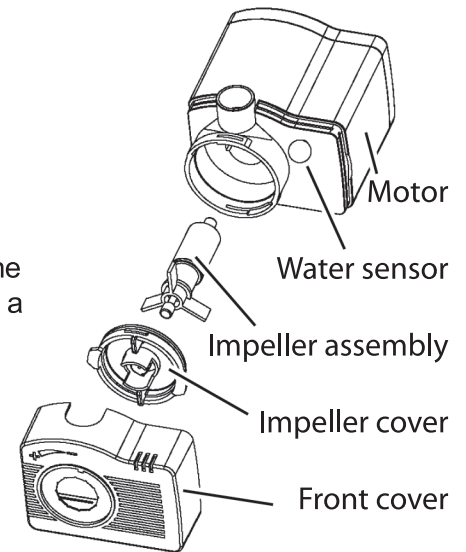
3. Place the pump into the water and connect to a proper power source.



BE SURE TO FOLLOW ALL SAFETY PRECAUTIONS.

CARE AND MAINTENANCE

- Regular cleaning of the Pre-Filter and Pump may be necessary depending upon the environment in which it is operated. Clean the Pump when it is visibly soiled or when a drop in performance is detected.
- Before cleaning, always disconnect the Pump from the power source.
- Remove all parts from the Pump and clean in warm, soapy water.
- Disassemble the Pump housing and remove the impeller housing to expose the impeller assembly. Remove the impeller assembly by gently pulling on the impeller blades. Use a soft cloth or brush to clean the impeller assembly and the inside of the impeller housing.



TROUBLESHOOTING

If the Pump fails to operate, flow diminishes or flow is uneven, check the following:

- The power cord is plugged in, the Pump is getting power.
- Pump is fully submerged.
- Tubing has no kinks and both tubing and Pump outlet are free of obstructions.
- Impeller is not broken or jammed with debris. *TURN OFF POWER*, then Remove the Pre-Filter, Pump Cover, and impeller housing to expose the impeller. Remove and inspect the impeller and impeller chamber. Clean and reassemble
- Make sure the impeller, water sensor and the housing are clean.

PARTS LIST

Part	Description
A	Motor
B	1/2-in. ID tubing adapter
C	Garden hose adapter
D	Pre-Filter Foam Block
E	Pre-Filter Support
F	Front cover
G	Impeller cover
H	Impeller assembly

Cover Care 360 Automatic Pool Cover Pump

