

## TROUBLESHOOTING

Problem	Possible Cause	Solution
Pump stops working	Bad Power supply	Check all power connections, GFCI and circuit breakers. Test using a different power source.
	Internal Thermal Protector enabled	Unplug and allow Pump to cool 30 minutes. Check if Pump is clogged before restarting.
	Impeller is locked with debris	Check if Impeller will turn. Disconnect power and use a pencil eraser to see if Impeller can be turned. If not, perform Impeller maintenance.
	Too much Debris, Intake clogged	Disconnect power, remove the obstruction. Use a Pondmaster Pump Bag to greatly reduce future clogging.
	Impeller worn out	Replace with new Impeller.
Pump will not prime	Pump design is NOT self priming	Position Pump below water level, fill hose with water and re-start.
Pump will not start after reassembly	Screws were overtightened	Back Screws out slightly and re-tighten with less force.

## PUMP OUTPUTS

HY-DRIVE MODEL	ITEM #	NOMINAL	AMPS	WATTS AT 5' head	GALLONS PER HOUR										SHUTOFF
					AT 0'	AT 1'	AT 3'	AT 5'	AT 7'	AT 10'	AT 15'	AT 20'	AT 25'	AT 30'	
1400	20350	1400	1.3	150	1400	1275	1250	1150	1100	950	675	350	-	-	22'
2550	20355	2550	1.3	147	2505	2380	2010	1490	1045	455	-	-	-	-	11.5'
5100	20360	5100	3.6	439	5100	5100	5050	4650	4375	3900	3050	2425	1675	-	30'
6600	20365	6600	4.9	593	6625	6600	6275	5500	4925	4325	3325	2425	1850	550	30.5'

**LIMITED WARRANTY** E.G. Danner Mfg. Inc. will repair or replace any unit found to be defective within three years of original purchase. This warranty covers defects occurring under normal use and applies to the original purchaser at retail from a certified Pondmaster dealer and may not be transferred. Cutting or altering cord removing or defacing product labels or running pump dry voids any warranty consideration. For warranty repair return only the part that is defective to our factory. Please include \$10.00 for postage and handling. Damages or injuries resulting from negligence, shipping, handling, improper installation, maintenance or misuse of the product are not covered by warranty. This warranty gives you specific legal rights. You may have other rights which vary from state to state. To validate this warranty, include your dated proof of purchase (copy of sales receipt from a certified Pondmaster dealer).

ZG111 revA 09/11

# ProLine™

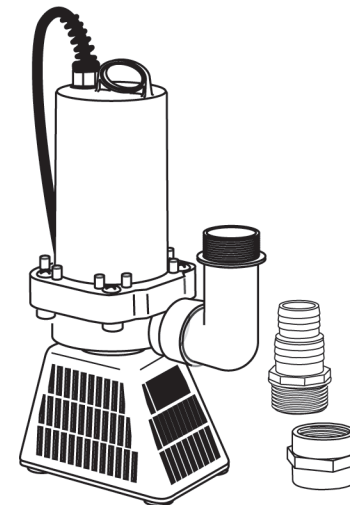
By PONDMASTER®

SAVE THESE INSTRUCTIONS

## Skimmer Pump with Hy-Drive Technology

### CARE AND OPERATING INSTRUCTIONS

MODELS	ITEM#
SKP1400	20350
SKP2550	20355
SKP5100	20360
SKP6600	20365



### WARNING!

PONDS ARE DANGEROUS TO SMALL CHILDREN! NEVER LEAVE CHILDREN UNSUPERVISED NEAR A POND.

Thank you for purchasing this Pondmaster product. This continuous duty pump is designed for use inside a pond skimmer to move large volumes of water silently and efficiently through filtration systems or to a waterfall, stream or fountain. It incorporates a high efficiency vortex impeller in conjunction with a ceramic impeller shaft and bearings to provide energy savings while maintaining high output.

This pump must be used partially or fully submersed inside a pond skimmer, indoors or outdoors. **Never run this pump dry.**

Rotor assembly is removable for simple cleaning maintenance. The unique design reduces the frequency of pump cleaning while maintaining optimum water flow. Overload protection is built-in by means of a self-resetting thermal overload switch.



## WARNING RISK OF ELECTRIC SHOCK

This pump is supplied with a grounding conductor and grounding type attachment plug. NEVER REMOVE GROUND PIN FROM PLUG. To reduce the risk of electric shock, be certain that it is connected only to properly grounded, grounding-type receptacle. The national Electric Code requires that a ground fault interrupter circuit (GFCI) be installed in every branch circuit supplying the fountain or pond equipment. Your dealer can supply GFCI units.

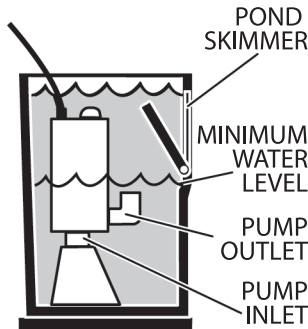
Do not immerse the plug in water. DO NOT REACH INTO THE WATER TO REMOVE THE PLUG. TURN OFF CIRCUIT FIRST. A "drip loop" in the cords should be used. A "drip loop" is a loop in the cord below the level of the receptacle or plug that prevents water from traveling along the cord.

**WARNING: FOR YOUR PROTECTION, ALWAYS UNPLUG THE UNIT FROM ITS POWER SOURCE BEFORE INSTALLING OR SERVICING. DO NOT REACH, REMOVE OR DISASSEMBLE BEFORE YOU DISCONNECT POWER.**

### OPERATION PRECAUTIONS

- **Never run pump dry.** Maintain water level to keep pump intake and output submersed.
- Only use this pump with clean water. It is not intended to move water containing large non-dissolved solids.
- Never use pump for liquids other than water.
- Do not place directly in silt or sand.
- Never pull the pump from a pond by pulling the power cord.
- Never remove the plug or shorten the power cord.
- Keep the connectors (Plug and Socket) dry.
- The pump is not suitable for use in swimming pools, swimming ponds and other situations where persons could make bodily contact with the water.
- Never use the pump if the power cord is damaged in any way. A damaged pump cord can not be changed; pump must be discarded.
- If motor is clogged disconnect power before servicing since thermal protector may have temporarily turned off motor and it may restart without warning once cool.

**NEVER ALLOW STANDING WATER TO FREEZE IN PUMP OR CONNECTIONS.**



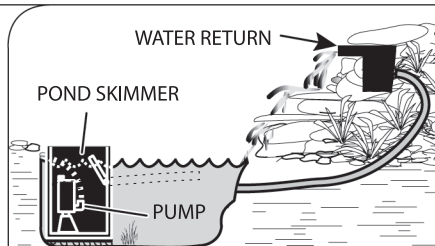
### OPERATING INSTRUCTIONS

**Pump must always be either partially or completely immersed in water inside a Skimmer or Pump Vault.**

For all Installations: Make certain that all electrical connections have a GFCI installed. Always use Teflon tape on threaded fittings to aid in future disassembly. Place O-Rings over male threads on fittings. Protect the intake from leaves and other debris

getting drawn into the Impeller by using a Pump Bag around the pump before placing the Pump into a Skimmer or Pump Vault.

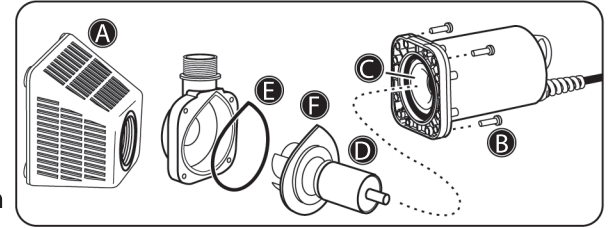
CUT OFF ANY EXTRA SMALL SECTIONS OF STEPPED BARB CONNECTORS THAT RESTRICT FLOW RATE.



### MAINTENANCE and CLEANING:

This Pump does not require any lubrication or special maintenance. Periodically cleaning the Impeller will maintain Pump performance and extend Pump life.

- 1) Disconnect Pump from power supply completely.
- 2) Remove hoses and bring Pump to clear work area.
- 3) Rotate Intake Pre-Filter counter clockwise, remove and set aside, (A).
- 4) Remove 4 screws (B), detach Motor Cover from Motor.
- 5) Pull the Impeller assembly (D) out from the chamber (C). If impeller is difficult to remove, calcium or scale deposits may have seized parts together. Place unit in a bucket with a solution of 1 part white vinegar to 9 parts water and allow to soak overnight. This should loosen scale for disassembly.
- 6) Clean Impeller, Chamber and Pre-Filter with fresh water only, never any solvents. If scale on surface is present, soak in white vinegar / water solution to soften scale for easy removal. Rinse clean completely with clear water.
- 7) Reverse steps to reassemble. If Rubber Seal (E) becomes dislodged, make certain it is clean and place it back into the recess on the Motor cover.
- 8) Align the Impeller plate (F) with the recess in the Motor Cover before inserting Impeller assembly back into Motor.



### WINTERIZATION and STORAGE

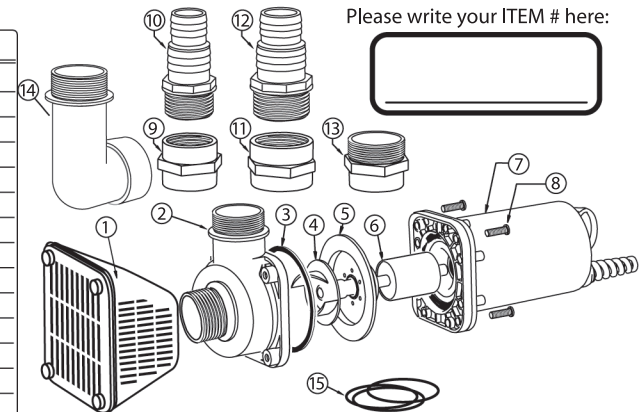
If Pump is outdoors in areas with harsh winters it should be removed from shallow water that may freeze. Either place into deep water or if removed, it must be cleaned with plain water and dried before being put into storage. If Pump will be turned off for long periods of time and left under the water in non-freezing areas, debris may accumulate inside the Pump. Before reinstallation flush Pump with clean water. It is strongly recommended to perform an Impeller maintenance as well to thoroughly clean the Impeller and chamber.

Model	Item #
SKP1400	20350
SKP2550	20355
SKP5100	20360
SKP6600	20365

### PARTS LIST for Skimmer Pumps

NOTE: Parts vary on different models. When referencing pump parts you must refer to the ITEM # of your pump from pump label.

#	Description
1	Intake Prefilter
2	Motor Cover
3	Rubber Seal
4	Impeller
5	Impeller Plate
6	Rotor
7	Motor
8	Screws
9	1.5" Connector
10	2 Step 1.5" Barbed Connector
11	2" Connector *
12	2 Step 2" Barbed Connector *
13	2" to 1.5" Reducer *
14	1.5" Elbow
15	1.5" O-Rings / 2" O-Rings *



\* 2" accessories only included with models SKP5100 and SKP6600