

Troubleshooting

Problem	Possible Cause	Solution
Pump stops working or volume decreases	Bad power source	Check all power connections, GFCI and circuit breakers. Test using a different power source.
	Internal Thermal Protector tripped	Unplug and allow pump to cool 30 minutes. Check if pump is clogged before restarting.
	Intake clogged	Disconnect power, remove and rinse the Intake Strainer.
	Impeller is locked with debris	Disconnect power and perform impeller maintenance.
Motor starts, but does not pump any water	Pump impeller is above water level and needs priming	Turn the pump on for a few seconds, then off and back on again three or four times. This will fill the impeller chamber with water and prime the pump. - or - Position pump below water level or in at least 3 1/4" of water.

LIMITED WARRANTY

E.G. Danner Mfg., Inc. will repair or replace any unit found to be defective within one year of original purchase. Cutting or altering cord removing or defacing product labels voids any warranty consideration. For warranty repair return only the part that is defective to our factory. Please include a dated proof of purchase and \$20.00 for postage and handling. Damages or injuries resulting from negligence, shipping, handling, improper installation, maintenance or misuse of the product are not covered by warranty. This warranty gives you specific legal rights. You may have other rights which vary from state to state.

To validate this warranty keep your proof of purchase (Copy of sales receipt).

DANNER MFG., INC. • Islandia, New York 11749-1489 • Visit our web site at www.Dannermfg.com

ZG096 revD 03/18



SAVE THESE INSTRUCTIONS

6 MSP Utility Pump

CARE AND OPERATING INSTRUCTIONS

MODEL 6 MSP
UPC# 02585
UPC# 40465

Specifications:

Flow rate: in GPH	1900 with 1 1/2" Adapter 1400 with 3/4" Adapter
-------------------	--

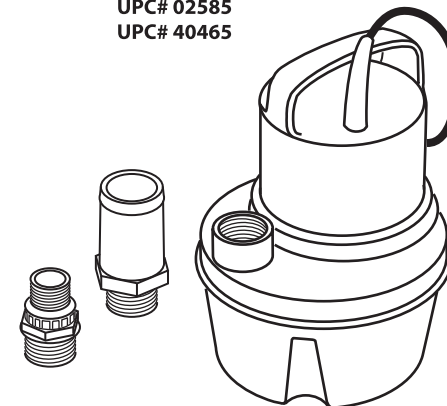
Max Head Height:	24 ft.
------------------	--------

Voltage/Frequency :	120V/60 Hz
---------------------	------------

Watts:	370 Maximum
--------	-------------

AMPS:	4 Maximum
-------	-----------

Included Adapters:	3/4" Garden hose 1 1/2" Pool Hose
--------------------	--------------------------------------



**WARNING! POOLS & PONDS ARE DANGEROUS TO SMALL CHILDREN!
NEVER LEAVE CHILDREN UNSUPERVISED NEAR A POOL OR POND.**

Thank you for purchasing this Danner product. This versatile pump is suitable for home use including basement pump-outs, pool and pond draining. **This pump is not for use with salt water.** The included adapters attach to standard 3/4" garden hose or 1 1/2" pool hose.

The bottom-draw screened intake measures 8" in diameter and fits into most pool drains and pumps down to 1/8". It incorporates a high efficiency vortex impeller and sealed bearings to provide energy savings while maintaining high output.

This pump must be used fully or partially submersed. Note that it will continue pumping water until the water level is approximately 1/8 inch deep. Never run this pump dry.



ELECTRICAL PRECAUTIONS

Always use a properly grounded outlet. Do not immerse the plug in water. DO NOT REACH INTO THE WATER TO REMOVE THE PLUG. TURN OFF CIRCUIT FIRST. A "drip loop" in the cords should be used. A "drip loop" is a loop in the cord below the level of the receptacle or plug that prevents water from traveling along the cord. The national Electric Code requires that a ground fault interrupter circuit (GFCI) be installed in every branch circuit supplying the fountain or pond equipment. Your dealer can supply GFCI units. NEVER REMOVE GROUND PIN FROM PLUG.

WARNING - Risk of electric shock - This pump is supplied with a grounding conductor and grounding-type attachment plug. To reduce the risk of electric shock, be certain that it is connected only to a properly grounded, grounding-type receptacle.

WARNING: FOR YOUR PROTECTION, ALWAYS UNPLUG THE UNIT FROM ITS POWER SOURCE BEFORE INSTALLING OR SERVICING. DO NOT REACH, REMOVE OR DISASSEMBLE BEFORE YOU DISCONNECT POWER.

Operation Precautions

Never run pump dry. Only use this pump with clean water. It is not intended to move water with large non-dissolved solids. Never use pump for liquids other than water. This pump is not for continuous use; it is rated for intermittent use.

Operation Instructions

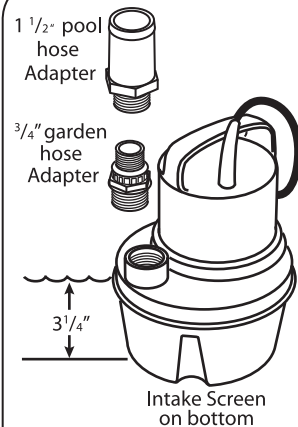
Make certain that all electrical connections have a GFCI installed. Attach hoses using Teflon tape on fittings. This will aid in future disassembly.

This pump will start immediately when completely submerged or when used in at least 3 1/4" of water. In less than 3 1/4" the pump must be primed first. Do this by turning the pump on for a few seconds, then off and back on again three or four times. This will fill the impeller chamber with water and prime the pump.

The included adapters can be used to connect directly to 3/4" garden hose or most standard 1 1/2" pool hoses.

Check all connections before activating power to the pump.

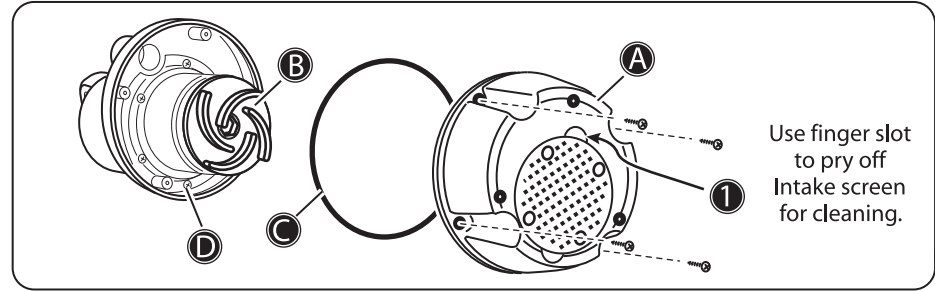
Always keep the Intake Screen clean.



ZG096 Rev D 08/16

Maintenance:

This pump does not require any lubrication or special maintenance. Remove and rinse the Intake Screen ① as needed.



Periodically cleaning the impeller will maintain pump performance and extend pump life.

To clean impeller follow these steps:

- 1) Completely disconnect pump from power supply.
- 2) Remove hoses and bring pump to clear work area.
- 3) Remove 4 base screws and remove pump base ④.
- 4) Clean impeller ② with a brush and fresh water only, never any solvents.
- 5) Clean O-ring ⑤ and surrounding areas on both motor housing and motor cover ④, then re-attach cover ④ with screws.

Impeller should not be removed during normal maintenance.

PARTS LIST for 6MSP Pump

#	Description
1	Motor Housing
2	Washer
3	6MSP Impeller
4	Impeller Nut
5	O-ring
6	Motor Cover
7	Screws
8	Intake Screen
9	1 1/2" Pool Hose Adapter
10	3/4" Garden Hose Adapter

