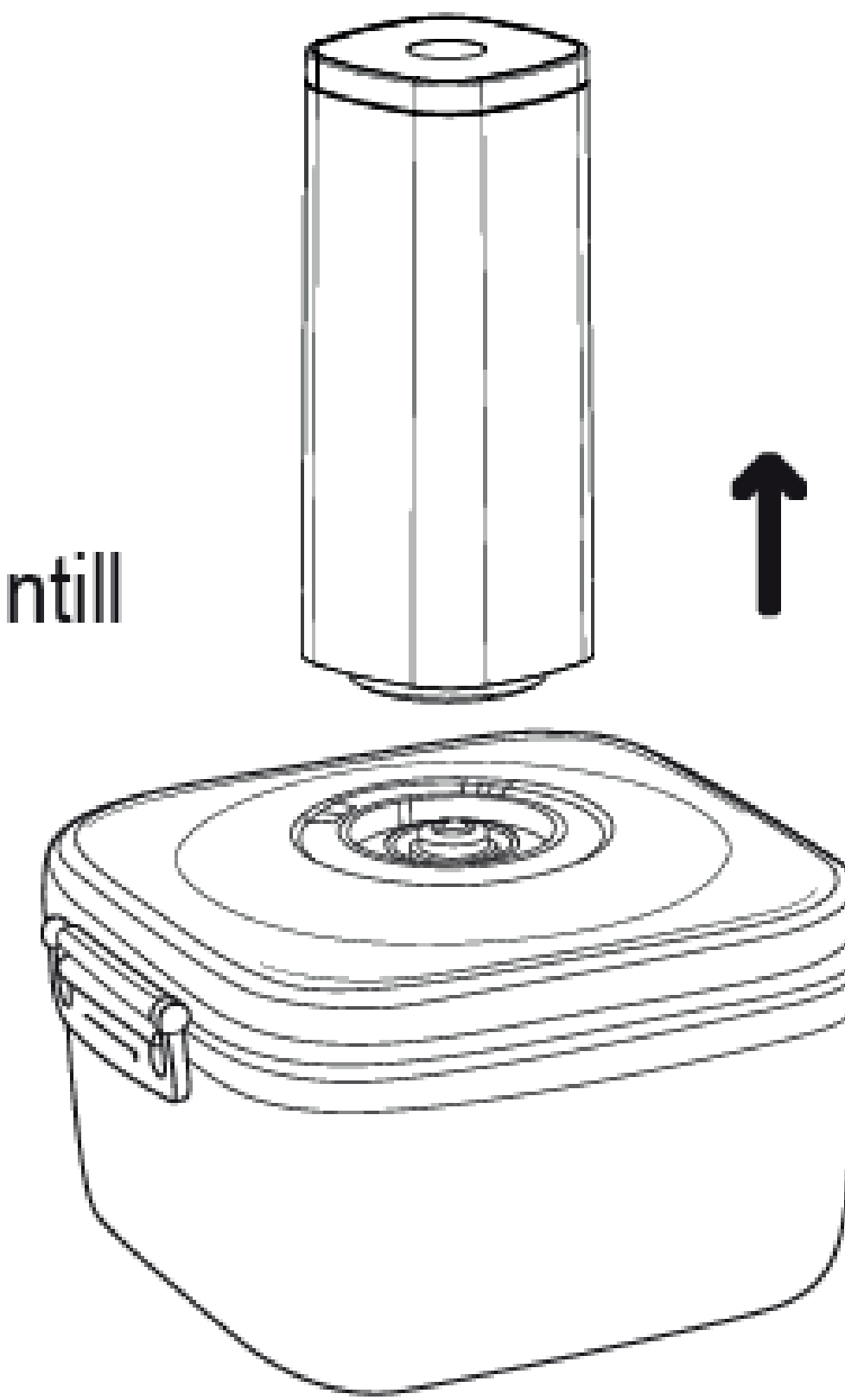


1. Place the pump in the middle of the valve. Press down the pump a bit. Push the button on the Pump. The pump pulls air out of the box until vacuum is obtained.

A: Record storage date by moving picks

B: Date dial



2. Remove the pump once it automatically stops, Vacuum has been established.

3. Before opening vacuum storage box, lightly pinch the air bag of valve to relieve the vacuum inside the box.



To release the vacuum from the container, please lift the air valve.