

606

- IMPORTANT NOTICE -
RESIDENTIAL HOME USE ONLY. Not intended for public areas
such as schools, churches, nurseries, day cares or parks



**Parts missing or damaged?
Need assistance with assembly?**

Contact Us First!

Please send your request to our central
customer service email: welcome@petitseal.com

One of our customer service agents will reply to
you within 24 hours

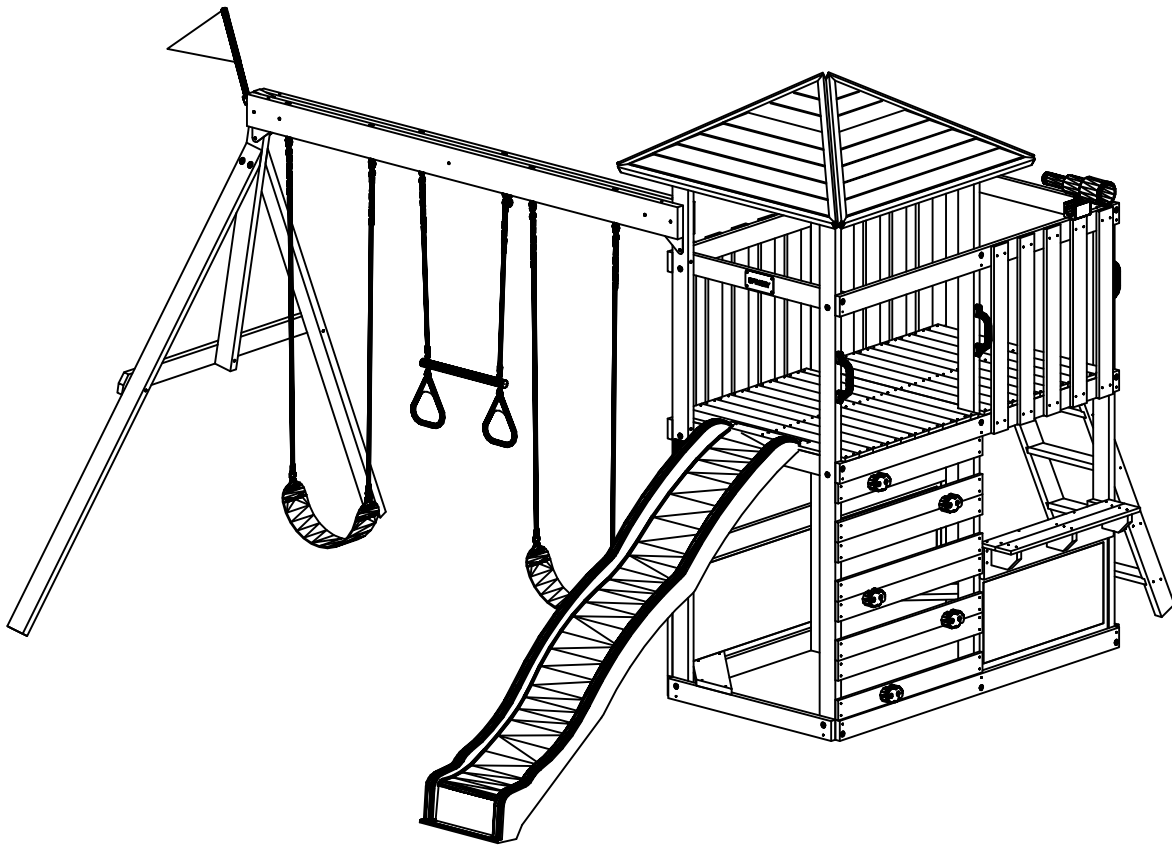


606
REV: 3-13-2022

Swing Set Deluxe + Play Deck

Assembly and Installation Instructions

Intended for children from ages 3 to



Model: 2004

(BOXES: 1005, 1006, Accessory Box, Slide)

Swiss Walterli Kft.

Petit Seal

Simonffy utca 4-6, fszt. 41.

4025 Debrecen, Hungary

welcome@petitseal.com

www.petitseal.com



**WARNING: ASSEMBLY
BY AN ADULT RETAIN
THESE INSTRUCTIONS**

Do not use this playset until completely assembled and inspected by an adult.

RESIDENTIAL HOME USE ONLY. Not intended for public areas such as schools, churches, nurseries, day cares or parks

Warnings and Safe Play Instructions



CONTINUOUS ADULT SUPERVISION REQUIRED. Most serious injuries and deaths on playground equipment have occurred while children were unsupervised! Our products are designed to meet mandatory and voluntary safety standards. Complying with all warnings and recommendations in these instructions will reduce the risk of serious or fatal injury to children using this play system. Go over the warnings and safe play instructions regularly with your children and make certain that they understand and follow them. Remember on-site adult supervision is required for children of all ages.

Warning - Safe Play Instructions

● SERIOUS HEAD INJURY HAZARD

Installation over concrete, asphalt, dirt, grass, carpet and other hard surface creates a risk of serious injury or death from falls to the ground. Install and maintain shock absorbing material under and around play-set as recommended on the Playground Surfacing material page of these instructions.

● COLLISION HAZARD

Place play-set on level ground at least 6 feet - 1.8m from any obstruction such as a garage or house, fences, poles, trees, sidewalks, walls, landscape timbers, rocks, pavement, planters, garden borders, overhanging branches, laundry lines, and electrical wires. See **OBSTACLE FREE SAFETY ZONE**

● CHOKING HAZARD/SHARP EDGES & POINTS

Adult assembly required. This product contains small parts and parts with sharp edges and points. Keep parts away from children until fully assembled.

● WARNING LABEL

Owners shall be responsible for maintaining the legibility of the warning labels.

- Observe capacity limitations of your play-set.
- Dress children with well fitting and full foot enclosing footwear.
- Teach children to sit with their full weight in the center of the swing seat to prevent erratic swing motion or falling off.
- Check for splintered, broken or cracked wood; missing, loose, or sharp edged hardware. Replace, tighten and or sand smooth as required prior to playing.
- Verify that suspended climbing ropes, rope ladders, chain or cable are secured at both ends and cannot be looped back on itself as to create an entanglement hazard.
- On sunny and or hot days, check the slide and other plastic rides to assure that they are not very hot as to cause burns. Cool hot slide and rides with water and wipe dry prior to using.
- Orientate slide such that it gets the least amount of exposure to the sun.

Anchoring Playset

This playset must be anchored to the ground. Anchors are sold separately. A minimum of four anchors is required - one anchor for each corner. Anchors should be installed at an angle to provide the best stability during use. Anchors should be installed at or below the level of the play surfacing to prevent tripping or injuries resulting from a fall. For sandy soil conditions, use an auger or twist style anchor.

STRANGULATION HAZARD

- NEVER allow children to play with ropes, clotheslines, pet leashes, cables, chains or cord-like items when using this play-set or to attach these items to play-set.
- NEVER allow children to wear loose fitting clothing, ponchos, hoods, scarves, capes, necklaces, items with draw-strings, cords or ties when using this play-set.
- NEVER allow children to wear bike or sport helmets when using this play-set.

Failure to prohibit these items, even helmets with chin straps, increases the risk of serious injury and death to children from entanglement and strangulation.

● TIP OVER HAZARD

- Choose a level location for the equipment. This can reduce the likelihood of the play set tipping over and loose-fill surfacing materials washing away during heavy rains.
- DO NOT allow children to play on the play-set until the assembly is complete and the unit is properly anchored.
- Never add extra length to chain or rope. The chains or ropes provided are the maximum length designed for the swinging element(s).
- Do not allow children to wear open toe or heel footwear like sandals, flip-flops or clogs.
- Do not allow children to walk, in front, between, behind or close to moving rides.
- Do not let children twist swing chains or ropes or loop them over the top support bar. This may reduce the strength of the chain or rope and cause premature failure.
- Do not let children get off rides while they are in motion.
- Do not permit climbing on equipment when it is wet.
- Do not permit rough play or use of equipment in a manner for which it was not intended. Standing on or jumping from the roof, elevated platforms, swings, climbers, ladders or slide can be dangerous.
- Do not allow children to swing empty rides or seats.
- Do not allow children to go down slide head first or run up slide.

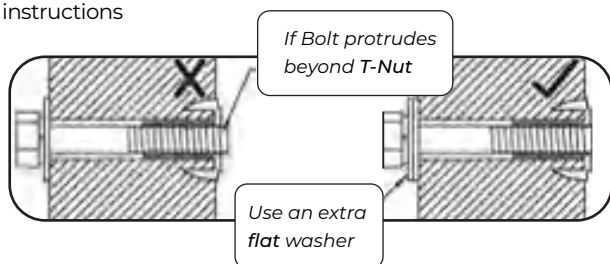
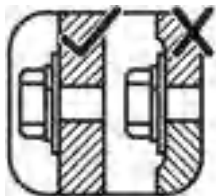
Instructions for Proper Maintenance

Your Spimbey Playset is designed and constructed of quality materials with your child's safety in mind. As with all outdoor products used by children, it will weather and wear. To maximize the enjoyment, safety and life of your Play Set, it is important that you, the owner, properly maintain it.

Check the following at the beginning of the play season:

HARDWARE:

- Check metal parts for rust. If found, sand and repaint using a non-lead paint complying with 16 CFR 1303.
- Inspect and tighten all hardware. On wood assemblies **DO NOT OVER TIGHTEN** as to cause crushing and splintering of wood.
- Check for sharp edges or protruding screw threads, add washers if required.
- Lubricate all metallic moving parts per manufacturer's instructions



SHOCK ABSORBING SURFACING:

- Check for foreign objects. Rake and check depth of loose fill protective surfacing materials to prevent compaction and maintain appropriate depth. Replace as necessary.

GROUND STAKES (ANCHORS):

- Check for looseness, damage or deterioration. Should firmly anchor unit to ground during use. Re-secure and or replace, if necessary.

PROTECTIVE COVERINGS:

- Check all protective coverings on bolts, pipes, edges, and corners. Replace if they are loose, cracked, or missing.

SWINGS, ROPES AND RIDES:

- Reinstall if removed during cold season. Check all moving parts including swing seats, ropes, chains and attachments for wear, rust and other deterioration. Replace as needed.
- Check that ropes are tight, secure at both ends and cannot loop back as to create an entrapment.

WOOD PARTS:

- Check all wood members for deterioration, structural damage and splintering. Sand down splinters and replace deteriorated wood members. As with all wood, some checking and small cracks in grain is normal.
- Applying a water repellent or stain (water-based) on a yearly basis is important maintenance to maintain maximum life and performance of the product.

Check twice a month during play season:

HARDWARE:

- Inspect for tightness. Must be firmly against, but not crushing the wood. **DO NOT OVER-TIGHTEN**. This will cause splintering of wood.
- Check for sharp edges or protruding screw threads. Add washers if required.

SHOCK ABSORBING SURFACING:

- Rake and check depth of loose fill protective surfacing materials to prevent compaction and maintain appropriate depth. Replace as necessary.

PROTECTIVE COVERINGS:

- Check all protective coverings on bolts, pipes, edges, and corners. Replace if they are loose, cracked, or missing.

Check once a month during play season:

HARDWARE:

- Lubricate all metallic moving parts per manufacturer's instructions

SWINGS AND RIDES:

- Check swing seats, all ropes, chains and attachments for fraying, wear, excessive corrosion or damage. Replace if structurally damaged or deteriorated.

Check at the end of the play season:

SWINGS AND RIDES:

- To prolong their life, remove swings and store inside when outside temperature is below 32°F / 0°C. Below freezing, plastic parts may become more brittle.

SHOCK ABSORBING SURFACING:

- Rake and check depth of loose fill protective surfacing materials to prevent compaction and maintain appropriate depth. Replace as necessary.

If you dispose of your play set: Please disassemble and dispose of your unit so that it does not create any unreasonable hazards at the time it is discarded. Be sure to follow your local waste ordinances.

Playground Surfacing Materials

Section 4 of the consumer product safety commission's outdoor home playground safety handbook⁹

Select Protective Surfacing

One of the most important things you can do to reduce the likelihood of serious head injuries is to install shock-protective surfacing under and around your play equipment. The protective surfacing should be applied to a depth that is suitable for the equipment height in accordance with ASTM Specification F 1292. There are different types of surfacing to choose from; whichever product you select, follow these guidelines:

Note: Do not install home playground equipment over concrete, asphalt, or any hard surface. A fall onto a hard surface can result in serious injury to the equipment user. Grass and dirt are not considered protective surfacing because wear and environment factors can reduce their shock absorbing effectiveness. Carpeting and thin mats are generally not adequate protective surfacing. Ground level equipment - such as a sandbox, activity wall, playhouse or other equipment that has no elevated play surface - does not need any protective surfacing.

Loose-Fill Materials:

- Maintain a minimum depth of 9 inches [22,9 cm] of loose-fill materials such as wood mulch/chips, engineered wood fiber (EWF), or shredded/recycled rubber mulch for equipment up to 8 feet [2,4 m] high; and 9 inches [22,9 cm] of sand or pea gravel for equipment up to 5 feet high. NOTE: An initial fill level of 12 inches [30,5 cm] will compress to about a 9- inches [22,9 cm] depth of surfacing over time. The surfacing will also compact, displace, and settle, and should be periodically refilled to maintain at least a 9- inch [22,9 cm] depth.
- Use a minimum of 6 inches of protective surfacing for play equipment less than 4 feet in height. If maintained properly, this should be adequate. (At depths less than 6 inches [15,2 cm], the protective material is too easily displaced or compacted.)
- Use containment, such as digging out around the perimeter and/or lining the perimeter with landscape edging. Don't forget to account for water drainage.
- Check and maintain the depth of the loose-fill surfacing material. To maintain the right amount of loose-fill materials, mark the correct level on play equipment support posts. That way you can easily see when to replenish and/or redistribute the surfacing.
- Do not** install loose fill surfacing over hard surfaces such as concrete or asphalt.

Poured-In-Place Surfaces or Pre-Manufactured Rubber Tiles:

You may be interested in using surfacing other than loose-fill materials - like rubber tiles or poured-in-places surfaces.

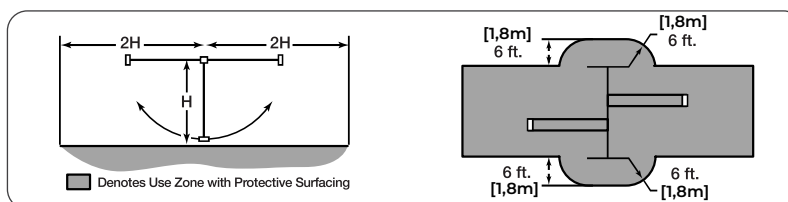
- Installations of these surfaces generally require a professional and are not "do-it-yourself" projects.
- Review surface specifications before purchasing this type of surfacing. Ask the installer/manufacturer for a report showing that the products has been tested to the following safety standard: ASTM F 1292 Standard Specification for Impact Attenuation of Surfacing Materials within the Use Zone of Playground Equipment. This report should show the specific height for which the surface is intended to protect against serious head injury. This height should be equal to or greater than the fall height - vertical distance between a designated play surface (elevated surface for standing, sitting, or climbing) and the protective surfacing below - of your play equipment.
- Check the protective surfacing frequently for wear.

Placement

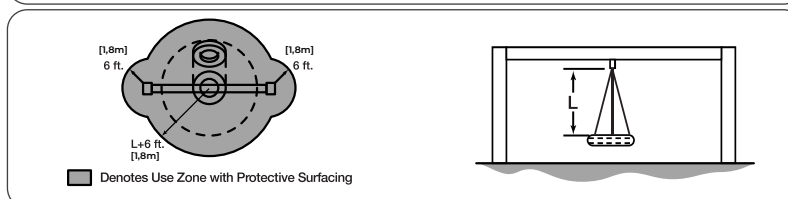
Proper placement and maintenance of protective surfacing is essential. Be sure to

- Extend surfacing at least 6 feet [1,8 m] from the equipment in all directions.
- For to-fro swings, extend protective surfacing in front of and behind the swing to a distance equal to twice the height of the top bar from which the swing is suspended.
- For tire swings, extend surfacing in a circle whose radius is equal to the height of the suspending chain or rope, plus 6 feet in all directions.

Use Zone for Single-Axis Swings



Use Zone for Multi-Axis Swings



⁹This information has been extracted from the CPSC publications "Playground Surfacing-Technical information Guide" and "Handbook for Public Playground Safety" Copies of these reports can be obtained by sending a postcard to the: Office of Public Affairs, U.S. Consumer Product Safety Commission, Washington, D.C., 20207 or call the toll-free hotline: 1-800-638-2772

Assembly Information

Tools Required

- Tape Measure
- Carpenters Level
- Carpenters Square
- Claw Hammer
- Standard or Cordless Drill
- Rubber Mallet

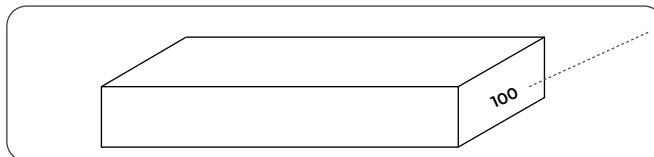
- #2 Robertson Drive Bit (Included)
- Ratchet with extension 7/16" (11mm) & 1/2" (13mm) sockets

- Open End Wrench 7/16" (11mm) & 1/2" (13mm)
- Adjustable Wrench
- Drill Bits (up to 3/8" (10mm) sizes.

- 8' (2.4m) Step Ladder
- Safety Glasses
- Adult Helpers
- Pencil

Part Identification

On each page, you will find the parts and quantities required to complete the assembly step illustrated on that page.



Part Identification

Each part has the Part Number printed on the end of the part for ease of identification.

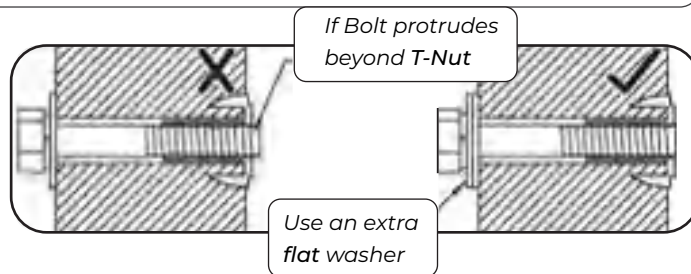
Symbols

Throughout these instructions symbols are provided as important reminders for proper and safe assembly

<p>This identifies information that requires special attention. Improper assembly could lead to an unsafe or dangerous condition.</p>		<p>Check that set or assembly is properly level before proceeding.</p>		<p>Use Level</p>
<p>To avoid injury or damage to the assembly make sure to get help!</p>	<p>Use Help</p>	<p>This indicates time to tighten bolts, but not too tight! Do not crush the wood. This may create splinters and cause structural damage.</p>		<p>Tighten Bolts</p>
<p>Check that assembly is square before tightening bolts.</p>		<p>This indicates DO NOT over-drive wood screws to avoid screw protrusions.</p>		<p>Flush</p>
<p>Use a measuring tape to assure proper location.</p>				

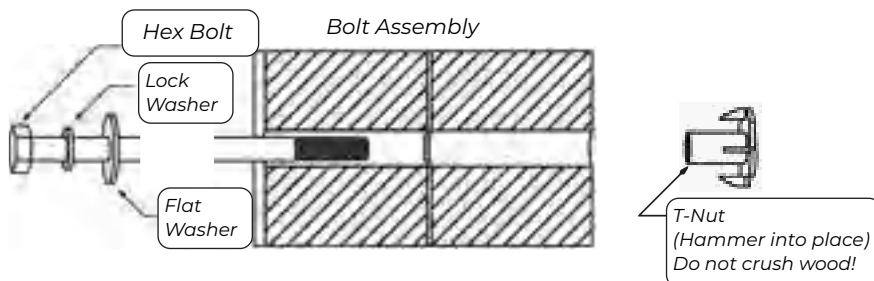
CAUTION - Protrusion Hazard

Once the assembly is tightened, watch for exposed threads. If a thread protrudes from the T-Nut, remove the bolt and add washers to eliminate this condition. Extra washers have been provided for this purpose.



Proper Hardware Assembly:

For bolts, tap T-Nut into hole with hammer. Insert the hex bolt through lock washer first then flat washer then hole. Because the assemblies need to be squared do not completely tighten until instructed.



About our wood

Petit Seal Play Systems uses only premium playset lumber, ensuring the safest product for your children's use. Although we take great care in selecting the best quality lumber available, wood is still a product of nature and susceptible to weathering which can change the appearance of your set.

What causes weathering? Does it affect the strength of my Play System?

One of the main reasons for weathering is the effects of water (moisture); the moisture content of the wood at the surface is different from the interior of the wood. As the climate changes, moisture moves in or out of the wood, causing tension which can result in checking and or warping. You can expect the following due to weathering. These changes will not affect the strength of the product:

1. **Checking** is surface cracks in the wood along the grain. A post 4" x 4" (101mm x 101mm) will experience more checking than a board 1" x 4" (25mm x 101mm) because the surface and the interior moisture content will vary more widely than in thinner wood.
2. **Warping** results from any distortion (twisting, cupping) from the original plane of the board and often happens from rapid wetting and drying of the wood.
3. **Fading** happens as a natural change in the wood color as it is exposed to sun-light and will turn a grey over time.

How can I reduce the amount of weathering to my Play System?

At the factory we have coated the wood with a water repellent or stain. This coating decreases the amount of water absorption during rain or snow thus decreasing the tension in the wood. Sunlight will break down the coating, so we recommend applying a water repellent or stain on a yearly basis (see your local stain and paint supplier for a recommended product)

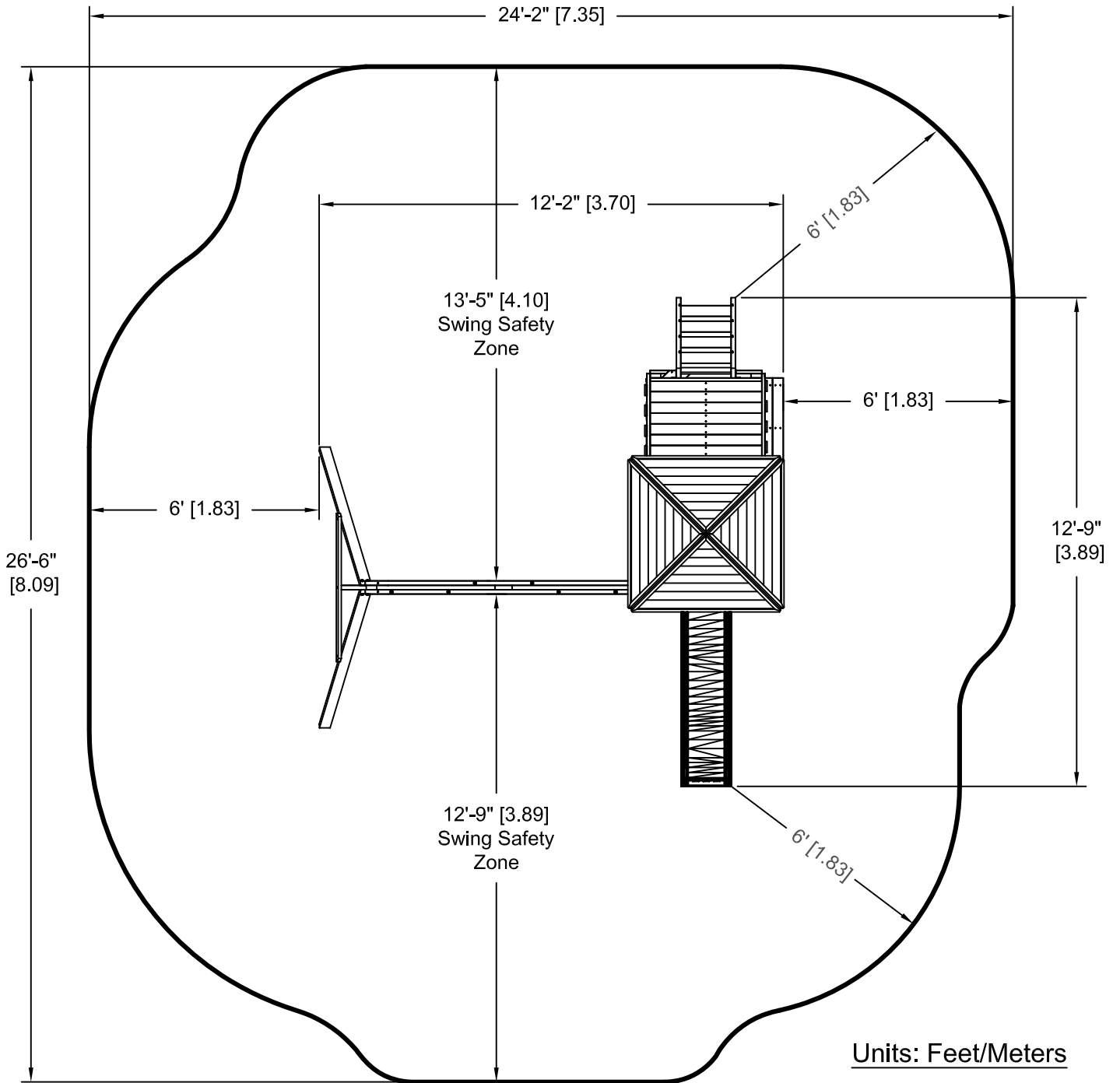
Most weathering is just the normal result of nature and will not affect safe play and enjoyment for your child. However if you are concerned that a part has experienced a severe weathering problem please call our consumer relations department for further assistance.

This space intentionally left blank

OCCUPANTS / WEIGHT LIMITS / TOTAL WEIGHT / FALL HEIGHT

	Total Number of Occupants	Weight Limit per User	Total Weight Limit	Notes	Fall Height
Play Deck XXL	8	110 lbs. / 49.9 kg.	880 lbs. / 399.7 kg.	Total weight does not include occupants in the sandbox or table/bench areas.	47.25" [120 cm]
3-Position Swing	3	110 lbs. / 49.9 kg.	330 lbs. / 149.7 kg.	Total weight is for (3) single occupancy swings	77.00" [195.6cm]
3-Position Swing	4	110 lbs. / 49.9 kg.	440 lbs. / 199.6 kg.	Total weight is for (2) single occupancy swings and (1) double occupancy glider.	77.00" [195.6cm]
Monkey Bars	1	110 lbs. / 49.9 kg.	110 lbs. / 49.9 kg.		74.75" [189.9 cm]
Ramp	2	110 lbs. / 49.9 kg.	220 lbs. / 99.8 kg.		47.25" [120 cm]
Bridge	3	110 lbs. / 49.9 kg.	330 lbs. / 149.7 kg.		47.25" [120 cm]
Small Playhouse	N/A	N/A	N/A		N/A
Large Playhouse	N/A	N/A	N/A		N/A
Belt Swing	1	110 lbs. / 49.9 kg.	110 lbs. / 49.9 kg.		N/A
Deluxe Glider 2-Person	2	110 lbs. / 49.9 kg.	220 lbs. / 99.8 kg.		N/A
Trapeze	1	110 lbs. / 49.9 kg.	110 lbs. / 49.9 kg.		N/A
Infant Swing	1	55 lbs. / 24.9 kg.	55 lbs. / 24.9 kg.		N/A
Slide	1	110 lbs. / 49.9 kg.	110 lbs. / 49.9 kg.		N/A
32" [81.3] Bench	2	110 lbs. / 49.9 kg.	220 lbs. / 99.8 kg.		N/A

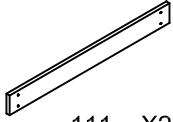
Spimbey recommends that the weight limits for all components must not be exceeded. Failure to adhere to these and other safety guidelines could result in damage to the playset and/or serious injury.



Swing Set Deluxe Safety Use Zone

The minimum Safety Use Zone extends no less than 6' [1.83] from all sides of the play structure.

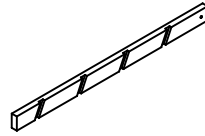
WOOD IDENTIFICATION



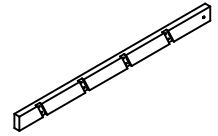
111 X27
.63 x 3.38 x 31.50
15.9 x 85.7 x 800.1



115 X4
1.00 x 3.38 x 16.75
25.4 x 85.7 x 425.5



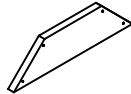
116 X1
1.38 x 3.38 x 52.38
34.9 x 85.7 x 1330.3



117 X1
1.38 x 3.38 x 52.38
34.9 x 85.7 x 1330.3



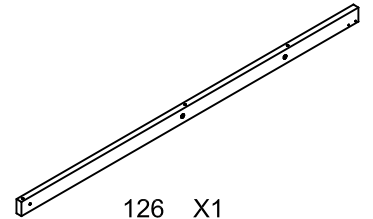
118 X1
.63 x 3.38 x 18.50
15.9 x 85.7 x 469.9



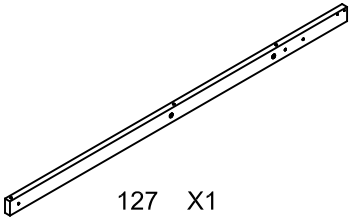
119 X2
1.00 x 5.38 x 20.73
25.4 x 136.5 x 526.6



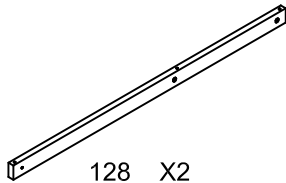
124 X3
1.00 x 3.38 x 5.50
25.4 x 85.7 x 139.7



126 X1
1.38 x 3.38 x 92.50
34.9 x 85.7 x 2349.5



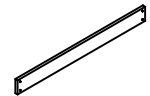
127 X1
1.38 x 3.38 x 92.50
34.9 x 85.7 x 2349.5



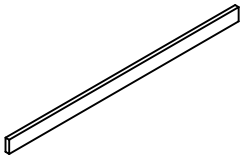
128 X2
1.38 X 3.38 X 74.75
34.9 X 85.7 X 1898.7



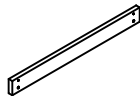
129 X2
1.00 X 1.38 X 3.88
25.4 X 34.9 X 98.4



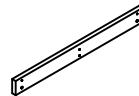
130 X8
.63 X 3.38 X 35.00
15.9 X 85.7 X 889.0



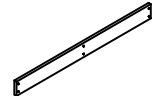
131 X1
1.00 X 3.38 X 63.00
25.4 X 85.7 X 1600.2



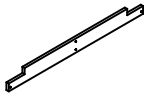
132 X2
1.00 X 3.38 X 35.00
25.4 X 85.7 X 889.0



133 X2
1.00 X 3.38 X 35.00
25.4 X 85.7 X 889.0



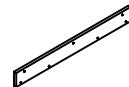
134 X18
.63 X 3.38 X 36.88
15.9 X 85.7 X 936.6



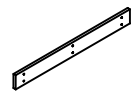
135 X1
.63 X 3.38 X 36.88
15.9 X 85.7 X 936.6



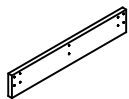
136 X2
1.38 X 3.38 X 3.38
34.9 X 85.7 X 85.7



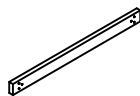
137 X1
.63 X 3.38 X 31.38
15.9 X 85.7 X 796.9



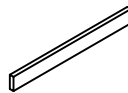
138 X1
.63 X 3.38 X 31.38
15.9 X 85.7 X 796.9



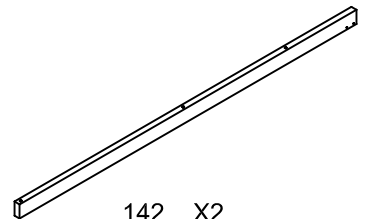
139 X1
1.00 X 5.38 X 31.38
25.4 X 136.5 X 796.9



140 X2
1.00 X 2.63 X 35.00
25.4 X 66.7 X 889.0



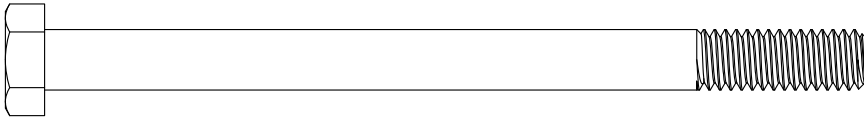
141 X2
1.00 X 3.38 X 32.25
25.4 X 85.7 X 819.2



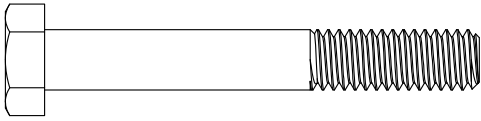
142 X2
1.38 X 3.38 X 92.50
34.9 X 85.7 X 2349.5

FORT HARDWARE LISTING

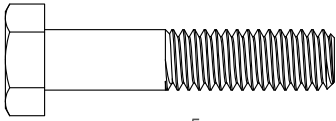
(Fasteners are shown in full size)



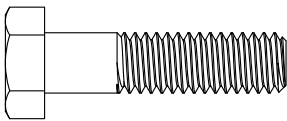
X18 - Hex Bolt - $\frac{5}{16}$ x 4.25" (414)



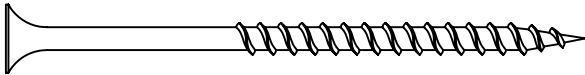
X12 - Hex Bolt - $\frac{5}{16}$ x 2.25" (412)



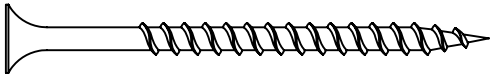
X2 - Hex Bolt - $\frac{5}{16}$ x 1.50" (409)



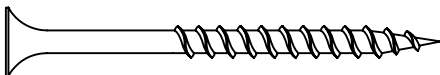
X2 - Hex Bolt - $\frac{5}{16}$ x 1.25" (486)



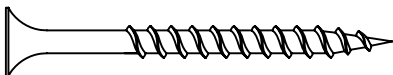
X46 - #8 x 3.00" Wood Screw (429)



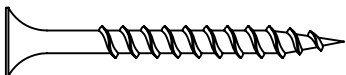
X43 - #8 x 2.50" Wood Screw (427)



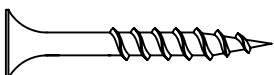
X34 - #8 x 2.25" Wood Screw (426)



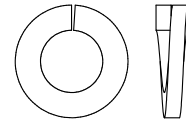
X30 - #8 x 2.00" Wood Screw (425)



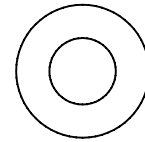
X130 - #8 x 1.75" Wood Screw (424)



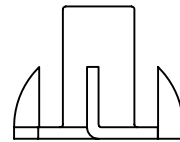
X67 - #8 x 1.38" Wood Screw (484)



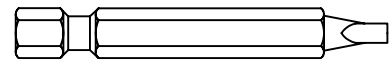
X41 - $\frac{5}{16}$ Lock Washer (420)



X47 - $\frac{5}{16}$ Flat Washer (419)



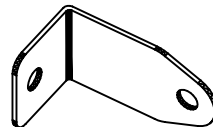
X38 - $\frac{5}{16}$ T-Nut (418)



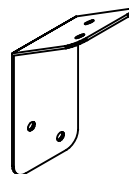
X1 - #2 Drive Bit (406)



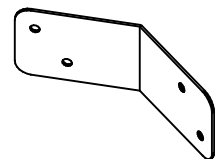
X50 - #8 X .75" Truss Screw (430)



X2 - Ladder Bracket (301)



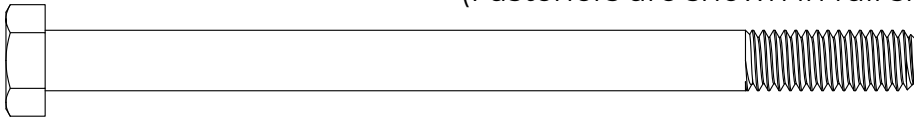
X4 - Roof Riser Bracket (303)



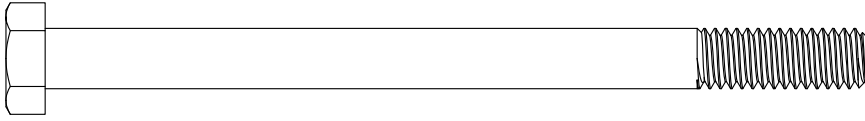
X8 - Roof Seam Bracket (304)

SWING BEAM HARDWARE LISTING

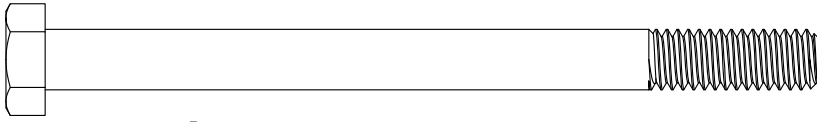
(Fasteners are shown in full size)



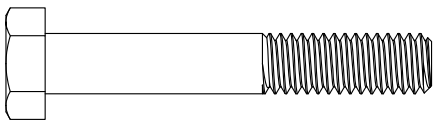
X6 - Hex Bolt - $\frac{5}{16}$ x 4.50" (415)



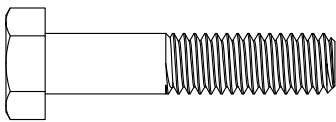
X2 - Hex Bolt - $\frac{5}{16}$ x 4.25" (414)



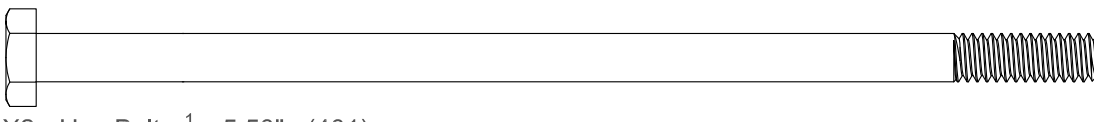
X4 - Hex Bolt - $\frac{5}{16}$ x 4.00" (413)



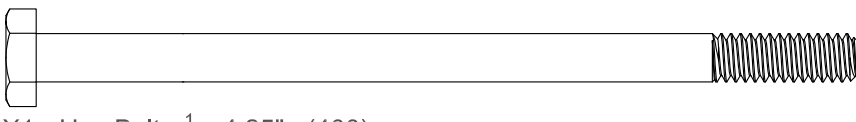
X2 - Hex Bolt - $\frac{5}{16}$ x 2.00" (411)



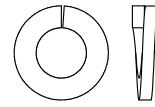
X4 - Hex Bolt - $\frac{5}{16}$ x 1.50" (409)



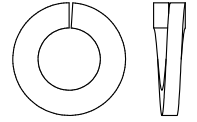
X2 - Hex Bolt - $\frac{1}{4}$ x 5.50" (401)



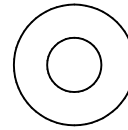
X1 - Hex Bolt - $\frac{1}{4}$ x 4.25" (400)



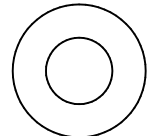
X5 - $\frac{1}{4}$ Lock Washer (405)



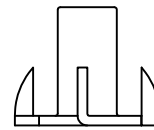
X18 - $\frac{5}{16}$ Lock Washer (420)



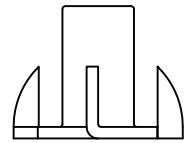
X15 - $\frac{1}{4}$ Flat Washer (404)



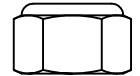
X32 - $\frac{5}{16}$ Flat Washer (419)



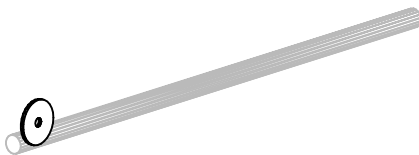
X5 - $\frac{1}{4}$ T-Nut (403)



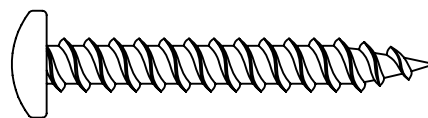
X17 - $\frac{5}{16}$ T-Nut (418)



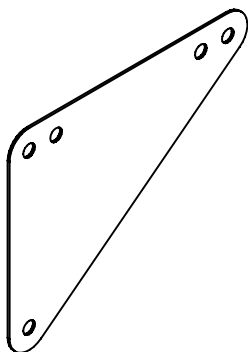
X2 - $\frac{5}{16}$ Lock Nut (417)



X4 - Ground Anchor (309)

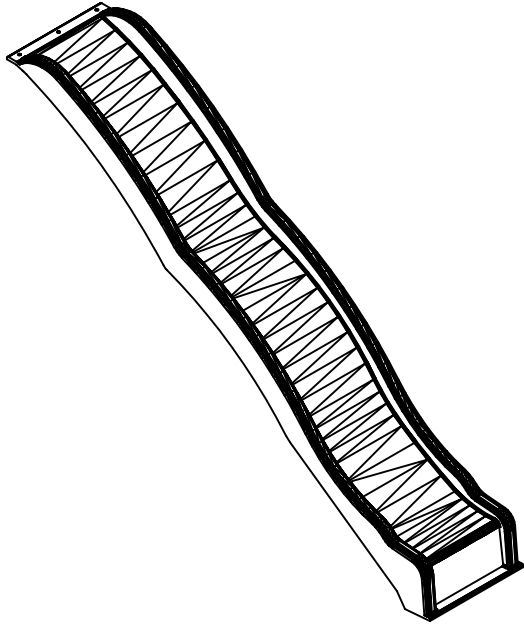


X4 - #12 x 2.00 Pan Head Screw (In Anchor Bag) (490)



X4 - Beam Plate (300)

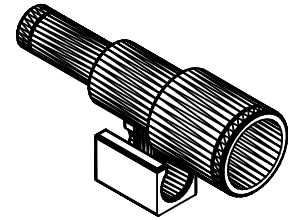
ACCESSORY LISTING



X1 - Slide (SLD-GRAY-1)



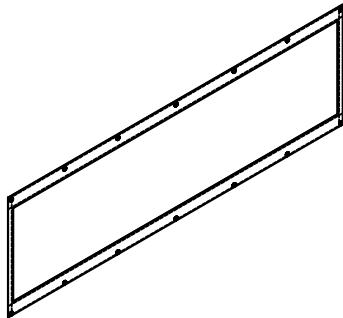
X4 - Assist Handle with Screws (SS-10009)



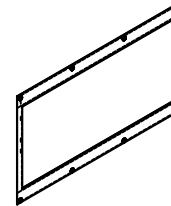
X1 - Telescope with Screws (SS-10008)



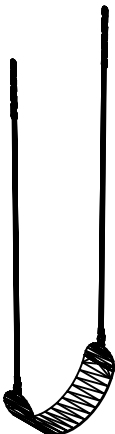
X5 - Rockwall Rocks with Fasteners (SS-10010)



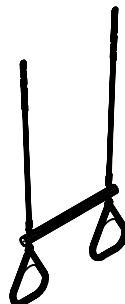
X1 - Only (1) tarp included:
 Table Tarp Blue/Gray (360)
 Table Tarp Pink/Pink (361)
 Table Tarp Green/Green (362)
 Table Tarp Yellow/Blue (363)



X1 - Only (1) tarp included:
 Table Tarp Blue/Gray (371)
 Table Tarp Pink/Pink (372)
 Table Tarp Green/Green (373)
 Table Tarp Yellow/Blue (374)



X2 - Belt Swing (SS-10013)



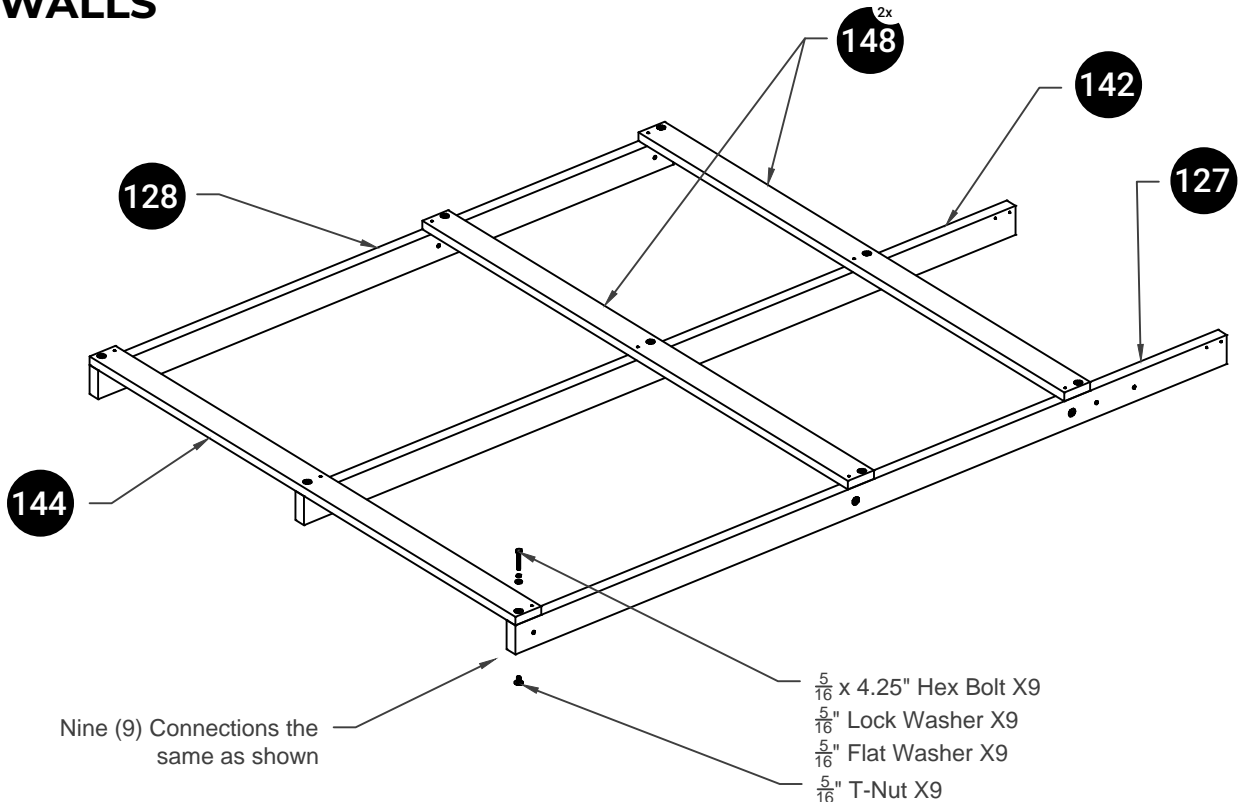
X1 - Trapeze (SS-10015)



X6 - Swing Hanger with Fasteners (482)

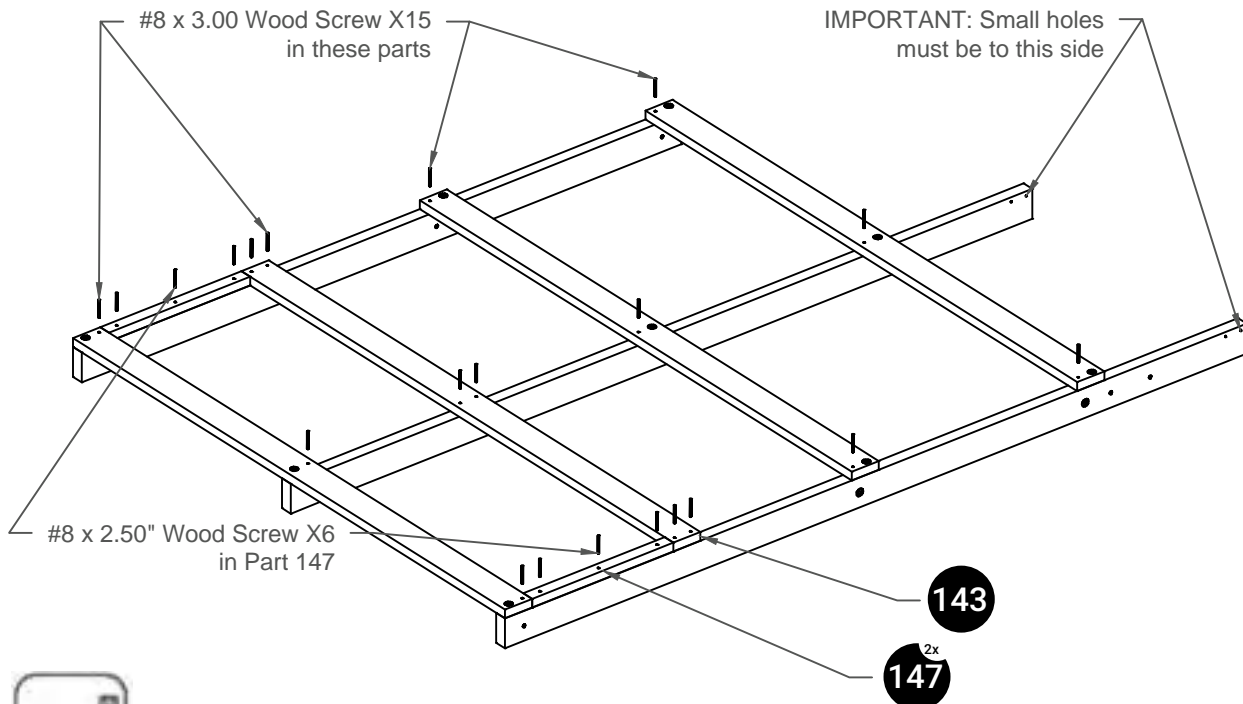
1

WALLS



2

WALLS



Important - Square wall

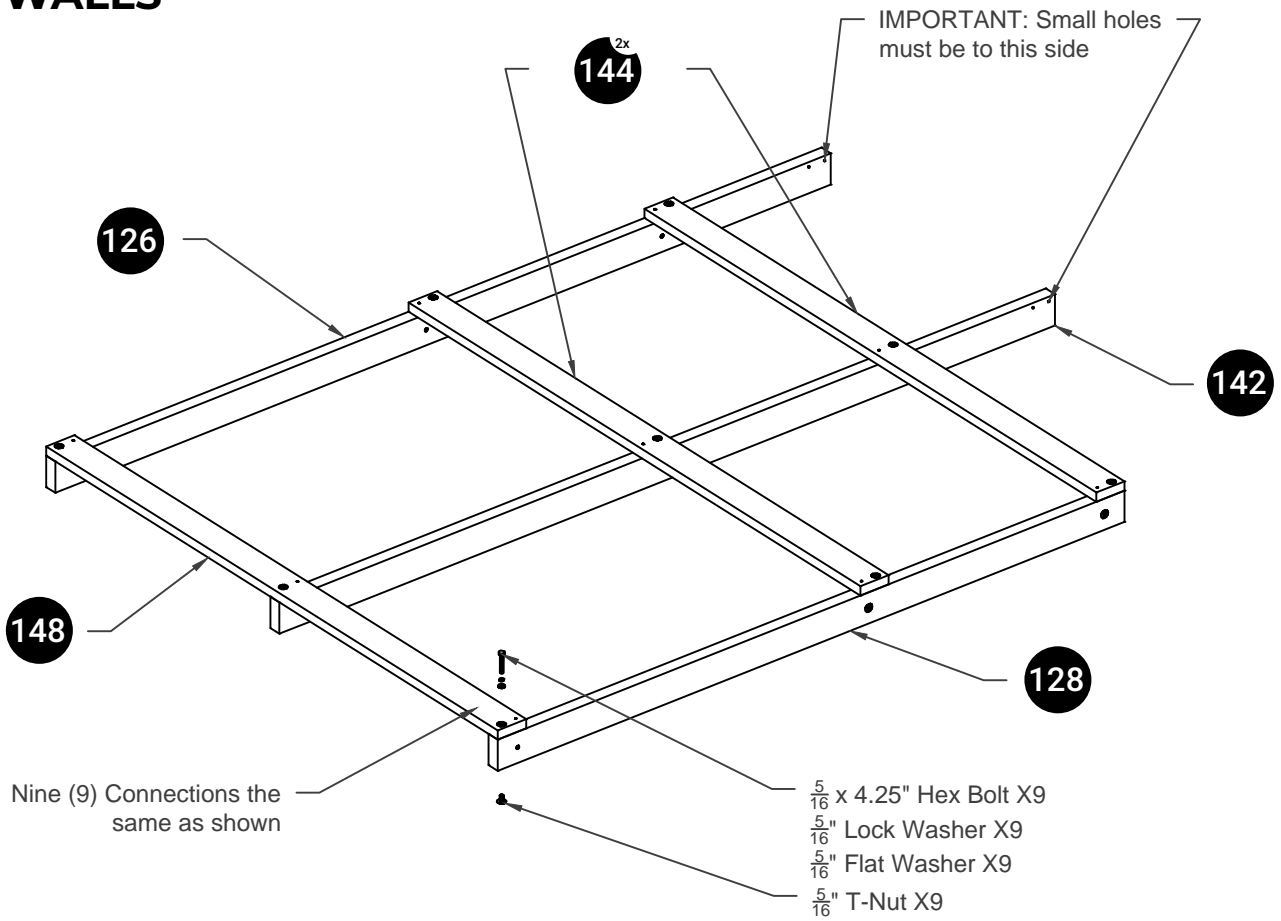
1. Layout parts and assemble as shown.
2. IMPORTANT - SEE SMALL HOLE ORIENTATION ON UPRIGHTS.
3. After walls are square install #8 wood screws.

Parts Required:

127 X1	143 X1	148 X2
128 X1	144 X1	
142 X1	147 X2	

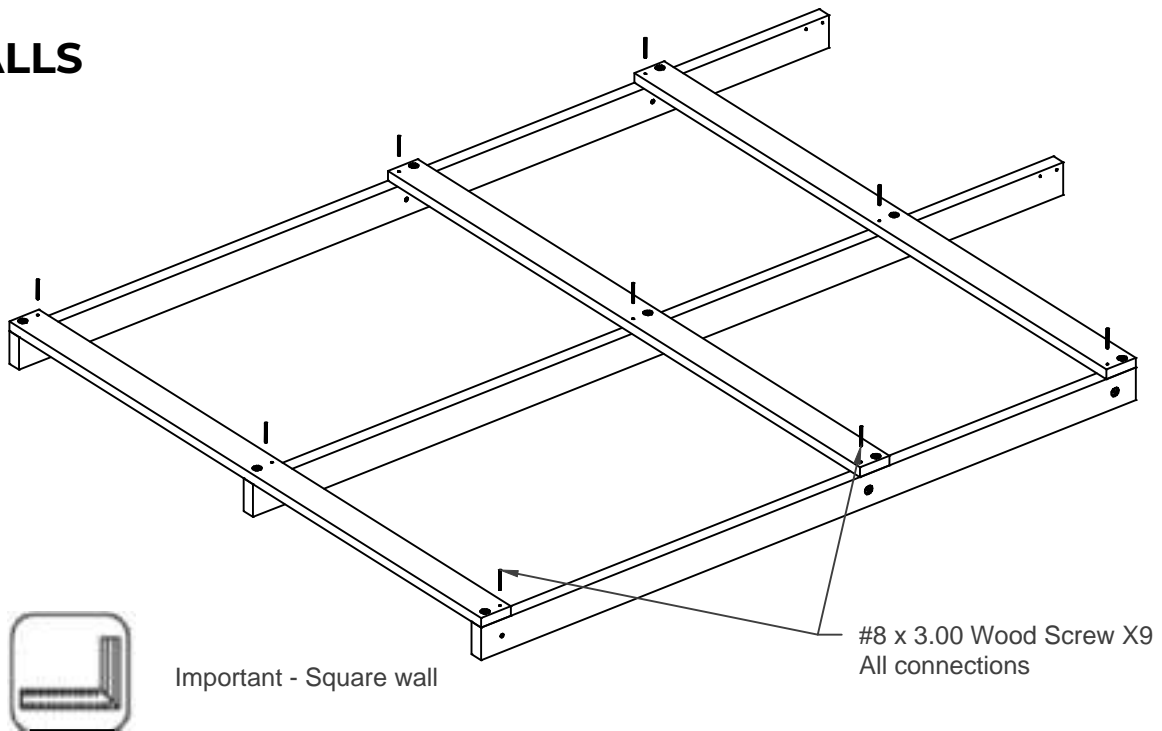
3

WALLS



4

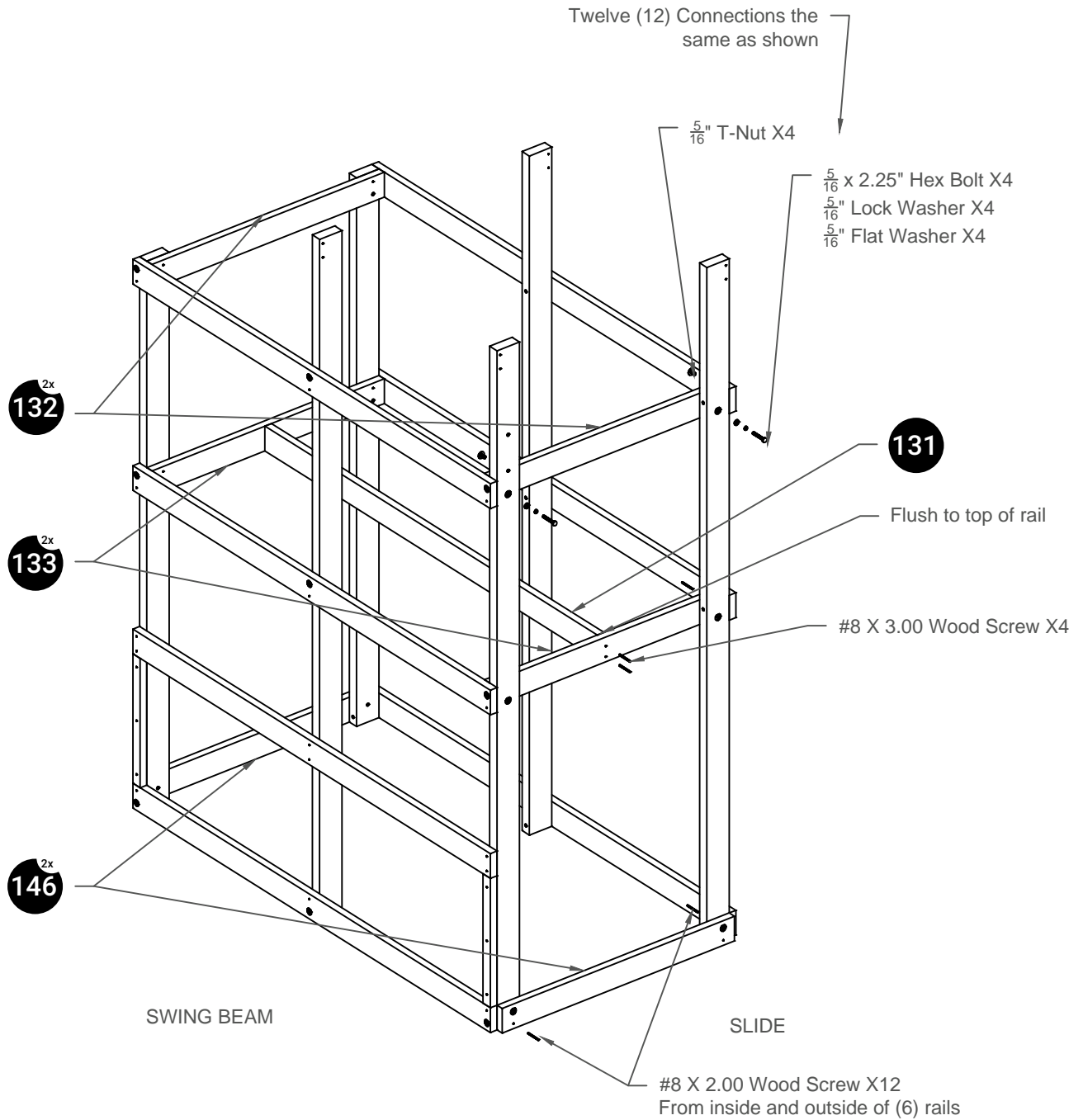
WALLS



1. Layout parts and assemble as shown.
2. IMPORTANT - SEE SMALL HOLE ORIENTATION ON UPRIGHTS.
3. After walls are square install #8 wood screws.

Parts Required:

126 X1	144 X2
128 X1	148 X1
142 X1	

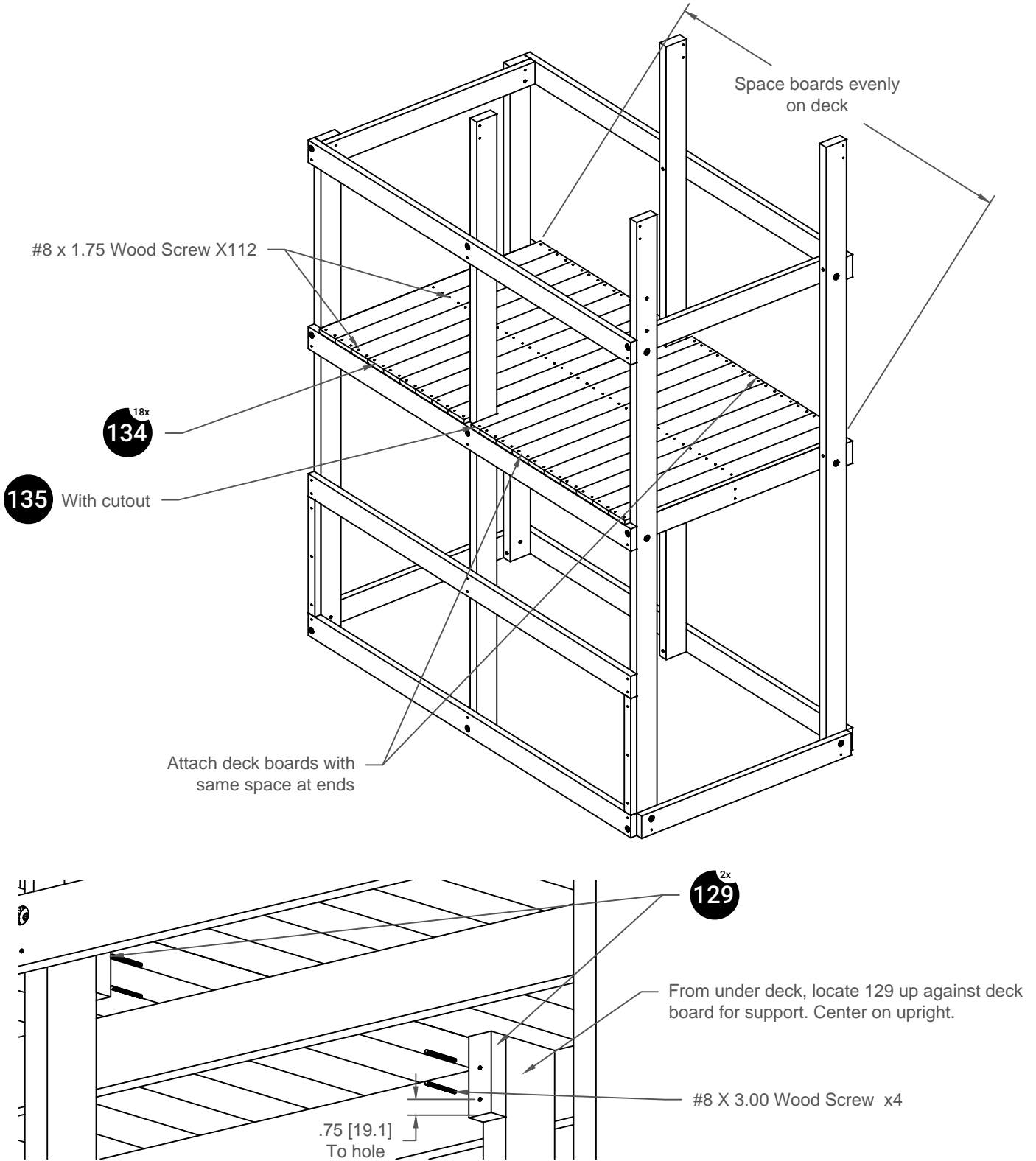


Important - Square wall

1. Stand walls and attach rails as shown.
2. Activities are shown to note the orientation of the playset.
3. After walls are square install #8 wood screws.

Parts Required:

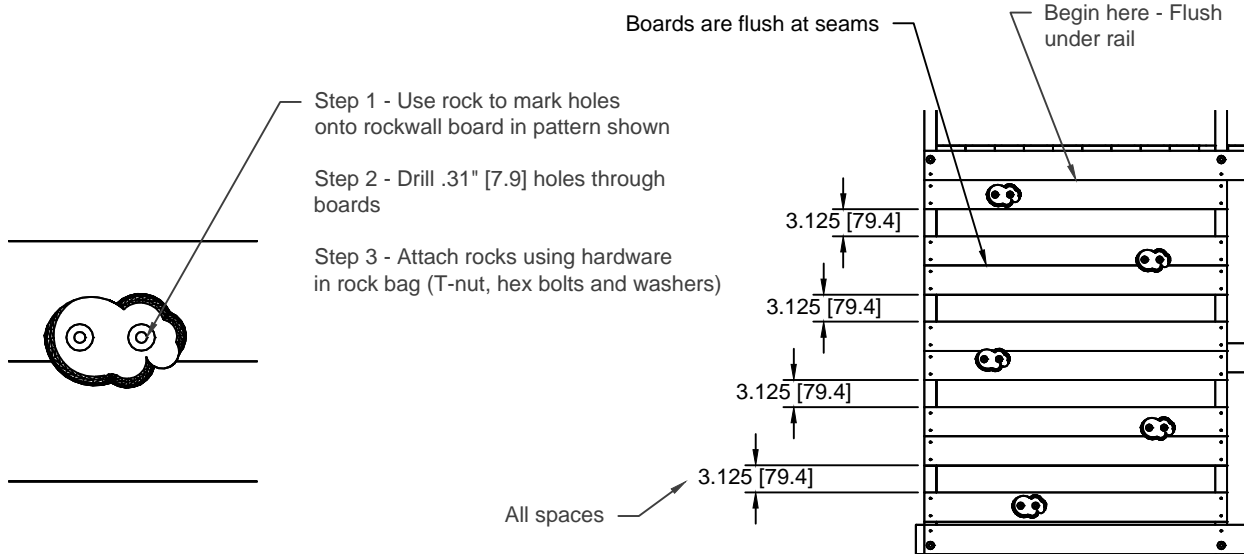
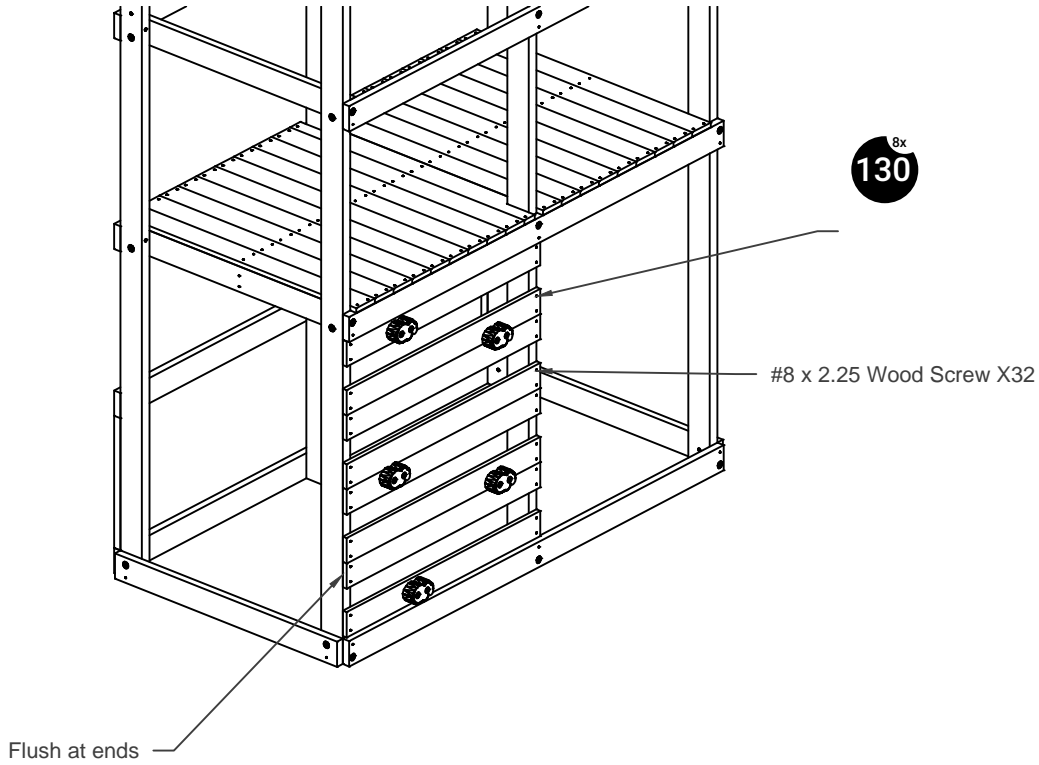
131 X1	146 X2
132 X2	
133 X2	



1. Locate and attach parts as shown.

Parts Required:

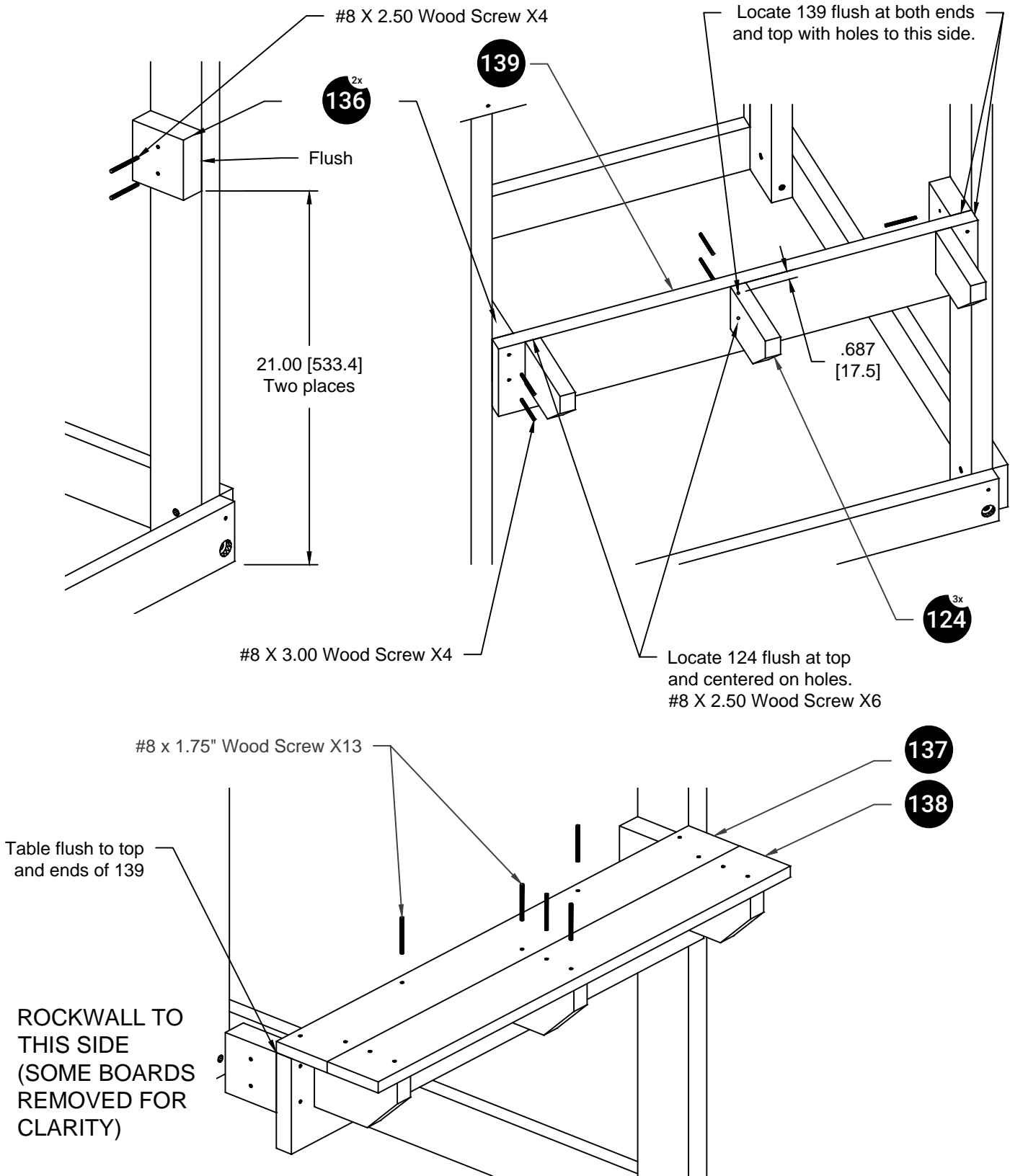
128 X2	135 X1
134 X18	



1. Attach rockwall boards and rocks as shown.

Parts Required:
 130 X8
 Rocks with Hardware X5

TABLE

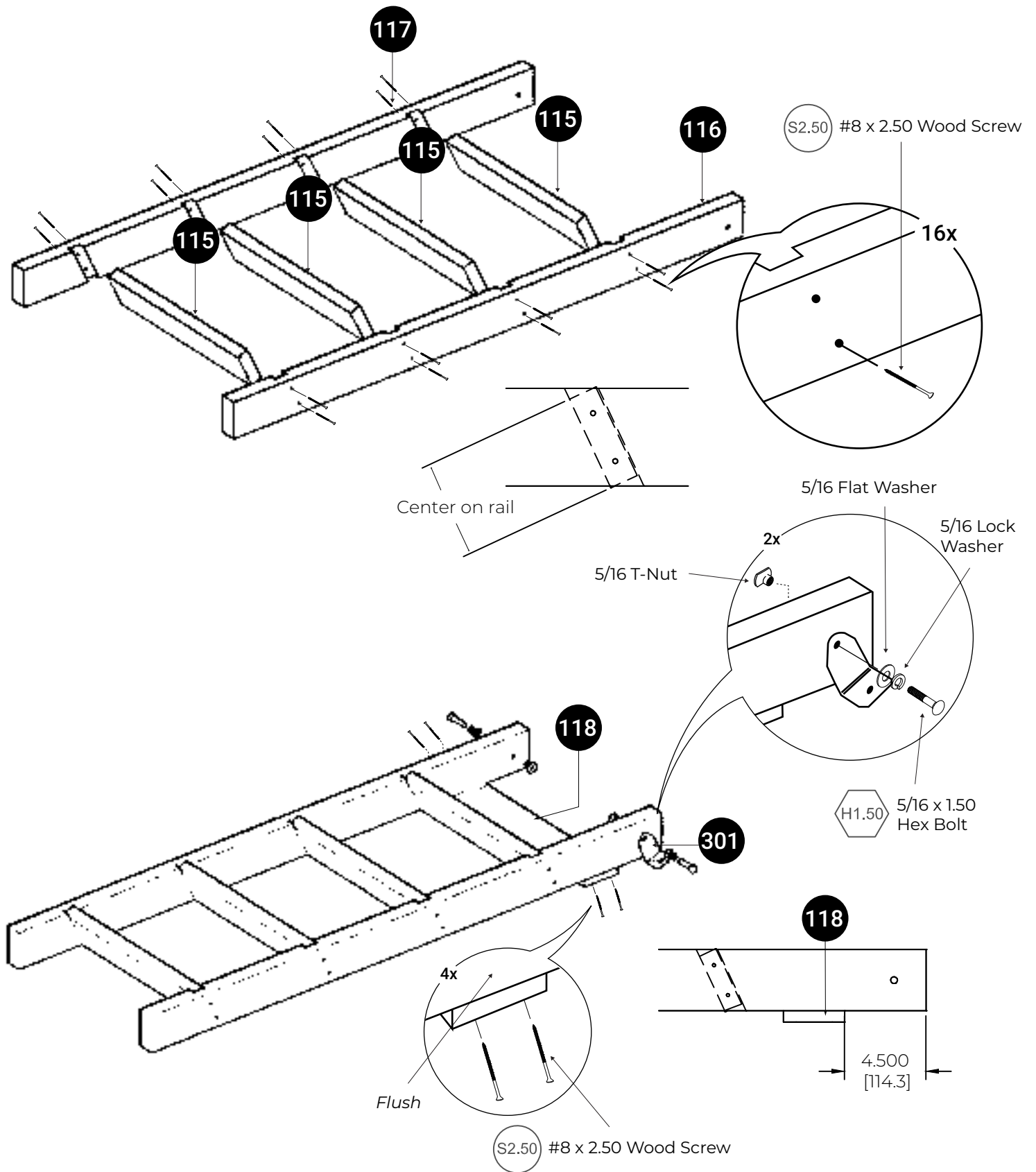


1. Locate and attach parts as shown.

Parts Required:

124 X3	138 X1
136 X2	139 X1
137 X1	

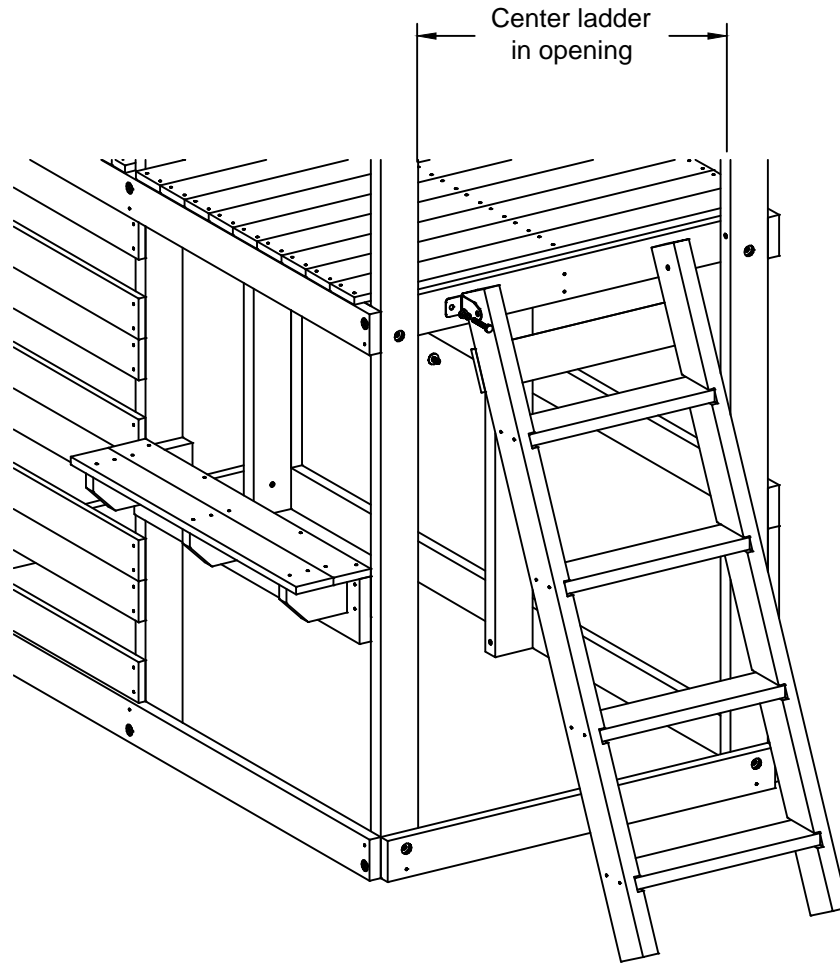
LADDER



1. Layout and attach parts as shown

Parts Required:

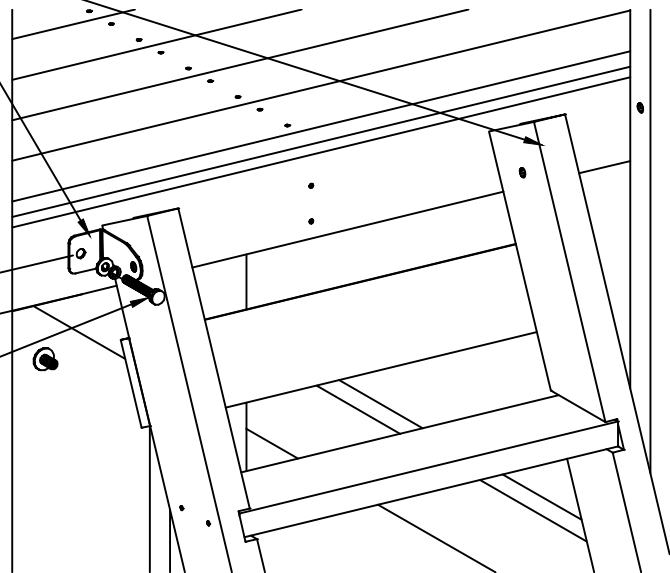
115 X 4	117 X 1
116 X 1	118 X 1



Mark center of hole and
drill a $\frac{3}{8}$ " hole through rail
2 - Holes

Center brackets
on rail

$\frac{5}{16}$ x 1.25" Hex Bolt X2
 $\frac{5}{16}$ " Lock Washer X2
 $\frac{5}{16}$ " Flat Washer X2
 $\frac{5}{16}$ " T-Nut X2 on opposite side



1. Locate and install parts as shown.
2. Locate ladder centered in opening and drill two holes for the ladder brackets

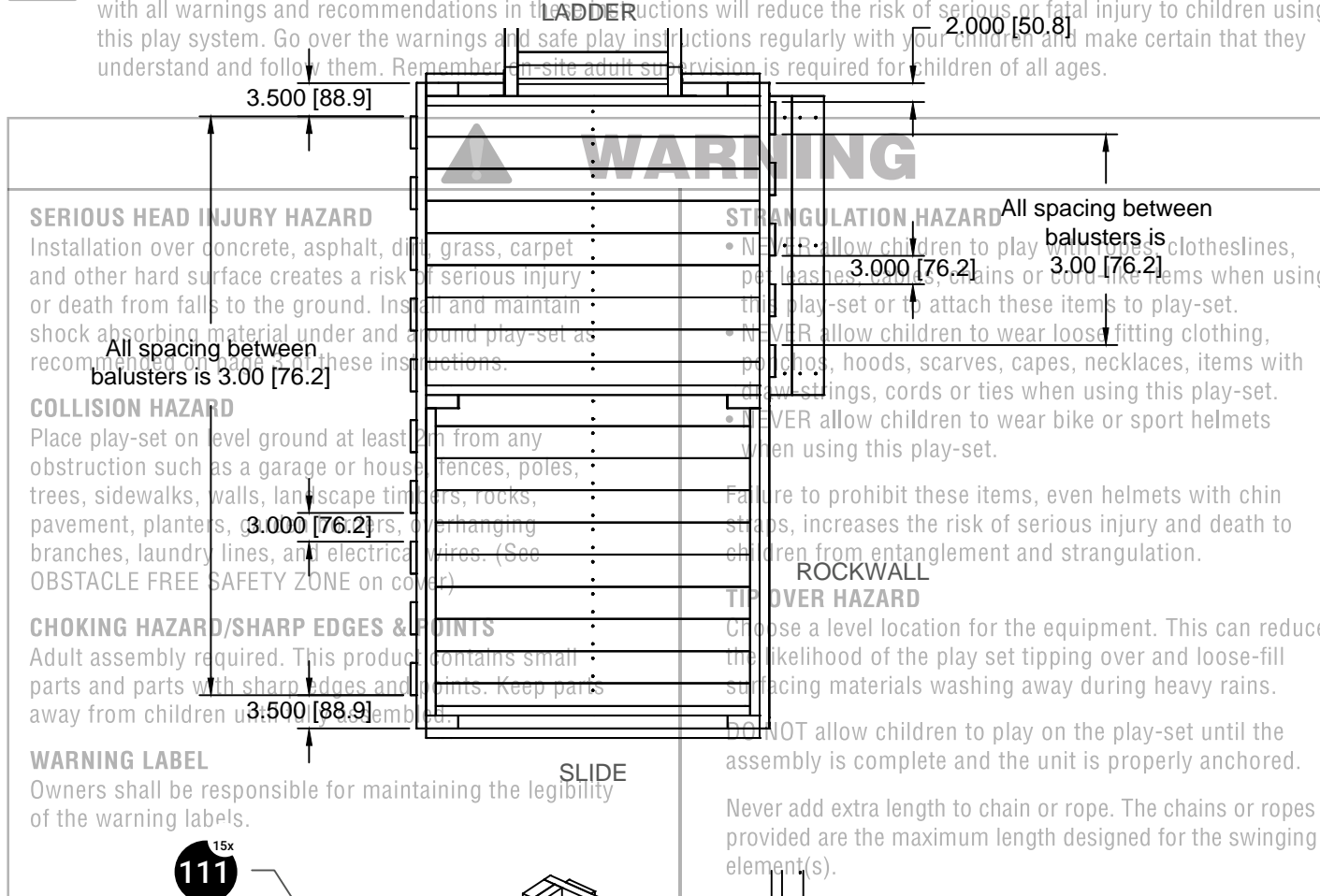
Parts Required:
Ladder Assembly X1

Warnings and Safe Play Instructions

BALUSTERS



ADULT SUPERVISION REQUIRED. Most serious injuries and deaths on playground equipment have occurred while children were unsupervised! Our products are designed to meet mandatory and voluntary safety standards. Comply with all warnings and recommendations in the instructions will reduce the risk of serious or fatal injury to children using this play system. Go over the warnings and safe play instructions regularly with your children and make certain that they understand and follow them. Remember, on-site adult supervision is required for children of all ages.



WARNING – Safe Play Instructions

- ✓ Observe capacity limitations for your play-set. See front cover.
- ✓ Dress children with well fitting and full bottomed footwear.
- ✓ Teach children to sit with their full weight in the center of the swing seat to prevent erratic swing motion or falling off.
- ✓ Check for splintered, broken, cracked, wood missing, loose, or sharp edged hardware. Replace, tighten and/or sand smooth as required prior to playing.
- ✓ Verify that suspended climbing ropes, rope ladders, chain or cable are secured at both ends and cannot be looped back on itself as to create an entanglement hazard.
- ✓ On sunny and or hot days, check the slide and other plastic rides to assure that they are not very hot as to cause burns. Cool hot slide and rides with water and wipe dry prior to using.
- ✓ Orientate slide such that it gets the least amount of exposure

- ✗ Do not allow children to wear open toe or heel footwear like sandals, flip-flops or slugs.
- ✗ Do not allow children to walk in front, between, behind or close to moving rides.
- ✗ Do not let children twist swing chains or ropes or loop them over the top support bar. This may reduce the strength of the chain or rope and cause premature failure.
- ✗ Do not let children get on rides while they are in motion.
- ✗ Do not permit climbing on equipment when it is wet.
- ✗ Do not permit rough play or use of equipment in a manner for which it was not intended. Standing on or jumping from the roof, elevated platforms, swings, climbing ladders or slide can be dangerous.
- ✗ Do not allow children to swing empty rides or seats.
- ✗ Do not allow children to go down slide head first or run up slide.

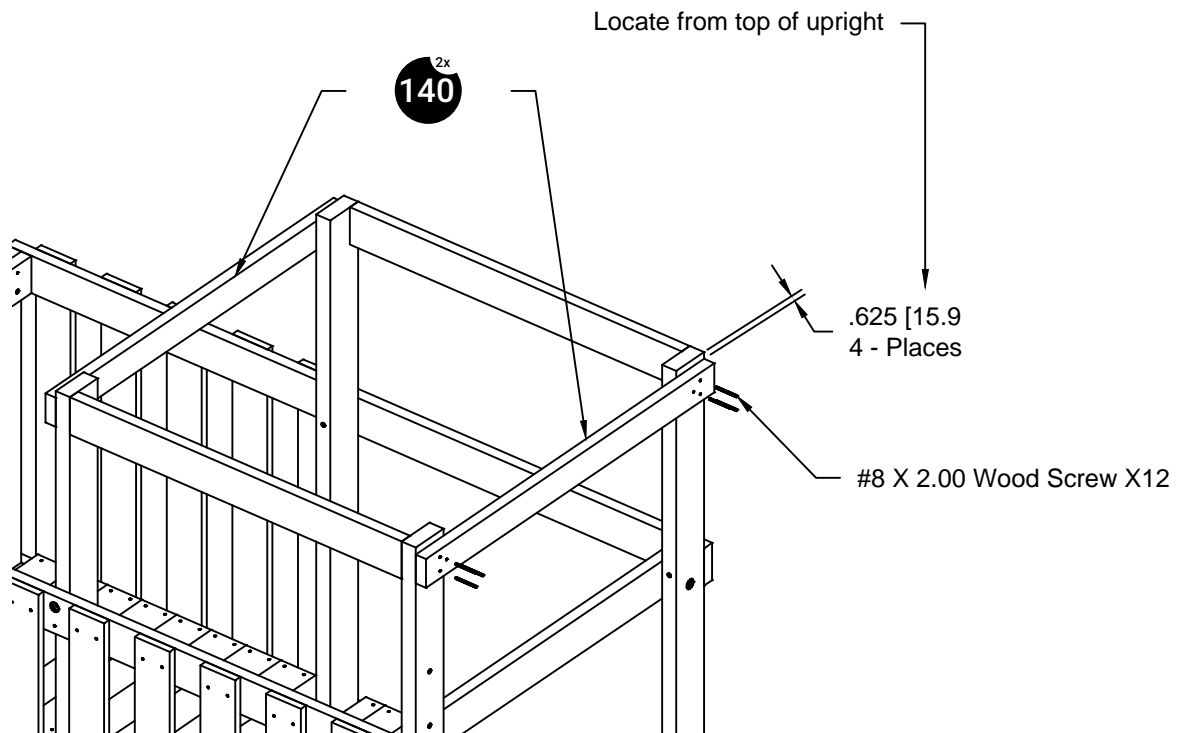
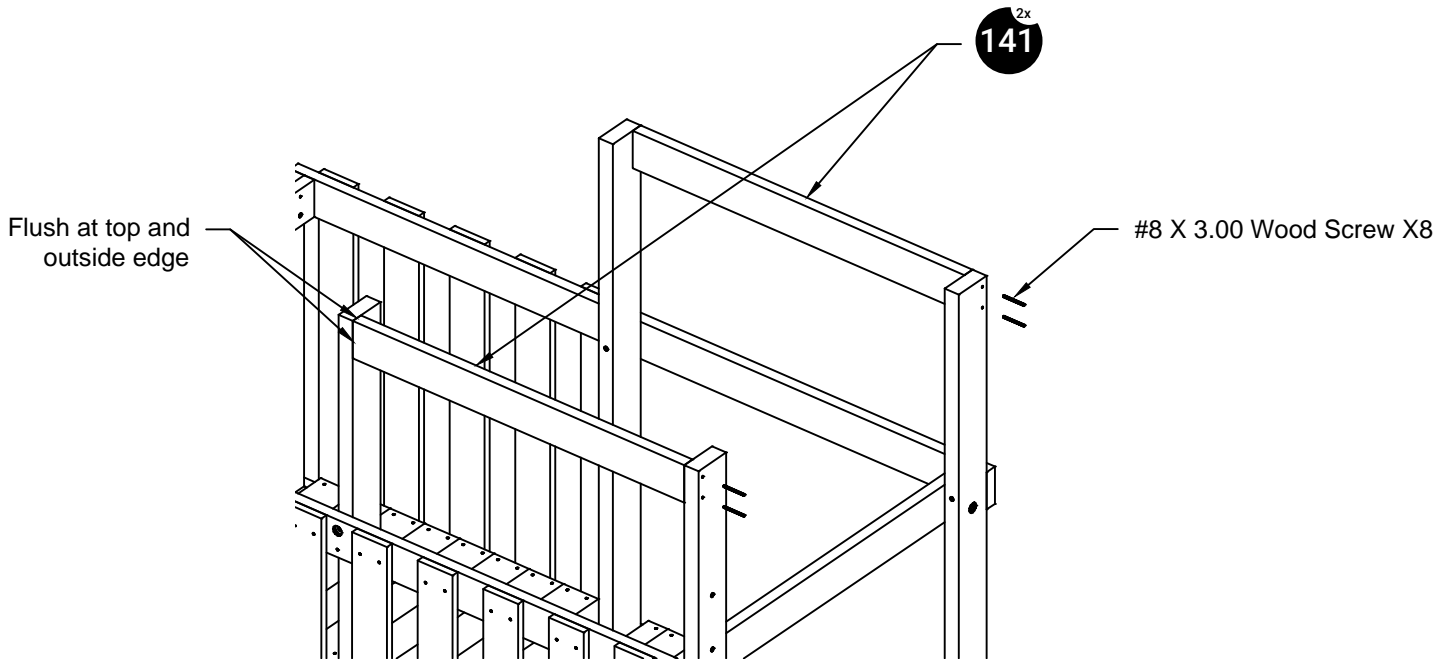
#8 x 1.38 Wood Screw X60

Balusters are flush at top and bottom of rails

Parts Required:

111 X15

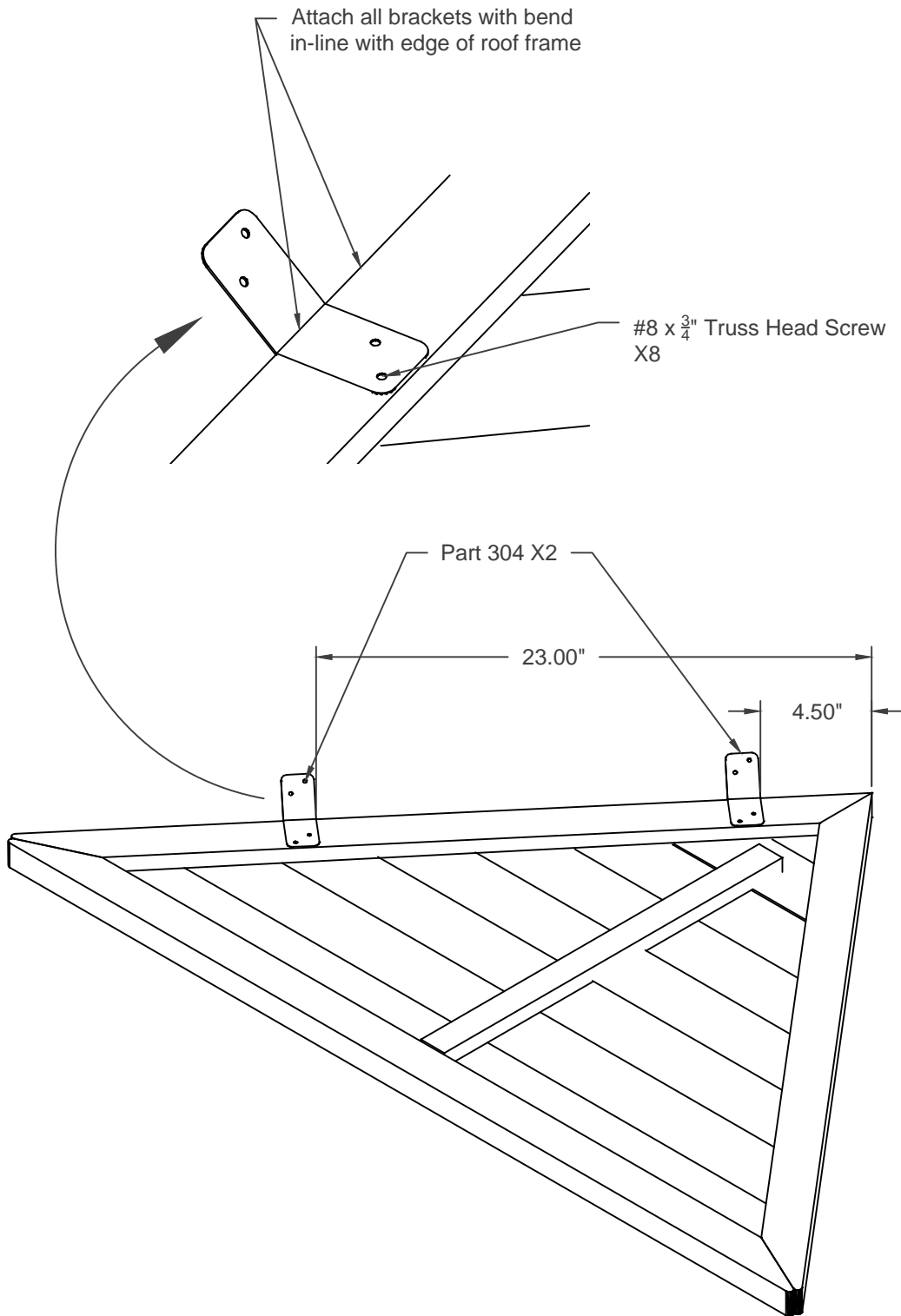
1. Locate and attach parts as shown



1. Locate and attach parts as shown.

Parts Required:

140 X2
141 X2

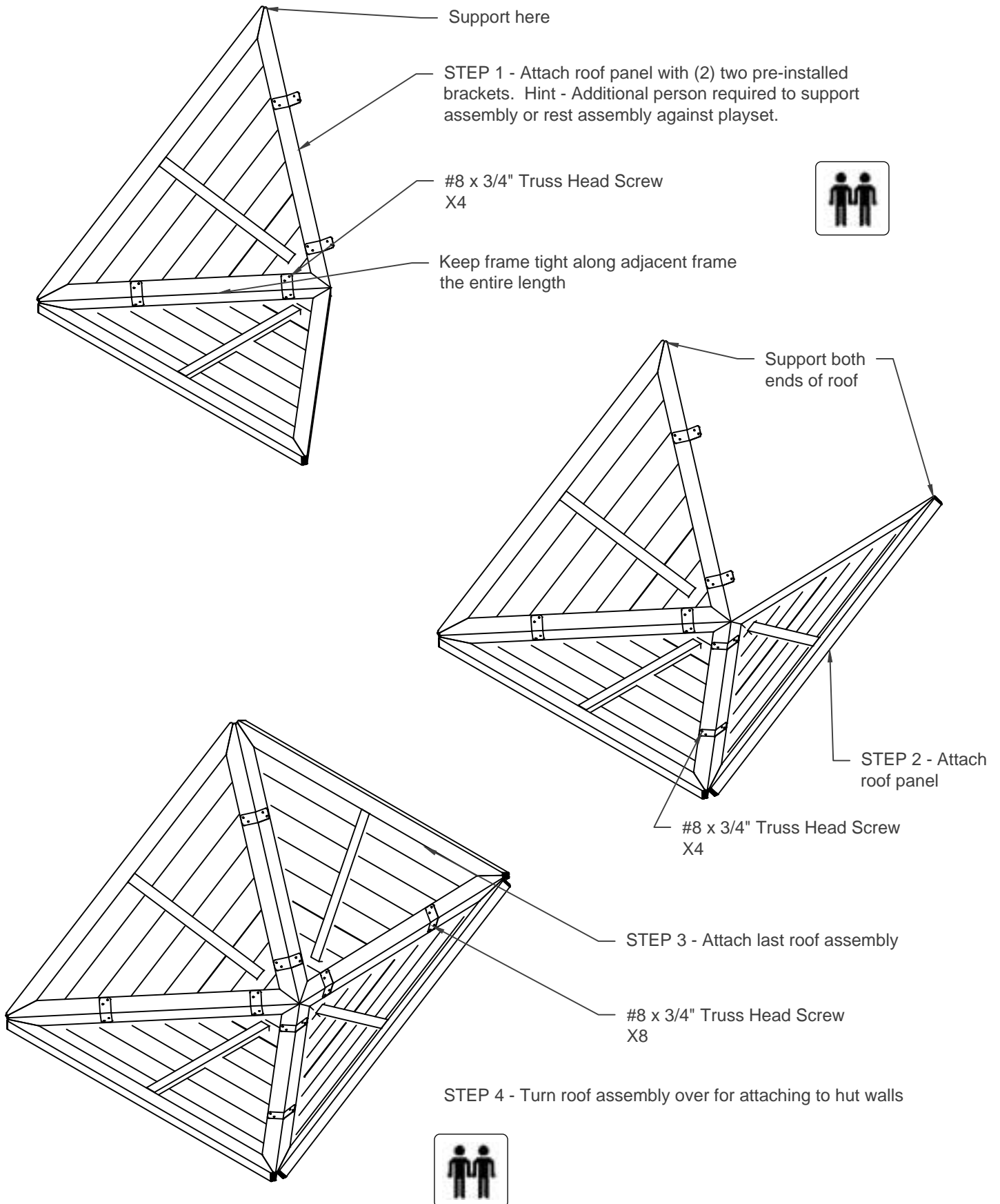


ATTACH BRACKET TO X4 ROOF PANELS

1. Attach (2) brackets to a roof section as shown.
2. Make (4) Roof/Bracket Assemblies.

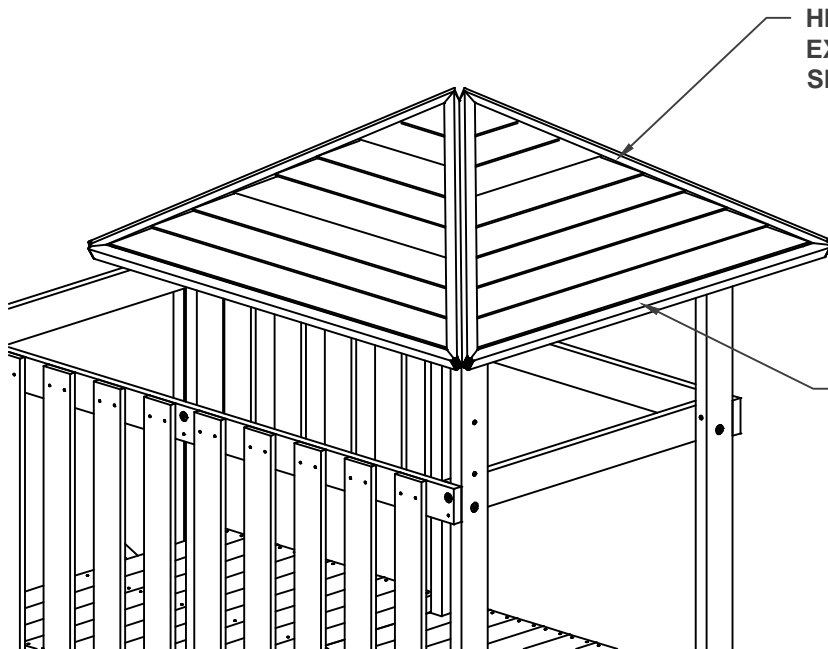
Parts Required:
ROOF 1 X4

ROOF



1. Assemble roof panels as shown.
2. Two people required to avoid damaging roof panels.

Parts Required:
ROOF 1 X4

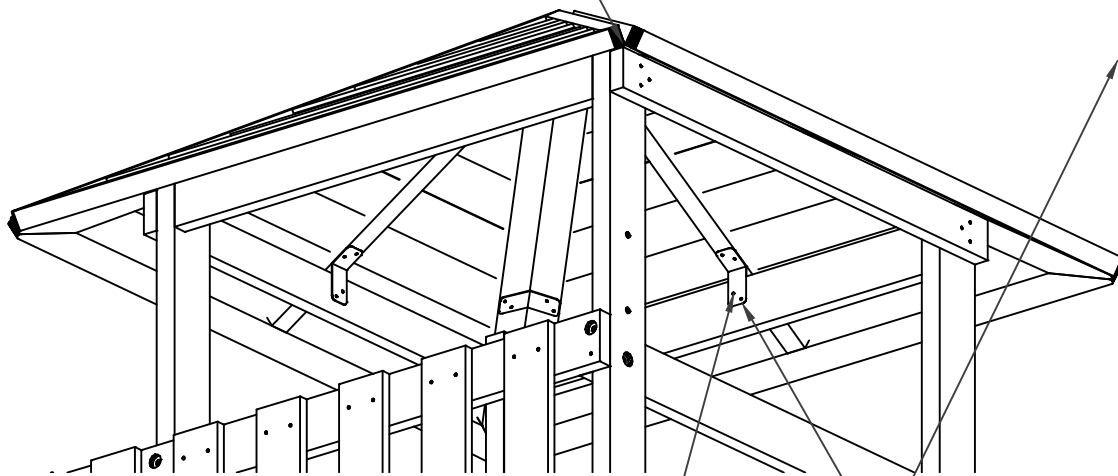


HINT - FOR A WATERTIGHT SEAL, USE AN EXTERIOR RATED CAULK ALONG THE SEAMS IN THE ROOF

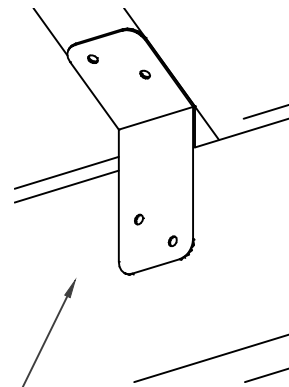
Two people required to lift and place the roof assembly onto the playset. The roof will rest on the corners of the playset



All corners of the uprights should be in line with the seam in the roof panel frame when the roof assembly is resting on the playset



#8 x .75 Truss Head Screw X16

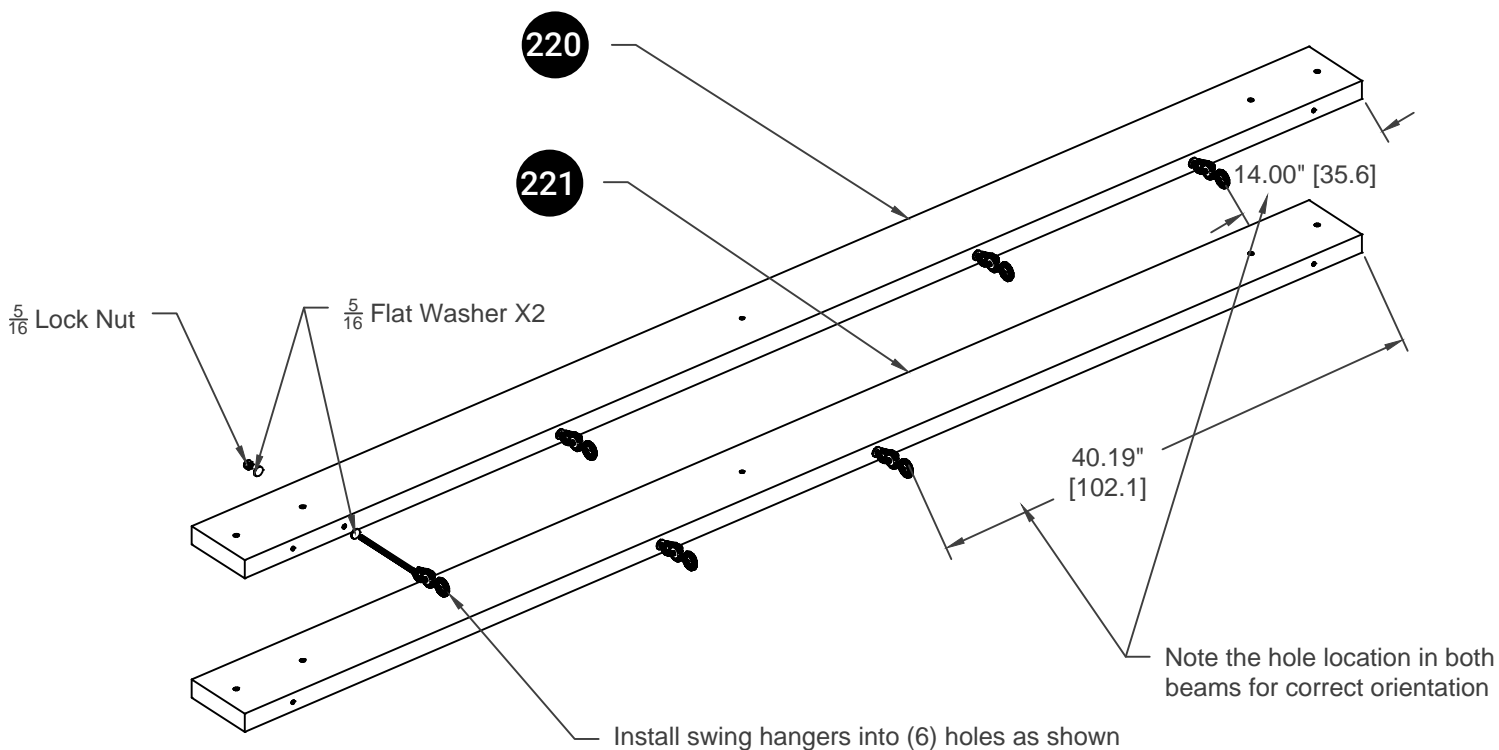
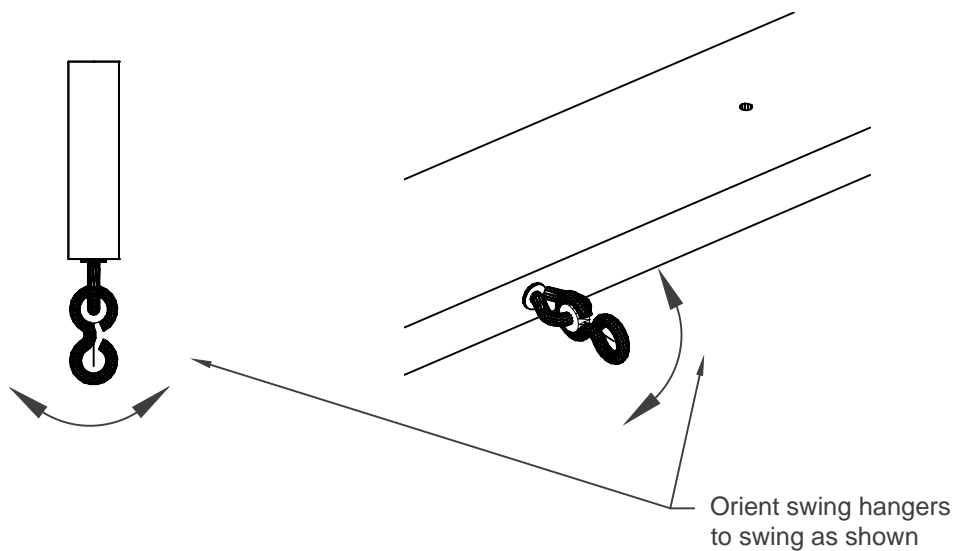


Part 303
From under the roof, locate bracket against the roof brace and braces. Attach as shown at (4) four locations (Note: The roof will remain resting on the four corners)

1. TWO PEOPLE required to lift and rest roof onto the playset uprights.
2. Attach roof assembly to playset as shown.
3. Hint - apply a an exterior rated caulk on the seams of the roof to make the roof watertight

Parts Required:
303 Bracket X4

SWING HANGERS

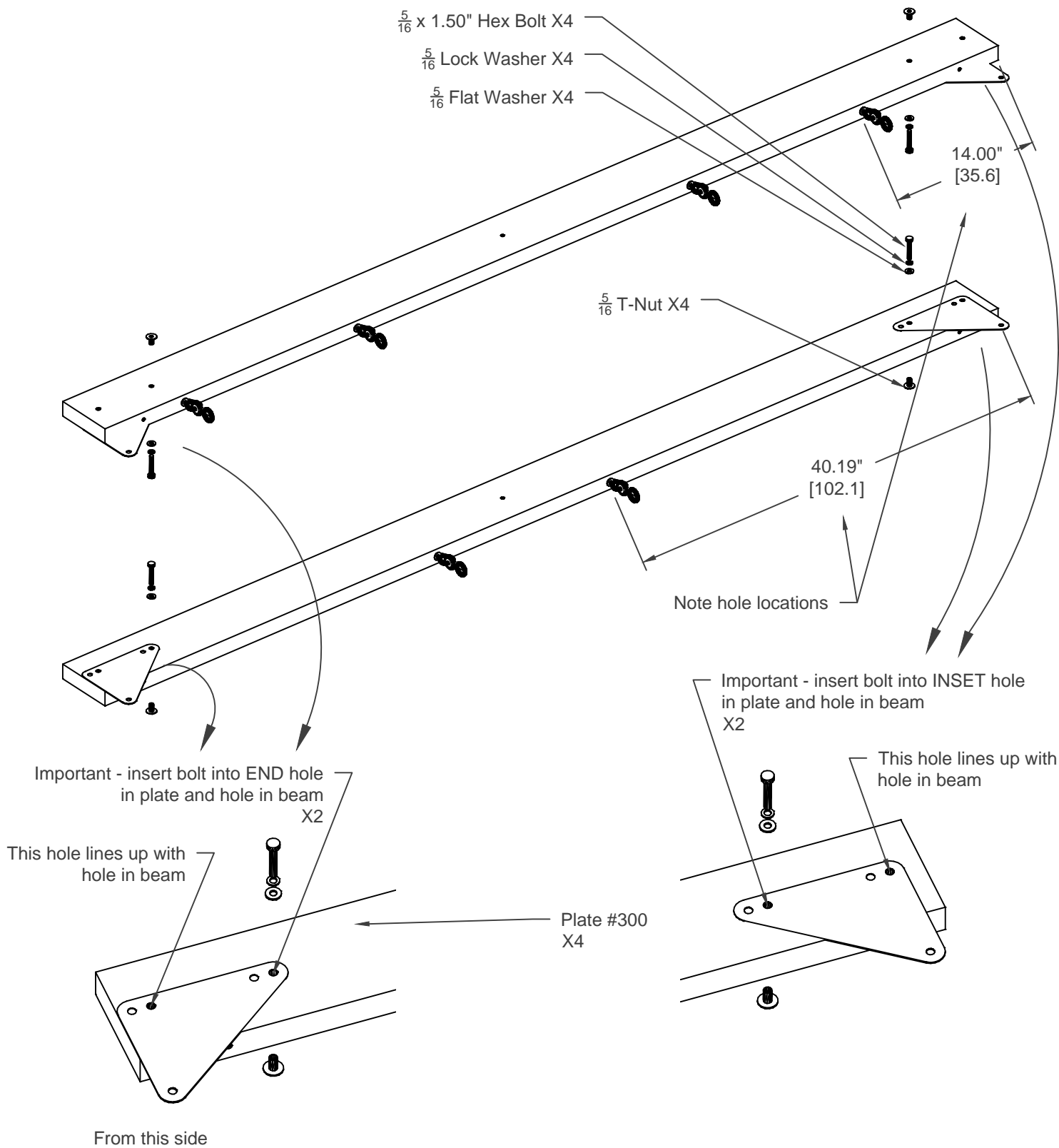


1. Locate and install parts as shown.
2. Make sure to orient hangers as shown.

Parts Required:

220 X1
 221 X1
 Swing Hangers X6

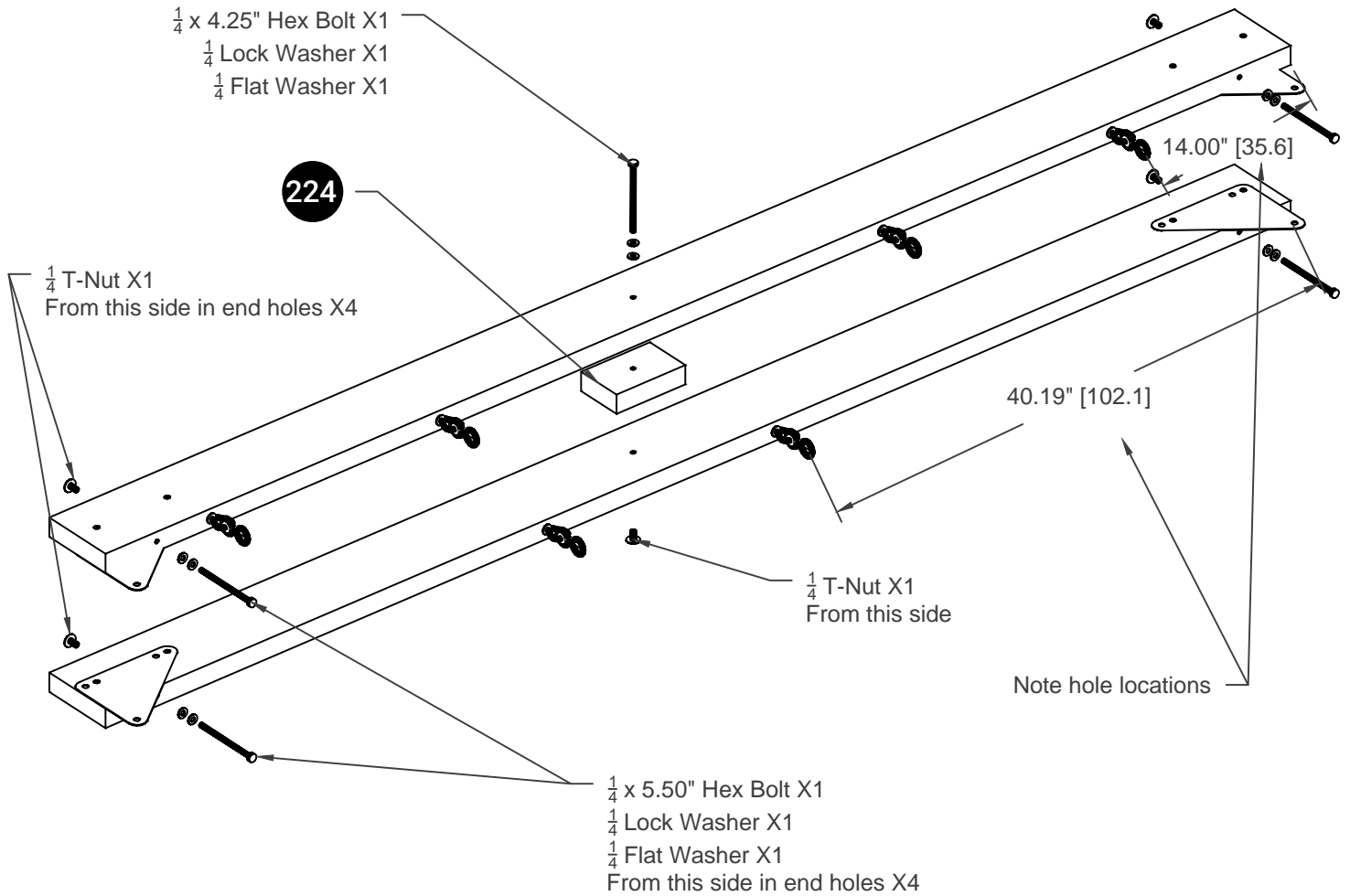
BEAM PLATES



1. Locate and install parts as shown.

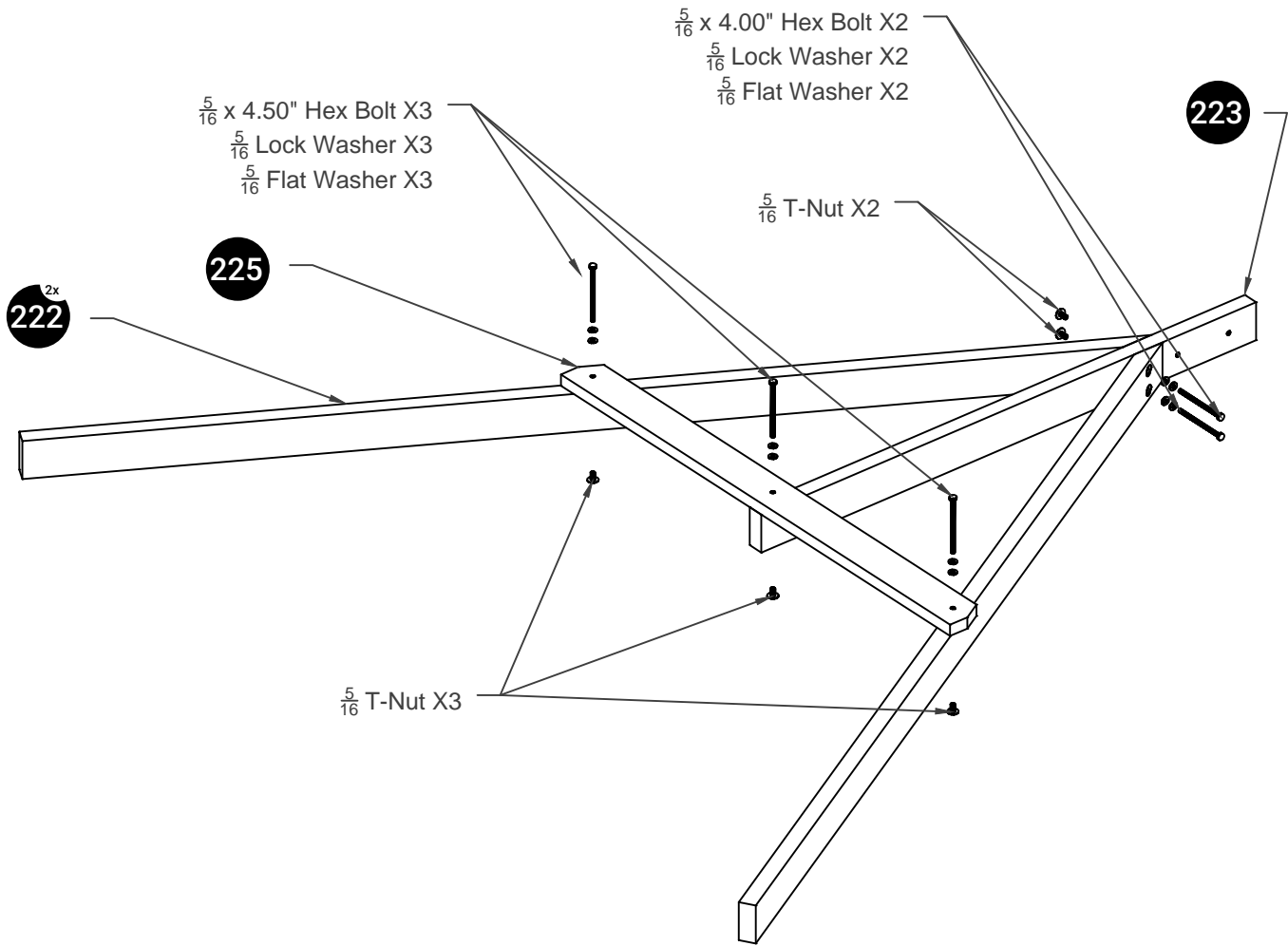
Parts Required:
300 Plate X4

ASSEMBLE BEAMS



1. Locate and install parts as shown.

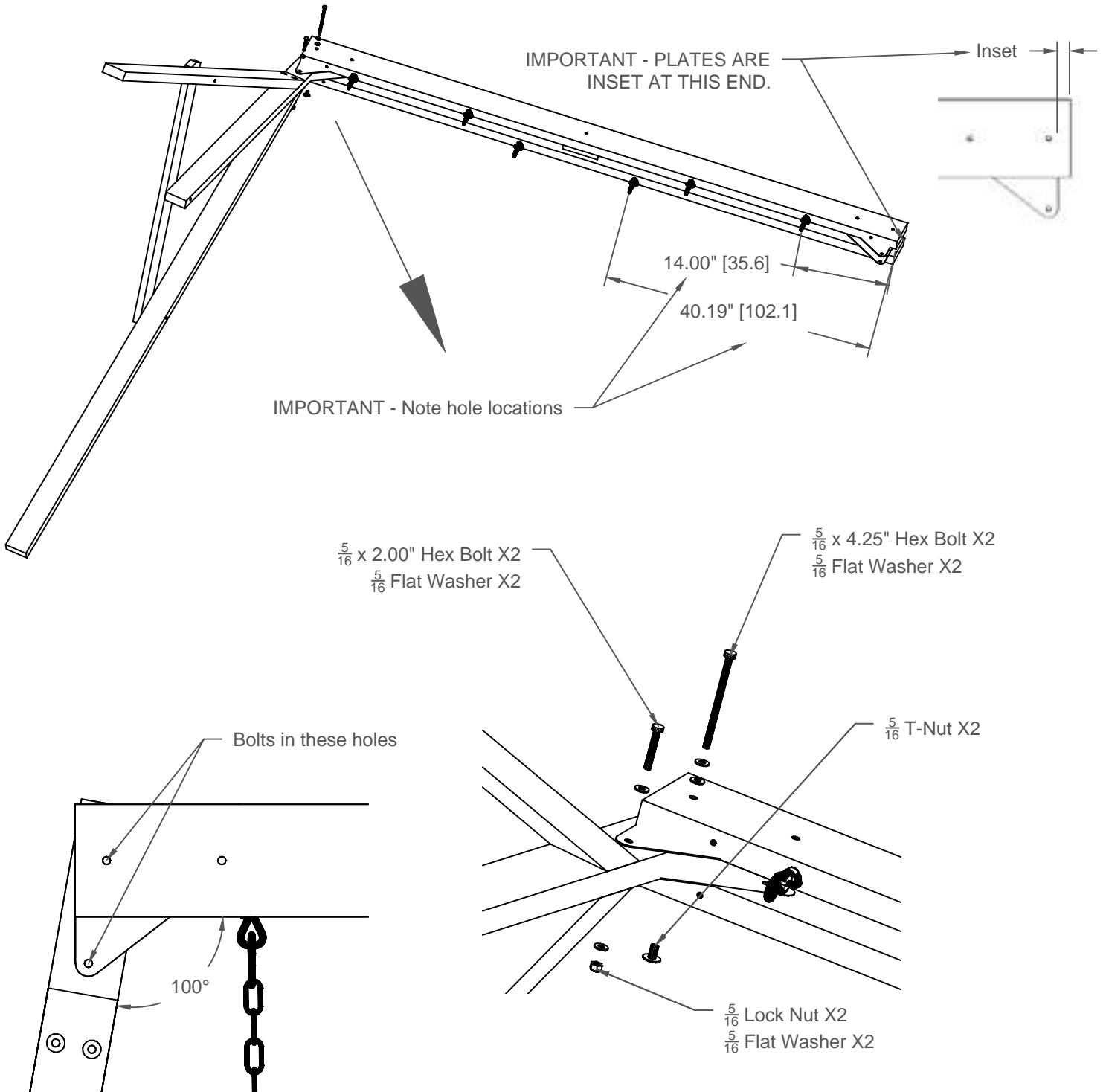
Parts Required:
224 X1



1. Locate and install parts as shown.

Parts Required:

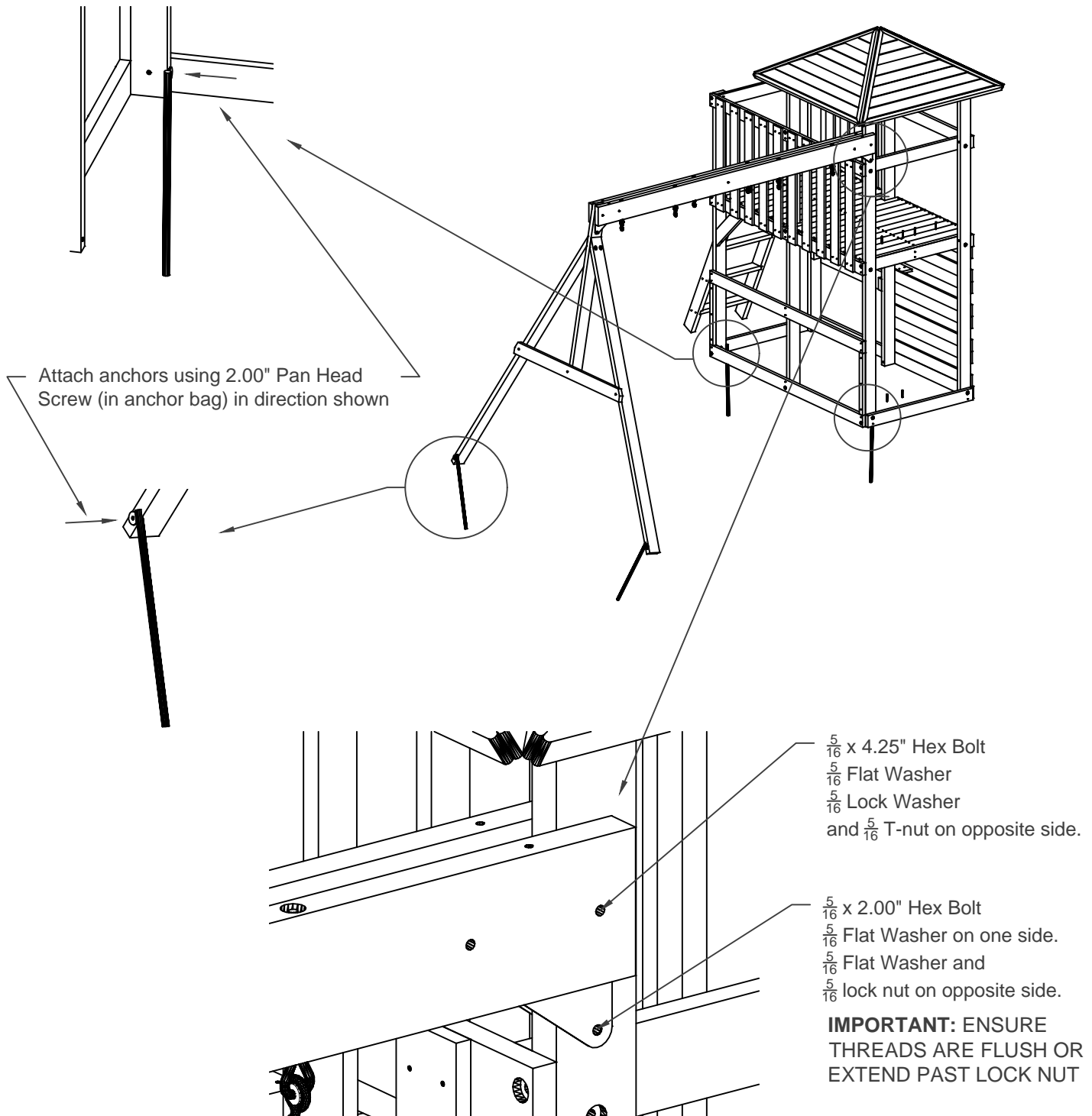
222 X2	146 X2
223 X1	



1. Locate and install parts as shown.

Parts Required:
Beam Assembly X1
A-Frame Assembly X1

SWING BEAM

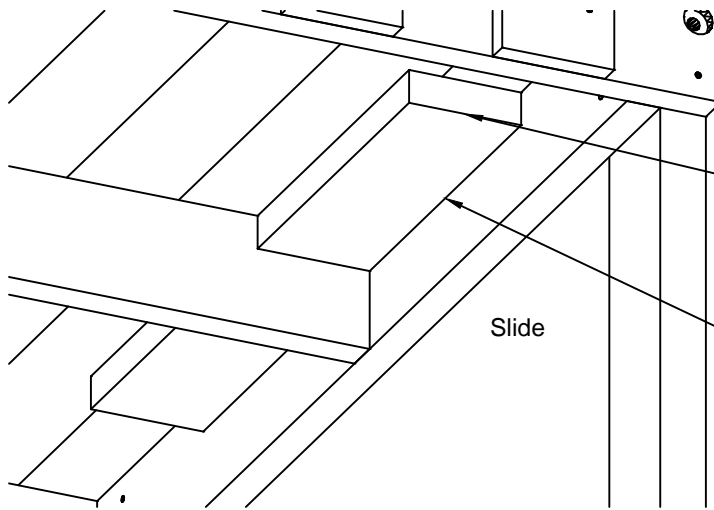
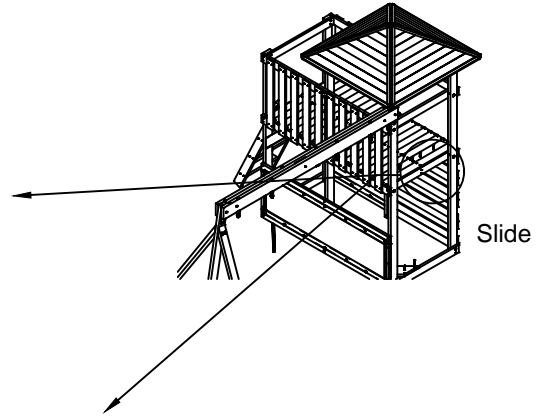
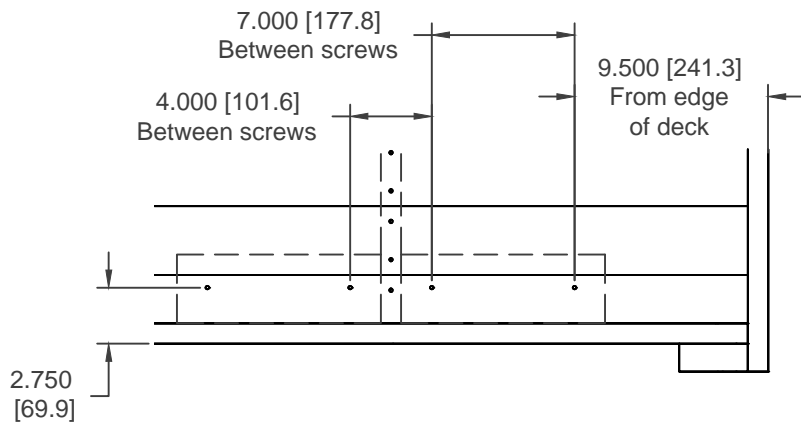


1. Locate the swing beam assembly to the upright and attach as shown.
2. Install the (4) ground anchors at locations shown.

Parts Required:

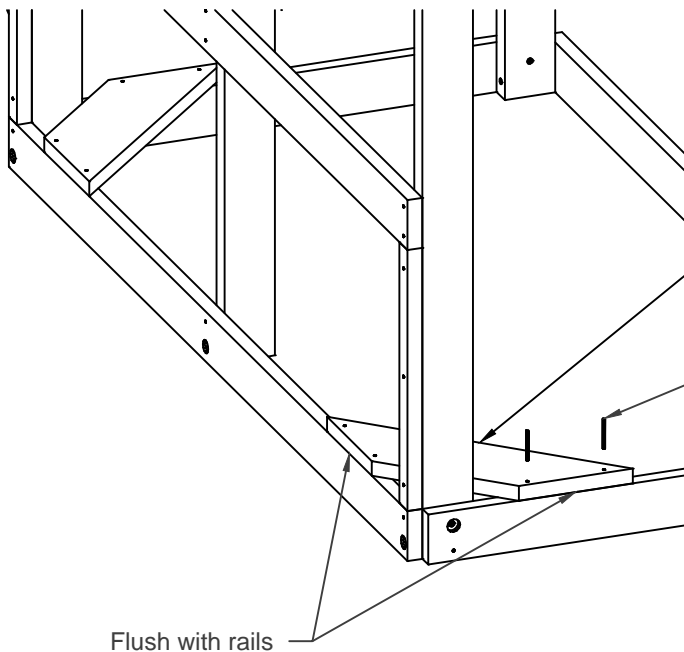
Swing Beam Assembly X1
 309 Ground Anchors X4

SANDBOX SEATS - SLIDE BLOCK



^{2x}
145

From under the deck, locate 145 against deck board, rail and joist. Attach from TOP of deck through deck board at measurements shown
#8 X 1.38 Wood Screw X4
2 - Screws per board



^{2x}
119

#8 x 2.50 Wood Screw X8

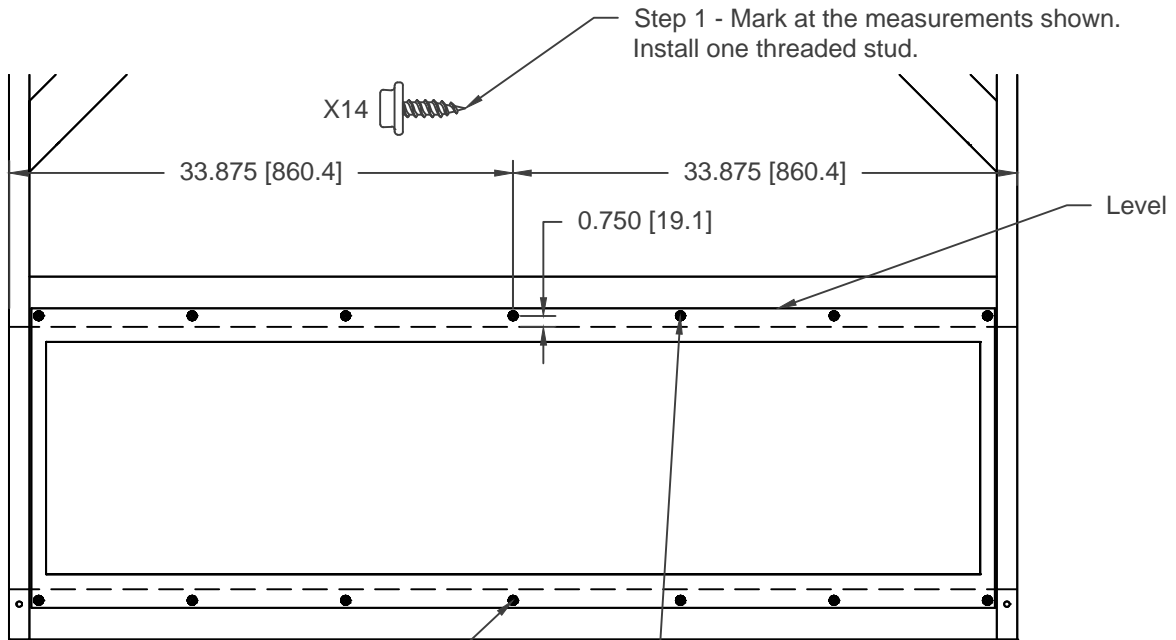
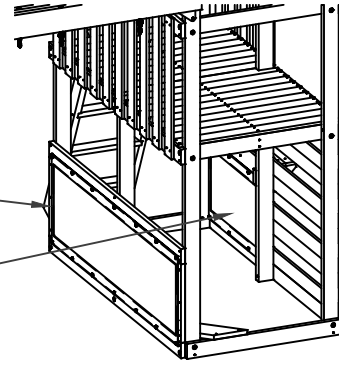
1. Attach parts as shown.

Parts Required:

119 X2
145 X2

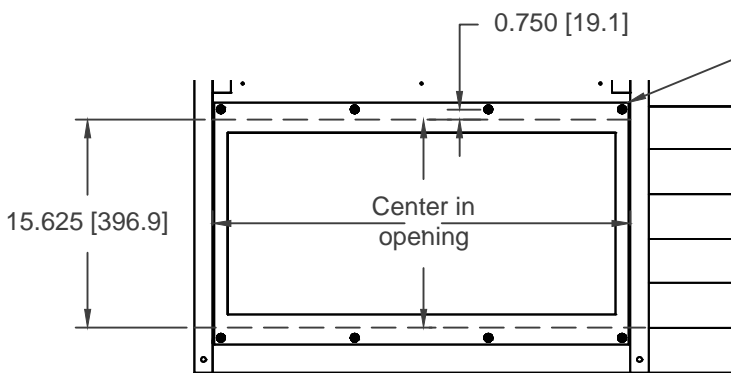
Swing Beam Side Tarp
(On outside of wall)

Table Tarp
(On inside of wall)



Step 3 - With tarp attached at top, pull tarp down firmly and tap the snaps to leave a mark in the wood. Install threaded studs at marks.

Step 2 - Attach the tarp to the middle snap, pull tarp to sides and tap the snaps to leave a mark in the wood. Install threaded studs at marks.



Hold tarp centered in opening. Snaps are located .75 [19.1] onto table rail. Tap snaps at TOP ONLY to leave marks in the wood. Install threaded snaps at each mark.

Attach tarp across top onto snaps. Pull tarp down and sideways firmly. Tap snaps to leave marks in the wood. Install threaded snaps at each mark



1. Attach the tarps as shown. Two people recommended



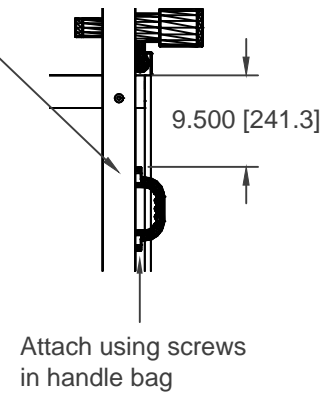
Parts Required:

Table Tarp with Snaps X1
Wall Tarp with Snaps X1

ACCESSORIES - SLIDE

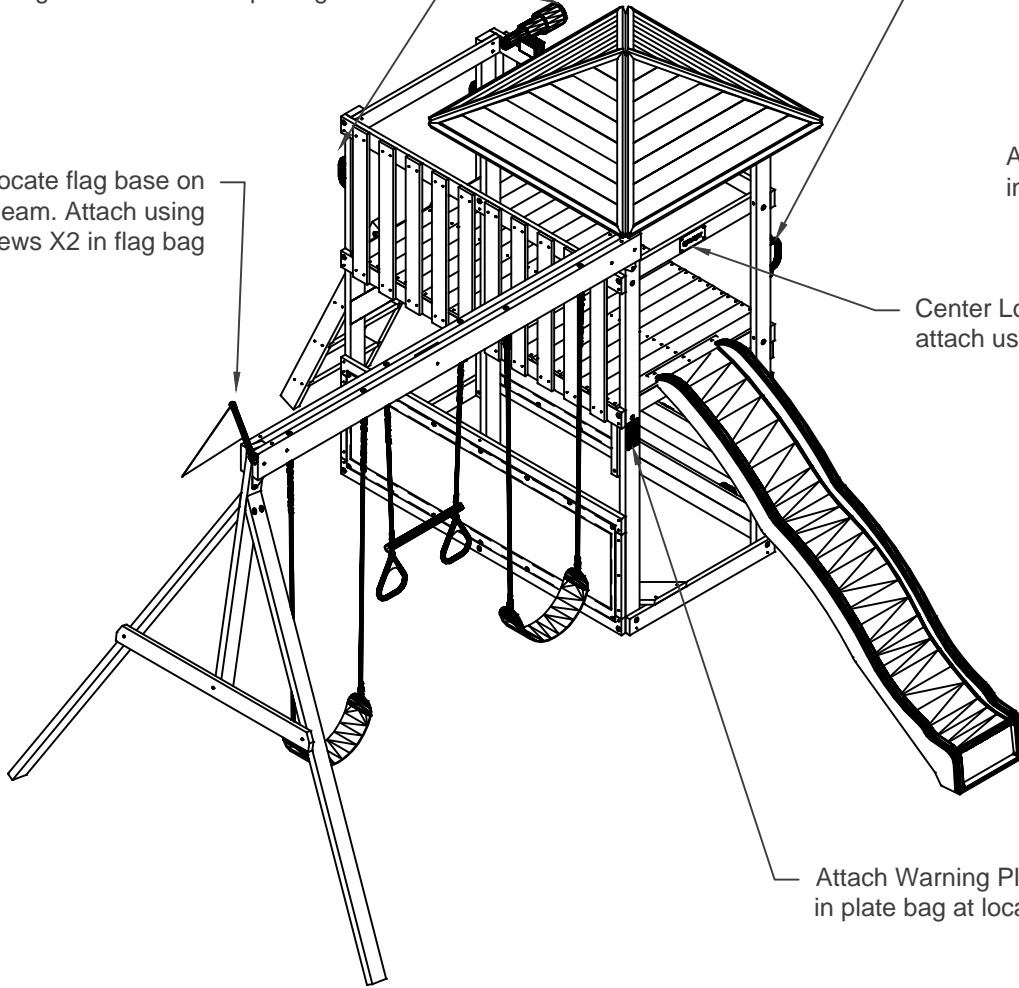
Locate telescope on any top rail.
Do not install over an opening.
Attach using screws in telescope bag

Locate assist handle centered on upright and 9.50 [241.3] down from rails at (4) locations

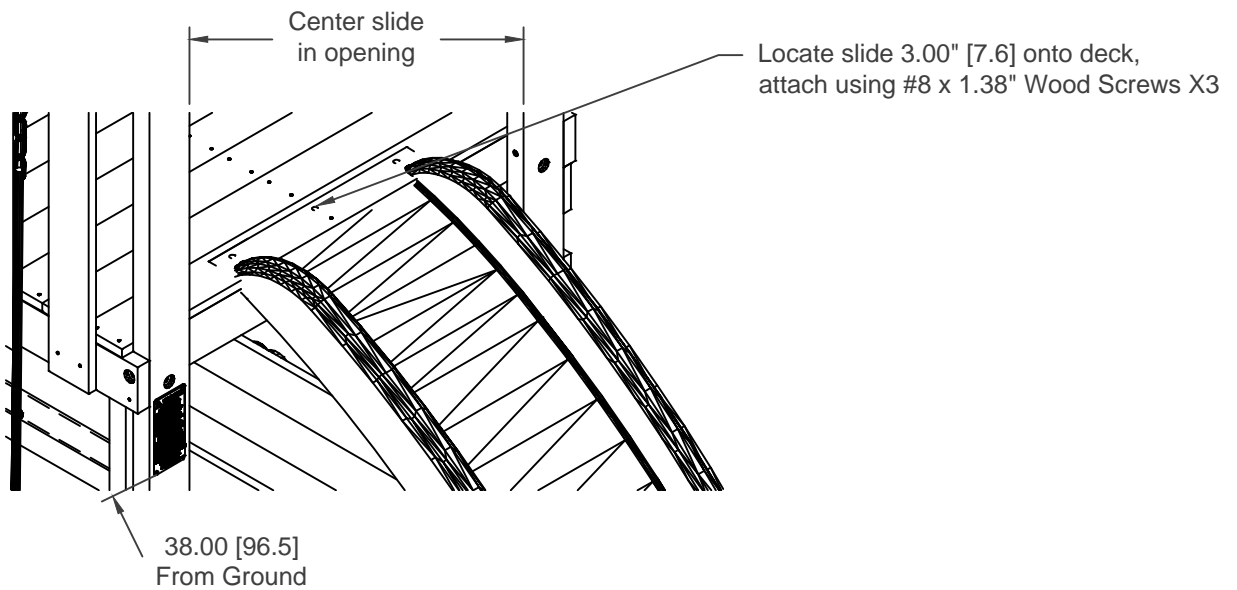


Locate flag base on end of beam. Attach using 1.00" screws X2 in flag bag

Center Logo Plate in opening and attach using screws in plate bag



Attach Warning Plate using screws in plate bag at location shown

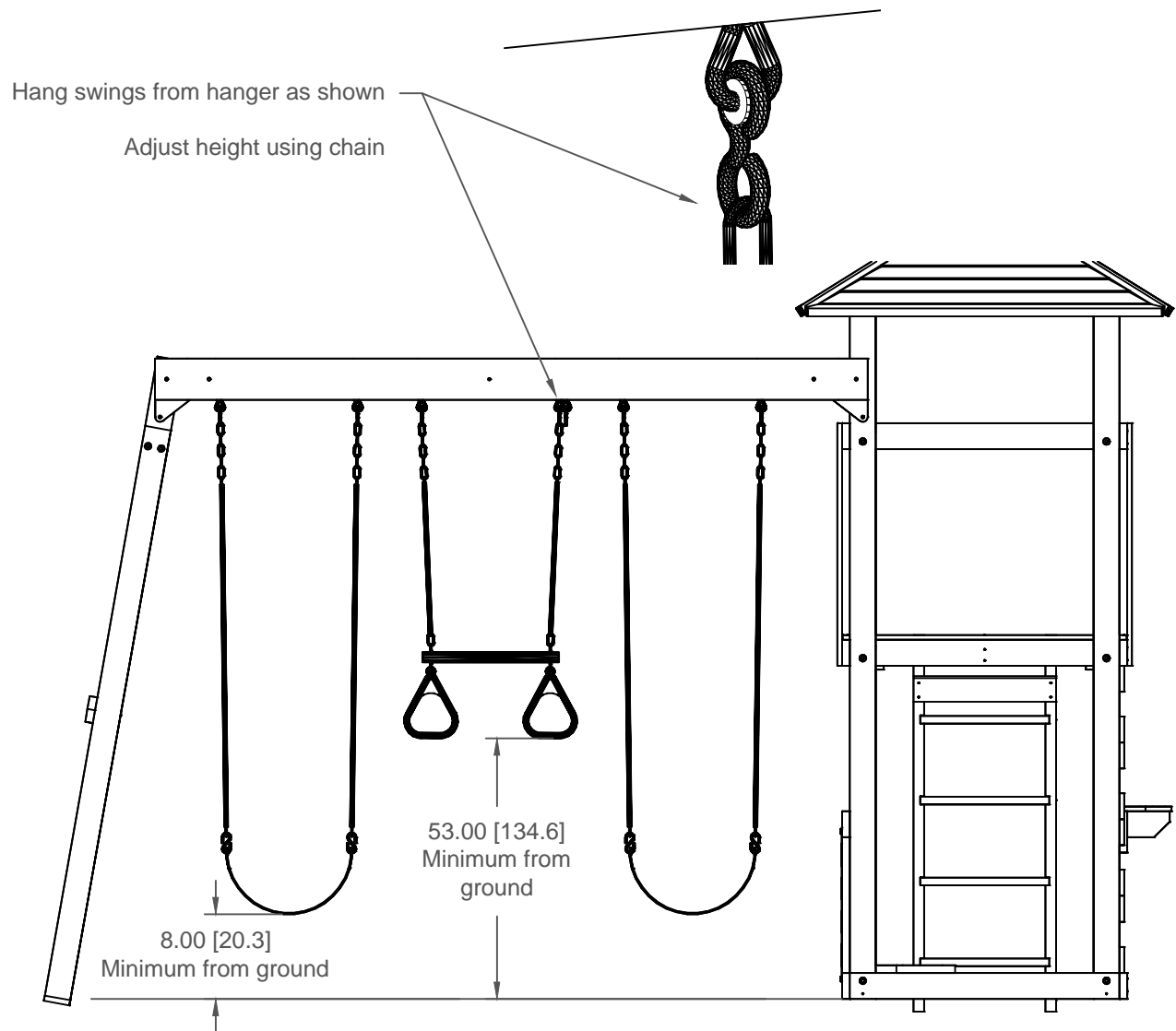


1. Locate and install slide, plates and accessories as shown

Parts Required:

Slide X1	314 Logo Plate X1
Assist Handles X4	Flag X1
313 Warning Plate X1	Telescope X1

SWINGS ATTACHED



1. Attach swings as shown to minimum heights shown.

Parts Required:

Swings X2
Trapeze X1

WARRANTY

This warranty applies to the original residential customer purchasing items from Swiss Walterli (dba. Petit Seal), a Newark Inc., (the "Customer"). Any other document containing warranties that are in addition to or inconsistent with the following warranty shall not be binding up Swiss Walterli. (dba. Petit Seal) without the express written acceptance by an authorized representative of Swiss Walterli. (dba. Petit Seal).

IMPORTANT: Customer shall have forty five (45) days to report missing or damaged parts from the date of delivery to Swiss Walterli.(dba. Petit Seal).

Any warranty claim must include the proof of purchase, which must include the date of purchase. This warranty is between Swiss Walterli's (dba. PETIT SEAL) and the Customer only. This warranty is non-transferable and does not extend to subsequent product owners.

This warranty is void if the product is used in a commercial, institutional, public, or multi-family setting.

Swiss Walterli.(dba. Petit Seal) Warranty

The safety of your child is paramount to us. In an effort to produce the best swing sets in the industry; Swiss Walterli. (dba.Petit Seal) always uses high quality building materials in its products.

Because we choose high quality materials, we're able to offer outstanding warranties on our swing sets. Each swing set comes with its own lifetime or two-year warranty depending on the components included in the specific set. Please see the list of covered components at the bottom of this warranty document to determine the applicable coverage for your specific swing set. This warranty document covers our current swing sets.

Swiss Walterli.(dba. Petit Seal) guarantees its products meet applicable standards only when used as directed under normal operation or service. Swiss Walterli.(dba. Petit Seal) warrants its products, to the Customer, to be free from defects in material and workmanship under normal and proper usage.

THE FOLLOWING ARE EXPRESSLY EXCLUDED FROM THE WARRANTY: components subject to normal wear and tear; unreasonable use or abuse; improper installation or maintenance; vandalism; alterations or modifications; acts of God and/or nature; cosmetic issues including rust, scratches and discoloration; or use of the product other than as intended or designed.

SWISS WALTERLI (DBA. PETIT SEAL) MAKES NO OTHER WARRANTY, EXPRESS OR IMPLIED, WITH REGARD TO THE DESIGN, SALE, MERCHANTABILITY OR FITNESS OF GOODS FOR A PARTICULAR PURPOSE OR USE EXCEPT AS EXPRESSLY SET FORTH HEREIN. SWISS WALTERLI. (DBA.PETIT SEAL) IS NOT SUBJECT TO ANY OTHER OBLIGATIONS OR LIABILITIES ARISING OUT OF BREACH OF CONTRACT OR WARRANTY, TORT CLAIMS INCLUDING NEGLIGENCE AND STRICT LIABILITY, OR ANY OTHER THEORIES OF LAW. SP

IMBA INC. IS UNDER NO EVENT LIABLE FOR ANY SPECIFIC, INDIRECT, INCIDENTAL, OR CONSEQUENTIAL LOSS, DAMAGES, EXPENSE, INJURY, DISMEMBERMENT, OR DEATH OF ANY KIND WHATSOEVER.

SWISS WALTERLI'S (DBA. PETIT SEAL) LIABILITY UNDER THIS WARRANTY IS LIMITED TO THE REPAIR OR REPLACEMENT OF A DEFECTIVE COMPONENT. IN NO EVENT SHALL SWISS WALTERLI'S (DBA. PETIT SEAL) LIABILITY EXCEED THE ACTUAL COST OF MATERIALS NECESSARY FOR REPAIR OR REPLACEMENT OF THE COMPONENT COVERED BY THE WARRANTY

Lifetime Warranty .

Swiss Walterli's (DBA. PETIT SEAL) 2021 Lifetime Warranty includes all wooden (wood from responsible mills & forests) components.

Excludes all, surface cracks, knotholes and knots in the wood components.

A note about wood: The wooden components in your Swiss Walterli's (dba. PETIT SEAL) swing set will have natural imperfections such as surface cracks, knots and knot holes. These are natural characteristics of wood. Natural imperfections such as these that do not affect structural integrity are expressly excluded from Warrant.

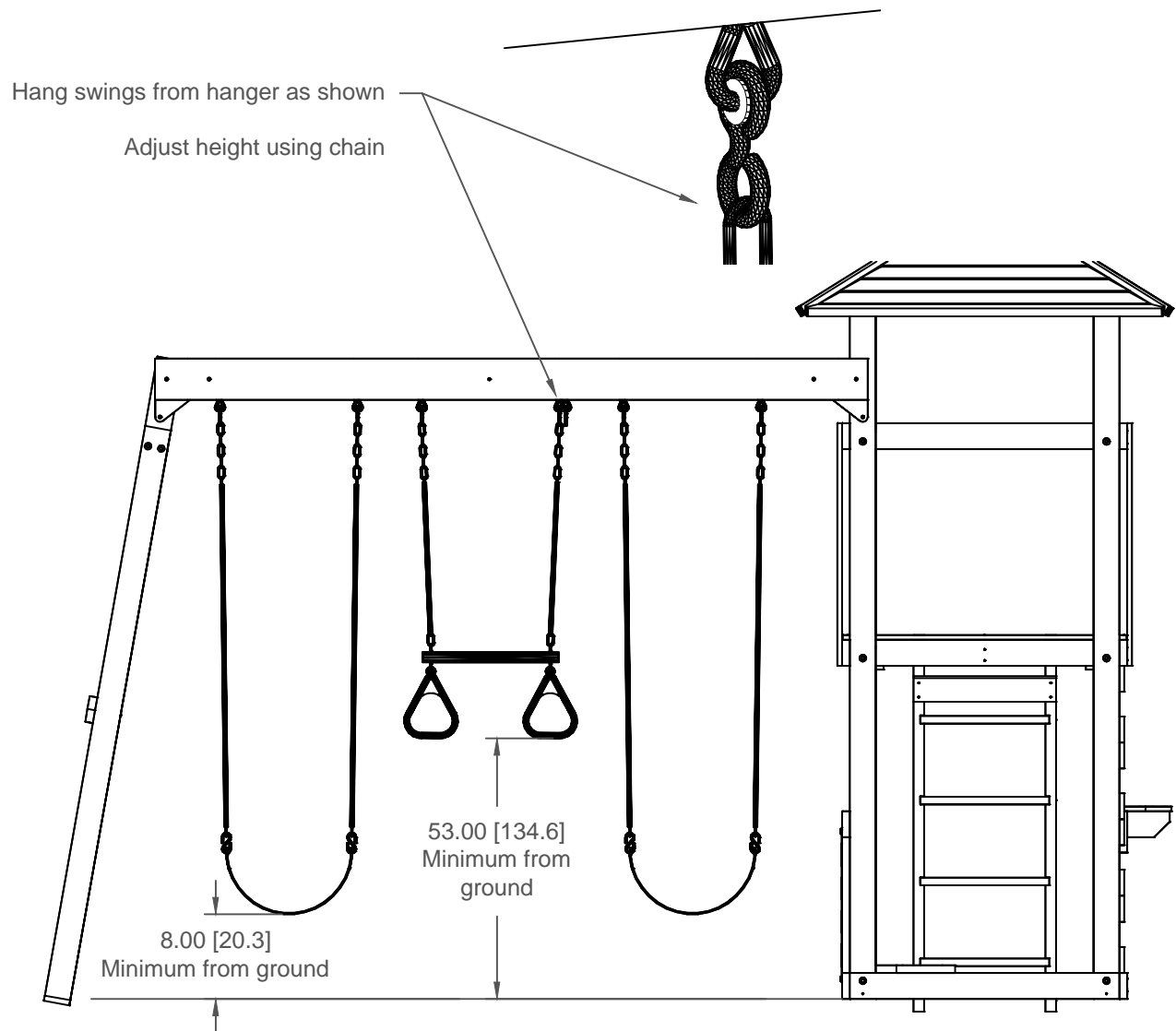
Two-Year Warranty

Swiss Walterli's (dba. PETIT SEAL) two-year Warranty includes: Chains; Brackets & Plates; Screws; Wave slide; Swing seats; Flexible Belt Swing; Double Glider; Climbing Rocks With Hardware; Telescopes; Hand Grip; Tarps; and Ground Anchors. Swiss Walterli. (dba. PETIT SEAL) reserves the right to examine photographs and/or physical components claimed to be defective, and to recover said components, freight prepaid by Customer, prior to disposition of warranty claims. The final decision regarding the component is subject to Swiss Walterli's (dba. PETIT SEAL) verification of the defect, which, at Swiss Walterli's (dba. Petit Seal) discretion, may be determined by submitting photographs by email of the defective part to welcome@petitseal.com

Customer shall have forty five (45) days to report missing or damaged parts from the date of delivery to Swiss Walterli's.(dba. PETIT SEAL).

Any warranty claim must include the proof of purchase, which must include the date of purchase.

SWINGS ATTACHED



1. Attach swings as shown to minimum heights shown.

Parts Required:

Swings X2
Trapeze X1

WARRANTY

This warranty applies to the original residential customer purchasing items from Swiss Walterli (dba. Petit Seal), a Newark Inc., (the "Customer"). Any other document containing warranties that are in addition to or inconsistent with the following warranty shall not be binding up Swiss Walterli. (dba. Petit Seal) without the express written acceptance by an authorized representative of Swiss Walterli. (dba. Petit Seal).

IMPORTANT: Customer shall have forty five (45) days to report missing or damaged parts from the date of delivery to Swiss Walterli.(dba. Petit Seal).

Any warranty claim must include the proof of purchase, which must include the date of purchase. This warranty is between Swiss Walterli's (dba. PETIT SEAL) and the Customer only. This warranty is non-transferable and does not extend to subsequent product owners.

This warranty is void if the product is used in a commercial, institutional, public, or multi-family setting.

Swiss Walterli.(dba. Petit Seal) Warranty

The safety of your child is paramount to us. In an effort to produce the best swing sets in the industry; Swiss Walterli. (dba.Petit Seal) always uses high quality building materials in its products.

Because we choose high quality materials, we're able to offer outstanding warranties on our swing sets. Each swing set comes with its own lifetime or two-year warranty depending on the components included in the specific set. Please see the list of covered components at the bottom of this warranty document to determine the applicable coverage for your specific swing set. This warranty document covers our current swing sets.

Swiss Walterli.(dba. Petit Seal) guarantees its products meet applicable standards only when used as directed under normal operation or service. Swiss Walterli.(dba. Petit Seal) warrants its products, to the Customer, to be free from defects in material and workmanship under normal and proper usage.

THE FOLLOWING ARE EXPRESSLY EXCLUDED FROM THE WARRANTY: components subject to normal wear and tear; unreasonable use or abuse; improper installation or maintenance; vandalism; alterations or modifications; acts of God and/or nature; cosmetic issues including rust, scratches and discoloration; or use of the product other than as intended or designed.

SWISS WALTERLI (DBA. PETIT SEAL) MAKES NO OTHER WARRANTY, EXPRESS OR IMPLIED, WITH REGARD TO THE DESIGN, SALE, MERCHANTABILITY OR FITNESS OF GOODS FOR A PARTICULAR PURPOSE OR USE EXCEPT AS EXPRESSLY SET FORTH HEREIN. SWISS WALTERLI. (DBA.PETIT SEAL) IS NOT SUBJECT TO ANY OTHER OBLIGATIONS OR LIABILITIES ARISING OUT OF BREACH OF CONTRACT OR WARRANTY, TORT CLAIMS INCLUDING NEGLIGENCE AND STRICT LIABILITY, OR ANY OTHER THEORIES OF LAW. SP

IMBA INC. IS UNDER NO EVENT LIABLE FOR ANY SPECIFIC, INDIRECT, INCIDENTAL, OR CONSEQUENTIAL LOSS, DAMAGES, EXPENSE, INJURY, DISMEMBERMENT, OR DEATH OF ANY KIND WHATSOEVER.

SWISS WALTERLI'S (DBA. PETIT SEAL) LIABILITY UNDER THIS WARRANTY IS LIMITED TO THE REPAIR OR REPLACEMENT OF A DEFECTIVE COMPONENT. IN NO EVENT SHALL SWISS WALTERLI'S (DBA. PETIT SEAL) LIABILITY EXCEED THE ACTUAL COST OF MATERIALS NECESSARY FOR REPAIR OR REPLACEMENT OF THE COMPONENT COVERED BY THE WARRANTY

Lifetime Warranty .

Swiss Walterli's (DBA. PETIT SEAL) 2021 Lifetime Warranty includes all wooden (wood from responsible mills & forests) components.

Excludes all, surface cracks, knotholes and knots in the wood components.

A note about wood: The wooden components in your Swiss Walterli's (dba. PETIT SEAL) swing set will have natural imperfections such as surface cracks, knots and knot holes. These are natural characteristics of wood. Natural imperfections such as these that do not affect structural integrity are expressly excluded from Warrant.

Two-Year Warranty

Swiss Walterli's (dba. PETIT SEAL) two-year Warranty includes: Chains; Brackets & Plates; Screws; Wave slide; Swing seats; Flexible Belt Swing; Double Glider; Climbing Rocks With Hardware; Telescopes; Hand Grip; Tarps; and Ground Anchors. Swiss Walterli. (dba. PETIT SEAL) reserves the right to examine photographs and/or physical components claimed to be defective, and to recover said components, freight prepaid by Customer, prior to disposition of warranty claims. The final decision regarding the component is subject to Swiss Walterli's (dba. PETIT SEAL) verification of the defect, which, at Swiss Walterli's (dba. Petit Seal) discretion, may be determined by submitting photographs by email of the defective part to welcome@petitseal.com

Customer shall have forty five (45) days to report missing or damaged parts from the date of delivery to Swiss Walterli's.(dba. PETIT SEAL).

Any warranty claim must include the proof of purchase, which must include the date of purchase.