

**603**

**- IMPORTANT NOTICE -**  
**RESIDENTIAL HOME USE ONLY.** Not intended for public areas  
such as schools, churches, nurseries, day cares or parks



**Parts missing or damaged?  
Need assistance with assembly?**

**Contact Us First!**

Please send your request to our central customer  
service email: [welcome@petitseal.com](mailto:welcome@petitseal.com)

One of our customer service agents will reply to  
you within 24 hours

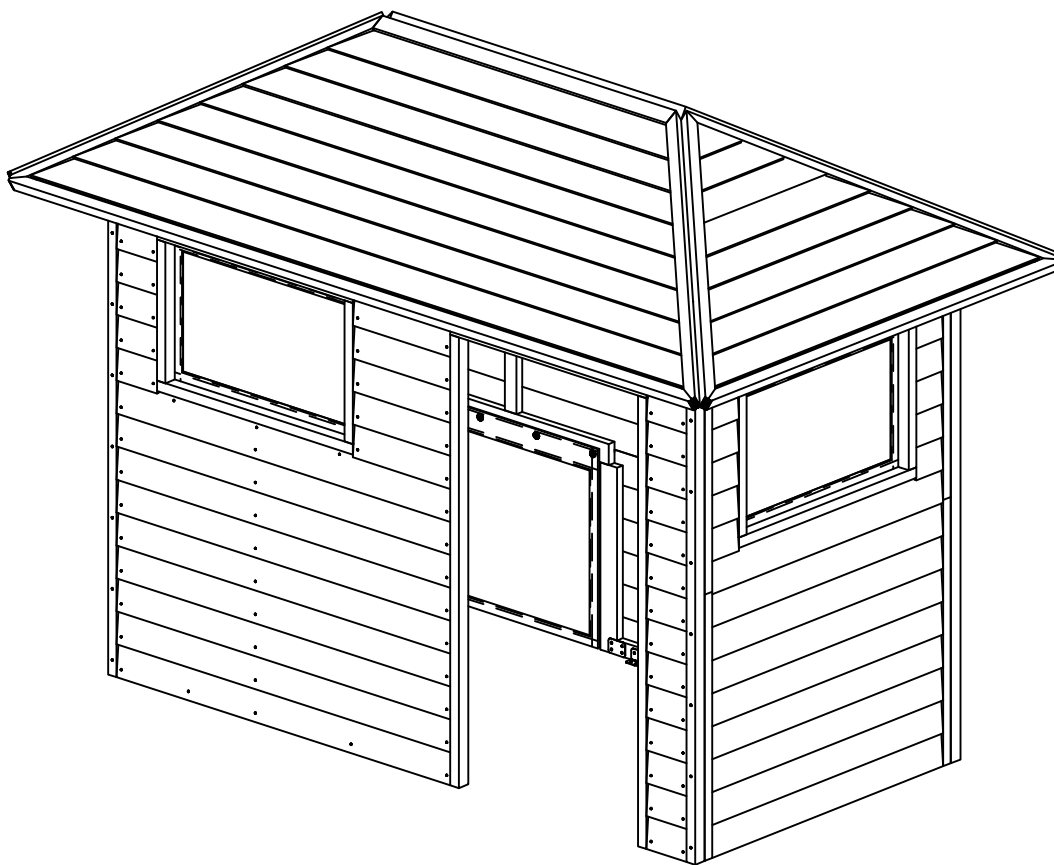


**603**  
REV: 3-13-2022

# Play House Grande

Assembly and Installation Instructions

**Intended for children from ages 3 to**



## Model: 2003

(BOX: 1004)  
Swiss Walterli Kft.  
Petit Seal  
Simonffy utca 4-6, fszt. 41.  
4025 Debrecen, Hungary

welcome@petitseal.com    www.petitseal.com



**WARNING: ASSEMBLY  
BY AN ADULT RETAIN  
THESE INSTRUCTIONS**

Do not use this playset until completely assembled and inspected by an adult.

**RESIDENTIAL HOME USE ONLY.** Not intended for public areas such as schools, churches, nurseries, day cares or parks

# Warnings and Safe Play Instructions



CONTINUOUS ADULT SUPERVISION REQUIRED. Most serious injuries and deaths on playground equipment have occurred while children were unsupervised! Our products are designed to meet mandatory and voluntary safety standards. Complying with all warnings and recommendations in these instructions will reduce the risk of serious or fatal injury to children using this play system. Go over the warnings and safe play instructions regularly with your children and make certain that they understand and follow them. Remember on-site adult supervision is required for children of all ages.

## Warning - Safe Play Instructions

### ● **SERIOUS HEAD INJURY HAZARD**

Installation over concrete, asphalt, dirt, grass, carpet and other hard surface creates a risk of serious injury or death from falls to the ground. Install and maintain shock absorbing material under and around play-set as recommended on the Playground Surfacing material page of these instructions.

### ● **COLLISION HAZARD**

Place play-set on level ground at least 6 feet - 1.8m from any obstruction such as a garage or house, fences, poles, trees, sidewalks, walls, landscape timbers, rocks, pavement, planters, garden borders, overhanging branches, laundry lines, and electrical wires. See **OBSTACLE FREE SAFETY ZONE**

### ● **CHOKING HAZARD/SHARP EDGES & POINTS**

Adult assembly required. This product contains small parts and parts with sharp edges and points. Keep parts away from children until fully assembled.

### ● **WARNING LABEL**

Owners shall be responsible for maintaining the legibility of the warning labels.

- Observe capacity limitations of your play-set.
- Dress children with well fitting and full foot enclosing footwear.
- Teach children to sit with their full weight in the center of the swing seat to prevent erratic swing motion or falling off.
- Check for splintered, broken or cracked wood; missing, loose, or sharp edged hardware. Replace, tighten and or sand smooth as required prior to playing.
- Verify that suspended climbing ropes, rope ladders, chain or cable are secured at both ends and cannot be looped back on itself as to create an entanglement hazard.
- On sunny and or hot days, check the slide and other plastic rides to assure that they are not very hot as to cause burns. Cool hot slide and rides with water and wipe dry prior to using.
- Orientate slide such that it gets the least amount of exposure to the sun.

### **Anchoring Playset**

This playset must be anchored to the ground. Anchors are sold separately. A minimum of four anchors is required - one anchor for each corner. Anchors should be installed at an angle to provide the best stability during use. Anchors should be installed at or below the level of the play surfacing to prevent tripping or injuries resulting from a fall. For sandy soil conditions, use an auger or twist style anchor.

### **STRANGULATION HAZARD**

- NEVER allow children to play with ropes, clotheslines, pet leashes, cables, chains or cord-like items when using this play-set or to attach these items to play-set.
- NEVER allow children to wear loose fitting clothing, ponchos, hoods, scarves, capes, necklaces, items with draw-strings, cords or ties when using this play-set.
- NEVER allow children to wear bike or sport helmets when using this play-set.

Failure to prohibit these items, even helmets with chin straps, increases the risk of serious injury and death to children from entanglement and strangulation.

### ● **TIP OVER HAZARD**

- Choose a level location for the equipment. This can reduce the likelihood of the play set tipping over and loose-fill surfacing materials washing away during heavy rains.
- DO NOT allow children to play on the play-set until the assembly is complete and the unit is properly anchored.
- Never add extra length to chain or rope. The chains or ropes provided are the maximum length designed for the swinging element(s).
- Do not allow children to wear open toe or heel footwear like sandals, flip-flops or clogs.
- Do not allow children to walk, in front, between, behind or close to moving rides.
- Do not let children twist swing chains or ropes or loop them over the top support bar. This may reduce the strength of the chain or rope and cause premature failure.
- Do not let children get off rides while they are in motion.
- Do not permit climbing on equipment when it is wet.
- Do not permit rough play or use of equipment in a manner for which it was not intended. Standing on or jumping from the roof, elevated platforms, swings, climbers, ladders or slide can be dangerous.
- Do not allow children to swing empty rides or seats.
- Do not allow children to go down slide head first or run up slide.

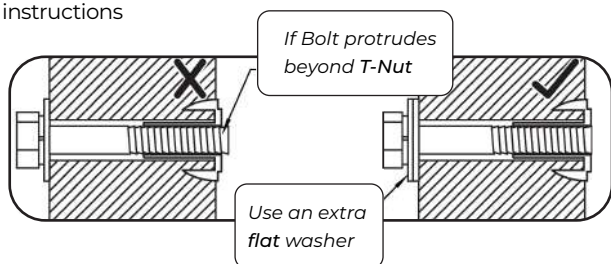
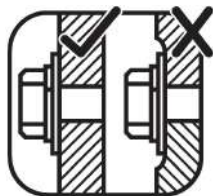
# Instructions for Proper Maintenance

Your Petit Seal Playset is designed and constructed of quality materials with your child's safety in mind. As with all outdoor products used by children, it will weather and wear. To maximize the enjoyment, safety and life of your Play Set, it is important that you, the owner, properly maintain it.

## Check the following at the beginning of the play season:

### HARDWARE:

- Check metal parts for rust. If found, sand and repaint using a non-lead paint complying with 16 CFR 1303.
- Inspect and tighten all hardware. On wood assemblies **DO NOT OVER TIGHTEN** as to cause crushing and splintering of wood.
- Check for sharp edges or protruding screw threads, add washers if required.
- Lubricate all metallic moving parts per manufacturer's instructions



### SHOCK ABSORBING SURFACING:

- Check for foreign objects. Rake and check depth of loose fill protective surfacing materials to prevent compaction and maintain appropriate depth. Replace as necessary.

### GROUND STAKES (ANCHORS):

- Check for looseness, damage or deterioration. Should firmly anchor unit to ground during use. Re-secure and or replace, if necessary.

### PROTECTIVE COVERINGS:

- Check all protective coverings on bolts, pipes, edges, and corners. Replace if they are loose, cracked, or missing.

### SWINGS, ROPES AND RIDES:

- Reinstall if removed during cold season. Check all moving parts including swing seats, ropes, chains and attachments for wear, rust and other deterioration. Replace as needed.
- Check that ropes are tight, secure at both ends and cannot loop back as to create an entrapment.

### WOOD PARTS:

- Check all wood members for deterioration, structural damage and splintering. Sand down splinters and replace deteriorated wood members. As with all wood, some checking and small cracks in grain is normal.
- Applying a water repellent or stain (water-based) on a yearly basis is important maintenance to maintain maximum life and performance of the product.

## Check twice a month during play season:

### HARDWARE:

- Inspect for tightness. Must be firmly against, but not crushing the wood. **DO NOT OVER-TIGHTEN**. This will cause splintering of wood.
- Check for sharp edges or protruding screw threads. Add washers if required.

### SHOCK ABSORBING SURFACING:

- Rake and check depth of loose fill protective surfacing materials to prevent compaction and maintain appropriate depth. Replace as necessary.

### PROTECTIVE COVERINGS:

- Check all protective coverings on bolts, pipes, edges, and corners. Replace if they are loose, cracked, or missing.

## Check once a month during play season:

### HARDWARE:

- Lubricate all metallic moving parts per manufacturer's instructions

### SWINGS AND RIDES:

- Check swing seats, all ropes, chains and attachments for fraying, wear, excessive corrosion or damage. Replace if structurally damaged or deteriorated.

## Check at the end of the play season:

### SWINGS AND RIDES:

- To prolong their life, remove swings and store inside when outside temperature is below 32°F / 0°C. Below freezing, plastic parts may become more brittle.

### SHOCK ABSORBING SURFACING:

- Rake and check depth of loose fill protective surfacing materials to prevent compaction and maintain appropriate depth. Replace as necessary.

**If you dispose of your play set:** Please disassemble and dispose of your unit so that it does not create any unreasonable hazards at the time it is discarded. Be sure to follow your local waste ordinances.

# Playground Surfacing Materials

## Section 4 of the consumer product safety commission's outdoor home playground safety handbook<sup>9</sup>

### Select Protective Surfacing

One of the most important things you can do to reduce the likelihood of serious head injuries is to install shock-protective surfacing under and around your play equipment. The protective surfacing should be applied to a depth that is suitable for the equipment height in accordance with ASTM Specification F 1292. There are different types of surfacing to choose from; whichever product you select, follow these guidelines:

**Note:** Do not install home playground equipment over concrete, asphalt, or any hard surface. A fall onto a hard surface can result in serious injury to the equipment user. Grass and dirt are not considered protective surfacing because wear and environment factors can reduce their shock absorbing effectiveness. Carpeting and thin mats are generally not adequate protective surfacing. Ground level equipment - such as a sandbox, activity wall, playhouse or other equipment that has no elevated play surface - does not need any protective surfacing.

### Loose-Fill Materials:

- Maintain a minimum depth of 9 inches [22,9 cm] of loose-fill materials such as wood mulch/chips, engineered wood fiber (EWF), or shredded/recycled rubber mulch for equipment up to 8 feet [2,4 m] high; and 9 inches [22,9 cm] of sand or pea gravel for equipment up to 5 feet high. NOTE: An initial fill level of 12 inches [30,5 cm] will compress to about a 9- inches [22,9 cm] depth of surfacing over time. The surfacing will also compact, displace, and settle, and should be periodically refilled to maintain at least a 9- inch [22,9 cm] depth.
- Use a minimum of 6 inches of protective surfacing for play equipment less than 4 feet in height. If maintained properly, this should be adequate. (At depths less than 6 inches [15,2 cm], the protective material is too easily displaced or compacted.)
- Use containment, such as digging out around the perimeter and/or lining the perimeter with landscape edging. Don't forget to account for water drainage.
- Check and maintain the depth of the loose-fill surfacing material. To maintain the right amount of loose-fill materials, mark the correct level on play equipment support posts. That way you can easily see when to replenish and/or redistribute the surfacing.
- Do not** install loose fill surfacing over hard surfaces such as concrete or asphalt.

### Poured-In-Place Surfaces or Pre-Manufactured Rubber Tiles:

You may be interested in using surfacing other than loose-fill materials - like rubber tiles or poured-in-places surfaces.

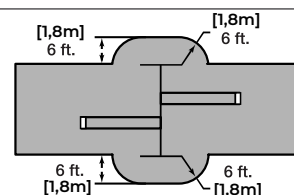
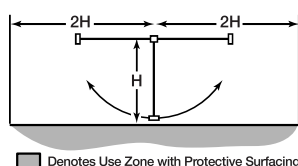
- Installations of these surfaces generally require a professional and are not "do-it-yourself" projects.
- Review surface specifications before purchasing this type of surfacing. Ask the installer/manufacturer for a report showing that the products has been tested to the following safety standard: ASTM F 1292 Standard Specification for Impact Attenuation of Surfacing Materials within the Use Zone of Playground Equipment. This report should show the specific height for which the surface is intended to protect against serious head injury. This height should be equal to or greater than the fall height - vertical distance between a designated play surface (elevated surface for standing, sitting, or climbing) and the protective surfacing below - of your play equipment.
- Check the protective surfacing frequently for wear.

### Placement

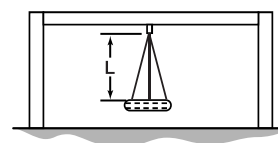
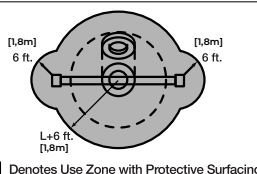
Proper placement and maintenance of protective surfacing is essential. Be sure to

- Extend surfacing at least 6 feet [1,8 m] from the equipment in all directions.
- For to-fro swings, extend protective surfacing in front of and behind the swing to a distance equal to twice the height of the top bar from which the swing is suspended.
- For tire swings, extend surfacing in a circle whose radius is equal to the height of the suspending chain or rope, plus 6 feet in all directions.

#### Use Zone for Single-Axis Swings



#### Use Zone for Multi-Axis Swings



<sup>9</sup>This information has been extracted from the CPSC publications "Playground Surfacing-Technical information Guide" and "Handbook for Public Playground Safety" Copies of these reports can be obtained by sending a postcard to the: Office of Public Affairs, U.S. Consumer Product Safety Commission, Washington, D.C., 20207 or call the toll-free hotline: 1-800-638-2772

# Assembly Information

## Tools Required

- Tape Measure
- Carpenters Level
- Carpenters Square
- Claw Hammer
- Standard or Cordless Drill
- Rubber Mallet

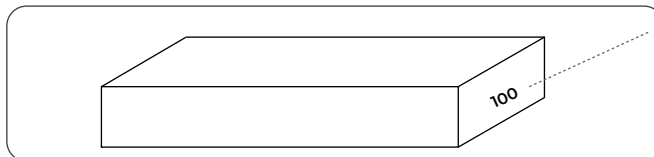
- #2 Robertson Drive Bit (Included)
- Ratchet with extension 7/16" (11mm) & 1/2" (13mm) sockets

- Open End Wrench 7/16" (11mm) & 1/2" (13mm)
- Adjustable Wrench
- Drill Bits (up to 3/8" (10mm) sizes.

- 8' (2.4m) Step Ladder
- Safety Glasses
- Adult Helpers
- Pencil

## Part Identification

On each page, you will find the parts and quantities required to complete the assembly step illustrated on that page.



## Part Identification

Each part has the Part Number printed on the end of the part for ease of identification.

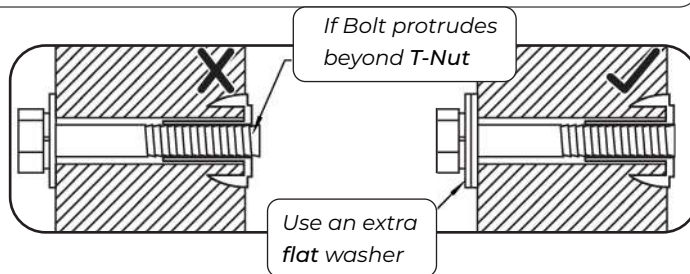
## Symbols

Throughout these instructions symbols are provided as important reminders for proper and safe assembly

<p>This identifies information that requires special attention. Improper assembly could lead to an unsafe or dangerous condition.</p>		<p>Check that set or assembly is properly level before proceeding.</p>		<p>Use Level</p>
<p>To avoid injury or damage to the assembly make sure to get help!</p>	<p>Use Help</p>	<p>This indicates time to tighten bolts, but not too tight! Do not crush the wood. This may create splinters and cause structural damage.</p>		<p>Tighten Bolts</p>
<p>Check that assembly is square before tightening bolts.</p>		<p>This indicates DO NOT over-drive wood screws to avoid screw protrusions.</p>		<p>Flush</p>
<p>Use a measuring tape to assure proper location.</p>		<p>Measure distance</p>		

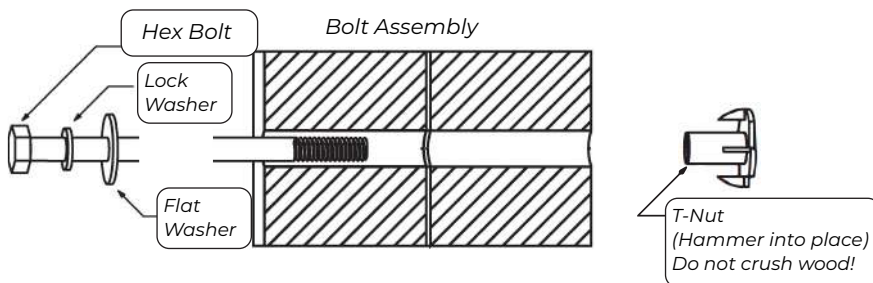
## CAUTION - Protrusion Hazard

Once the assembly is tightened, watch for exposed threads. If a thread protrudes from the T-Nut, remove the bolt and add washers to eliminate this condition. Extra washers have been provided for this purpose.



## Proper Hardware Assembly:

For bolts, tap T-Nut into hole with hammer. Insert the hex bolt through lock washer first then flat washer then hole. Because the assemblies need to be squared do not completely tighten until instructed.



# About our wood

Petit Seal Play Systems uses only premium playset lumber, ensuring the safest product for your children's use. Although we take great care in selecting the best quality lumber available, wood is still a product of nature and susceptible to weathering which can change the appearance of your set.

## What causes weathering? Does it affect the strength of my Play System?

One of the main reasons for weathering is the effects of water (moisture); the moisture content of the wood at the surface is different from the interior of the wood. As the climate changes, moisture moves in or out of the wood, causing tension which can result in checking and or warping. You can expect the following due to weathering. These changes will not affect the strength of the product:

1. **Checking** is surface cracks in the wood along the grain. A post 4" x 4" (101mm x 101mm) will experience more checking than a board 1" x 4" (25mm x 101mm) because the surface and the interior moisture content will vary more widely than in thinner wood.
2. **Warping** results from any distortion (twisting, cupping) from the original plane of the board and often happens from rapid wetting and drying of the wood.
3. **Fading** happens as a natural change in the wood color as it is exposed to sun-light and will turn a grey over time.

## How can I reduce the amount of weathering to my Play System?

At the factory we have coated the wood with a water repellent or stain. This coating decreases the amount of water absorption during rain or snow thus decreasing the tension in the wood. Sunlight will break down the coating, so we recommend applying a water repellent or stain on a yearly basis (see your local stain and paint supplier for a recommended product)

Most weathering is just the normal result of nature and will not affect safe play and enjoyment for your child. However if you are concerned that a part has experienced a severe weathering problem please call our consumer relations department for further assistance.

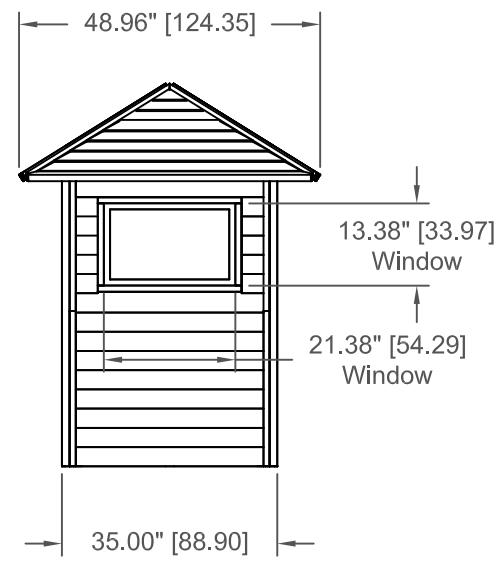
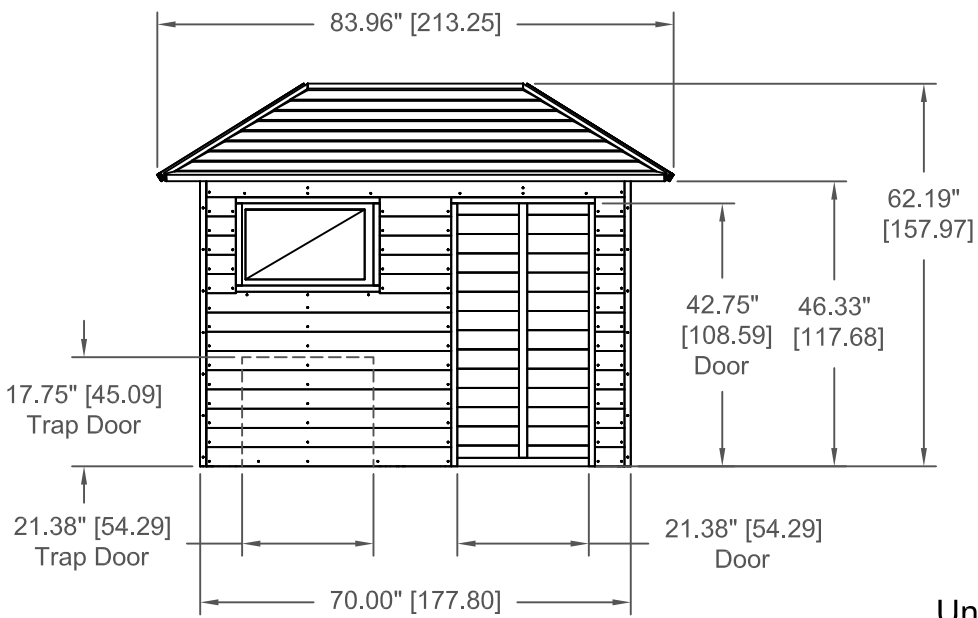
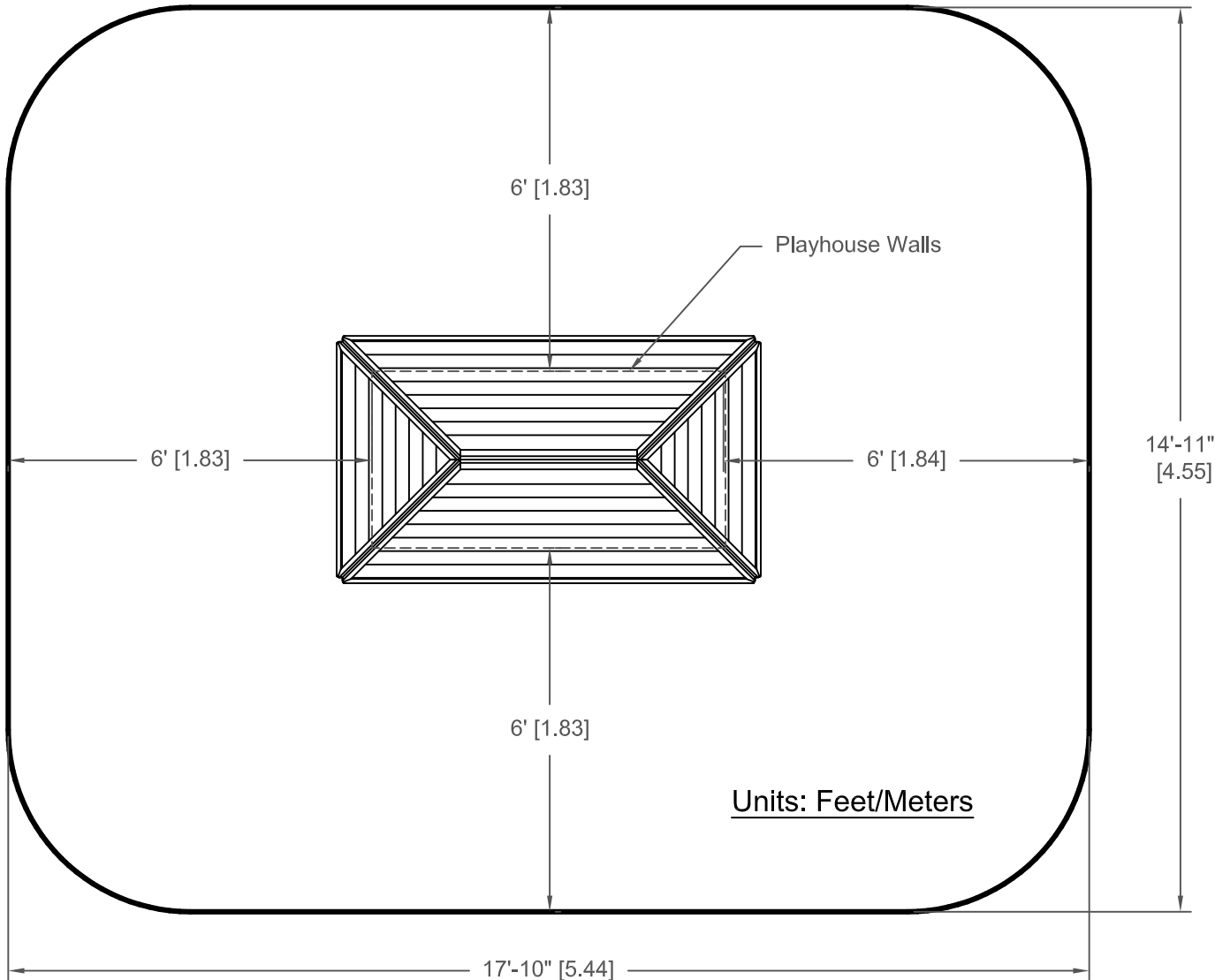
This space intentionally left blank

# OCCUPANTS / WEIGHT LIMITS / TOTAL WEIGHT / FALL HEIGHT

	Total Number of Occupants	Weight Limit per User	Total Weight Limit	Notes	Fall Height
Play Deck XXL	8	110 lbs. / 49.9 kg.	880 lbs. / 399.7 kg.	Total weight does not include occupants in the sandbox or table/bench areas.	47.25" [120 cm]
3-Position Swing	3	110 lbs. / 49.9 kg.	330 lbs. / 149.7 kg.	Total weight is for (3) single occupancy swings	77.00" [195.6cm]
3-Position Swing	4	110 lbs. / 49.9 kg.	440 lbs. / 199.6 kg.	Total weight is for (2) single occupancy swings and (1) double occupancy glider.	77.00" [195.6cm]
Monkey Bars	1	110 lbs. / 49.9 kg.	110 lbs. / 49.9 kg.		74.75" [189.9 cm]
Ramp	2	110 lbs. / 49.9 kg.	220 lbs. / 99.8 kg.		47.25" [120 cm]
Bridge	3	110 lbs. / 49.9 kg.	330 lbs. / 149.7 kg.		47.25" [120 cm]
Small Playhouse	N/A	N/A	N/A		N/A
Large Playhouse	N/A	N/A	N/A		N/A
Belt Swing	1	110 lbs. / 49.9 kg.	110 lbs. / 49.9 kg.		N/A
Deluxe Glider 2-Person	2	110 lbs. / 49.9 kg.	220 lbs. / 99.8 kg.		N/A
Trapeze	1	110 lbs. / 49.9 kg.	110 lbs. / 49.9 kg.		N/A
Infant Swing	1	55 lbs. / 24.9 kg.	55 lbs. / 24.9 kg.		N/A
Slide	1	110 lbs. / 49.9 kg.	110 lbs. / 49.9 kg.		N/A
32" [ 81.3] Bench	2	110 lbs. / 49.9 kg.	220 lbs. / 99.8 kg.		N/A

Spimbey recommends that the weight limits for all components must not be exceeded. Failure to adhere to these and other safety guidelines could result in damage to the playset and/or serious injury.



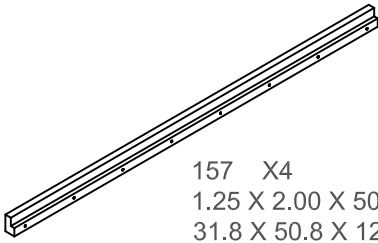


Units: Inches/Centimeters

# Play House Grande Safety Use Zone & Specifications

The minimum Safety Use Zone extends no less than 6' [1.83] from all sides of the play structure.

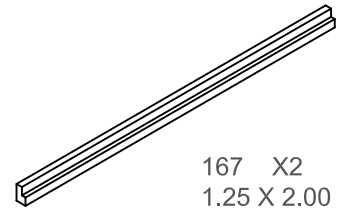
# WOOD IDENTIFICATION



157 X4  
1.25 X 2.00 X 50.25  
31.8 X 50.8 X 1276.4



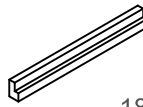
161 X25  
.50 X 3.38 X 4.81  
12.7 X 85.7 X 122.2



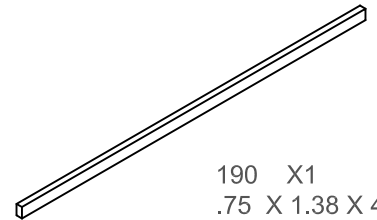
167 X2  
1.25 X 2.00 X 42.75  
31.8 X 50.8 X 1085.9



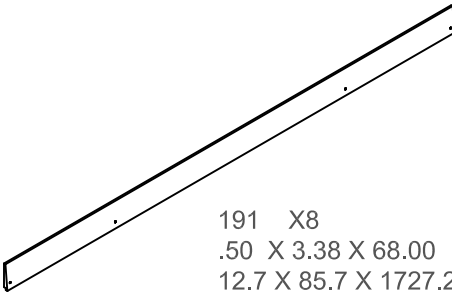
183 X4  
1.25 X 2.00 X 23.38  
31.8 X 50.8 X 593.7



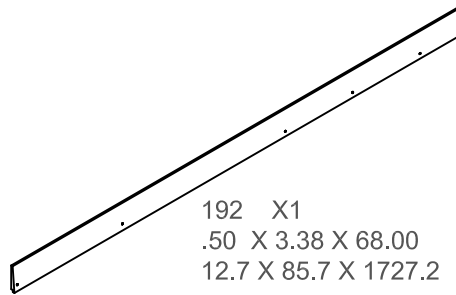
185 X2  
1.25 X 2.00 X 17.75  
31.8 X 50.8 X 450.9



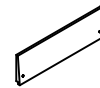
190 X1  
.75 X 1.38 X 47.50  
19.1 X 34.9 X 1206.5



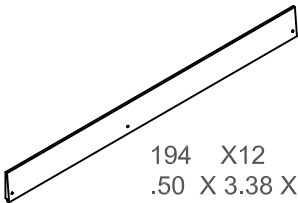
191 X8  
.50 X 3.38 X 68.00  
12.7 X 85.7 X 1727.2



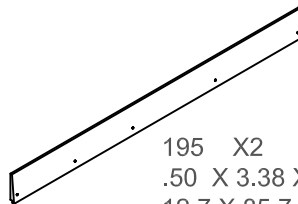
192 X1  
.50 X 3.38 X 68.00  
12.7 X 85.7 X 1727.2



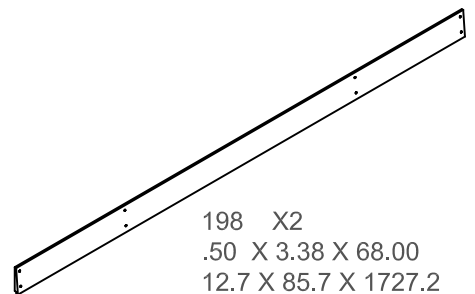
193 X5  
.50 X 3.38 X 11.63  
12.7 X 85.7 X 295.3



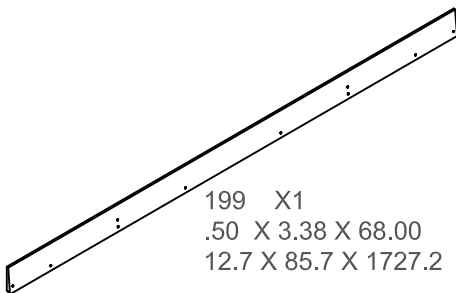
194 X12  
.50 X 3.38 X 39.81  
12.7 X 85.7 X 1011.2



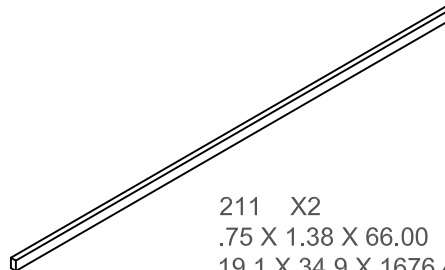
195 X2  
.50 X 3.38 X 39.81  
12.7 X 85.7 X 1011.2



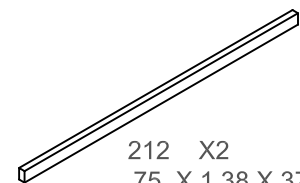
198 X2  
.50 X 3.38 X 68.00  
12.7 X 85.7 X 1727.2



199 X1  
.50 X 3.38 X 68.00  
12.7 X 85.7 X 1727.2

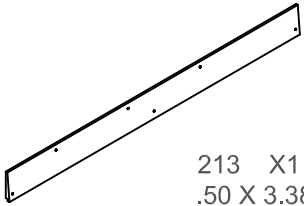


211 X2  
.75 X 1.38 X 66.00  
19.1 X 34.9 X 1676.4

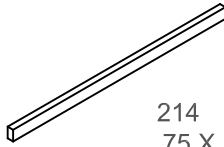


212 X2  
.75 X 1.38 X 37.81  
19.1 X 34.9 X 960.5

# WOOD IDENTIFICATION



213 X1  
.50 X 3.38 X 39.81  
12.7 X 85.7 X 1011.3



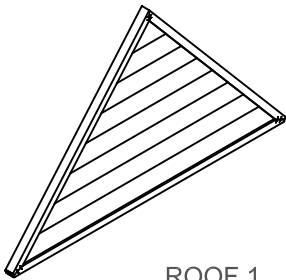
214 X1  
.75 X 1.38 X 29.13  
19.1 X 34.9 X 739.8



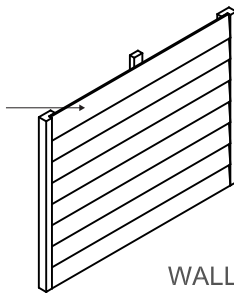
215 X1  
.75 X 1.38 X 26.00  
19.1 X 34.9 X 660.4



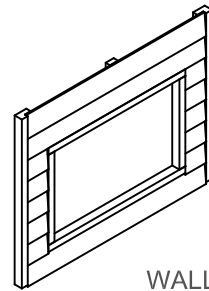
216 X2  
.75 X 1.38 X 4.13  
19.1 X 34.9 X 104.8



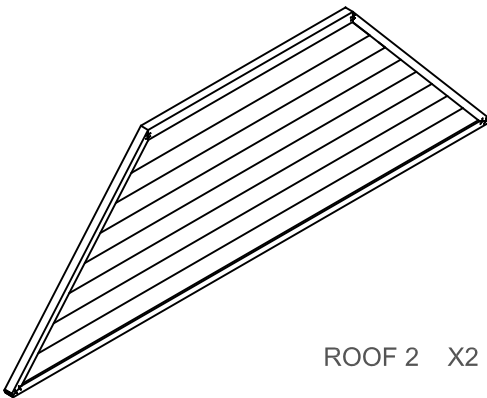
ROOF 1 X2



WALL 2 X2



WALL 3 X2



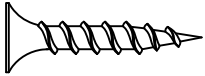
ROOF 2 X2

# HARDWARE LISTING

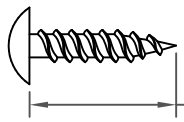
(Fasteners are shown in full size)



X35 - #8 x 2.25" Wood Screw (426)



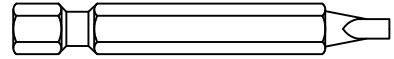
X190 - #8 x 1.00" Wood Screw (498)



0.750 [19.0]  
X125 - #8 X .75" Truss Screw (430)



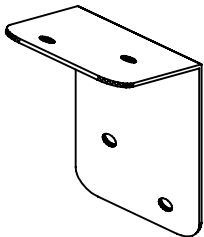
0.709 [18.0]  
X26 - #8 X .71" Truss Screw (487)



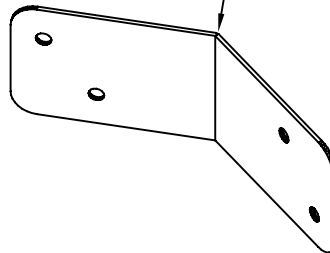
X1 - #2 Drive Bit (406)



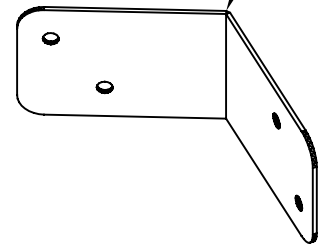
X36 - #8 Flat Washer (499)



X6 - Panel Riser Bracket (303)

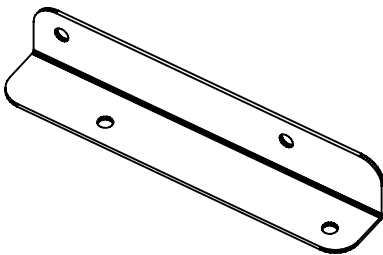


X8 - Panel Seam Bracket (304)

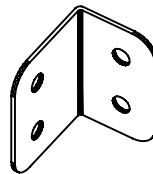


X3 - Panel Seam Bracket (308)

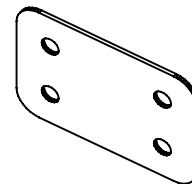
NOTE: BEND ANGLE DIFFERENCE  
BETWEEN PLATES



X4 - Wall Seam Bracket (307)



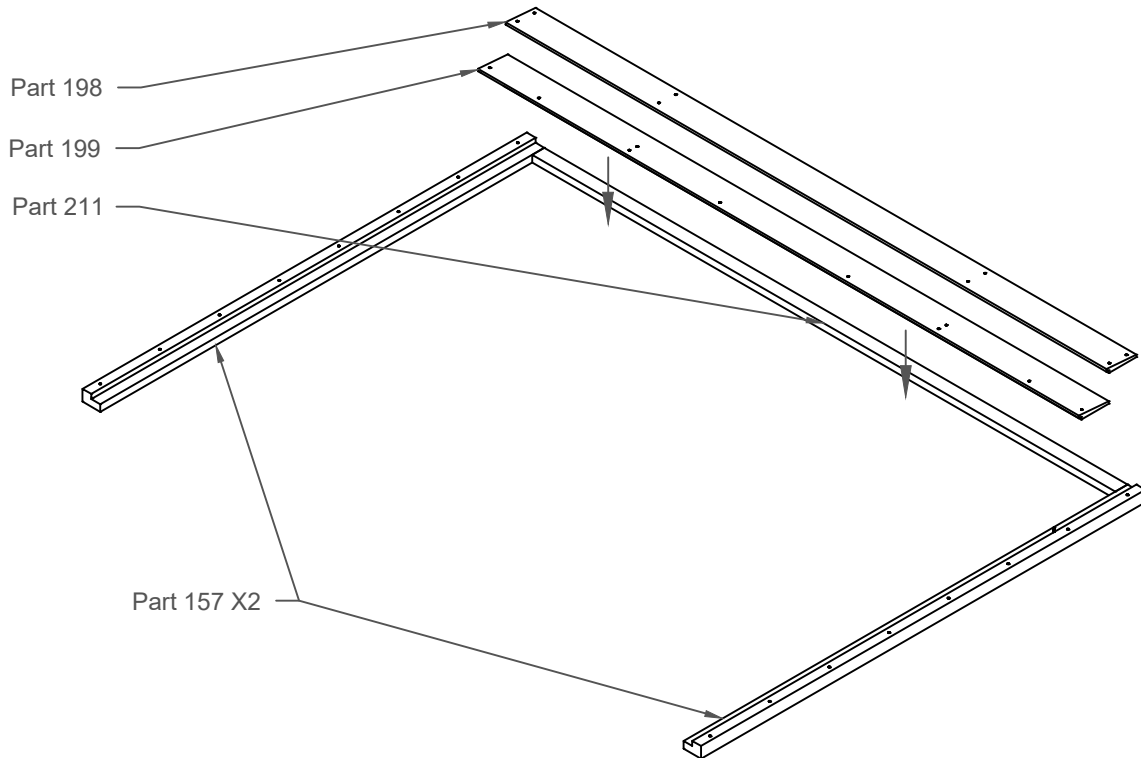
X6 - Deck Bracket (306)



X8 - Wall Plate (305)

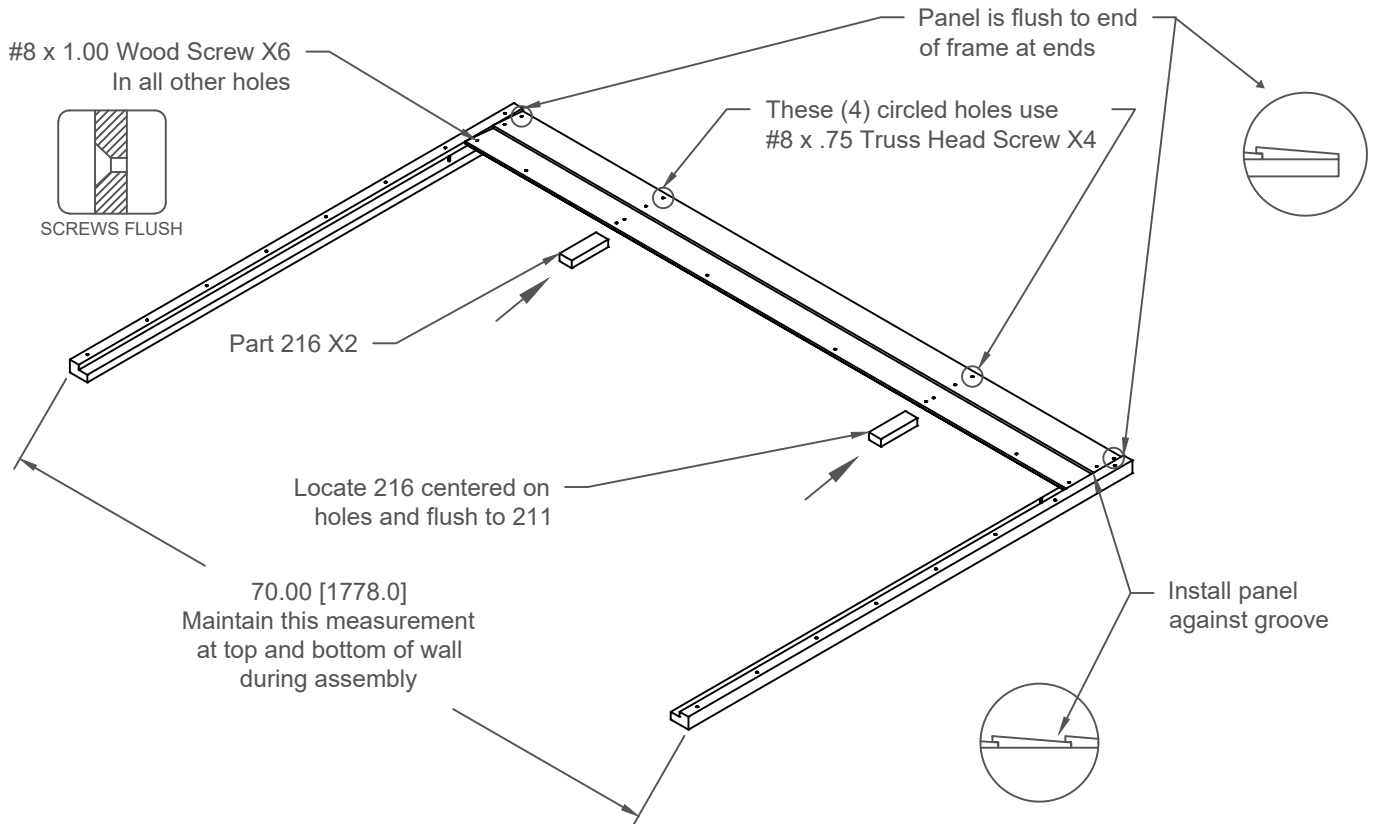
# 1

## WALLS



# 2

## WALLS



1. Layout parts and orient as shown.
2. Attach panels in the orders shown.

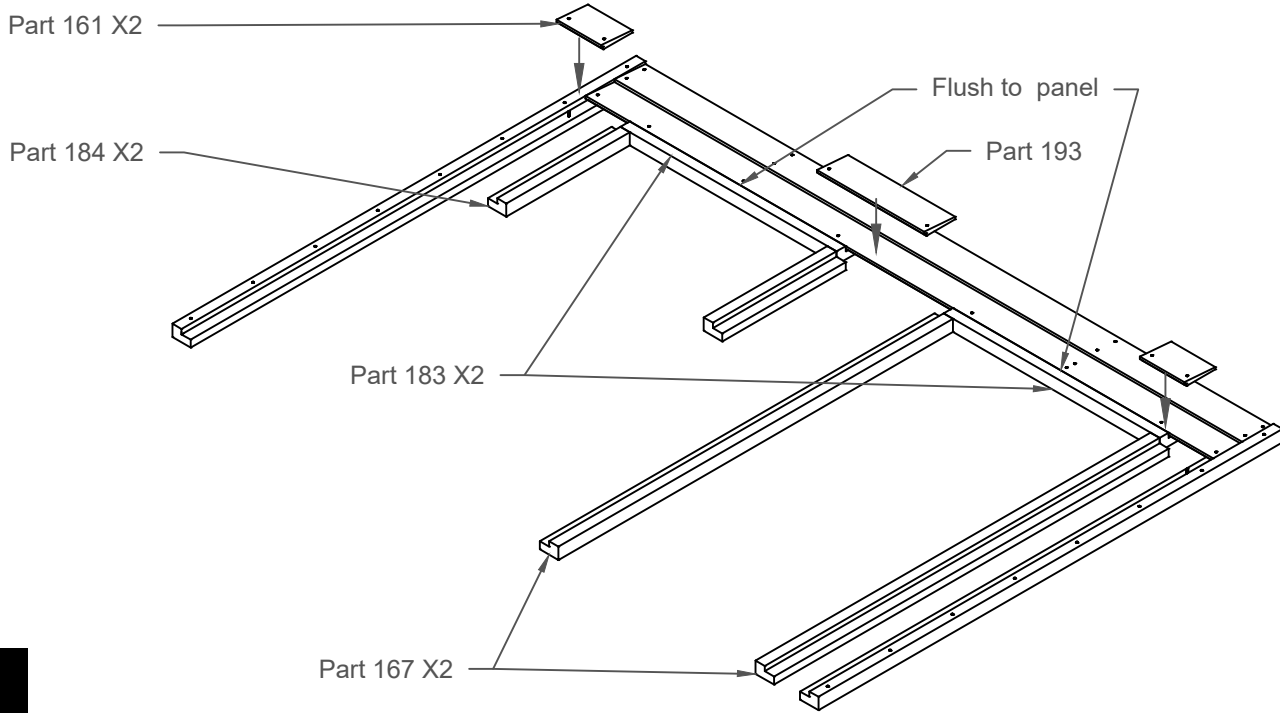
### Parts Required:

157 X2	211 X1
198 X1	216 X2
199 X1	

# 3

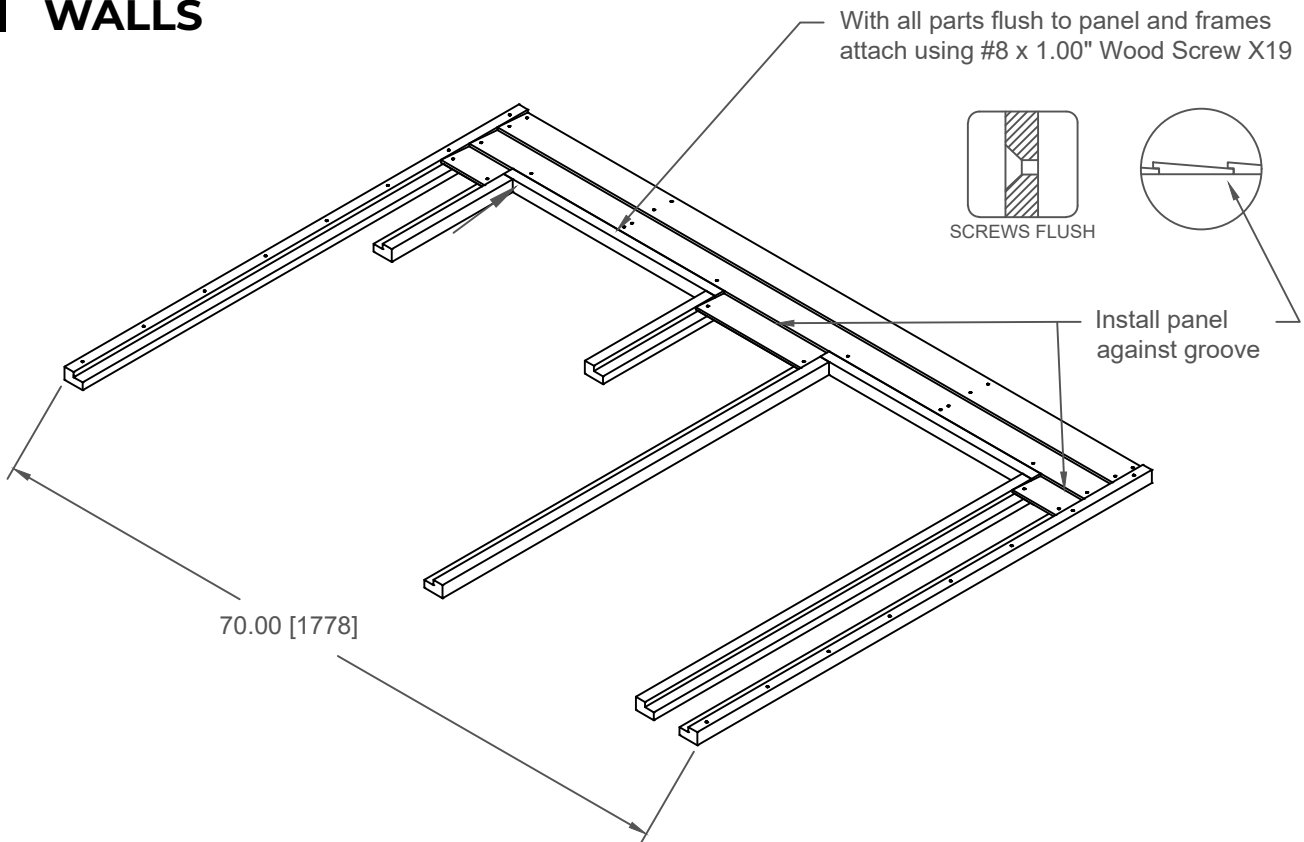
## WALLS

STEP 1 - Layout all parts as shown



# 4

## WALLS



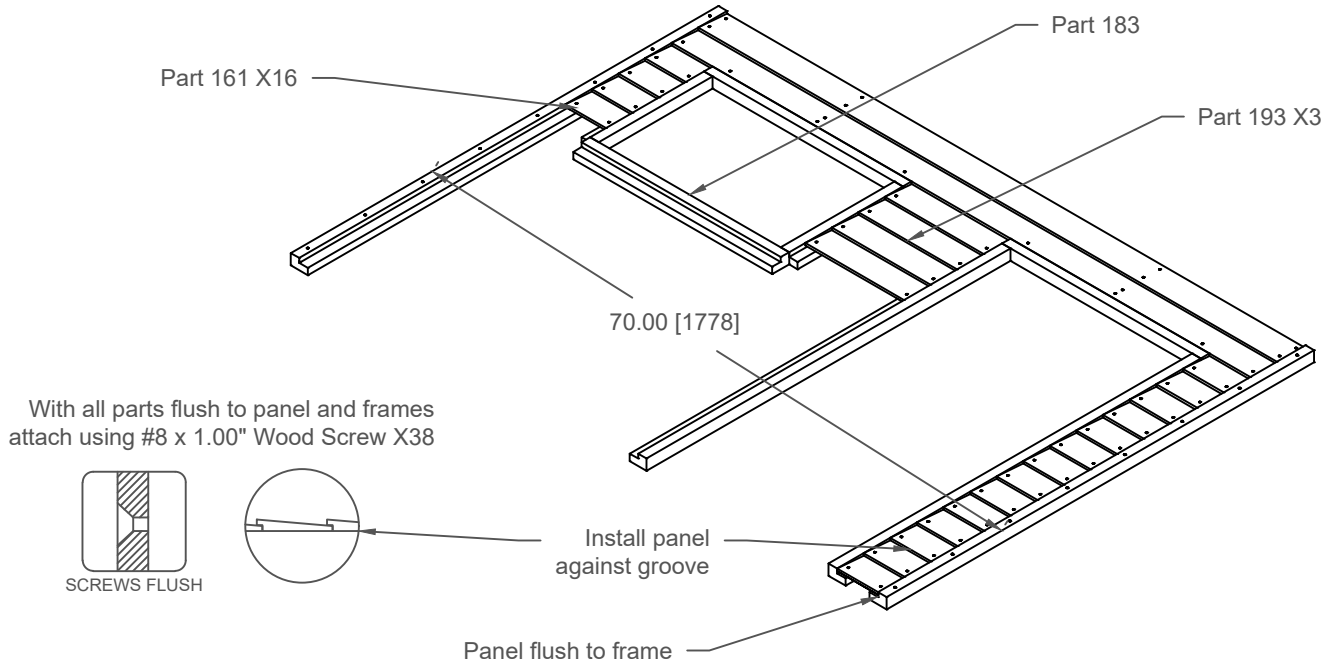
1. Locate panels on frames.
2. Attach panels as shown.

### Parts Required:

161 X2	183 X2
167 X2	184 X2
193 X1	

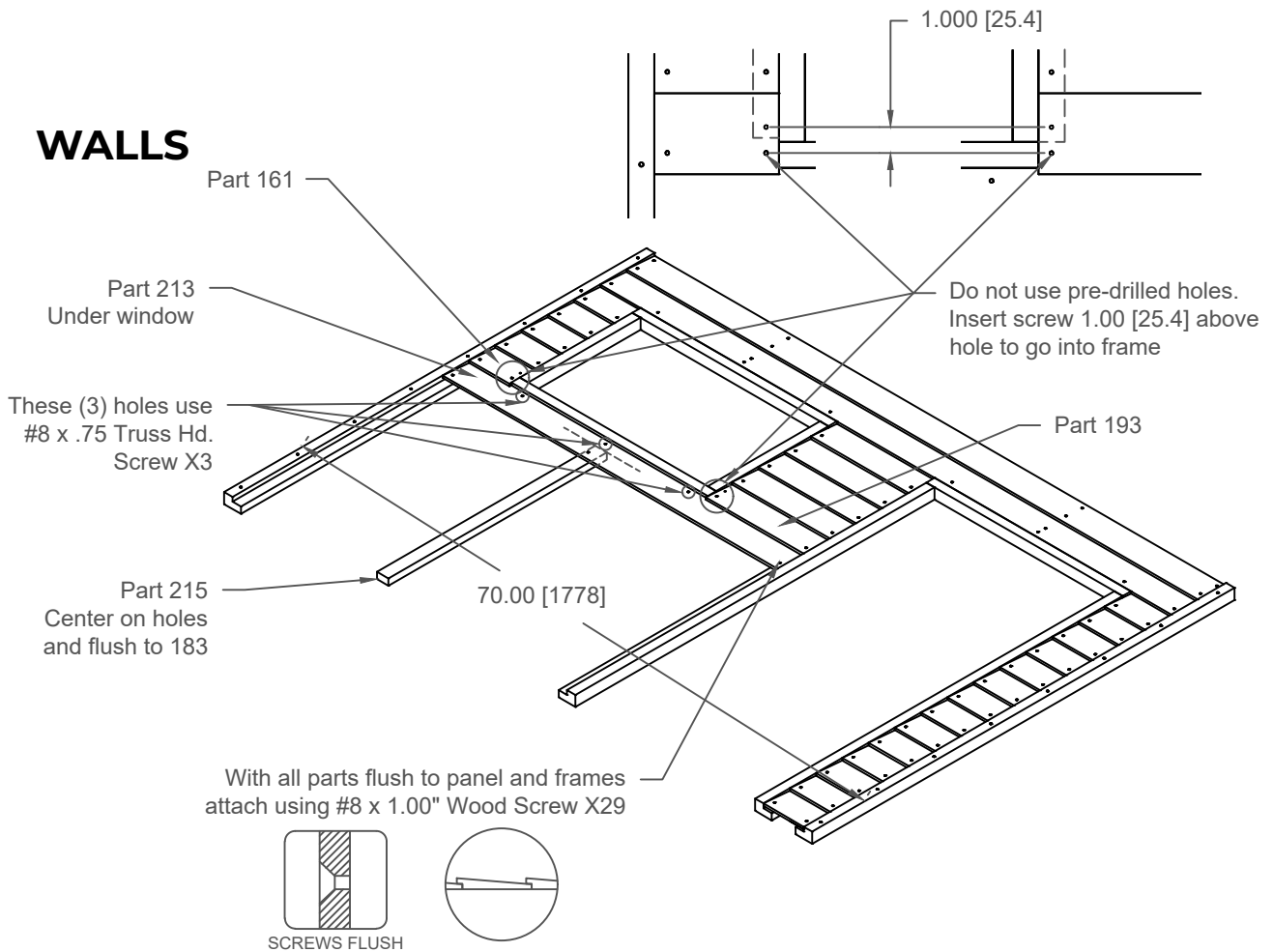
# 5

## WALLS



# 6

## WALLS

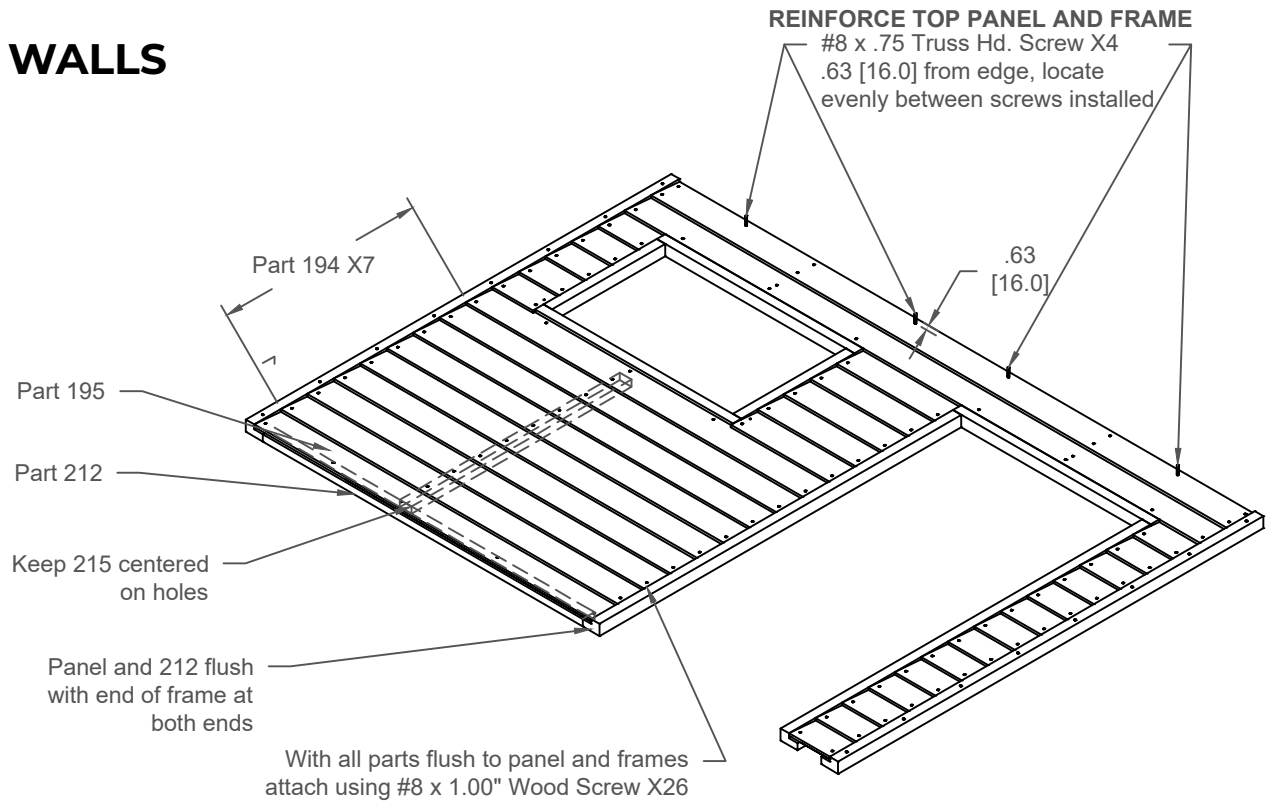


1. Locate panels on frames.
2. Attach panels as shown.

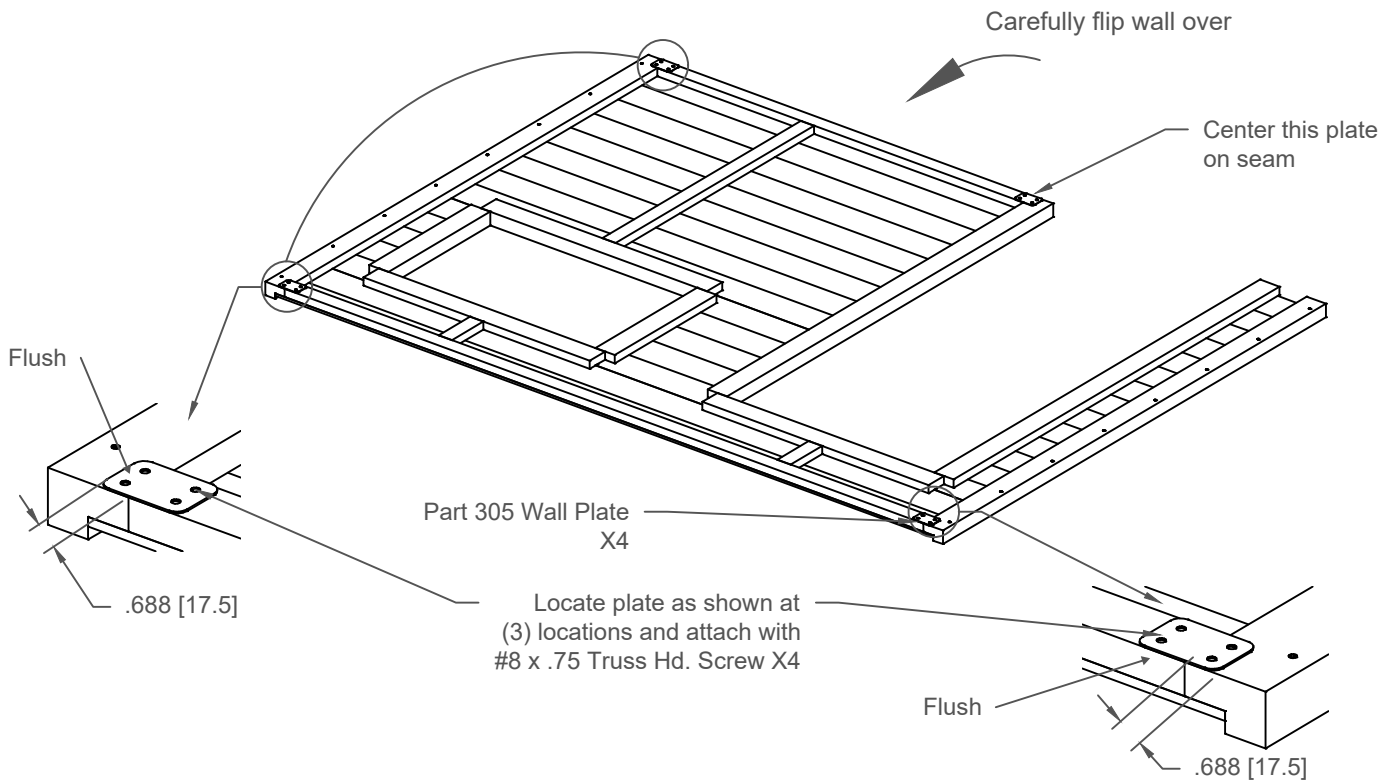
### Parts Required:

161 X17	213 X1
183 X1	215 X1
193 X4	

## WALLS



## WALLS



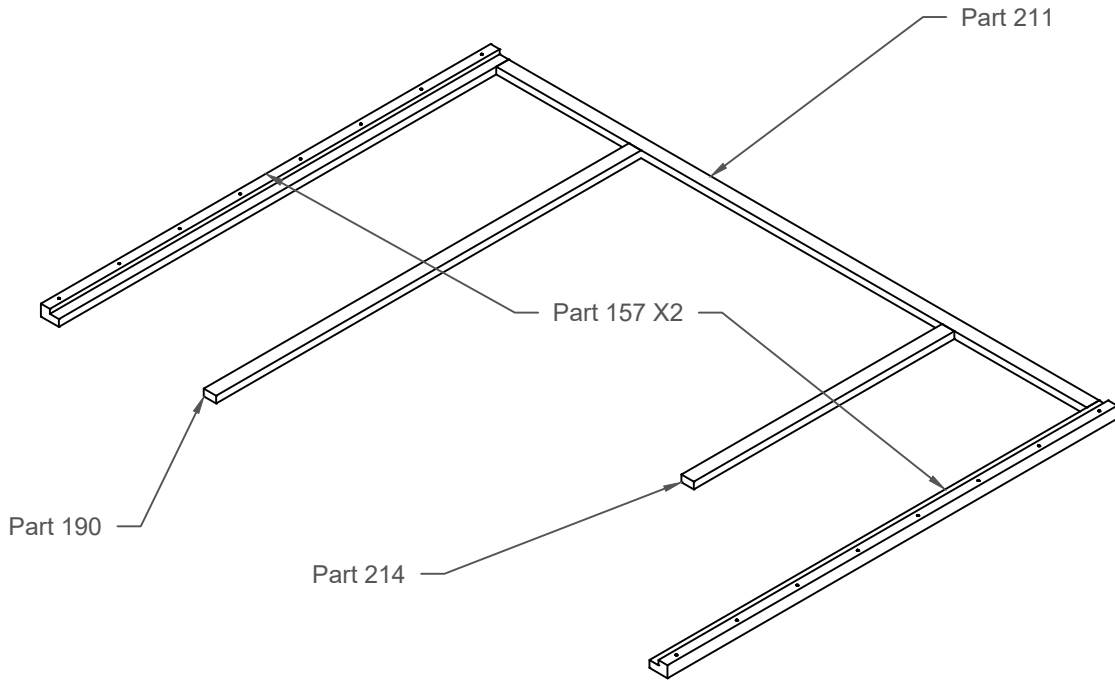
1. Locate all panels onto frame before attaching.
2. Attach panels as shown.
3. Carefully flip wall over.

**Parts Required:**

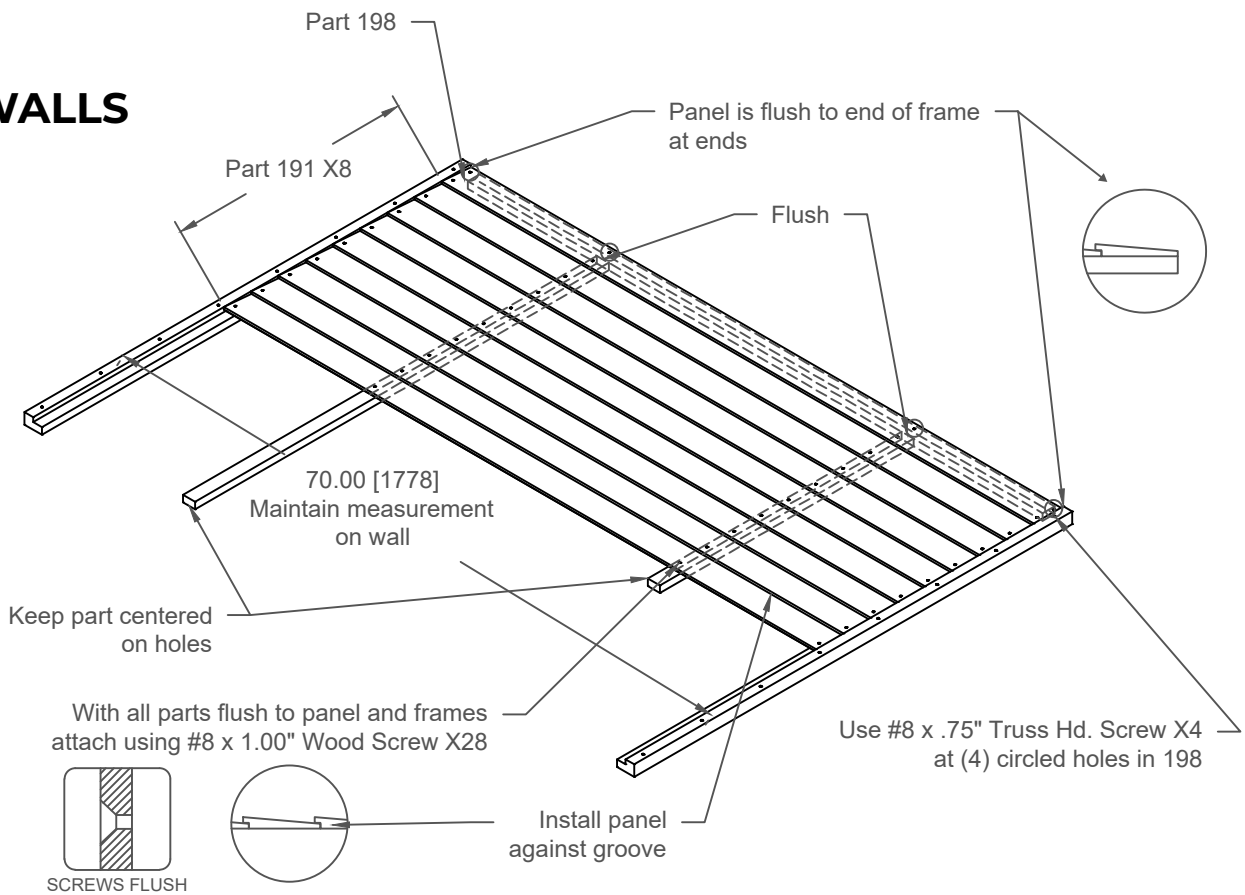
194 X7 305 Plate X4  
195 X1  
212 X1



## WALLS



## WALLS

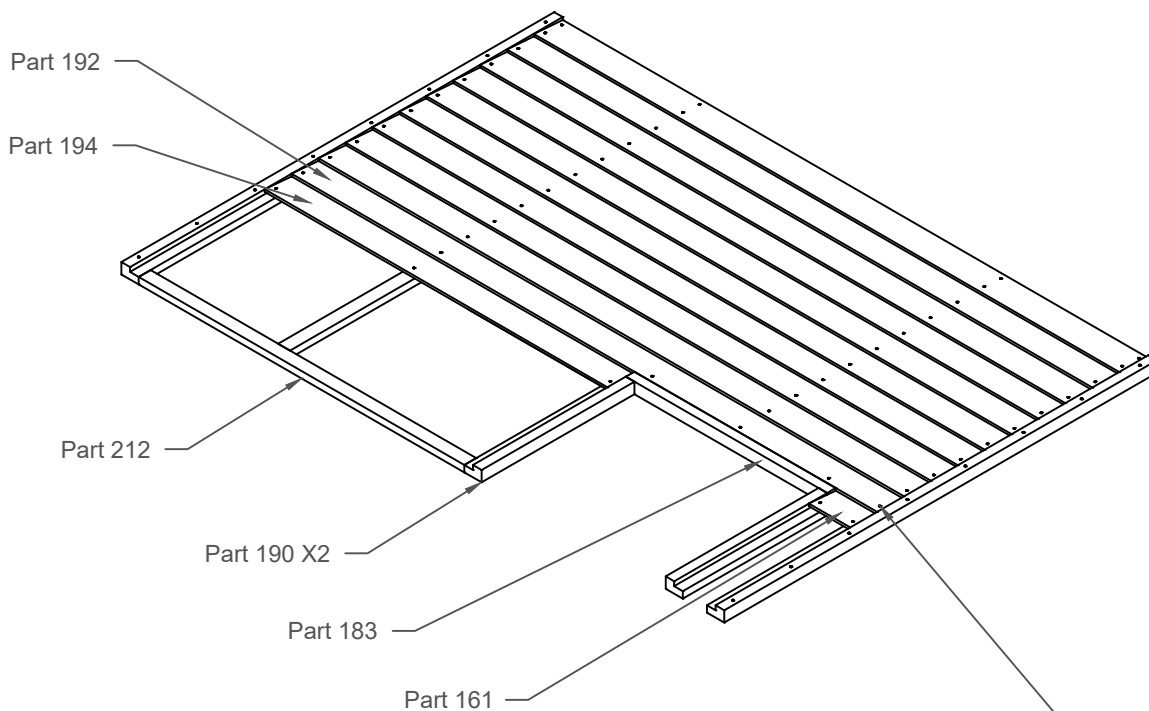


1. Layout parts and orient as shown.
2. Attach panels as shown

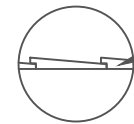
### Parts Required:

157 X2	198 X1
190 X1	211 X1
191 X8	214 X1

## WALLS

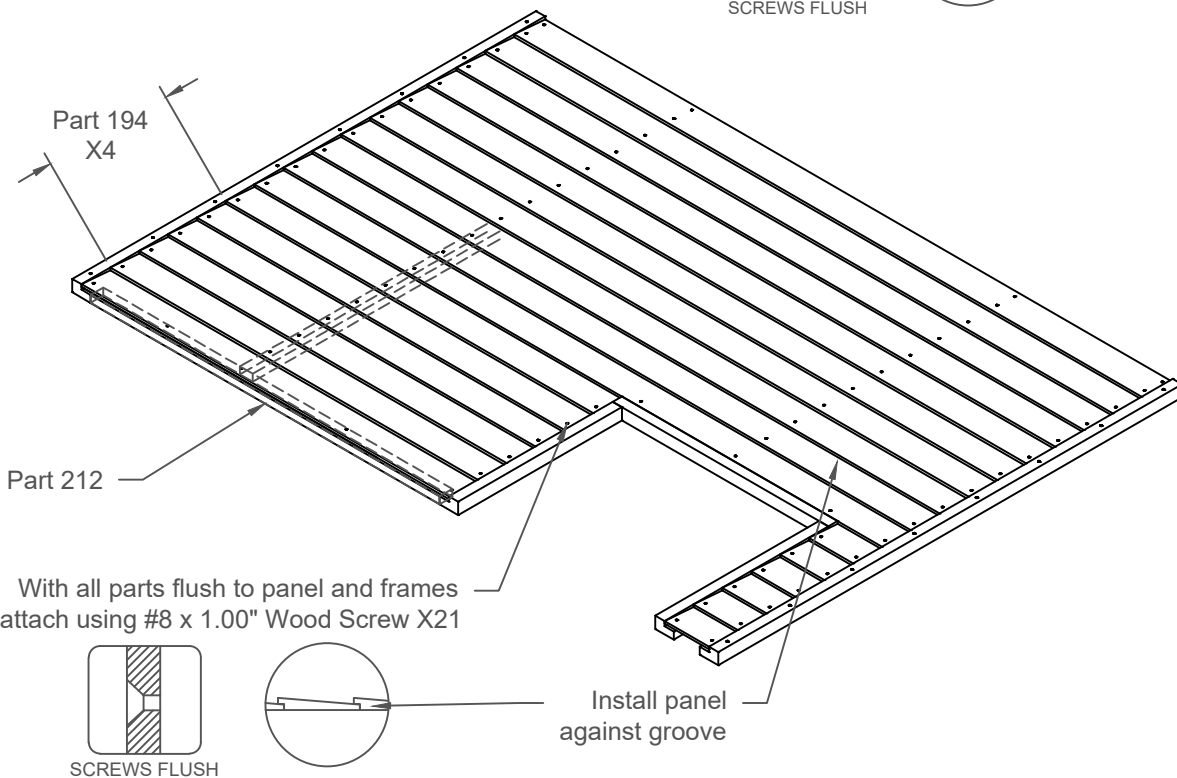


With all parts flush to panel and frames attach using #8 x 1.00" Wood Screw X28

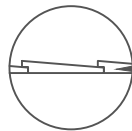


Install panel against groove

## WALLS



With all parts flush to panel and frames attach using #8 x 1.00" Wood Screw X21



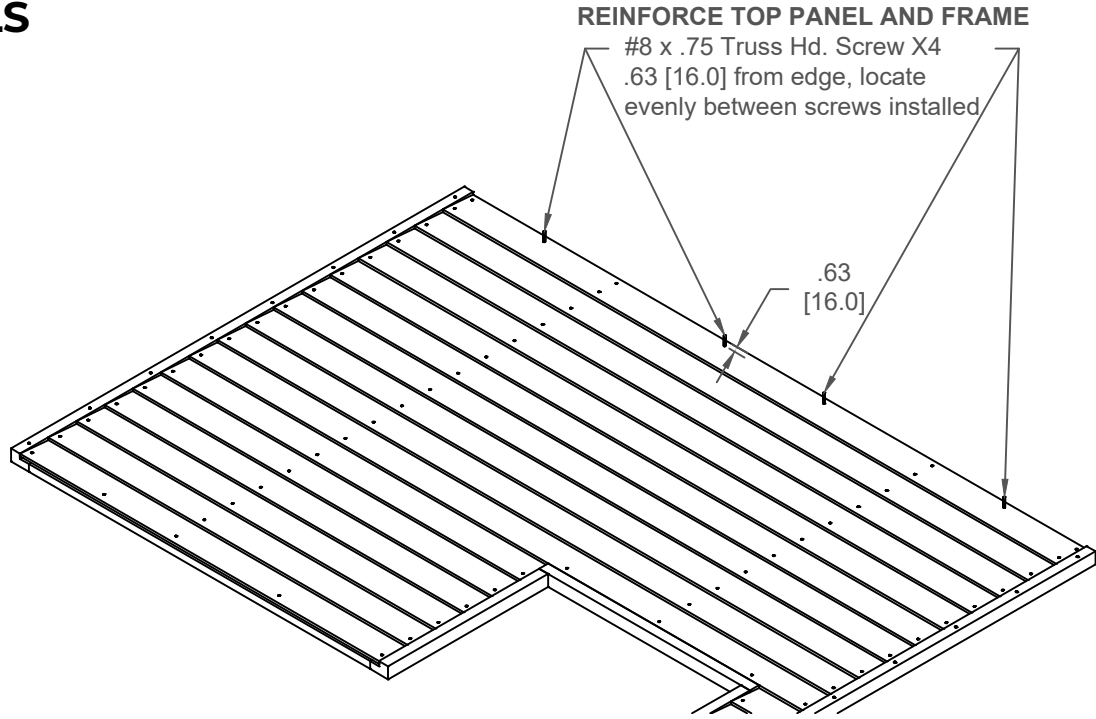
Install panel against groove

1. Layout parts as shown.
2. Attach panels in the order shown.

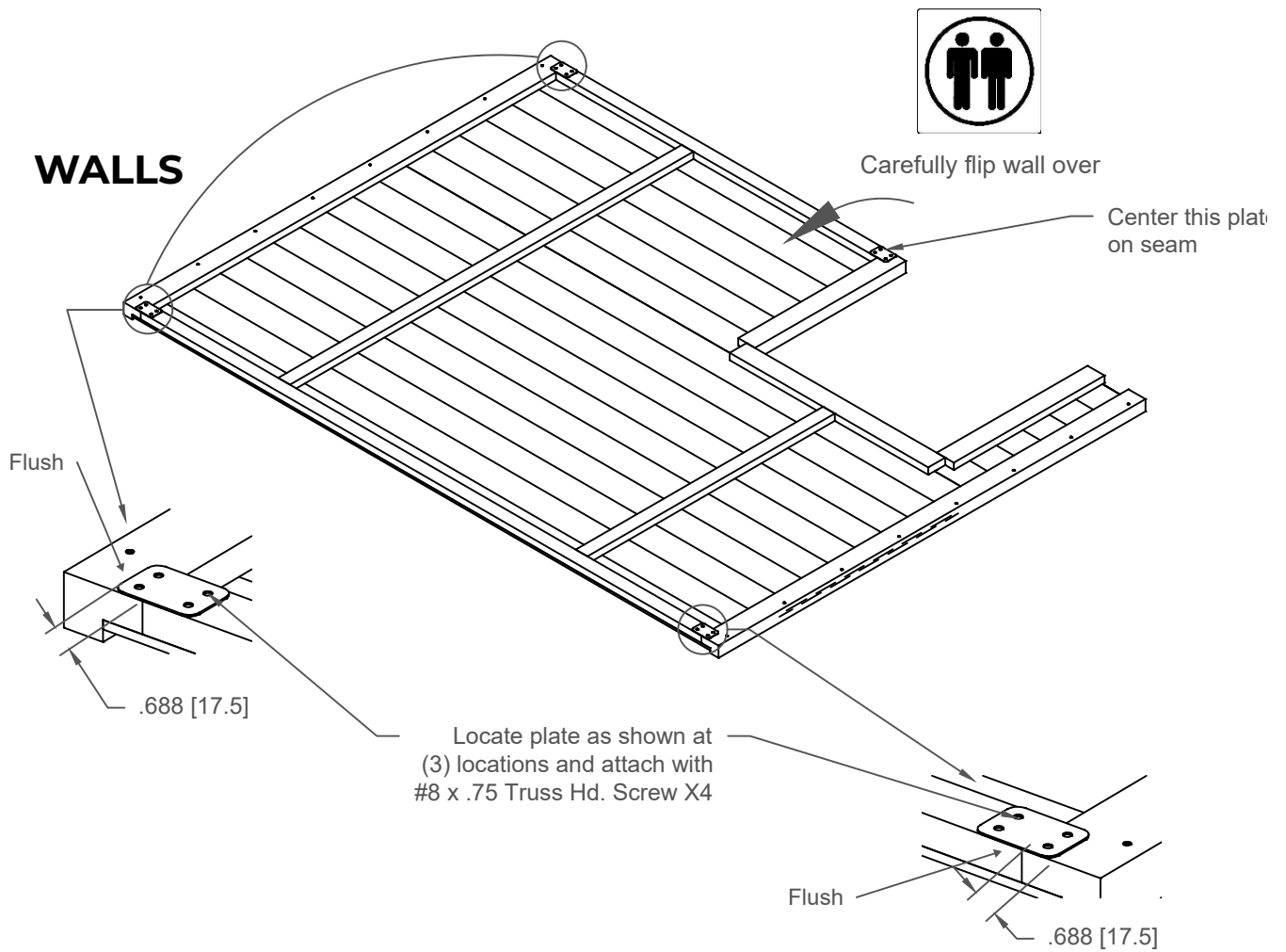
### Parts Required:

161 X6	192 X1
183 X1	194 X5
190 X2	212 X1

## WALLS

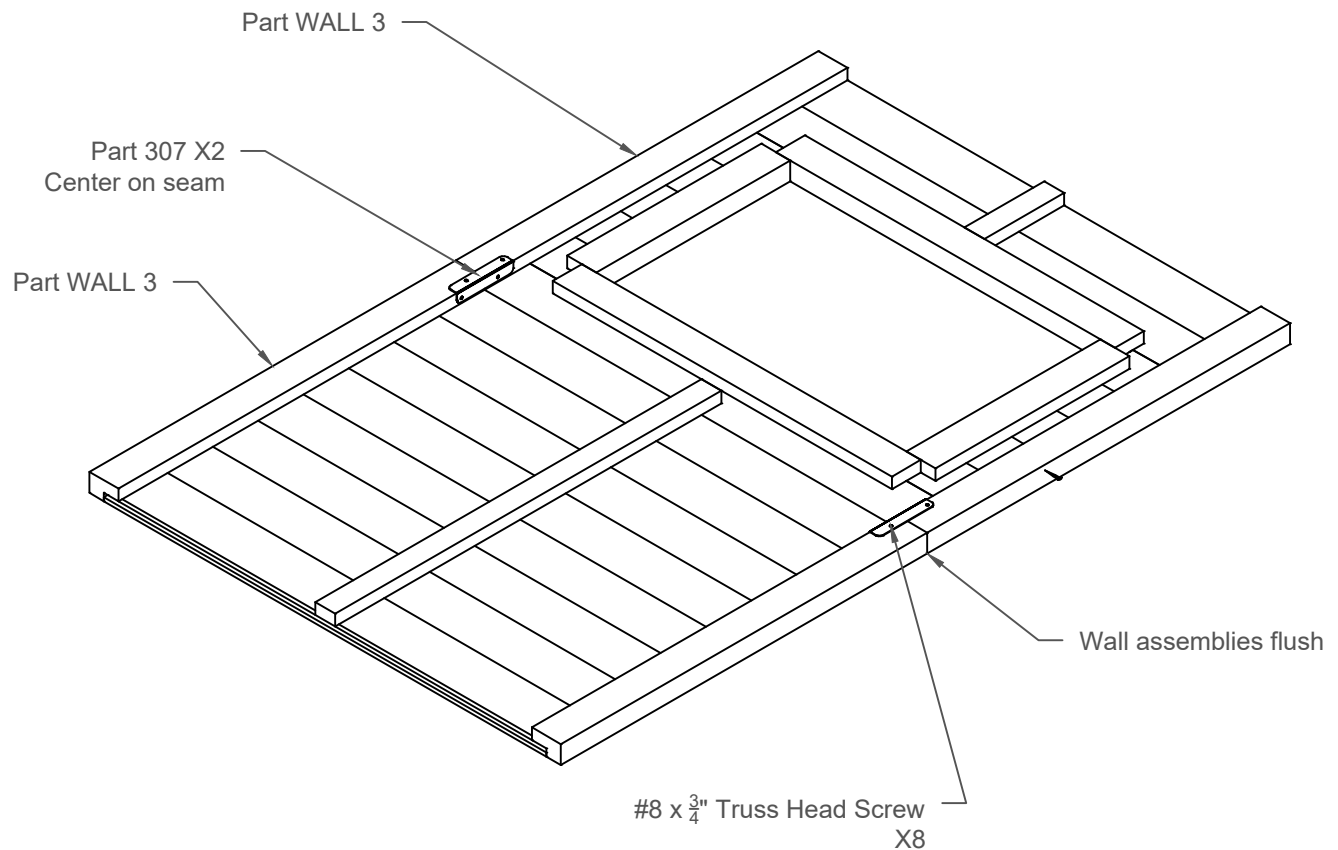


## WALLS



1. Locate all panels onto frame before attaching.
2. Attach panels as shown.
3. Carefully flip wall over.

**Parts Required:**  
 305 Plage X4



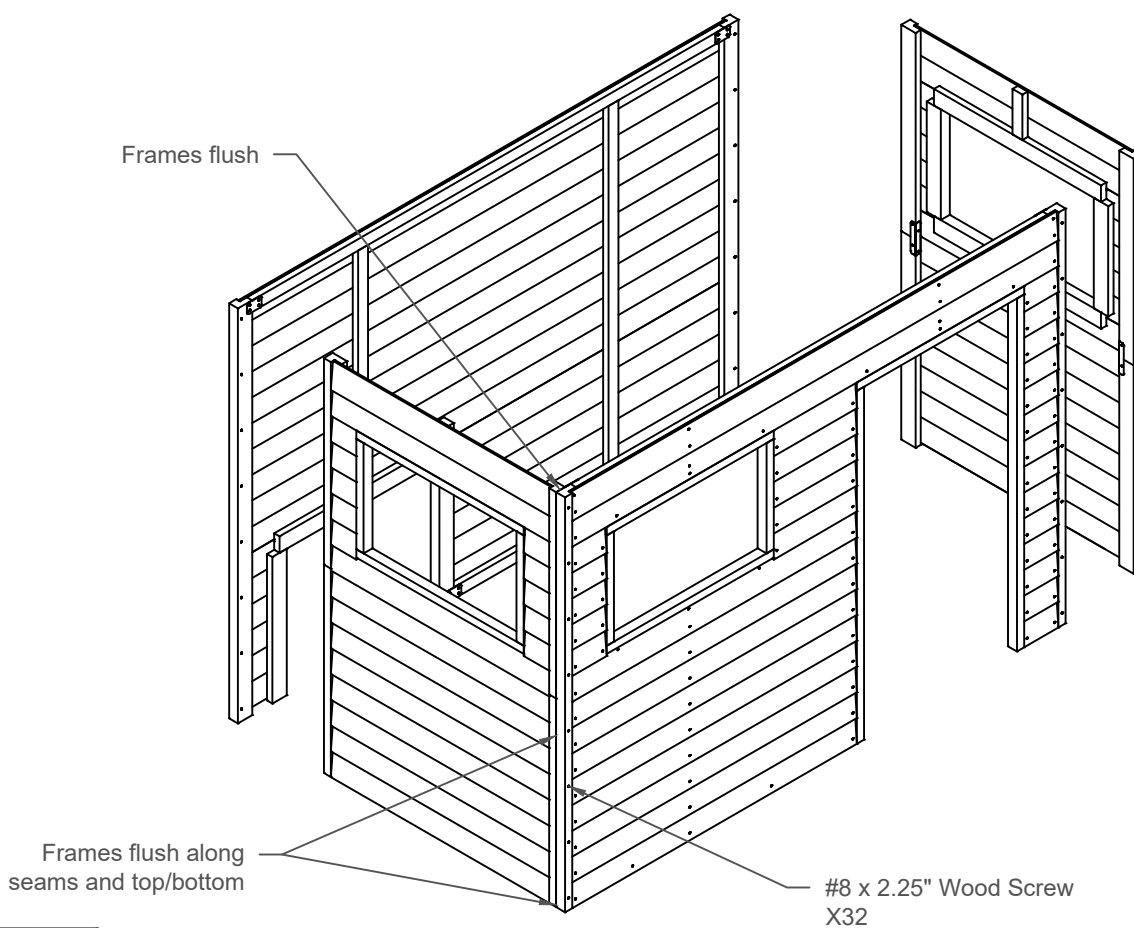
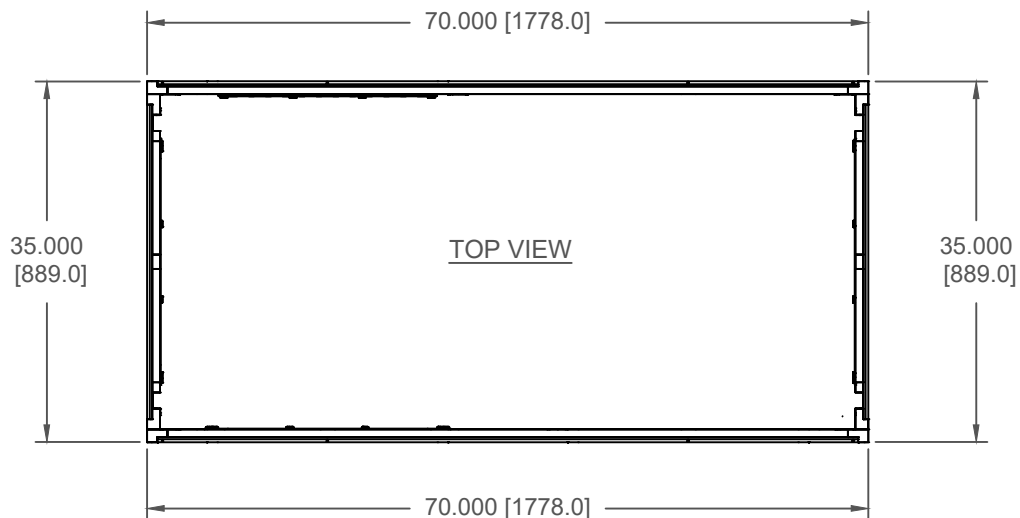
## ASSEMBLE (2) SIDEWALL ASSEMBLIES

1. Locate wall assemblies as shown and attach using wall brackets.
2. Assemble (2) TWO sidewall assemblies the same.

### Parts Required:

WALL 2 X2  
WALL 3 X2  
307 Wall Bracket X4

## STAND WALLS

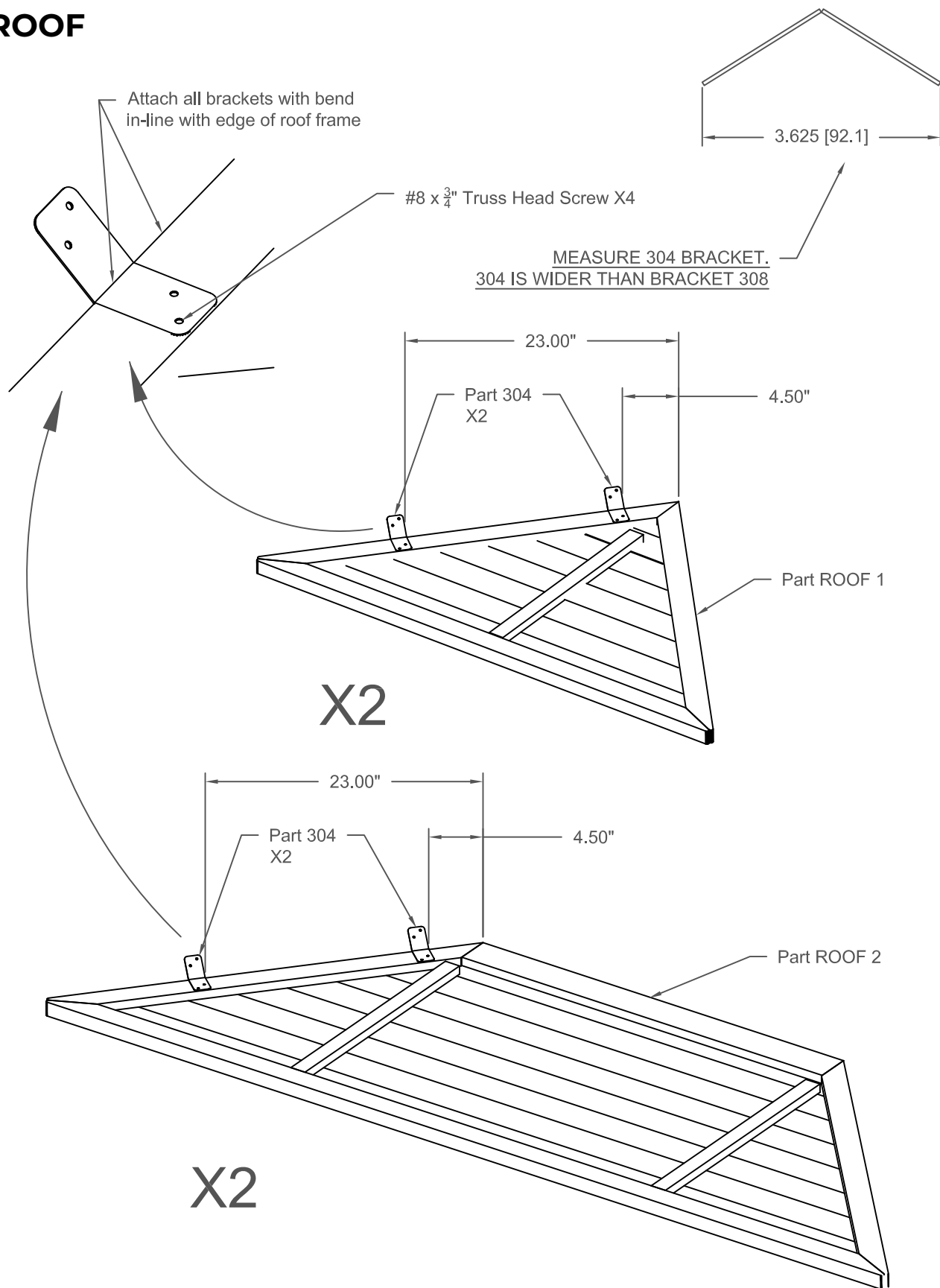


**NOTE: IF THE PLAY HOUSE WILL BE INSTALLED ONTO THE PLAY DECK XXL, IT'S RECOMMENDED TO STAND WALLS ON THE DECK.**

1. TWO PEOPLE required to stand walls to avoid damaging walls.
2. Stand any two walls and align corners flush to adjacent wall as shown.
3. Stand and attach remaining two walls and maintain 35"x70" size as shown.

**Parts Required:**  
Wall Assemblies X4

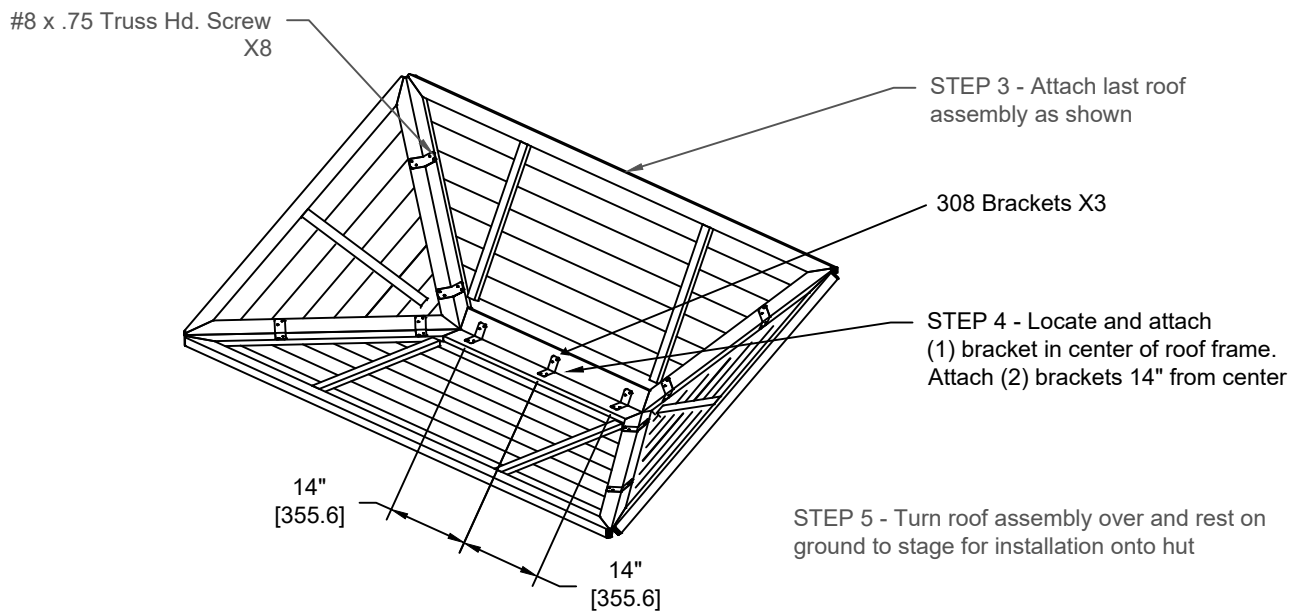
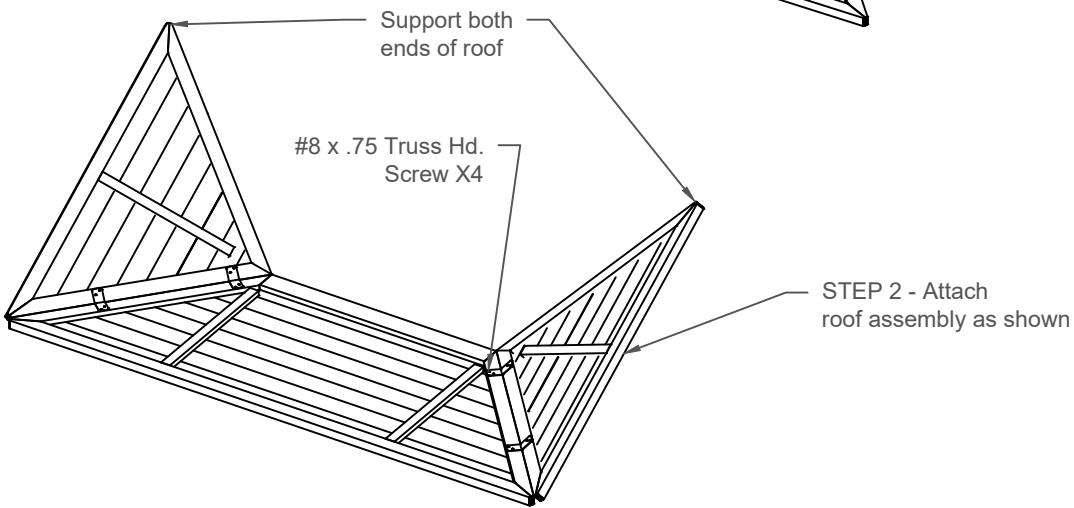
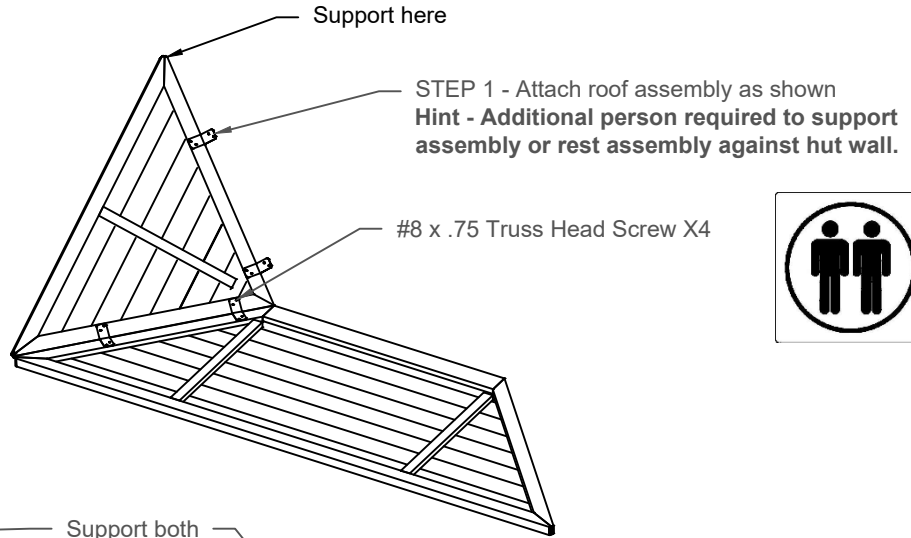
## ROOF



1. Attach (2) brackets to a roof sections as shown.
2. Make (4) Roof/Bracket Assemblies.

### Parts Required:

Roof 1 X2  
 Roof 2 X2  
 303 Bracket X8



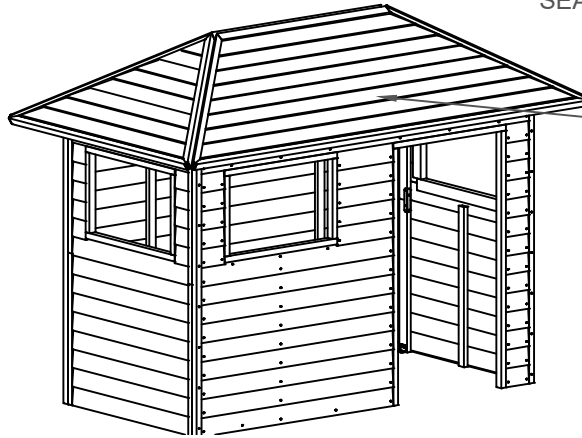
STEP 5 - Turn roof assembly over and rest on ground to stage for installation onto hut

1. Assemble roof panels as shown.
2. Two people required to avoid damaging roof panels.

**Parts Required:**  
Roof Assemblies with brackets X4

## ROOF

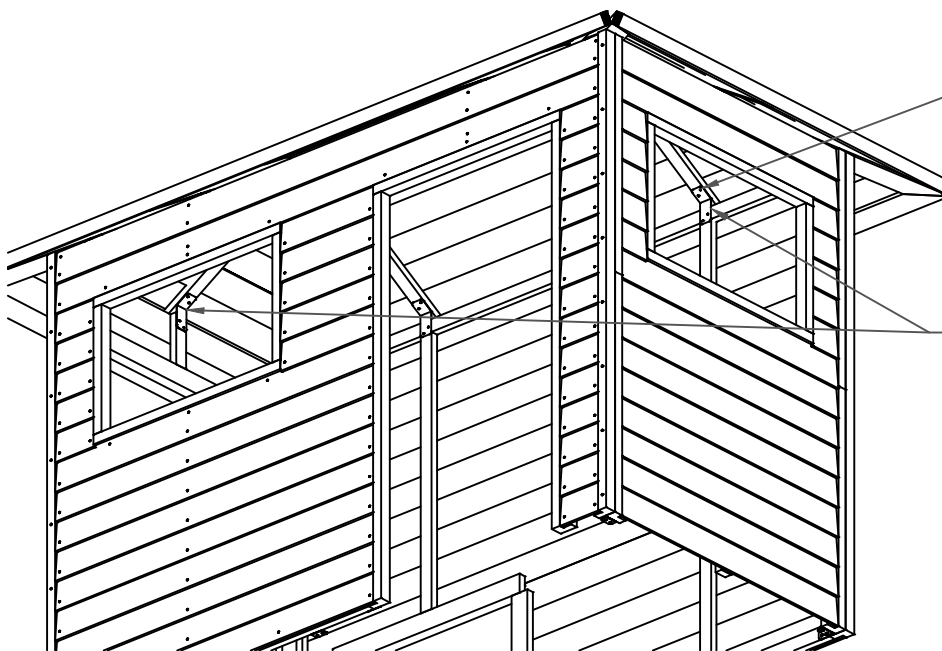
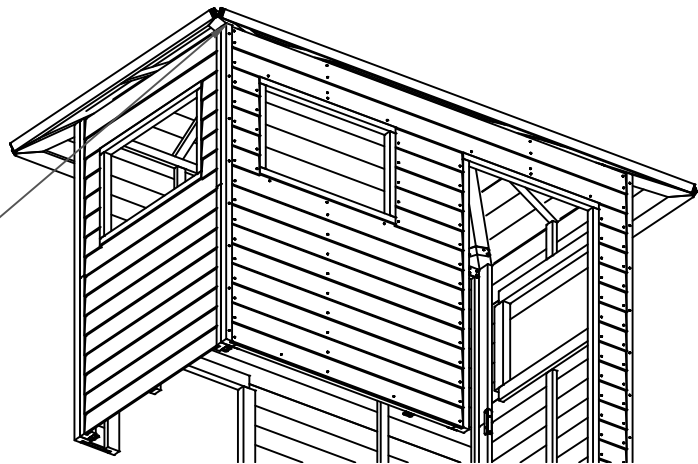
HINT - FOR A WATERTIGHT SEAL, USE AN EXTERIOR RATED CAULK ALONG THE SEAMS IN THE ROOF



Two people required to lift and place the roof assembly onto the hut. The roof will rest on the corners of the hut



All corners of the hut walls should be in line with the seam in the roof panel frame when the roof assembly is resting on the hut



#8 x .75 Truss Head Screw X24

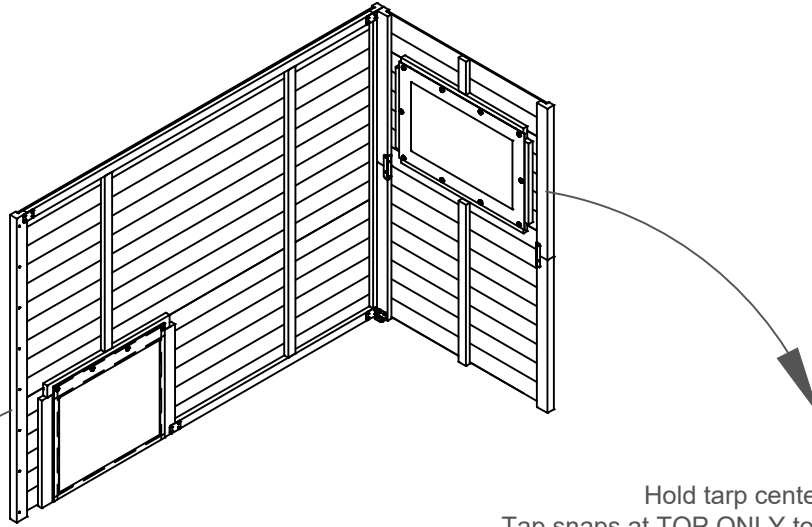
Part 303  
From inside the hut, locate bracket against the roof brace and wall brace. Attach as shown at (6) six locations (Note: The roof will remain resting on the four corners)

1. TWO PEOPLE required to lift and rest roof onto hut walls.
2. Attach roof assembly to hut as shown.

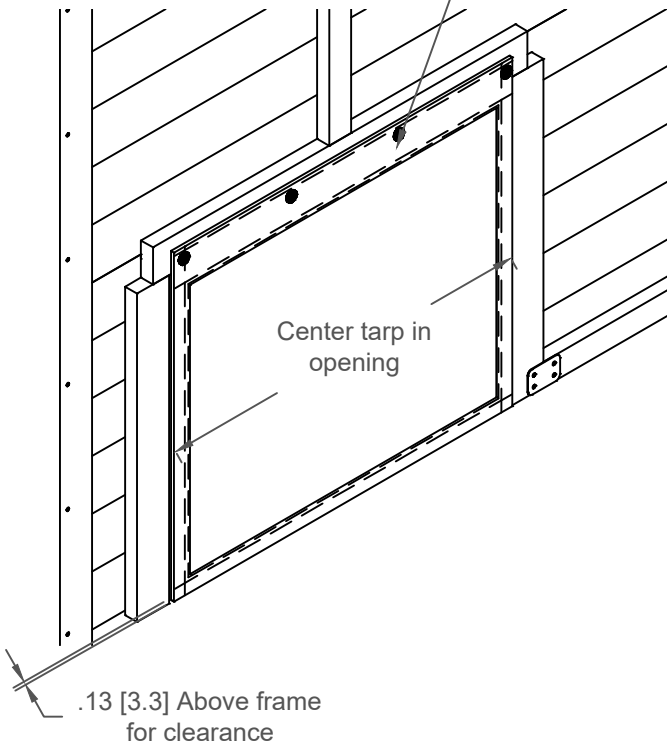
**Parts Required:**

Roof 1 X2  
Roof 2 X2  
303 Bracket X8



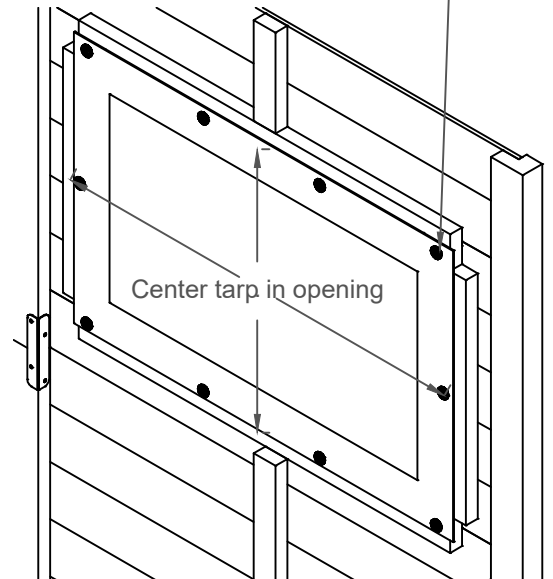


Hold tarp centered in opening and .13 [3.3] above frame, tap snaps to leave marks in the wood. Install threaded snaps at each mark.



Hold tarp centered in opening. Tap snaps at TOP ONLY to leave marks in the wood. Install threaded snaps at each mark.

Attach tarp across top onto snaps. Pull tarp down and sideways firmly. Tap snaps to leave marks in the wood. Install threaded snaps at each mark

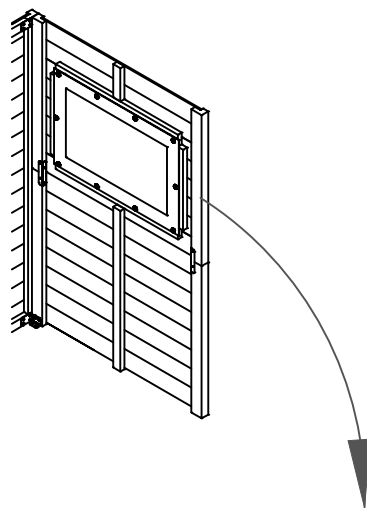


Repeat tarp process on opposite wall and front window openings

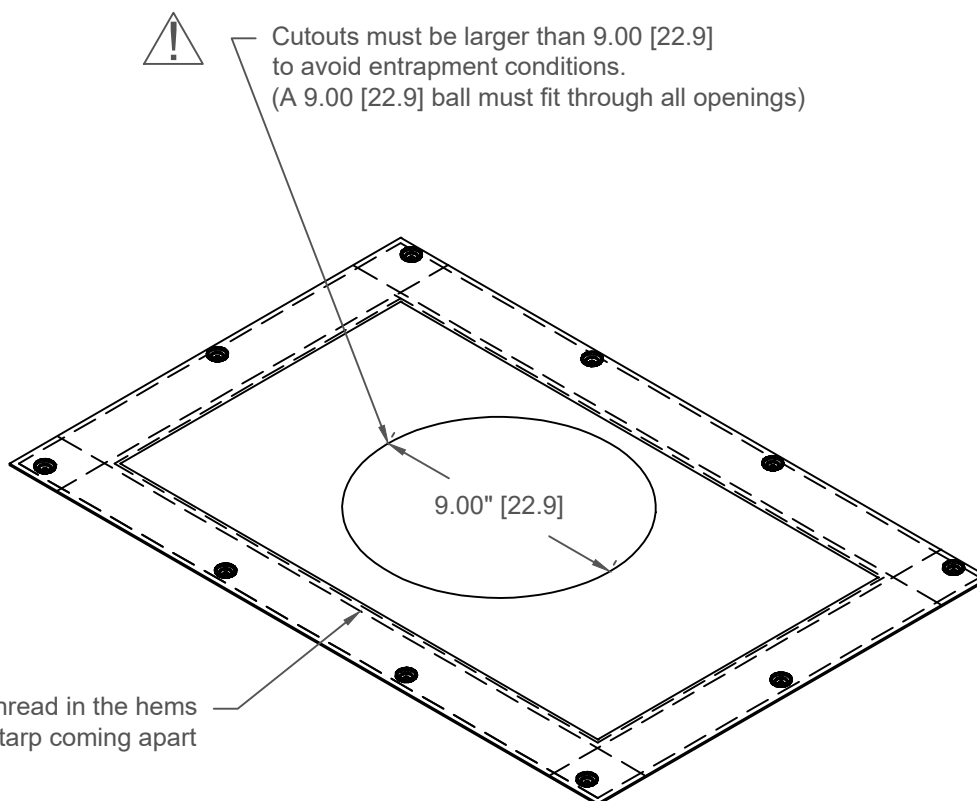
1. Attach trap door and window tarps as shown.

**Parts Required:**

- Trap Door Tarp X1
- Window Tarp X3



You may remove window tarps and add cutout designs. Use a sharp razor-type blade or scissors. Keep cutting tool away from children until tarp designs are finished.



DO NOT cut past the thread in the hems of any tarp to avoid tarp coming apart

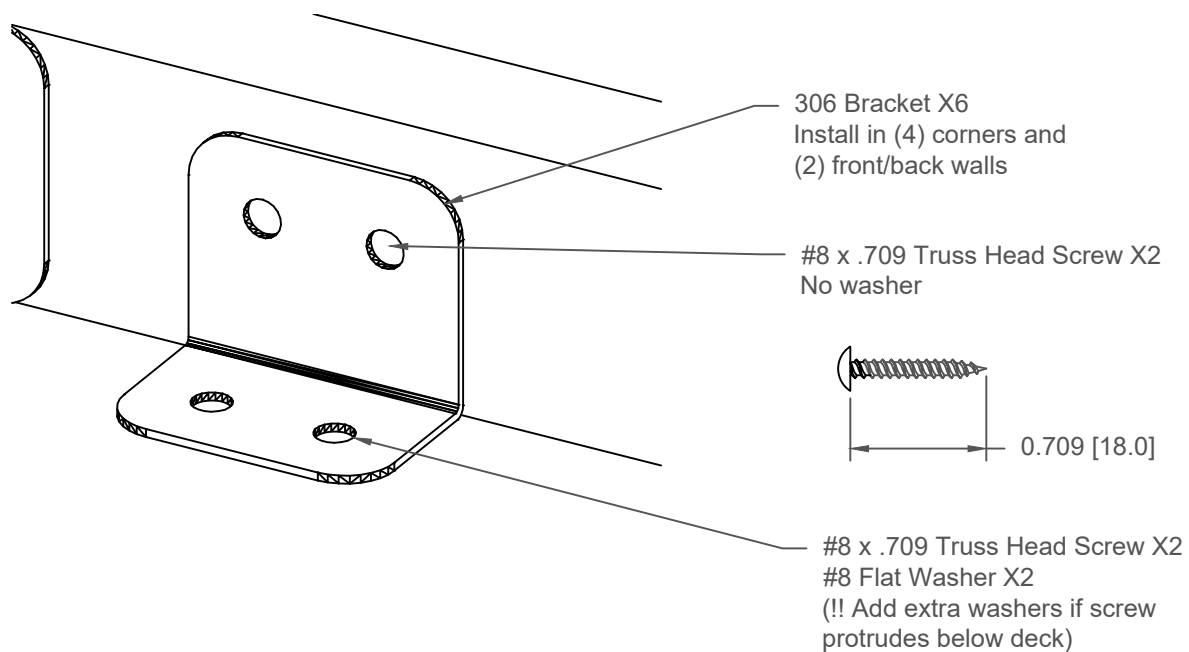
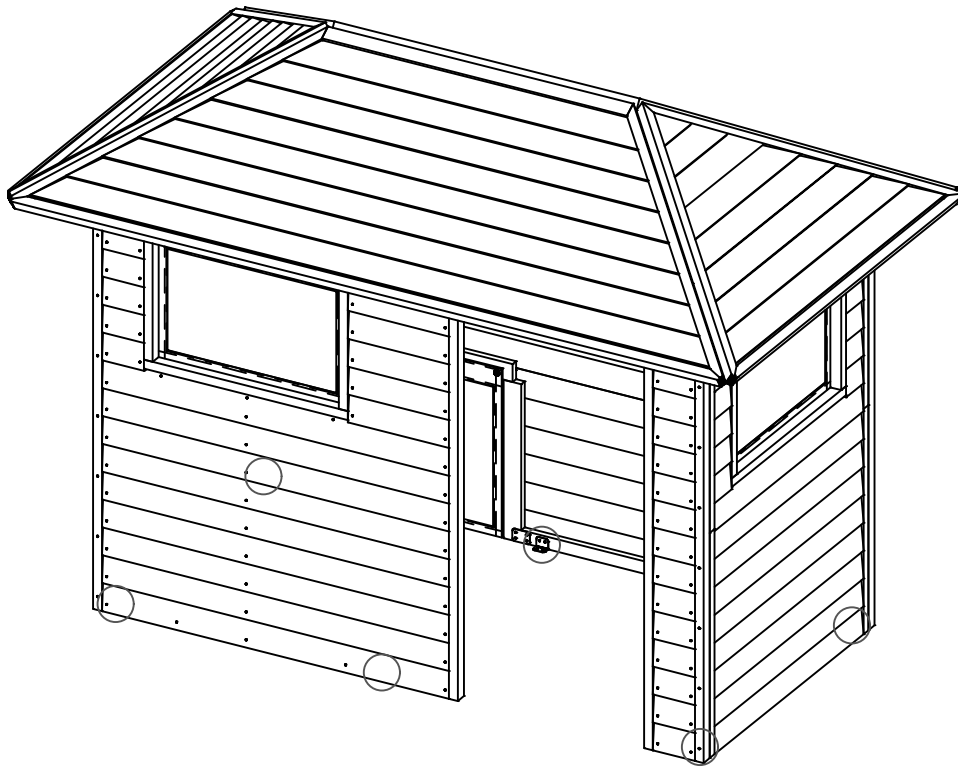


DO NOT ADD CUTOUT TO TRAP DOOR TARP.

1. Cutout designs in the window tarp.
2. Maintain size shown for safety.

**Parts Required:**  
Window Tarp X3

## PLAYHOUSE INSTALLED ON DECK XXL



1. Secure the playhouse to the Deck XXL as shown.
2. If the screws protrude below the deck add extra washers (included).

**Parts Required:**  
306 Bracket X6

# WARRANTY

This warranty applies to the original residential customer purchasing items from Swiss Walterli (dba. Petit Seal), a Newark Inc., (the "Customer"). Any other document containing warranties that are in addition to or inconsistent with the following warranty shall not be binding up Swiss Walterli. (dba. Petit Seal) without the express written acceptance by an authorized representative of Swiss Walterli. (dba. Petit Seal).

IMPORTANT: Customer shall have forty five (45) days to report missing or damaged parts from the date of delivery to Swiss Walterli.(dba. Petit Seal ).

Any warranty claim must include the proof of purchase, which must include the date of purchase. This warranty is between Swiss Walterli's (dba. PETIT SEAL) and the Customer only. This warranty is non-transferable and does not extend to subsequent product owners.

This warranty is void if the product is used in a commercial, institutional, public, or multi-family setting.

## **Swiss Walterli.(dba. Petit Seal) Warranty**

The safety of your child is paramount to us. In an effort to produce the best swing sets in the industry; Swiss Walterli. (dba.Petit Seal) always uses high quality building materials in its products.

Because we choose high quality materials, we're able to offer outstanding warranties on our swing sets. Each swing set comes with its own lifetime or two-year warranty depending on the components included in the specific set. Please see the list of covered components at the bottom of this warranty document to determine the applicable coverage for your specific swing set. This warranty document covers our current swing sets.

Swiss Walterli.(dba. Petit Seal) guarantees its products meet applicable standards only when used as directed under normal operation or service. Swiss Walterli.(dba. Petit Seal) warrants its products, to the Customer, to be free from defects in material and workmanship under normal and proper usage.

THE FOLLOWING ARE EXPRESSLY EXCLUDED FROM THE WARRANTY: components subject to normal wear and tear; unreasonable use or abuse; improper installation or maintenance; vandalism; alterations or modifications; acts of God and/or nature; cosmetic issues including rust, scratches and discoloration; or use of the product other than as intended or designed.

SWISS WALTERLI (DBA. PETIT SEAL) MAKES NO OTHER WARRANTY, EXPRESS OR IMPLIED, WITH REGARD TO THE DESIGN, SALE, MERCHANTABILITY OR FITNESS OF GOODS FOR A PARTICULAR PURPOSE OR USE EXCEPT AS EXPRESSLY SET FORTH HEREIN. SWISS WALTERLI. (DBA.PETIT SEAL) IS NOT SUBJECT TO ANY OTHER OBLIGATIONS OR LIABILITIES ARISING OUT OF BREACH OF CONTRACT OR WARRANTY, TORT CLAIMS INCLUDING NEGLIGENCE AND STRICT LIABILITY, OR ANY OTHER THEORIES OF LAW. SP

IMBA INC. IS UNDER NO EVENT LIABLE FOR ANY SPECIFIC, INDIRECT, INCIDENTAL, OR CONSEQUENTIAL LOSS, DAMAGES, EXPENSE, INJURY, DISMEMBERMENT, OR DEATH OF ANY KIND WHATSOEVER.

SWISS WALTERLI'S (DBA. PETIT SEAL) LIABILITY UNDER THIS WARRANTY IS LIMITED TO THE REPAIR OR REPLACEMENT OF A DEFECTIVE COMPONENT. IN NO EVENT SHALL SWISS WALTERLI'S (DBA. PETIT SEAL) LIABILITY EXCEED THE ACTUAL COST OF MATERIALS NECESSARY FOR REPAIR OR REPLACEMENT OF THE COMPONENT COVERED BY THE WARRANTY

## **Lifetime Warranty .**

Swiss Walterli's (DBA. PETIT SEAL) 2021 Lifetime Warranty includes all wooden (wood from responsible mills & forests) components.

Excludes all, surface cracks, knotholes and knots in the wood components.

A note about wood: The wooden components in your Swiss Walterli's (dba. PETIT SEAL) swing set will have natural imperfections such as surface cracks, knots and knot holes. These are natural characteristics of wood. Natural imperfections such as these that do not affect structural integrity are expressly excluded from Warrant.

## **Two-Year Warranty**

Swiss Walterli's (dba. PETIT SEAL) two-year Warranty includes: Chains; Brackets & Plates; Screws; Wave slide; Swing seats; Flexible Belt Swing; Double Glider; Climbing Rocks With Hardware; Telescopes; Hand Grip; Tarps; and Ground Anchors. Swiss Walterli. (dba. PETIT SEAL) reserves the right to examine photographs and/or physical components claimed to be defective, and to recover said components, freight prepaid by Customer, prior to disposition of warranty claims. The final decision regarding the component is subject to Swiss Walterli's (dba. PETIT SEAL) verification of the defect, which, at Swiss Walterli's (dba. Petit Seal) discretion, may be determined by submitting photographs by email of the defective part to [welcome@petitseal.com](mailto:welcome@petitseal.com)

Customer shall have forty five (45) days to report missing or damaged parts from the date of delivery to Swiss Walterli's.(dba. PETIT SEAL).

Any warranty claim must include the proof of purchase, which must include the date of purchase.