

601

- IMPORTANT NOTICE -
RESIDENTIAL HOME USE ONLY. Not intended for public areas
such as schools, churches, nurseries, day cares or parks



**Parts missing or damaged?
Need assistance with assembly?**

Contact Us First!

Please send your request to our central
customer service email: welcome@petitseal.com

One of our customer service agents will reply to
you within 24 hours



601
REV: 3-13-2022

3-Position Swing Set

Assembly and Installation Instructions
Intended for children from ages 3 to

!! IMPORTANT !!

This instruction shows how to assemble two types of swing beams

For the 3-Position Swing Set
go to step **1**



For the 3-Position Swing Set to
attach to the Play Deck XXL
go to step **8**



Model: 2001

(BOXES: 1002, Accessory Box, Box)

Swiss Walterli Kft.

Petit Seal

Simonffy utca 4-6, fszt. 41.

4025 Debrecen, Hungary

welcome@petitseal.com

www.petitseal.com



**WARNING: ASSEMBLY
BY AN ADULT RETAIN
THESE INSTRUCTIONS**

Do not use this playset
until completely assembled
and inspected by an adult.

RESIDENTIAL HOME USE ONLY. Not intended for public areas such as schools, churches, nurseries, day cares or parks

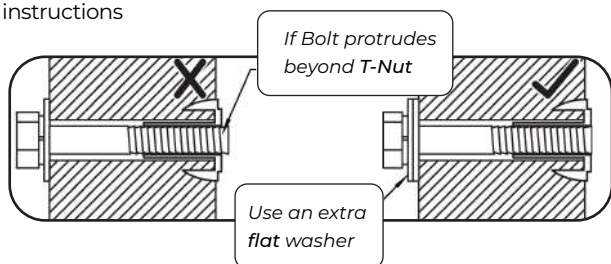
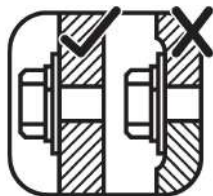
Instructions for Proper Maintenance

Your Petit Seal Playset is designed and constructed of quality materials with your child's safety in mind. As with all outdoor products used by children, it will weather and wear. To maximize the enjoyment, safety and life of your Play Set, it is important that you, the owner, properly maintain it.

Check the following at the beginning of the play season:

HARDWARE:

- Check metal parts for rust. If found, sand and repaint using a non-lead paint complying with 16 CFR 1303.
- Inspect and tighten all hardware. On wood assemblies **DO NOT OVER TIGHTEN** as to cause crushing and splintering of wood.
- Check for sharp edges or protruding screw threads, add washers if required.
- Lubricate all metallic moving parts per manufacturer's instructions



SHOCK ABSORBING SURFACING:

- Check for foreign objects. Rake and check depth of loose fill protective surfacing materials to prevent compaction and maintain appropriate depth. Replace as necessary.

GROUND STAKES (ANCHORS):

- Check for looseness, damage or deterioration. Should firmly anchor unit to ground during use. Re-secure and or replace, if necessary.

PROTECTIVE COVERINGS:

- Check all protective coverings on bolts, pipes, edges, and corners. Replace if they are loose, cracked, or missing.

SWINGS, ROPES AND RIDES:

- Reinstall if removed during cold season. Check all moving parts including swing seats, ropes, chains and attachments for wear, rust and other deterioration. Replace as needed.
- Check that ropes are tight, secure at both ends and cannot loop back as to create an entrapment.

WOOD PARTS:

- Check all wood members for deterioration, structural damage and splintering. Sand down splinters and replace deteriorated wood members. As with all wood, some checking and small cracks in grain is normal.
- Applying a water repellent or stain (water-based) on a yearly basis is important maintenance to maintain maximum life and performance of the product.

Check twice a month during play season:

HARDWARE:

- Inspect for tightness. Must be firmly against, but not crushing the wood. **DO NOT OVER-TIGHTEN**. This will cause splintering of wood.
- Check for sharp edges or protruding screw threads. Add washers if required.

SHOCK ABSORBING SURFACING:

- Rake and check depth of loose fill protective surfacing materials to prevent compaction and maintain appropriate depth. Replace as necessary.

PROTECTIVE COVERINGS:

- Check all protective coverings on bolts, pipes, edges, and corners. Replace if they are loose, cracked, or missing.

Check once a month during play season:

HARDWARE:

- Lubricate all metallic moving parts per manufacturer's instructions

SWINGS AND RIDES:

- Check swing seats, all ropes, chains and attachments for fraying, wear, excessive corrosion or damage. Replace if structurally damaged or deteriorated.

Check at the end of the play season:

SWINGS AND RIDES:

- To prolong their life, remove swings and store inside when outside temperature is below 32°F / 0°C. Below freezing, plastic parts may become more brittle.

SHOCK ABSORBING SURFACING:

- Rake and check depth of loose fill protective surfacing materials to prevent compaction and maintain appropriate depth. Replace as necessary.

If you dispose of your play set: Please disassemble and dispose of your unit so that it does not create any unreasonable hazards at the time it is discarded. Be sure to follow your local waste ordinances.

Playground Surfacing Materials

Section 4 of the consumer product safety commission's outdoor home playground safety handbook⁹

Select Protective Surfacing

One of the most important things you can do to reduce the likelihood of serious head injuries is to install shock-protective surfacing under and around your play equipment. The protective surfacing should be applied to a depth that is suitable for the equipment height in accordance with ASTM Specification F 1292. There are different types of surfacing to choose from; whichever product you select, follow these guidelines:

Note: Do not install home playground equipment over concrete, asphalt, or any hard surface. A fall onto a hard surface can result in serious injury to the equipment user. Grass and dirt are not considered protective surfacing because wear and environment factors can reduce their shock absorbing effectiveness. Carpeting and thin mats are generally not adequate protective surfacing. Ground level equipment - such as a sandbox, activity wall, playhouse or other equipment that has no elevated play surface - does not need any protective surfacing.

Loose-Fill Materials:

- Maintain a minimum depth of 9 inches [22,9 cm] of loose-fill materials such as wood mulch/chips, engineered wood fiber (EWF), or shredded/recycled rubber mulch for equipment up to 8 feet [2,4 m] high; and 9 inches [22,9 cm] of sand or pea gravel for equipment up to 5 feet high. NOTE: An initial fill level of 12 inches [30,5 cm] will compress to about a 9- inches [22,9 cm] depth of surfacing over time. The surfacing will also compact, displace, and settle, and should be periodically refilled to maintain at least a 9- inch [22,9 cm] depth.
- Use a minimum of 6 inches of protective surfacing for play equipment less than 4 feet in height. If maintained properly, this should be adequate. (At depths less than 6 inches [15,2 cm], the protective material is too easily displaced or compacted.)
- Use containment, such as digging out around the perimeter and/or lining the perimeter with landscape edging. Don't forget to account for water drainage.
- Check and maintain the depth of the loose-fill surfacing material. To maintain the right amount of loose-fill materials, mark the correct level on play equipment support posts. That way you can easily see when to replenish and/or redistribute the surfacing.
- Do not** install loose fill surfacing over hard surfaces such as concrete or asphalt.

Poured-In-Place Surfaces or Pre-Manufactured Rubber Tiles:

You may be interested in using surfacing other than loose-fill materials - like rubber tiles or poured-in-places surfaces.

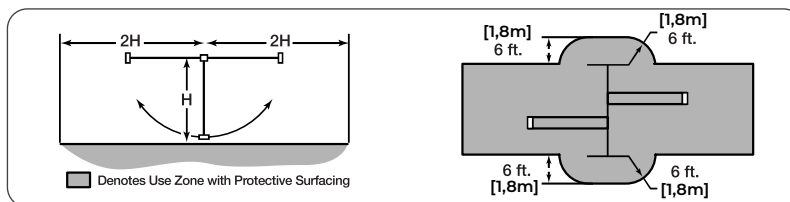
- Installations of these surfaces generally require a professional and are not "do-it-yourself" projects.
- Review surface specifications before purchasing this type of surfacing. Ask the installer/manufacturer for a report showing that the products has been tested to the following safety standard: ASTM F 1292 Standard Specification for Impact Attenuation of Surfacing Materials within the Use Zone of Playground Equipment. This report should show the specific height for which the surface is intended to protect against serious head injury. This height should be equal to or greater than the fall height - vertical distance between a designated play surface (elevated surface for standing, sitting, or climbing) and the protective surfacing below - of your play equipment.
- Check the protective surfacing frequently for wear.

Placement

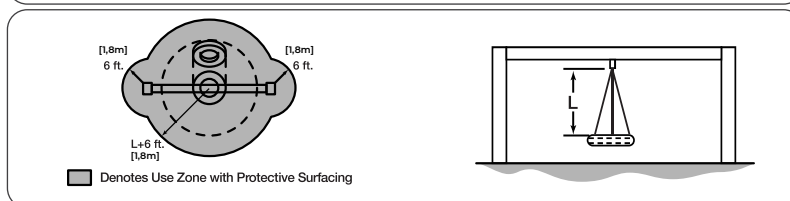
Proper placement and maintenance of protective surfacing is essential. Be sure to

- Extend surfacing at least 6 feet [1,8 m] from the equipment in all directions.
- For to-fro swings, extend protective surfacing in front of and behind the swing to a distance equal to twice the height of the top bar from which the swing is suspended.
- For tire swings, extend surfacing in a circle whose radius is equal to the height of the suspending chain or rope, plus 6 feet in all directions.

Use Zone for Single-Axis Swings



Use Zone for Multi-Axis Swings



⁹This information has been extracted from the CPSC publications "Playground Surfacing-Technical information Guide" and "Handbook for Public Playground Safety" Copies of these reports can be obtained by sending a postcard to the: Office of Public Affairs, U.S. Consumer Product Safety Commission, Washington, D.C., 20207 or call the toll-free hotline: 1-800-638-2772

Assembly Information

Tools Required

- Tape Measure
- Carpenters Level
- Carpenters Square
- Claw Hammer
- Standard or Cordless Drill
- Rubber Mallet

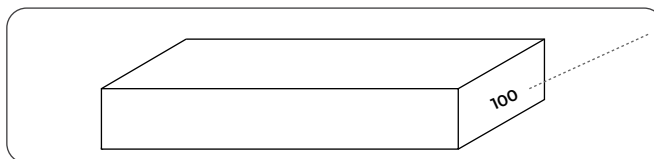
- #2 Robertson Drive Bit (Included)
- Ratchet with extension 7/16" (11mm) & 1/2" (13mm) sockets

- Open End Wrench 7/16" (11mm) & 1/2" (13mm)
- Adjustable Wrench
- Drill Bits (up to 3/8" (10mm) sizes.

- 8' (2.4m) Step Ladder
- Safety Glasses
- Adult Helpers
- Pencil

Part Identification

On each page, you will find the parts and quantities required to complete the assembly step illustrated on that page.



Part Identification

Each part has the Part Number printed on the end of the part for ease of identification.

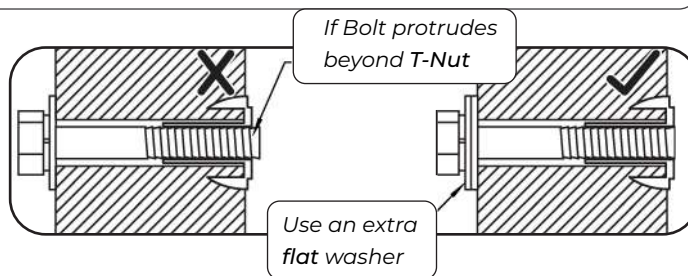
Symbols

Throughout these instructions symbols are provided as important reminders for proper and safe assembly

<p>This identifies information that requires special attention. Improper assembly could lead to an unsafe or dangerous condition.</p>		<p>Check that set or assembly is properly level before proceeding.</p>		<p>Use Level</p>
<p>To avoid injury or damage to the assembly make sure to get help!</p>	<p>Use Help</p>	<p>This indicates time to tighten bolts, but not too tight! Do not crush the wood. This may create splinters and cause structural damage.</p>		<p>Tighten Bolts</p>
<p>Check that assembly is square before tightening bolts.</p>		<p>This indicates DO NOT over-drive wood screws to avoid screw protrusions.</p>		<p>Flush</p>
<p>Use a measuring tape to assure proper location.</p>		<p>Measure distance</p>		

CAUTION - Protrusion Hazard

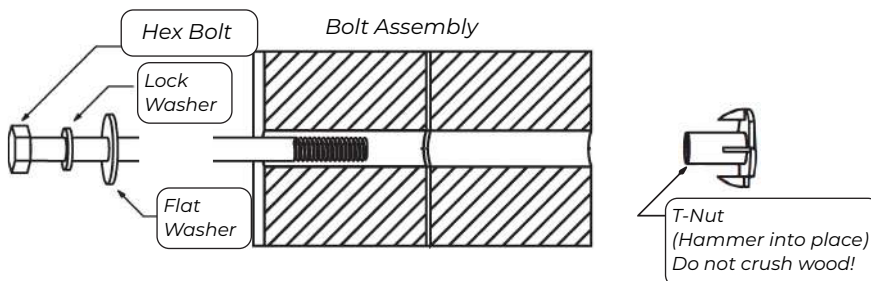
Once the assembly is tightened, watch for exposed threads. If a thread protrudes from the T-Nut, remove the bolt and add washers to eliminate this condition. Extra washers have been provided for this purpose.



Proper Hardware Assembly:

For bolts, tap T-Nut into hole with hammer. Insert the hex bolt through lock washer first then flat washer then hole.

Because the assemblies need to be squared do not completely tighten until instructed.



About our wood

Petit Seal Play Systems uses only premium playset lumber, ensuring the safest product for your children's use. Although we take great care in selecting the best quality lumber available, wood is still a product of nature and susceptible to weathering which can change the appearance of your set.

What causes weathering? Does it affect the strength of my Play System?

One of the main reasons for weathering is the effects of water (moisture); the moisture content of the wood at the surface is different from the interior of the wood. As the climate changes, moisture moves in or out of the wood, causing tension which can result in checking and or warping. You can expect the following due to weathering. These changes will not affect the strength of the product:

- Checking** is surface cracks in the wood along the grain. A post 4" x 4" (101mm x 101mm) will experience more checking than a board 1" x 4" (25mm x 101mm) because the surface and the interior moisture content will vary more widely than in thinner wood.
- Warping** results from any distortion (twisting, cupping) from the original plane of the board and often happens from rapid wetting and drying of the wood.
- Fading** happens as a natural change in the wood color as it is exposed to sun-light and will turn a grey over time.

How can I reduce the amount of weathering to my Play System?

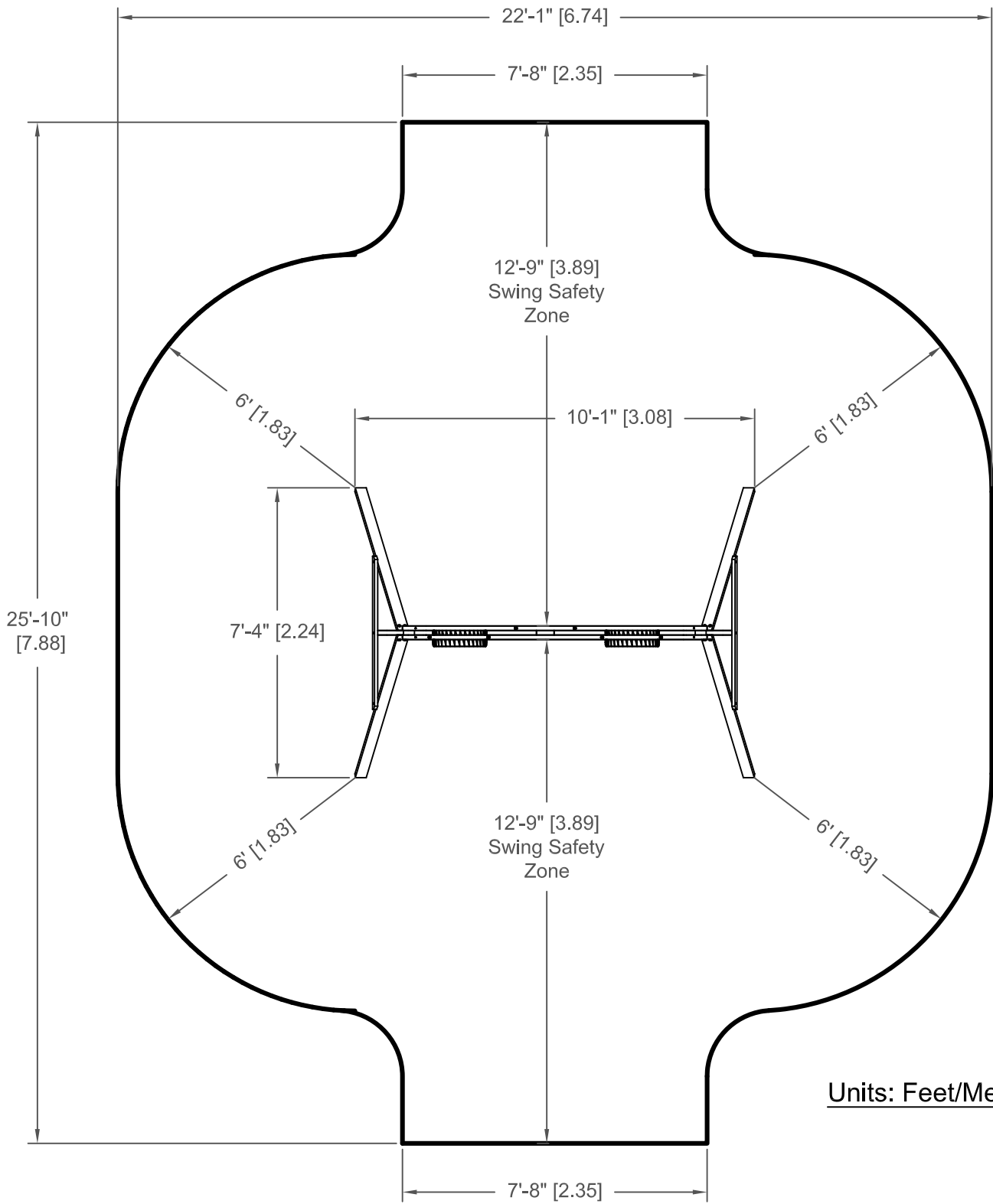
At the factory we have coated the wood with a water repellent or stain. This coating decreases the amount of water absorption during rain or snow thus decreasing the tension in the wood. Sunlight will break down the coating, so we recommend applying a water repellent or stain on a yearly basis (see your local stain and paint supplier for a recommended product)

Most weathering is just the normal result of nature and will not affect safe play and enjoyment for your child. However if you are concerned that a part has experienced a severe weathering problem please call our consumer relations department for further assistance.

OCCUPANTS / WEIGHT LIMITS / TOTAL WEIGHT / FALL HEIGHT

	Total Number of Occupants	Weight Limit per User	Total Weight Limit	Notes	Fall Height
Play Deck XXL	8	110 lbs. / 49.9 kg.	880 lbs. / 399.7 kg.	Total weight does not include occupants in the sandbox or table/bench areas.	47.25" [120 cm]
3-Position Swing	3	110 lbs. / 49.9 kg.	330 lbs. / 149.7 kg.	Total weight is for (3) single occupancy swings	77.00" [195.6cm]
3-Position Swing	4	110 lbs. / 49.9 kg.	440 lbs. / 199.6 kg.	Total weight is for (2) single occupancy swings and (1) double occupancy glider.	77.00" [195.6cm]
Monkey Bars	1	110 lbs. / 49.9 kg.	110 lbs. / 49.9 kg.		74.75" [189.9 cm]
Ramp	2	110 lbs. / 49.9 kg.	220 lbs. / 99.8 kg.		47.25" [120 cm]
Bridge	3	110 lbs. / 49.9 kg.	330 lbs. / 149.7 kg.		47.25" [120 cm]
Small Playhouse	N/A	N/A	N/A		N/A
Large Playhouse	N/A	N/A	N/A		N/A
Belt Swing	1	110 lbs. / 49.9 kg.	110 lbs. / 49.9 kg.		N/A
Deluxe Glider 2-Person	2	110 lbs. / 49.9 kg.	220 lbs. / 99.8 kg.		N/A
Trapeze	1	110 lbs. / 49.9 kg.	110 lbs. / 49.9 kg.		N/A
Infant Swing	1	55 lbs. / 24.9 kg.	55 lbs. / 24.9 kg.		N/A
Slide	1	110 lbs. / 49.9 kg.	110 lbs. / 49.9 kg.		N/A
32" [81.3] Bench	2	110 lbs. / 49.9 kg.	220 lbs. / 99.8 kg.		N/A

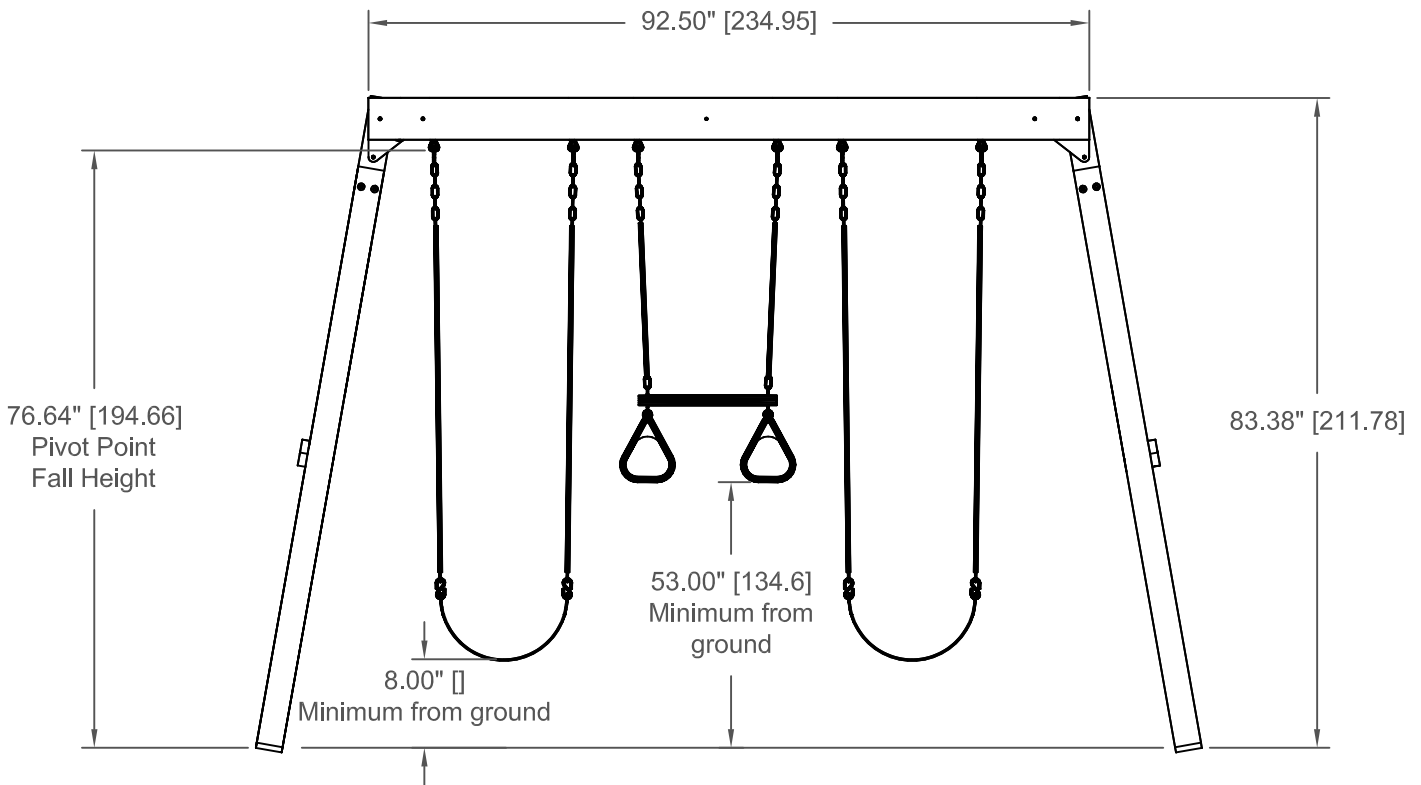
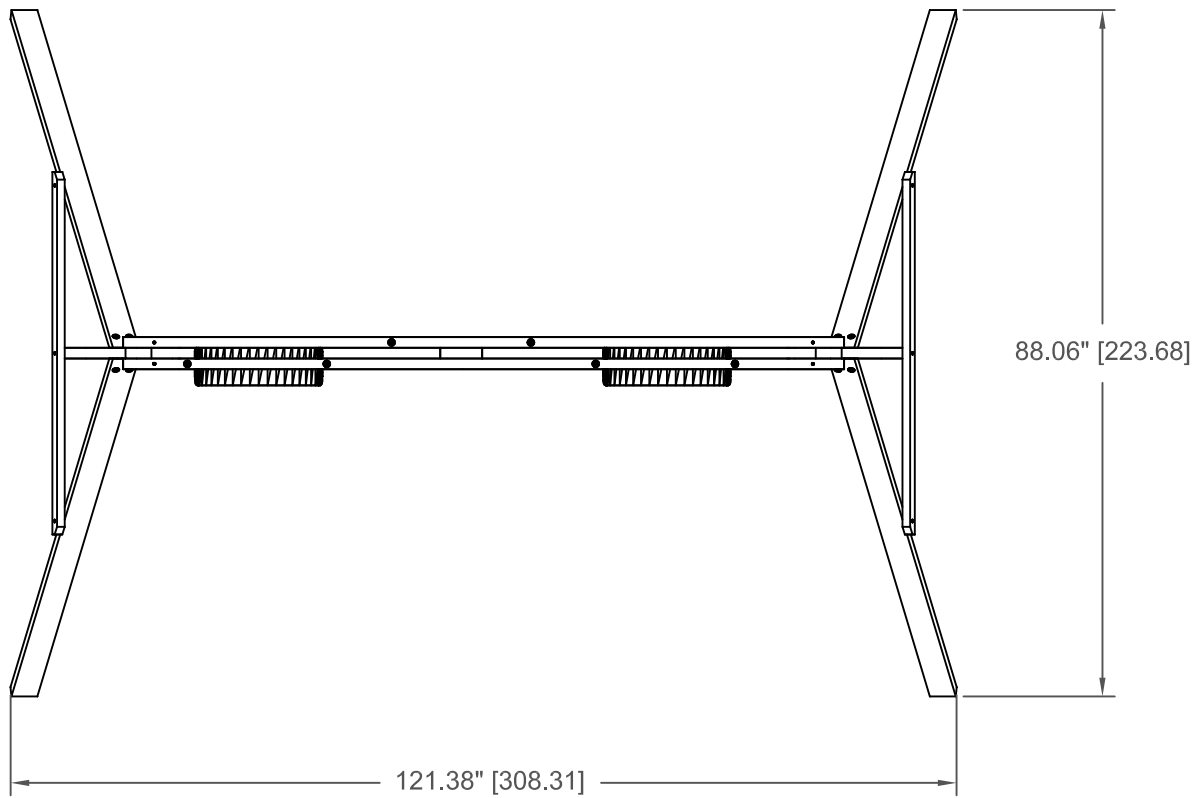
Spimbey recommends that the weight limits for all components must not be exceeded. Failure to adhere to these and other safety guidelines could result in damage to the playset and/or serious injury.



Units: Feet/Meters

Swing Set Safety Use Zone

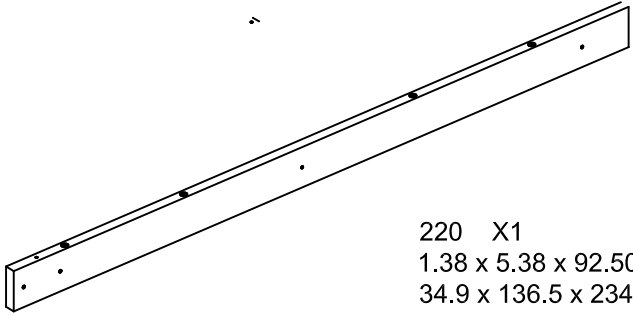
The minimum Safety Use Zone extends no less than 6' [1.83] from all sides of the play structure.



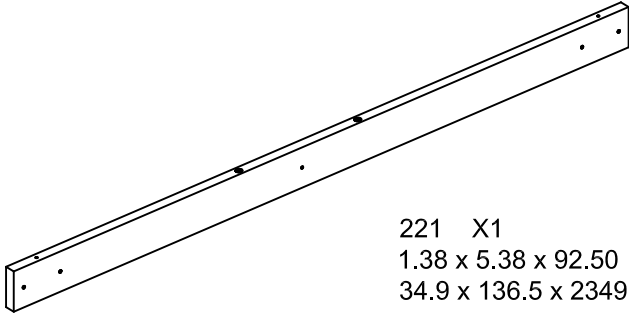
Units: Inches/Centimeters

3-Position Swing Set Specifications

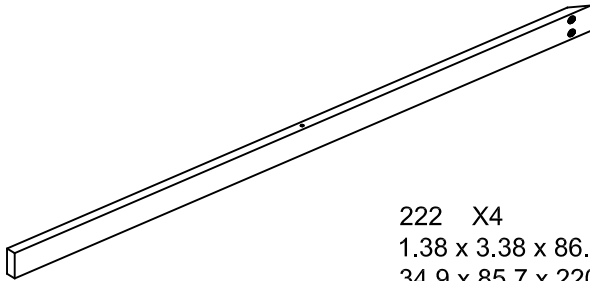
WOOD IDENTIFICATION



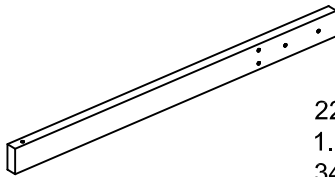
220 X1
1.38 x 5.38 x 92.50
34.9 x 136.5 x 2349.5



221 X1
1.38 x 5.38 x 92.50
34.9 x 136.5 x 2349.5



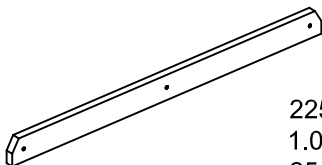
222 X4
1.38 x 3.38 x 86.69
34.9 x 85.7 x 2201.9



223 X2
1.38 x 3.38 x 48.31
34.9 x 85.7 x 1227.1



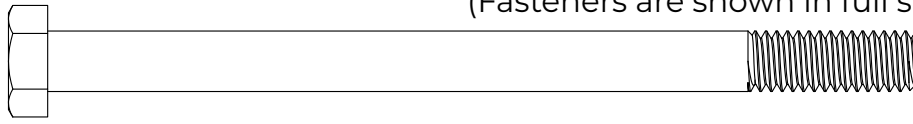
224 X1
1.38 x 3.38 x 5.38
34.9 x 85.7 x 136.5



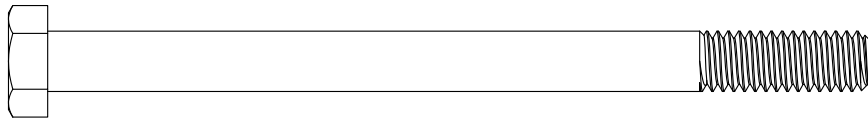
225 X2
1.00 x 3.38 x 46.5
25.4 x 85.7 x 1181.1

HARDWARE LISTING

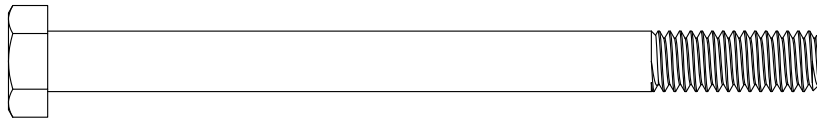
(Fasteners are shown in full size)



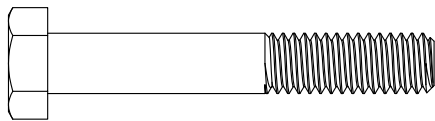
X6 - Hex Bolt - $\frac{5}{16}$ x 4.50" (415)



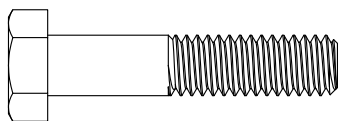
X2 - Hex Bolt - $\frac{5}{16}$ x 4.25" (414)



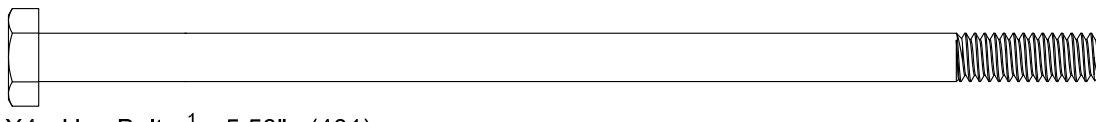
X4 - Hex Bolt - $\frac{5}{16}$ x 4.00" (413)



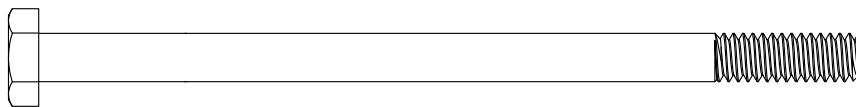
X2 - Hex Bolt - $\frac{5}{16}$ x 2.00" (411)



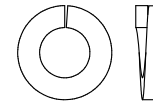
X4 - Hex Bolt - $\frac{5}{16}$ x 1.50" (409)



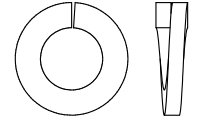
X4 - Hex Bolt - $\frac{1}{4}$ x 5.50" (401)



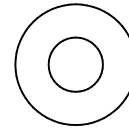
X1 - Hex Bolt - $\frac{1}{4}$ x 4.25" (400)



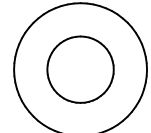
X5 - $\frac{1}{4}$ Lock Washer (405)



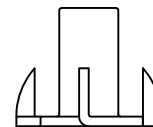
X18 - $\frac{5}{16}$ Lock Washer (420)



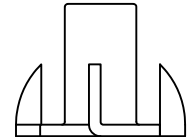
X15 - $\frac{1}{4}$ Flat Washer (404)



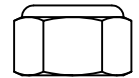
X32 - $\frac{5}{16}$ Flat Washer (419)



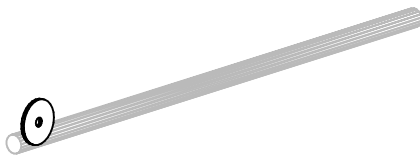
X5 - $\frac{1}{4}$ T-Nut (403)



X17 - $\frac{5}{16}$ T-Nut (418)



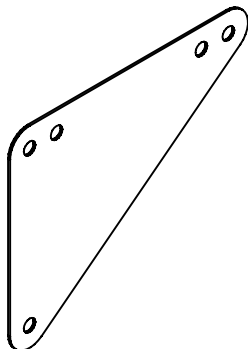
X2 - $\frac{5}{16}$ Lock Nut (417)



X4 - Ground Anchor (309)

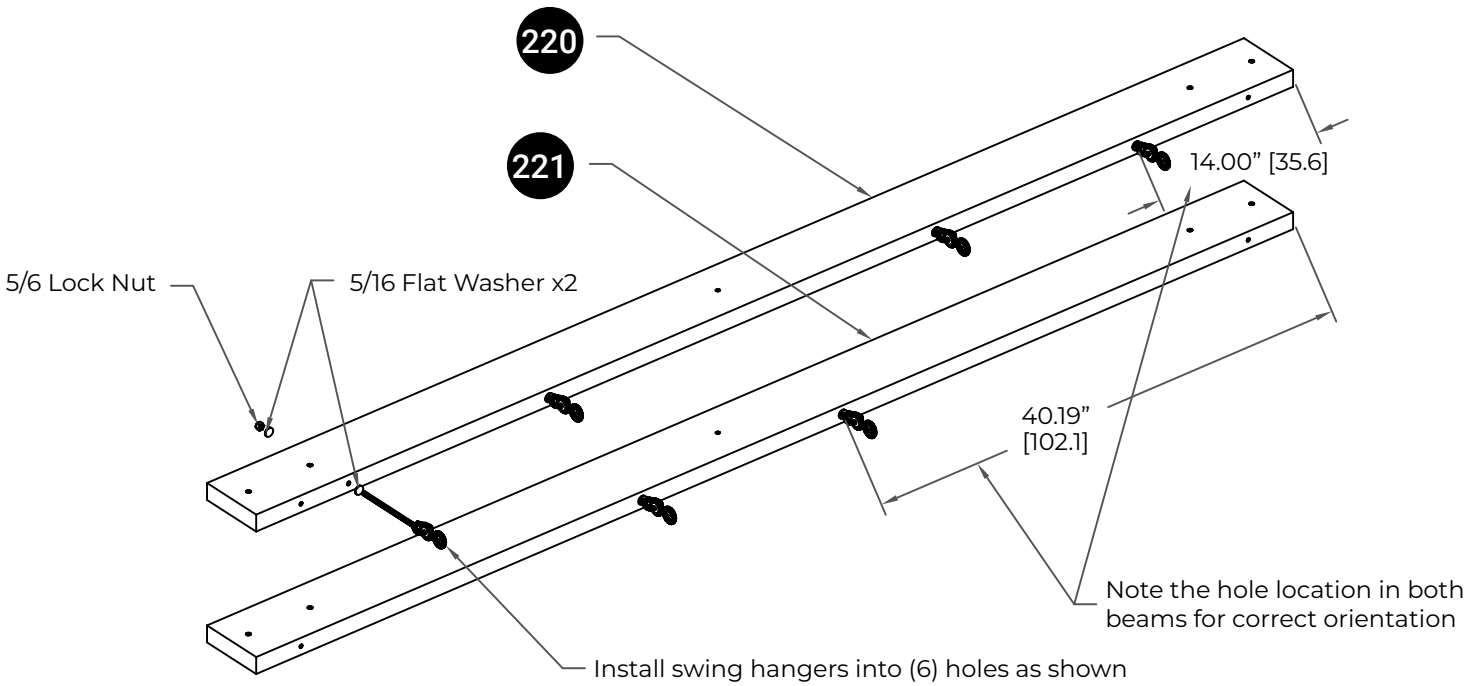
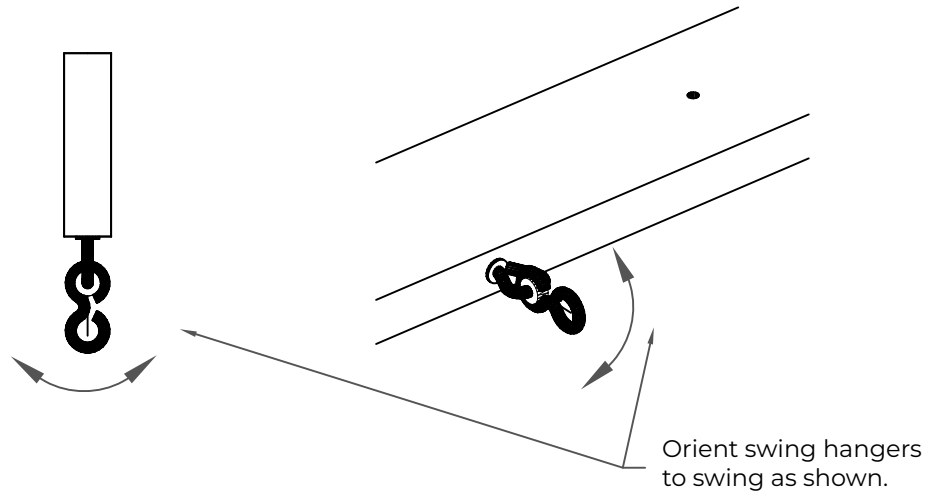


X4 - #12 x 2.00 Pan Head Screw (In Anchor Bag) (490)



X4 - Beam Plate (300)

SWING HANGERS

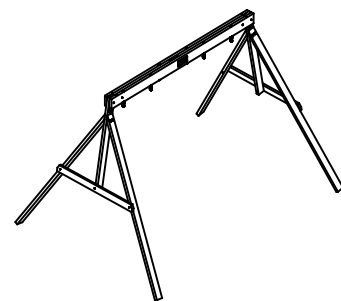
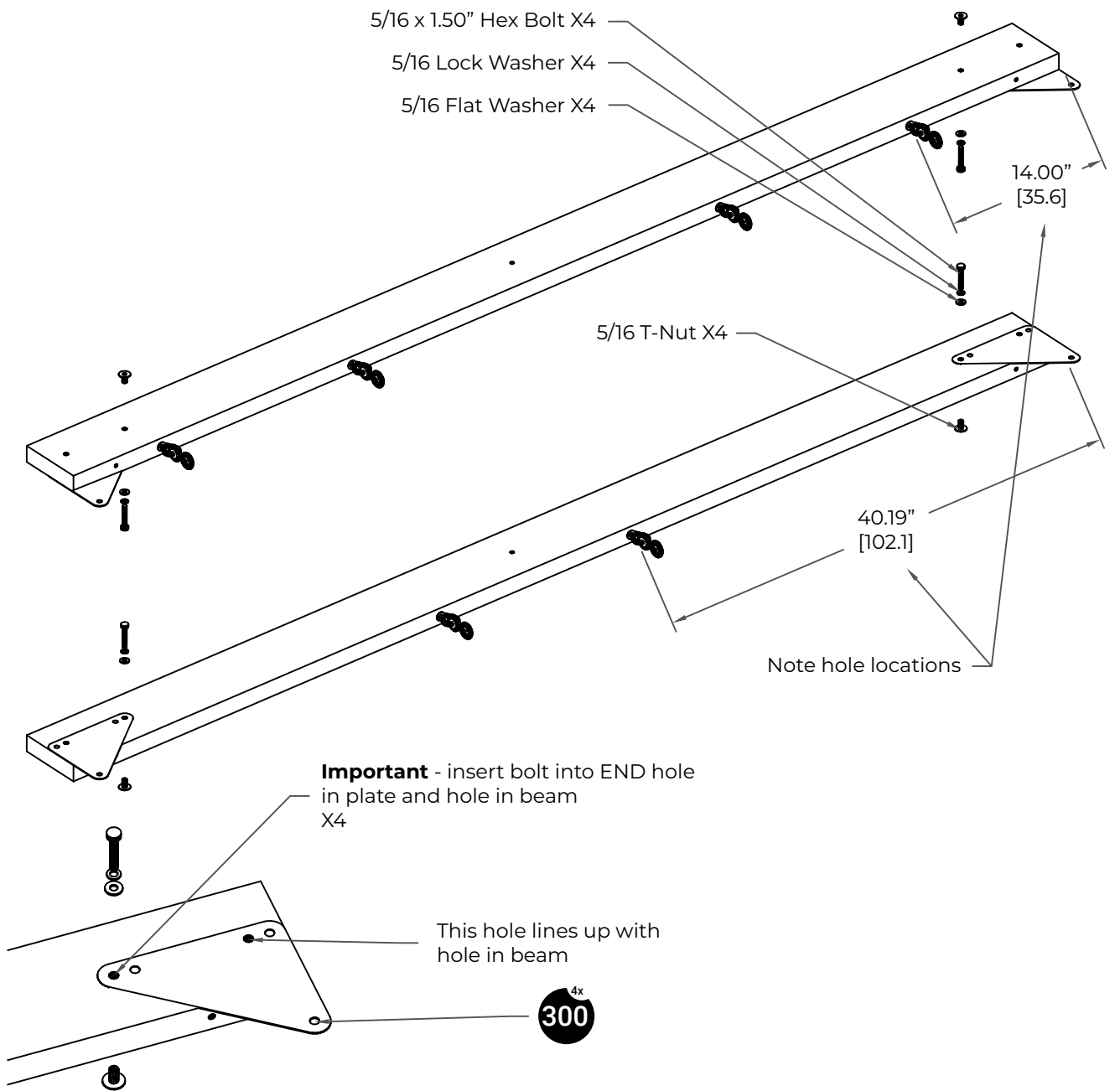


Parts Required:

- 220 X 1
- 221 X 1
- Swing Hangers X 6

1. Locate and install parts as shown.
2. Make sure to orient hangers as shown

BEAM PLATES

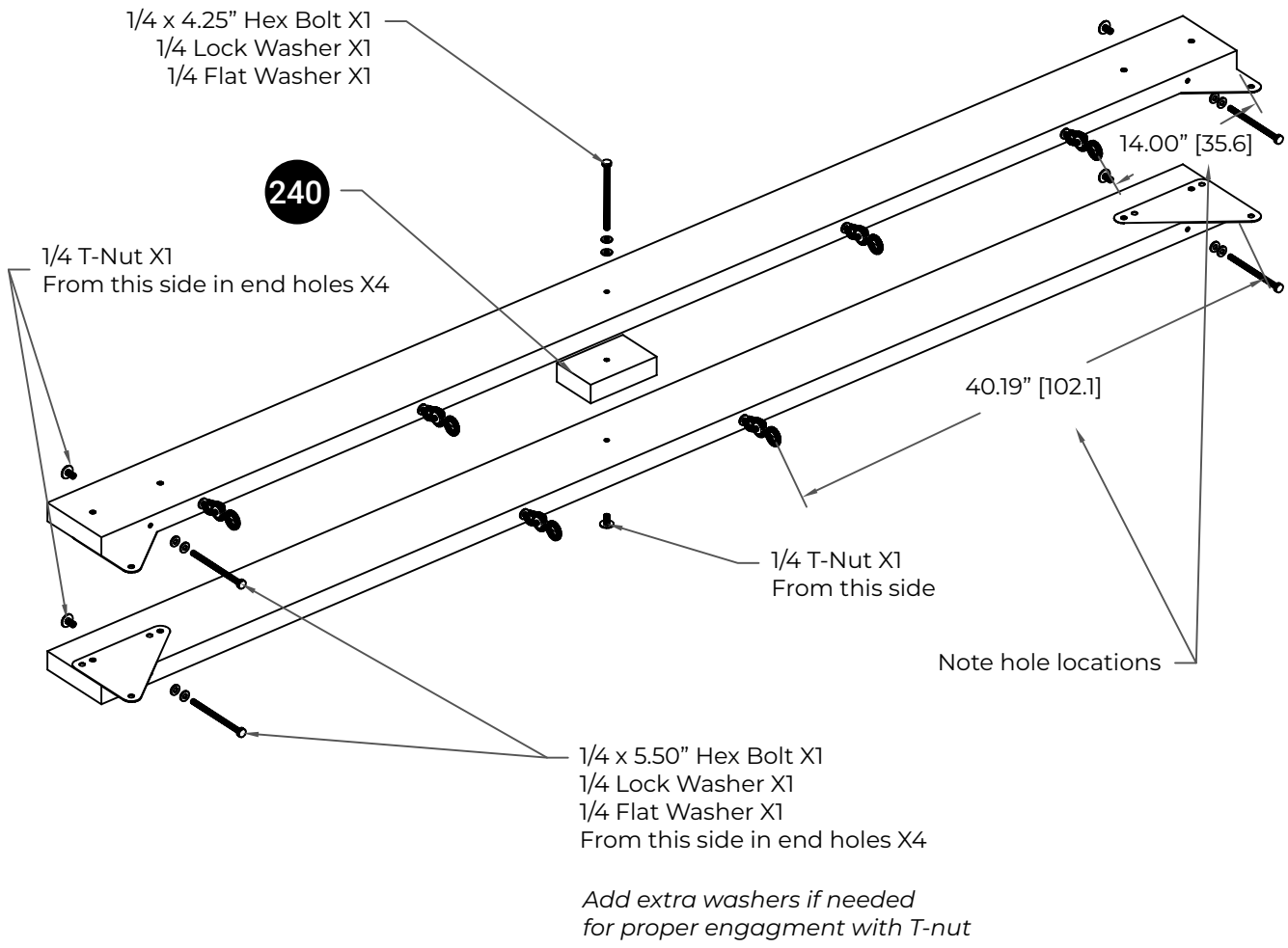


1. Locate and install as shown.

Parts Required:
300 Plate X 4

3

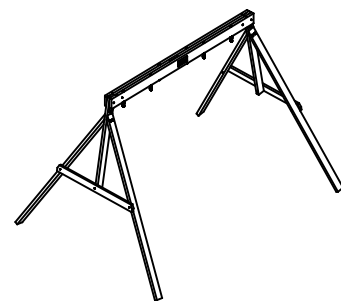
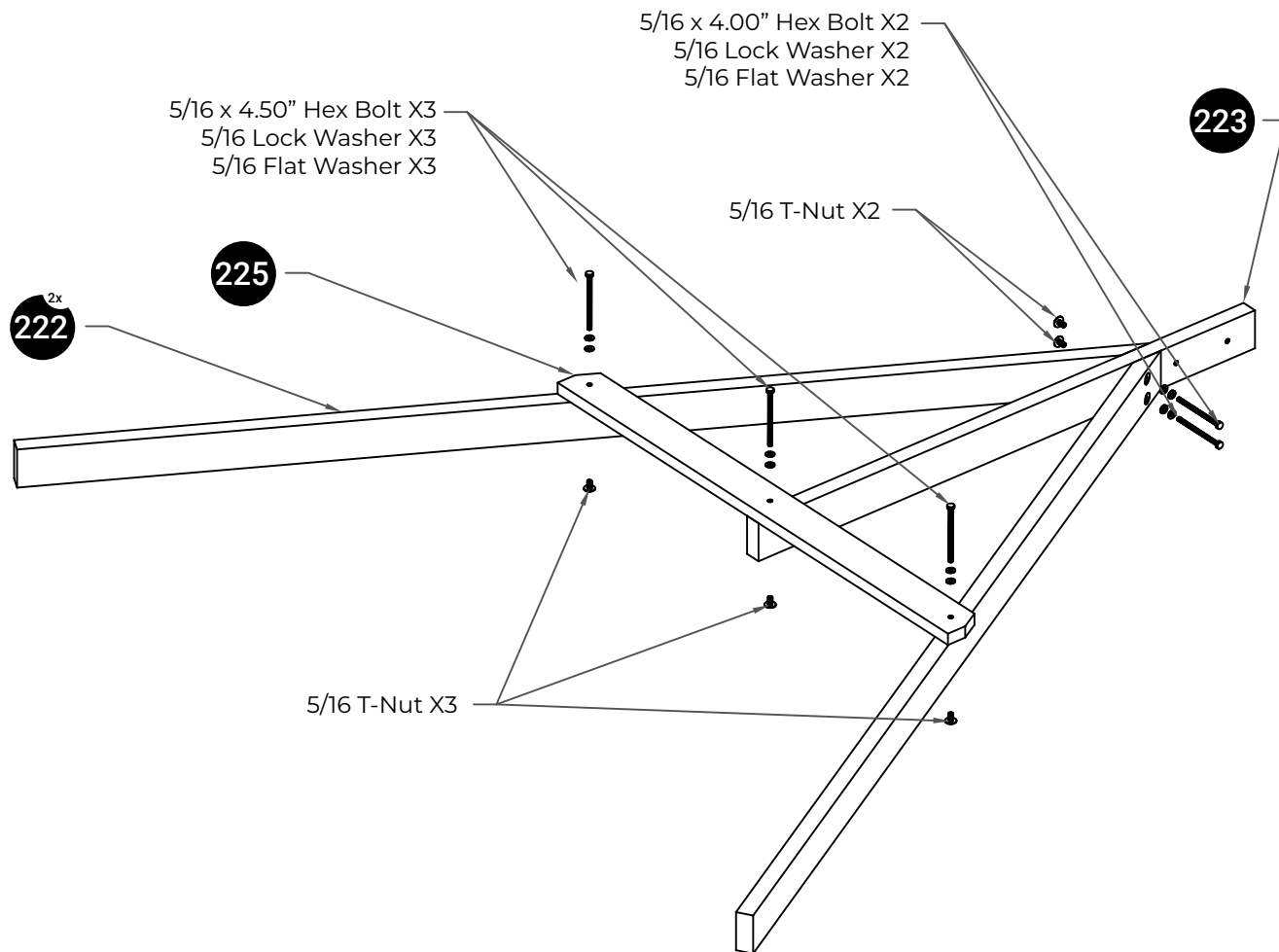
ASSEMBLE BEAMS



1. Locate and install parts as shown.

Parts Required:
224 X 1

A FRAME

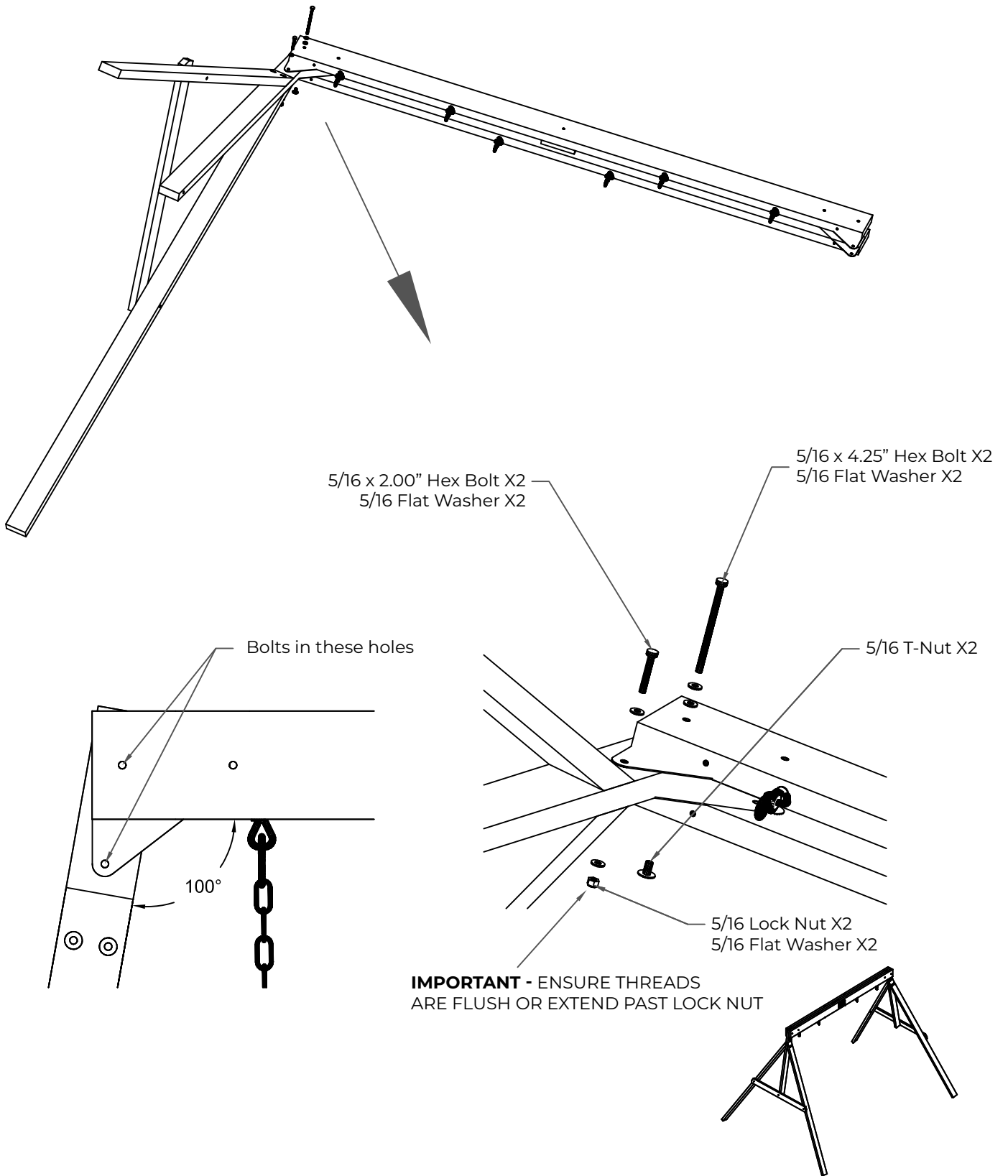


1. Locate and install parts as shown.

Parts Required:

222 X 2	225 X 5
223 X 1	

ASSEMBLE FRAMES & BEAMS

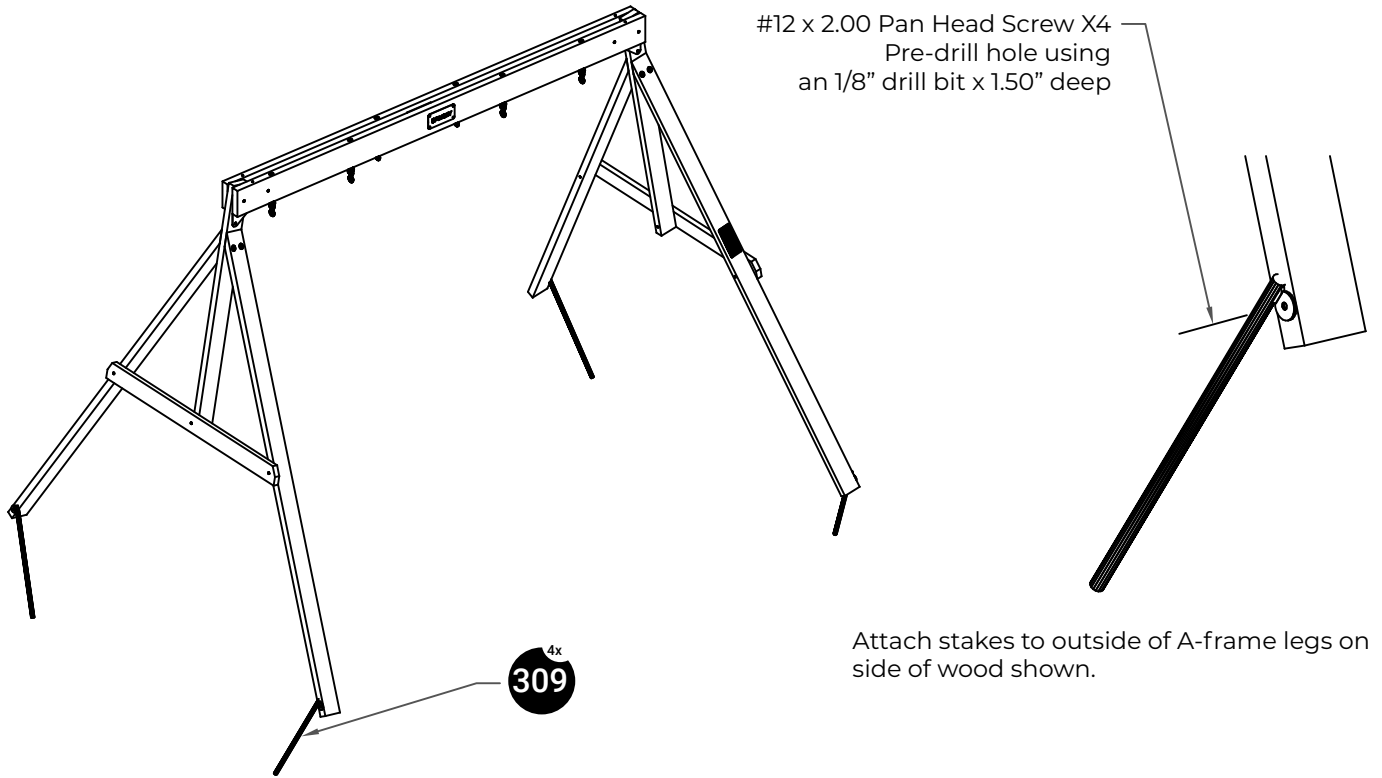


1. Attach parts as shown

Parts Required:
Beam Assembly X 2
A-Frame Assembly X 8

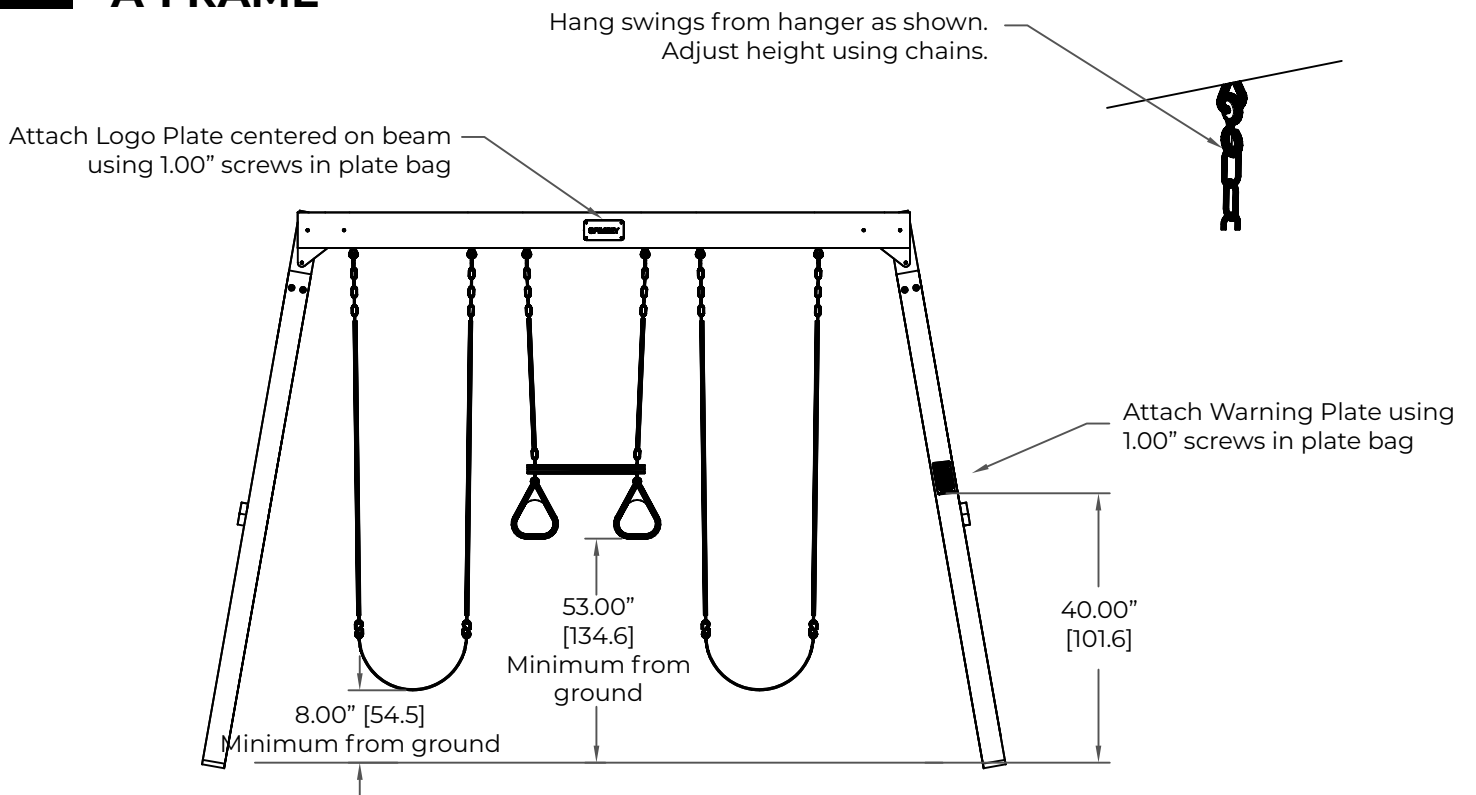
6

A-FRAME



7

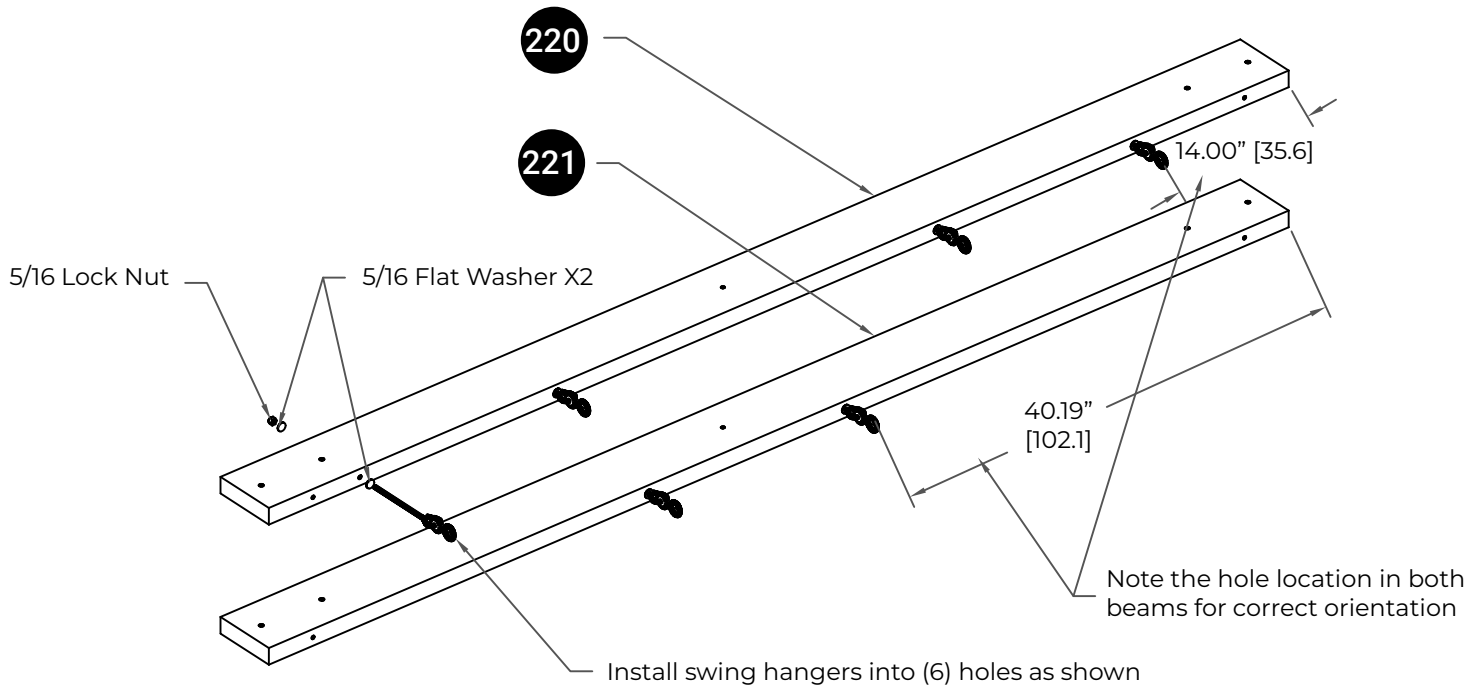
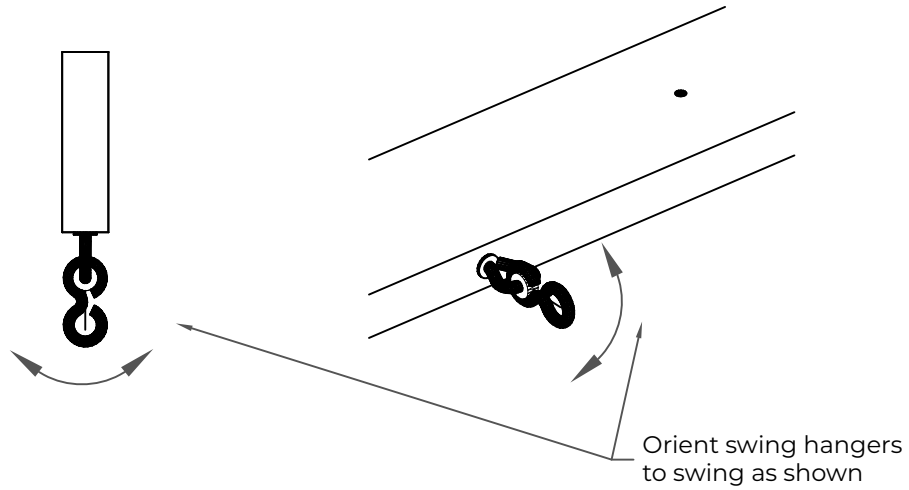
A-FRAME



1. Attach parts as shown

Parts Required:
309 Ground Stakes X 4

SWING HANGERS

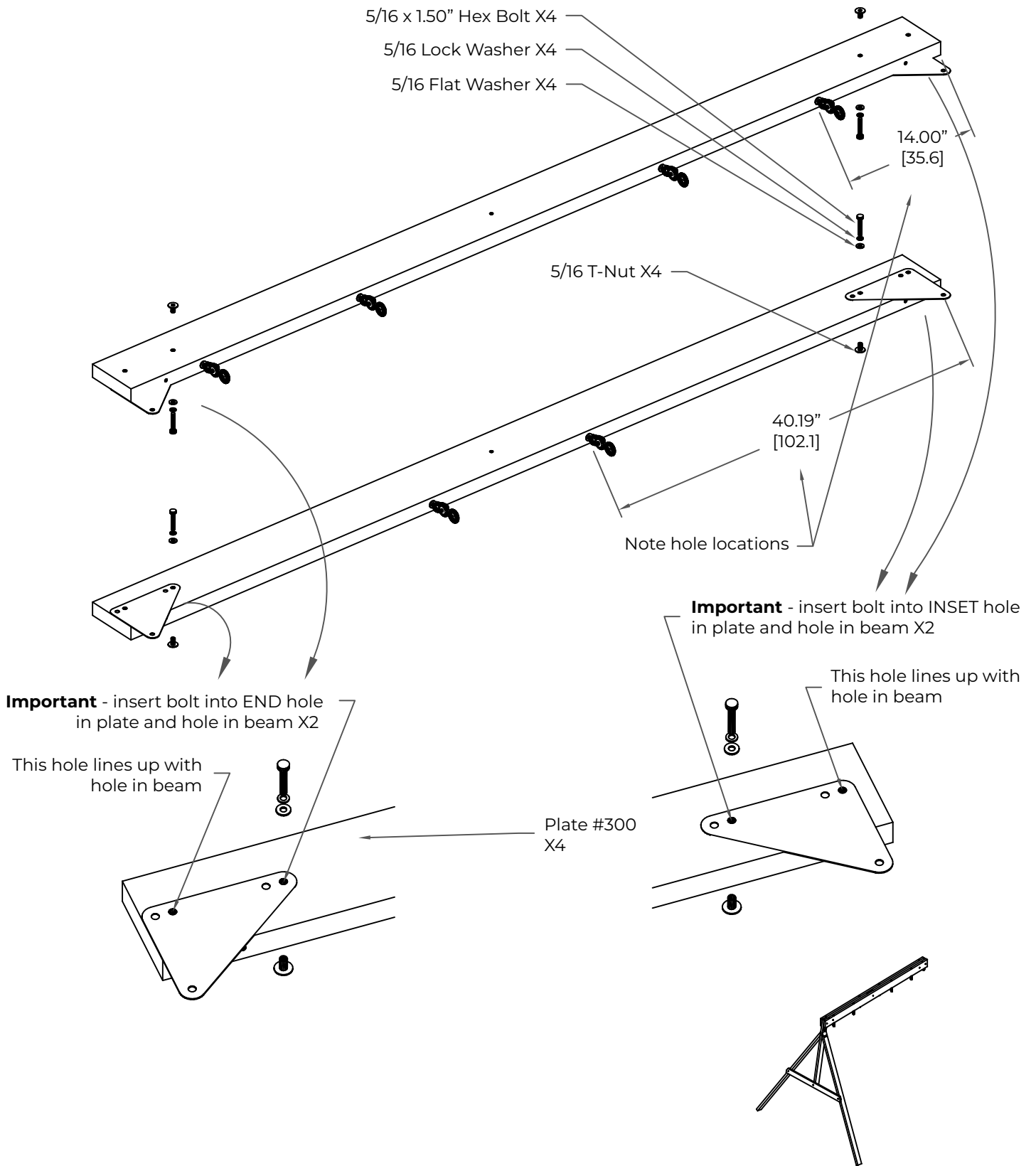


1. Locate and install parts as shown.
2. Make sure to orient hangers as shown.

Parts Required:

220 X 1 Swing
221 X 1 Hangers X 6

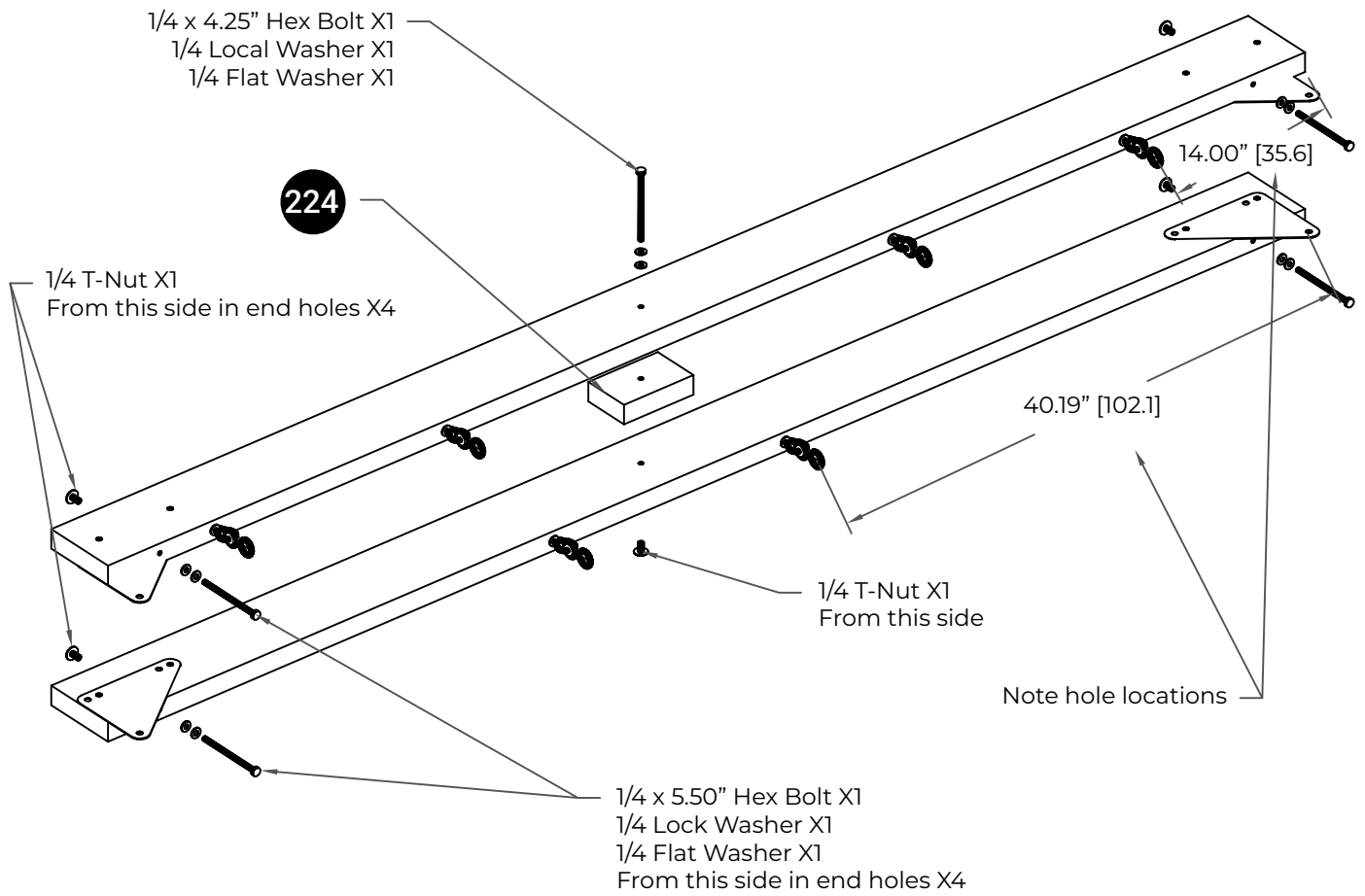
BEAM PLATES



1. Locate and install parts as shown.

Parts Required:
300 Plate X4

ASSEMBLE BEAMS



Add extra washer if needed
for proper engagement with T-Nut

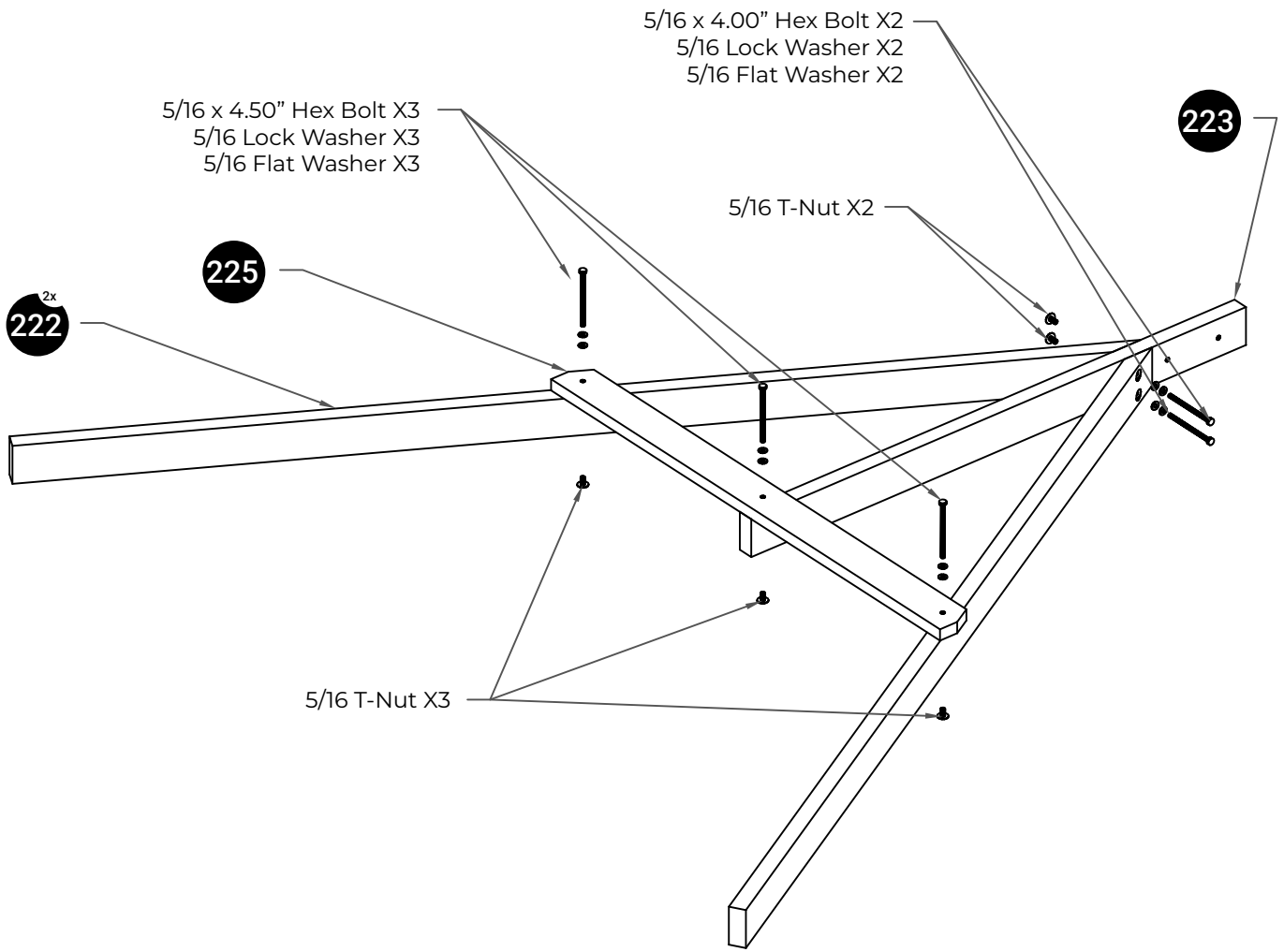


1. Locate and install parts as shown.

Parts Required:

224 X 1

A-FRAME

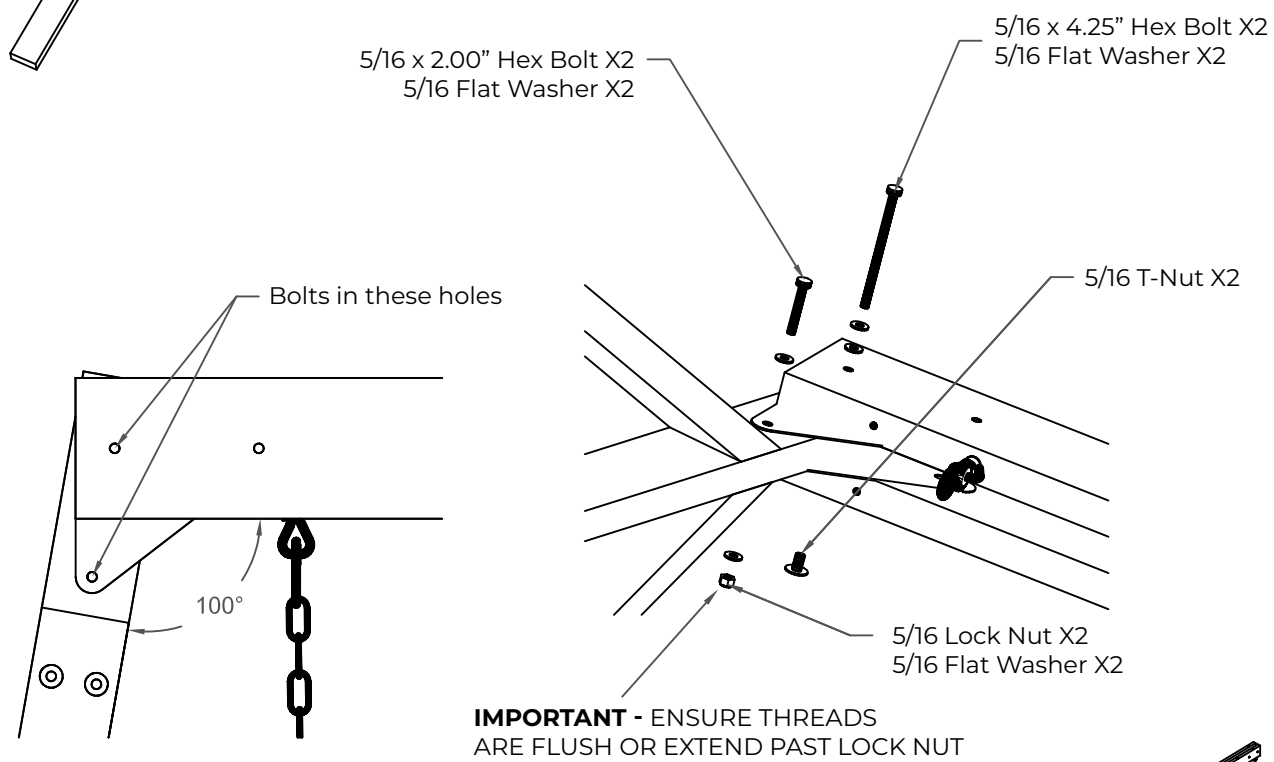
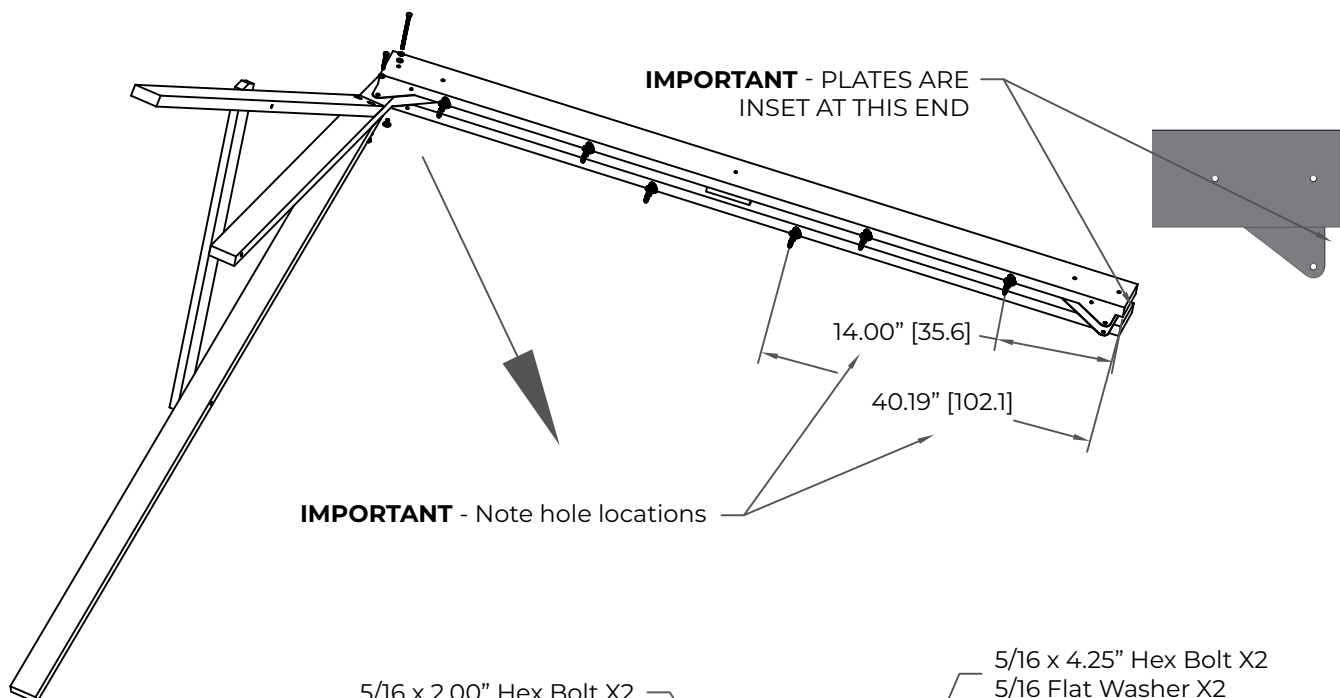


1. Locate and install parts as shown.

Parts Required:

222 X2	225 X 1
223 X 1	

ASSEMBLE FRAMES & BEAM



IMPORTANT - REFER TO THE PLAY DECK XXL INSTRUCTIONS FOR ATTACHING THE SWING BEAM TO THE DECK UPRIGHT



<p>1. Locate and install parts as shown.</p>	<p>Parts Required: Beam Assembly X1 A-Frame Assembly X1</p>
--	--

