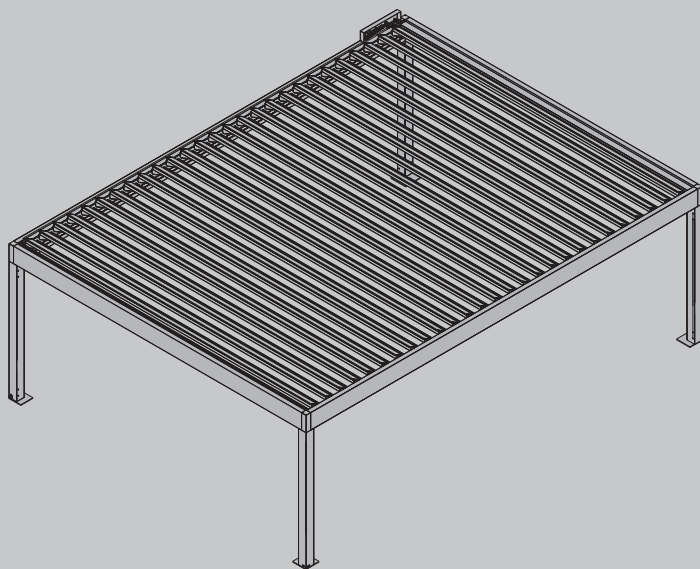


# Instruction manual

PAVILION

BAVONA TP6500 Hard-Top



Read the instruction manual before starting any work!  
Keep for future use!

STOBAG North America Corporation  
1445 Norjohn Ct Burlington  
ON L7L 0E6 Canada  
Tel. +1 905 564 6111  
Fax +1 905 564 3512

[info.northamerica@stobag.com](mailto:info.northamerica@stobag.com)

## Information regarding the instruction manual

This manual contains important information for dealing with the pavilions and the atrium shade. Read the instructions in its entirety before operating the Pavilion or Atrium shade in order to prevent danger to persons and damage.

The illustrations in this manual serve for the purpose of general understanding and may differ from the actual design.

## Additional documents

The following documents are applicable when using optional accessories:

- Instruction manual for the remote control
- Instruction manual for the wind sensor
- Instruction manual for the rain sensor
- Instruction manual for LED lighting
- Instruction manual for the temperature sensor

## Copyright

All contents of this manual are the intellectual property of STOBAG AG and are subject to the protection of copyright. In case of infringement, STOBAG AG reserves the right to pursue legal action.

## Limitations of liability

STOBAG AG assumes no liability for damages in the following:

- Failure to follow these instructions
- Unauthorized assembly and connection
- Failure to observe snow load or wind load limits
- Unintended use
- Technical changes
- Any damage caused by the use of unsuitable cleaning agents

## Customer service

STOBAG North America Corporation

1445 Norjohn Ct Burlington

ON L7L 0E6 Canada

Tel. +1 905 564 6111

[info.northamerica@stobag.com](mailto:info.northamerica@stobag.com)



# Contents

<b>1. Safety</b> .....	<b>9</b>
1.1 Intended Use .....	9
1.2 Unintended use .....	9
1.3 Explanation of symbols .....	11
1.4 Safety instructions .....	13
1.5 Wind and snow loads .....	15
<b>2. Getting to know the pavilion and atrium shade</b> .....	<b>19</b>
2.1 Overview of product types .....	19
2.2 Components .....	22
2.3 Operating modes of the pavilion .....	27
2.4 Key facts about awning fabric rails .....	27
<b>3. Operating the Pavilion and Atrium shade</b> .....	<b>29</b>
3.1 Operation safety instructions .....	29
3.2 Operation .....	30
3.3 Operation during winter and fall .....	33
<b>4. Maintaining the pavilion and atrium shade</b> .....	<b>35</b>
4.1 Cleaning of coated components .....	37
4.2 Cleaning of fabric components .....	37
4.3 Cleaning slat brushes and guide rails .....	38
4.4 Special types of debris .....	39
<b>5. Pavilion and atrium maintenance</b> .....	<b>41</b>
5.1 Maintenance plan .....	42
5.2 Check water channels and drains .....	42
5.3 Check and lubricate slide bearings .....	43
5.4 Check and clean drive actuator rod .....	44

<b>6. Identifying and fixing malfunctions .....</b>	<b>45</b>
<b>7. Disassembly and disposal .....</b>	<b>47</b>
<b>8. Technical data .....</b>	<b>49</b>





# 1. Safety

## 1.1 Intended Use

The Pavilions (BAVONA) and the Atrium shade are used for horizontal roofing or the provision of atrium shade in free-standing or extension variations on or in existing structures. Pavilions are used exclusively for shade and protection from the sun, wind and rain, but are not waterproof. The Hard-Top variants are additionally used to protect against heat and UV radiation.

In order to reduce the risk of an electric shock, the operator must ensure that the power supply is secured with a waterproof socket or that the power supply is permanently connected to a waterproof connection box that is compliant with 314.15 of the National Electricity Code NFPA 70.

Intended use also includes compliance with all information specified in this manual. Any use or other use that goes beyond the specified intended use is deemed as improper use.

## 1.2 Unintended use

Improper use of the products can lead to dangerous situations and damage.

- Do not attach, lean, drill, glue or make any other technical changes to, onto or against the products.
- Exclusively have it connected by a licensed electrician and secure it with its own fuse.
- Never climb up the pavilion or atrium shade or enter slats.
- Never clean components of the product with abrasive, corrosive or aggressive cleaning agents.
- Never allow children to operate the Pavilion or the Atrium shade unattended.
- Grilling and/or operating open flames in the Pavilion, as well as under the Atrium shade is strictly prohibited.

Accidents resulting in serious injuries and property damage may occur during improper transportation.

## Children

The Pavilion or Atrium shade may be used by children aged 9 years and over and by persons with reduced physical, sensory or mental abilities or lack of experience and knowledge if they are supervised or instructed in the safe use of the pavilion and they understand consequential dangers.

Ensure the following:

- Children must not climb on or hang from the pavilion at any time.
- Children must not run or rough-house in or around the vicinity of the pavilion.
- The remote control must be kept out of the reach of children.

## 1.3 Explanation of symbols

### Safety instructions

Safety instructions are indicated by symbols in this manual. The safety instructions are represented by signal words that express the extent of the hazard.

**⚠ DANGER**



**This symbol and signal word combination indicates a dangerous situation that can lead to death or serious injury if not avoided.**

**⚠ WARNING**



**This symbol and signal word combination indicates a dangerous situation that can lead to death or serious injury if not avoided.**

**⚠ CAUTION**



**This symbol and signal word combination indicates a dangerous situation that can result in non-serious or minor injuries if not avoided.**

**NOTICE**

**This signal word indicates important but non safety-relevant information, e.g. on material and environmental damage.**

## Tips and recommendations



**This signal word indicates important but non safety-relevant information, e.g. on material and environmental damage.**

## Guideline Safety instructions

Safety instructions may refer to specific individual instructions for action. Such safety instructions are embedded in the instructions for action so that they do not interrupt the flow of reading when the action is taken. The signal words described above are used.

Example:

1. Loosen screw.
2. **▲ CAUTION** **Danger of clamping on the slats!**  
Close the cap carefully.
3. Tighten screw

## 1.4 Safety instructions

### Electrical hazards

**⚠ DANGER**



#### **Danger to life from electric current!**

- Have all work or repairs on the electric system or drive systems of the pavilion carried out exclusively by a licensed electrician.
- In case of damage to electrical components or lines, immediately shut down the power supply and arrange repair by a licensed electrician.
- Never bridge fuses.
- Keep moisture away from live components.

**Improperly carried out work on the pavilion's electrical system can lead to accidents resulting in serious injuries and even death.**

### Crushing

**⚠ WARNING**



#### **Risk of crushing due to moving slats and optional shades.**

- Never let slats or shades in the radius of movement when opening or closing slats.
- Only operate slats or shades if they are within the visual range.

**Intervention in moving slats or shades can lead to accidents with severe bruises.**

### Risk of eye damage

**⚠ WARNING**



#### **Risk of eye damage due to long direct eye contact with lighting!**

- Do not look directly into the optional LED lighting.

**Constant looking into the switched-on lighting may cause damage to the eyes.**

## Static charges

### **WARNING**



**Risk of injury due to static charges on the awning fabric of shades!**

- **Always dissipate possible charges from the awning fabric by short contact with a non-conductive material.**

**The awning can become statically charged due to movement, low humidity or even due to a new awning fabric of a shade. Contact with the skin can lead to static charges and thus possibly to consequential hazards such as a falling from the ladder.**

## Non-visible range of motion

### **WARNING**



**Risk of accident due to non-visible range of motion!**

- **Only operate slats or shades if they are within the visual range.**

**If slats or shades are operated out of sight, the risk of accidents resulting in injury or damage to property caused by collision is present.**

## Improper disassembly

### **WARNING**



**Risk of injury due to improper disassembly or Switching location!**

- **Disassembly or switching the location must only be carried out by service personnel authorized by STOBAG AG.**

**Improper disassembly or an unauthorized change of location can lead to accidents resulting in serious injuries due to electrical connections, work on ladders and heavy, bulky components.**

## Jamming

### NOTICE

**Risk of damage to the pavilion by foreign objects, animals or foliage!**

- Before performing any operation, make sure that there are no foreign objects (E.g. branches), animals (E.g. bird's nests) on the Pavilion.
- If necessary, remove animals and remove foreign objects.

Foreign objects, foliage, branches and other debris on the Pavilion can cause it to jam and thus become damaged. Animals could become injured.

## Low temperatures

### NOTICE

**Risk of damage to the pavilion due to operation at low temperatures!**

- Before each operation, make sure that the Pavilion is free of ice. If necessary, remove ice.

Operating the pavilion at low temperatures and/or with the presence of ice can lead to damage to slats, shading or the drive system.

## 1.5 Wind and snow loads

### Wind load

#### ⚠ WARNING



**Risk of accidents due to strong wind!**

- Use the pavilion only at wind speeds of up to 64 km/h (34 kn). Do not stay in the pavilion during higher speeds in any case.
- In windy areas with frequent power outages, the manufacturer recommends the use of an emergency generator.
- Secure the pavilion in good time from damage.

The use of the pavilion at higher wind loads than 64 km/h (34 kn) can lead to accidents and damage.

## Wind resistance (slats):

The system meets the requirements of wind resistance class 4 (34 kn) when open or up to 150 km/h (64 kn) when Closed.

In case of strong expected winds (> 34 kn), the pavilion must be secured.

Securing the pavilion:

- Completely close the slats
- Retract optional shades entirely.

## Wind load table

The following table provides an overview of wind strengths and their properties:

Class	Wind force (according to Beaufort)	Wind speeds in km/h/ (kn)	Impact
0	1 – 3	2 km/h – 6 km/h (1 kn – 11 kn)	Leaves and thin branches move
1	4	20 km/h – 30 km/h (11 kn – 16 kn)	Twigs and thin branches move, paper is lifted from the ground.
2	5	30 km/h – 40 km/h (16 kn – 22 kn)	Branches move. Small deciduous trees sway.
3	6	40 km/h – 50 km/h (22 kn – 28 kn)	Strong branches sway and umbrellas are hard to keep upright.
4	7	50 km/h – 64 km/h (28 kn – 34 kn)	Trees sway, strong resistance when walking against the wind.



*When using an optional climate control system (E.g. wind sensor), present wind speeds are measured in real time and when a limit value is reached or exceeded, slats or shades are automatically extended or retracted through a radio signal.*



## Snow load

### **NOTICE**

#### **Danger of collapse of the pavilion due to high snow load!**

- **Move slats to slightly open position.**
- **Clear slats immediately in case of a snow load of 20 lb/ft<sup>2</sup> (100 kg/m<sup>2</sup>).**
- **Never move slats when snow is on it.**

**Too much snow load on the pavilion can severely damage it and can cause it to collapse.**

In case of expected heavy snowfall, the pavilion must be secured.

#### **Securing the pavilion:**

- Open slats (90°) in case of expected snowfall so that snow can fall through.
- In case of expected frost, move the slat position to a slightly open position to prevent freezing of the slats.
- Remove high snow on closed slats immediately  
↳ *“3.4 Operation during winter and fall” on page 33.*

## Snow load table

The following table provides an overview of when the pavilion needs to be cleared:

Snow type	Weight per m <sup>3</sup> /(ft <sup>3</sup> )	Snow height of 100 kg/m <sup>2</sup> / (20 lb/ft <sup>2</sup> )
Dry, loose fresh snow	30 – 50 kg (2 – 3 lb)	ca. 2 – 3 m (6.5 – 10 ft)
Fresh snow	50 – 100 kg (3 – 6 lb)	ca. 1 – 2 m (3.2 – 6.5 ft)
Heavy fresh snow	100 – 200 kg (6 – 12 lb)	approx. 0.5 – 1 m (1.6 – 3.2 ft)
Dry settled snow	200 – 400 kg (12 – 25 lb)	ca. 20 – 35 cm (0.65 – 1.15 ft)
Wet settled snow	300 – 500 kg (18 – 30 lb)	ca. 12 – 20 cm (0.39 – 0.65 ft)
Ice	800 – 900 kg (50 – 55 lb)	ca. 11 – 12 cm (0.36 – 0.39 ft)

## 2. Getting to know the pavilion and atrium shade

### 2.1 Overview of product types

#### Pavilion BAVONA

The pavilion BAVONA consists of an all-round cubic frame with a roof made of swivelling slats (Hard-Top). The construction anchored to the ground is supported in the free-standing position of 4 column profiles. In other mounted positions, the frame can alternatively also be attached to a building support enabling wall or ceiling mounting. The pavilion as a Hard-Top version can be dismantled and can therefore be expanded to up to 10 variants.

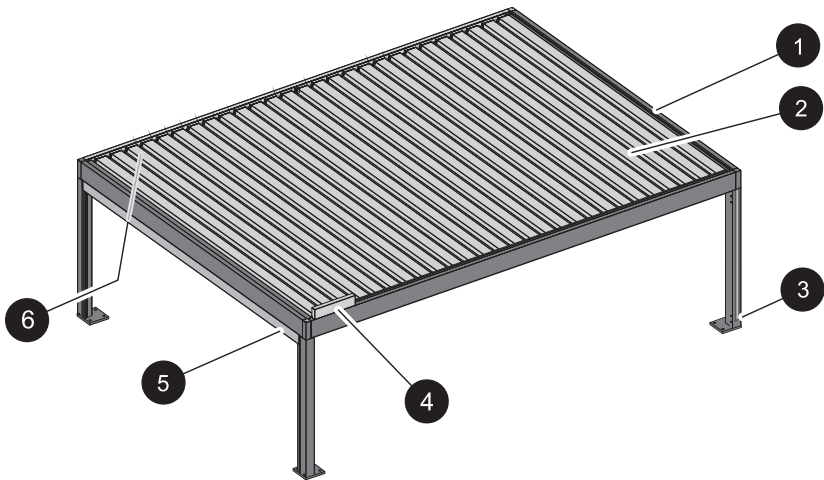
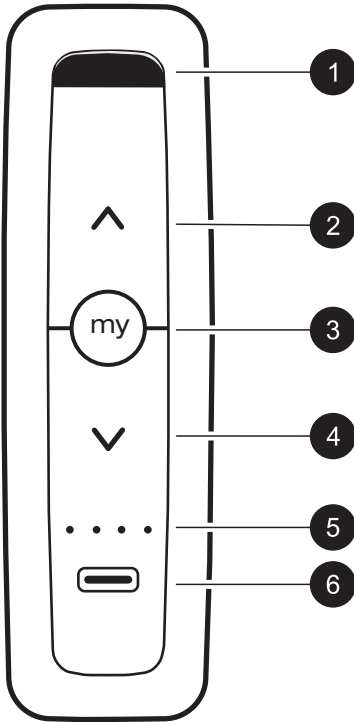


Fig. 1: Overview Pavilion BAVONA

- |                                 |                          |
|---------------------------------|--------------------------|
| 1. Frame                        | 2. Slats                 |
| 3. Water drain                  | 4. Drive system          |
| 5. Optional side or front shade | 6. Optional LED lighting |



## Remote control overview



1 Handle for hanging the remote control

2 Operating button: OPEN (Open)

3 MY Operating button: Stops the moving slats/shades.

Moves slats/shades in accordance with the programmed setting.

4 Operating button: CLOSED (Close)

5 Channel selection diodes

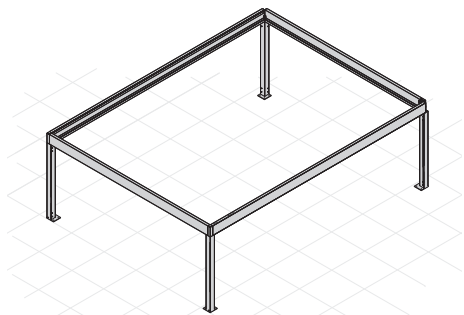
6 Operating button: Select channel

The pavilion is controlled using the remote control. The remote control controls up to four components (E.g. slats, side shade or lighting) of the pavilion individually or several components in up to four groups.

Fig. 3: Remote control

## 2.2 Components

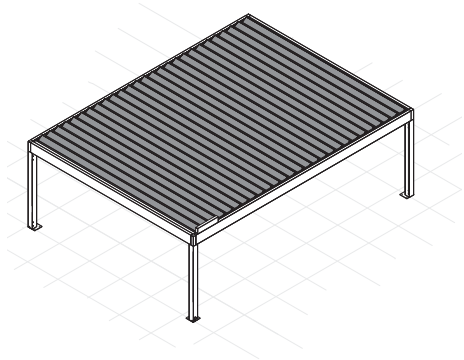
### Frame



*Fig. 4: Frame*

The frame consists of powder-coated, lightweight aluminum frames. The frame is firmly anchored underground with foot units. Depending on local conditions, the frame can also be mounted to the wall, ceiling or with body mounts.

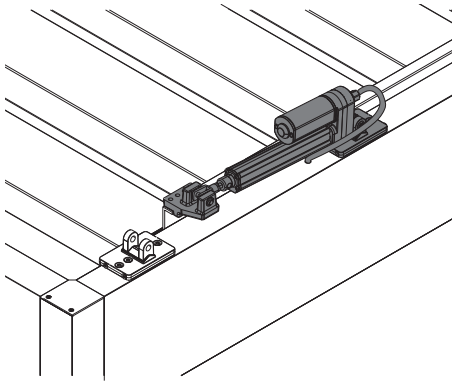
### Slats (Hard-Top)



*Fig. 5: Slats*

The aluminum slats can be swivelled steplessly up to a maximum of  $115^\circ$  with a drive system. In this way, the lighting conditions in the pavilion can be freely configured. When closed, the slat roof serves as rain protection. The slats have a minimal lateral slope to drain the water into the rain gutter. In a slightly open position, heat build-up is prevented by the bioclimatic air circulation. Optionally, individual slats can have an LED lighting strip.

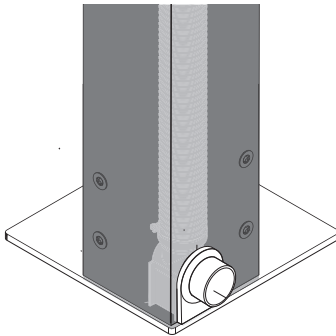
## Drive systems



The slats are driven by a low-noise electric cylinder with a mechanical end stop. The cylinder opens and closes the slats via a carrier to which all slats are connected.

*Fig. 6: Drive systems*

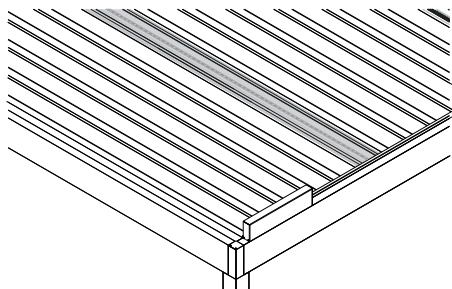
## Water drain



The rainwater flows into the circumferential water gutter across the slats which have a slight gradient. The rainwater flows from there into the supports and is discharged at the level of the foot consoles or through the support below.

*Fig. 7: Water drain*

### LED lighting in the slats (optional)

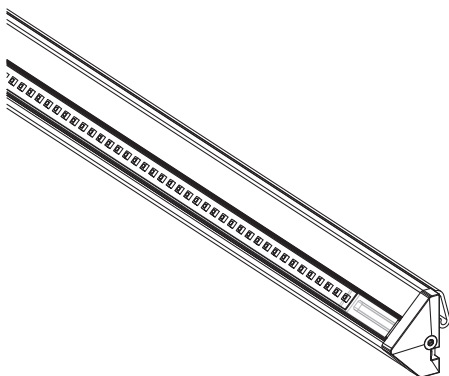


The LED lighting is used to illuminate the interior of the pavilion. Up to three slats can be equipped with light. The light slat position is freely configurable.

There are grooves in the slat in which the white LED strip light (warm white) is installed. The light strip is covered with a plastic reflector. The lighting is controlled by the remote control.

*Fig. 8: LED lighting (slats)*

### Water channel LED lighting (optional)



The adaptive LED lighting is used to illuminate the interior of the pavilion. The lighting rails can be optionally connected to 2 or 4 sides of the pavilion with a clip system on the water channel. The orientation of the adaptive lighting rails can be freely configured directly with illumination of the pavilion interior or indirectly with lighting of the pavilion roof. The lighting is controlled using the remote control.

*Fig. 9: LED lighting (water channel)*



### Wind sensor (optional)

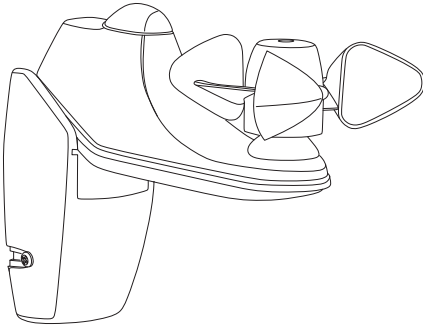


Fig. 10: Wind sensor

The wind sensor is a climate sensor with an integrated radio transmitter. The wind sensor is mounted on or in the immediate vicinity of the pavilion and connected to the power grid. The wind sensor measures the wind speed in real time. If the measured value reaches or exceeds a previously configured input limit value, the sensor transmits a radio signal to the receiver of the drive motor of the pavilion. The drive motor then performs the corresponding action and closes the slats.

### Rain sensor (optional)

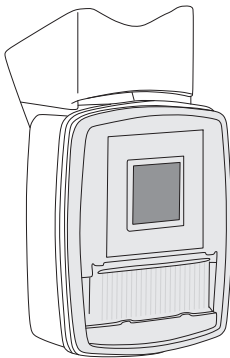
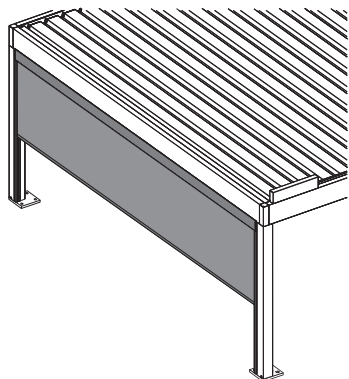


Fig. 11: Rain sensor

The rain sensor is a climate sensor with an integrated radio transmitter. The rain sensor is mounted on or in the immediate vicinity of the pavilion and connected to the power grid. The rain sensor measures precipitation in real time. If the measured value exceeds or falls below a previously configured input limit, the sensor transmits a radio signal to the receiver of the drive motor of the pavilion. The drive motor then performs the corresponding action and closes the slats.

### Side and front shades (optional)



*Fig. 12: Side and front shading*

The optional side and front shades are integrated vertical awnings in standard or surface-mounted positions. The shades are electrically operated via the handheld remote control.

## 2.3 Operating modes of the pavilion

### Remote control

The slats and the optional lighting and side and front shades are operated manually using the remote control.

### Automated using sensor control (optional)

Automated sensor control of the slats is controlled by configured sensor measurements (of wind, rain, sun or temperature). If previously set limits are reached or exceeded by the sensors, they send control commands to the drive system through radio signals.

## 2.4 Key facts about awning fabric rails

Fabrics of the optional shades may have certain characteristics made during production and manufacture which may be perceived as 'defects' by the user. The "appearances" listed below are for the information of users.

### Fold and crease wrinkles

Folds and creases are formed during the assembly and the folding of the awning fabric. This can cause pigment displacement, especially with bright colors. These pigments can appear darker in the backlight and can be perceived as dirt strips.

### Rippling

Ripples of the awning fabric are created in the hem, seam and web area by multiple layers and due to various winding thicknesses on the fabric shaft. This can cause ripple stresses (e.g. waffle-shaped or herringbone patterns).

## **Side rail extensions**

Side rail extensions of the optional shades occur when the fabric is rolled up, when the seams and hems lie on top of each other, are pressed smoothly together, which thus increases its length. This can cause the side fringes to hang slightly when the optional side and front shade is retracted.

## 3. Operating the Pavilion and Atrium shade

### 3.1 Operation safety instructions

#### Wind load

#### WARNING



#### Risk of accident due to strong wind!

- Use the pavilion only up to wind speeds of 64 km/h (34 kn). Do not stay in the pavilion during higher speeds in any case.
- In windy areas with frequent power outages, the manufacturer recommends the use of an emergency generator.
- Secure the pavilion in good time from damage.

The use of the pavilion at higher wind loads than 64 km/h (34 kn) can lead to accidents and damage.

#### Jamming

#### NOTICE

#### Risk of damage to the pavilion by foreign objects, animals or foliage!

- Before performing any operation, make sure that there are no foreign objects (E.g. branches), animals (E.g. bird's nests) on the pavilion.
- If necessary, remove animals and remove foreign objects.

Foreign objects, foliage, branches or other debris on the pavilion can cause jamming and thus damage. Animals can be injured.

#### Low temperatures

#### NOTICE

#### Risk of damage to the pavilion due to operation at low temperatures!

- Before each operation, make sure that the pavilion is free of ice. If necessary, remove ice.

Operation of the pavilion at low temperatures and/or icing can lead to damage to slats, shades or the drive.

## 3.2 Operation






The shades are electrically controlled by the remote control. Manual mechanical operation is not possible. For information on optional operation via a smartphone or tablet, see the respective instruction manual.



Fig. 13: Remote control



### Operating slats



The Operating buttons do not have a deadman switch. The slats always move after pressing the respective buttons OPEN (open)  / and CLOSE (close)  until the respective set end position. Alternatively, the slats automatically move to, or stop at, a previously set position by pressing the MY  button.





For more information on programming the MY  button, see the manual of the remote control.

1. Make sure there is nothing against or on the slats.
2. Use the channel selection button  on the remote control to select the channel for the operation of the slats.
  - ➔ The diode of the selected channel will flash red.
3. Press the OPEN  button to open the slats.
  - ➔ The slats will move into their final position (115°).





4. To stop the moving slats at an earlier position, press the MY  button.  
→ *Stopping the slats.*
5. Set any angle of the slats.
6. To retract or close the slats, press the CLOSE  button.

## Optional operating modes

### Controlling optional lighting

1. Use the channel selection button  on the remote control to select the lighting channel.
2. Press the OPEN  button to set the lighting.
3. Press the MY  button to set the lighting at the previously set value.
4. Press the CLOSE  button to turn off the lighting.

### Controlling optional side and front shades

1. Make sure there are no items on the shade.
2. Use the channel selection button  on the remote control to select the channel for the respective shade.  
→ *The diode of the selected channel will flash red.*
3. Press the OPEN button (start up)  to open the shade.  
→ *The shade will open up to the set position or open completely.*
4. To stop the moving shade beforehand, press the MY  button.  
→ *The shade will stop in the desired position.*
5. Set any position of the shade.
6. To retract the shade, press the CLOSE (Close)  button.

## Automated operation

A wide range of optional variants are available for automated control and operation via a climate control center (rain, wind, snow and temperature sensors) or for lighting settings of the pavilion. Information on all options is available from the manufacturer. The operation of the respective possible option is always described in the respective user manual.

### **NOTICE**

#### **Damage to the pavilion due to unintentional automatic driving of the slats!**

- **In case of a prolonged absence (holiday or weekend) close slats.**
- **Turn off automatic mode in winter and during stormy months.**

**Unintentional automatic opening/closing of the slats, e.g. in the event of frost, can cause significant damage. Failure of automatic control is possible under extreme weather conditions (E.g. power outages, defects or sudden storms).**



### 3.3 Operation during winter and fall

#### Unwanted automated moving of the slats

##### **WARNING**



**Risk of injury due to unintentional automatic operation!**

- Before all work on slats or shades, always switch off the power of the pavilion using the fuse.
- Secure the fuse box against unauthorized insertion of fuses.

An optionally installed climate system (e.g. wind or rain sensor) can lead to automated driving of slats or shades, which can lead to accidents resulting serious injuries.

#### Clear the pavilion of foliage

##### **WARNING**



**Risk of accident due to careless clearing of foliage!**

- Before working on ladders and/or platforms, make sure that the ground is suitable, firm and stable.
- For all work on ladders, always have them secured by another person.
- Ensure that ladders or platforms are completely intact and are of sufficiently elevated.
- Do not lean in front of the ladder above the pavilion roof, turn on the ladder or climb onto the pavilion.
- Wear non-slip shoes.

**Careless working on ladders or platforms can cause falling resulting in accidents and serious injury.**

1. Turn off the pavilion's fuse, thereby switching off the power of the pavilion.
2. Securely set up the ladder or platform and have it secured by a second person.
3. Carefully sweep or suck off foliage and branches from the slatted roof.
4. Gradually change the position of the ladder until the entire pavilion roof has been cleared.

## Clearing the pavilion during winter

### **WARNING**



#### **Risk of accident due to careless clearing of snow!**

- **Before working on ladders and/or platforms, make sure that the ground is suitable, firm and stable.**
- **For all work on ladders, always have them secured by another person.**
- **Only clear snow in such a way that no one gets injured.**
- **Ensure that ladders or platforms are completely intact and sufficiently elevated.**
- **Do not lean in front of the ladder above the pavilion roof, turn on the ladder or climb onto the pavilion.**
- **Wear non-slip shoes.**

#### **Careless clearing on ladders or platforms can cause falling resulting in accidents and serious injuries.**

1. Turn off the pavilion's fuse, thereby switching off the power of the pavilion.
2. Clear snow around the pavilion.
3. If necessary, grit icy areas and carefully remove icicles.
4. Securely set up the ladder or platform and have it secured by a second person.
5. Carefully sweep, push or blow off the snow from the slatted roof.
6. Gradually change the position of the ladder until the entire pavilion roof has been cleared.

## 4. Maintaining the pavilion and atrium shade

Proper, regular maintenance of the pavilion as well as the use of original spare parts are essential for trouble-free operation and a long service life. The manufacturer recommends quarterly cleaning.

### Unwanted automatic driving of the slats

#### **WARNING**



#### **Risk of injury due to unintentional automatic operation!**

- Before all work on slats or shades, always switch off the power of the pavilion using the fuse.
- Secure the fuse box against unauthorized insertion of fuses.

An optionally installed climate system (e.g. wind or rain sensor) can automatically drive slats or shades. This can lead to accidents and serious injuries.

### Falling

#### **WARNING**



#### **Risk of accident due to elevated work!**

- Before working on ladders and/or platforms, make sure that the ground is suitable, firm and stable.
- Never use chairs or tables as climbing aids.
- For all work on ladders, always have them secured by another person.
- Ensure that ladders or platforms are completely intact and sufficiently elevated.
- Do not lean far above the pavilion roof from the ladder, turn on the ladder or climb onto the pavilion.
- Wear non-slip shoes.

Careless working on ladders or platforms can cause accidents and serious injury.

## Static charges

### **⚠ WARNING**



#### **Risk of injury due to static charges on the awning fabric!**

- **Always dissipate possible charges from the awning fabric of the shade by short contact with a non-conductive material.**

**The awning can become statically charged due to movement, low humidity or even due to a new awning fabric. Contact with the skin can lead to static discharges and thus possibly to consequential hazards such as falling from the ladder.**

## Improper cleaning

### **NOTICE**

#### **Property damage due to improper cleaning!**

- **Do not use a high-pressure cleaner for cleaning.**
- **Do not use abrasive detergents or abrasive sponges.**
- **Do not use corrosive or flammable detergents.**
- **Do not use solvents such as alcohol or petrol.**
- **Never hold on to slats or awnings during cleaning.**

**Improper cleaning can cause considerable damage to the pavilion.**

## Environmental protection

### **NOTICE**

**For the sake of the environment, use only water-soluble and environmentally friendly detergents. Always observe the manufacturer's specifications.**

## 4.1 Cleaning of coated components

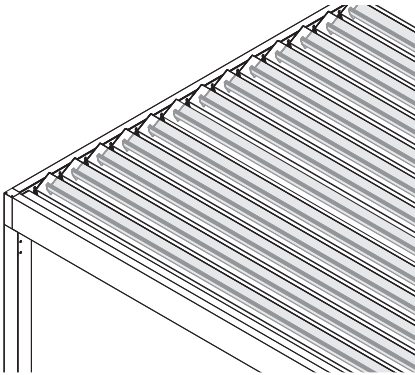


Fig. 14: Clean coated components

In order to remove general dirt from the frame, and to remove it from the slats, proceed as follows:

1. Switch off the pavilion's fuse, thereby switching off the power of the pavilion. Secure against unauthorized switching on.
2. Sweep or blow off loose dirt.
3. Moisturize the pavilion with clear water from a garden hose.
4. Clean or soak surfaces with approx 90 °F warm water and mild, non-abrasive, environmentally friendly surface cleaner and a soft cloth.
5. If necessary, wash off dissolved dirt with clear water and rinse off cleaning agent completely.

## 4.2 Cleaning of fabric components

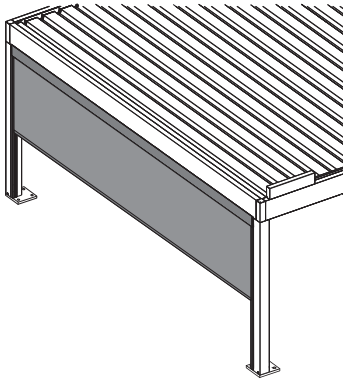


Fig. 15: Cleaning fabric components

To remove general dirt from fabric parts such as optional shades, proceed as follows:

1. Turn off the pavilion's fuse, thereby switching off the power of the pavilion. Secure against unauthorized switching on.
2. Carefully sweep or blow off loose dirt.
3. Use a garden hose to moisten the shading with clear water.
4. Brush or erase surfaces with approx 90 °F warm water and mild, non-abrasive, environmentally friendly surface cleaner (5%) and a soft cloth.
5. If necessary, wash off dissolved dirt with clear water and rinse off cleaning agent completely.
6. If necessary, repeat the cleaning process.

### 4.3 Cleaning slat brushes and guide rails

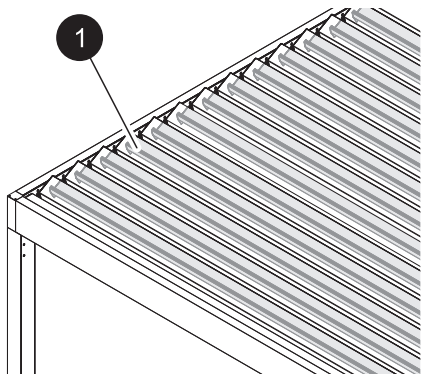


Fig. 16: Cleaning the slat brushes

To clean the slat brushes and guide rails, proceed as follows:

1. Extend slats.  
↳ “3.2 Operation” on page 30
2. Turn off the pavilion’s fuse, thereby switching off the power of the pavilion. Secure fuse against unauthorized switching on.
3. Using a soft brush or a damp cloth, carefully brush off the brush strips (Fig. 16/1) on each slat.

## 4.4 Special types of debris

The following are types of contamination that require special cleaning instructions.

### Pollen

1. Sweep or wipe pollen from all coated components.
2. Vacuum the pollen from all parts of the fabric with a vacuum cleaner with a upholstery brush attachment or carefully lift it with adhesive tape.

### Discoloration and stains!

**NOTICE**

**Never remove pollen by rubbing. This can lead to stains and/or discoloration.**

### Bird droppings (fresh)

Bird droppings and UV radiation cause burns and damage coated surfaces and discolor fabric parts.

1. Immediately pick up fresh bird droppings with a damp cloth.
2. Clean leftovers just as the beforementioned  
↳ *"4. Maintaining the pavilion and atrium shade" on page 35.*

### Bird droppings (dried)

Dried bird dropping are difficult to remove. In order not to damage the pavilion and its surfaces, proceed as follows:

1. Soak absorbent paper or cloth in warm water, place on the soiled area and leave to soak.
2. Pick up dissolved bird droppings with a soft cloth and wipe dry.
3. Clean leftovers as previously described ↳ *"4. Maintaining the pavilion and atrium shade" on page 35.*

## Tree resin

### **NOTICE**

#### **Risk of damage due to removal of tree resin!**

- **Proceed very carefully with all cleaning agents.**
- **Use only solvent-free detergents.**
- **Test the detergent in an inconspicuous place beforehand.**
- **Always observe and follow the manufacturer's specifications.**

**Tree resin is not water soluble and requires sharp, alkaline detergents that cause permanent damage to fabrics or coated surfaces.**

## Environmental protection

### **NOTICE**

**For the sake of the environment, use only water-soluble and environmentally friendly detergents. Always observe the manufacturer's specifications.**



## 5. Pavilion and atrium maintenance

### Safety instructions for maintenance

#### **WARNING**



**Risk of injury due to improperly carried out maintenance work!**

- **Before all works, shut down the pavilion and disconnect it from the power grid.**
- **Re-screw in all previously loosened screws and screw them tightly.**
- **For all work on ladders, always have them secured by another person.**
- **Ensure that ladders or platforms are completely intact and sufficiently elevated.**
- **Wear non-slip shoes.**
- **After completion of the maintenance work, remove all tools and aids.**

**Careless working on ladders or platforms can result in falling and cause accidents and serious injury.**

#### **NOTICE**

**Risk of damage due to non-compliance with maintenance intervals!**

- **Perform cleaning and testing according to interval.**
- **Have all repair work carried out exclusively by a specialist company.**

**Failure to maintain maintenance intervals can lead to increased wear and thus damage.**

## 5.1 Maintenance plan

Interval	Snow height of 100 kg/m <sup>2</sup> / (2373 lb/ft <sup>2</sup> )
every 3 months	Cleaning ↪ “4. Maintaining the pavilion and atrium shade” on page 35
	Check water channels and drains ↪ “5.2 Check water channels and drains” on page 42
	Check protective caps
annually	Check the fastening screws of the wall or ceiling brackets, if necessary, retighten them
	Check and lubricate slide bearings ↪ “5.3 Check and lubricate slide bearings” on page 43
	Check and clean drive actuator rod ↪ “5.4 Check and clean drive actuator rod” on page 44

## 5.2 Check water channels and drains

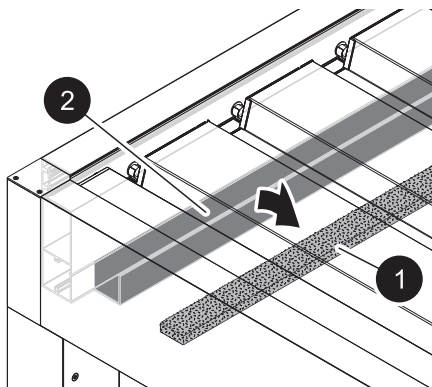


Fig. 17: Rainwater Channel

1. Turn off the pavilion's fuse, thereby switching off the power of the pavilion. Secure against unauthorized switching on.
2. Remove mesh foam (Fig. 17/1) from rain gutters (Fig. 17/2) and clean with garden hose and flush with clear water.
3. Rinse the rain gutter with garden hose and remove dirt with a sponge or cloth.

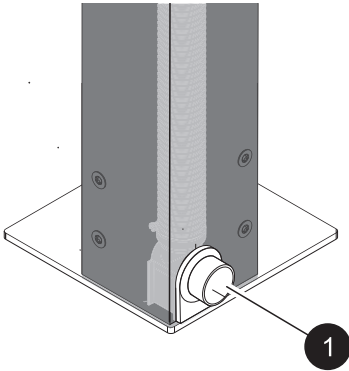


Fig. 18: Cleaning the water drain

4. Check the water drain in the nozzle or nozzles (Fig. 18/1) for smooth outlet, if necessary, remove any dirt from the outlet.
5. Place the mesh foam back into the rain gutter.

### 5.3 Check and lubricate slide bearings

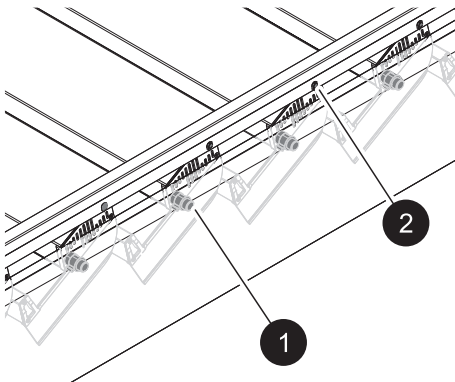


Fig. 19: Slide bearings

1. Extended slats completely  
 ↳ “3.2 Operation” on page 30.
2. Turn off the pavilion’s fuse, thereby switching off the power of the pavilion. Secure against unauthorized switching on.
3. Lubricate left and right pivot points (Fig. 17/1) of all slats.
4. Lubricate the pivot point on the driving pin (Fig. 17/2).

## 5.4 Check and clean drive actuator rod

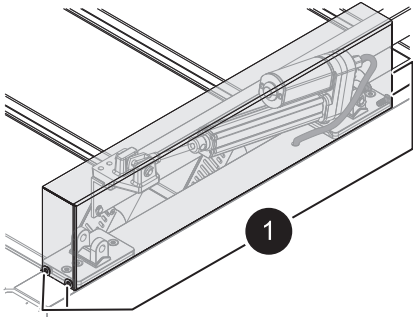


Fig. 20: Losen screws

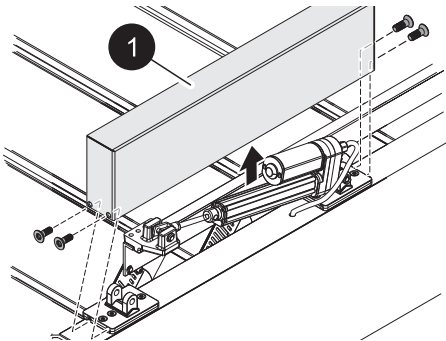


Fig. 21: Remove motor protection cover

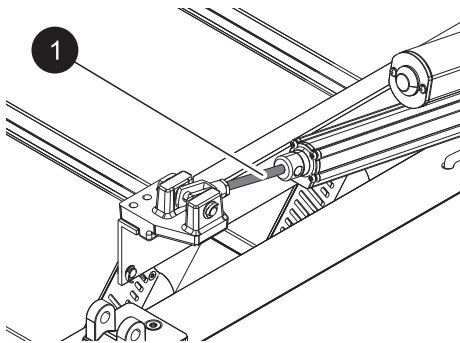


Fig. 22: Check piston rod

1. Extended slats completely  
↳ "3.2 Operation" on page 30.  
→ The drive actuator rod is completely extended.
2. Turn off the pavilion's fuse, thereby switching off the pavilion. Secure against unauthorized switching on.
3. Disassemble the actuator protection cover. For this purpose loosen the four hexagon socket screws (Fig. 20/1) and store them.
4. Remove actuator protection cover (Abb. 21/1)
5. Check the drive motor for contamination and, if necessary, clean it.
6. Check piston rod (Fig. 22/1) for damage and dirt, if necessary remove dirt with a soft, lint-free cloth.
7. Fit and screw on the actuator protection cover.

## 6. Identifying and fixing malfunctions

Error Description	Cause	Cause/Remediation
Rainwater in the pavilion	Water drain clogged	Checking water channels and drains ↳ "5.2 Check water channels and drains" on page 42
	End positions not reached	Have personnel authorized by manufacturer check end positions and switch-off points
Slats/shades not moving	battery in the remote control empty	Change battery ↳ „Instruction manual Remote control“
	Wrong channel selected on remote control	Select corresponding channel with channel selection button
	Energy supply disrupted	Have malfunction rectified by licensed electrician
	Defective motor	Replace motor by authorized personnel of the manufacturer.
	Guide rails dirty	Clean guide rails ↳ "4.3 Cleaning slat brushes and guide rails" on page 38
End positions can not be reached	Guide rails dirty	Clean guide rails ↳ "4.3 Cleaning slat brushes and guide rails" on page 38
	Piston rod damaged	Replace motor by authorized personnel of the manufacturer.
Optional lighting	Defective remote control	Replace remote control
	battery in the remote control empty	Replace battery
	Wrong channel selected on the remote control	Select the corresponding channel by pressing the channel selection button.
	No power connection	Have malfunction inspected by licensed electrician No power connection
Motor not running	Thermal protection tripped.	Wait 20 minutes, until thermal protection is inactive.



## 7. Disassembly and disposal

### Improper disassembly

**⚠ WARNING**



**Risk of injury due to improper disassembly!**

- Disassembly work may only be carried out by personnel authorised and commissioned by the manufacturer.

Improper disassembly increases the risk of injury due to high, bulky and heavy components.

### Disposal

**NOTICE**

**Danger to the environment due to improper disposal!**

- Collect plastics, metals, cables, batteries, awning fabrics, glass as well as electrical and electronic components separately.
- Collect plastics, metals, cables, batteries, awning materials, glass and electrical and electronic components and recycle them in accordance with local regulations.
- In case of doubt, obtain information from the local authorities or special disposal companies.

### Battery of the remote control

**NOTICE**

**Danger to the environment due to incorrect disposal of the battery from the remote control!**

- Dispose of the battery from the remote control only in accordance with national regulations.

In case of doubt, obtain information from the local authorities or special disposal companies.





## 8. Technical data

### Data for electric actuator BAVONA Hard-Top TP6500

Actuator		Slide-in
<b>Display</b>	<b>Value</b>	Transformer
Mains voltage	24 V DC	120 V 60 Hz/24 V
Current consumption	2.8 A	–
Power consumption	70 Watt	80 Watt
Protection class	IP 66	IP 54
Continuous operation, Actuator	4 Min.	–

### Data for optional lighting

Display	LED white
Mains voltage	24 V
Color temperature	3500 K
Power	8 W/m
Number of LED	116/m
Service life	50000 h

## Remote control

Display	Value
Protection type	IP 44
Battery	3 V (Typ CR 2430)
Channels	4
Frequency	433.42 MHz

## Measurements

Pavilion	Width, max.	Swing, max	Headroom, max.
<b>BAVONA</b>			
TP6500 Hard-Top	6000 mm	6000 mm	2770 mm



