

S T O B A G

# TENDABOX

Rigid and multi-purpose  
box awning.





# TENDABOX BX3000



Round or square design



Drop down valance

- Sealed box protects from the elements
- Mounting options of to the wall or below the ceiling
- Simple and proven installation system for hanging
- Awning incline adjustable from 0° to 85°
- Choice of square or round design
- Optional cover to hide cover roller shaft
- Optional drop down valance with rounded box: Acrylic cover to max. 3' 11" and Soltis 86/Soltis 92 to max. 5' 7" high. Improved winding thanks to the floating system (floating roller)
- Optional wall joint profile prevents rain water entering between façade and awning



min. 6' 5"  
max. 21' 4"



min. 4' 11"  
max. 13' 1"\*

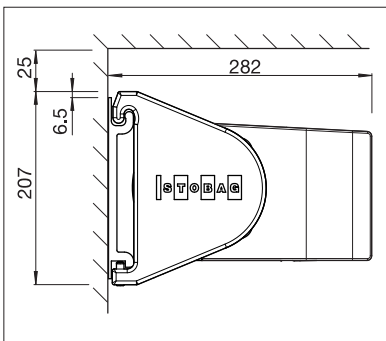
\* with drop down valance max. 11' 6" projection;  
with gearbox max. 19' 8" width x 11' 6" projection



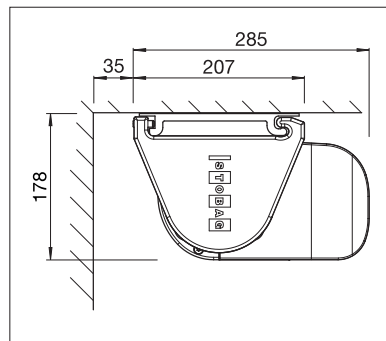
The wind resistance class can vary depending on version and dimension.



Technical dimensions in millimetres (1 mm = 0.03937")



Wall installation, Square design



Top installation, Round design



REGISTRATION REQUIRED



## COLORS

Discover the diverse options when selecting frame colors.



## FABRICS

Choose from a comprehensive range of materials and colors.



## ELECTRICS

More convenience thanks to the automated control.