



Pergotenda® Palladia



With a wide range of sizes and multiple options, the wall-mounted Palladia is our most popular classic aluminum Pergotenda® with the ability to match any outdoor living style.

Time to draw "en plein air"

PERGOTENDA® PALLADIA WALL TO WALL

Palladia Wall to Wall Pergotenda® is a solution for installations that require a Pergotenda® system and frame that attaches to a wall or structure at each end. It uses

special brackets to attach to the walls or ceiling on each side for support. It has most of the same attributes as a traditional Palladia Pergotenda®, but without pillars or corner pieces.



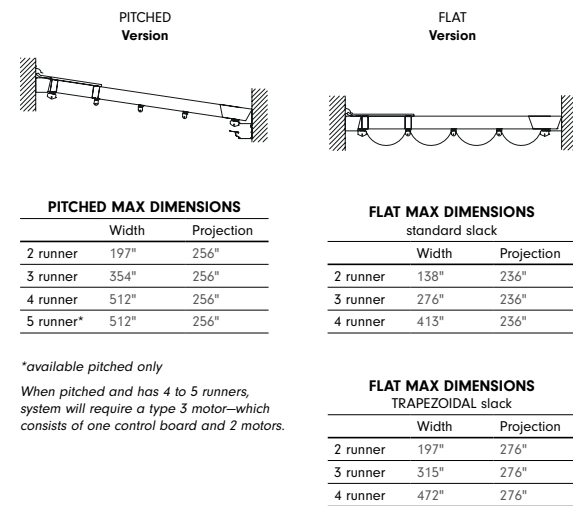
FEATURES

- ANTIDRIP SYSTEM** (pitched versions only) Weldable PVC profile on the upper part of the canvas for lateral rainwater retention. This PVC profile is welded to each far side of a pitched roof canopy to prevent water from dripping over the sides and forces the water to shed into the gutter system.
- ANTISPRAY PROFILE** (pitched versions only) PVC profile inserted on the lateral side of the runner for retention of rainwater spray. Always in addition to the ANTIDRIP SYSTEM. The AntiSpray prevents water from a heavy downpour from "splashing" over the AntiDrip profile and dripping over the sides.
- UNDERSIDE DRIP-COLLECTION RIM** (flat versions only) Welded PVC profile on the underside of the roof canopy to channel water into the side gutters and to prevent water from running along the underside of the roof canopy and dripping down.
- MOTORIZATION** All Pergotenda® are motorized, giving you complete control at the touch of a button.
- HOOD** The Protective Hood Cover is an aluminum corrugated standing seam cover that is positioned where the unit mounts to the wall or at the back of the unit on a Freestanding model for the purpose of protecting the Roof Canopy Swags that created when the roof retracts and to prevent any water or debris from collecting in the swags. The Protective Hood Cover is powder coated for longevity.

OPTIONS

- ADD-ON INTERMEDIATE SUPPORT TUBE** Used to reduce the height of the canopy swag when the roof unit is retracted, usually for purposes of clearing a door opening or a window. Only two (2) tubes total may be added to any single roof canopy.
- ADD-ON RUNNER** The mechanical Runner is the equivalent of roof truss or rafter and is what the roof canopy is attached to. Adding a Runner is considered when the roof pitch angle needs to be reduced to properly shed water and manage it into the gutter systems. Adding a runner may also be considered to reduce the pitch of the roof for design purposes as well.
- FAUX CEILING** A unique option that hangs a colorful fabric beneath the roofing material to add warmth and atmosphere to the room. The Faux Ceiling fabric can provide for an excellent opportunity to blend other colors or materials that are part of furnishings or cushions. The softer fabric material may also be a benefit in reducing noise or providing other minimal acoustic properties to dampen surrounding noise. This option will depend on the type of fabric. The Faux Ceiling fabric generally must be from the Corradi USA collection or an approved alternate.
- WALL BEAM** Aluminium profile for uneven walls, where standard fastening to supports is awkward; or otherwise to deal with minor bumps.
- GABLE** (pitched versions only) A fixed fabric portion used to enclose the angled gap on both sides of a pitched system when using screens.
- LIGHTING** The Pergotenda® lighting system is a custom designed system that seamlessly integrates into the Pergotenda® intermediate tubes.
- PITCHED OR FLAT** Both pitched (angled) roof and flat roof options are available for the Impact.
- FIXED FRONT GUTTER** (pitched versions only) Extruded aluminium profile for rainwater collection. Down pipes (1 about every 236 in.) and accessories included.
- STRATUS SCREEN** An exterior screen specifically designed to integrate into most Pergotenda® systems for complete enclosure that assists in protection from the elements and gives the option of privacy.
- TRAPEZOIDAL FABRIC** (flat versions only) An alternative drainage option for flat systems to let you control which side of the system you want rain to fall off.
- WALL OR CEILING MOUNT** Available mounted to a wall or ceiling.

The Palladia Wall to Wall offers the same frame, fabric and motor options as the standard Palladia Pergotenda®.



*available pitched only
When pitched and has 4 to 5 runners, system will require a type 3 motor—which consists of one control board and 2 motors.

PERGOTENDA® PALLADIA



Palladia is a retractable cover system mounted to a wall, custom made to protect against sun and rain. It consists of an aluminum structure and a folding canvas. The fabric is supported by intermediate supporting tubes (1.6"x2") and terminal bars (3.2"x2") set parallel to one another every 24" approximately on pitched version and every 20" approximately on flat version. It slides on runners with built-in splash-guard (2.4"x4.8") on carriers with 6 asymmetrical wheels with a capacity of about 1000 lbs each. The toothed transmission belt has stainless steel cables and resists a saline environment; the tensile strength is of 2000 lbs at break; the transmission belt is inserted in each runner, controlled by the drive pulley and a single drive shaft that guarantees the smooth movement of the canvas. The Palladia system is operated by a radio-controlled Dunker D839 motor. Aluminum tubular structure is 2.4"x4.8". Hardware and accessories are 304 stainless steel. While Corradi USA possesses a great deal of data related to engineering for the Pergotenda® product line that is related to wind ratings and load data that has been developed through specific product tests, case studies and IBC testing. It is understood that when required and due to the custom nature of our projects, engineering must be project specific and adhere to the rules and regulations at the local level where such a project shall be planned and installed.

FEATURES

- ANTIDRIP SYSTEM** Weldable PVC profile on the upper part of the canvas for lateral rainwater retention. This PVC profile is welded to each far side of a pitched roof canopy to prevent water from dripping over the sides and forces the water to shed into the gutter system.
- ANTISPRAY PROFILE** PVC profile inserted on the lateral side of the runner for retention of rainwater spray. Always in addition to the ANTIDRIP SYSTEM. The AntiSpray prevents water from a heavy downpour from "splashing" over the AntiDrip profile and dripping over the sides.
- MOTORIZATION** All Pergotenda® are motorized, giving you complete control at the touch of a button.
- HOOD** The Protective Hood Cover is an aluminum corrugated standing seam cover that is positioned where the unit mounts to the wall or at the back of the unit on a Freestanding model for the purpose of protecting the Roof Canopy Swags that created when the roof retracts and to prevent any water or debris from collecting in the swags. The Protective Hood Cover is powder coated for longevity.

OPTIONS

- ADD-ON INTERMEDIATE SUPPORT TUBE** Used to reduce the height of the canopy swag when the roof unit is retracted, usually for purposes of clearing a door opening or a window. Only two (2) tubes total may be added to any single roof canopy.
- ADD-ON RUNNER** The mechanical Runner is the equivalent of roof truss or rafter and is what the roof canopy is attached to. Adding a Runner is considered when the roof pitch angle needs to be reduced to properly shed water and manage it into the gutter systems. Adding a runner may also be considered to reduce the pitch of the roof for design purposes as well.
- FAUX CEILING** A unique option that hangs a colorful fabric beneath the roofing material to add warmth and atmosphere to the room. The Faux Ceiling fabric can provide for an excellent opportunity to blend other colors or materials that are part of furnishings or cushions. The softer fabric material may also be a benefit in reducing noise or providing other minimal acoustic properties to dampen surrounding noise. This option will depend on the type of fabric. The Faux Ceiling fabric generally must be from the Corradi USA collection or an approved alternate.
- FRONT BEAM** Finishing aluminum profile for the closing application. Required in order to strengthen the structure with a projection over 157", but not necessary if front screens (Stratus) are applied.
- GABLE** (pitched versions only) A fixed fabric portion used to enclose the angled gap on both sides of a pitched system when using screens.
- LIGHTING** The Pergotenda® lighting system is a custom designed system that seamlessly integrates into the Pergotenda® intermediate tubes.
- PITCHED OR FLAT** Both pitched (angled) roof and flat roof options are available for the Impact.
- RETRACTABLE GUTTER** Extruded aluminium profile for rainwater collection, only for pitched versions, fixed to the end support tube. One drainage per runner. Down pipes not provided. The gutters moves with the roof canopy and has downspouts that merge into a CNC cut in each front supporting post.
- STRATUS SCREEN** An exterior screen specifically designed to integrate into most Pergotenda® systems for complete enclosure that assists in protection from the elements and gives the option of privacy.
- TRAPEZOIDAL FABRIC** (flat versions only) An alternative drainage option for flat systems to let you control which side of the system you want rain to fall off.
- UNDERSIDE DRIP-COLLECTION RIM** (flat versions only) Welded PVC profile on the underside of the roof canopy to channel water into the side gutters and to prevent water from running along the underside of the roof canopy and dripping down.
- WALL OR CEILING MOUNT** Available mounted to a wall or ceiling.

FRAME COLORS

POWDER COATING*

The aluminum extrusions are painted with certified Qualicoat cycle epoxy powders. The support tubes come in: White Quartz, Glacier, & Beach Sand to match with the Eclissi fabric.



*RAL CUSTOM COLOR POWDER COATING IS ALSO AVAILABLE
Due to print variation these finish images should not be used for final production specifications.

FABRICS

ECLISSI BLACKOUT FABRIC

Eclissi fabric is exclusively used by Corradi USA for Pergotenda® structures. It is a High tenacity 1100 Dtex Polyester base fabric with PVC laminate. The embossed finish on the inner side gives a textile appearance and a dynamic weft effect on the viewable surface. The outer side has an anti-dust acrylic lacquer. This unique 4-ply material has a blackout layer that also acts as a radiant barrier, providing superior heat resistance and heat gain as compared to other textiles used in these types of applications. It is available in 3 colors:

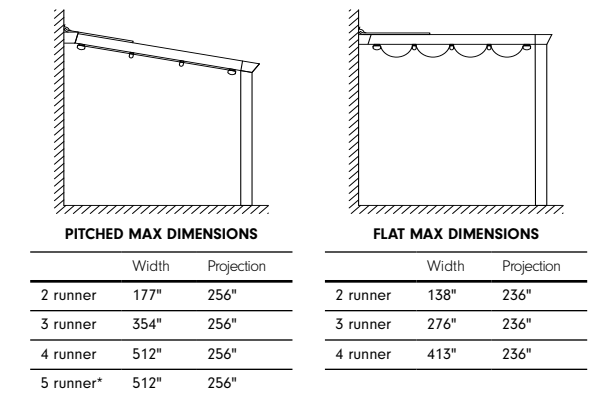


OTHER RETRACTABLE ROOF FABRICS AVAILABLE

- SERGE FERRARI SOLTIS PROOF W96**
A waterproof, transparent fabric that provides excellent luminosity as well as protection from the elements. Lightweight, durable and 100% recyclable. It is available in 13 colors.
- SERGE FERRARI SOLTIS PROOF 502**
A waterproof vinyl fabric with permanent translucence and a sophisticated satin finish that provides heat and weather protection along with high UV resistance. Lightweight, durable and 100% recyclable. Available in 40 colors.
- SERGE FERRARI SOLTIS PERFORM 92**
Greater thermal protection with optimal visual and lighting comfort. Harsh weather and UV resistant. Lightweight, durable and 100% recyclable. Not waterproof. Available in 48 colors.
- SERGE FERRARI SOLTIS HORIZON 86**
Perfect balance between thermal protection and visual comfort. Excellent outward visibility. Lightweight, durable and 100% recyclable. Weather and UV resistant. Not waterproof. Available in 26 colors.

MOTORS

RADIO CONTROLLED DUNKER D839



*5 runner available pitched only
Note: when pitched and has 4 to 5 runners, system will require 2 motors.