








Thank you for supporting our mission to create a greener planet through reforestation. Before starting, please make sure all pieces listed in this manual are complete. And save this manual for future reference.

When assembling, we recommend placing all wooden parts on a soft, clean and flat surface to avoid scratches and damage while assembling your brand new MasayaCo piece.

Need any assistance?
Feel free to contact our Customer Service Team.

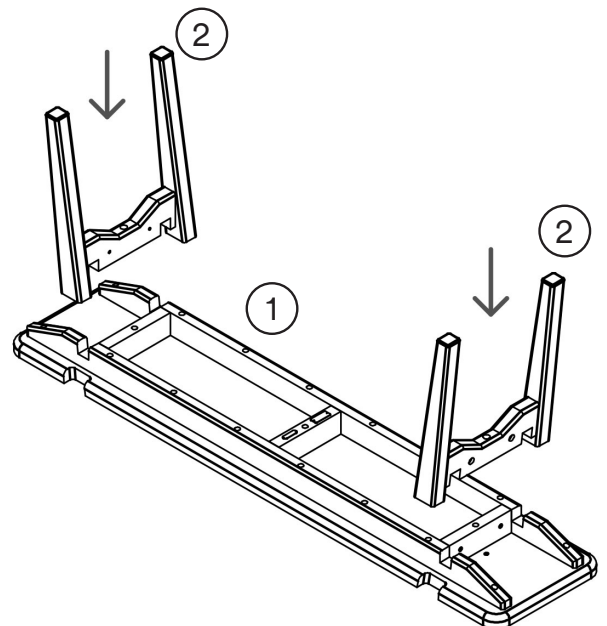
(615) 953 - 9373,
customerservice@masayacompany.com
or using our chat on www.masayacompany.com

🕒 15 Min 👤 1 person 🔑 Allen Hex Key

ID	Description	Qty	Reference
1	Solid Top	1	
2	Frame Leg	2	
3	Decorative Heat Bolt 13mm x 65mm	2	
4	Decorative Heat Bolt 13mm x 40mm	4	
5	Allen Hex Key	1	

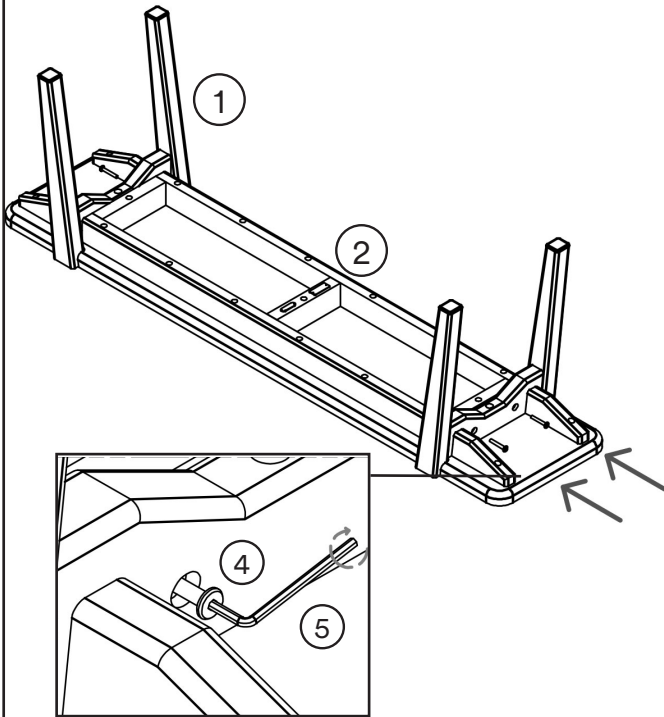
Step 1

Place Top (Piece 1) face down on an elevated and soft surface then place the legs (Piece 2) on the table top and attach them in place.



Step 2

Screw both the legs with the (Pieces 4) Rotate bolts without over-tightening until the leg is fully secured. To secure this please use the Allen Hex Key included.



Step 3

Repeat the same action with the pieces E on the inner holes

