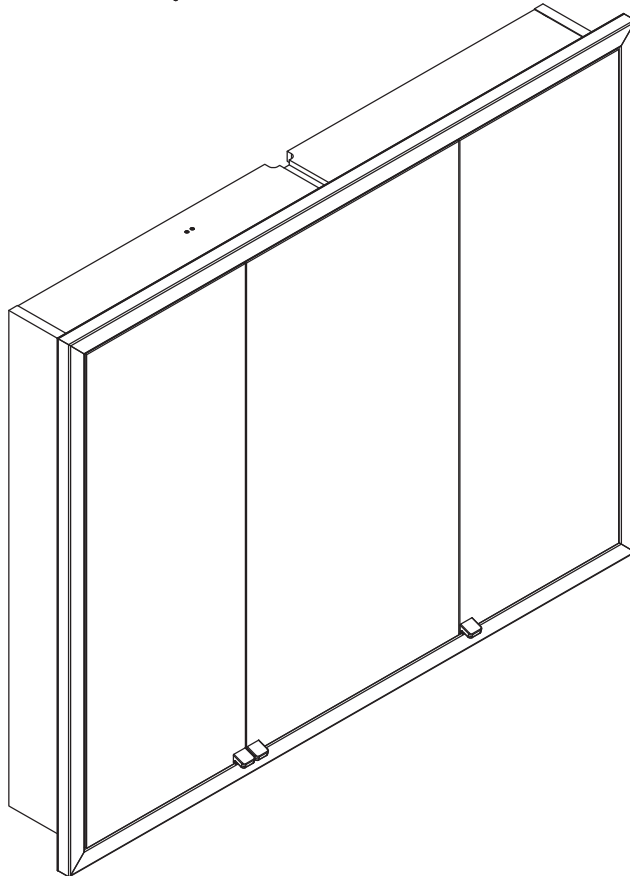
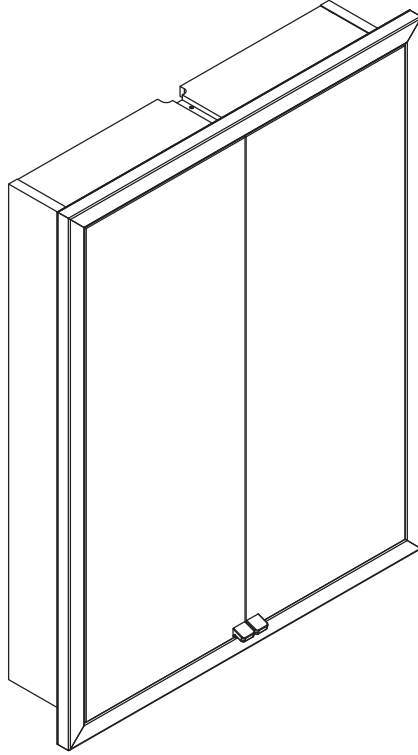
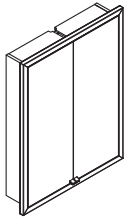




**DANSANI**  
DANISH BATHROOM DESIGN

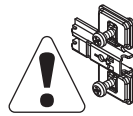




4x  
5-500



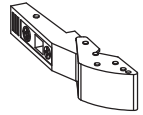
4x  
5,0-60SU



3x (+1x)  
190040245



24x  
415533



4x  
190040240



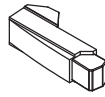
2x  
840400147

0

4x  
19500000



4x  
3,5-20SU



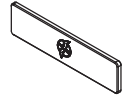
2x  
190040631



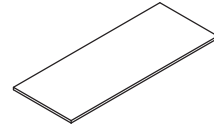
2x  
190040632



2x  
390010110



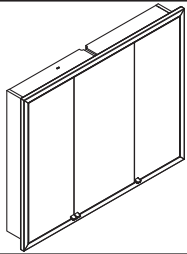
1x  
520800100



6x  
8208x0101



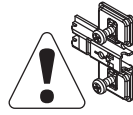
1x  
190040310



4x  
5-500



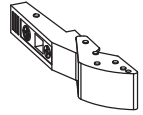
4x  
5,0-60SU



5x (+1x)  
190040245



36x  
415533



6x  
190040240



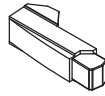
3x  
840400147

0

6x  
19500000



6x  
3,5-20SU



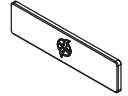
3x  
190040631



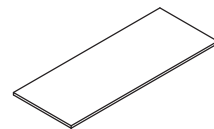
3x  
190040632



3x  
390010110



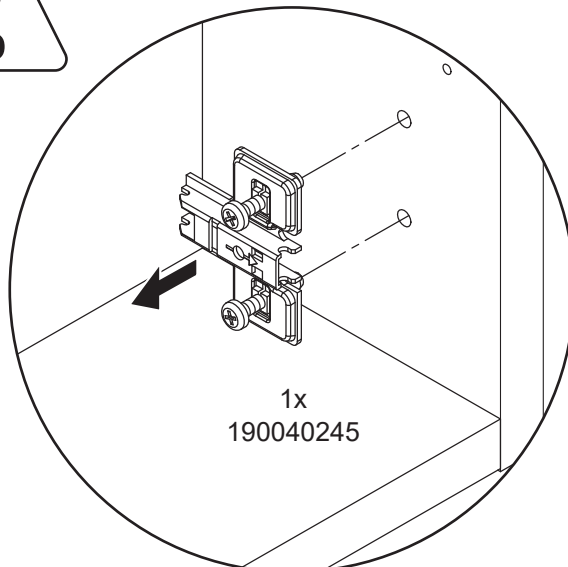
1x  
520800100



9x  
8208x0101

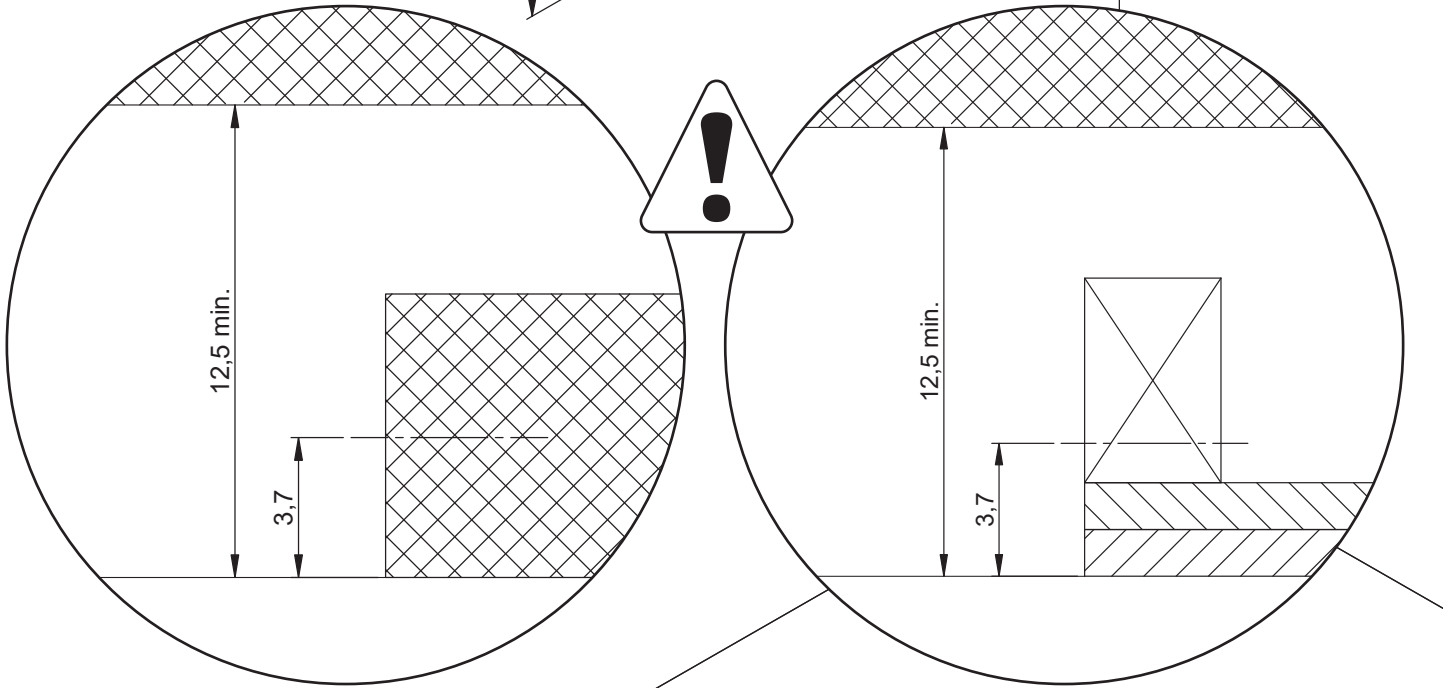
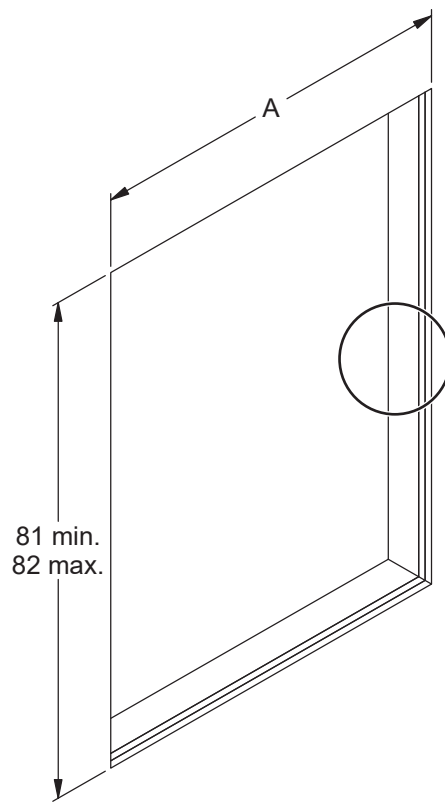


1x  
190040310



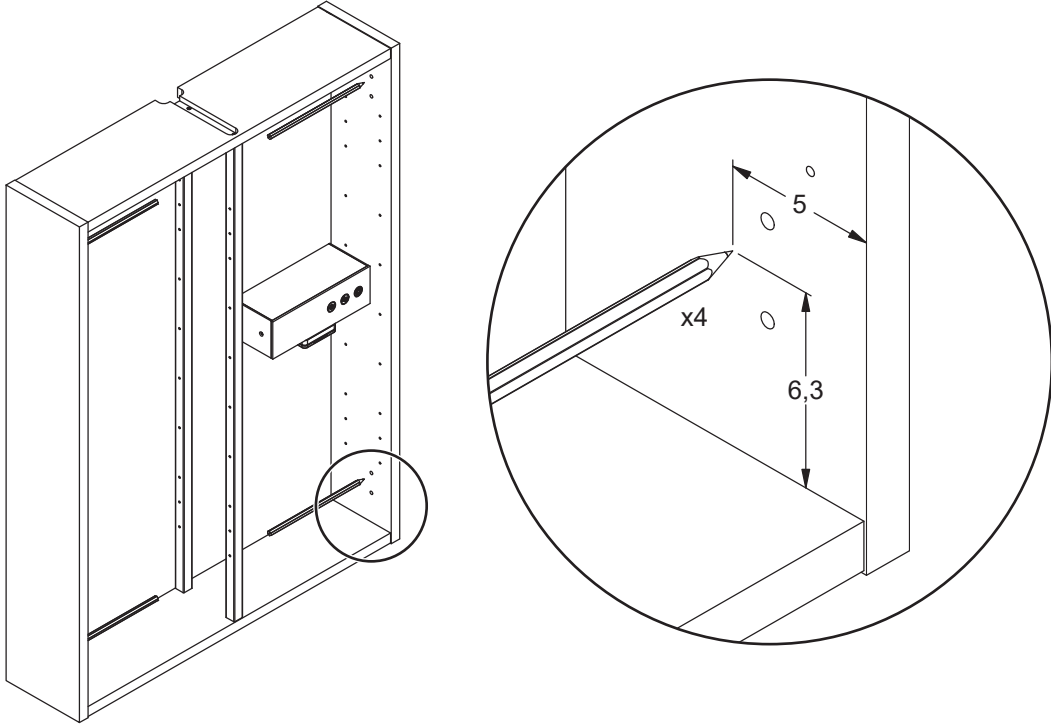
1x  
190040245

# 1

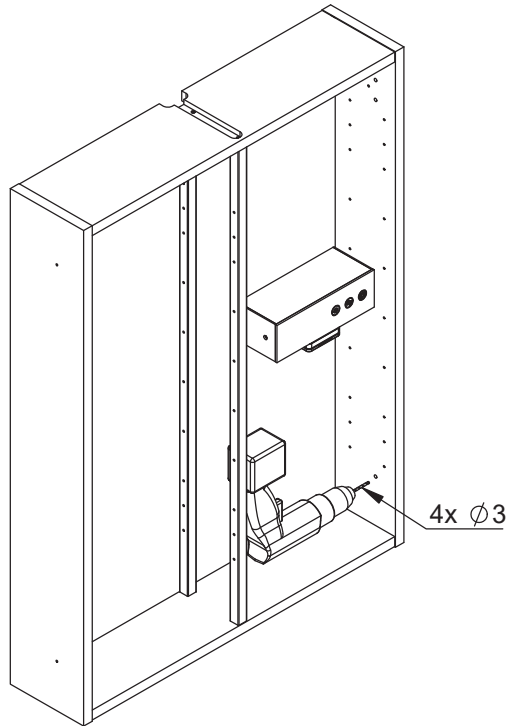


SP-74647	SP-74847	SP-74047 SP-74147	SP-74347
A = 61 min. - 62 max.	A = 81 min. - 82 max.	A = 101 min. - 102 max.	A = 121 min. - 122 max.

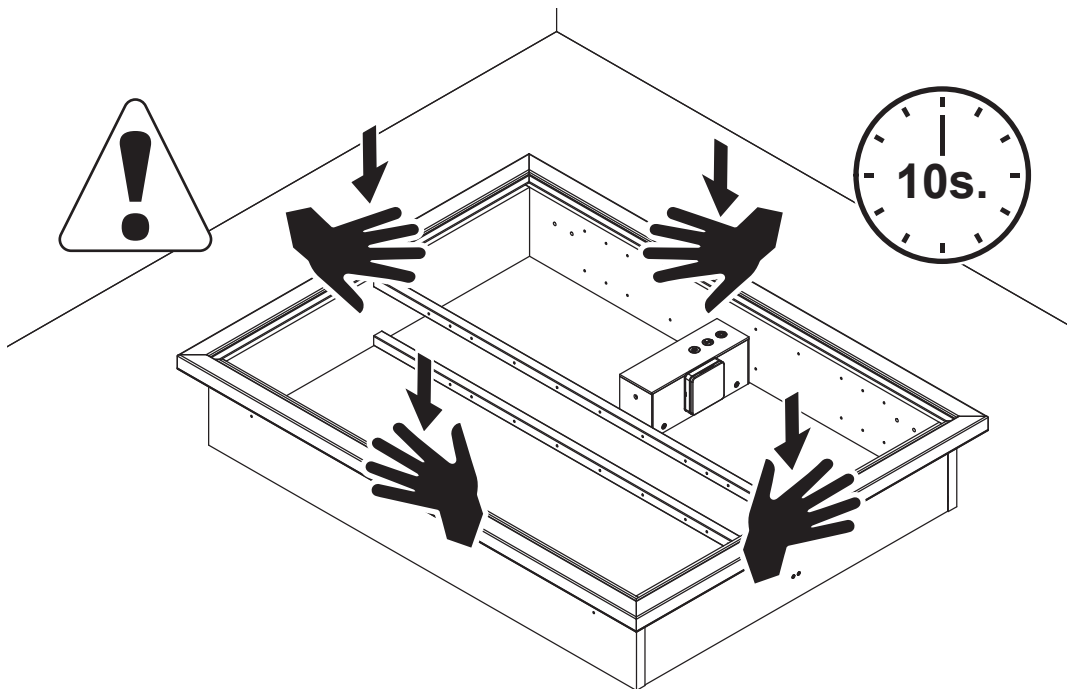
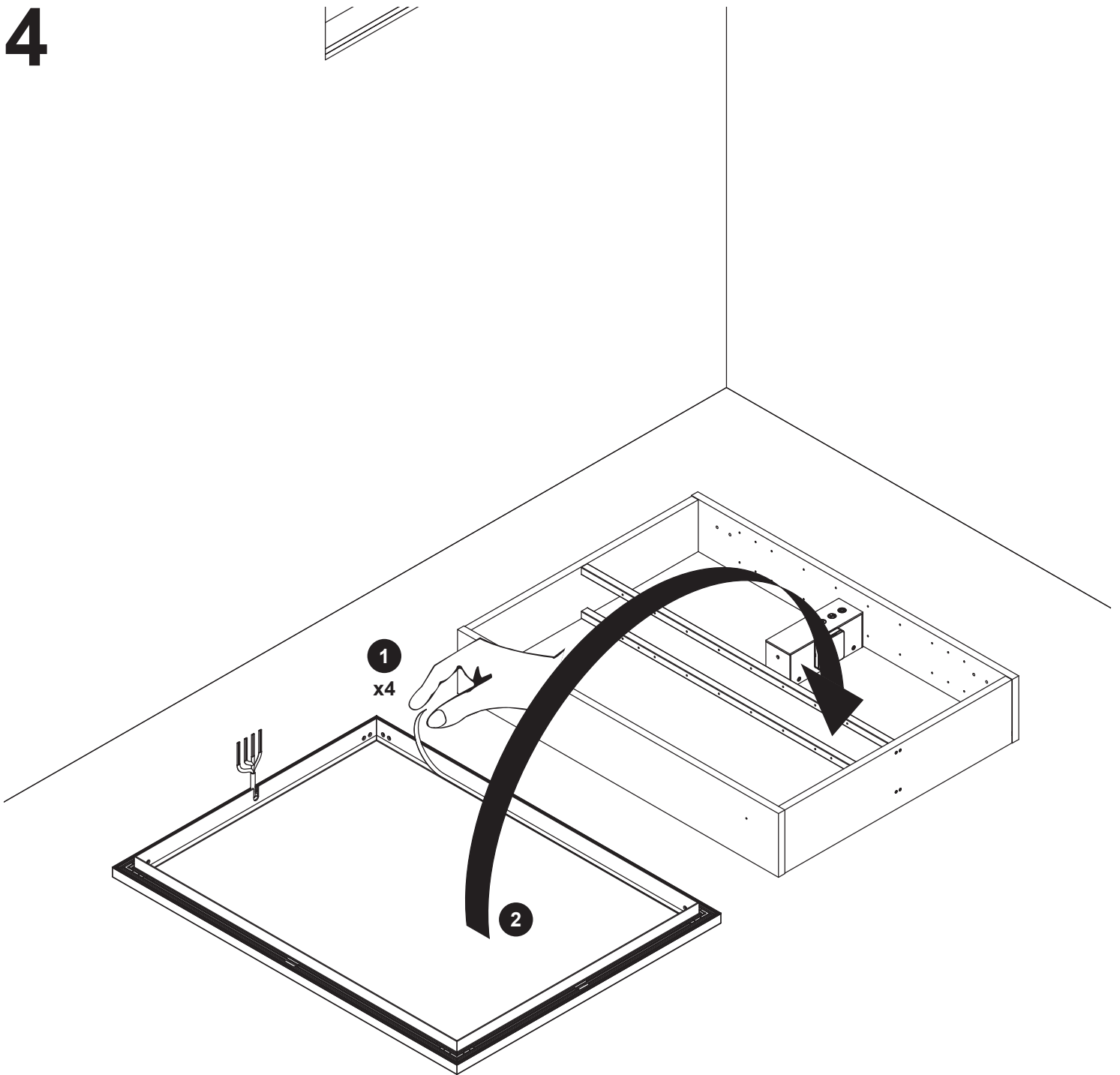
2



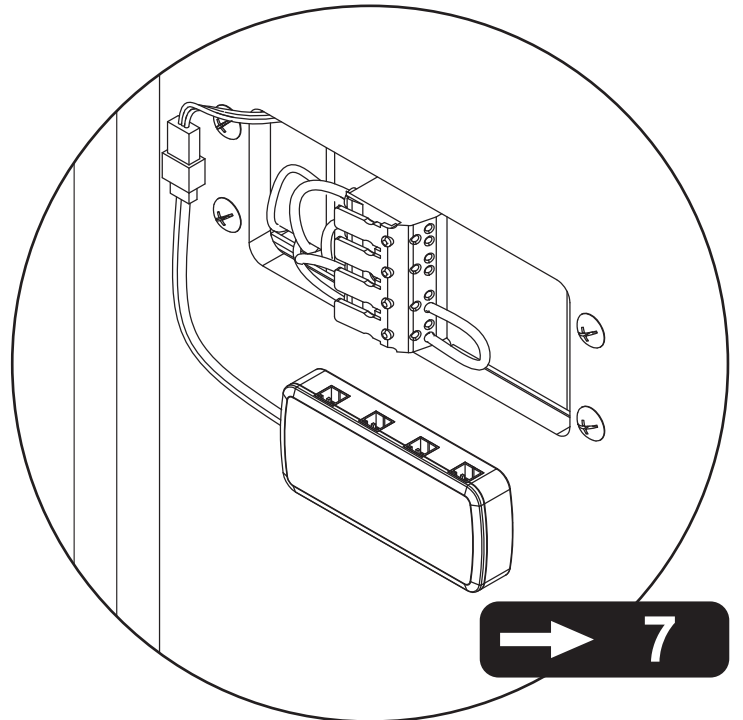
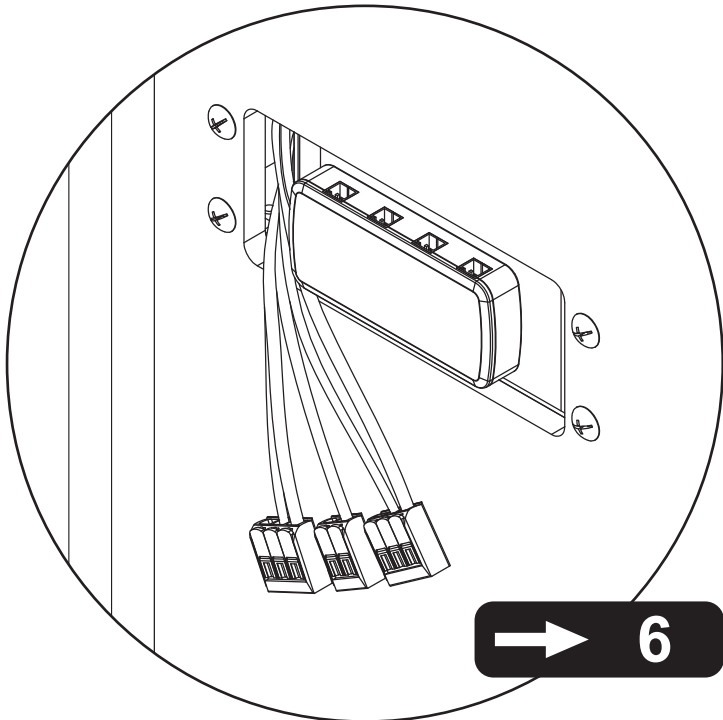
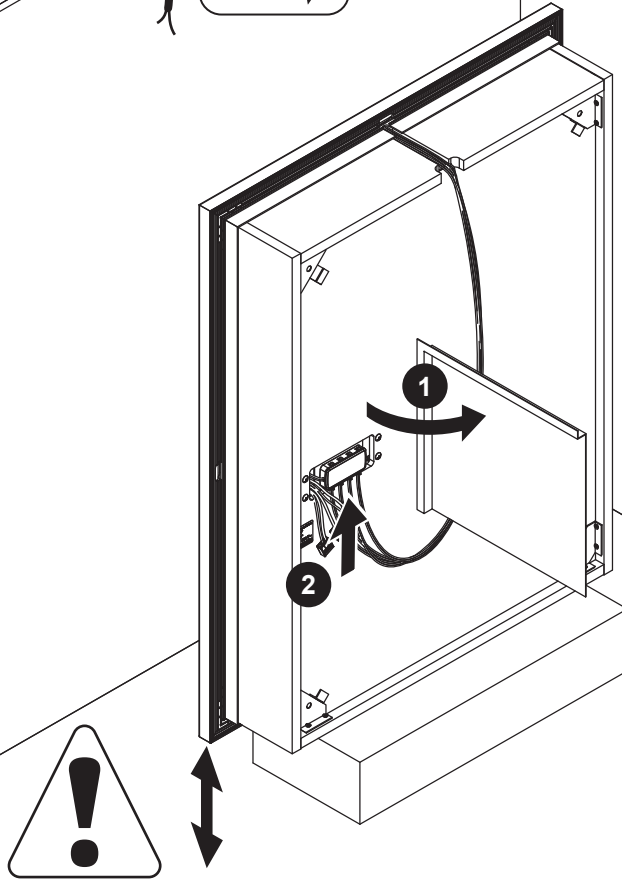
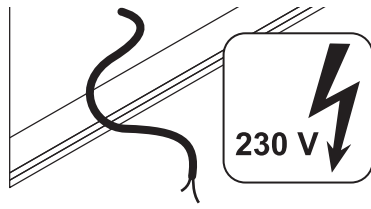
3



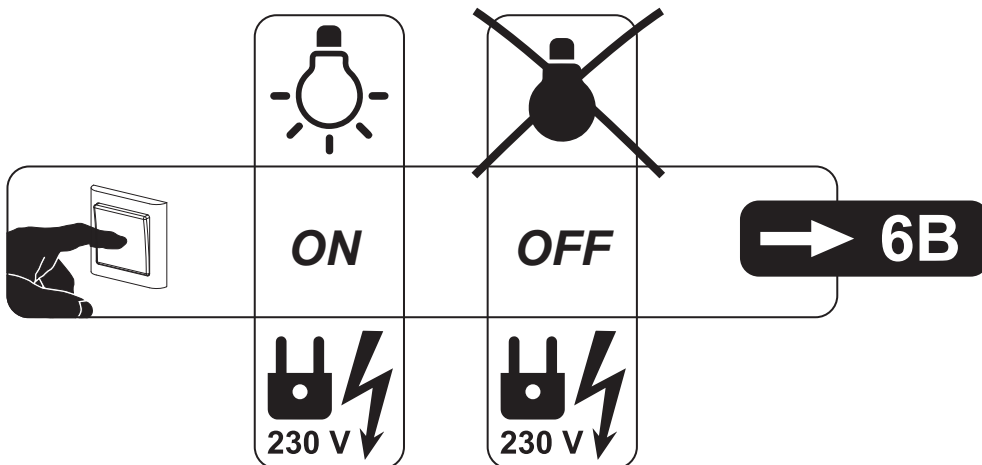
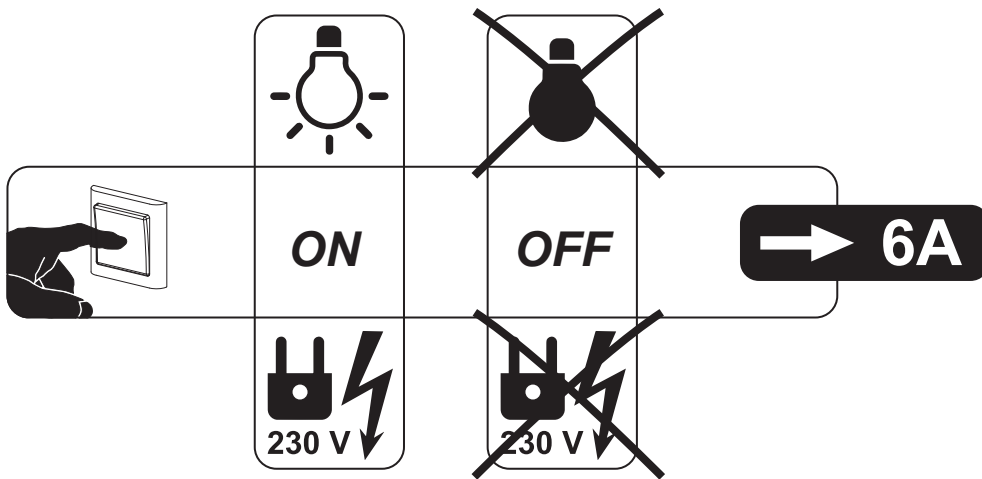
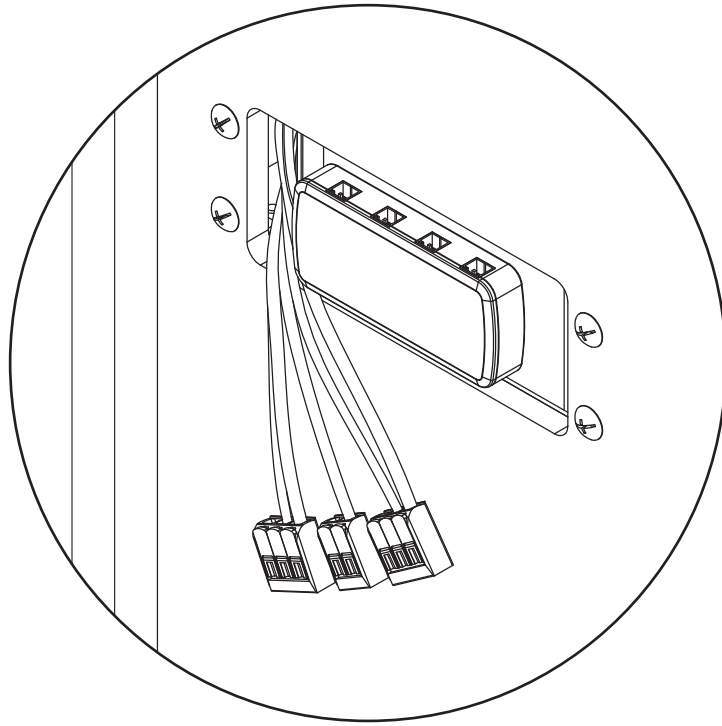
4



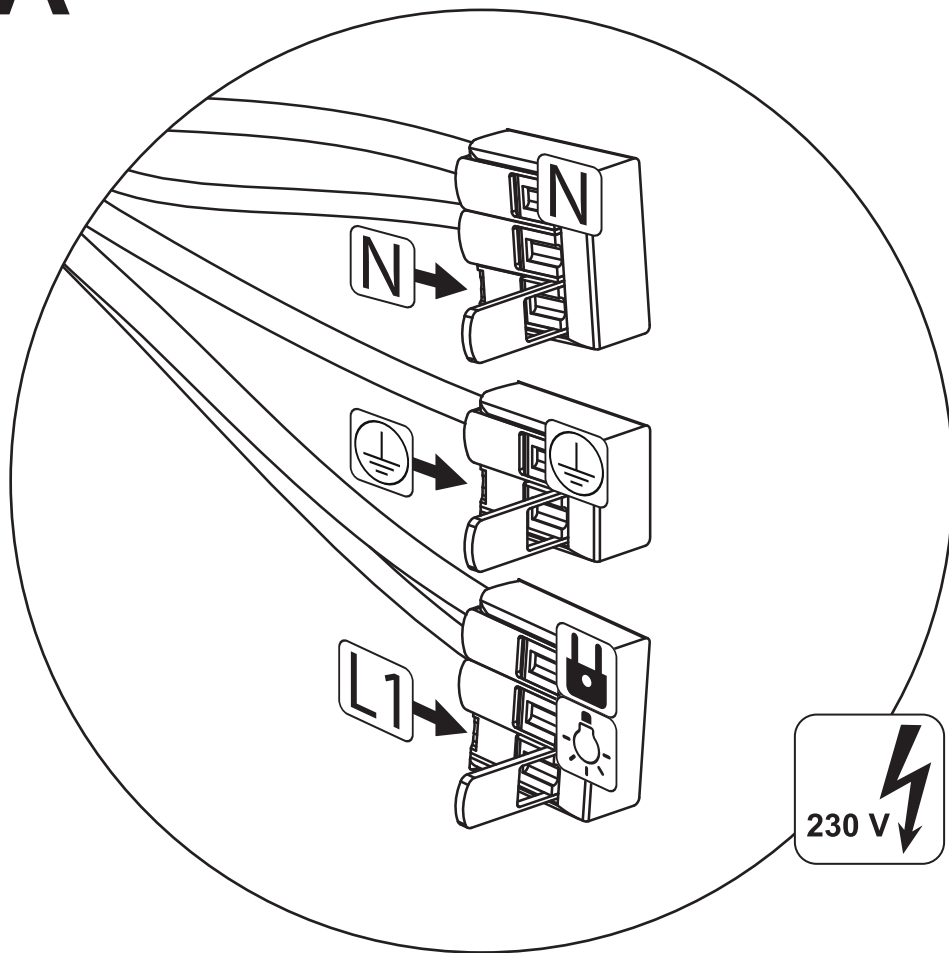
5



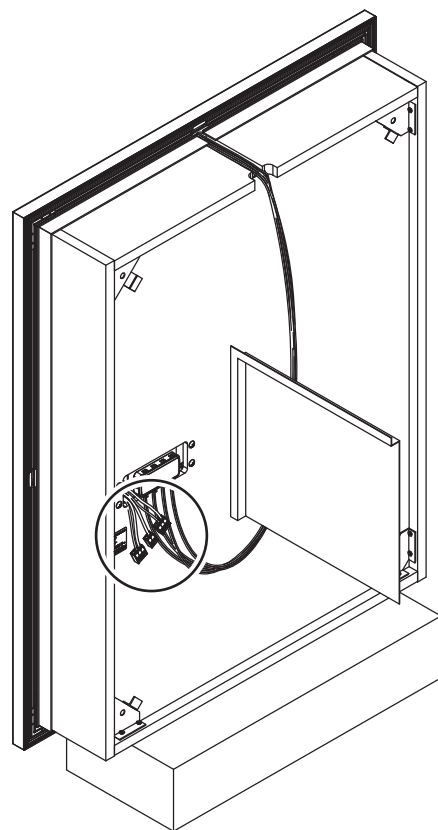
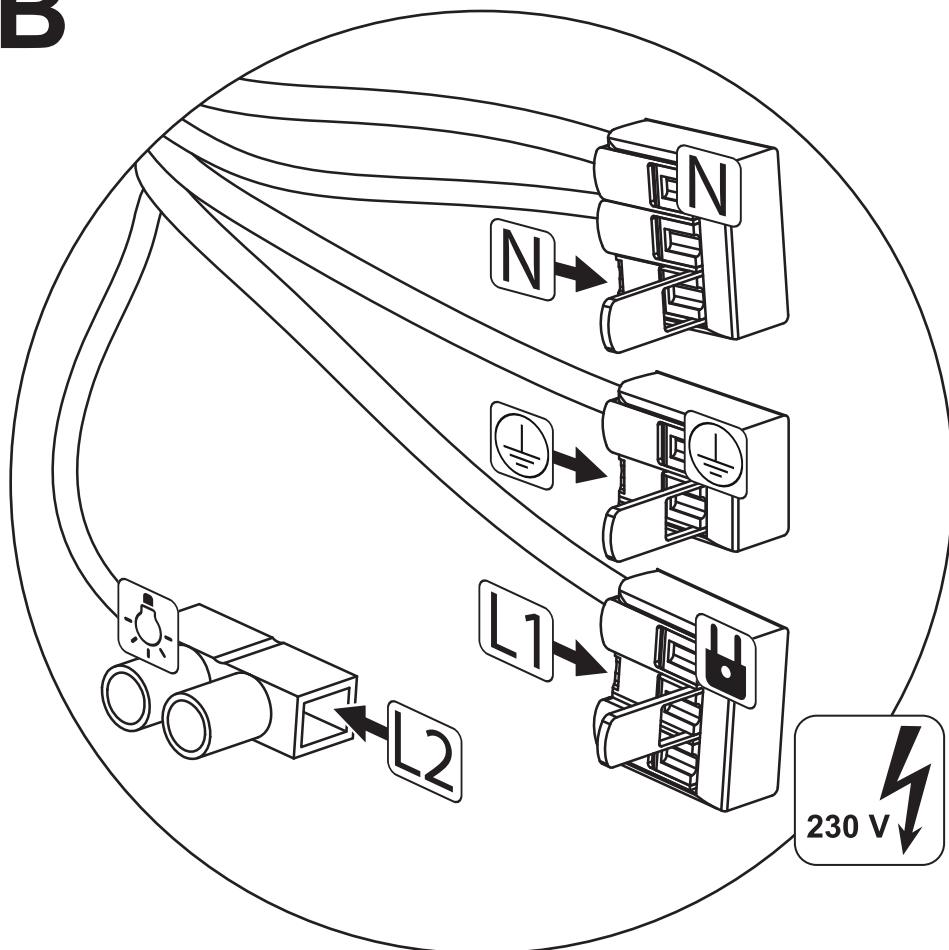
6



# 6A

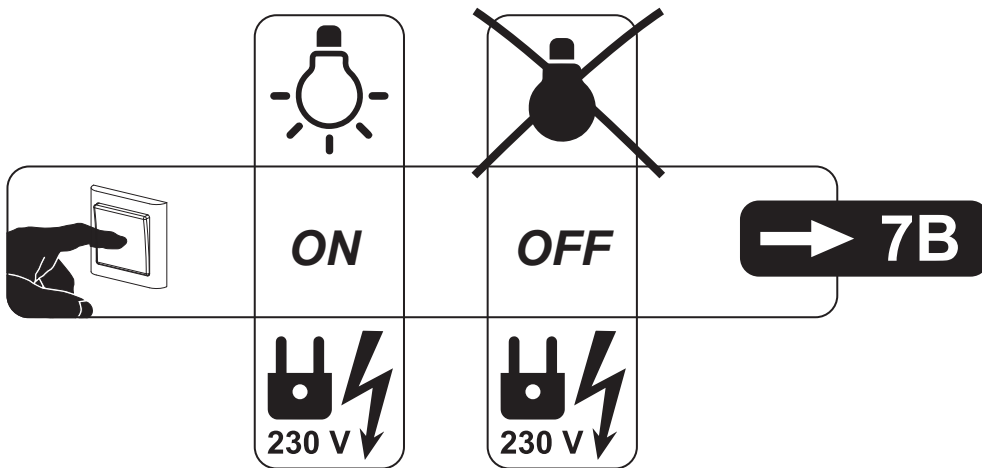
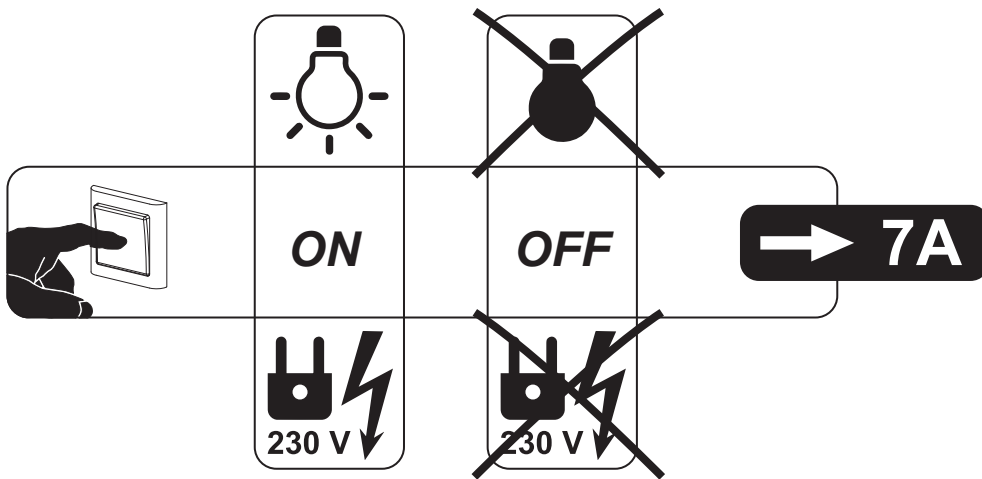
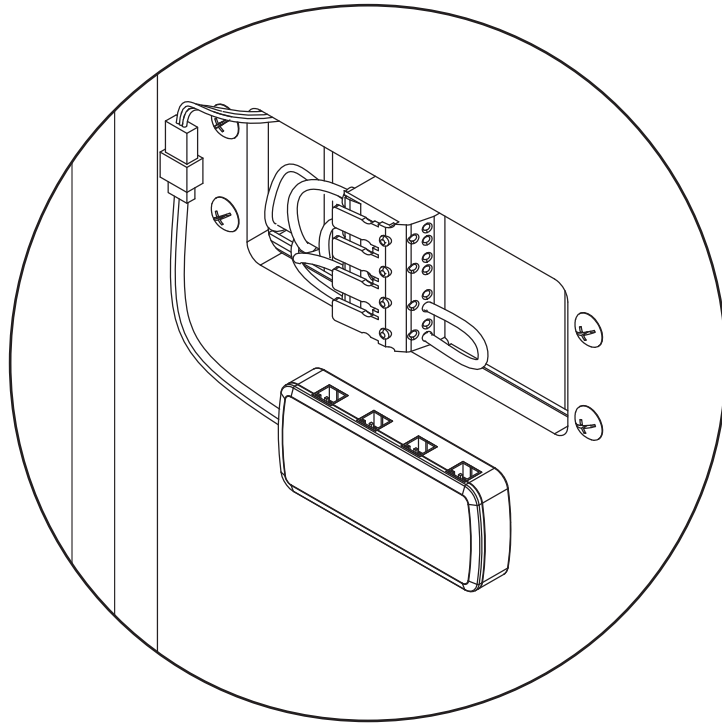


# 6B

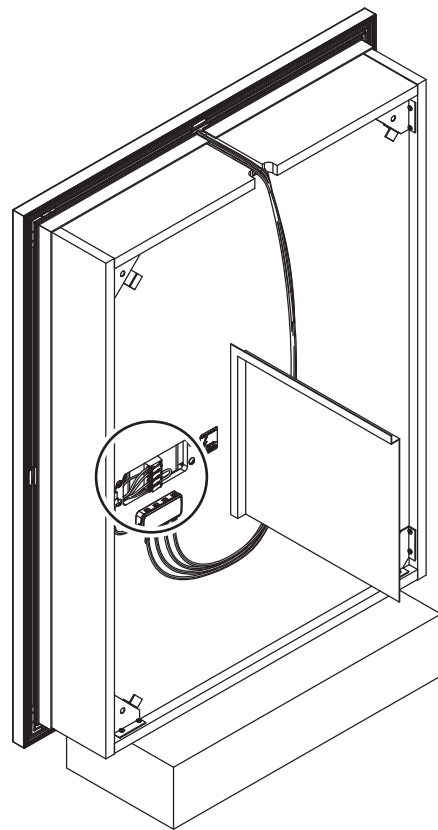
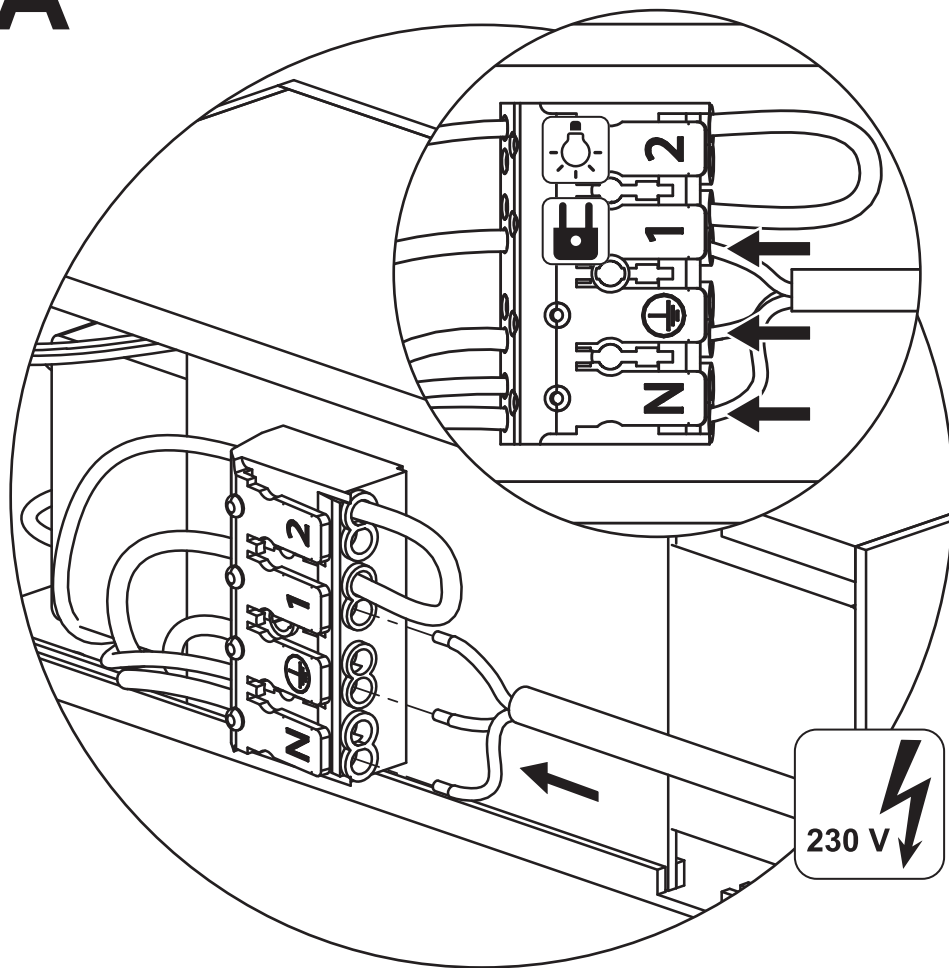




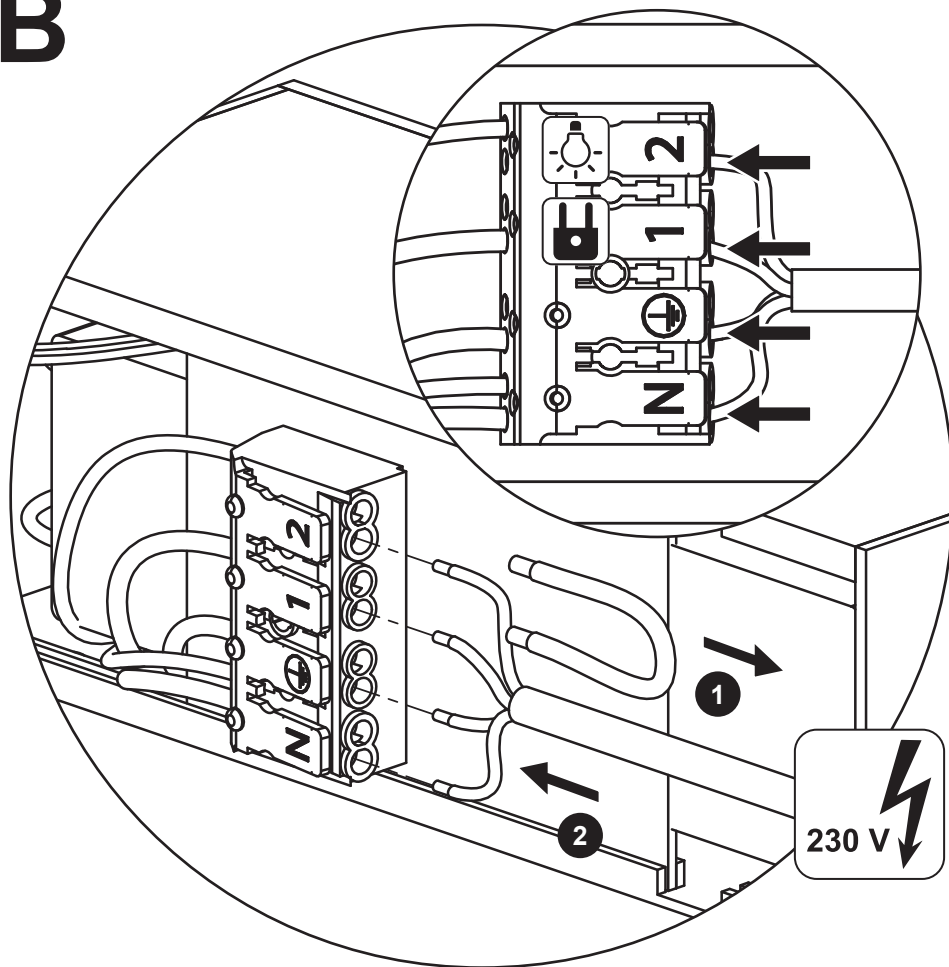
7

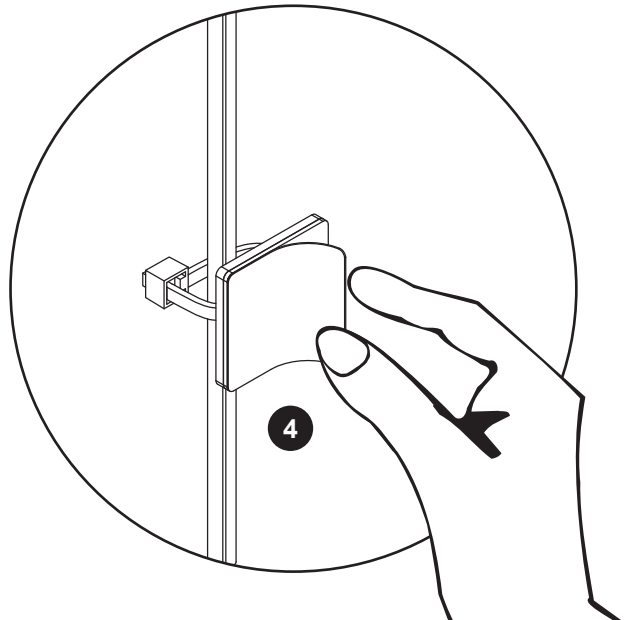
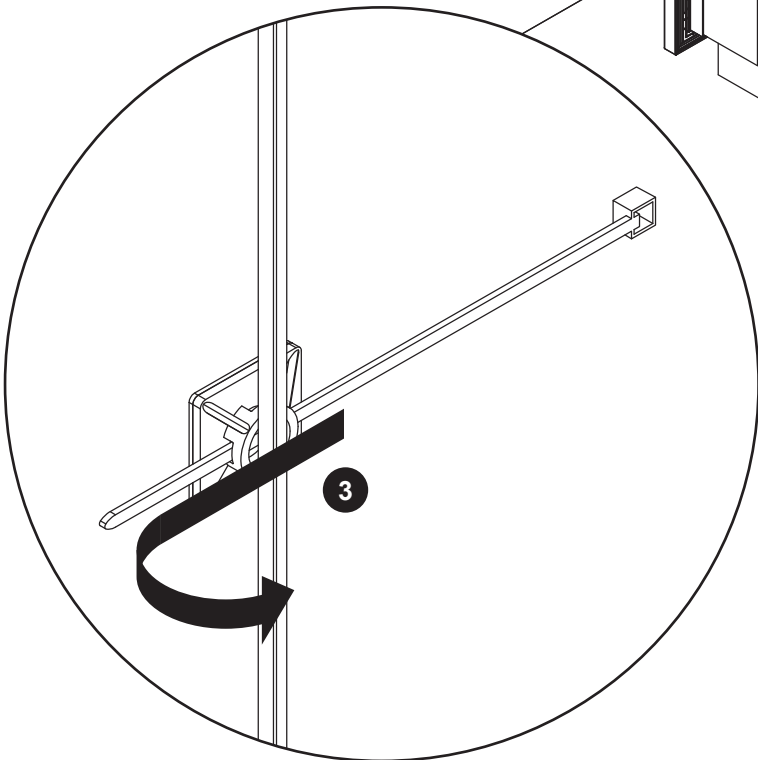
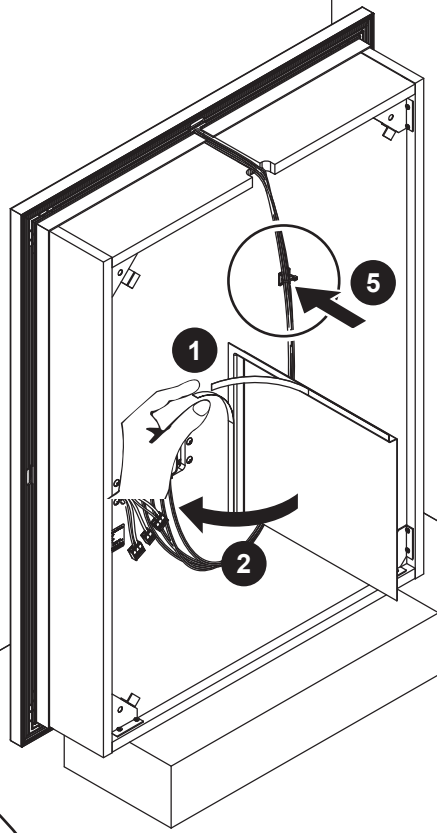
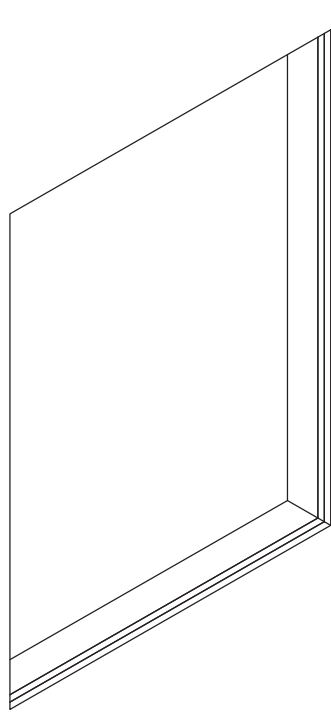


# 7A

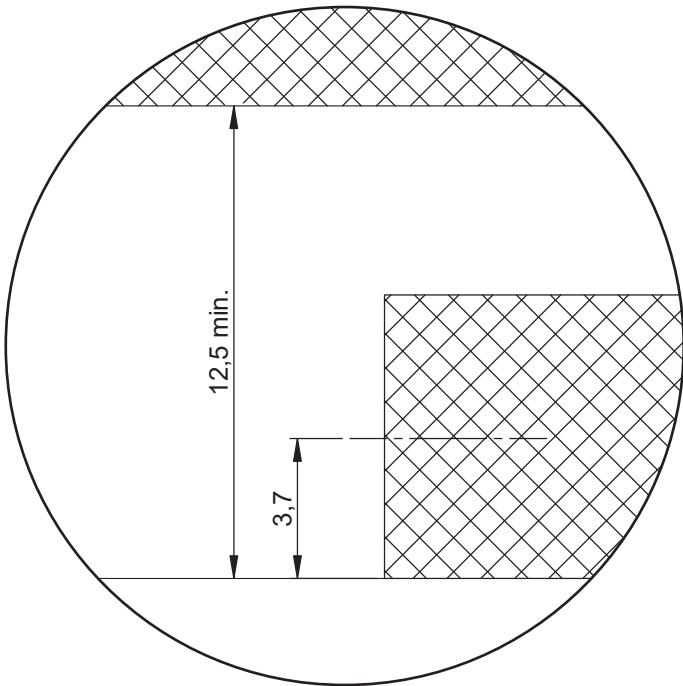
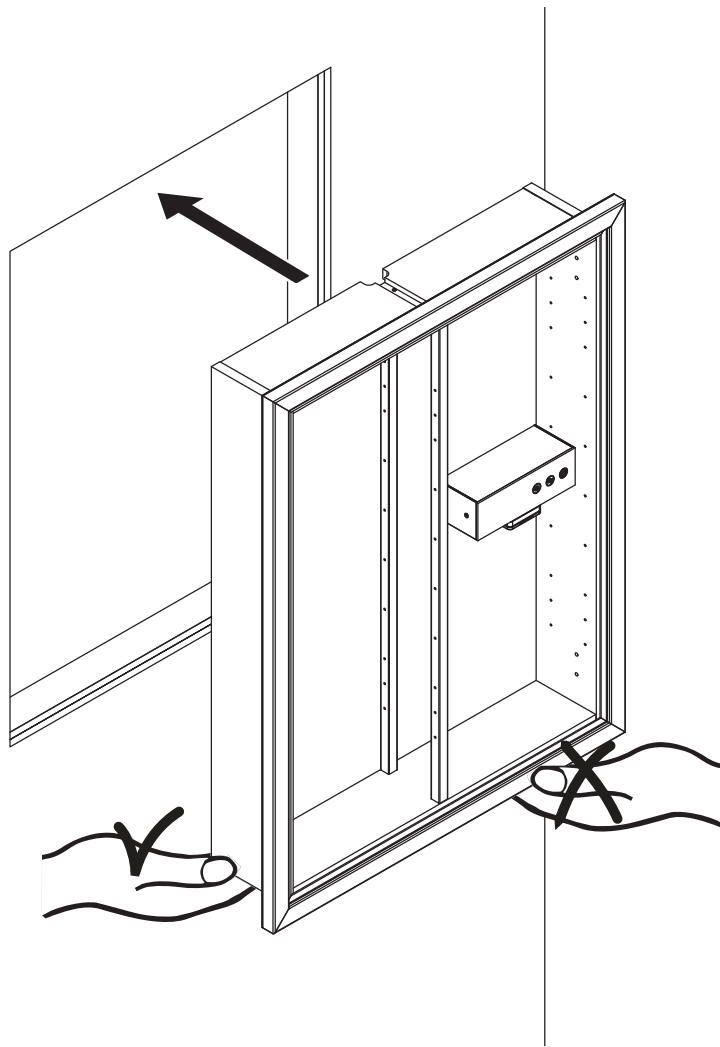


# 7B

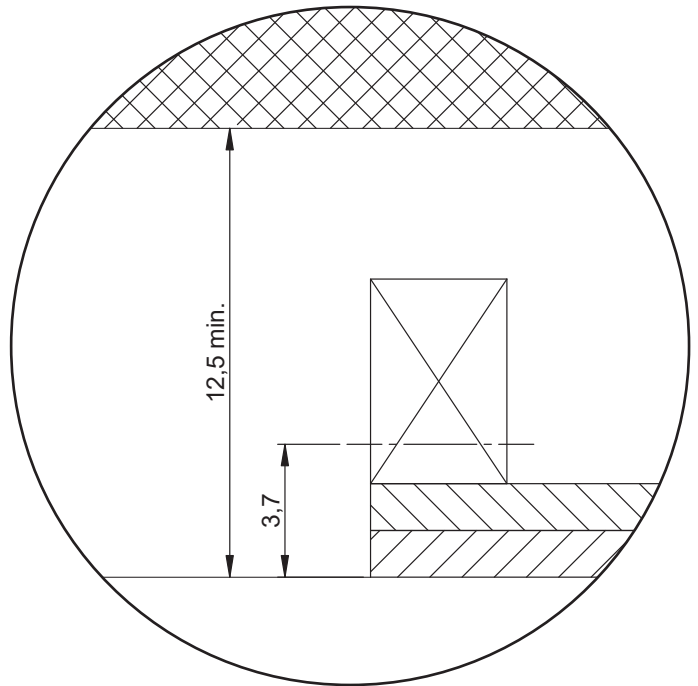




9

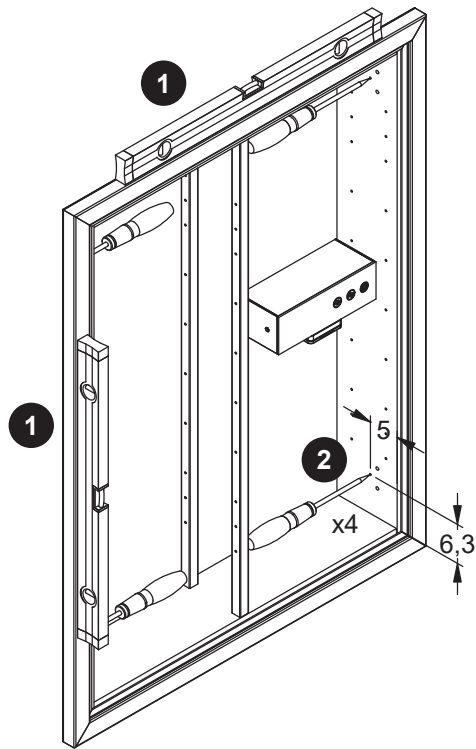


→ 10

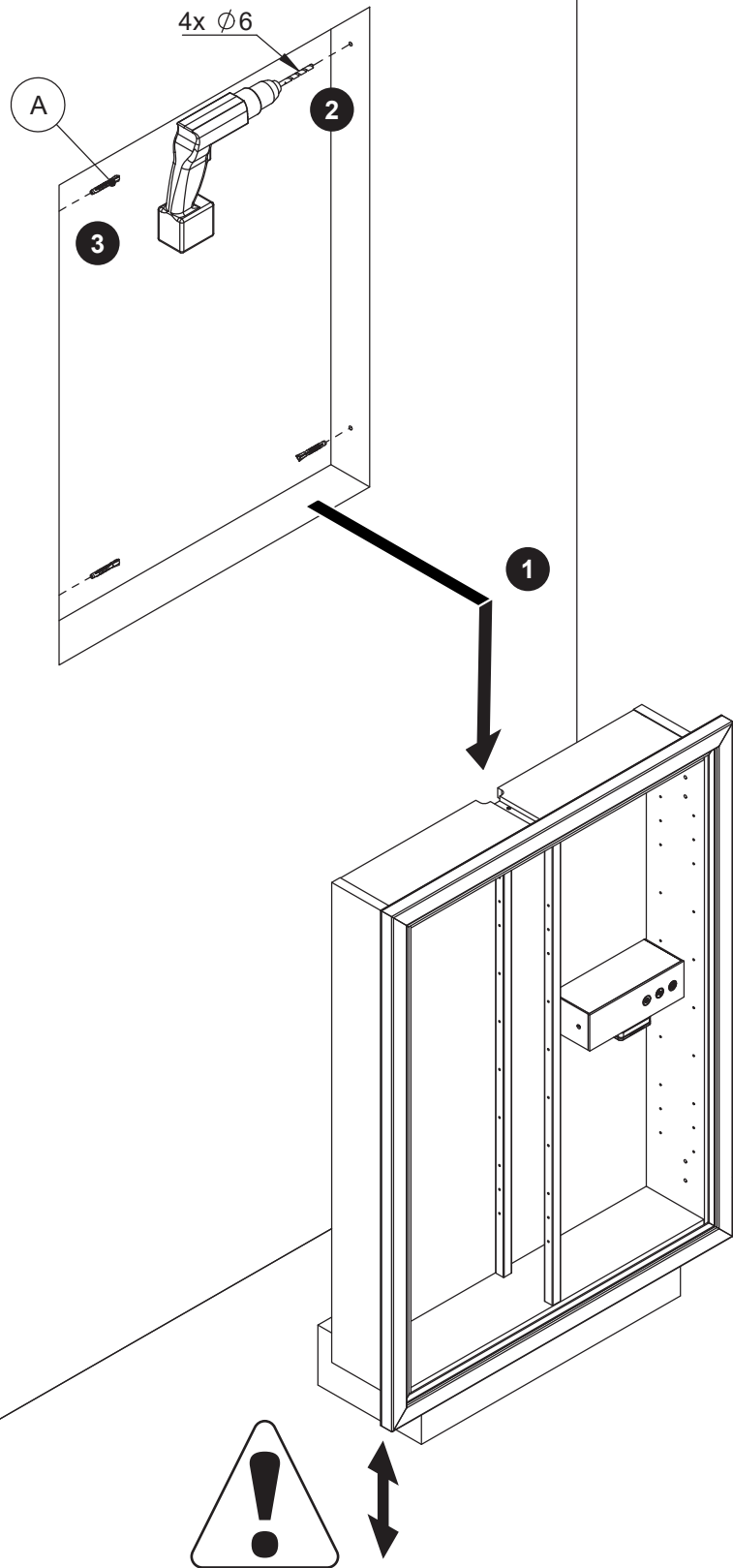
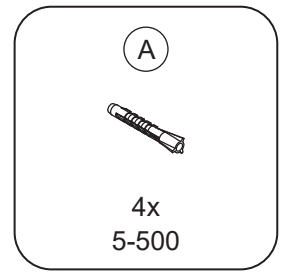


→ 13

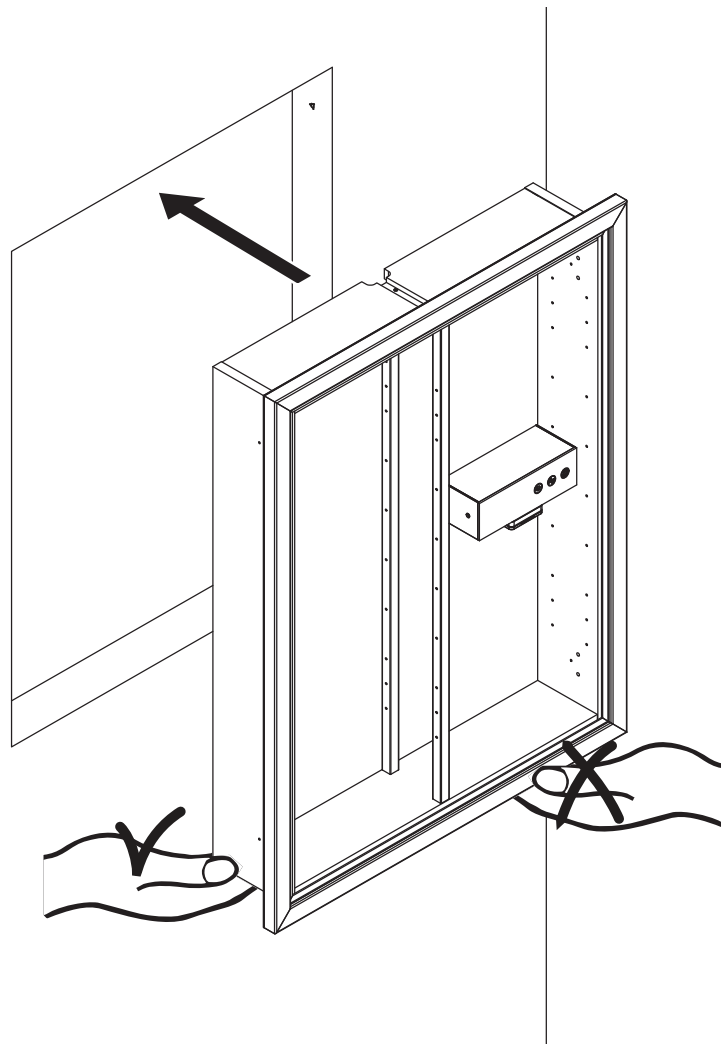
# 10



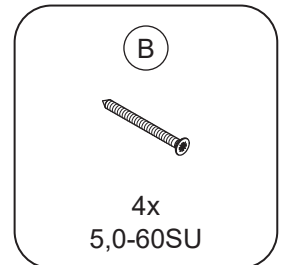
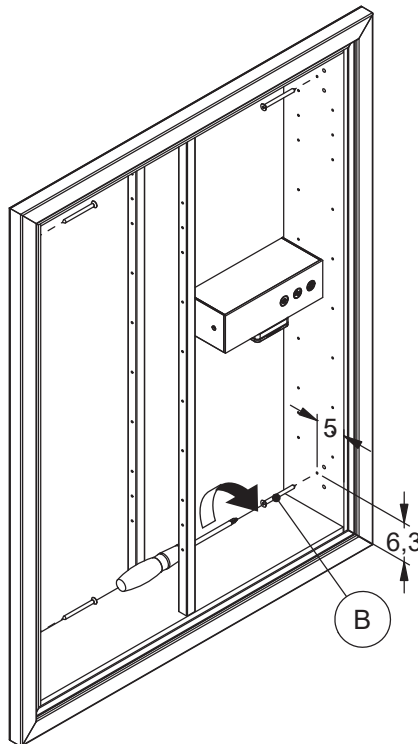
# 11



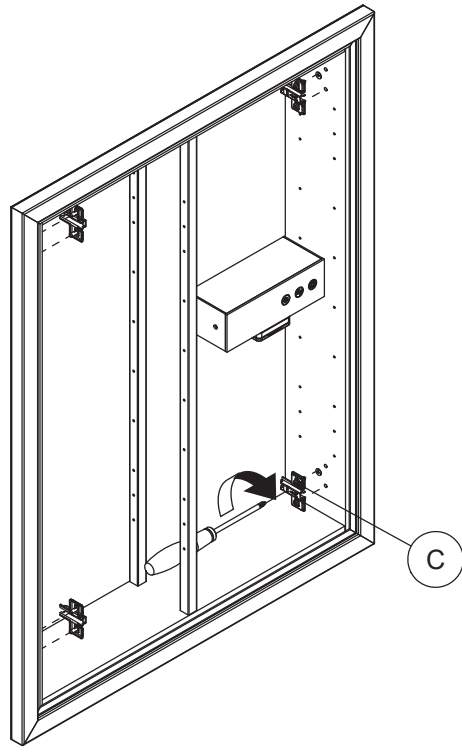
# 12



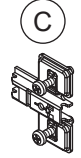
# 13



# 14




(C)



4x/6x  
190040245

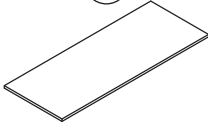
# 15

(D)

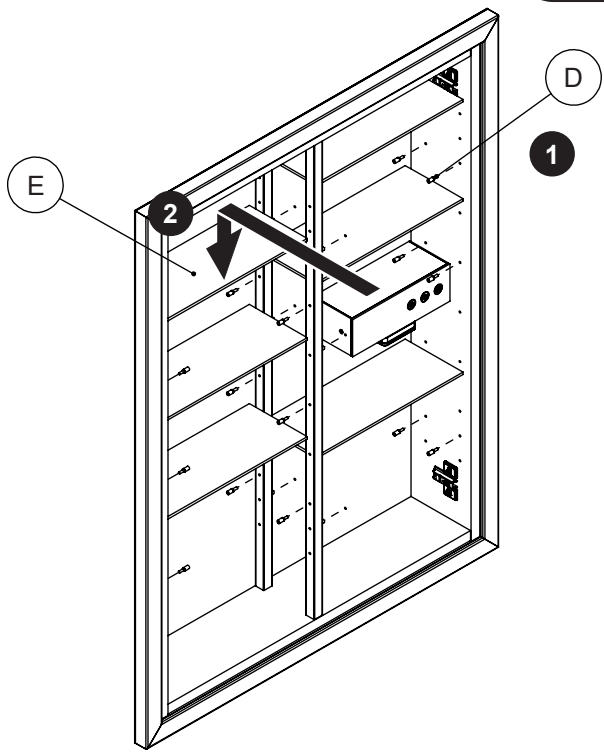


24x/36x  
415533

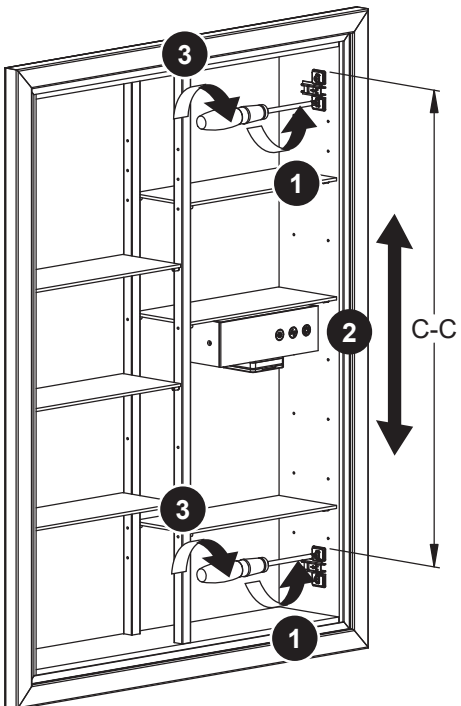
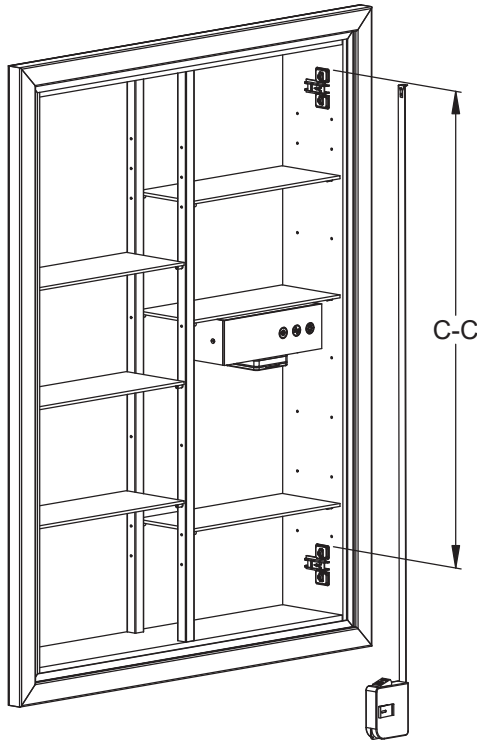
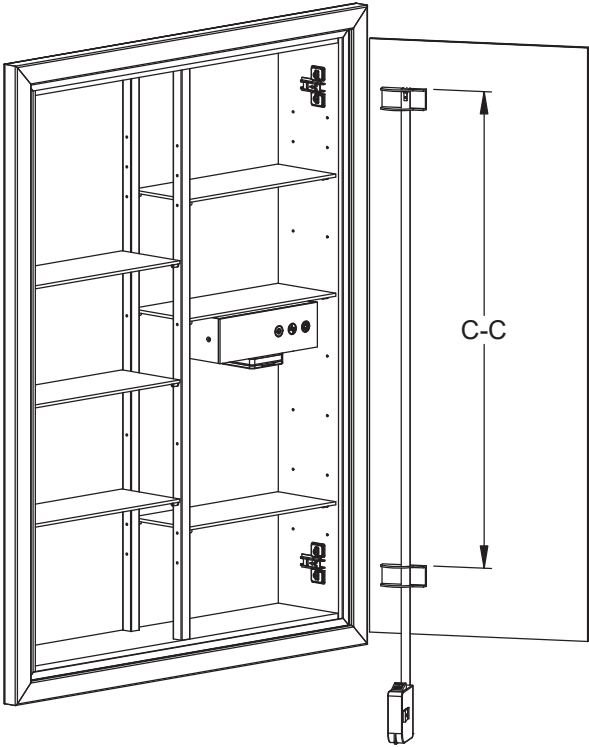
(E)

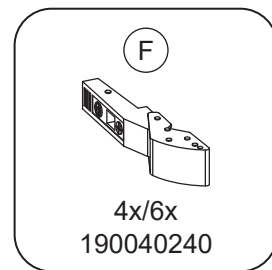


6x/9x  
8208x0101

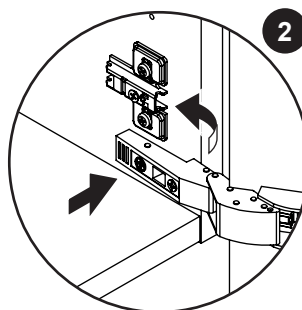
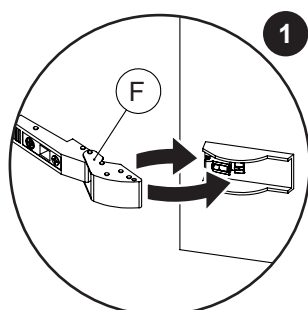
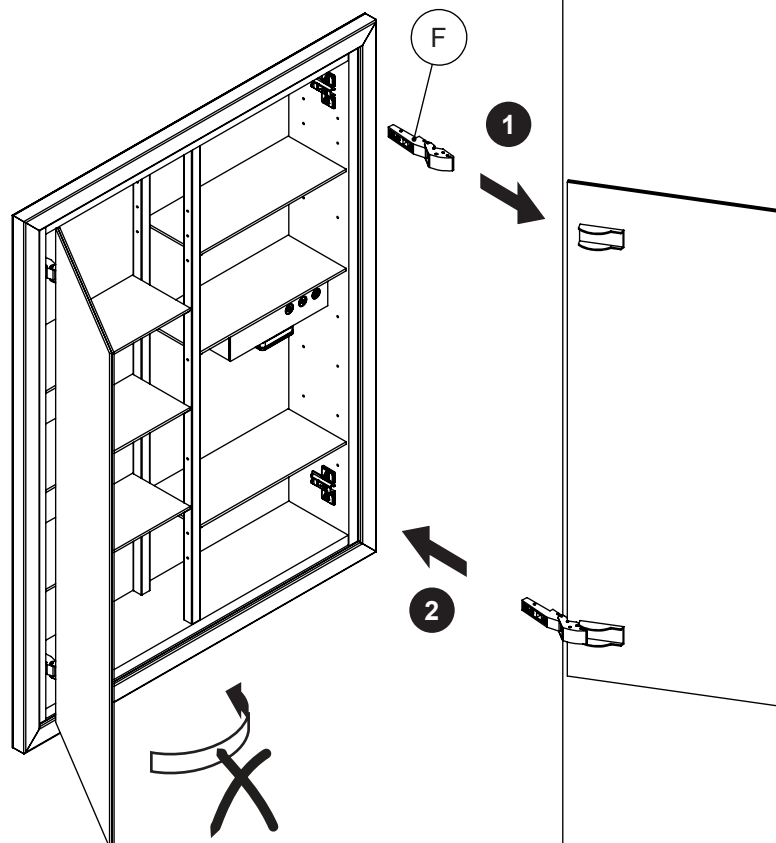









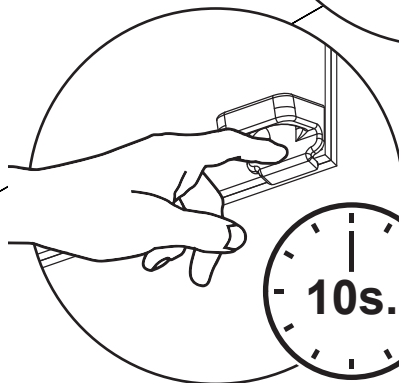
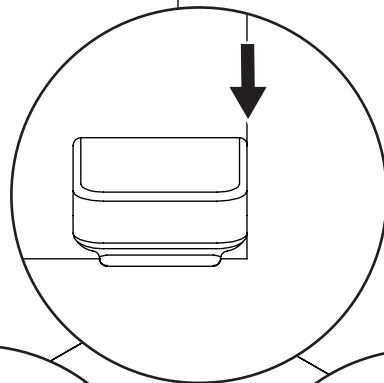
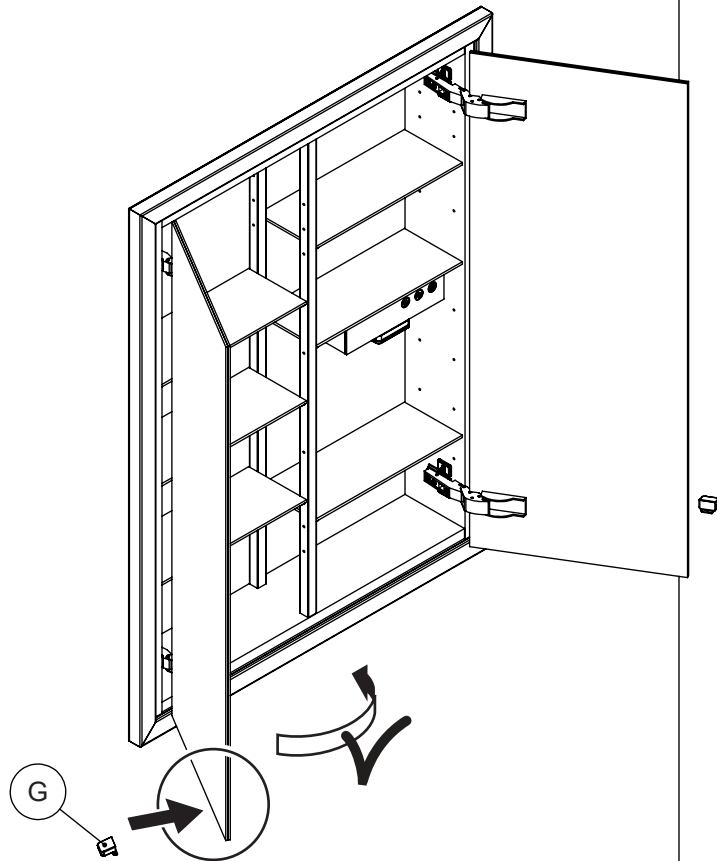
4x/6x  
190040240



G



2x/3x  
840400147



Ⓜ  
o  
4x/6x  
1950000

