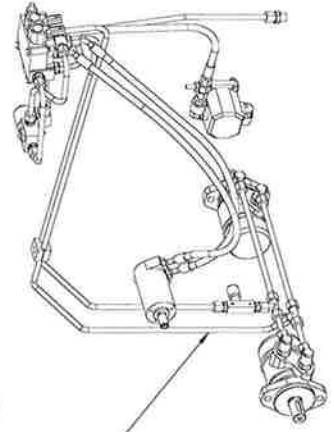
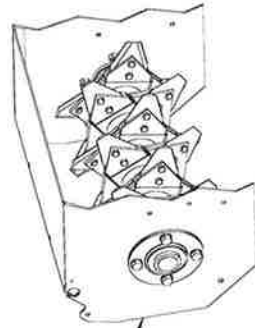
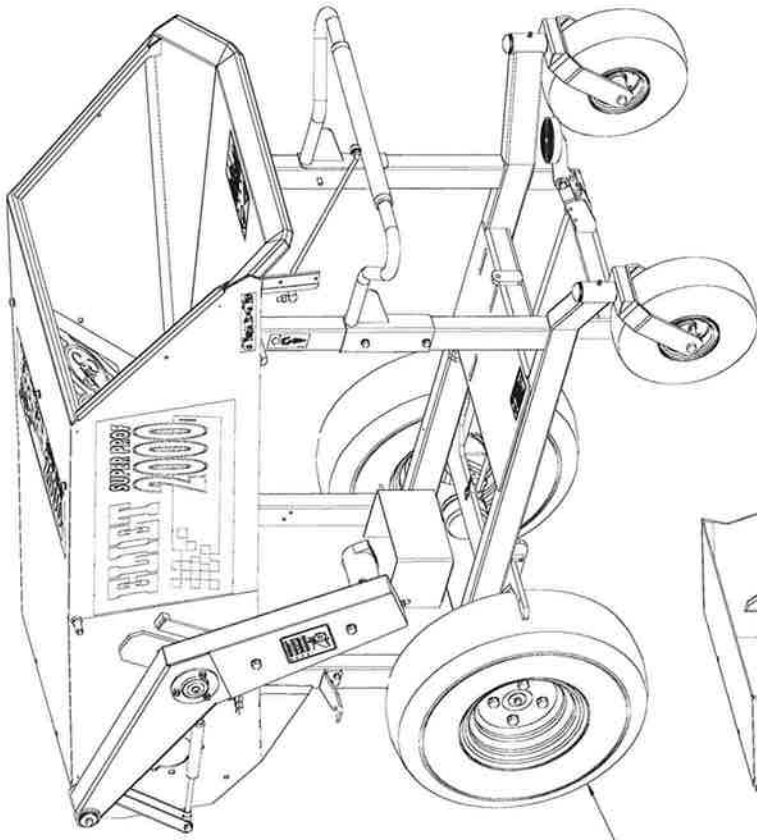


α K1200



110

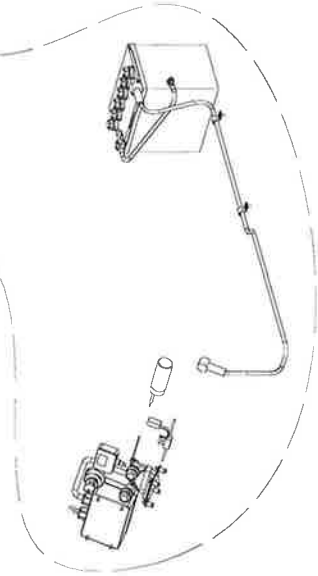
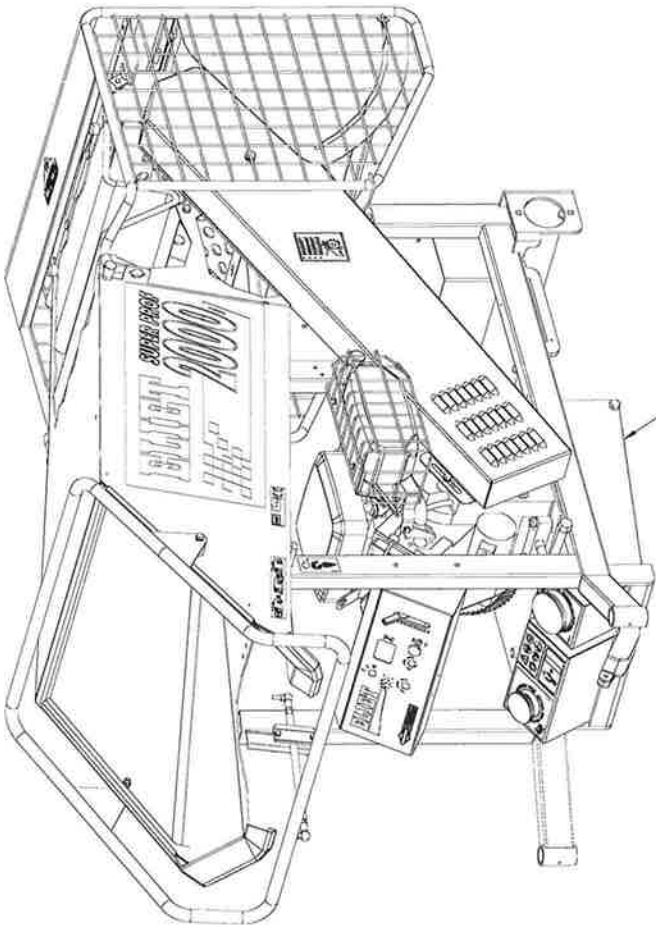
140


110

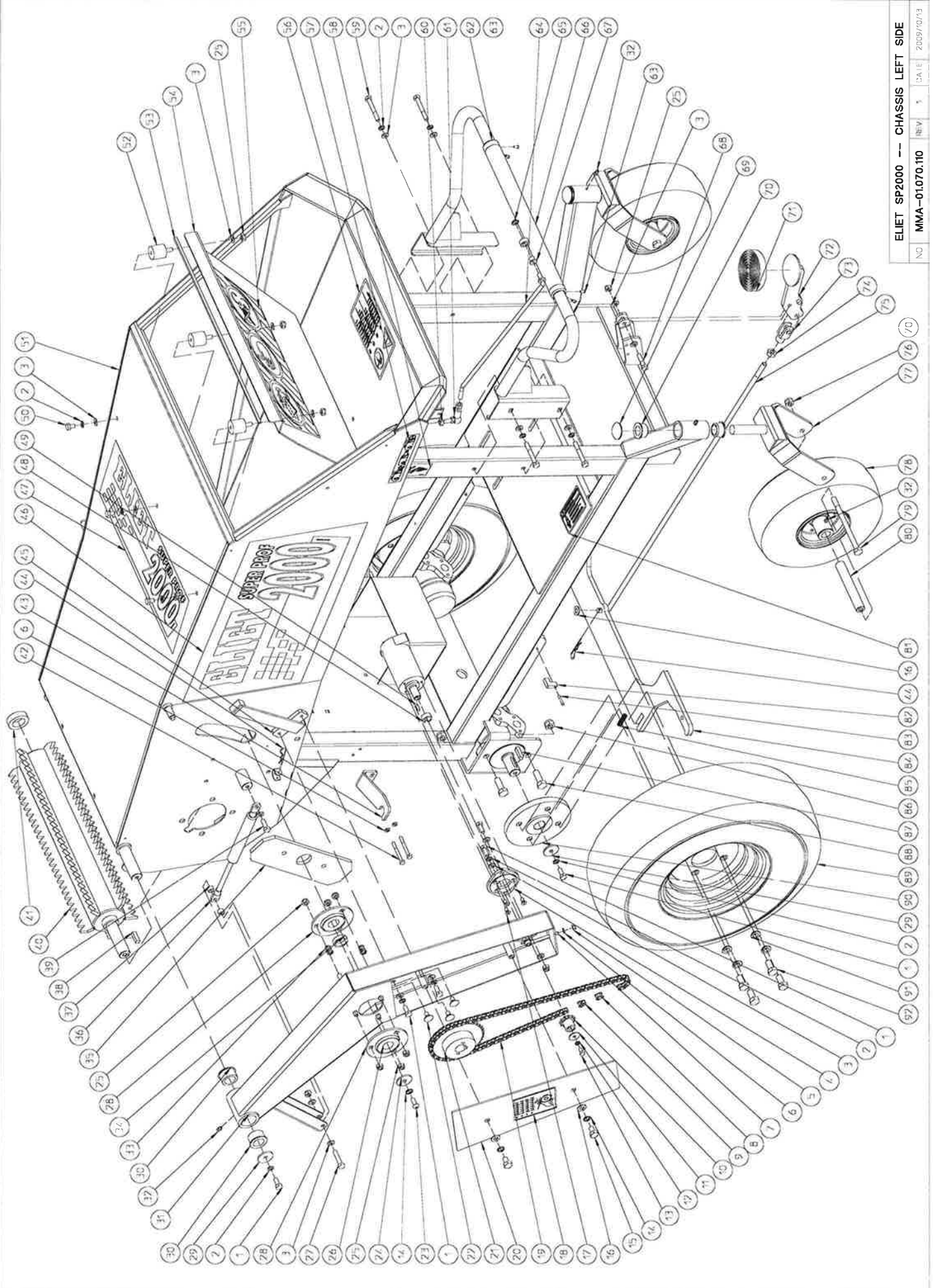
150

170

200



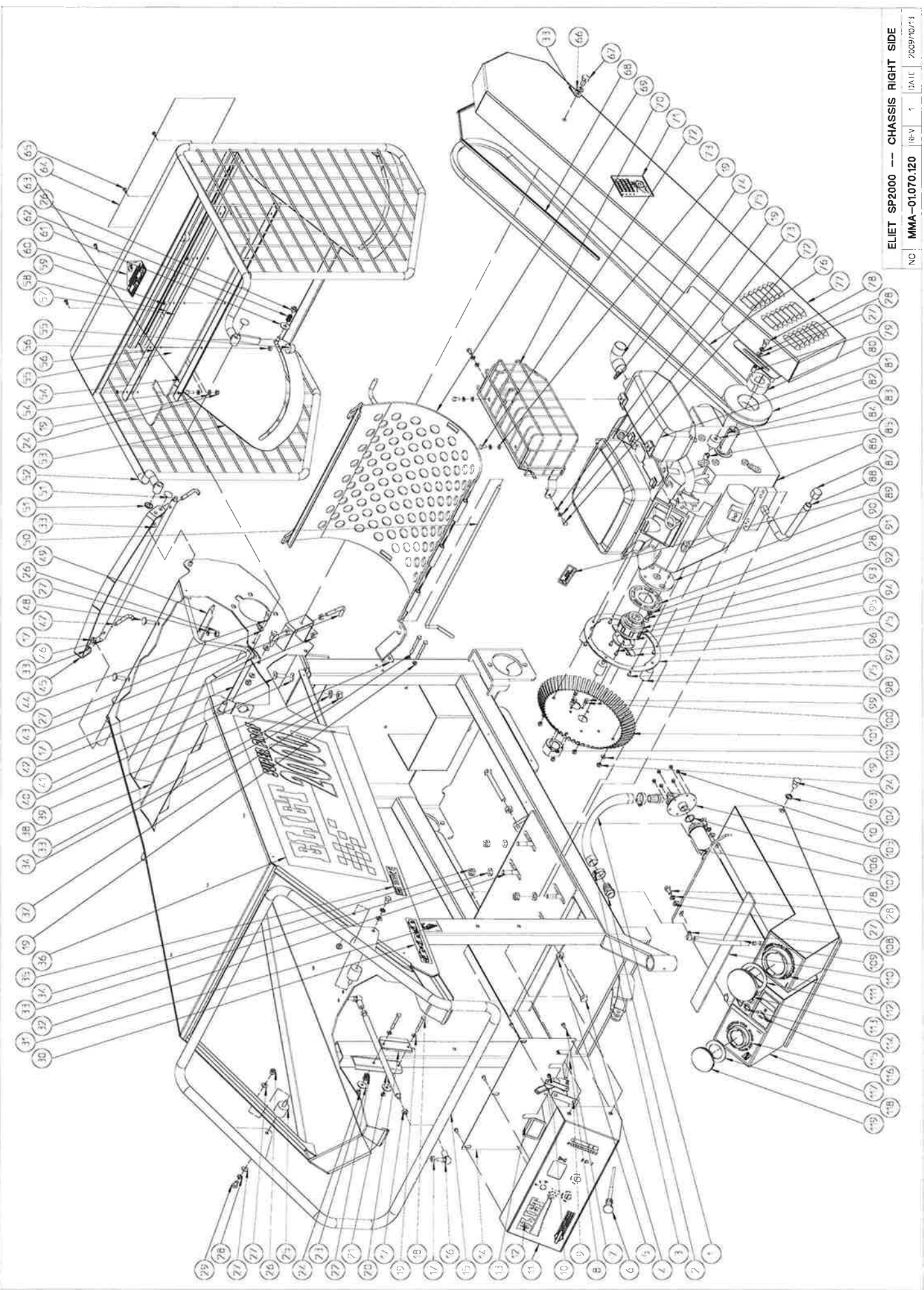
	Order nr	Description	#
110	MMA 01 070 110	MACHINE LEFT SIDE	1
120	MMA 01 070 120	MACHINE RIGHT SIDE	1
130	MMA 01 070 130	ROTOR	1
140	MMA 01 070 140	HYDRAULIC SYSTEM	1
150	MMA 01 070 150	ELECTRICAL SYSTEM	1



ELIET SP2000 -- CHASSIS LEFT SIDE
 NO MMA-01.070.10
 NEW
 CA 1E
 2009/07/13

#	Order nr	Description	#
1	BS 512 000 820	BOLT M8X20 DIN 933	7
2	BS 534 000 800	LOCK WASHER M8 DIN 6798A	13
3	BS 531 000 800	WASHER M8 DIN 125	21
4	BH 330 600 000	FLANGE HYDRAULIC ENGINE	1
5	BS 502 000 600	SELF LOCKING NUT M6 DIN 985	3
6	BS 531 000 600	WASHER M6 DIN 125	5
7	BS 551 100 646	EYE BOLT M6X70 DIN 444	1
8	BA 151 200 000	CONNECTING CHAIN LINK SIMPLEX 3/8"X7/32"	1
9	BA 151 400 000	CONNECTING CHAIN LINK SIMPLEX (1/2) 3/8"X7/32"	1
10	BA 161 011 163	SPROCKET SIMPLEX 3/8"X7/32" 11T	1
11	BS 532 006 253	WASHER M6X25X1.5	1
12	BS 534 000 600	LOCK WASHER M6 DIN 6798A	1
13	BS 512 000 612	BOLT M6X12 DIN 933	1
14	BS 534 001 000	LOCK WASHER M10 DIN 6798A	3
15	BS 512 001 016	BOLT M10X16 DIN 933	2
16	BS 531 001 000	WASHER M10 DIN 125	3
17	BS 544 500 614	BOLT M6X14 ISO 7046	3
18	BQ 505 010 130	SAFETY STICKER 100X80 (BELT TRANSMISSION)	1
19	BA 101 104 020	CHAIN SIMPLEX 3/8"X7/32" 104L	1
20	MPA 01 070 040	CHAIN PROTECTION	1
21	BA 161 040 251	SPROCKET SIMPLEX 3/8"X7/32" 40T	1
22	BS 554 100 816	BOLT M8X16 DIN 603	6
23	BS 522 500 820	SCREW M8X20 ISO 7380	1
24	BS 532 010 356	WASHER M10X35X3	1
25	BS 502 000 800	SELF LOCKING NUT M8 DIN 985	12
26	BL 512 505 203	BEARING AS 205	2
27	BS 512 000 840	BOLT M8X40 DIN 933	1
28	BL 711 502 500	FLANGES PF 205	2
29	BS 532 008 356	WASHER M8X35X3	3
30	BR 112 262 110	NYLON BUSHING WITH COLLAR (26/35.5/40x21/2)	2
31	MPA 01 070 120	ARM FEED ROLLER	1
32	BY 100 106 100	GREASE FITTING M6 DIN 71412	5
33	BV 911 000 010	SPRING 14X2X16	2
34	MPA 01 070 440	SPACER RING	1
35	BR 910 000 040	NYLON COVER SP2000	1
36	BV 521 010 001	GAS STRUTS 500N X 100MM	1
37	MPA 01 070 420	BUSHING	2
38	BB 341 080 826	KEY 8X8X26 DIN 6880	1
39	BS 512 000 825	BOLT M8X25 DIN 933	1
40	MPA 01 070 030	IN FEED ROLLER	1
41	BR 111 291 310	NYLON BUSHING (28.5/44x13)	1
42	BS 511 000 643	BOLT M6X55 DIN 931	2
43	MPA 01 070 720	STABILISATION REAR PROTECTION RIGHT	1
44	BB 040 102 040	HAIRPIN COTTER 2MM DIN 11024	2
45	MPA 01 070 250	ARM RETAINER	1
46	BQ 501 070 020	STICKER ELIET SP 2000 640X280	1
47	BQ 501 070 010	STICKER ELIET SP 2000 470X220	1
48	MPA 01 070 430	SPACER RING	1
49	BB 351 050 516	KEY 5X5X16 DIN 6885A	1
50	BS 512 000 812	BOLT M8X12 DIN 933	3
51	MPA 01 070 010	CHASSIS	1

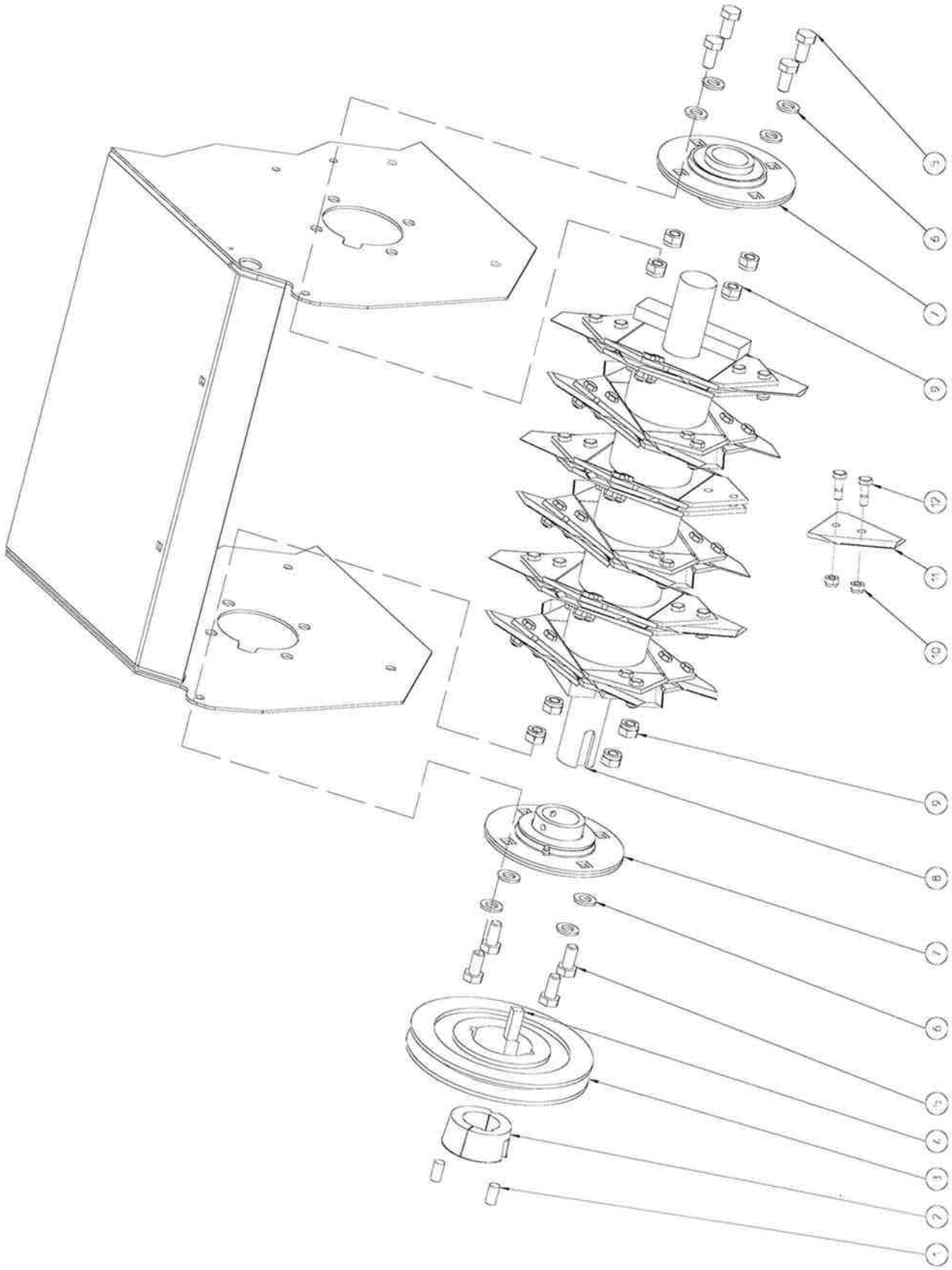
52	BR 600 130 301	ANTIVIBRATION BLOCKS 30X30B M8X16	3
53	BR 000 910 530	RUBBER U-MOULDING 530MM	1
54	MPA 01 070 170	ANTI PROJECTION SHIELD	1
55	BQ 505 010 100	SAFETY STICKER 465X200 (SHIELD)	1
56	BQ 505 010 110	SAFETY STICKER 190X125 (IN FEED)	1
57	BQ 501 060 081	STICKER IN FEED ROLLER CONTROL SP2000 (L)	1
58	BQ 501 060 090	STICKER HOOK ATTACHMENT	1
59	BS 511 000 844	BOLT M8X60 DIN 931	4
60	BS 501 000 800	NUT M8 DIN 934	2
61	BA 230 010 800	BALL JOINT M8	1
62	BR 910 000 010	NYLON BUSHING WITH COLLAR (25/30/34x30/15)	2
63	BB 221 104 100	POP PLUG ALU 3.9X10 DIN 7337 A	4
64	MPA 01 070 380	LINK ROD TRACTION CONTROL	1
65	BB 011 000 080	STARLOCK 8MM	1
66	MPA 01 070 060	PUSH BRACKET	1
67	BR 112 081 300	NYLON BUSHING WITH COLLAR (8/11/16x13/2)	1
68	BS 511 000 835	BOLT M8X35 DIN 931	1
69	BB 011 000 200	STARLOCK 20MM	2
70	BR 112 201 910	NYLON BUSHING WITH COLLAR (20.5/30/35x19/2.5)	6
71	BR 900 000 110	RUBBER SOCKS DIA 90X18MM	1
72	MPA 01 070 130	BRAKE PEDAL	1
73	BS 556 001 000	FORK M10X20 DIN 71752	1
74	BS 501 001 000	NUT M10 DIN 934	1
75	MPA 01 070 190	BRAKE ROD	1
76	BS 502 001 000	SELF LOCKING NUT M10 DIN 985	2
77	MPA 01 070 140	FRONT WHEEL FORK	2
78	BW 029 020 100	FRONT WHEEL 4.00-4	2
79	BS 511 001 055	BOLT M10X150 DIN 931	2
80	MPA 01 070 390	FRONT WHEEL AXLE	2
81	BQ 505 010 040	SAFETY STICKER 60X100 (SPARK PLUG)	1
82	BR 910 000 050	NYLON TOUCH BLOCK	2
83	BB 221 004 250	POP PLUG STEEL 3.9X25 DIN 7337 A	2
84	MPA 01 070 200	BRAKE	1
85	BV 907 000 020	SPRING 10X1X60	2
86	BS 502 001 200	SELF LOCKING NUT M12 DIN 985	4
87	BB 351 080 732	KEY 8X7X32 DIN 6885A	2
88	BS 512 001 235	BOLT M12X35 DIN 933	4
89	BW 054 060 000	REAR WHEEL 6,00-9 6PR	2
90	BA 281 504 501	HUB REAR WHEEL M12X1.5	2
91	BS 535 301 210	LOCK CUP WASHER M12 DIN 74361	8
92	BS 512 301 225	BOLT M12X1.5X25 DIN 961	8



#	Order nr	Description	#
1	BR 200 219 038	SUCKING HOSE 19X380MM	1
2	BT 136 260 820	INSERT CONNECTOR FOR HOSE 20X1/2	2
3	BT 670 117 290	HOSE CLAMP 17X29MM	2
4	BS 512 001 050	BOLT M10X100 DIN 933	2
5	BS 501 001 000	NUT M10 DIN 934	2
6	BK 181 151 060	CHOKE CONTROL	1
7	BS 549 014 813	SCREW Ø4.8X13 DIN 7981	6
8	BM 260 692 541	THROTTLE CONTROL	1
9	MPA 01 070 280	SPACER	1
10	BS 502 000 500	SELF LOCKING NUT M5 DIN 985	8
11	MPA 01 070 100	CONTROL PANEL	1
12	BQ 501 060 030	STICKER DASHBOARD	1
13	MPA 01 070 360	SPACER HOUR COUNTER	1
14	MPA 01 070 050	DASHBOARD COVER	1
15	MPA 01 070 150	CONTROL HANDLE BAR IN FEED ROLLER	1
16	BA 230 010 800	BALL JOINT M8	2
17	BS 501 000 800	NUT M8 DIN 934	9
18	BS 511 000 641	BOLT M6X45 DIN 931	2
19	BS 531 000 600	WASHER M6 DIN 125	22
20	MPA 01 070 310	CONTROL BRAKE	1
21	MPA 01 070 370	LINK ROD	1
22	BV 911 000 010	SPRING 14X2X16	2
23	BS 532 006 253	WASHER M6X25X1.5	2
24	BS 502 000 600	SELF LOCKING NUT M6 DIN 985	12
25	BR 600 130 301	ANTIVIBRATION BLOCKS 30X30B M8X16	2
26	BS 502 000 800	SELF LOCKING NUT M8 DIN 985	10
27	BS 531 000 800	WASHER M8 DIN 125	17
28	BS 534 000 800	LOCK WASHER M8 DIN 6798A	6
29	BS 512 000 812	BOLT M8X12 DIN 933	2
30	BQ 501 060 080	STICKER IN FEED ROLLER CONTROL SP2000 (R)	1
31	BQ 501 060 090	STICKER HOOK ATTACHMENT	1
32	MPA 01 070 230	ENGINE FIXING PLATE	1
33	BS 531 001 000	WASHER M10 DIN 125	11
34	BS 502 001 000	SELF LOCKING NUT M10 DIN 985	8
35	BQ 505 010 010	IDENTITY STICKER CE 120X30	1
36	BQ 501 070 020	STICKER ELIET SP 2000 640X280	1
37	BS 511 000 643	BOLT M6X55 DIN 931	2
38	BR 900 001 110	RUBBER SILENCER PLATE	1
39	MPA 01 070 730	STABILISATION REAR PROTECTION LEFT	1
40	MPA 01 070 180	FIXATION PROFILE	1
41	BS 522 101 030	SCREW M10X30 DIN 7991	4
42	MPA 01 070 320	U - SUPPORT RUBBER	1
43	MPA 01 010 180	BELT CATCHER	2
44	BS 512 000 820	BOLT M8X20 DIN 933	4
45	MPA 01 070 020	HANDLE LOCKING GRID	1
46	MPA 01 070 220	AXLE CLOSING GRATING	1
47	MPA 01 070 400	HOOK FOR RAPID FASTENER	2
48	BS 554 100 830	BOLT M8X30 DIN 603	2
49	MPA 01 070 330	SUPPORT RUBBER	1
50	MPA 01 070 210	AXLE GRATING	1
51	BB 011 000 090	STARLOCK 9MM	4

52	MPA 01 070 080	REAR SAFETY GUARD	1
53	MPA 01 070 090	ANTI PROJECTION SHIELD	1
54	BS 512 000 616	BOLT M6X16 DIN 933	4
55	BR 600 425 170	ANTIVIBRATION BLOCKS 25X17B M6X18	2
56	BS 501 000 600	NUT M6 DIN 934	2
57	BR 900 001 320	RUBBER ANTI PROJECTION FLAP	1
58	MPA 01 070 710	MOUNTING PIECE RUBBER	1
59	BB 221 105 160	POP PLUG ALU 4.8X16 DIN 7337 A	4
60	BQ 505 010 070	SAFETY STICKER 100X80 (HAND CUTS)	1
61	BS 532 008 253	WASHER M8X25X1.5	4
62	BV 907 000 010	SPRING 12X1.5X16	2
63	MPA 01 070 700	MOUNTING PIECE RUBBER	1
64	BQ 501 070 010	STICKER ELIET SP 2000 470X220	1
65	BB 221 105 100	POP PLUG ALU 4.8X10 DIN 7337 A	4
66	BS 533 001 000	LOCK WASHER M10 DIN 127B	1
67	BS 512 001 020	BOLT M10X20 DIN 933	1
68	BR 000 911 120	RUBBER U-MOULDING 1120MM	1
69	MPA 01 070 070	CALIBRATING GRATING 25MM	1
70	BM 261 300 100	MUFFLER GUARD	1
71	BQ 505 010 130	SAFETY STICKER 100X80 (BELT TRANSMISSION)	1
72	BS 512 000 612	BOLT M6X12 DIN 933	4
73	BS 533 000 600	LOCK WASHER M6 DIN 127B	4
74	BT 122 172 828	COPPER ELBOW 28MM	1
75	BB 221 005 100	POP PLUG STEEL 4.8X10 DIN 7337 A	9
76	BA 521 323 600	BELT XPB 2360	1
77	MPA 01 070 160	BELT PROTECTION	1
78	BS 512 000 816	BOLT M8X16 DIN 933	3
79	BB 501 310 160	SET SCREW 3/8"X5/8"	2
80	BB 501 231 600	TAPER LOCK TL 1610-1"	1
81	BM 261 300 200	MUFFLER	1
82	BA 563 712 501	PULLEY SPB 125 FOR TAPER LOCK TL1610	1
83	BB 342 060 657	KEY 6.35X6.35X57 DIN 6880	1
84	BR 600 130 201	ANTIVIBRATION BLOCKS 30X20B M8X20	1
85	BS 747 600 812	THREADED BUSHING TYPE 300	1
86	BM 201 318 001	B&S VANGUARD TWIN 18 HP	1
87	BT 174 150 600	TERMINAL NUT 3/8"	1
88	BM 261 300 400	DRAINING PIPE	1
89	BQ 505 010 030	STICKER MAX 3200 RPM 90X25	1
90	MPA 01 070 340	ATTACHMENT DISK FOR ELASTIC COUPLING	1
91	MPA 01 070 260	CONNECTING DISK FOR ELASTIC COUPLING	1
92	BS 521 100 812	SCREW M8X12 DIN 912	1
93	BA 201 232 000	ELASTIC COUPLING ALU FLANGE (ENGINE SIDE)	1
94	BA 201 240 000	ELASTIC COUPLING RUBBER FLECTOR	1
95	BA 201 220 101	ELASTIC COUPLING ALU FLANGE (PUMP SIDE)	1
96	MPA 01 070 270	ROTATION SPEED REFERENCE	1
97	MPA 01 070 300	ENGINE HOUSING REINFORCEMENT	1
98	BR 600 125 301	ANTIVIBRATION BLOCKS 25X30A M6X10	4
99	BS 512 000 516	BOLT M5X16 DIN 933	3
100	BS 533 000 500	LOCK WASHER M5 DIN 127B	3
101	MPA 01 070 290	SUPPORT BRACKET HYDRO-PUMP	1
102	BR 910 000 060	SENSOR ADAPTER	1
103	BS 512 001 216	BOLT M12X16 DIN 933	2
104	BH 809 012 100	SEAL 12MM	2

105	MPA 01 070 240	HYDRAULIC OIL FILTER ADAPTER	1
106	BH 805 021 150	COPPER SEAL 21X26X1.5	1
107	BH 280 108 000	HYDRAULIC FILTER 1/2"	1
108	BT 670 109 110	HOSE CLAMP 9X11MM	1
109	BR 200 207 018	PETROL HOSE	1
110	BR 900 001 240	RUBBER SPACER	1
111	BQ 501 060 040	STICKER FUEL TANK	1
112	BH 720 301 060	RUBBER SEAL FOR TANK D60	1
113	BH 720 101 060	CAP FOR TANK B60	1
114	BQ 505 010 050	SAFETY STICKER 60X100 (PICTOGRAM)	1
115	BQ 505 010 150	SAFETY STICKER 60X100 (DISTANCE)	1
116	BQ 501 060 050	STICKER HYDRAULIC OIL TANK	1
117	MPA 01 070 110	FUEL - HYDRAULIC OIL TANK	1
118	BH 720 301 040	RUBBER SEAL FOR TANK D40	1
119	BH 720 101 040	CAP FOR TANK B40	1



ELJET SP2000 — ROTOR

NO MMA-01.070.330

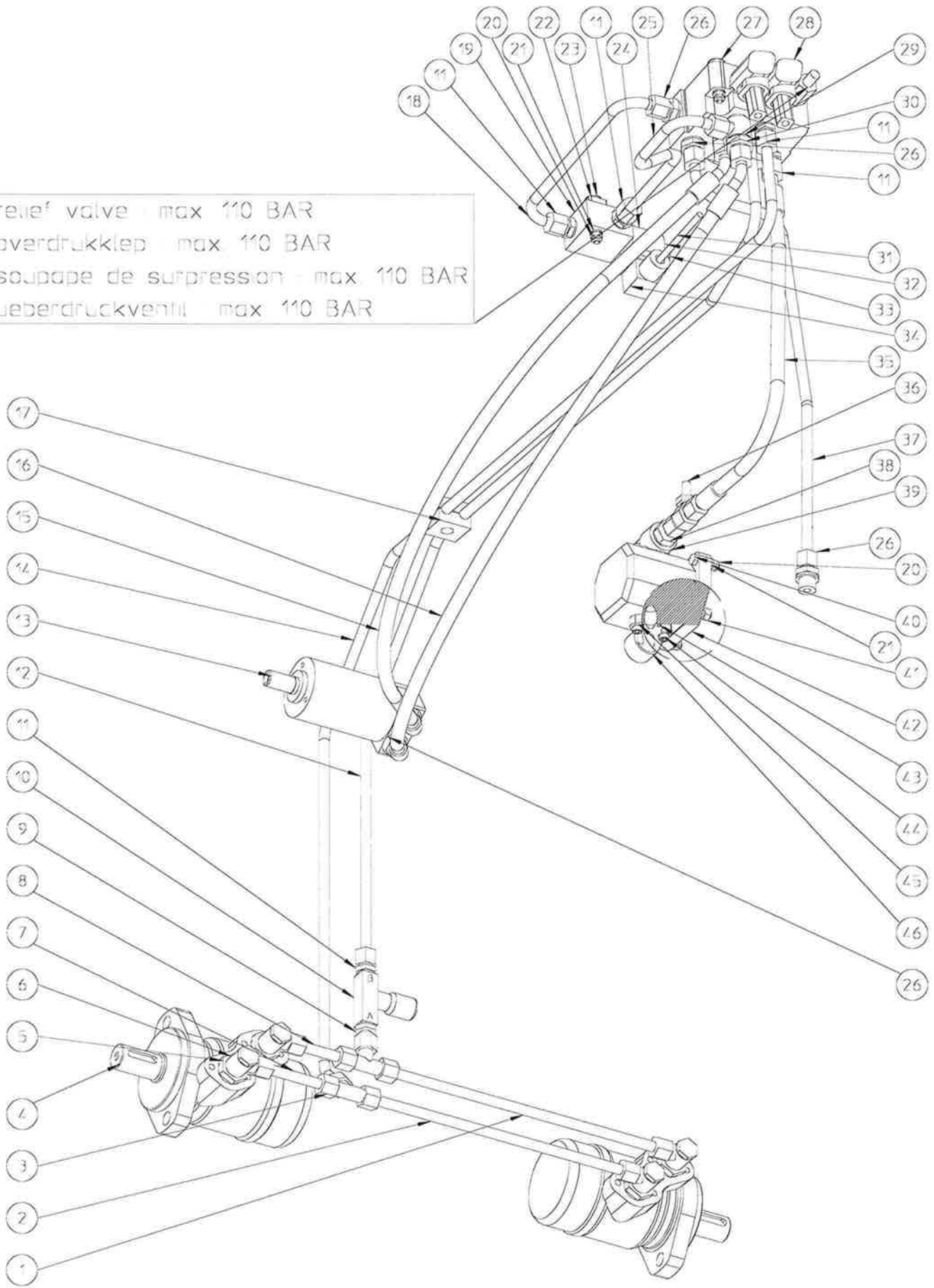
REV 1

DATE

2006/06/12

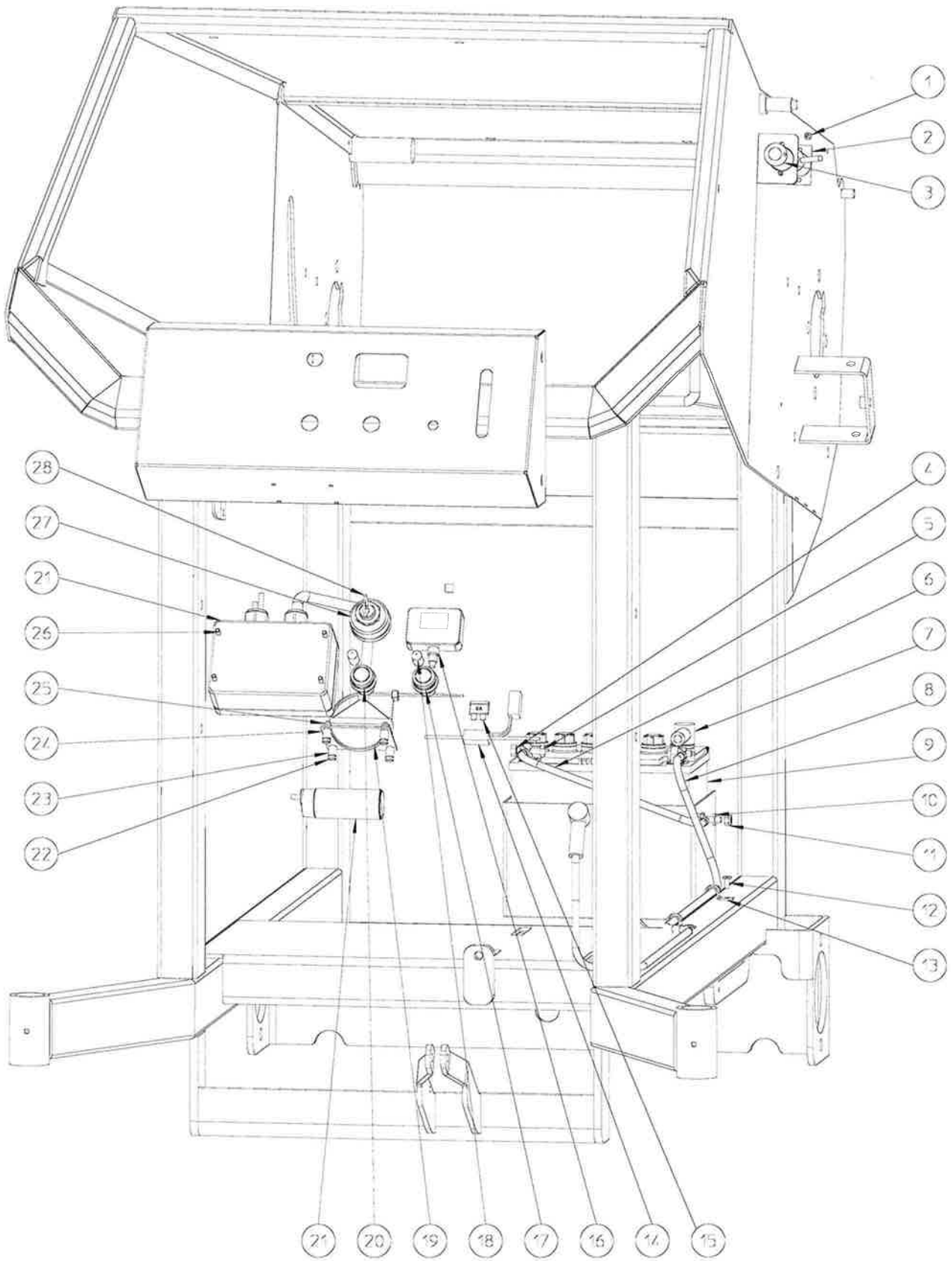
④	Order nr	Description	#
1	BB 501 311 220	SET SCREW 7/16"X7/8"	2
2	BB 501 154 000	TAPER LOCK TL 2012-40	1
3	BA 563 719 001	PULLEY SPB 190 FOR TAPER LOCK TL2012	1
4	BB 341 121 035	KEY 12X10X35 DIN 6880	1
5	BS 512 001 225	BOLT M12X25 DIN 933	8
6	BS 531 001 200	WASHER M12 DIN 125	8
7	BL 801 604 001	KIT BEARING UCPF 208 COMPLETE	2
8	MPA 01 070 810	ROTOR	1
9	BS 502 001 200	SELF LOCKING NUT M12 DIN 985	8
10	BS 502 000 811	SELF LOCKING NUT M8X1 Gr.10 DIN 985	0
11	BU 401 300 202	SET OF KNIVES (24)	1
12	BS 011 300 827	BOLT M8X1X27 Gr.10 DIN 960	0

relief valve - max 110 BAR
 overdrukklep - max 110 BAR
 soupape de suppression - max 110 BAR
 ueberdruckventil - max 110 BAR



ELIET SP2000 -- HYDRAULIC SYSTEM					
NO	MMA-01.070.140	REV	1	DATE	2009/10/13

#	Order nr	Description	#
1	MPA 01 070 530	HYDRAULIC PIPE 10X317	1
2	MPA 01 070 520	HYDRAULIC PIPE 10X301	1
3	BH 510 011 000	EQUAL TEE 10L	2
4	BH 331 410 000	HYDRAULIC ENGINE EPM N 100CC	2
5	BH 514 100 804	REDUCTION STUD (M-F) 1/2"-1/4"	4
6	BH 513 111 004	BANJO 10Lx1/4"	4
7	MPA 01 070 510	HYDRAULIC PIPE 10X87	1
8	MPA 01 070 500	HYDRAULIC PIPE 10X71	1
9	BH 512 611 004	STANDPIPE ADAPTOR 10Lx1/4"	1
10	BH 430 110 400	FLOW CONTROL VALVE 1/4"	1
11	BH 509 211 004	MALE STUD COUPLING 10Lx1/4"	7
12	MPA 01 070 450	HYDRAULIC PIPE (FORWARD DRIVE)	1
13	BH 331 203 210	HYDRAULIC ENGINE EPMM 32CC	1
14	MPA 01 070 460	HYDRAULIC PIPE (REVERSE DRIVE)	1
15	BH 551 040 870	FLEXIBLE HYDRAULIC HOSE 1/4"x870	1
16	BH 551 040 890	FLEXIBLE HYDRAULIC HOSE 1/4"x895	1
17	BH 711 020 100	PIPE CLAMP B-10MM	6
18	MPA 01 070 490	HYDRAULIC PIPE (ELECTROMAGNETIC VALVE RETURN)	1
19	BH 410 001 100	ELECTRO MAGNETIC VALVE 1/4"	1
20	BS 502 000 600	SELF LOCKING NUT M6 DIN 985	7
21	BS 531 000 600	WASHER M6 DIN 125	7
22	MPA 01 070 350	SPACER	1
23	BS 554 100 642	BOLT M6X50 DIN 603	1
24	BH 410 001 300	SOLENOID 12V DC	1
25	MPA 01 070 470	HYDRAULIC PIPE (ELEC. MAGNETIC VALVE INPUT)	1
26	BH 509 211 006	MALE STUD COUPLING 10Lx3/8"	5
27	BS 554 100 641	BOLT M6X45 DIN 603	2
28	BH 400 006 000	HYDRAULIC VALVE BM 20/2 1/4" A1 Y8	1
29	BH 513 011 004	BANJO WITH INNER HEXAGON 10Lx1/4"	1
30	BH 509 221 018	MALE STUD COUPLING 10LxM18x1	1
31	BE 092 021 701	LIYY WIRE 1MM ² - 1700MM	1
32	BN 760 120 220	ELECTRO MAGNETIC VALVE NUT 1/4	1
33	BH 410 001 200	ELECTRO MAGNETIC VALVE SLIDE 1/4"	1
34	BH 410 001 400	CONNECTOR	1
35	BH 551 040 440	FLEXIBLE HYDRAULIC HOSE 1/4"x445	1
36	BH 563 000 100	MANOMETER COUPLER 10LxM16x2	1
37	MPA 01 070 480	HYDRAULIC PIPE (PUMP RETURN)	1
38	BH 512 631 006	STANDPIPE ADAPTOR 10Sx3/8"	1
39	BH 281 001 100	ELBOW COUPLING 30MM 3/8"	1
40	BS 512 000 625	BOLT M6X25 DIN 933	4
41	BS 501 000 700	NUT M7 DIN 934	1
42	BH 210 103 100	HYDRAULIC PUMP 3.1CC	1
43	BH 802 015 250	O-RING Ø15 x 2,5	2
44	BS 521 100 520	SCREW M5X20 DIN 912	6
45	BS 533 000 500	LOCK WASHER M5 DIN 127B	6
46	BH 281 001 200	ELBOW COUPLING 30MM 1/2"	1



ELIET SP2000 -- ELECTRIC SYSTEM

NO	MMA-01.070.150	REV	1	DATE	2006/06/15
----	----------------	-----	---	------	------------

#	Order nr	Description	#
1	BB 221 104 100	POP PLUG ALU 3.9X10 DIN 7337 A	2
2	BE 120 110 500	SAFETY SWITCH	1
3	BR 020 622 450	PLASTIC COVER 22X45	1
4	BS 501 000 600	NUT M6 DIN 934	2
5	BS 512 000 620	BOLT M6X20 DIN 933	2
6	BE 090 180 331	BLACK WIRE 16MM ² - 1310MM	1
7	BR 701 010 150	TERMINAL COVER	2
8	BE 090 281 031	BATTERY CABLE - TO SOLENOID	1
9	BE 240 120 240	BATTERY 12V 24AH	1
10	BS 531 000 600	WASHER M6 DIN 125	1
11	BS 502 000 600	SELF LOCKING NUT M6 DIN 985	1
12	BB 221 005 100	POP PLUG STEEL 4.8X10 DIN 7337 A	2
13	BE 043 200 100	CABLE CLAMP	2
14	BE 100 020 300	BLADE FUSE HOLDER FHA 1C	1
15	BE 100 700 500	MIDI-BLADE FUSE 5A	1
16	BE 412 730 400	MAINTENANCE METER	1
17	BE 530 040 120	GREEN LIGHT	1
18	BE 510 110 120	LAMP 12V 2W	2
19	BE 043 010 280	WRAP TIE 280X4.5	1
20	BE 530 030 120	RED LIGHT	1
21	BE 700 010 000	ABM POWER CONTROL	1
22	BS 541 000 420	SCREW M4X20 DIN 84	4
23	BR 111 041 000	NYLON BUSHING (4.2/8X10)	4
24	BE 700 011 000	CONNECTING TERMINAL PRINT	1
25	BS 502 000 400	SELF LOCKING NUT M4 DIN 985	4
26	BS 541 000 410	SCREW M4X10 DIN 84	4
27	BM 260 692 318	IGNITION SWITCH	1
28	BM 260 691 959	IGNITION KEY	1