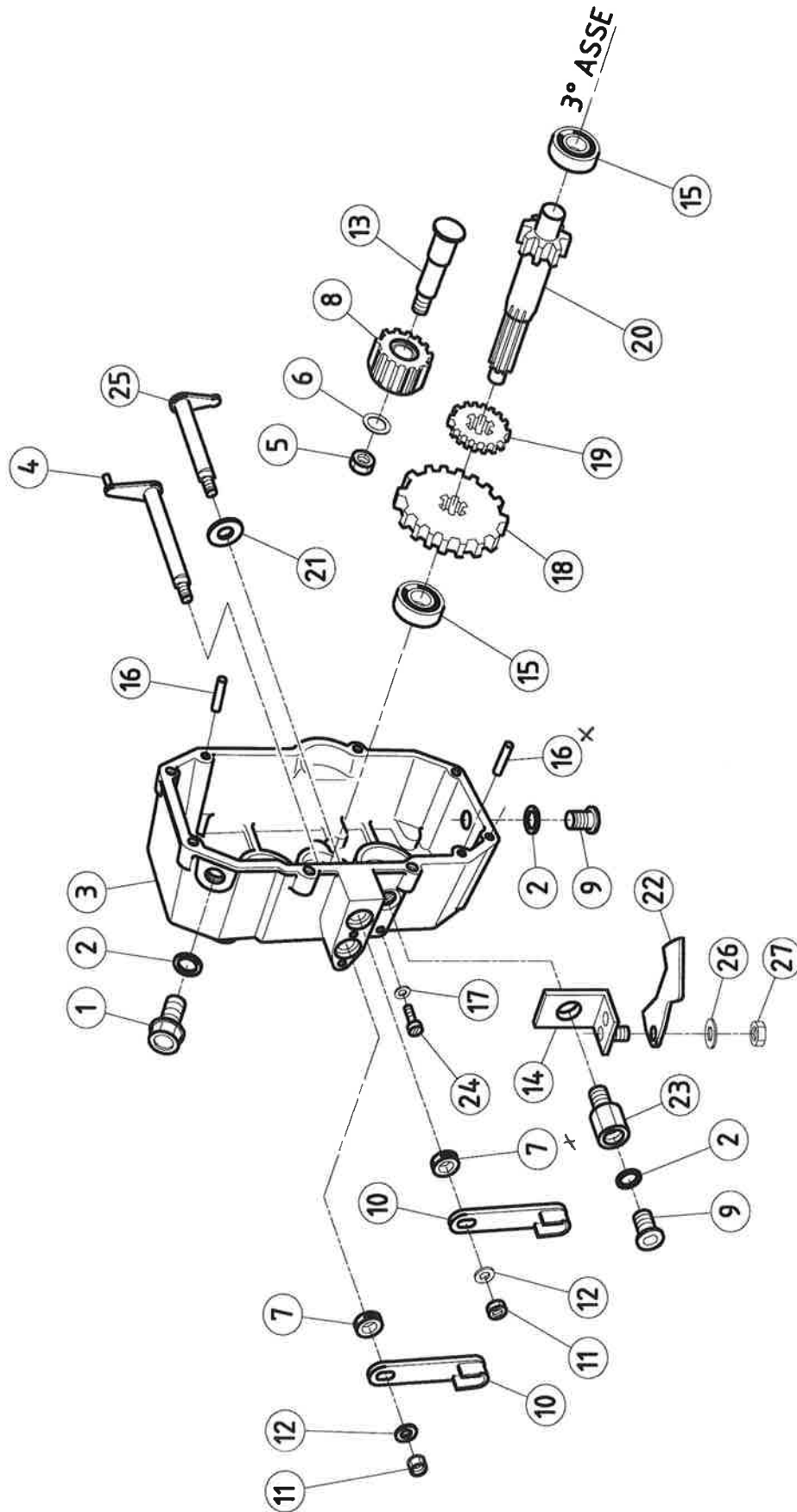


Ny Modell. ⇒

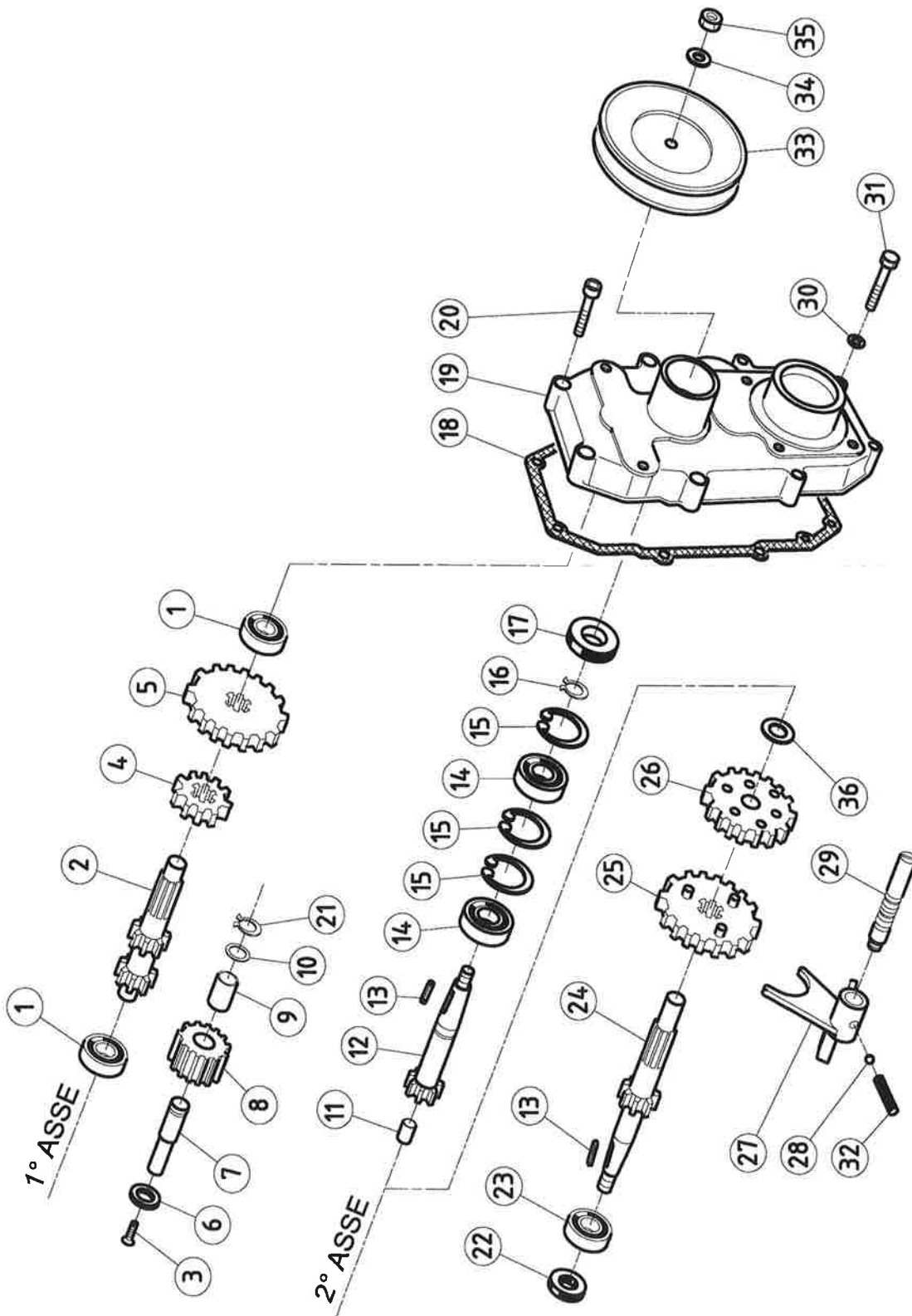
med 2 kaliter på gøle
håndtag.

8304201

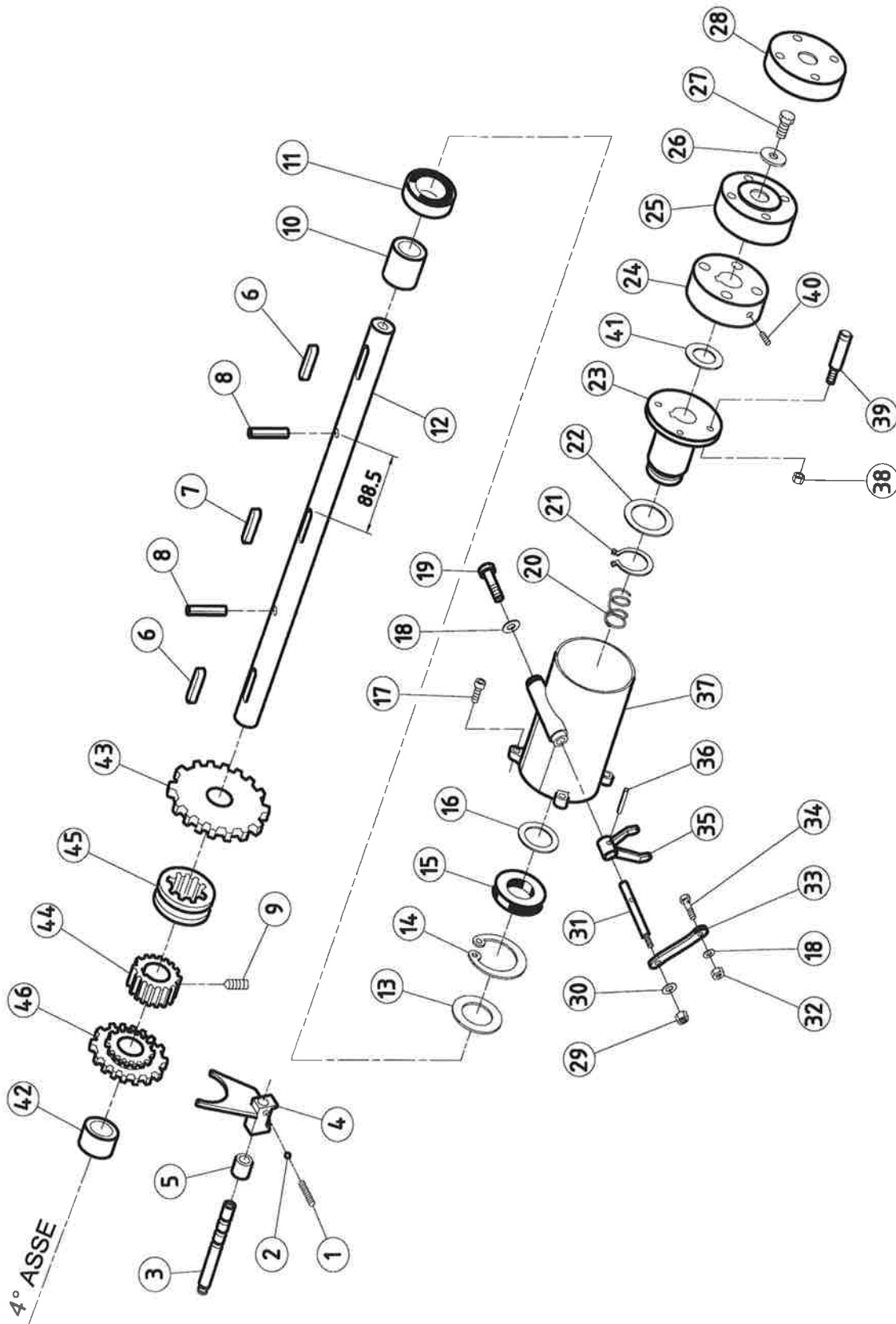
Tav. 1/13



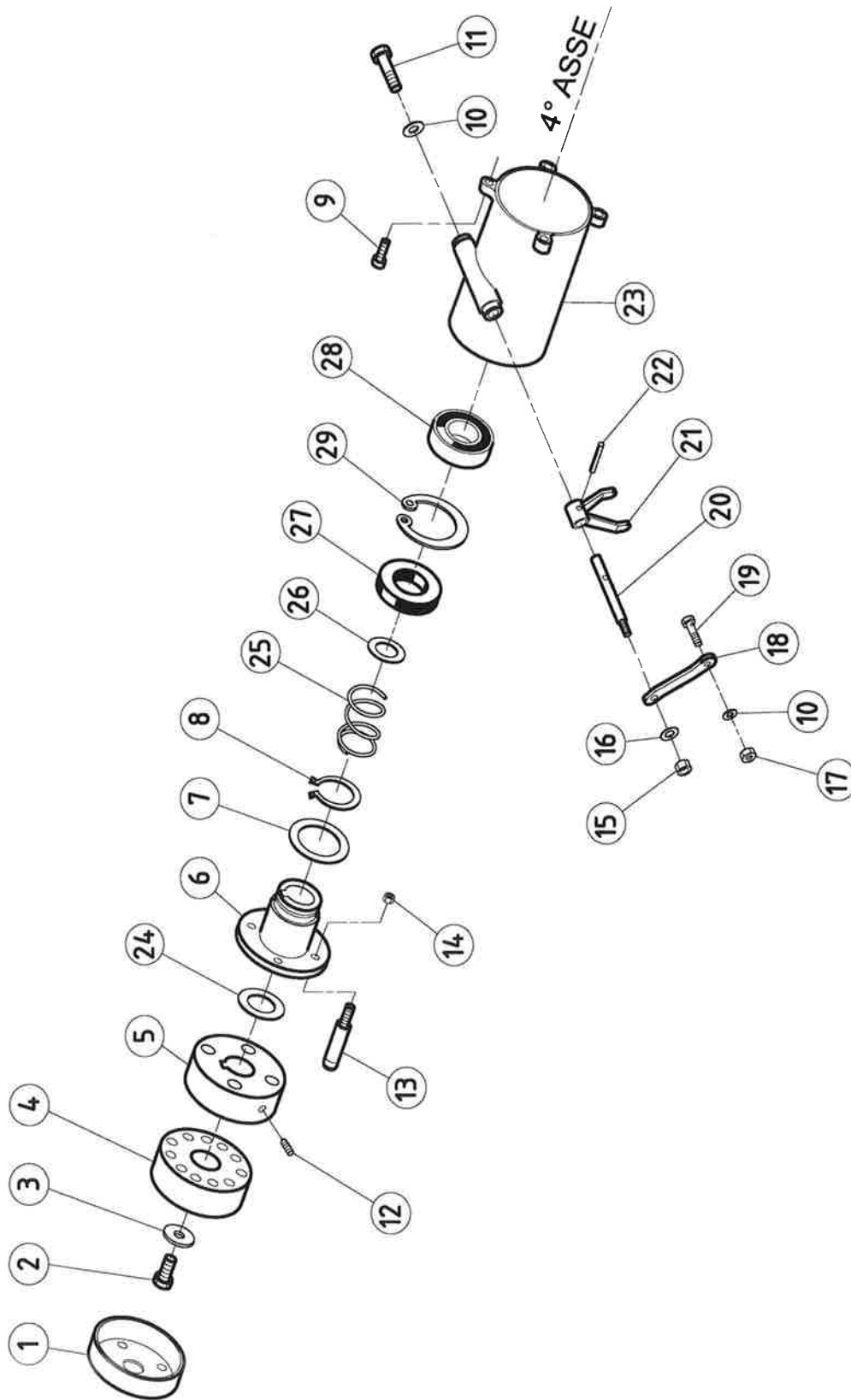
Pos.	Art.No.	Description	Qty
001	CC18800	PLASTIC CAP M16x1.5	NO 1
002	CC18801	FIBER WASHER FOR CUP CC18800	NO 3
003	G082600.1	GEARBOX	NO 1
004	G098700	GEAR CONTROL LEVER	NO 1
005	CC17300	DE LOW U 5589 M12 H7	NO 1
006	CC30100	WAVE WASHER Ø12 DIN 137	NO 1
007	CC31100	SEALING RING 14x22x4	NO 2
008	G097000	PINION	NO 1
009	S174000	INSET HEXAGONAL CUP DIN 908 M16x1.5 V41.1339	NO 2
010	G099900	CONTROL LEVER	NO 2
011	CC00800	DE ALTI U 5587 M8 H8	NO 2
012	CC01800	RPN U 6592 FE 8	NO 2
013	G096700	REVERSING PIN	NO 1
014	G059600	BRACKET	NO 1
015	CC15500	BEARING 17x40x12 6203	NO 2
016	CC31600	CYL. PLUG. 6x20 DIN EN 2338	NO 2
017	CC26000	FIBRE WASHER 6x10	NO 1
018	G097200	FIXED REDUCING GEAR	NO 1
019	G096500	FIXED GEAR	NO 1
020	G096600	PINION	NO 1
021	CC14000	SHIM PS 14x20x0.5	NO 2
022	G097900	SAFETY LEVER	NO 1
023	G059700	HEXAGONAL BUSH 24x35	NO 1
024	CC45700	CHEESE HEAD SCREW M6x12 UNI 21207	NO 1
025	G098800	SLOW/FAST CONTROL LEVER	NO 1
026	CC02700	RPN U 6592 FE 6	NO 1
027	CC01100	SELF-LOCKING B985 M6 H6	NO 1



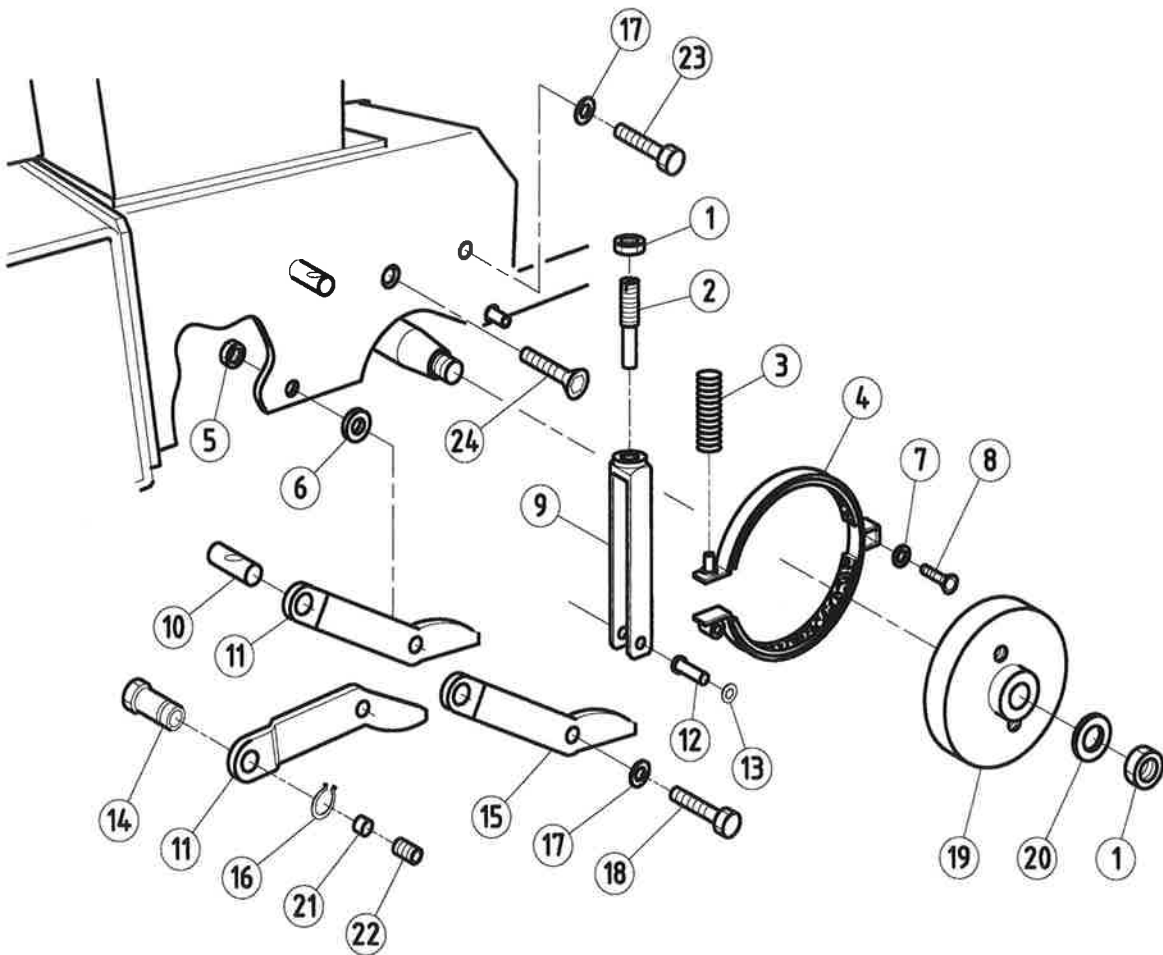
Pos.	Art.No.	Description	Qty	
001	CC15400	BEARING 15x35x11 6202	NO	2
002	G097400	PINION WITH SHAFT 1st gear	NO	1
003	CC05600	VSP U 5933 M6x10	NO	1
004	G080700	FIXED GEAR 2nd SPEED	NO	1
005	G080600	PRIMARY PINION GEAR	NO	1
006	G099300	FLARED WASHER 20x3	NO	1
007	G096800	REVERSE GEAR PIN	NO	1
008	G096900	REVERSE GEAR PINION	NO	1
009	CC46900	SELF-LUBRICATING BUSH PCM 161820 B	NO	1
010	CC33600	SHIM PS 16x26x0.8	NO	1
011	CC21800	SELF-LOCKING BUSH PCM 121415 B	NO	1
012	G080200	PRIMARY PINION Z13	NO	1
013	CC18900	KEY 5x5x18 UNI 6604	NO	2
014	CC11200	BEARING 20x42x12 6004	NO	2
015	CC11400	SEEGER I42	NO	3
016	CC31500	SEEGER E20	NO	1
017	CC11500	SEALING RING 20x42x7 RP	NO	1
018	G083300	GASKETNOVUS 30 SUPRA	NO	1
019	G082700.1	GEARBOX COVER	NO	1
020	CC00700	VTCE M8x30 UNI 5931	NO	4
021	CC31300	SEEGER E16	NO	1
022	CC47300	SEALING RING 17x32x7	NO	1
023	CC15500	BEARING 17x40x12 6203	NO	1
024	G097100	REDUCING GEAR PINION	NO	1
025	G097300	SLIDING GEAR 1st SPEED	NO	1
026	G081400.2	NEUTRAL GEAR 2nd SPEED	NO	1
027	G099000	FORK 1st-2nd SPEED	NO	1
028	CC18500	BALL Ø ¼" (6,350)	NO	1
029	G099200	GEARBOX FORK SUPPORTING PIN	NO	1
030	CC07900	WASHER Ø 8 DIN 137 P	NO	3
031	CC08200	VTE M8x40 UNI 5737 PART. THREADED	NO	3
032	T097000	GEAR FORK SPRING 6x25	NO	1
033	G082800	GEAR CONTROL PULLEY	NO	1
034	CC08000	RPN U 6592 FE 12	NO	1
035	CC17300	DE LOW U 5589 M12 H7	NO	1
036	C039500	SHIM PS 12.2x24x0.5	NO	1



Pos.	Art.No.	Description	Qty
001	T097000	GEAR FORK SPRING 6x25	NO 1
002	CC18500	BALL Ø ¼" (6,350)	NO 1
003	G099100	SUPPORTING PIN FOR REDUCING GEAR FORK	NO 1
004	G098900	SLOW/FAST FORK	NO 1
005	G099500	SPACER 20x22x12.1	NO 1
006	CC18200	KEY 8x7x25 UNI 6604	NO 2
007	CC47100	KEY 8x7x20 UNI6604	NO 1
008	CC22700	FLEXIBLE PLUG DIN 1481 5x35	NO 2
009	CC47200	DOWEL UNI 5923 M8 x 8	NO 1
010	G099800	SPACER 35x27x25	NO 1
011	CC10400	BEARING 25x52x15 6205	NO 1
012	G099600	WHEEL AXLE SHAFT	NO 1
013	CC07100	SHIM PS 42x52x0.5	NO 1
014	CC05000	SEEGER I52	NO 1
015	CC31200	SEALING RING 25x52x8 RP	NO 1
016	CC16100	SHIM PS 25x35x1	NO 1
017	CC07700	VTCE M8x25 UNI 5931	NO 4
018	CC02700	RPN U 6592 FE 6	NO 2
019	CC12500	VTE M6x10 UNI 5739	NO 1
020	G098500	SPRING 33x40	NO 1
021	CC22600	SEEGER E 40	NO 1
022	CC20900	CENTREPLATE FOR BEARING LS 4060	NO 1
023	F073700	PIN SUPPORT FLANGE	NO 1
024	F073600	UNLOCKING PIN BRACKET	NO 1
025	G095700	UNLOCKING WHEEL HUB	NO 1
026	CC24700	SPECIAL WASHER 10x40x5	NO 1
027	CC16600	VTE M10x20 UNI 5739	NO 1
028	F086300	DUST COVER	NO 1
029	CC00800	DE ALTI U 5587 M8 H8	NO 1
030	CC01800	RPN U 6592 FE 8	NO 1
031	F072900	RIGHT FORK PIN 12x97 RH	NO 1
032	CC09200	DE ALTI U 5587 M6 H6	NO 1
033	F076800	UNLOCKING CONTROL LEVER	NO 1
034	F076600	CLAMP 7x20	NO 1
035	F081100	FORK MB 6DF01900	NO 1
036	CC22800	FLEXIBLE PLUG DIN 1481 5x20	NO 1
037	G085800	LEFT WHEEL UNLOCK CONTROL BRACKET	NO 1
038	CC01100	SELF-LOCKING B985 M6 H6	NO 4
039	G095800	UNLOCKING PIN	NO 4
040	CC23100	POINTED DOWEL BOLT VCE UNI 5927 M8x14	NO 1
041	CC32200	BASE PS 25x35x0.4	NO 1
042	G099700	SPACER 35x15x25	NO 1
043	G096400	FIXED REDUCING GEARBOX	NO 1
044	G096100	BUSH	NO 1
045	G096200	COLLAR	NO 1
046	G096300	FAST SPEED GEAR	NO 1

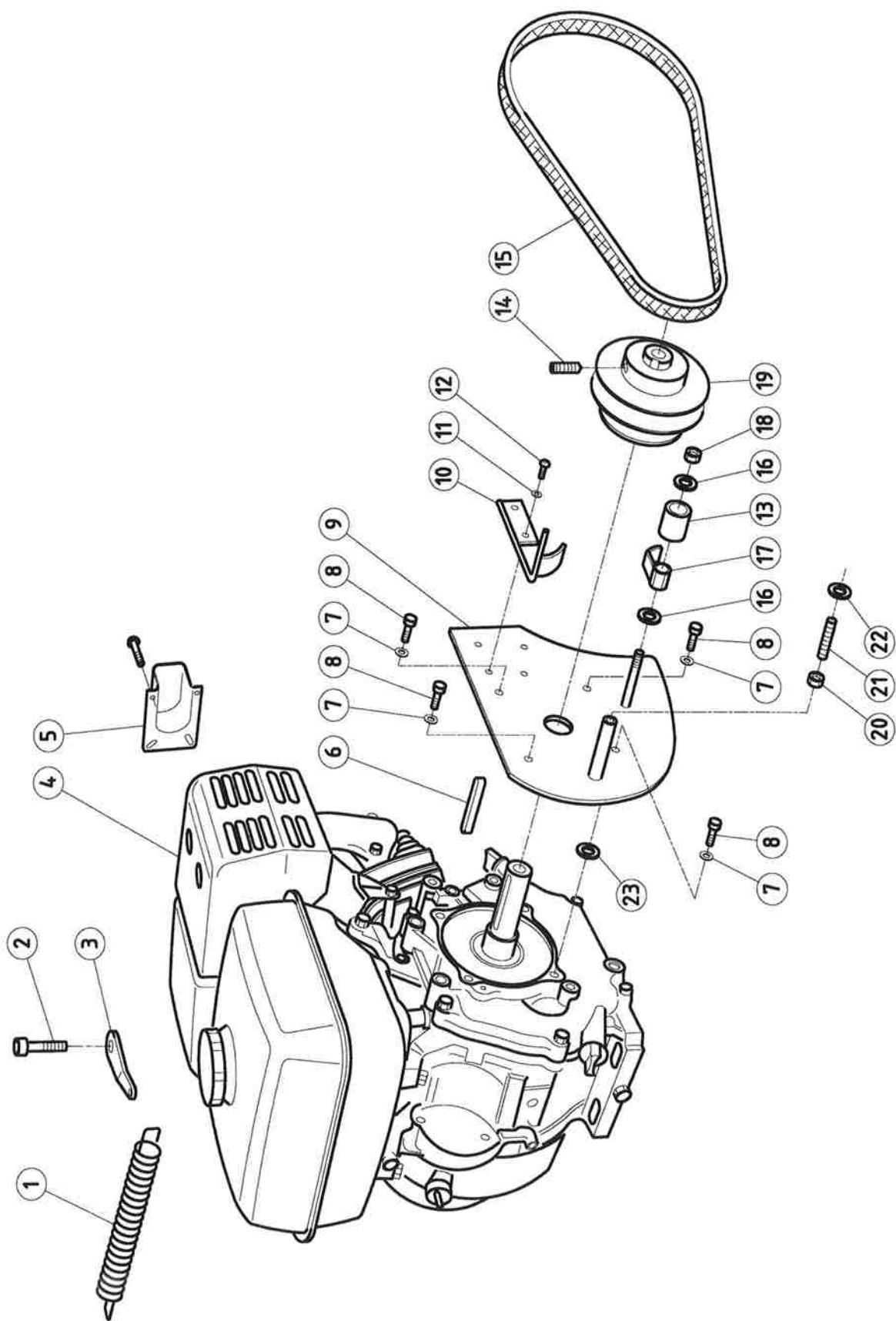


Pos.	Art.No.	Description	Qty
001	F086300	DUST COVER	NO 1
002	CC16600	VTE M10x20 UNI 5739	NO 1
003	CC24700	SPECIAL WASHER 10x40x5	NO 1
004	G095700	UNLOCKING WHEEL HUB	NO 1
005	F073600	UNLOCKING PIN BRACKET	NO 1
006	F073700	PIN SUPPORT FLANGE	NO 1
007	CC20900	CENTREPLATE FOR BEARING LS 4060	NO 1
008	CC22600	SEEGER E 40	NO 1
009	CC07700	VTCE M8x25 UNI 5931	NO 4
010	CC02700	RPN U 6592 FE 6	NO 2
011	CC12500	VTE M6x10 UNI 5739	NO 1
012	CC23100	POINTED DOWEL BOLT VCE UNI 5927 M8x14	NO 1
013	G095800	UNLOCKING PIN	NO 4
014	CC01100	SELF-LOCKING B985 M6 H6	NO 4
015	CC00800	DE ALTI U 5587 M8 H8	NO 1
016	CC01800	RPN U 6592 FE 8	NO 1
017	CC09200	DE ALTI U 5587 M6 H6	NO 1
018	F076800	UNLOCKING CONTROL LEVER	NO 1
019	F076600	CLAMP 7x20	NO 1
020	F083400	LEFT FORK PIN 12x97	NO 1
021	F081100	FORK MB 6DF01900	NO 1
022	CC22800	FLEXIBLE PLUG DIN 1481 5x20	NO 1
023	G099400	CONTROL SUPPORT OF LEFT WHEEL RELEASE	NO 1
024	CC32200	BASE PS 25x35x0.4	NO 2
025	G098500	SPRING 33x40	NO 1
026	CC16100	SHIM PS 25x35x1	NO 1
027	CC31200	SEALING RING 25x52x8 RP	NO 1
028	CC10400	BEARING 25x52x15 6205	NO 1
029	CC05000	SEEGER I52	NO 1

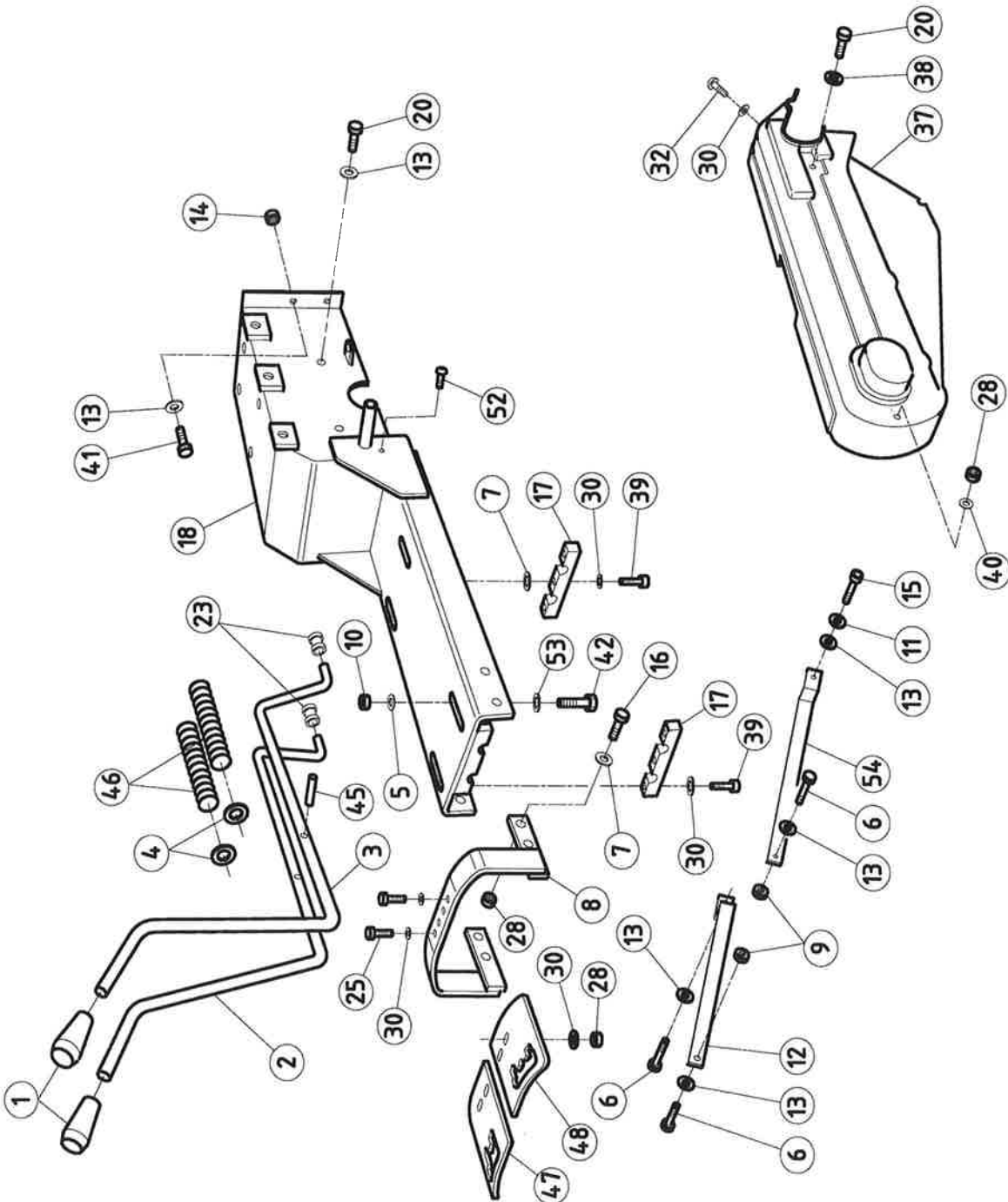


8304205

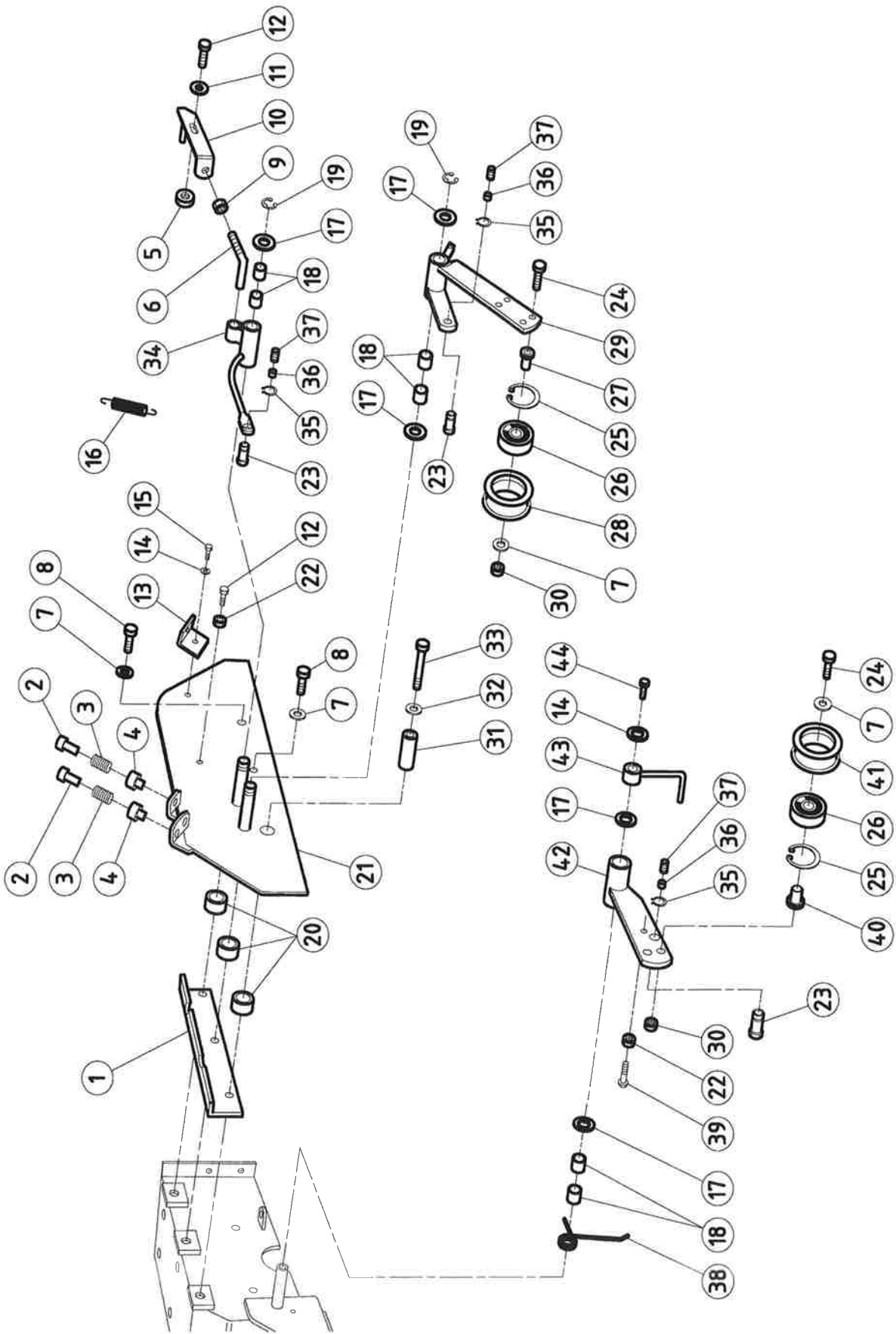
Pos.	Art.No.	Description	Qty
001	CC17300	DE LOW U 5589 M12 H7	NO 2
002	G098300	SPRING ADJUSTER M12x55	NO 1
003	H095500	SPRING 12.5x45	NO 1
004	G097600	BRAKE SHOE	NO 1
005	CC00800	DE ALTI U 5587 M8 H8	NO 1
006	G098000	BUSH 16x5x8	NO 1
007	CC02700	RPN U 6592 FE 6	NO 1
008	CC00400	VSP U 5933 M5x12	NO 1
009	G098400	SPRING FORK	NO 1
010	G098100	PIN 10x22	NO 1
011	G098600	BRAKE LEVER	NO 2
012	G098200	PIN 6x27	NO 1
013	CC27900	FIXING ELEMENT	NO 1
014	G095900	CLAMP	NO 1
015	G059500	BRAKE LEVER	NO 1
016	CC43000	SEEGERRING E10	NO 1
017	CC01800	RPN U 6592 FE 8	NO 2
018	CC08200	VTE M8x40 UNI 5737 PART. THREADED	NO 1
019	G097500	BRAKE PULLEY	NO 1
020	CC30100	WAVE WASHER Ø12 DIN 137	NO 1
021	G096000	CYLINDER DOWEL	NO 1
022	CC33800	DOWEL UNI 5923 M8x6	NO 1
023	CC08900	VTE M8x16 UNI 5739	NO 1
024	CC00500	VSP U 5933 M8x18	NO 1



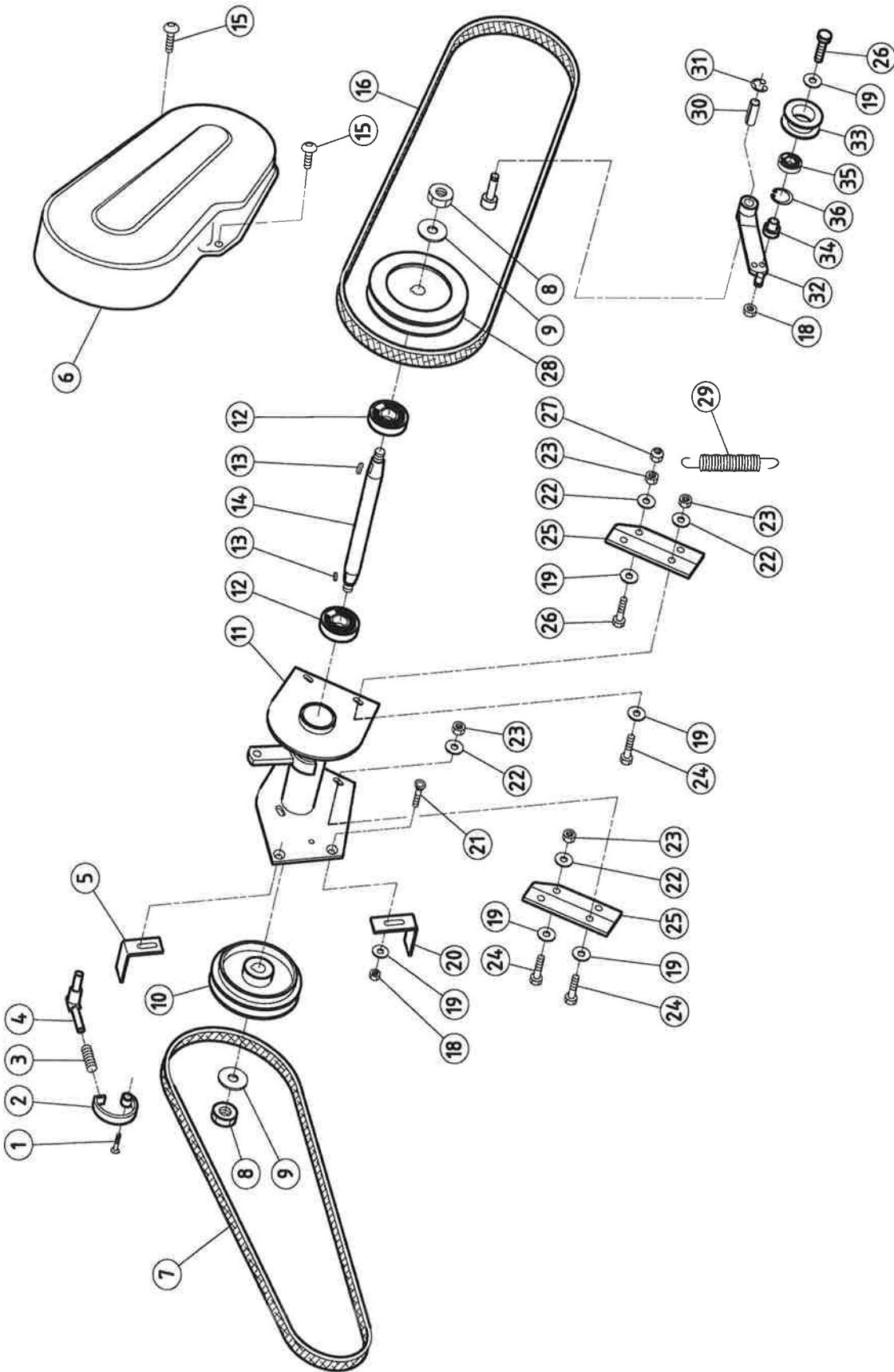
Pos.	Art.No.	Description	Qty
001	T096900	SPRING CABLE ACCELERATOR 8x48	NO 1
002	CC00400	VSP U 5933 M5x12	NO 1
003	V014600	PLATE SPRING ACCELERATOR	NO 1
004	CC22900	HONDA GX270 QH-Q4-OH 9HP ENGINE	NO 1
005	CC10701	DEFLECTOR GX 160 - 200	NO 1
006	CC29200	KEY 6.4x6.4x50	NO 1
007	CC01800	RPN U 6592 FE 8	NO 4
008	CC23300	VTE UNF 8.8 5/16x3/4" (mm19)	NO 4
009	G087000	ENGINE SIDE TIGHTENER SUPPORT	NO 1
010	G092200	BELT GUIDE	NO 1
011	CC02700	RPN U 6592 FE 6	NO 2
012	CC24900	VTCE BUTTON ISO 7380 6x08	NO 2
013	G092300	BUSH 30x23x10.2	NO 1
014	CC12800	DOWEL BOLT UNI 5923 M8x10	NO 1
X 015	G085600	TRAP.BELT DAYCO MEGADYNE XDV 48X420 <i>1/2x48</i>	NO 1
016	CC01400	RPN U 6592 FE 10	NO 2
017	G088600	BELT GUIDE SLIDING BLOCK	NO 1
018	CC17000	SELF-LOCK A982 M10 H11.5	NO 1
019	G082400	ENGINE PULLEY	NO 1
020	CC25600	DE LOW U 5589 M6 H4	NO 1
021	CC34200	DOWEL UNI 5923 M6x30	NO 1
022	CC01300	WASHER U 6593 6x18x1.5	NO 1
023	CC25900	SPLASHBOARD WASHER U 6593 8x24	NO 4



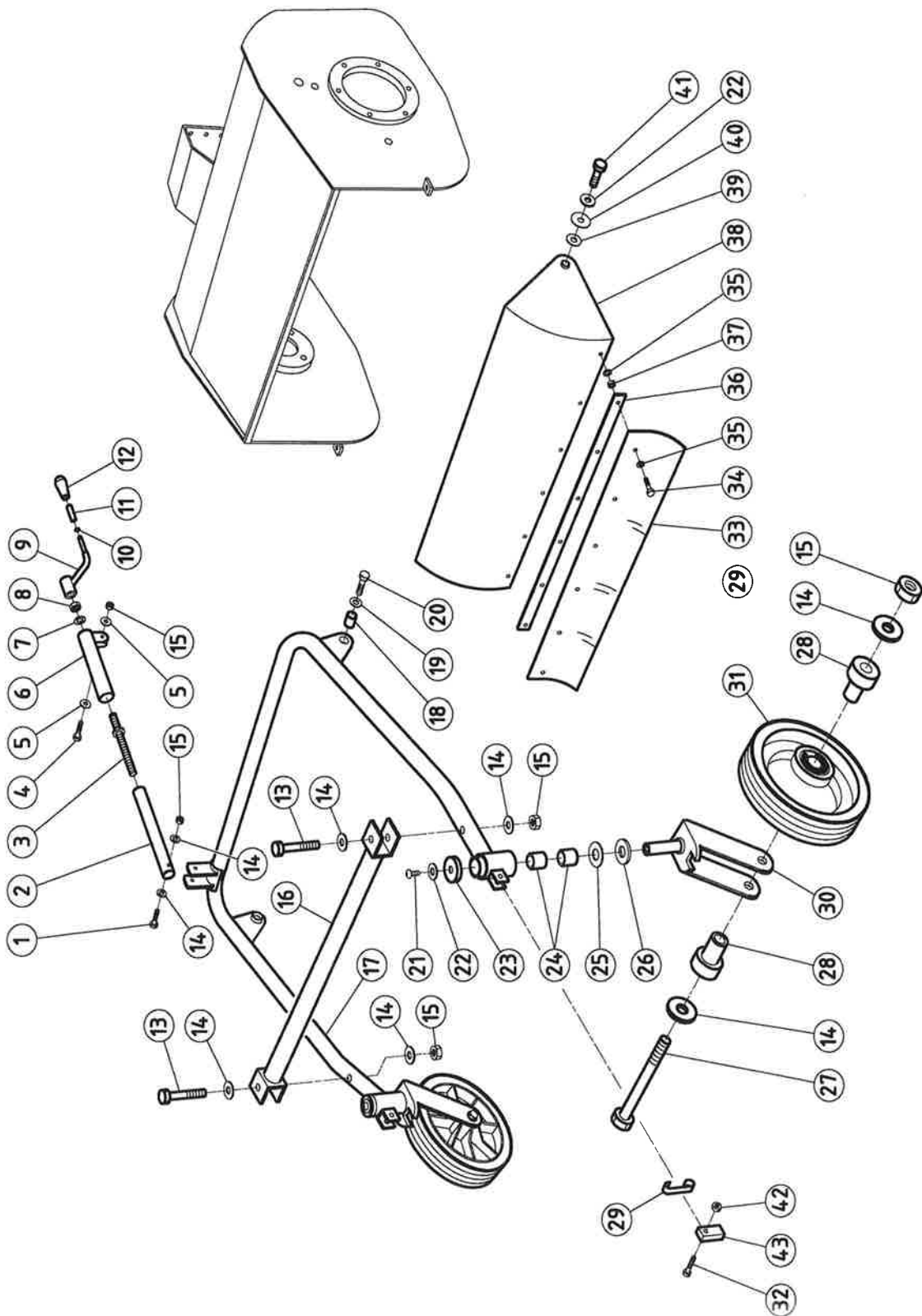
Pos.	Art.No.	Description	Qty
001	CC23500	PVC KNOB MOD. 1001/P D.12	NO 2
002	G059000	GEAR LEVER 4+1	NO 1
003	G058900	REVERSING LEVER 4+1	NO 1
004	C039500	SHIM PS 12.2x24x0.5	NO 2
005	CC16500	CRINKLED WASHER Ø 10x21 DIN 137	NO 4
006	CC05900	VTE M8x25 UNI 5739	NO 3
007	CC27000	CRINKLED WASHER DIAM. 6 DIN 137	NO 8
008	G097800	SELECTORS SUPPORT	NO 1
009	CC08300	SELF-LOCK A982 M8 H10	NO 2
010	CC16700	DE NORM U 5588 M10 H8	NO 4
011	CC13700	GROWER WASHER U 1751 NORM 8	NO 2
012	G057100	LEFT TIE-ROD	NO 1
013	CC01800	RPN U 6592 FE 8	NO 14
014	CC00800	DE ALTI U 5587 M8 H8	NO 6
015	CC27100	VTE M8x50 UNI 5737 PART THREADED	NO 1
017	G092100	GEAR LEVER SUPPORT	NO 2
018	G097700	ENGINE FRAME	NO 1
020	CC08900	VTE M8x16 UNI 5739	NO 3
023	G091700	VIBRATION DUMPER	NO 4
025	CC21200	VTE M6x18 UNI 5739	NO 6
028	CC01100	SELF-LOCKING B985 M6 H6	NO 7
030	CC02700	RPN U 6592 FE 6	NO 16
032	CC24900	VTCE BUTTON ISO 7380 6x08	NO 1
037	G091300	DRIVE BELT GUARD	NO 1
038	CC25900	SPLASHBOARD WASHER U 6593 8x24	NO 1
039	CC20700	VTCE M6x25 UNI 5931	NO 6
040	CC01300	WASHER U 6593 6x18x1.5	NO 1
041	CC10000	VTE M8x20 UNI 5739	NO 6
042	CC32500	VTCE M10x40 UNI 5931	NO 4
045	CC45600	ELASTIC PIN DIN 1481 3x20	NO 2
046	H095600	SPRING 17x120	NO 2
047	G059900	SPEED GEAR SELECTOR	NO 1
048	G059800	SLOW/FAST GEAR SELECTOR	NO 1
052	CC01000	VTCE BUTTON ISO 7380 6x12	NO 1
053	CC01400	RPN U 6592 FE 10	NO 4
054	G057200	RIGHT TIE-ROD	NO 1



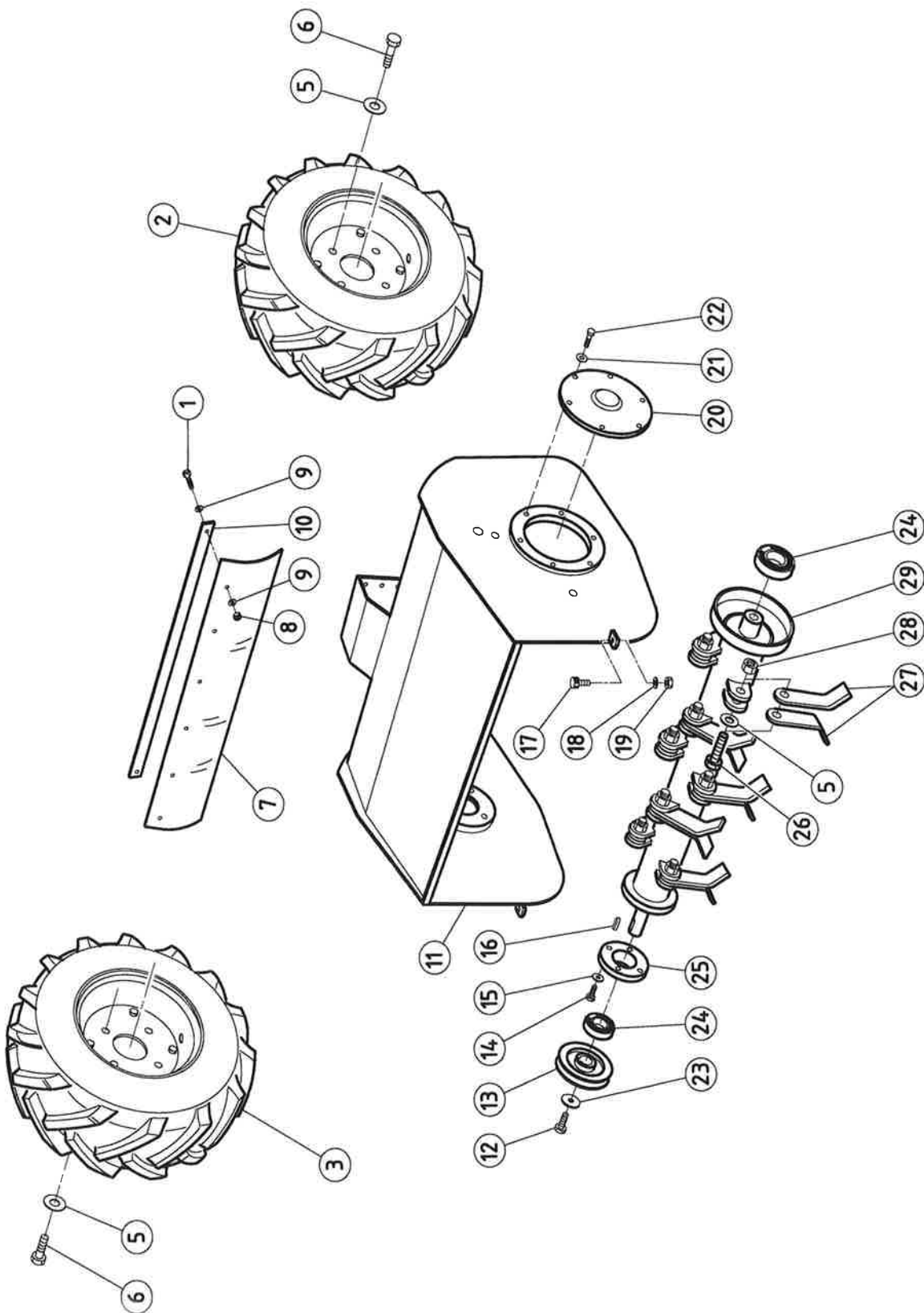
Pos.	Art.No.	Description	Qty	
001	G088700	TIGHTENER ROLLER SPACER SUPPORT	NO	1
002	F084600	WIRE GUIDE 12x25	NO	2
003	H095500	SPRING 12.5x45	NO	2
004	F084500	SPRING GUIDE 15x22	NO	2
005	CC25600	DE LOW U 5589 M6 H4	NO	1
006	F075700	BENT PIN	NO	1
✕ 007	CC01800	RPN U 6592 FE 8	NO	4
008	CC13500	VTE M8x35 UNI 5737 PERT THREADED	NO	2
009	CC00800	DE ALTI U 5587 M8 H8	NO	1
010	F069200	ROTOR BRAKE CONTROL	NO	1
011	CC01300	WASHER U 6593 6x18x1.5	NO	1
012	CC00100	VTCE BUTTON ISO 7380 6x16	NO	2
013	G091200	GUARD FIXING BRACKET	NO	1
014	CC02700	RPN U 6592 FE 6	NO	2
015	CC21300	VTE M6x12 UNI 5739	NO	1
✕ 016	T096800	CONTROL WIRES RETURN SPRING 10x50	NO	1
017	CC33100	SHIM PS 12.2x24x0.8	NO	5
018	CC21800	SELF-LOCKING BUSH PCM 121415 B	NO	6
019	CC19800	FLEXIBLE RADIAL RING D10 UNI 7434	NO	2
020	G089600	BUSH 22x15.5x8.5	NO	3
021	G094500	ROLLER CONTROL TIGHTENER SUPPORT	NO	1
022	CC09200	DE ALTI U 5587 M6 H6	NO	2
023	G095900	CLAMP	NO	3
024	CC13400	VTE M8x30 UNI 5739	NO	2
025	CC05800	SEEGER I32	NO	2
026	CC05700	BEARING 12x32x10 6201- 2RS	NO	2
027	G086900	BUSH 16x17.5x8	NO	1
028	G082500	TIGHTENER ROLLER	NO	1
029	G094800.1	ROLLER TIGHTENER	NO	1
030	CC00200	DE NORM U 5588 M8 H 6.5	NO	2
031	G086600	BUSH 14x24x8,2	NO	1
032	CC07900	WASHER Ø 8 DIN 137 P	NO	1
033	CC33900	VTE M8x60 UNI 5737 PART THREADED	NO	1
034	G094900.1	ROTOR BRAKE CONTROL	NO	1
035	CC43000	SEEGERRING E10	NO	3
036	G096000	CYLINDER DOWEL	NO	3
037	CC33800	DOWEL UNI 5923 M8x6	NO	3
038	F074300	CONTROL RETURN SPRING 1" - 2"	NO	1
039	CC21200	VTE M6x18 UNI 5739	NO	1
040	C035400	BUSH 16x16.5 HOLE 8	NO	1
041	C035300	BUSH 50x20 HOLE 28	NO	1
042	G086400.2	TIGHTENER	NO	1
043	D041900	BELT GUIDE	NO	1
044	CC09500	VTE M6x14 UNI 5739	NO	1



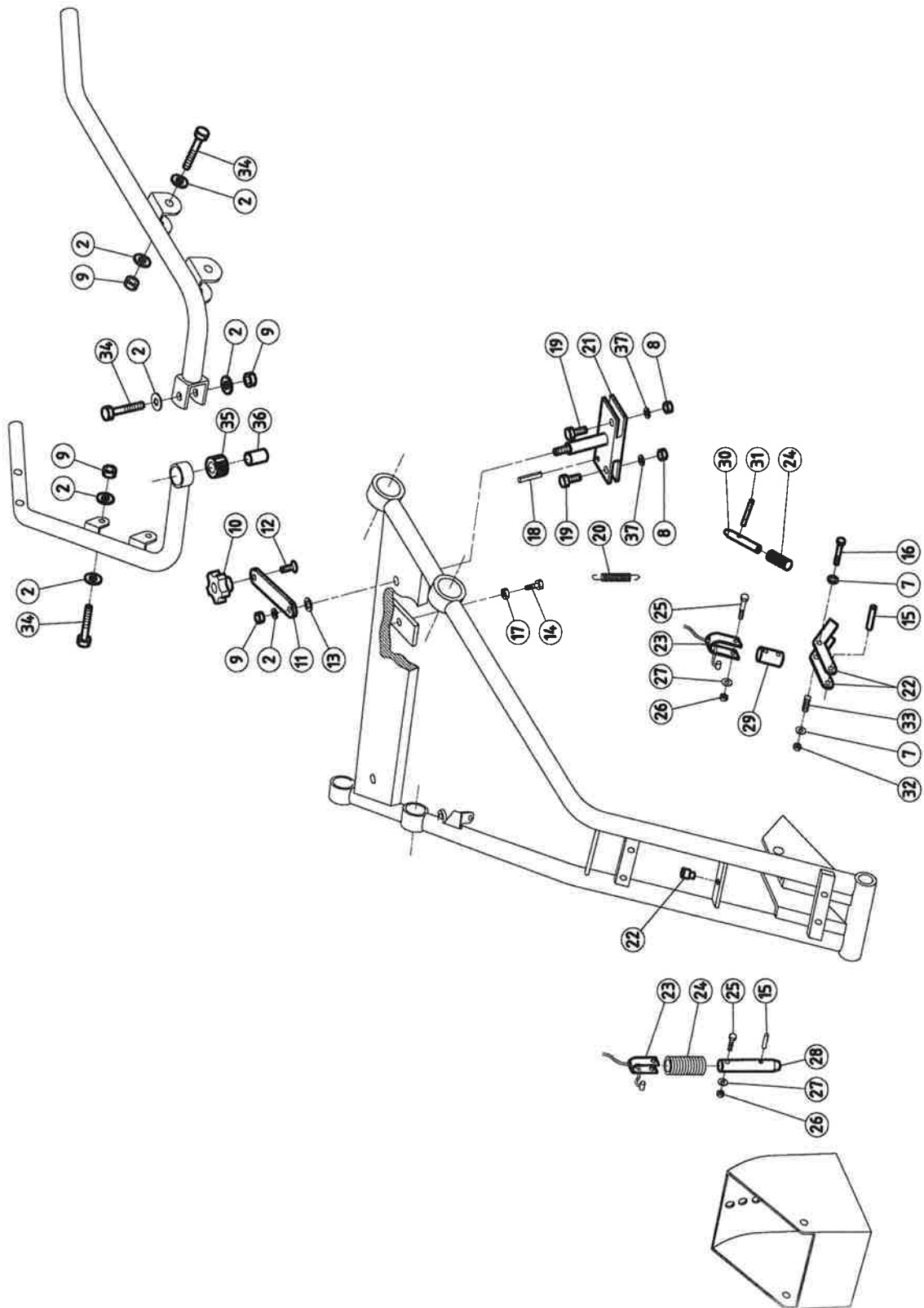
Pos.	Art.No.	Description	Qty
001	CC00400	VSP U 5933 M5x12	NO 1
002	C030700	BRAKE BLOCK	NO 1
003	CC34500	SPRING 13x32 CF	NO 1
004	C030800	SPRING BRACKET	NO 1
005	F080900	BELT GUIDE	NO 1
006	G091400	ROLLER BELT PROTECTING HOUSING	NO 1
007	G085400	TRAP.BELT DYCO MEGADYNE XDV 58x550	NO 1
008	CC26500	DE NORM U 5588 M12 H10	NO 2
009	CC08000	RPN U 6592 FE 12	NO 2
010	G082000	BRAKE SIDE PULLEY	NO 1
011	G087500	PULLEY SUPPORT	NO 1
012	CC22300	BEARING 20x42x12 6004 2RS1	NO 2
013	CC15000	KEY 5x5x20 UNI 6604	NO 2
014	G082300	SHAFT	NO 1
015	CC24900	VTCE BUTTON ISO 7380 6x08	NO 4
016	G085500	TRAP BELT DYCO MEGADYNE XDV 58x430	NO 1
018	CC00200	DE NORM U 5588 M8 H 6.5	NO 2
019	CC01800	RPN U 6592 FE 8	NO 11
020	G090900	BELT GUIDE BRACKET	NO 1
021	CC02200	VSP U5933 M8x16	NO 2
022	CC07900	WASHER Ø 8 DIN 137 P	NO 8
023	CC00800	DE ALTI U 5587 M8 H8	NO 8
024	CC10000	VTE M8x20 UNI 5739	NO 7
025	G087700	DRIVING GEAR BRACKET	NO 2
026	CC13400	VTE M8x30 UNI 5739	NO 2
027	CC08300	SELF-LOCK A982 M8 H10	NO 1
028	G083000	PULLEY	NO 1
029	E055500	SPRING	NO 1
030	CC05400	SELF-LUBRICATING BUSH PCM 121425 B	NO 1
031	CC19800	FLEXIBLE RADIAL RING D10 UNI 7434	NO 1
032	G086500	HOLD BELT ROLL	NO 1
033	G082500	TIGHTENER ROLLER	NO 1
034	G086900	BUSH 16x17.5x8	NO 1
035	CC05700	BEARING 12x32x10 6201- 2RS	NO 1
036	CC05800	SEEGER I32	NO 1



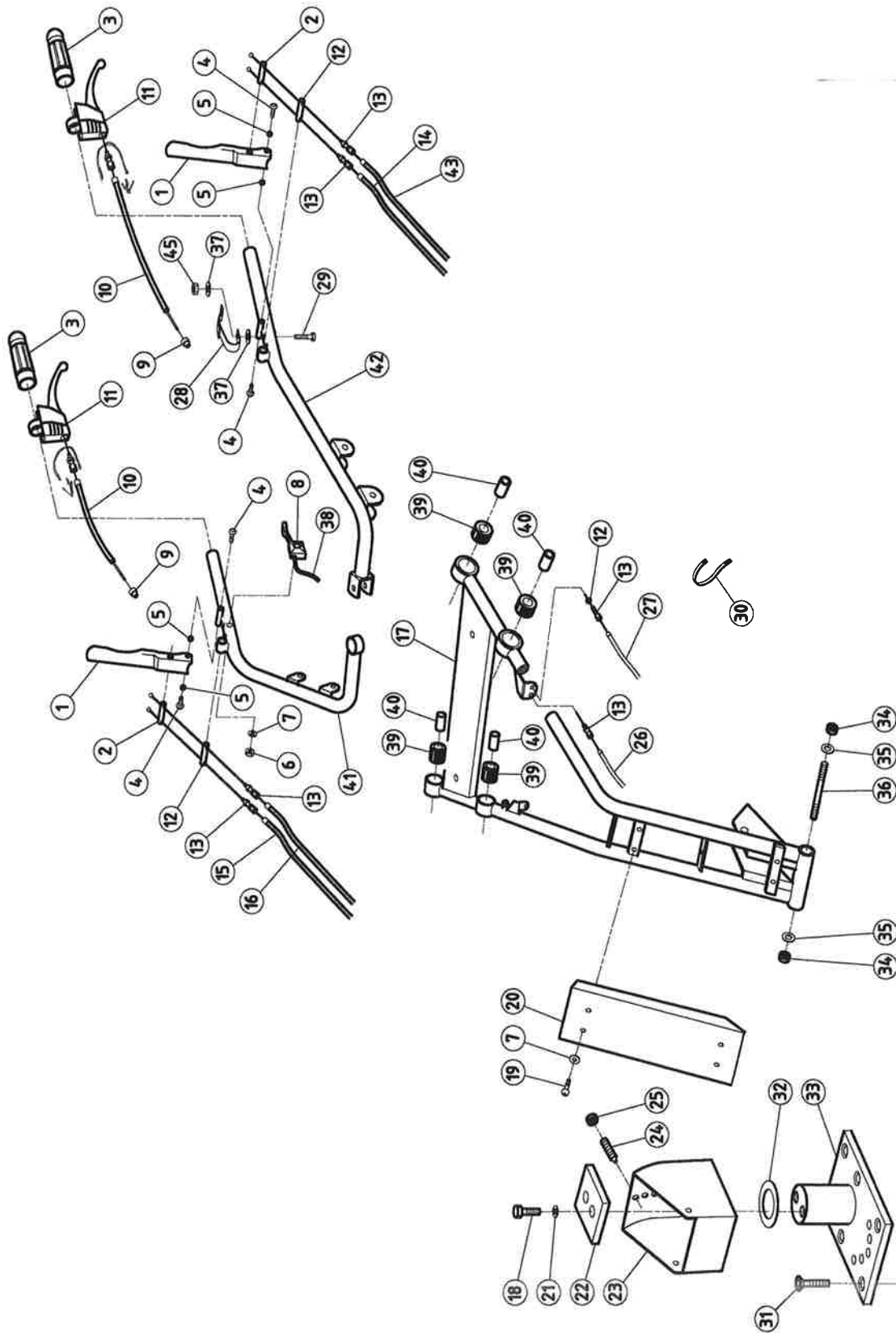
Pos.	Art.No.	Description	Qty
001	CC27100	VTE M8x50 UNI 5737 PART THREADED	NO 1
002	F084100	ADJUSTMENT POST	NO 1
003	F084200	ADJUSTMENT SCREW	NO 1
004	F085600	SCREW CC27200 CUT TO mm 47	NO 1
005	CC07900	WASHER Ø 8 DIN 137 P	NO 2
006	F084000	ADJUSTMENT POST BRACKET	NO 1
007	C033700	SHIM PS 12,2x24x0.8	NO 1
008	CC17300	DE LOW U 5589 M12 H7	NO 1
009	F074100	ADJUSTMENT HAND LEVER	NO 1
010	F083700	STOP RING	NO 1
011	F083800	BUSH Ø 10x39.5 HOLE 8	NO 1
012	CC18700	PVC KNOB MOD. 1001/P. D10	NO 1
013	CC33900	VTE M8x60 UNI 5737 PART THREADED	NO 2
014	CC01800	RPN U 6592 FE 8	NO 10
015	CC08300	SELF-LOCK A982 M8 H10	NO 6
016	G091500	FRONT GUARD	NO 1
017	G086000	FRONT WHEEL SUPPORT	NO 1
018	G092900	BUSHING 16X26.6X12	NO 2
019	CC30100	WAVE WASHER Ø12 DIN 137	NO 2
020	CC37100	VTE M12x40 UNI 5739	NO 2
021	CC01900	VTCE BUTTON ISO 7380 8x12	NO 2
022	CC25900	SPLASHBOARD WASHER U 6593 8x24	NO 4
023	F083900	COVER	NO 2
024	T098300	BRONZE SELF-LUBRICATING BUSH 16x20x22	NO 4
025	CC20800	CENTREPLATE FOR BEARING AS 1730	NO 2
026	F072200	NYLON WASHER 16x30x3	NO 2
027	CC39400	VTE M8x110 UNI 5737	NO 2
028	G089400	BUSH 30x34x8,5	NO 4
029	H093600	SPRING	NO 2
030	G093100	FRONT WHEEL FORK	NO 2
031	D041400	WHEEL GDI 099 M4 HOLE 20 HUB 52	NO 2
032	CC37300	VTE M6x35 UNI 5737	NO 2
033	G085200	FRONT PROT . STRIP 100x746	NO 1
034	CC12700	VTE M5x20 UNI 5739	NO 7
035	CC04600	RPN U 6592 FE 5	NO 14
036	G090700	FIXING PLATE FOR FIXING RUBBER STRIP	NO 1
037	CC09800	SELF-LOCK A982 M5 H6.5	NO 7
038	G081900	FRONT GUARD	NO 1
039	F084400	BUSH 16x8x4	NO 2
040	CC26300	CUP SPRING 16.1x28x0.6	NO 2
041	CC08900	VTE M8x16 UNI 5739	NO 2
042	CC16900	SELF-LOCKING A982 M6 H8	NO 2
043	H093700	FORK PIVOT	NO 2



Pos.	Art.No.	Description	Qty
001	CC12700	VTE M5x20 UNI 5739	NO 7
002	G059200	LEFT WHEEL 16.650x8"	NO 1
003	G080100	RIGHT WHEEL 16.650x8"	NO 1
005	CC16500	CRINKLED WASHER Ø 10x21 DIN 137	NO 28
006	CC16600	VTE M10x20 UNI 5739	NO 8
007	G085300	REAR PROT. STRIP 120x732	NO 1
008	CC09800	SELF-LOCK A982 M5 H6.5	NO 7
009	CC04600	RPN U 6592 FE 5	NO 14
010	G090700	FIXING PLATE FOR FIXING RUBBER STRIP	NO 1
011	G081800	FLAIL MOWER BONNET	NO 1
012	CC25200	VTE M10x25 UNI 5739	NO 1
013	G082900	ROLLER CONTROL PULLEY	NO 1
014	CC08900	VTE M8x16 UNI 5739	NO 4
015	CC01800	RPN U 6592 FE 8	NO 4
016	CC05200	KEY 8x7x30 UNI 6604	NO 1
017	CC23700	VIBRATION DUMPER P20x7 SP 16 6MA SH70 283/010	NO 2
018	CC07000	GROWER WASHER U 1751 NORM 6	NO 2
019	CC01100	SELF-LOCKING B985 M6 H6	NO 2
020	F074000	ROLLER BRACKET LEFT COVER	NO 1
021	CC02700	RPN U 6592 FE 6	NO 6
022	CC09500	VTE M6x14 UNI 5739	NO 6
023	CC24700	SPECIAL WASHER 10x40x5	NO 1
024	CC04900	BEARING 25x52x15 6205- 2RS1	NO 2
025	F071500	RIGHT ROLLER BRACKET	NO 1
026	F083000	SCREW M10x36 PART. SMOOTH 24mm	NO 20
027	F075400	FLAIL	NO 40
028	CC45500	NUT CONE-LOCK M10 DIN980	NO 20
029	G081700	ROLLER	NO 1



Pos.	Art.No.	Description	Qty	
002	CC01800	RPN U 6592 FE 8	NO	11
007	CC02700	RPN U 6592 FE 6	NO	2
008	CC09200	DE ALTI U 5587 M6 H6	NO	2
009	CC08300	SELF-LOCK A982 M8 H10	NO	6
010	CC38800	HAND WHEEL	NO	1
011	G090000	CONTROL LEVER	NO	1
012	CC02200	VSP U5933 M8x16	NO	1
013	CC08000	RPN U 6592 FE 12	NO	1
014	CC00100	VTCE BUTTON ISO 7380 6x16	NO	1
015	CC22800	FLEXIBLE PLUG DIN 1481 5x20	NO	2
016	CC14100	VTE M6x45 UNI 5737 PART THREADED	NO	1
017	CC25600	DE LOW U 5589 M6 H4	NO	1
018	CC24800	FLEXIBLE PLUG DIN 1481 3x10	NO	1
019	T092100	KEY CLAMP 10x20 M6	NO	2
020	T096800	CONTROL WIRES RETURN SPRING 10x50	NO	1
021	G088400	HANDLEBAR ADJUSTMENT CONTROL ELEMENT	NO	1
022	F080100	HANDLE ADJ. LEVER EX F075603	NO	2
023	G089900	FORK	NO	2
024	F076100	SPRING 12.5x38	NO	2
025	CC21400	VTCE M5x25 UNI 5931	NO	2
026	CC09800	SELF-LOCK A982 M5 H6.5	NO	2
027	CC04600	RPN U 6592 FE 5	NO	2
028	G089500	PIN 12x96	NO	1
029	G090800	PIN 12x36	NO	1
030	F076000	PIN 12x98	NO	1
031	CC22700	FLEXIBLE PLUG DIN 1481 5x35	NO	1
032	CC16900	SELF-LOCKING A982 M6 H8	NO	1
033	C032900	SPRING Ø 8.5X26	NO	1
034	CC27100	VTE M8x50 UNI 5737 PART THREADED	NO	5
035	T099100	VIBRATION DUMPER 30x12x28 ST00238/10	NO	1
036	F086500	BUSH 12x8x28	NO	1
037	M063500	CLAMP SPACER 9x4x6	NO	2



Pos.	Art.No.	Description	Qty
	001	H095800 LEVER	NO 2
	002	H096100 PIVOT 10x47	NO 2
	003	T096200 TUBE GRIP Ø 26 1MA08010	NO 2
	004	CC32800 VTCE BUTTON ISO 7380 M6x10	NO 4
	005	H096300 BUSHING 8x2.5x6	NO 4
	006	CC16900 SELF-LOCKING A982 M6 H8	NO 1
	007	CC02700 RPN U 6592 FE 6	NO 5
	008	T096000 THROTTLE 1AG00215	NO 1
	009	F079500 SHEATH BUSHING 8 03806060	NO 2
✓	010	G095400 CONTROL CABLE FOR WHEEL UNLOCKING	NO 2
	011	F079300 SINGLE LEVER STROKE 16 D.25/28 1LA00010	NO 2
	012	H096200 PIVOT 10x47 M6	NO 2
✓	013	F079800 ADJUSTER M6x40 CH.10 HOLE 8.3 0384214	NO 6
✓	014	G095300 ROTOR ENGAGEMENT CABLE	NO 1
✓	015	G095100 ADVANCEMENT CABLE	NO 1
✓	016	G095200 ADVANCEMENT BRAKE CABLE	NO 1
	017	G092600 HANDLEBAR	NO 1
	018	CC08900 VTE M8x16 UNI 5739	NO 2
	019	CC24900 VTCE BUTTON ISO 7380 6x08	NO 4
	020	G090500 HANDLEBAR GUARD	NO 1
	021	CC01800 RPN U 6592 FE 8	NO 2
	022	G089800 HANDLEBAR SUPPORT FIXING COVER	NO 1
	023	G087600 HANDLEBAR SUPPORT	NO 1
	024	CC26200 DOWEL BOLT UNI 5925 M8x25 CYL. HEAD	NO 1
	025	CC00800 DE ALTI U 5587 M8 H8	NO 1
✓	026	G089100 HANDLEBAR HEIGHT ADJUSTMENT CABLE	NO 1
✓	027	G089200 ✓ HANDLEBAR SIDE-ADJUSTMENT CABLE	NO 1
	028	H095700 ROTOR ENGAGE UNHOOKING	NO 1
	029	CC37300 VTE M6x35 UNI 5737	NO 1
	030	CC24500 BLACK PLASTIC CABLE STRAP	NO 1
	031	CC01600 VSP U 5933 M8x20	NO 6
	032	CC07100 SHIM PS 42x52x0.5	NO 1
	033	G087800 LOWER SUPPORT	NO 1
	034	CC17000 SELF-LOCK A982 M10 H11.5	NO 2
	035	CC16500 CRINKLED WASHER Ø 10x21 DIN 137	NO 2
	036	F077900 TIE-ROD 10x146	NO 1
	037	CC01300 WASHER U 6593 6x18x1.5	NO 2
	038	T095900 ACCELER. CABLE SEHEAT mm1010 wire mm 140	NO 1
	039	T099100 VIBRATION DUMPER 30x12x28 ST00238/10	NO 4
	040	F086500 BUSH 12x8x28	NO 4
	041	G095500 HANDLEBAR RH (new)	NO 1
	042	G095600 HANDLEBAR LH (new)	NO 1
✓	043	G059100 ROTOR BRAKE CABLE	NO 1
	045	CC01100 SELF-LOCKING B985 M6 H6	NO 1